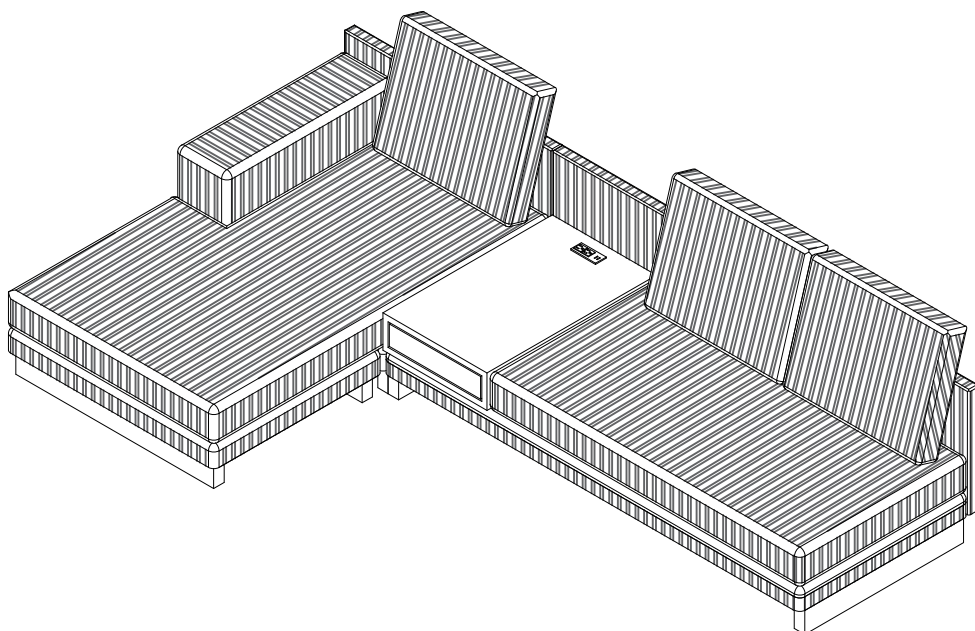
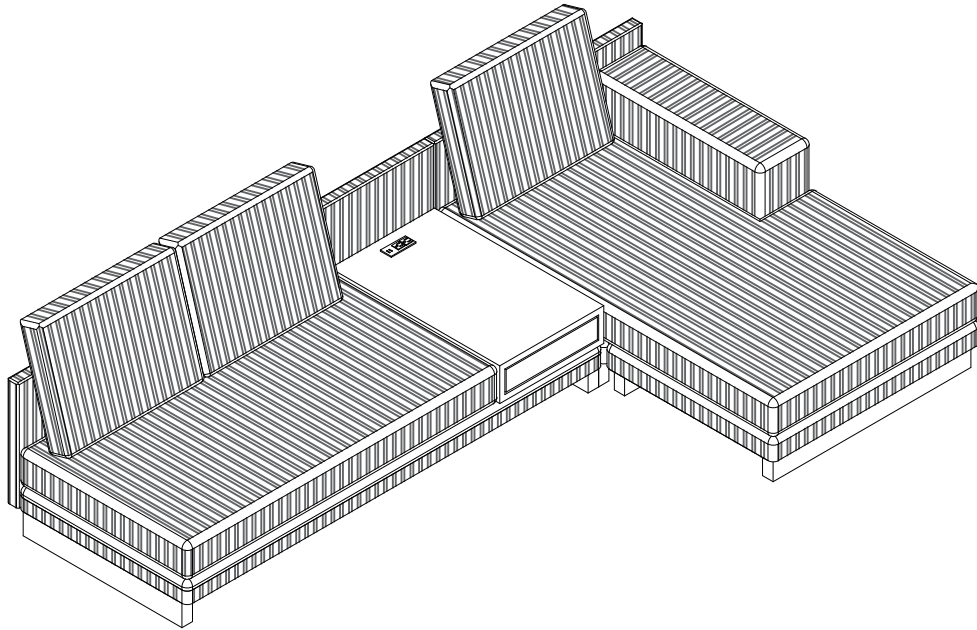


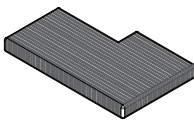
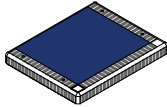

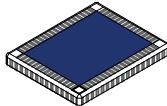

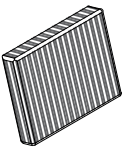


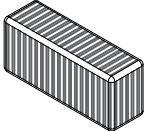



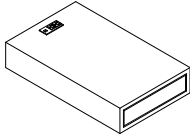

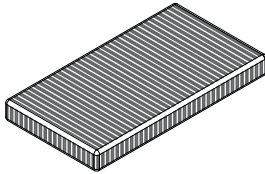
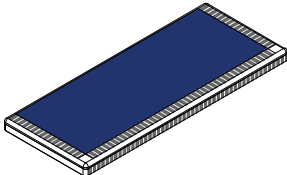


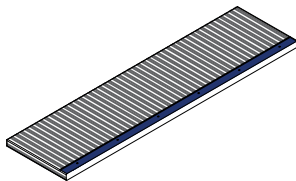



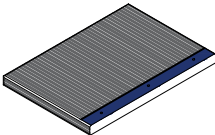
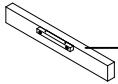
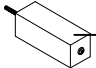
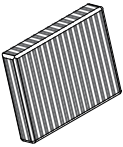


# ASSEMBLY INTRUCTION

---

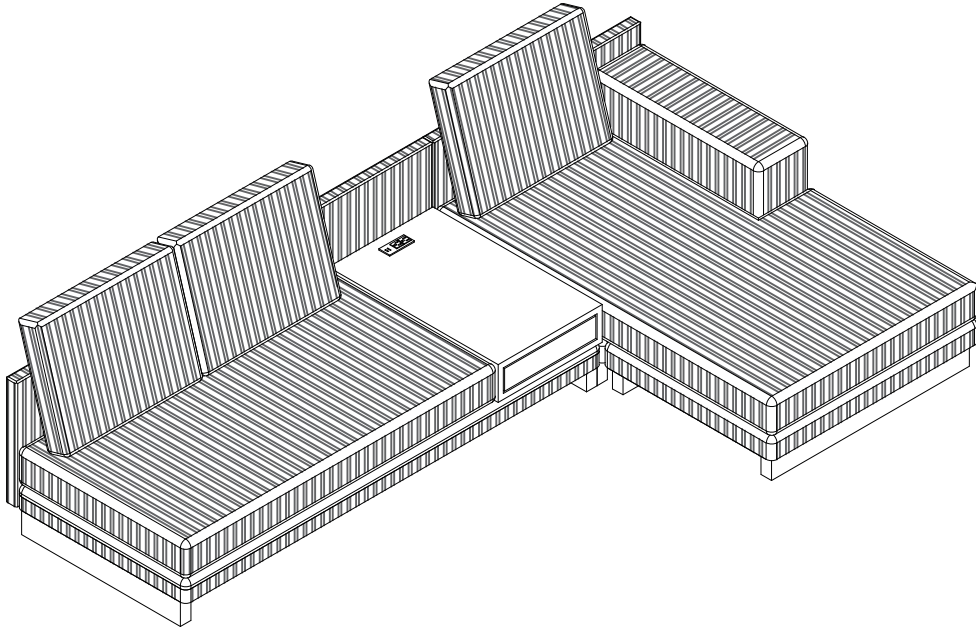
ITEM NO: WF323822/23/24/25



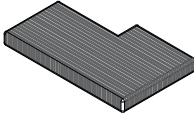
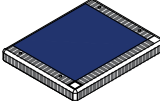
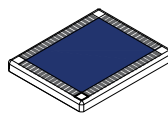
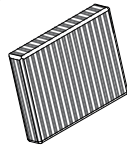
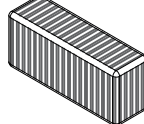
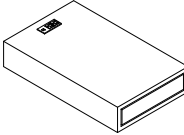
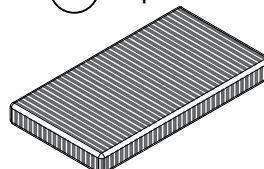
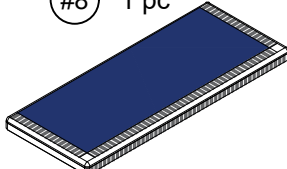
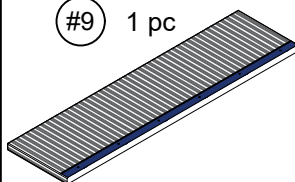
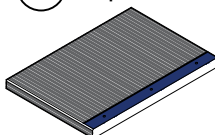
# SOFA is packed in 4 cases

Carton	Disignation	Part			Hardware&Leg
1/4 WF323822	CHAISE CUSHION	#1		1 PC	
2/4 W323823	CHAIR SEAT FRAME	#2		1 PC	 (#A) X1 PC
	OTTOMAN SEAT FRAME	#3		1 PC	 (#B) X1 PC
	BACK CUSHION	#4		2 PCS	 (#C) X8 PCS  (#D) X4 PCS
	CHAIR ARM	#5		1 PC	 (#E) X5 PCS  (#F) X21 PCS  (#G) X21 PCS
	STORAGE BOX	#6		1 PC	 (#K) X8 PCS
3/4 W323824	SOFA CUSHION	#7		1 PC	
4/4 W323825	SOFA SEAT FRAME	#8		1 PC	 (#C) X4 PCS  (#D) X6 PCS
	SOFA BACKREST	#9		1 PC	 (#E) X6 PCS  (#F) X14 PCS  (#G) X14 PCS
	CHAIR BACKREST	#10		1 PC	 (#H) X6 PCS  (#I) X1 PC
	BACK CUSHION	#11		1 PC	 (#J) X1 PC  (#K) X4 PCS

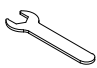
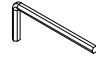





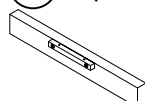
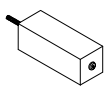


# ASSEMBLY INTRUCTION



## PART

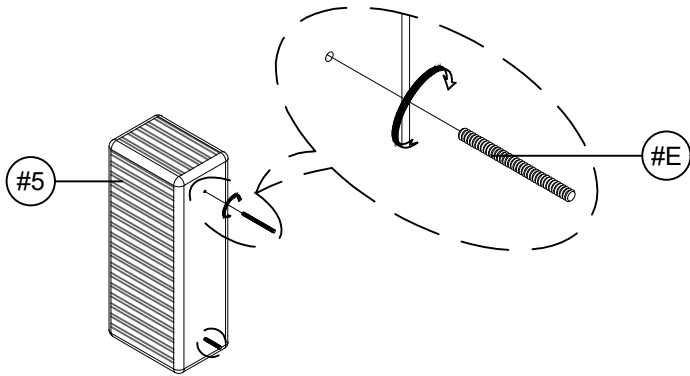
<p>#1 1 pc</p>  <p>CHAISE CUSHION</p>	<p>#2 1 pc</p>  <p>CHAIR SEAT FRAME</p>	<p>#3 1 pc</p>  <p>OTTOMAN SEAT FRAME</p>	<p>#4 3 pcs</p>  <p>BACK CUSHION</p>
<p>#5 1 pc</p>  <p>CHAIR ARM</p>	<p>#6 1 pc</p>  <p>STORAGE BOX</p>	<p>#7 1 pc</p>  <p>SOFA CUSHION</p>	<p>#8 1 pc</p>  <p>SOFA SEAT FRAME</p>
<p>#9 1 pc</p>  <p>SOFA BACKREST</p>	<p>#10 1 pc</p>  <p>CHAIR BACKREST</p>		

## HARDWARE/LEGS

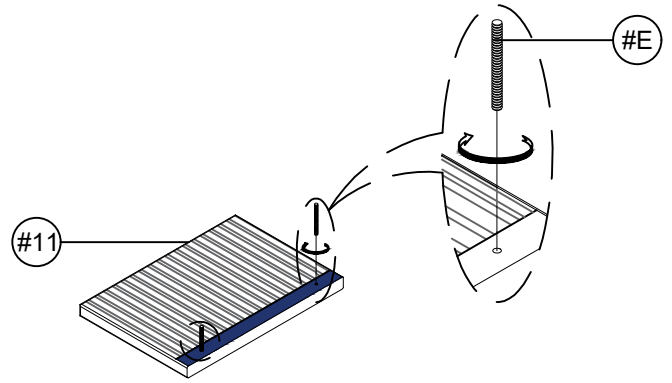
<p>#A 1 pc</p>  <p>WRENCH</p>	<p>#B 1 pc</p>  <p>ALLEN KEY</p>	<p>#C 12 pcs</p>  <p>HEX-BOLT 5/16 x 50mm</p>	<p>#D 11 pcs</p>  <p>NUT</p>	<p>#E 11 pcs</p>  <p>WHOLE TOOTH 5/16 x 90mm</p>	<p>#F 35 pcs</p>  <p>FLAT WASHER</p>	<p>#G 35 pcs</p>  <p>SPRING WASHER</p>
<p>#H 6 pcs</p>  <p>LEG</p>	<p>#I 1 pc</p>  <p>LEG</p>	<p>#J 1 pc</p>  <p>PLASTIC WASHER</p>	<p>#K 12 pcs</p>  <p>HEX-BOLT 5/16 x 100mm</p>			

# ASSEMBLY INTRUCTION

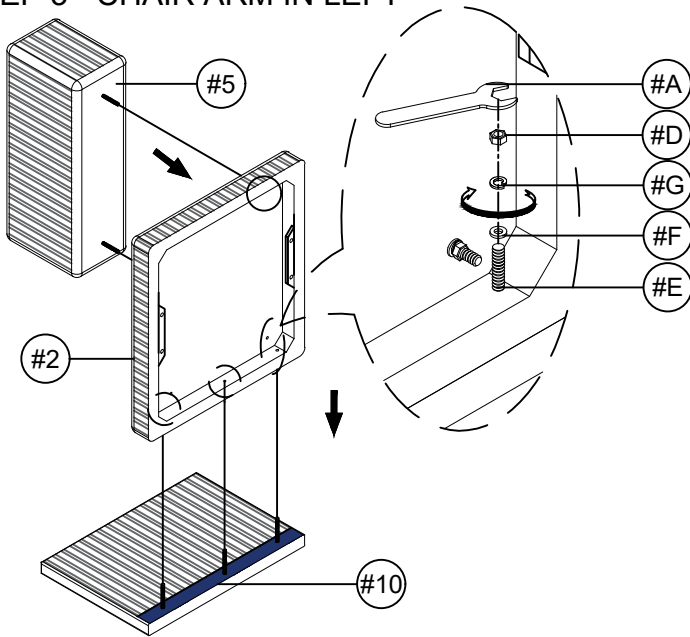
STEP 1



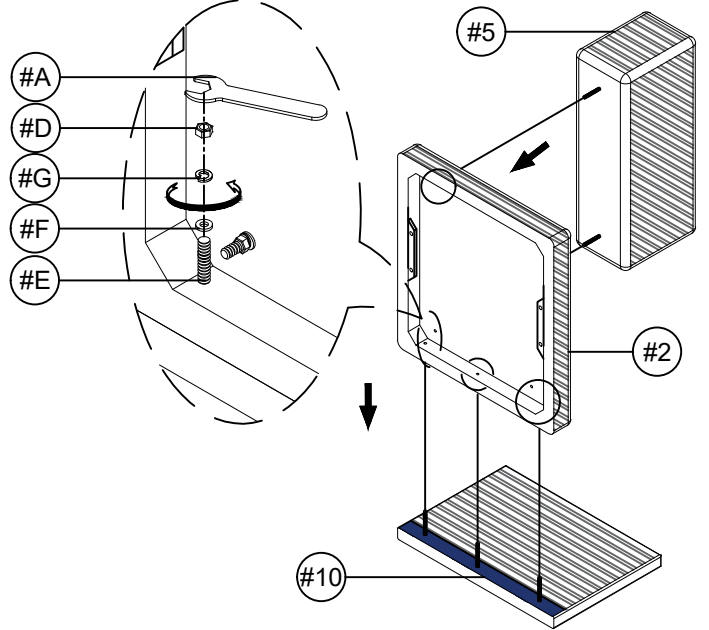
STEP 2



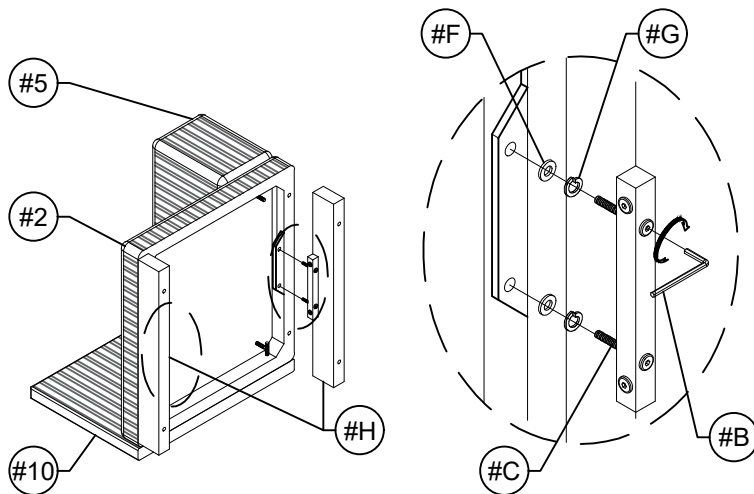
STEP 3 - CHAIR ARM IN LEFT



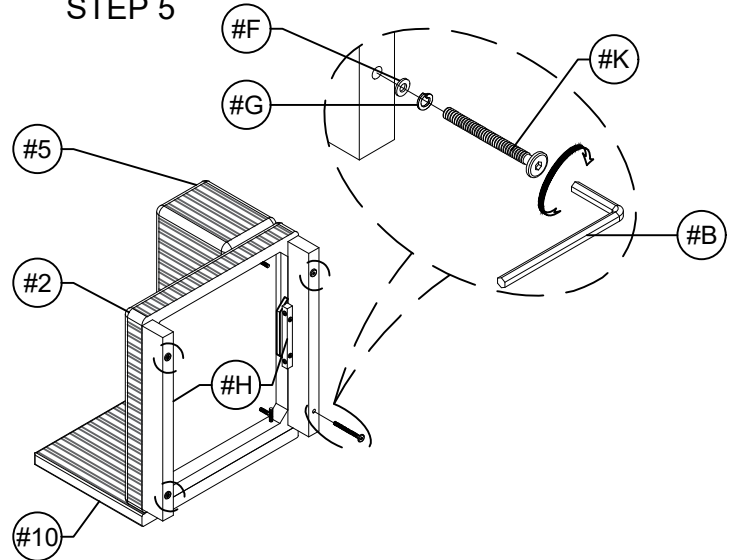
STEP 3 - CHAIR ARM IN RIGHT



STEP 4

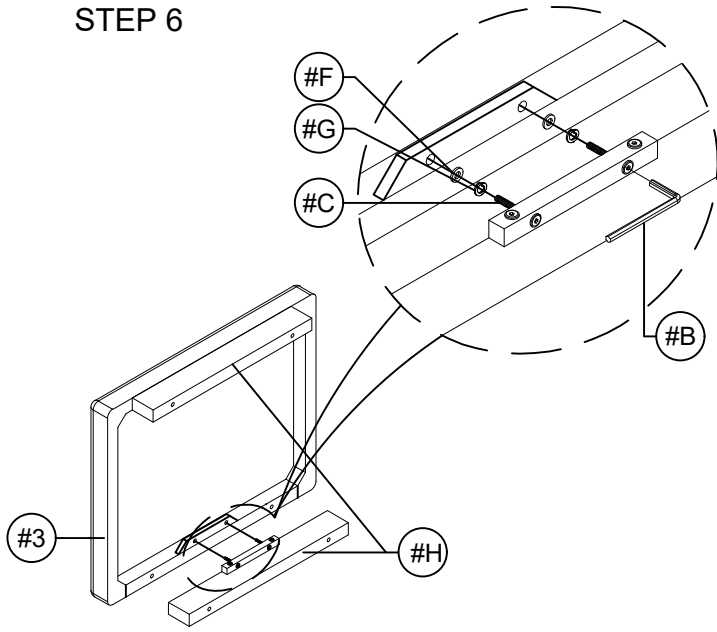


STEP 5

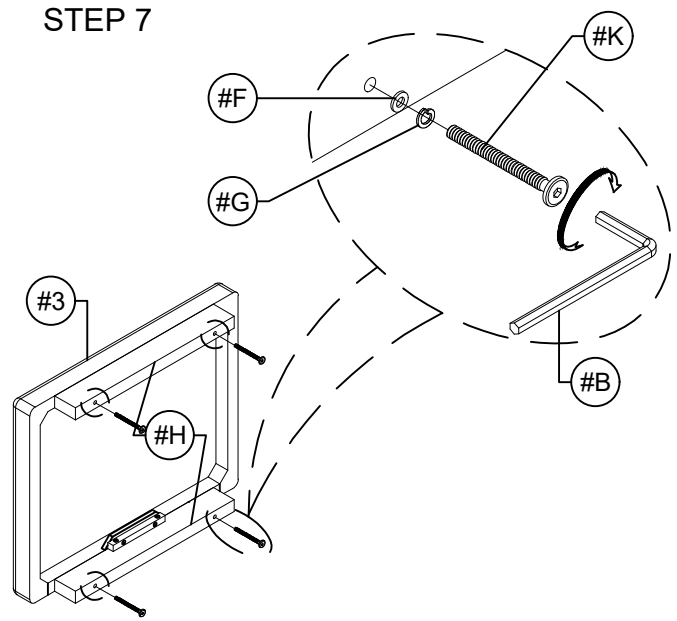


# ASSEMBLY INTRUCTION

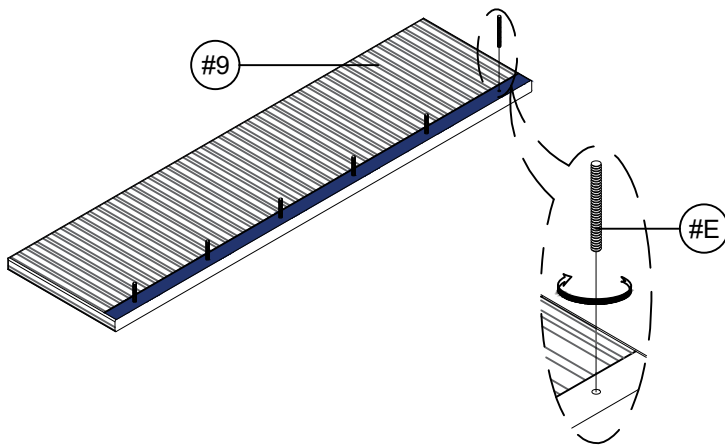
STEP 6



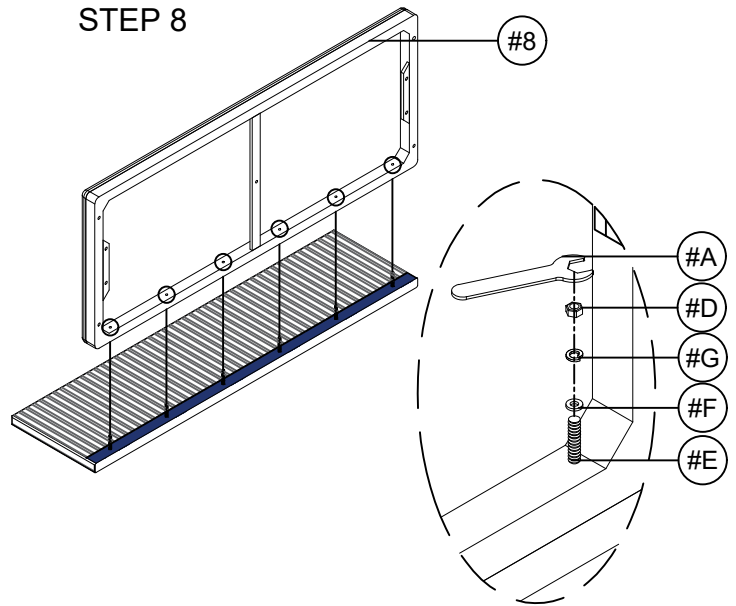
STEP 7



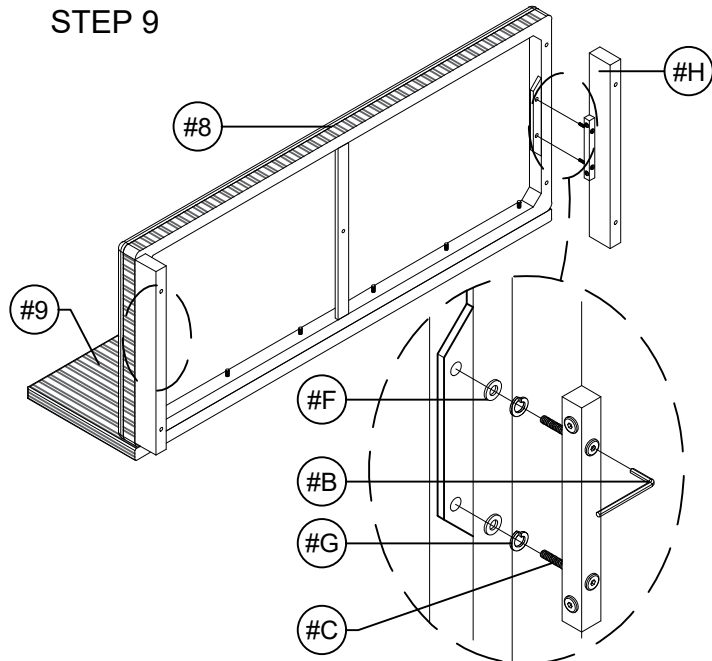
STEP 7



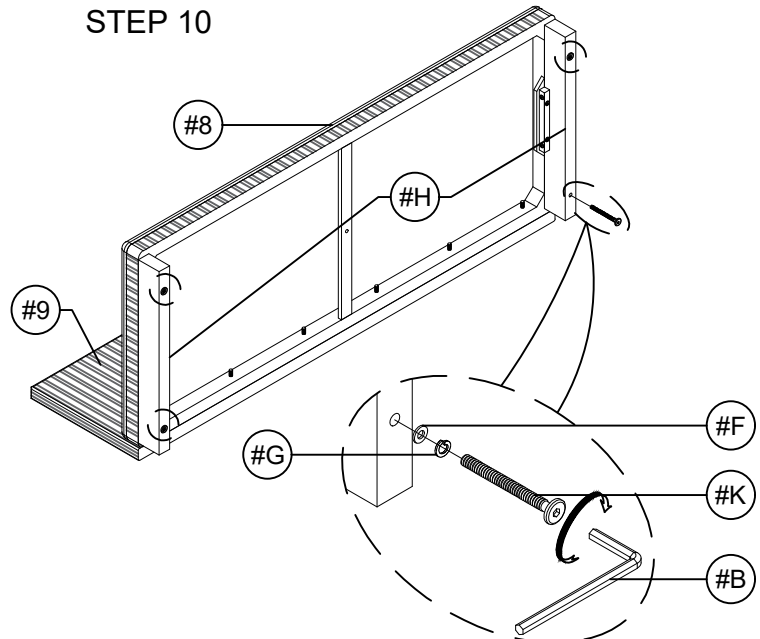
STEP 8



STEP 9

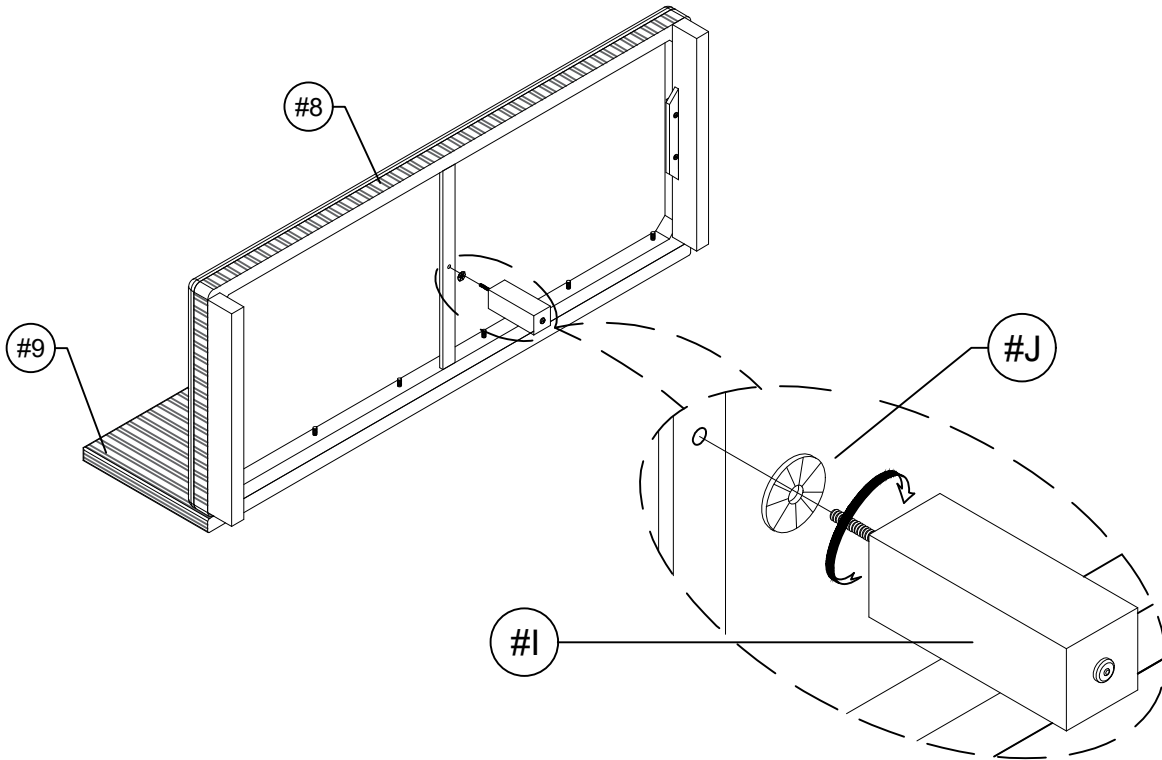


STEP 10

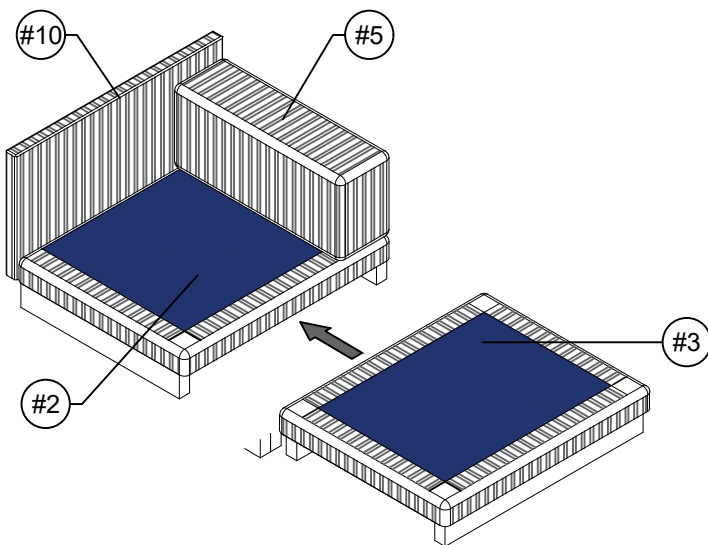


# ASSEMBLY INTRUCTION

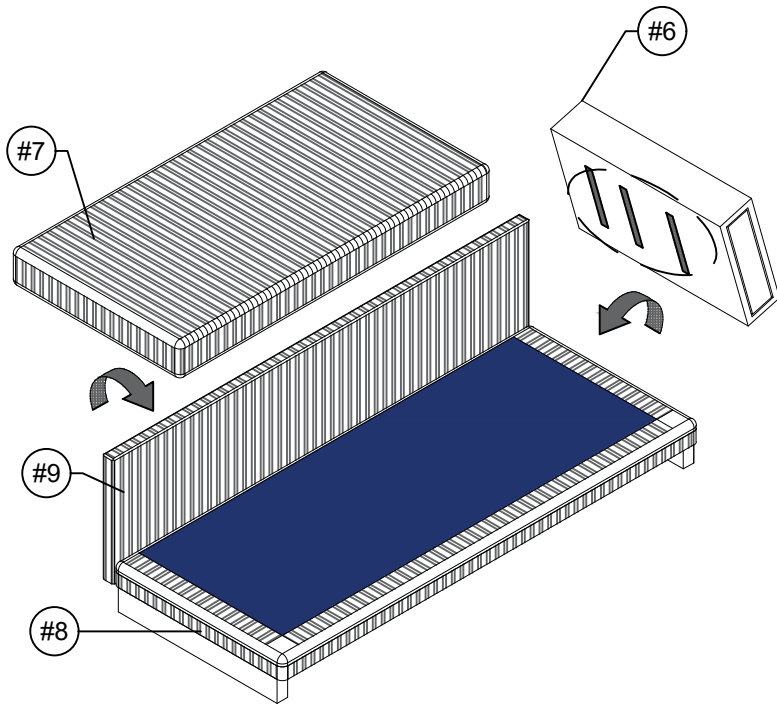
## STEP 11



## STEP 12



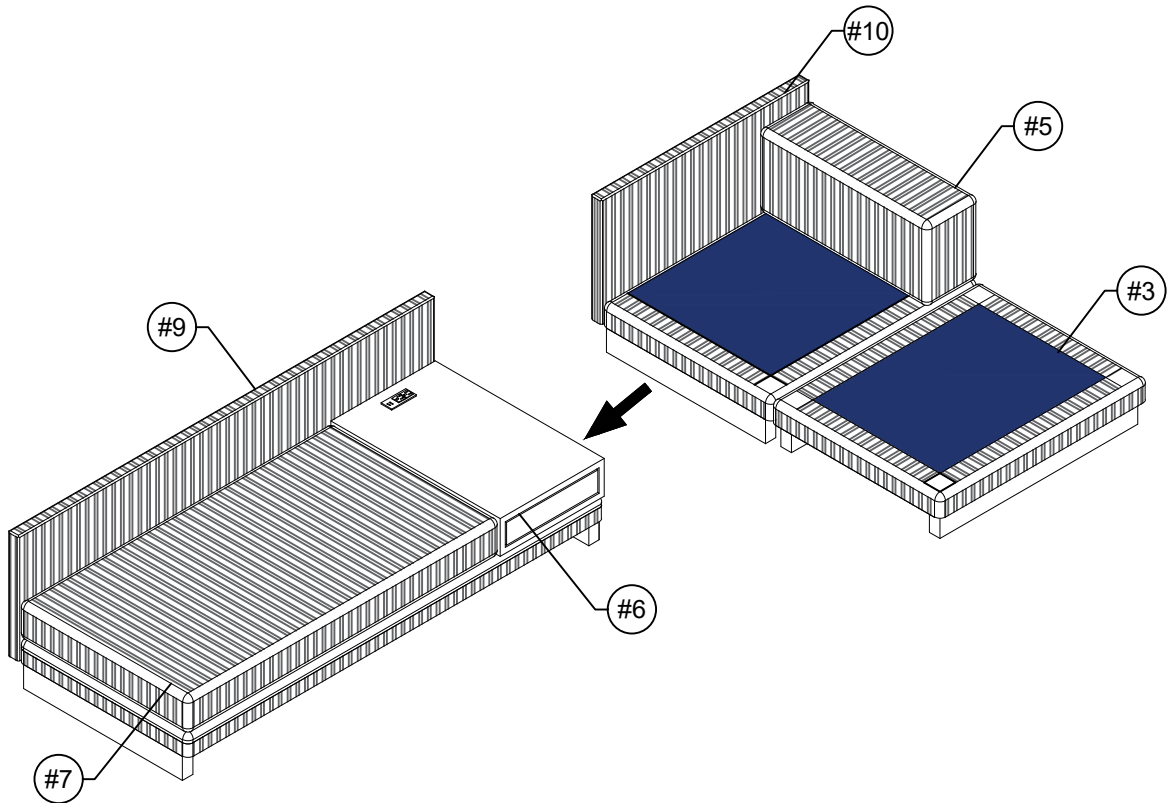
## STEP 13



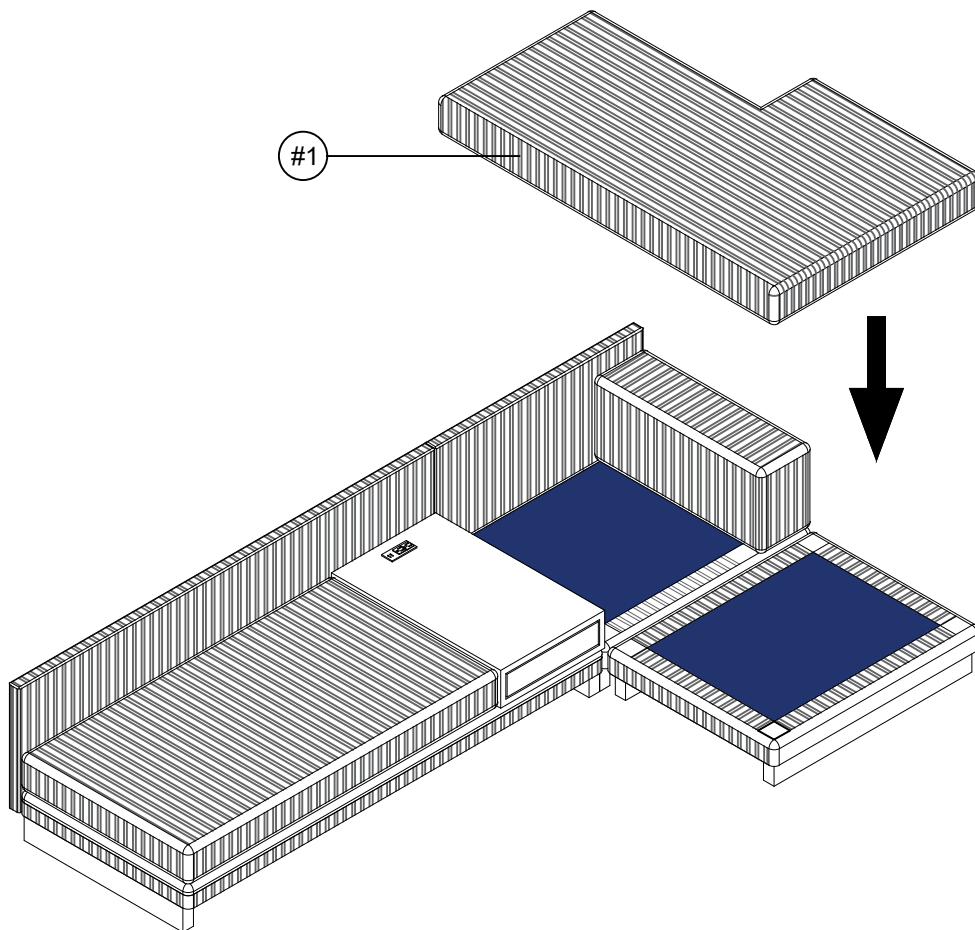
Pull off the Velcro  
cover on the Storage Box

# ASSEMBLY INTRUCTION

## STEP 14

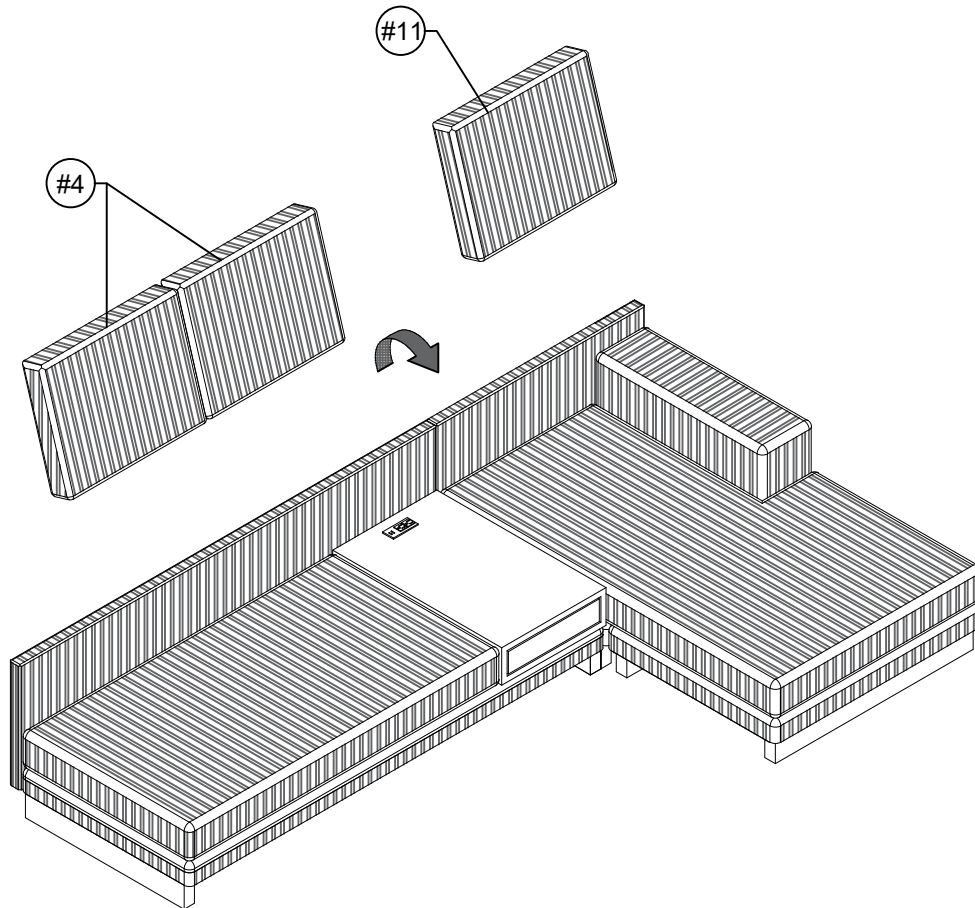


## STEP 15



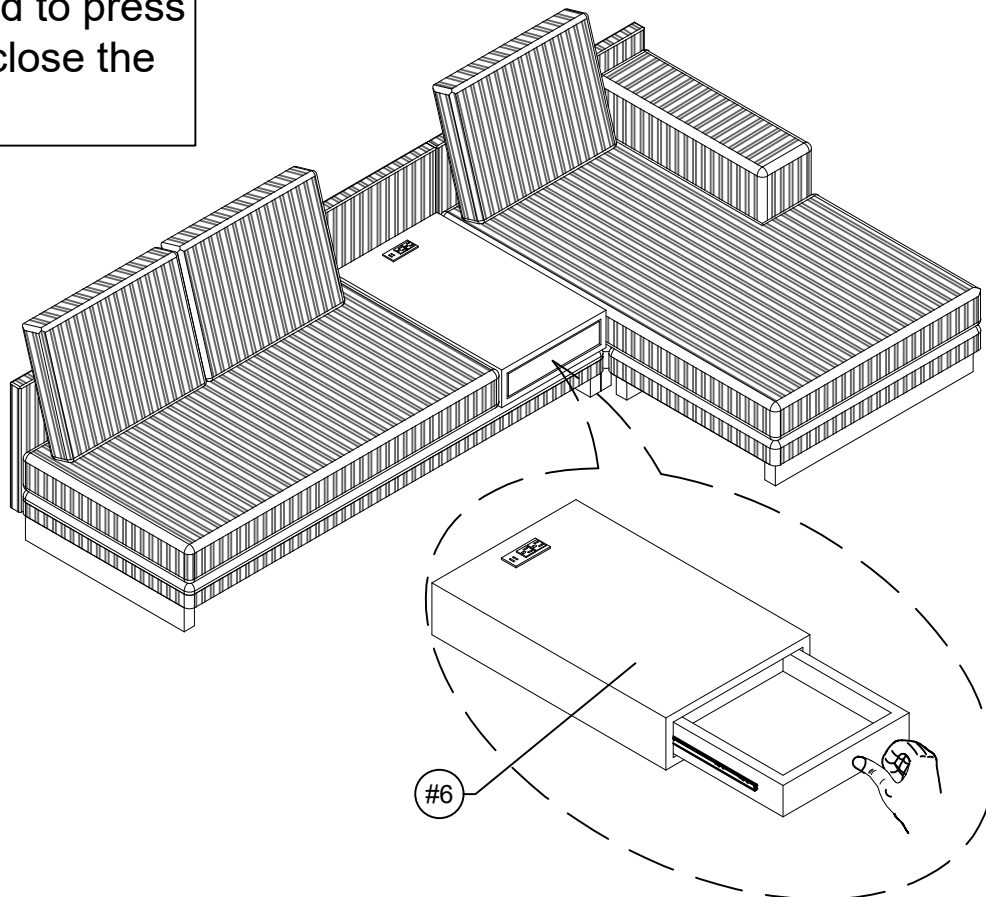
# ASSEMBLY INTRUCTION

## STEP 16



## STEP 17

Use your hand to press to open and close the drawer.



# ASSEMBLY INTRUCTION

FINISHED

