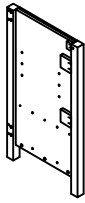
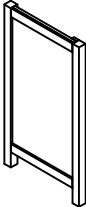

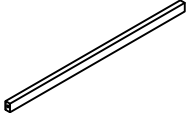
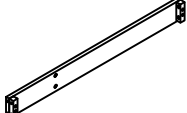
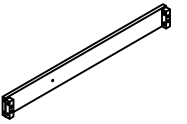
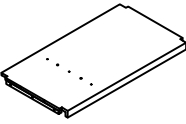
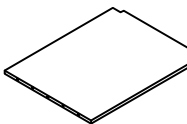
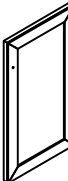

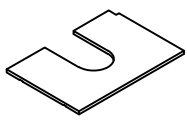
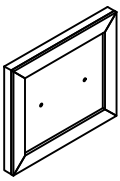
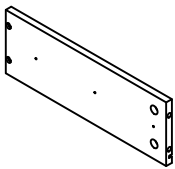
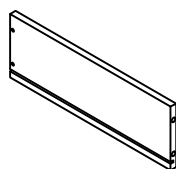
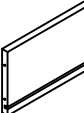
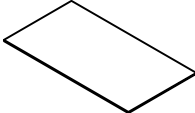

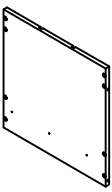
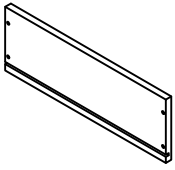
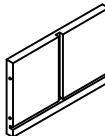
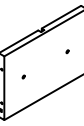
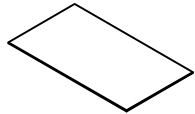
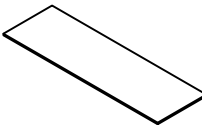
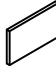
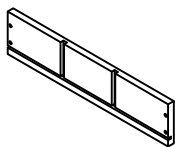
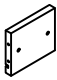

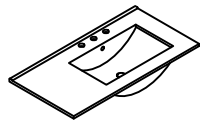
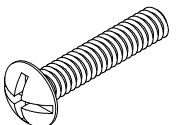
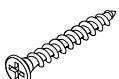
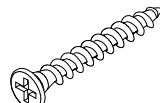
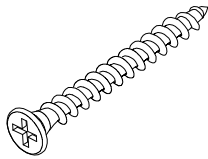

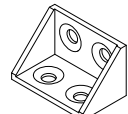
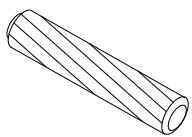
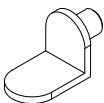
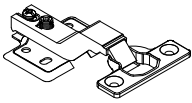

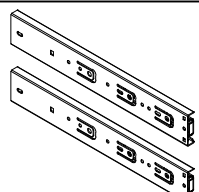

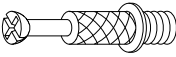
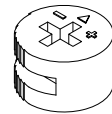





PRODUCT PARTS:

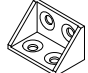
A	B	C	D	E	F
					
1PC	1PC	1PC	1PC	1PC	1PC
G	H	I	J	K	L
					
1PC	1PC	1PC	1PC	1PC	1PC
M	N	O	P	Q	R
					
1PC	1PC	1PC	1PC	1PC	1PC
S	T	U	V	V1	W
					
1PC	1PC	1PC	1PC	1PC	2PCS
X	Y	Y1	Z		
					
1PC	1PC	1PC	1PC		


HARDWARE:

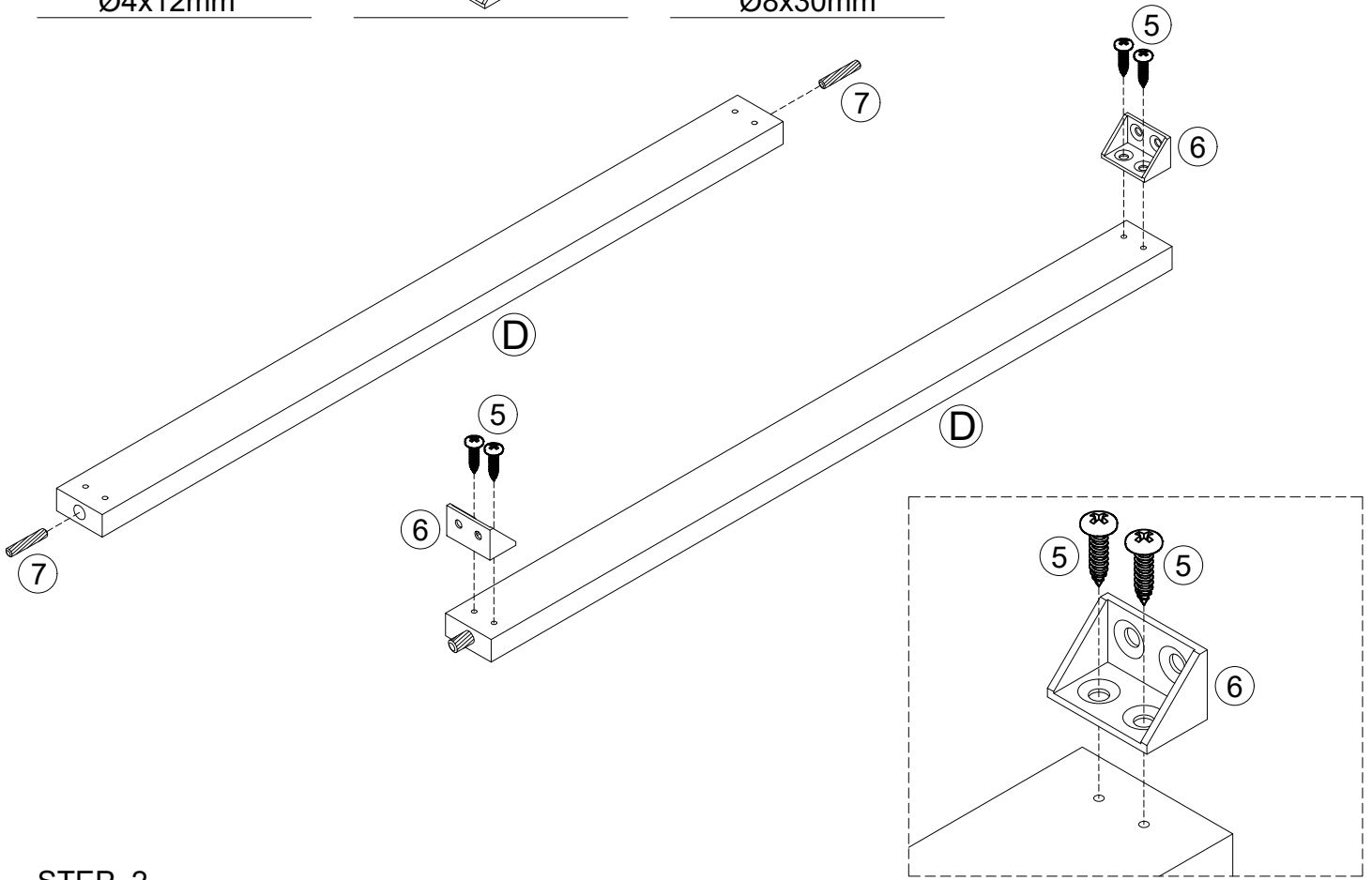
①	②	③	④	⑤	⑥
					
1/4"x25mm	Ø4x20mm	Ø4x25mm	Ø4x35mm	Ø3x12mm	33x20x20mm
16+1 PCS	4 PCS	20+2 PCS	4 PCS	8 PCS	2 PCS
⑦	⑧	⑨	⑩	⑪	⑫
					
Ø8x30mm			Ø4x12mm	14"x45mm	Ø3x10mm
20+2 PCS	4 PCS	4 PCS	24+2 PCS	2 SET	24+2 PCS
⑬	⑭	⑮	⑯	⑰	
					
Ø6x33mm	Ø15x9mm			5/32"x15mm	
10+1 PCS	10+1 PCS	4 PCS	2 PCS	10 PCS	

STEP 1

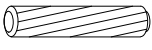
⑤  4pcs
Ø4x12mm

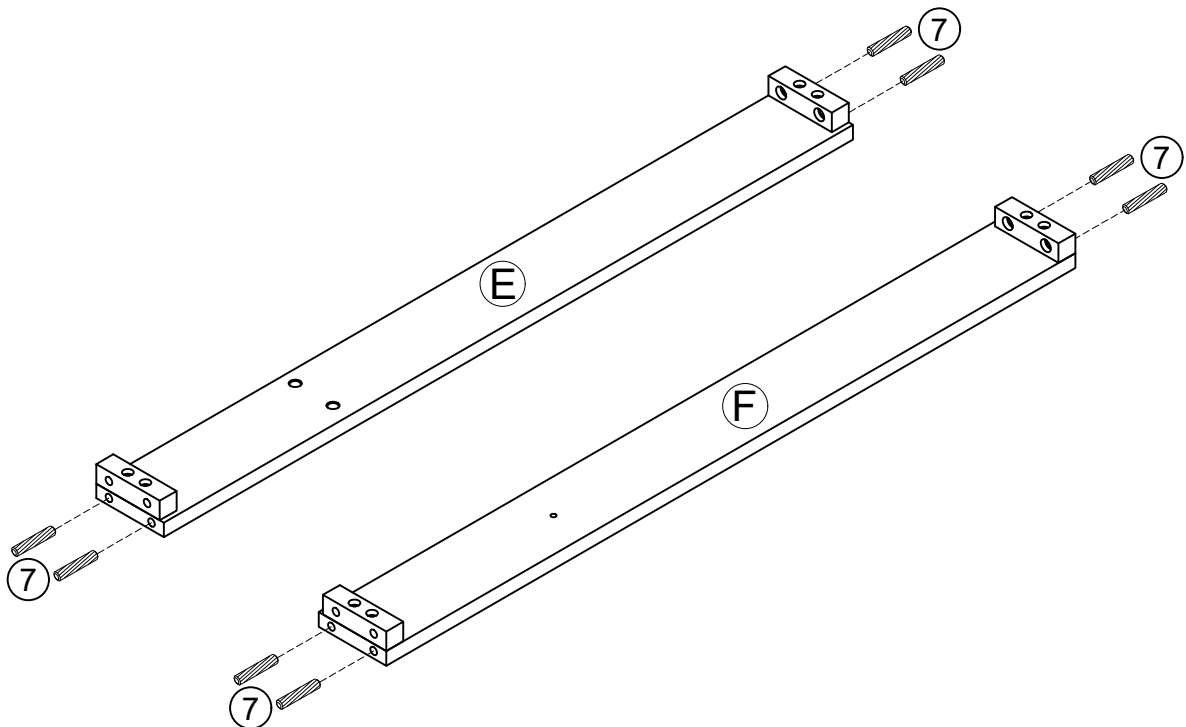
⑥  2pcs

⑦  2pcs
Ø8x30mm




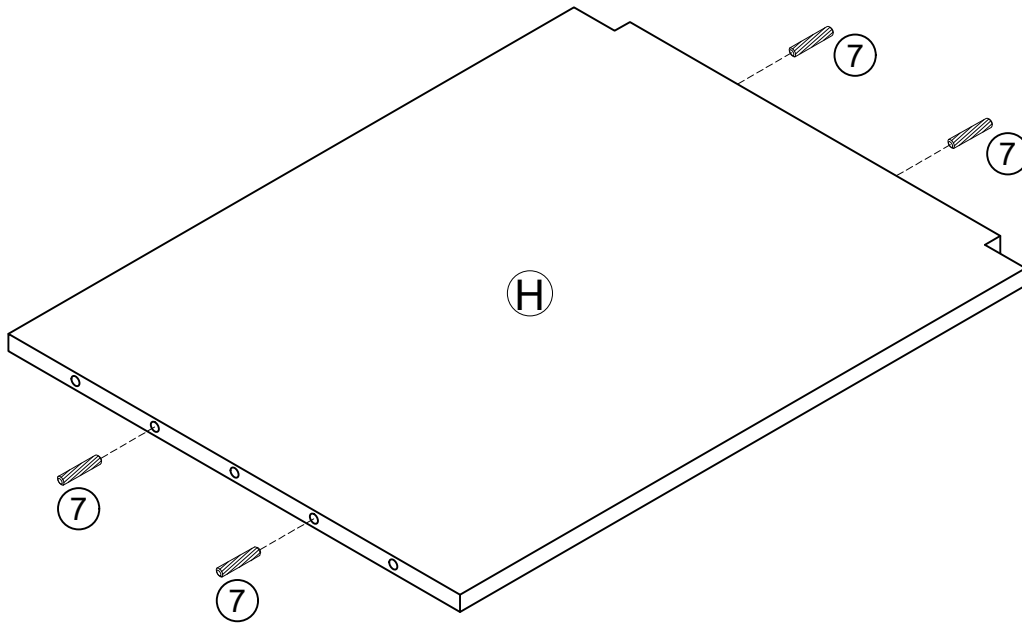
STEP 2

⑦  8pcs
Ø8x30mm




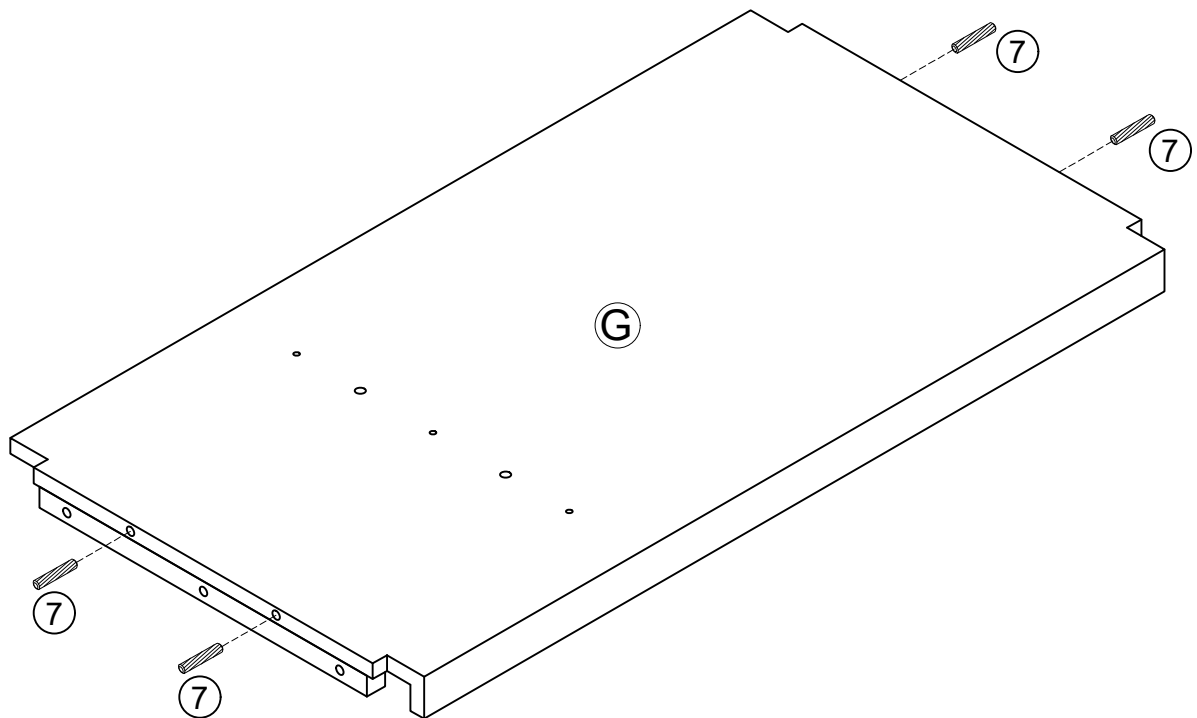
STEP 3

⑦  4pcs
Ø8x30mm

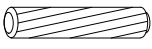
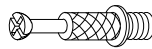


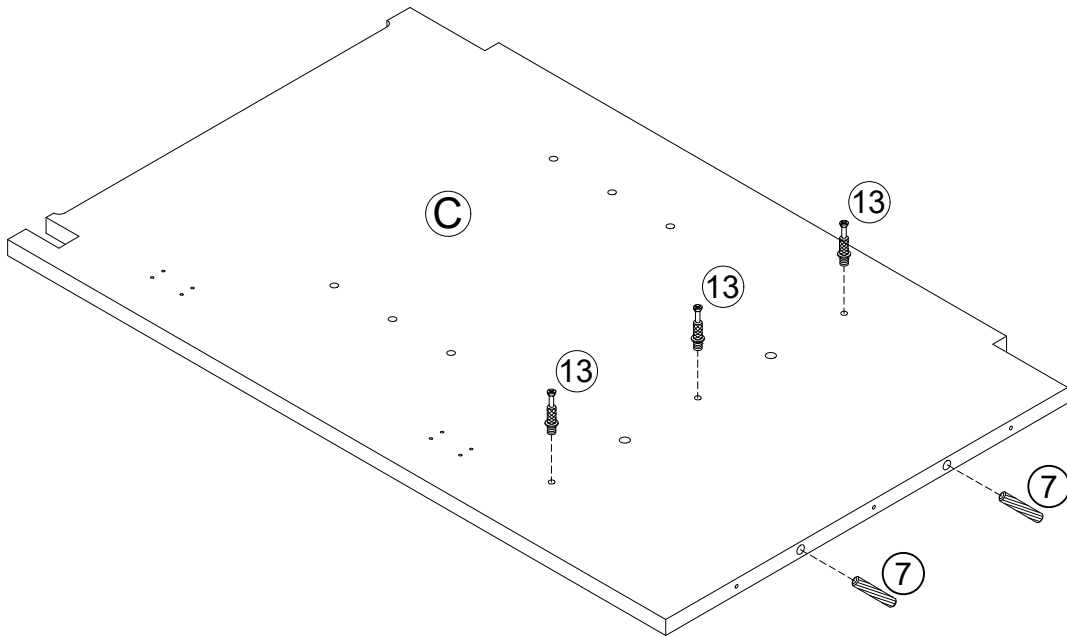
STEP 4

⑦  4pcs
Ø8x30mm

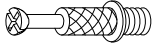


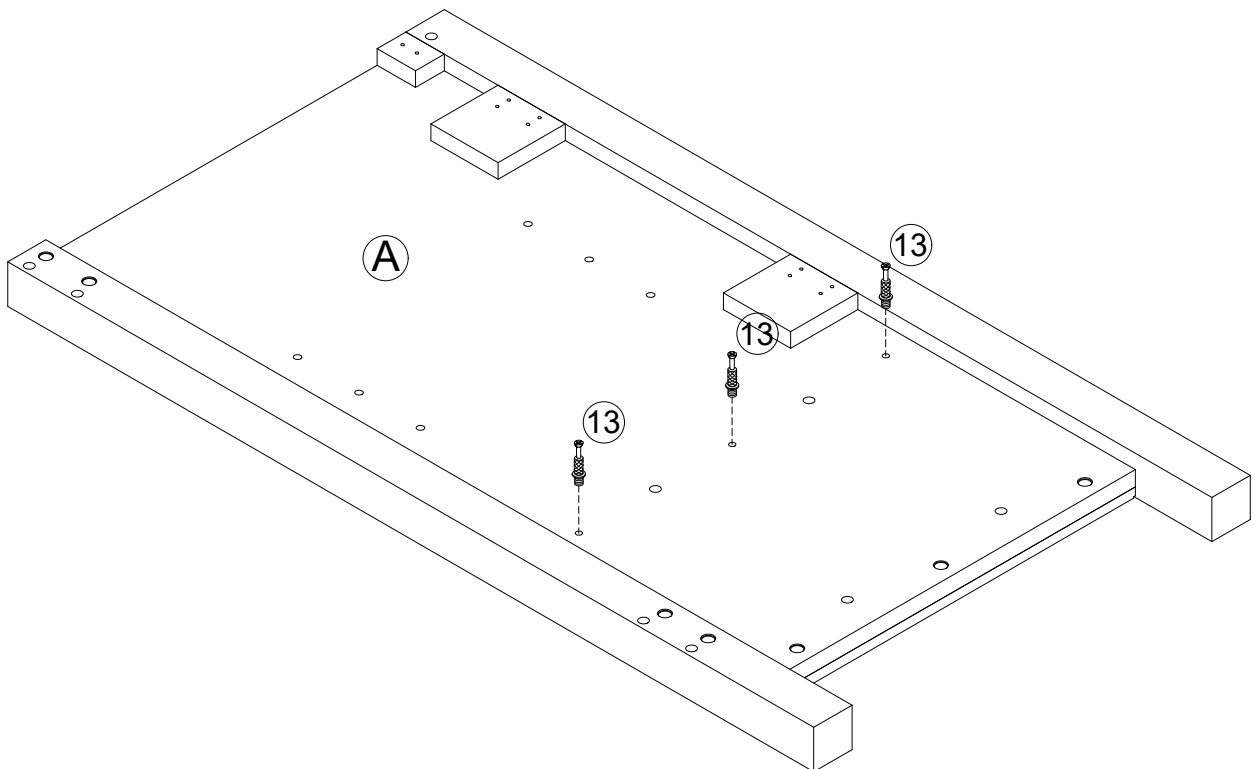
STEP 5

- ⑦  2pcs
Ø8x30mm
- ⑬  3pcs
Ø6x33mm

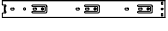


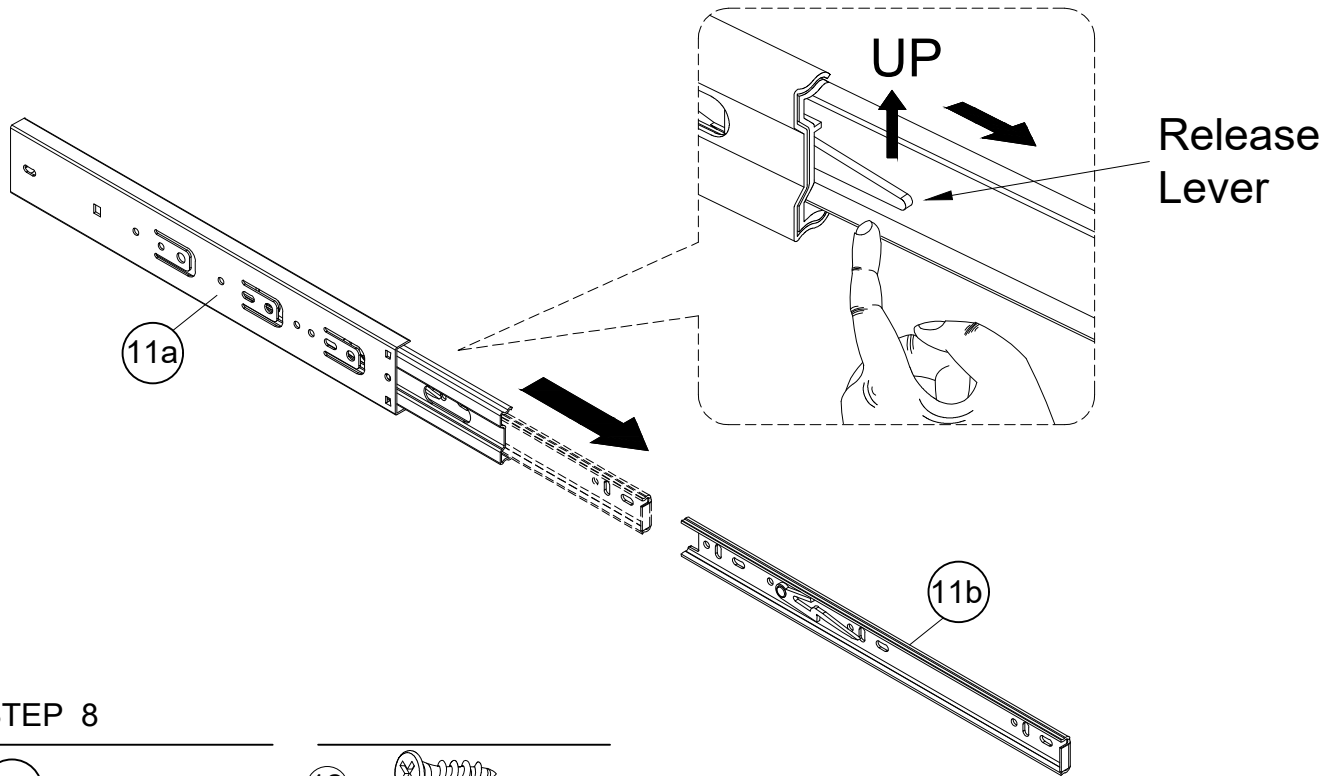
STEP 6

- ⑬  3pcs
Ø6x33mm





STEP 7

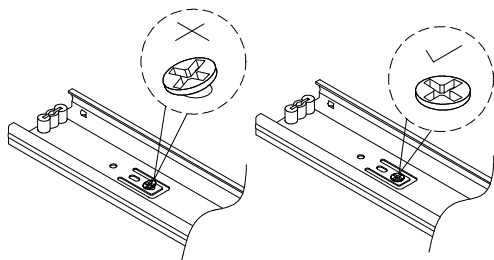
11  4SET
14"x45mm



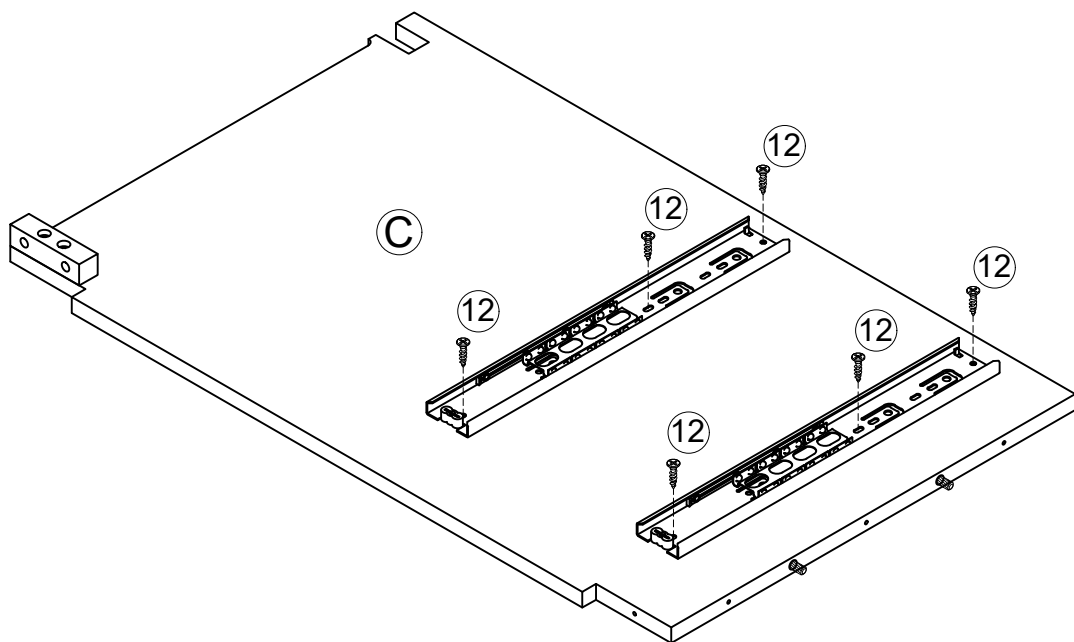
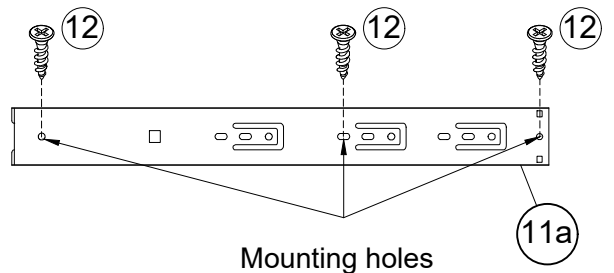
STEP 8

11a  14"x45mm

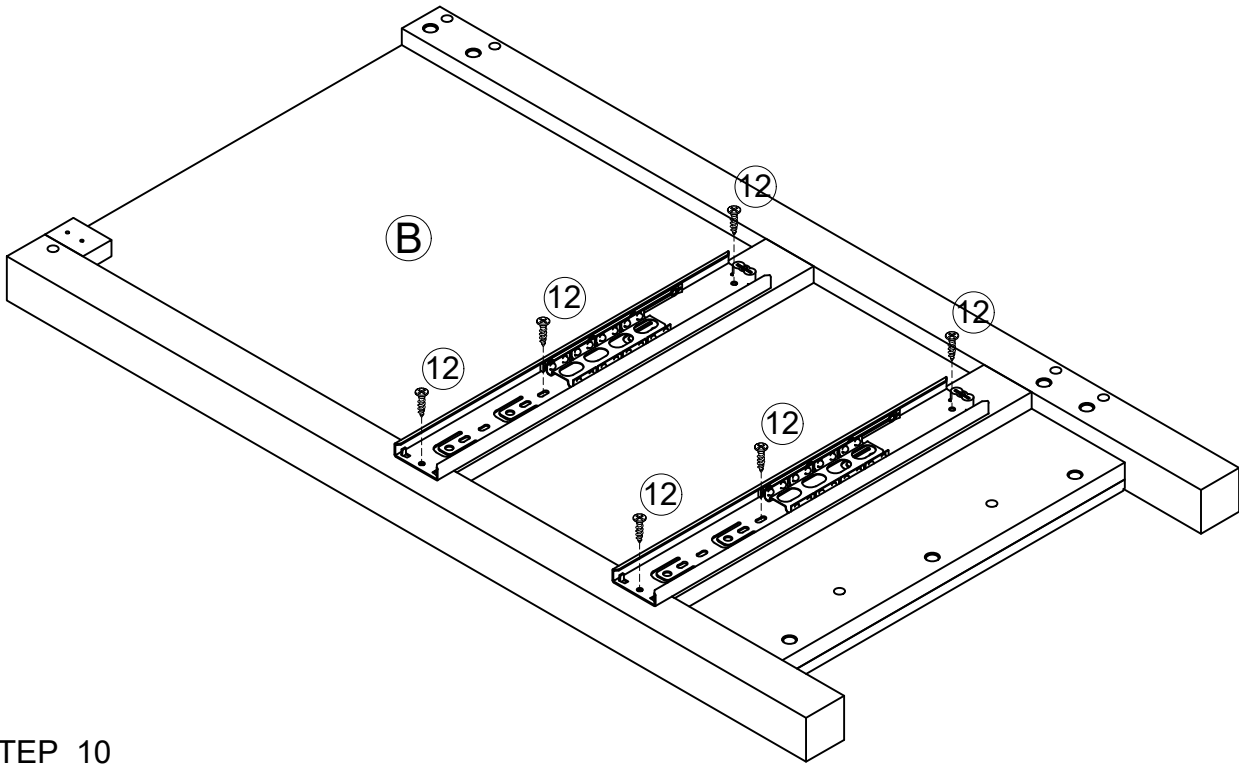
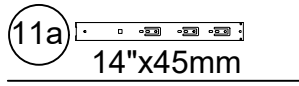
12  6pcs
Ø3x10mm



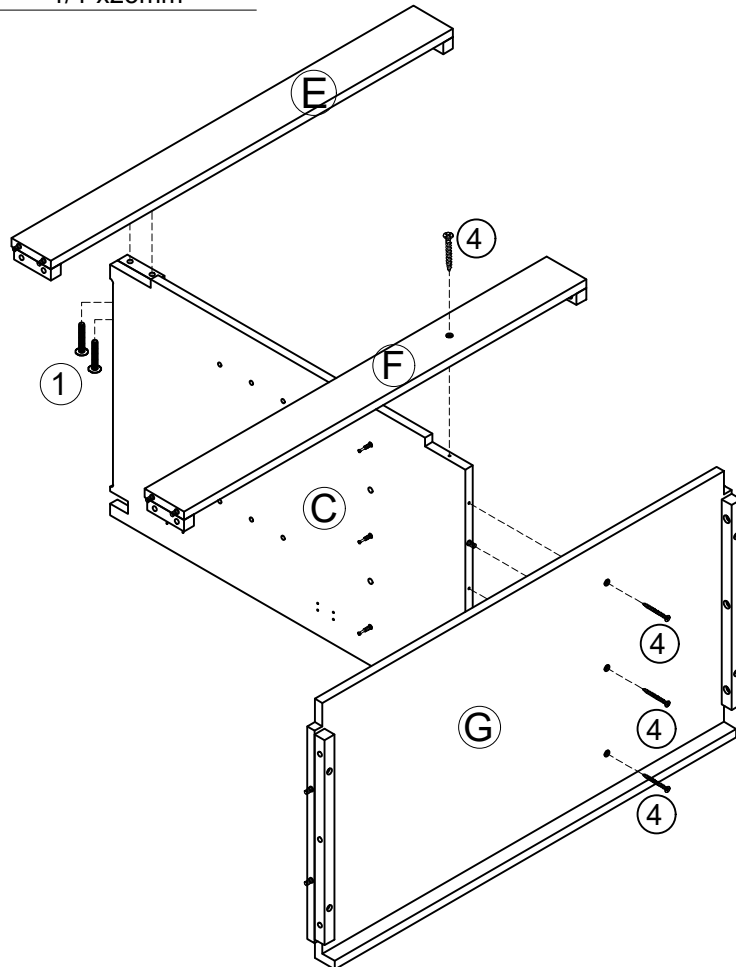
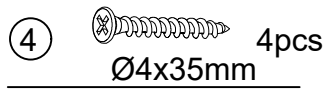
Please make sure that the screw is VERTICAL so as not to affect the sliding of the drawer.





STEP 9

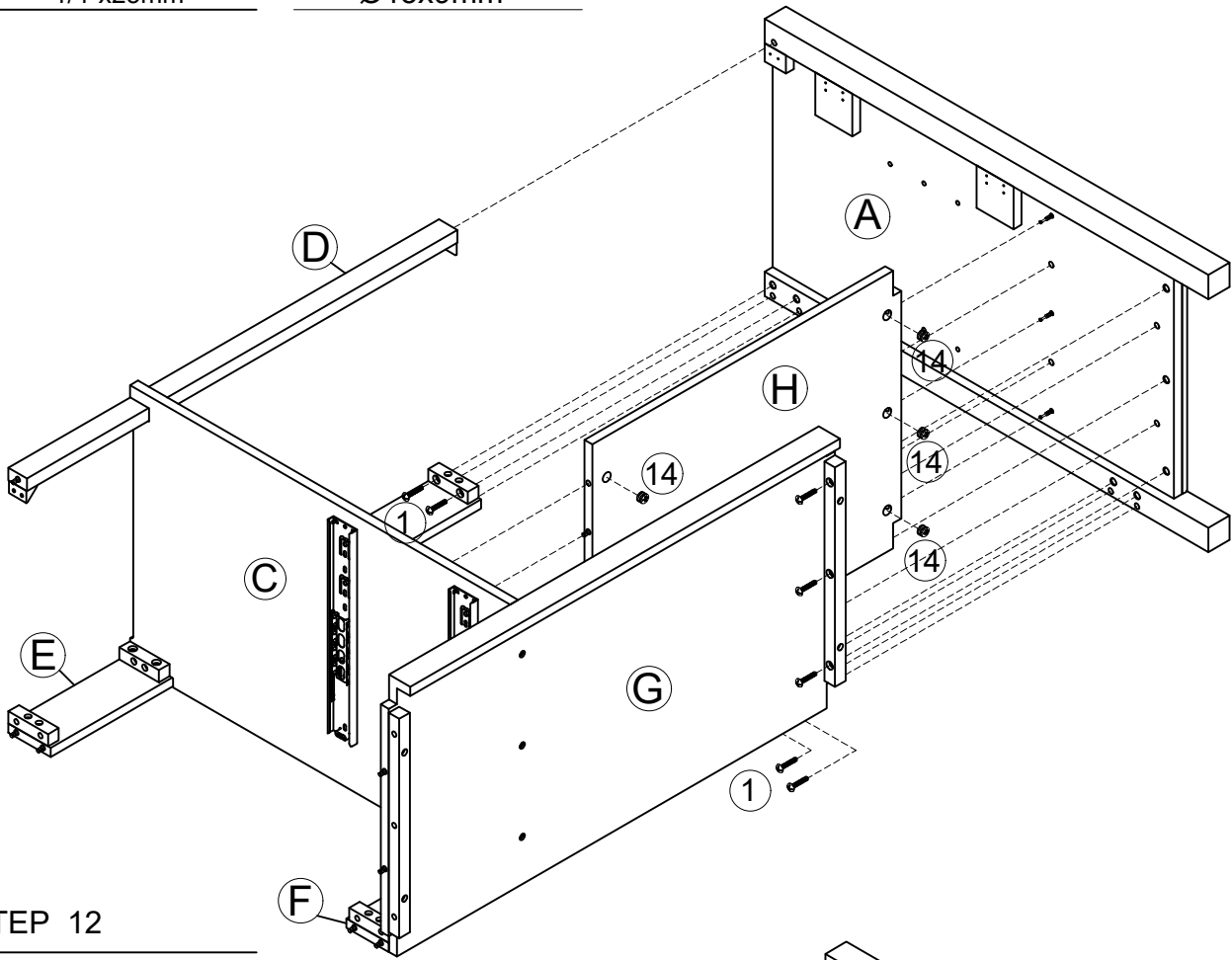


STEP 10




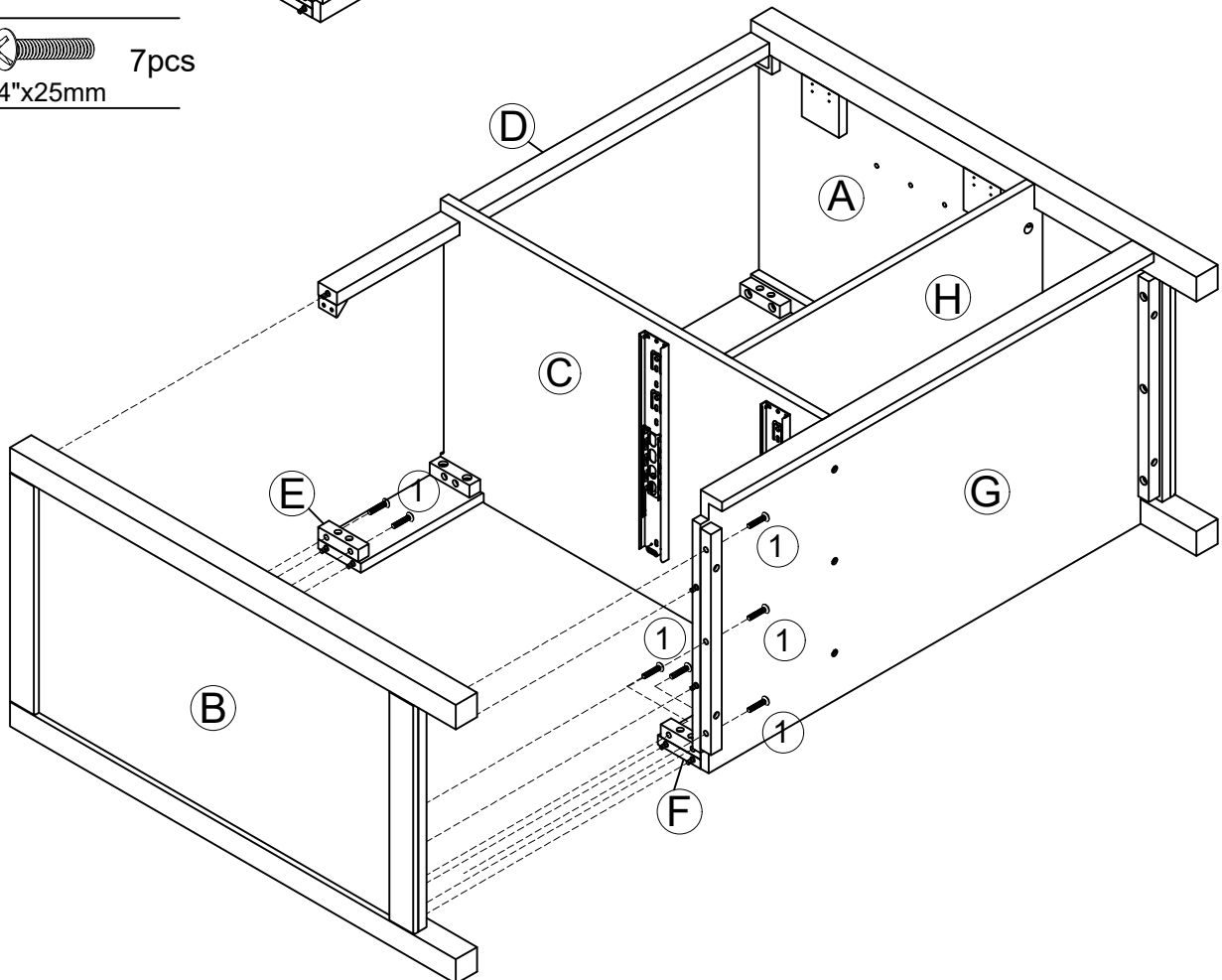
STEP 11

- ①  7pcs 1/4"x25mm
⑭  6pcs Ø15x9mm




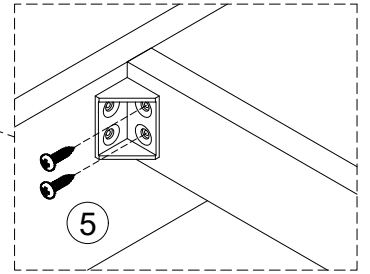
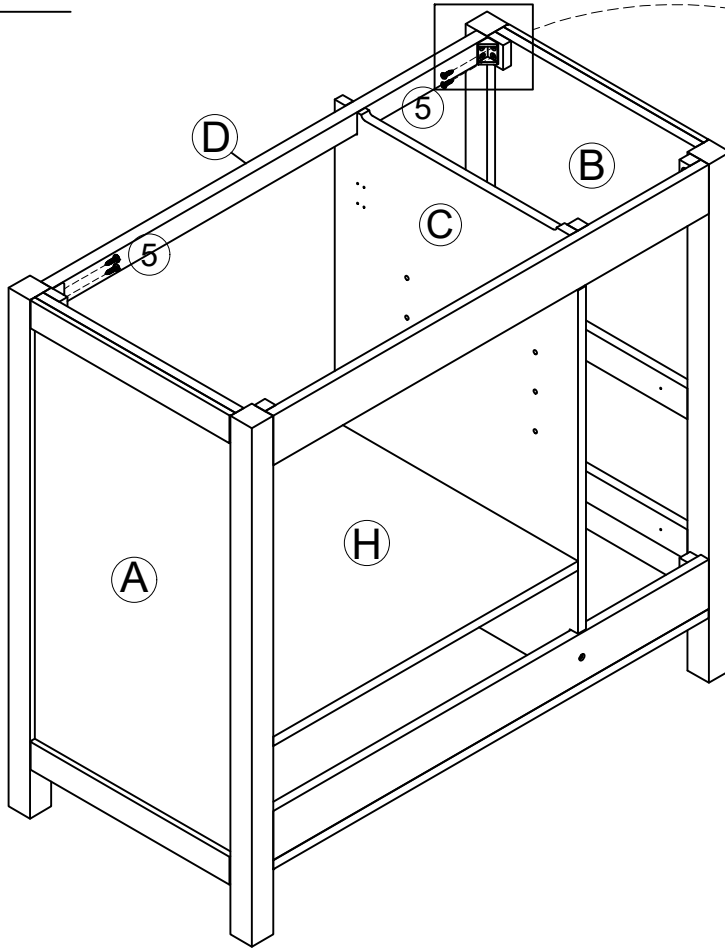
STEP 12

- ①  7pcs 1/4"x25mm

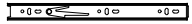


STEP 13

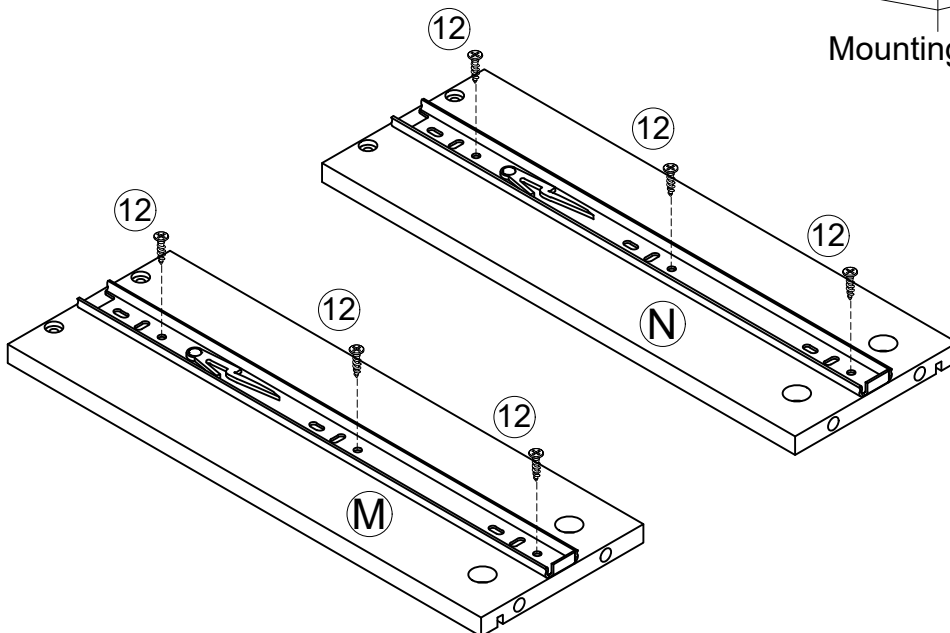
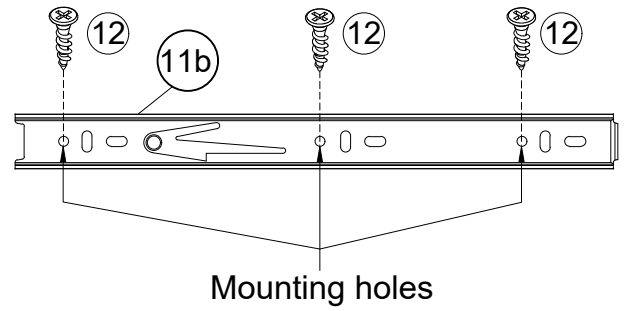
⑤  4pcs
Ø4x12mm



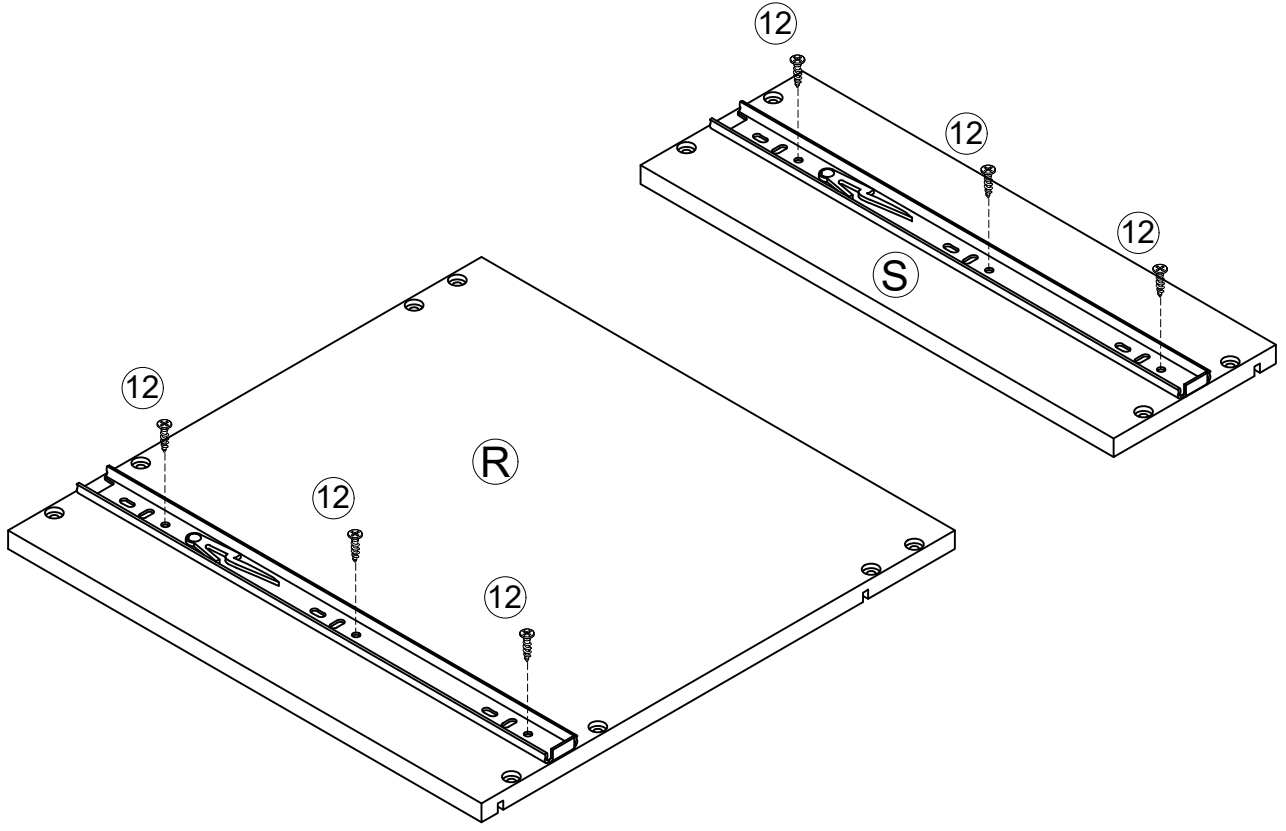
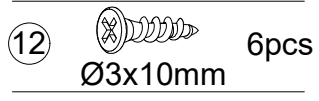
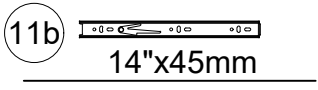
STEP 14

⑪b  14"x45mm

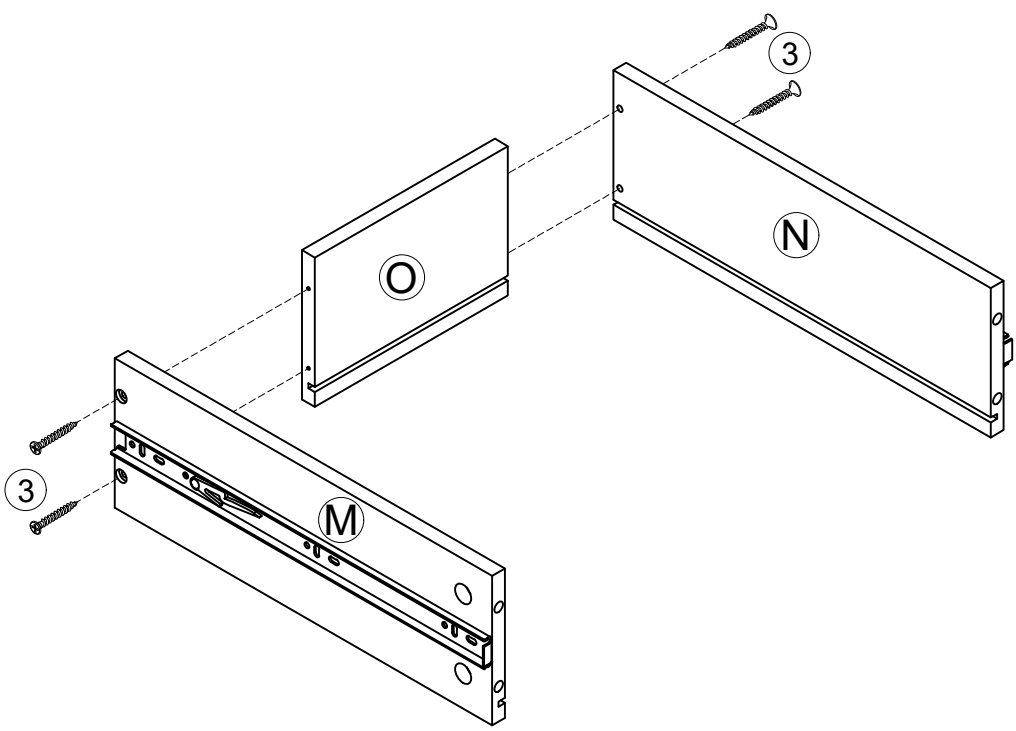
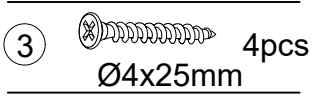
⑫  6pcs
Ø3x10mm



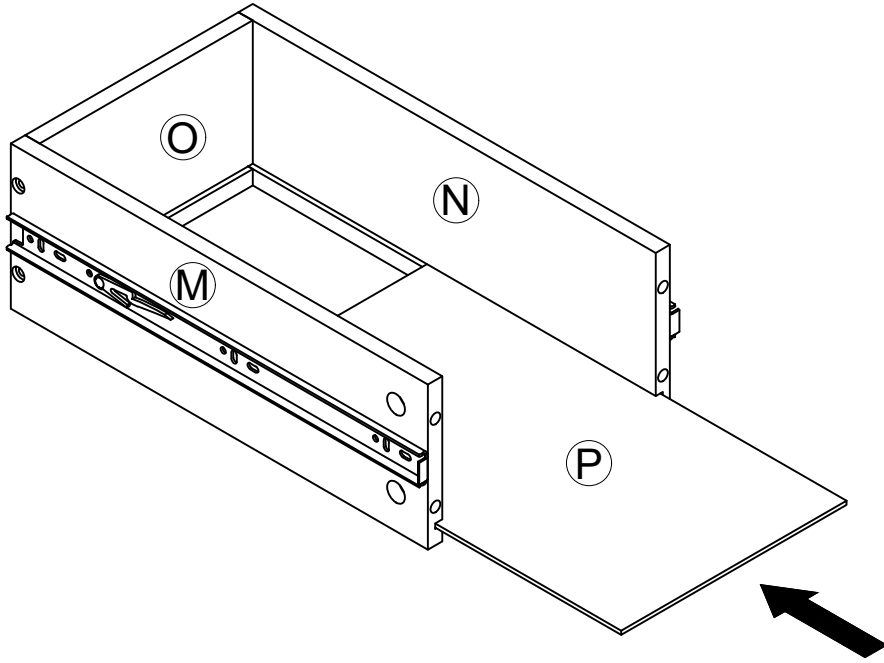
STEP 15




STEP 16

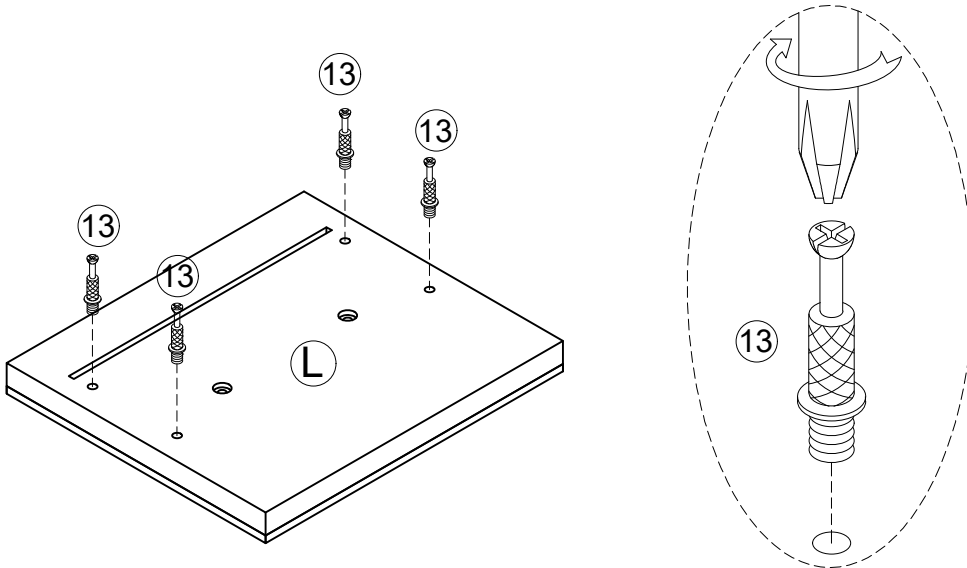


STEP 17




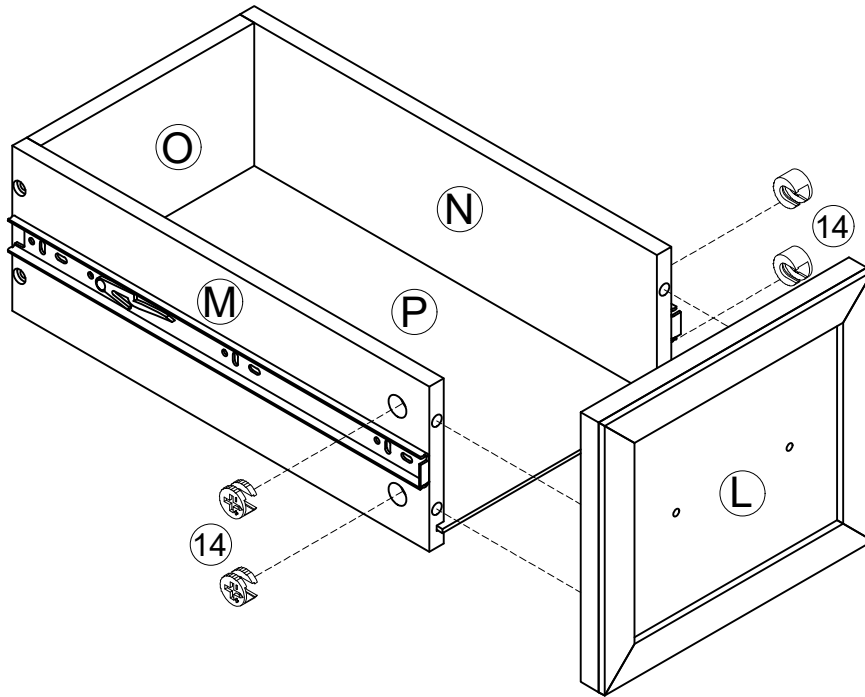
STEP 18

- ⑬  4pcs
Ø6x33mm





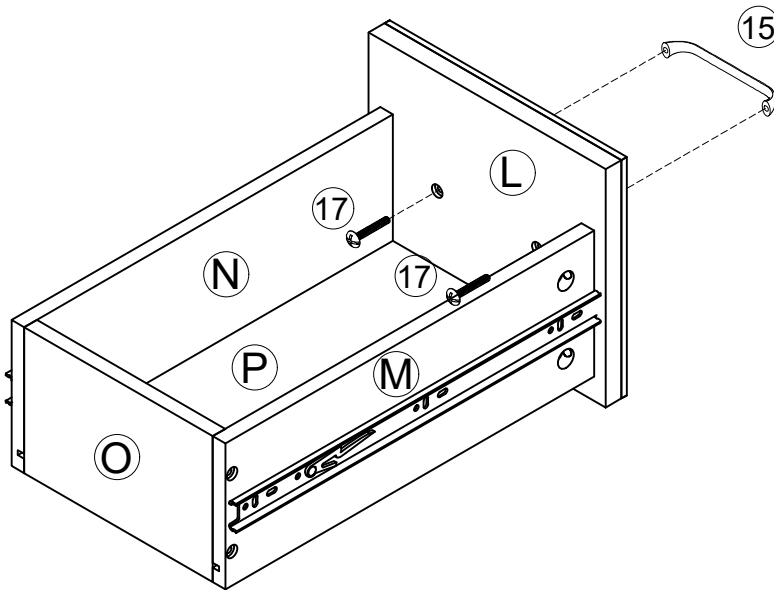
STEP 19

①④  4pcs
Ø15x9mm




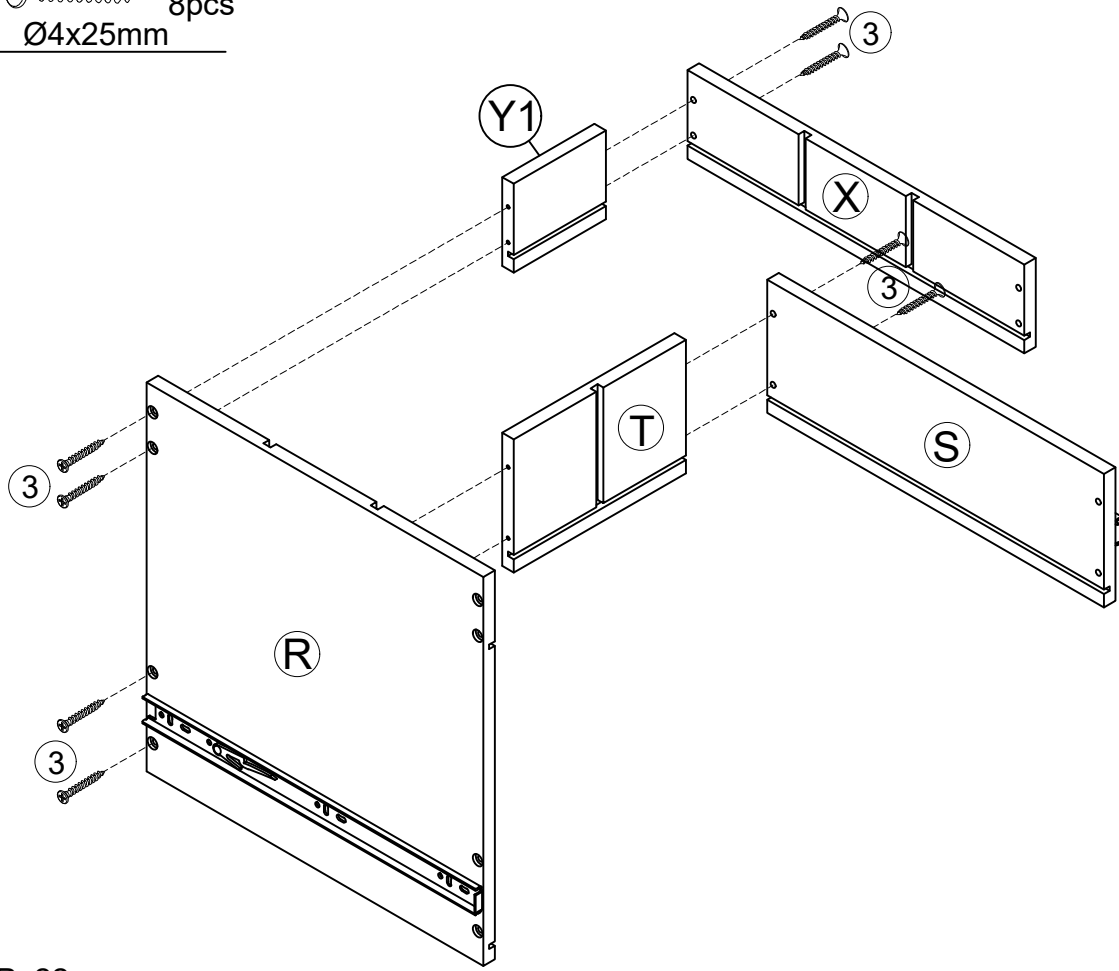
STEP 20

①⑤  1pc ①⑦  2pcs
5/32"x15mm

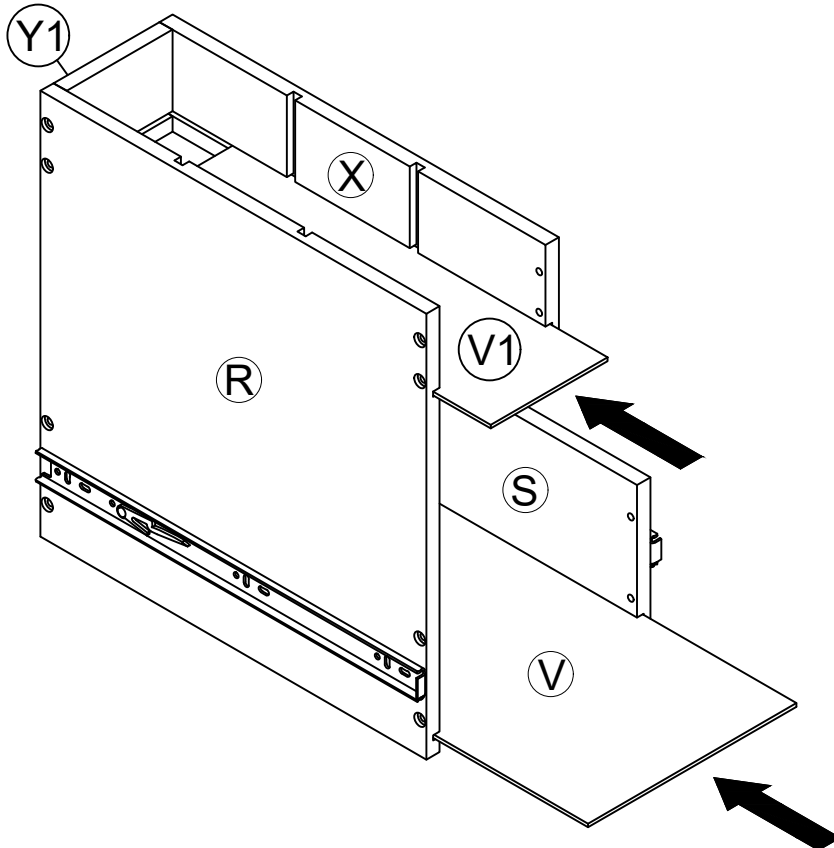


STEP 21


③  8pcs
Ø4x25mm

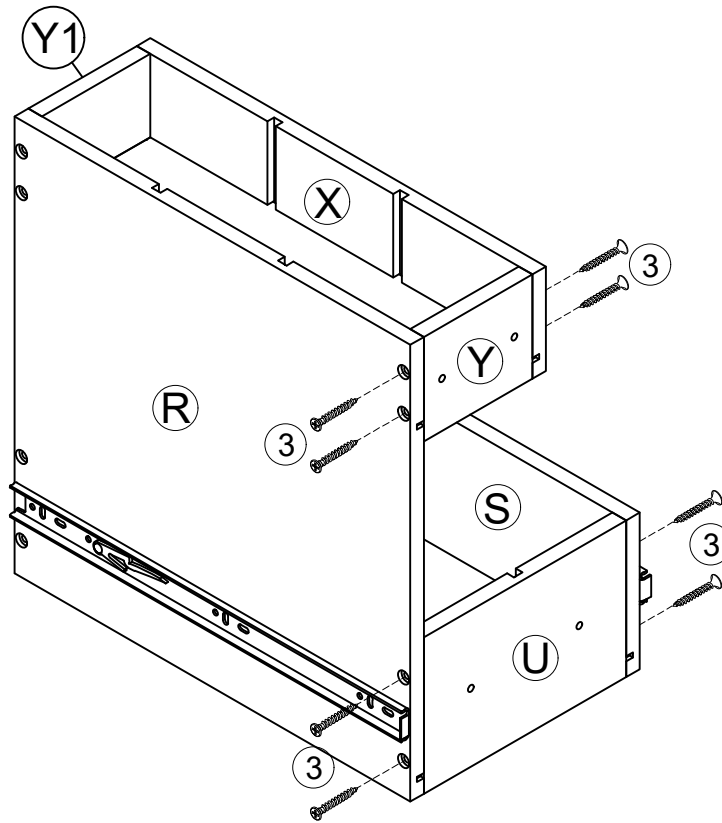


STEP 22





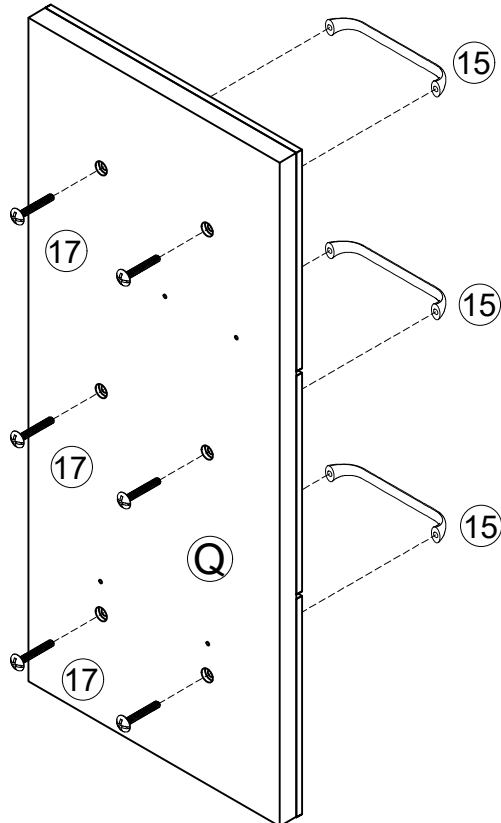
STEP 23

- ③  8pcs
Ø4x25mm




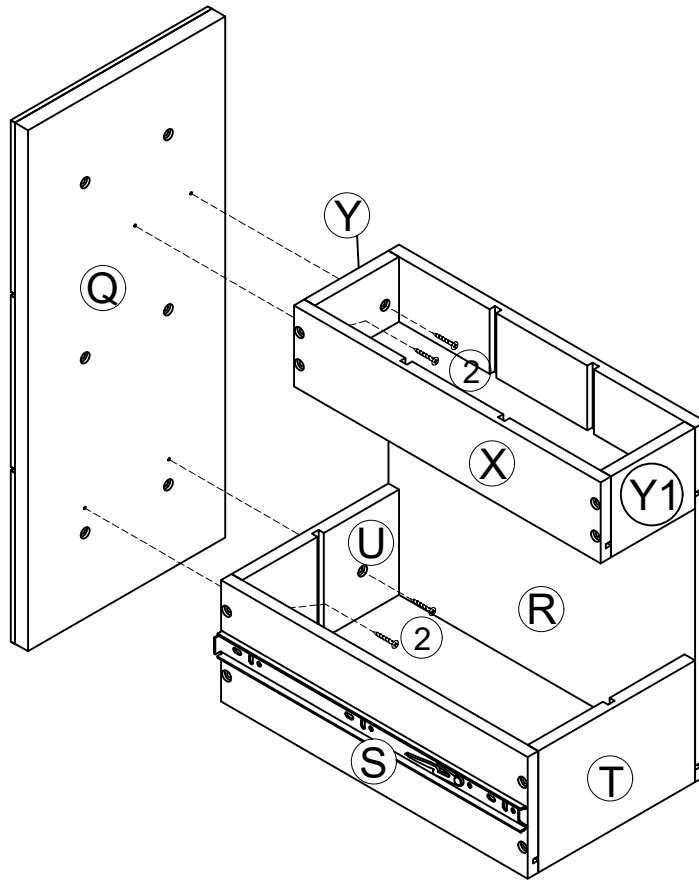
STEP 24

- ⑮  3pcs
⑰  6pcs
5/32"x15mm

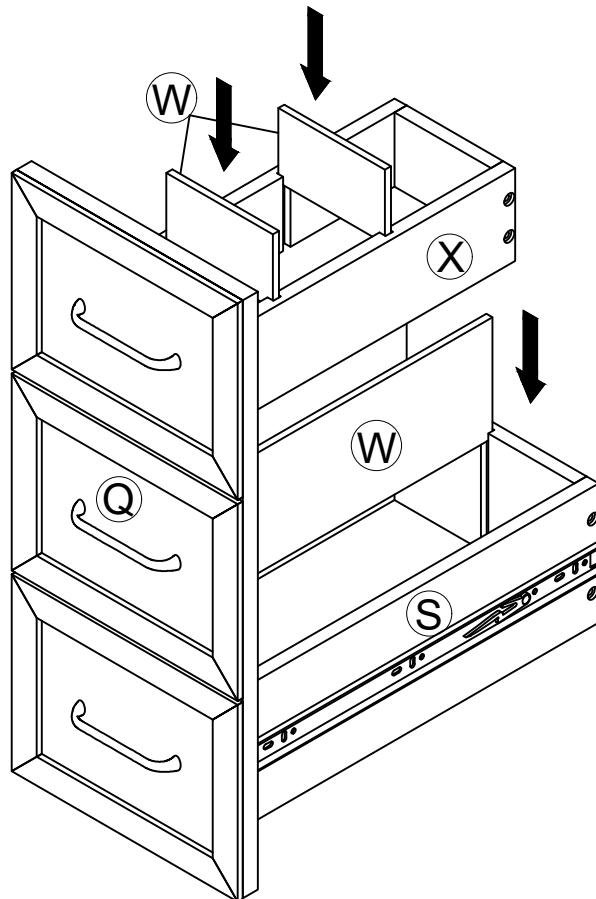


STEP 25

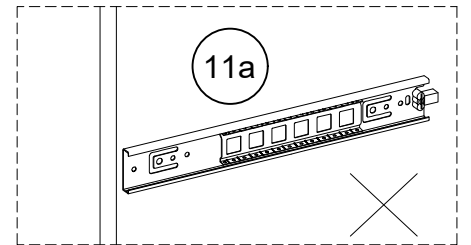
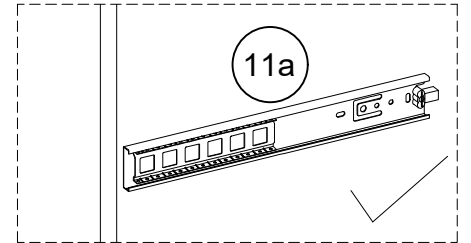
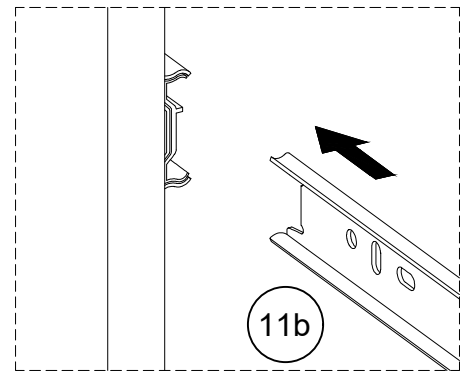
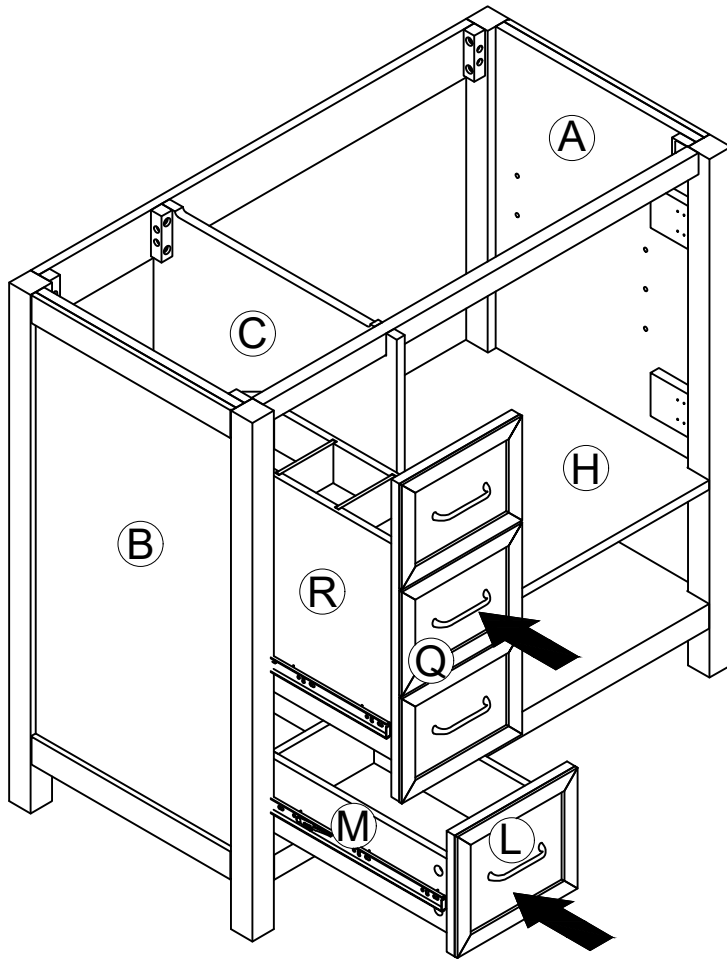
②  4pcs
Ø4x20mm



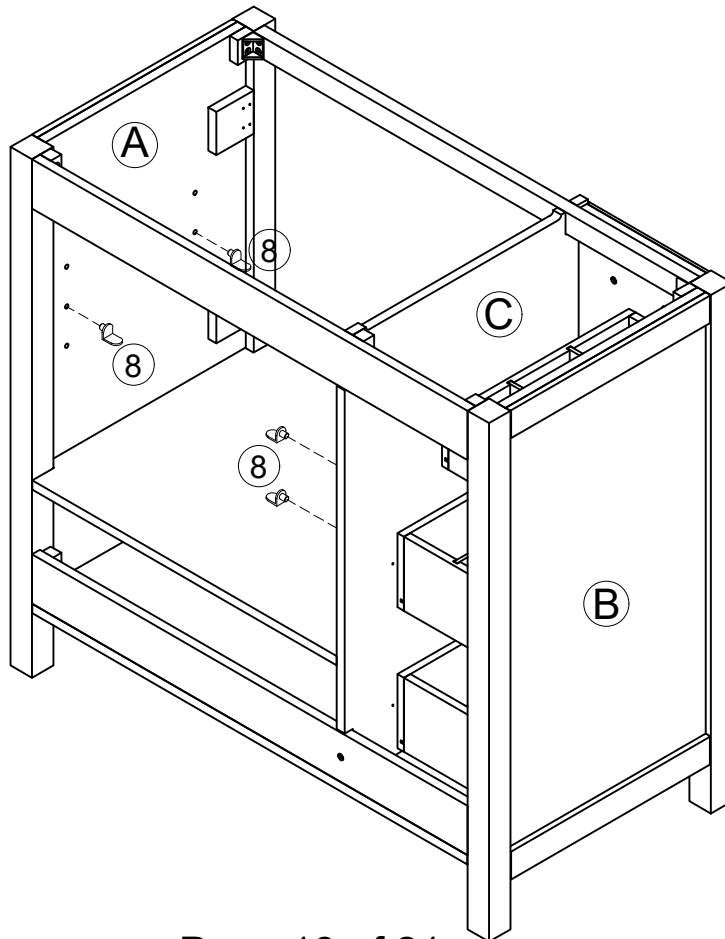
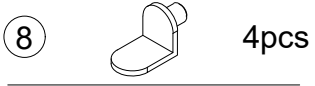
STEP 26



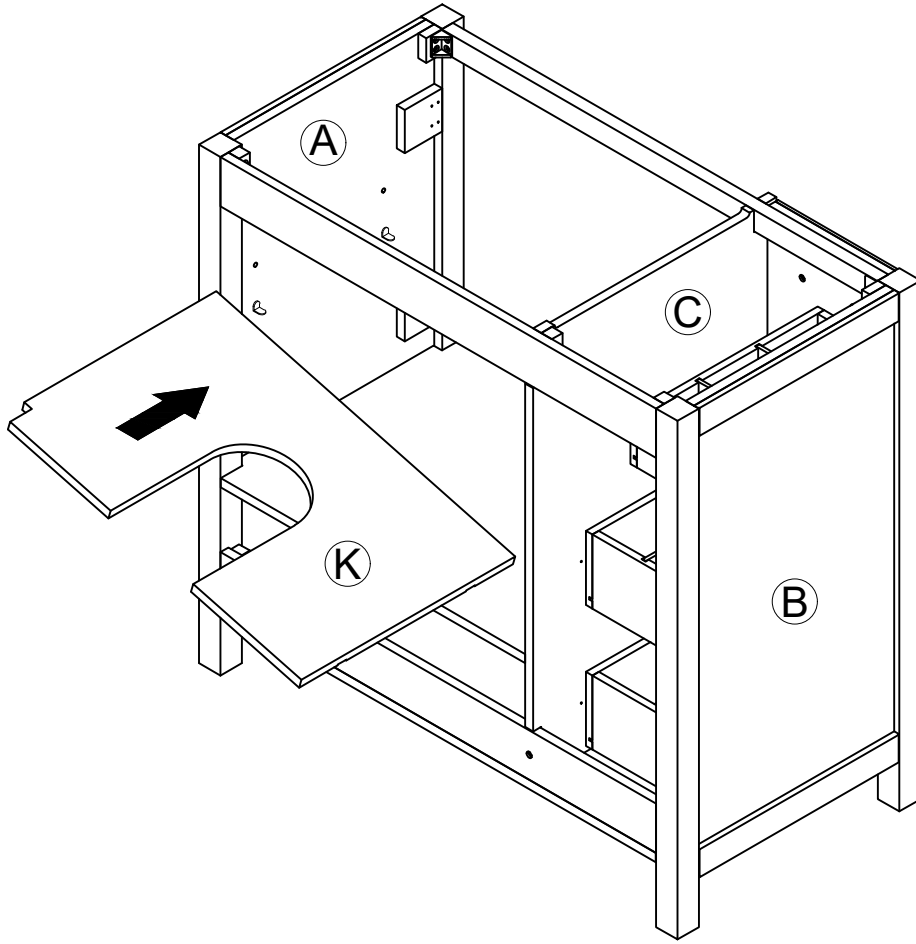
STEP 27



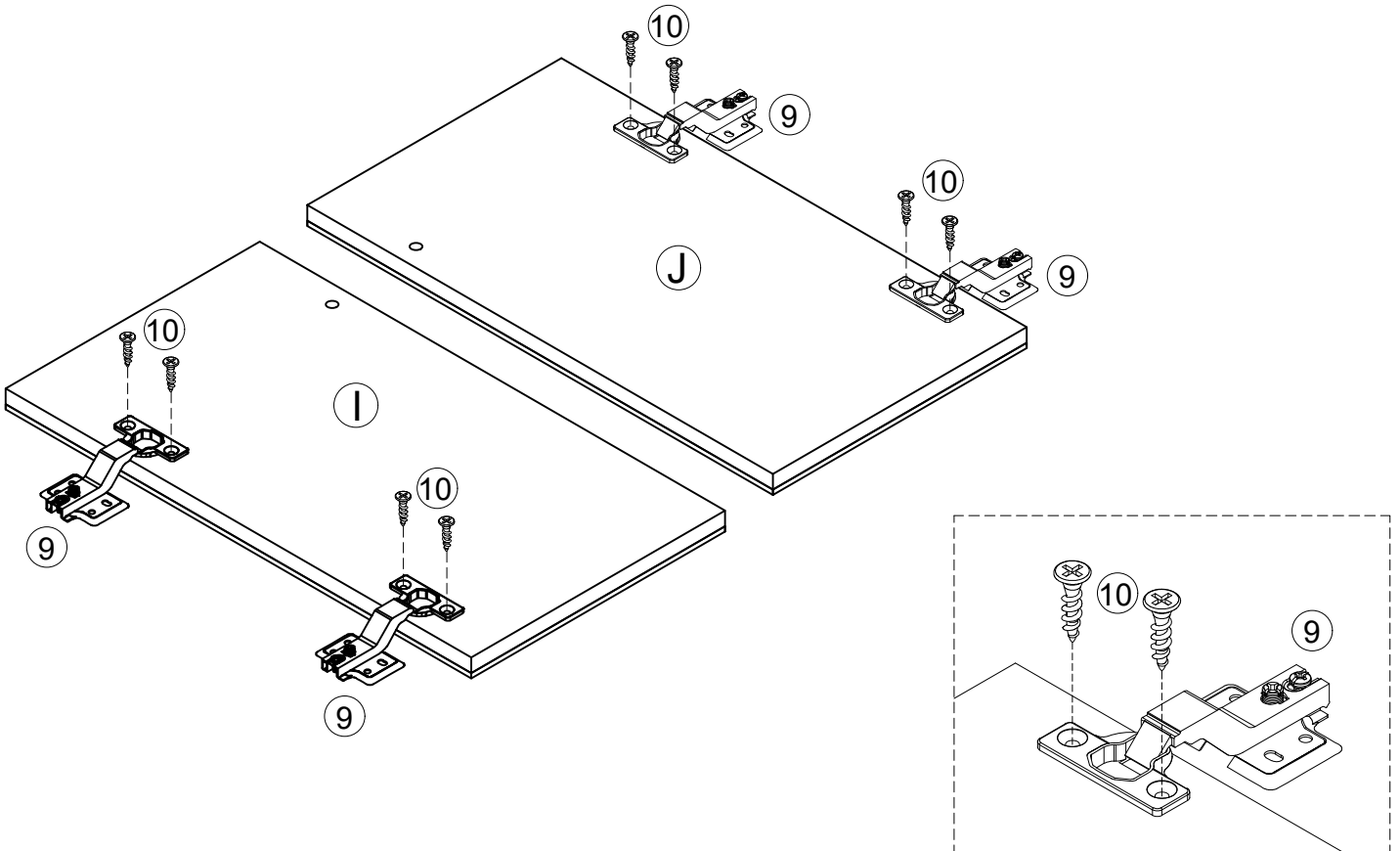
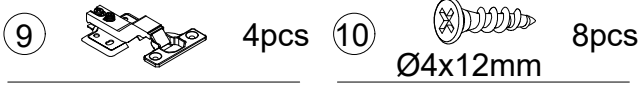
STEP 28




STEP 29



STEP 30

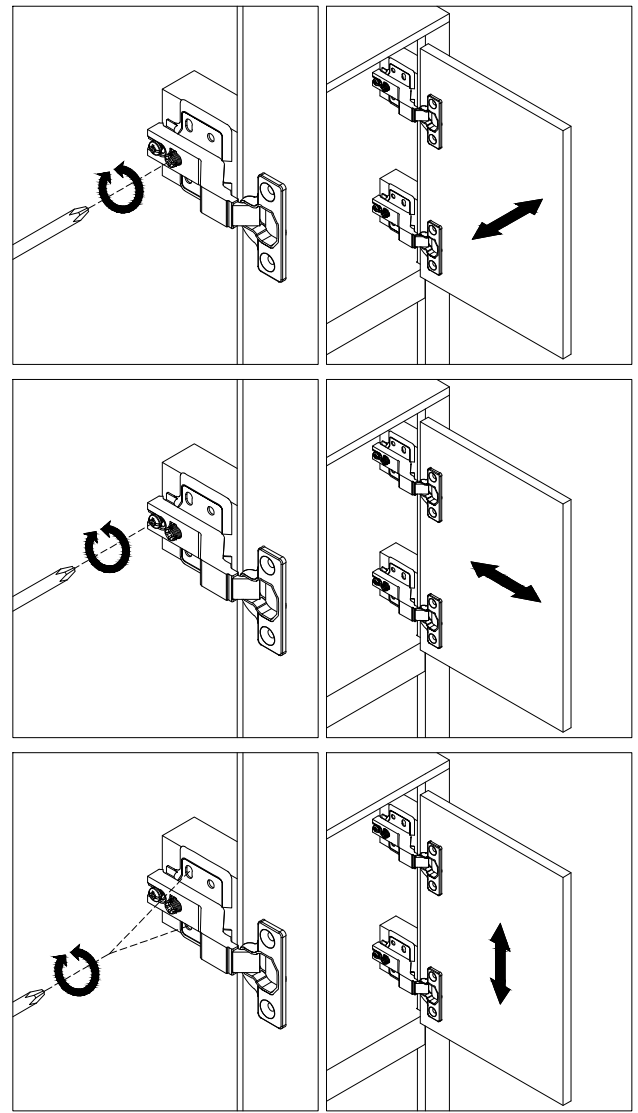
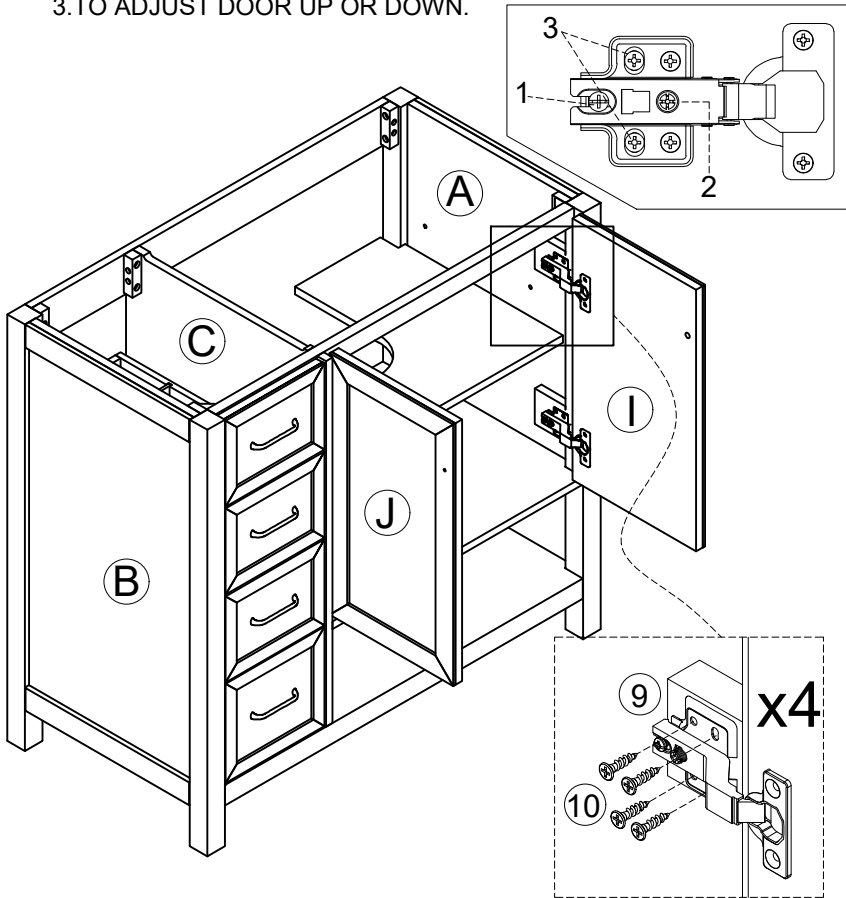


STEP 31

⑩  16pcs
Ø4x12mm

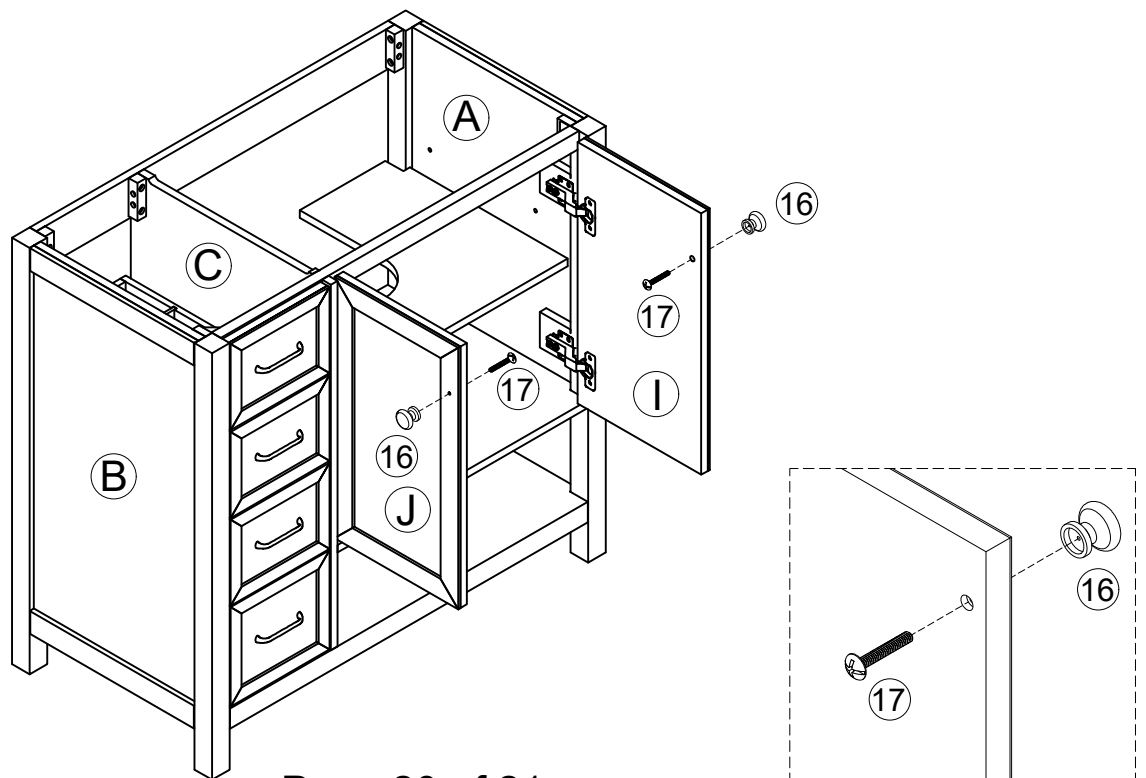
Three-way adjustable hinge for perfectly aligned doors

1. TO ADJUST DOOR FORWARD OR BACKWARD.
2. TO ADJUST DOOR TO RIGHT OR TO LEFT.
3. TO ADJUST DOOR UP OR DOWN.

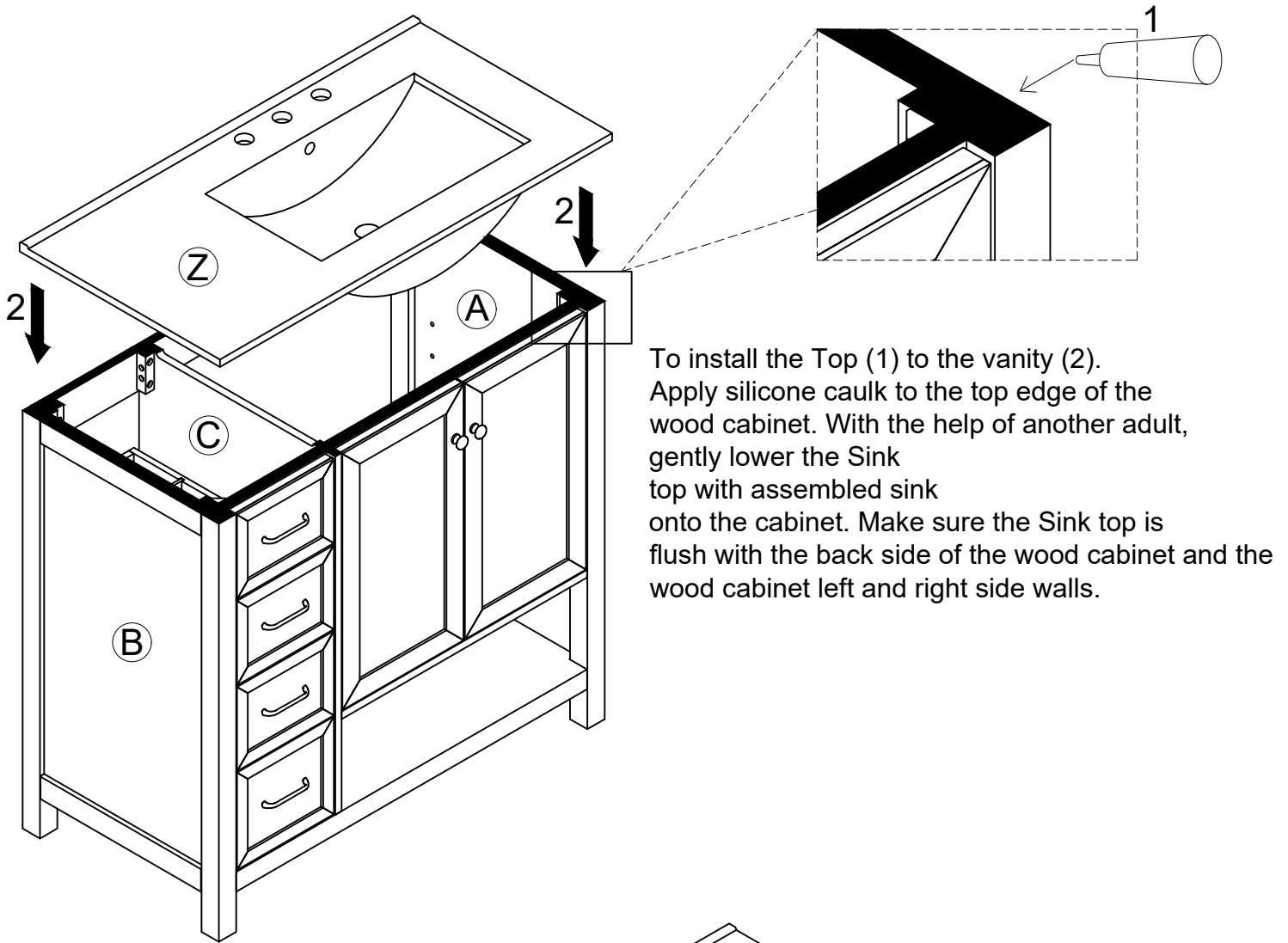


STEP 32

⑩⑥  2pcs ⑩⑦  2pcs
5/32"x15mm



STEP 33



To install the Top (1) to the vanity (2). Apply silicone caulk to the top edge of the wood cabinet. With the help of another adult, gently lower the Sink top with assembled sink onto the cabinet. Make sure the Sink top is flush with the back side of the wood cabinet and the wood cabinet left and right side walls.

STEP 34

