



ASSEMBLY INSTRUCTIONS

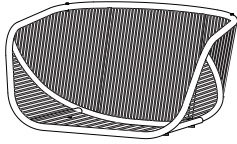
Rocking Sofa Armchair

Please keep this booklet safe for future reference

Inventory

①

Seat Bottom
x1



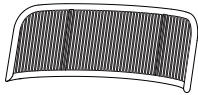
⑤

Support Tube
Front
x1



②

Seat Top
x1



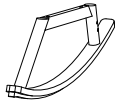
⑥

Support Tube
Back
x1



③

Leg Tube Left
x1



⑦

Cushion
x1



④

Leg Tube Right
x1



Inventory

A

Bolt A
M6x20
x4



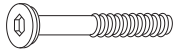
E

Big Washer E
x4



B

Bolt B
M6x50
x2



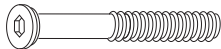
F

Allen Key F
x1



C

Bolt C
M8x60
x4



D

Small Washer D
x2



ASSEMBLY INSTRUCTIONS

Thank you for choosing our garden furniture. These instructions include important information about the assembly, use and care of your furniture. Please take a moment to read through the instructions before beginning the step by step process.

HELP & ADVICE

For any advice about assembling your product, please contact our customer support team with your order number - contact details are shown on the back page.

If you purchased a our product via one of our stockists, please contact them in the first instance to discuss their replacements or returns process.

WHAT SHOULD YOU DO IF YOU ENCOUNTER A PROBLEM?

Any faulty goods must be reported within 24 hours of delivery.

When returning an item that you purchased directly from us, please contact the support team either via email, chat or phone with your order number and they will be able to best advise you with your query.

Purchases must be registered within 28 days of delivery in order to claim your guarantee*

* For full terms on our product guarantee, please visit our website

ASSEMBLY INSTRUCTIONS

ASSEMBLY ADVICE

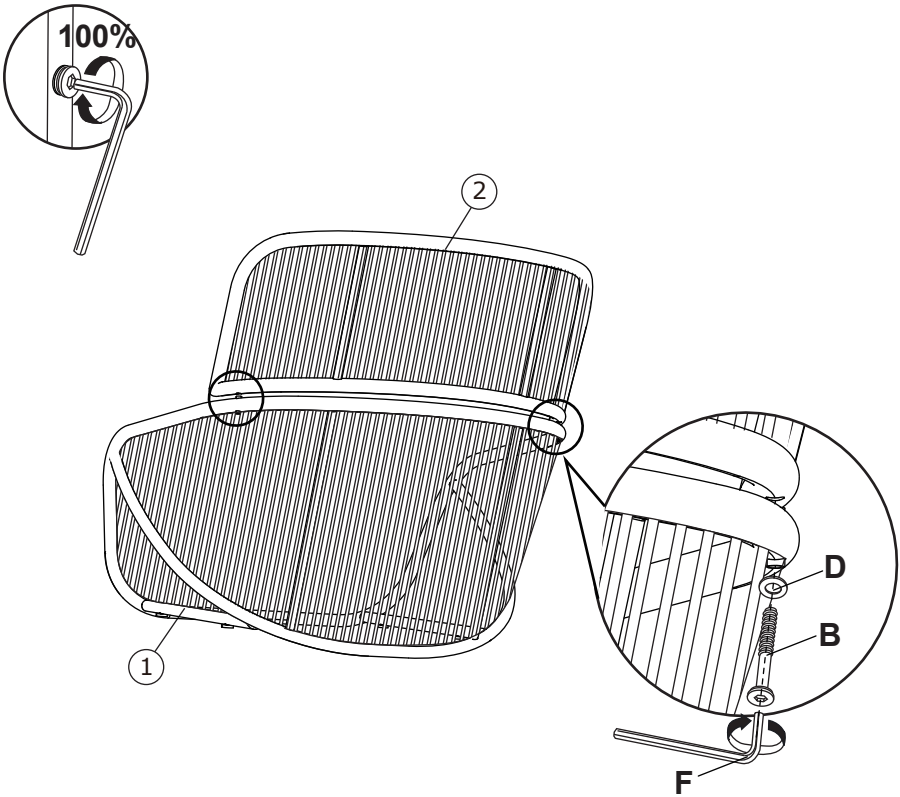
- Ensure that two people assemble the product together. Parts can be heavy, especially when lifting glass.
- Power tools are not required to assemble this product. Everything you need for the build is included with the furniture.
- Check that you have all the parts listed before you discard any packaging.
- Assemble the furniture on a non-abrasive surface such as a dust sheet or the original cardboard packaging.
- Do not over-tighten screws.
- Please ensure the product is fully assembled before use.
- Keep small parts out of reach of children.
- Make sure all legs are fitted securely and are in contact with the ground.

**Assembly
Requires**

x1 People

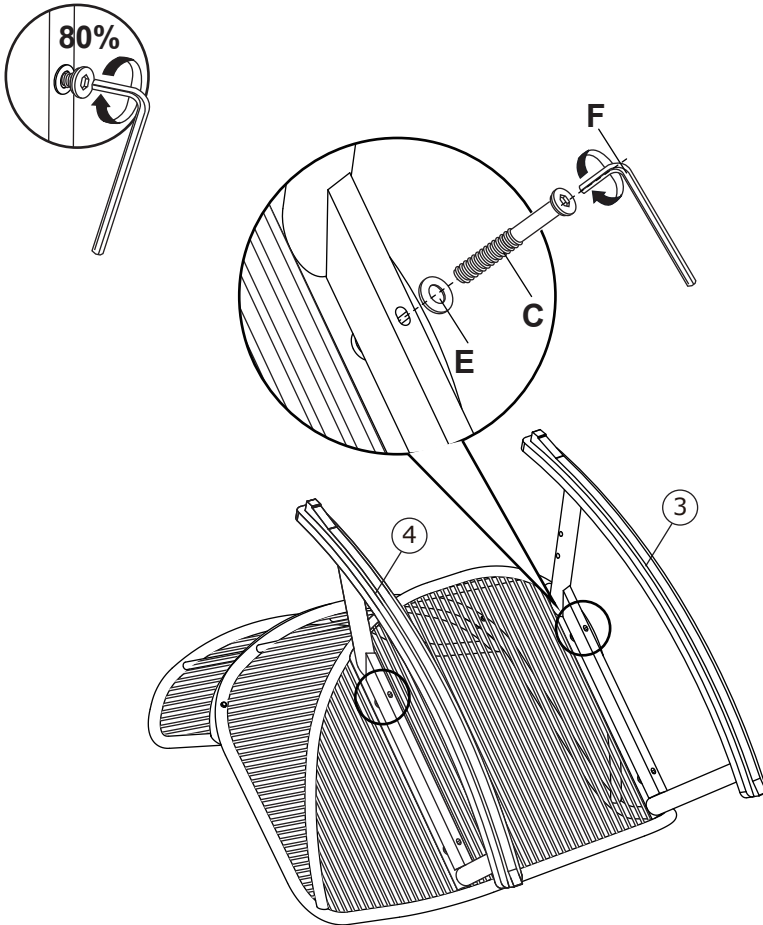
Step 1

Attached the seat top [2] to the seat bottom [1], using bolt [B], small washer [D], tighten 100% with assist of allen key [F].



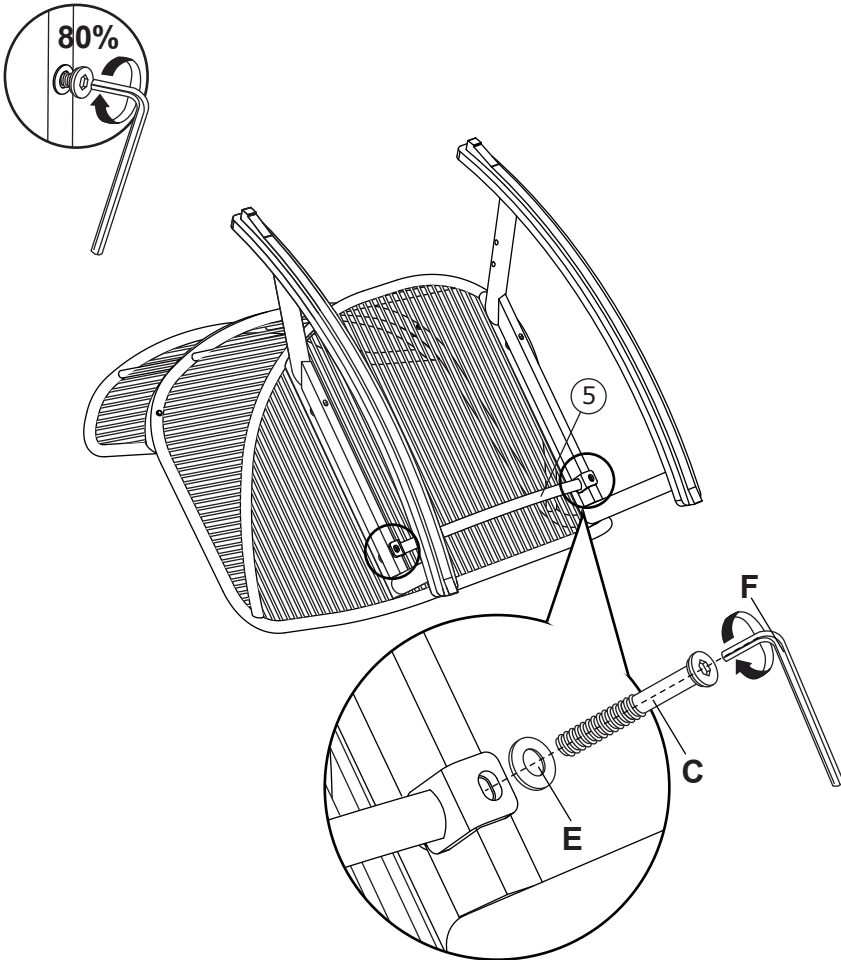
Step 2

Attach the leg tubes [3&4] to the seat bottom [1], using bolt [C], big washer [E], tighten 80% with assist of allen key [F].



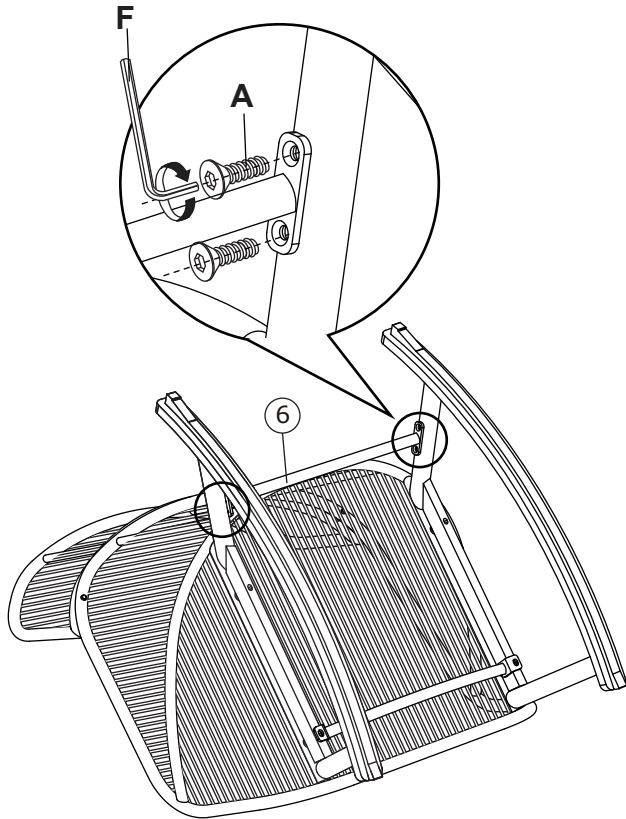
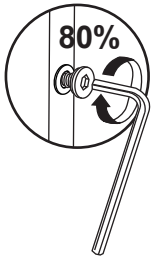
Step 3

Attach the support tube front [5] to the leg tubes [3&4], using bolt [C], big washer[E], tighten 80% with assist of allen key[F].



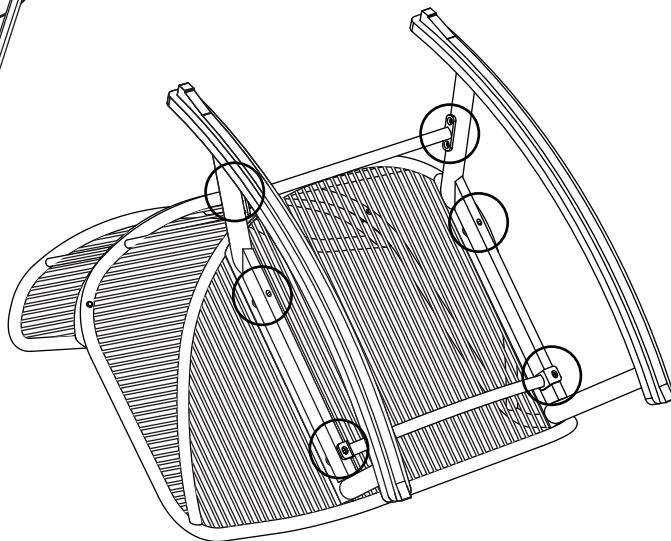
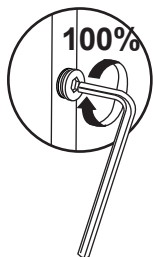
Step 4

Attach the support tube back [6] to the leg tubes [3&4], using bolt [A], tighten 80% with assist of allen key[F].



Step 5

Once all the bolts are in position, tighten 100% with assist of allen key[F].



Step 6

Place the cushion [7] on your chair, locate in desired position.
Your rocking sofa armchair is now ready for use.



Care & Maintenance

To uphold the Terms & Conditions outlined in our guarantee and to maintain the condition of your furniture, we recommend that you follow the guidance below

FURNITURE CUSHIONS

- During prolonged periods of non-use or bad weather, store cushions in a dry, well-ventilated indoor space. Always ensure they are clean and fully dry before storing.
- Check regularly for signs of mould, mildew or animal damage.
- Wipe away spills immediately with a clean, absorbent cloth or sponge.

TABLE TOPS

- Use coasters to protect against heat and water marks.
- Avoid tilting tables, as this may loosen glass or ceramic tops.
- Clean up spills promptly to prevent staining.
- Use a household glass or multi-surface cleaner with a soft sponge to clean surfaces.

RATTAN & OUTDOOR ROPE

- Remove leaves and garden debris with a soft brush.
- For dirt or marks, clean using lukewarm, detergent-free soapy water and a non-abrasive sponge. Rinse with fresh water and allow to dry.
- Use a Bramblecrest furniture cover when not in use to protect from debris and weathering.

TEXTILENE

- Remove leaves and garden debris with a soft brush.
- Clean using lukewarm soapy water and a soft cloth.
- Avoid using abrasive cleaners or brushes.
- Rinse thoroughly and allow to dry naturally.

ASSEMBLY INSTRUCTIONS

ALUMINIUM

- Clean with a non-abrasive sponge and warm soapy water, then rinse thoroughly.
- Powder-coated aluminium can remain outdoors all year round with minimal maintenance.
- Use a Bramblecrest furniture cover when not in use to protect from debris and bird droppings.

PARASOLS

- Do not leave parasols open or unattended. Close and cover when not in use or in windy conditions.
- Ensure the canopy is dry before covering or storing.
- During extended periods of non-use, store in a dry, well-ventilated indoor space.

TEAK

- Teak should be left uncovered to allow natural weathering to a silver-grey patina.
- Clean with warm soapy water and a stiff brush, then rinse thoroughly.

*Proprietary products are to be used at the direction of the customer. We does not accept liability or responsibility for any damage caused to the furniture following the use of a proprietary product. Bramblecrest recommend that customers carefully follow all instructions prior to use.