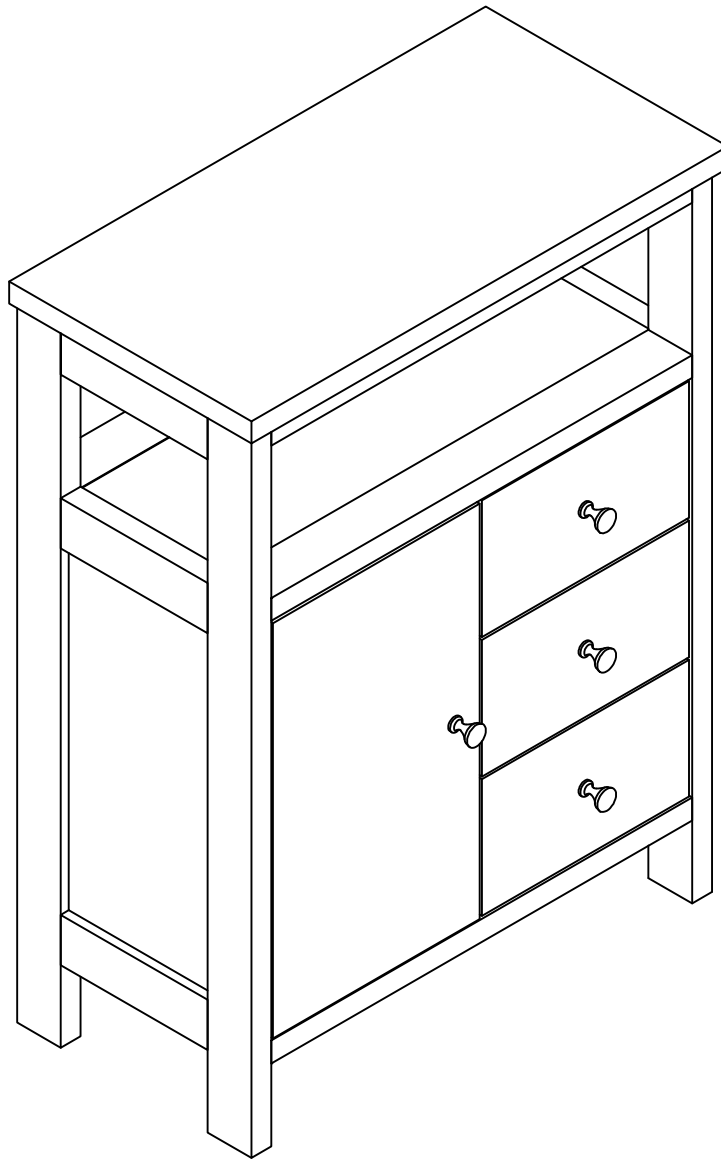
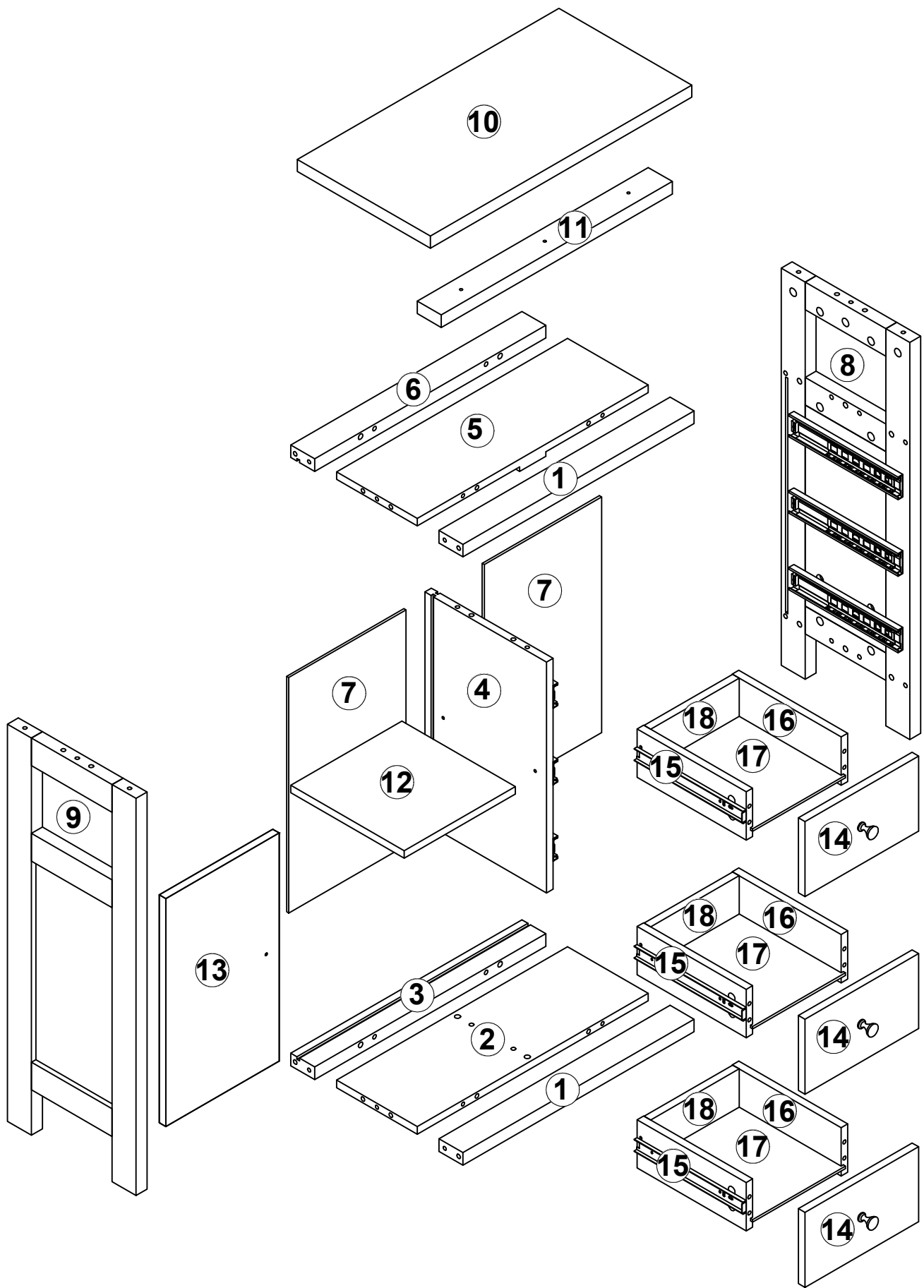


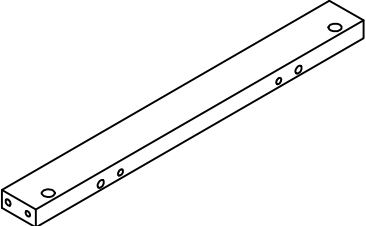
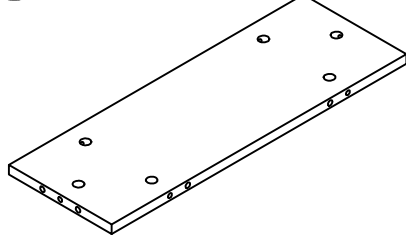
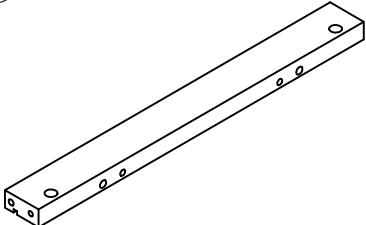
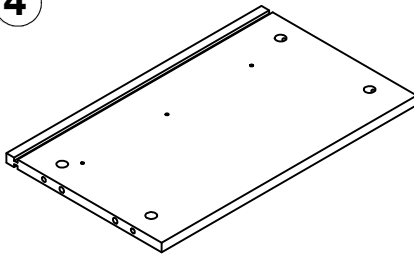
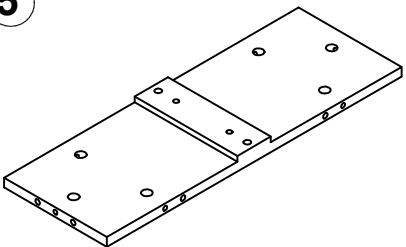
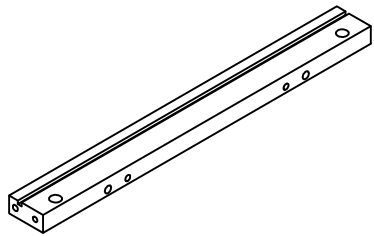
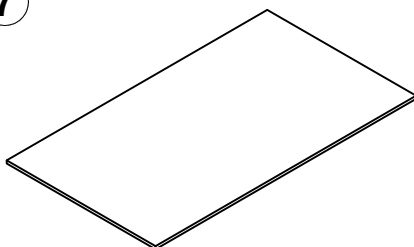
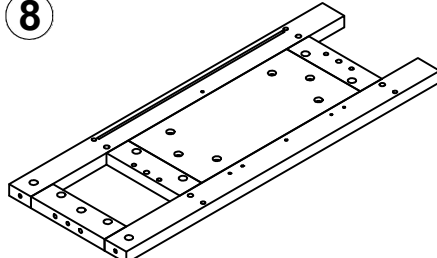
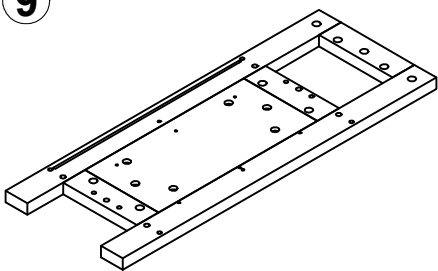
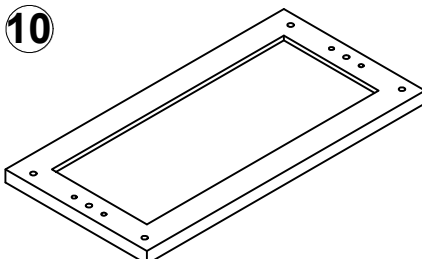
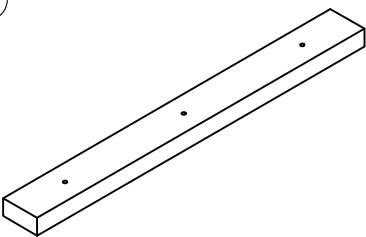
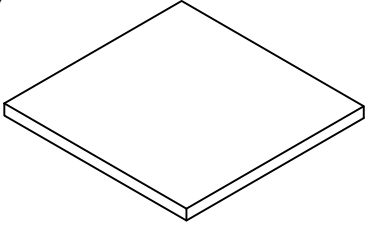
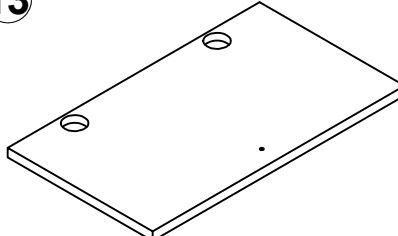
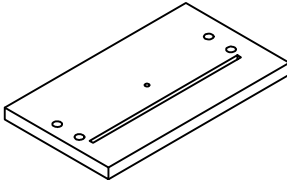
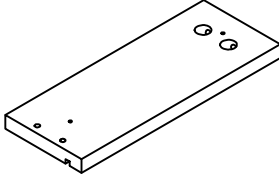
specification



Three bucket single door cabinet

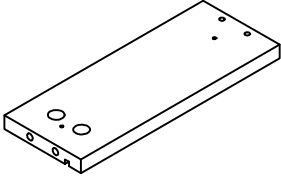


Installation steps

<p>1</p>  <p>530X55 x2 pcs</p>	<p>2</p>  <p>530X185 x1 pc</p>	<p>3</p>  <p>530X55 x1 pc</p>
<p>4</p>  <p>458X279 x1 pc</p>	<p>5</p>  <p>530X185 x1 pc</p>	<p>6</p>  <p>530X55 x1 pc</p>
<p>7</p>  <p>468X267.5 x2 pcs</p>	<p>8</p>  <p>789X295 x1 pc</p>	<p>9</p>  <p>789X295 x1 pc</p>
<p>10</p>  <p>800X305 x1 pc</p>	<p>11</p>  <p>530X55 x1 pc</p>	<p>12</p>  <p>257X259 x1 pc</p>
<p>13</p>  <p>453X260.5 x1 pc</p>	<p>14</p>  <p>260.5X149 x3 pcs</p>	<p>15</p>  <p>250X96 x3 pcs</p>

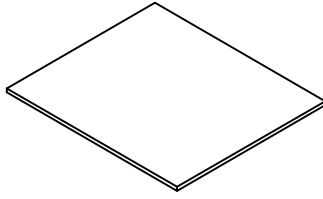
Installation steps

16



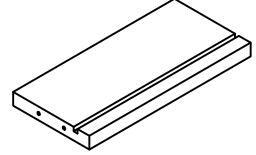
250X96 x3 pcs

17



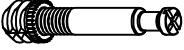


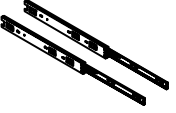
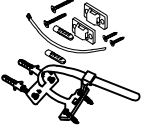
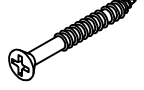
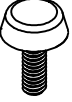



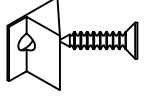
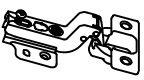
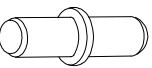

213X245 x3 pcs

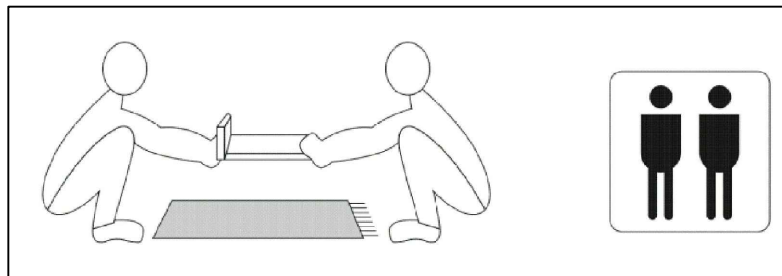
18



203X96 x3 pcs

Installation steps

A 3 in 1 Cam Screws  x 38 pcs	B Cam Lock Fasteners  x38 pcs	C 8*30 CDowel  x 32 pcs	D Drawer Slides 10'  x 3 pcs
E Wall Fixing Pack  x 2 Set	F 3.5*35mm Screw  x 17 pcs	G Protective Feet  x 4 pcs	H Laminate nails  x 4 pcs
I 4*18mm Screw  x 4 pcs	J 3.5*14mm Screw  x 48 pcs	K Mending Wedges  <small>M3.5X20MM</small> x 14 pcs	L door hinge  x 2 pcs
M Laminate nails  x 4 pcs	N  x 1 pc		

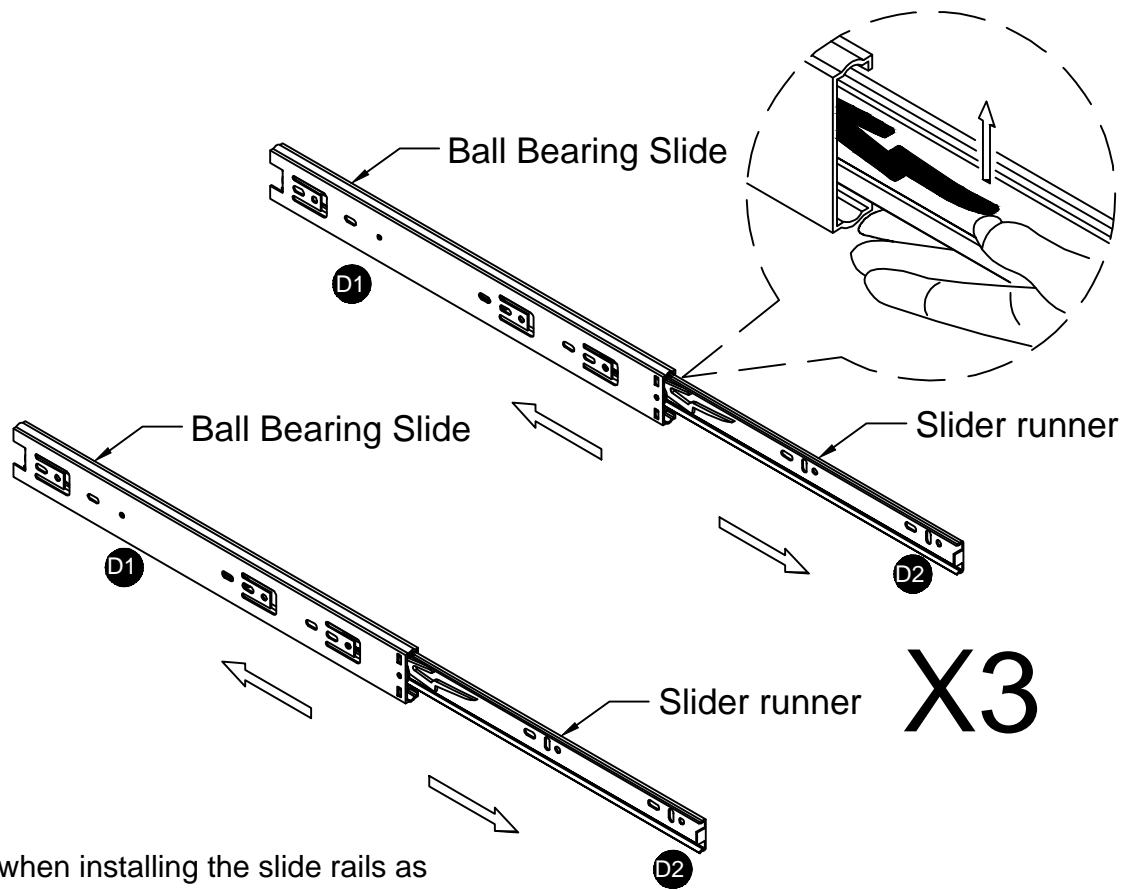


TIPS

1. When installing the product, use a soft surface (such as carpet or cardboard) to avoid scratching or damaging the surface of the product.
2. Please try to use a manual screwdriver instead of an electric screwdriver. A manual screwdriver can be used to better control the tightness of the screws.
3. Do not use glue.
4. The product is unstable before assembly. Please observe the product installation sequence and align all screws and screw holes before tightening.
5. The structure of this product may not meet the requirements of children climbing.

Installation steps

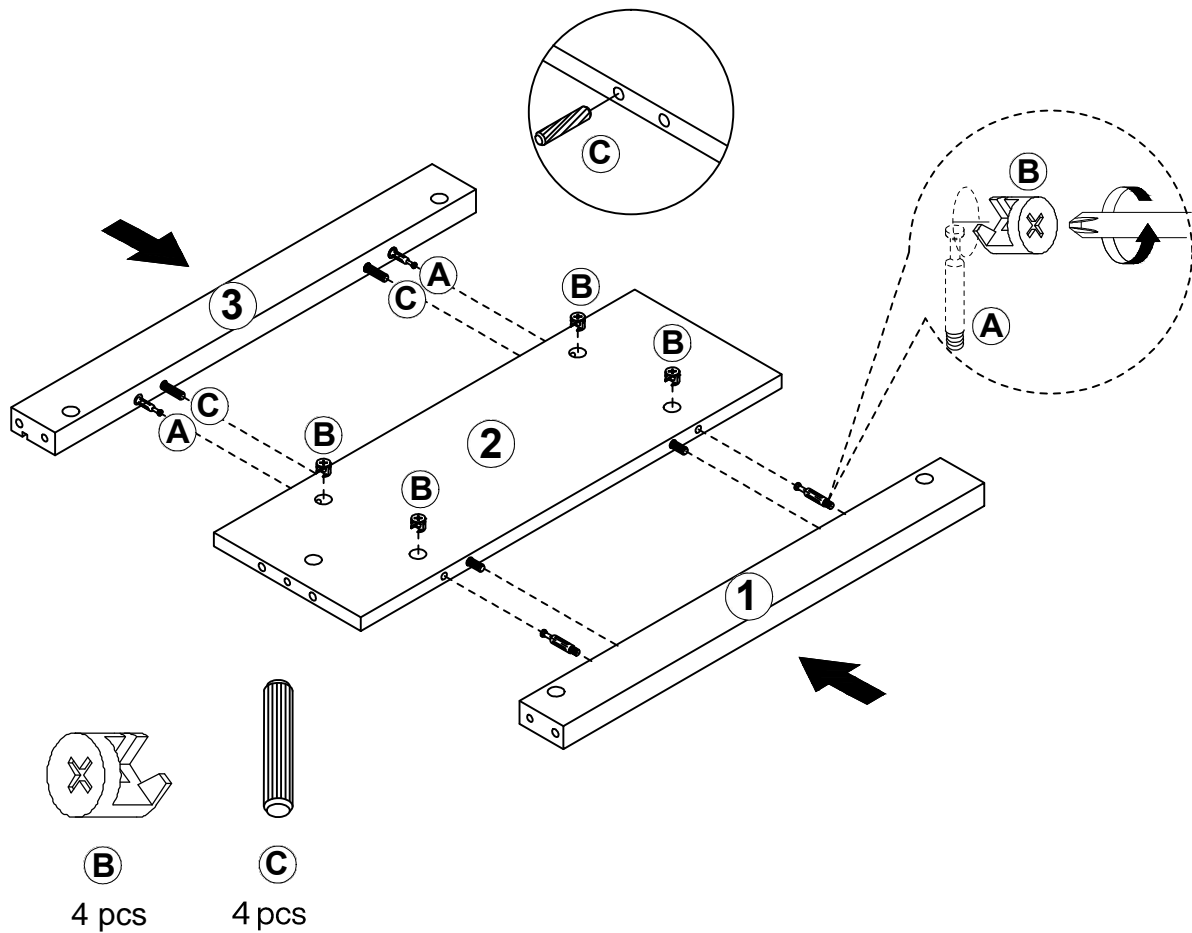
1



Attention:

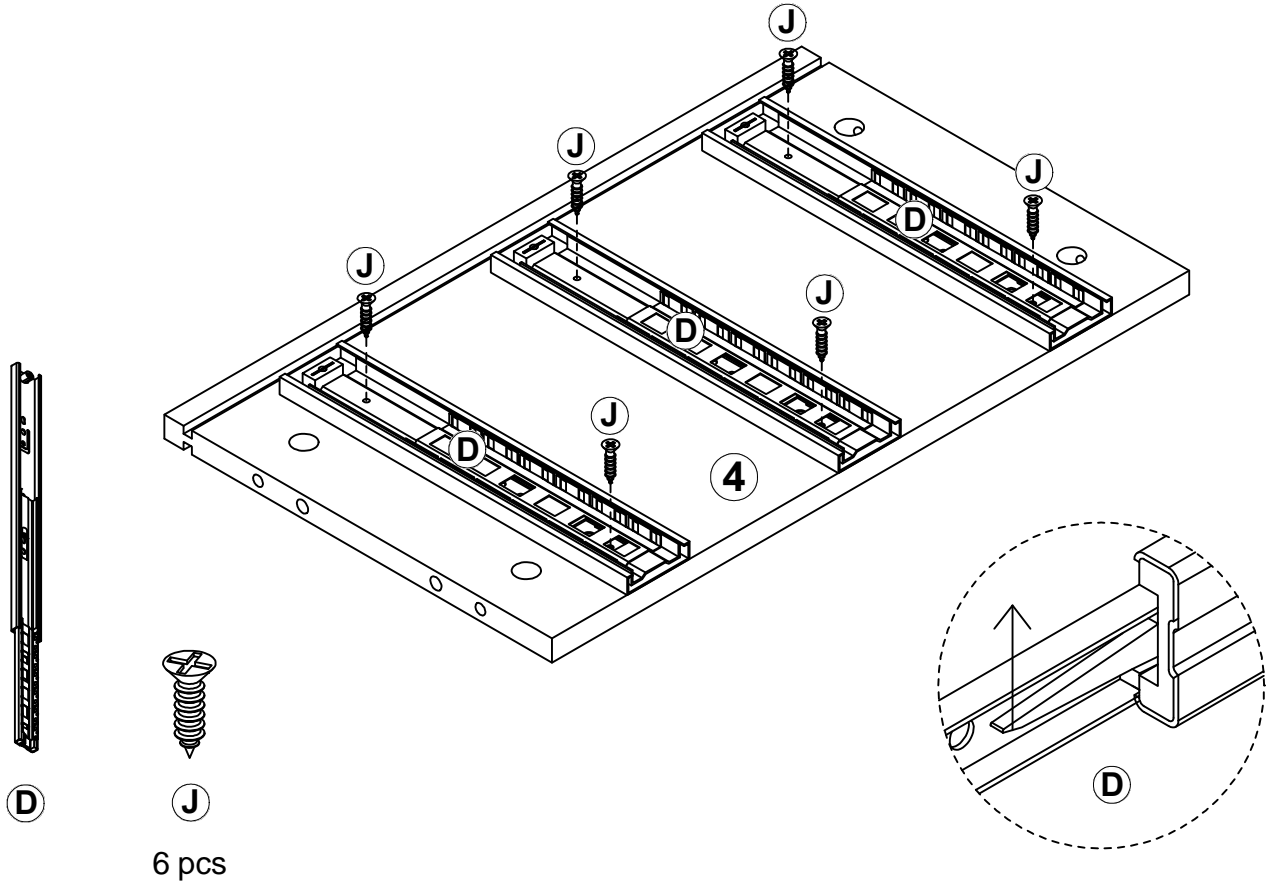
Take care when installing the slide rails as they have been pre-lubricated

2

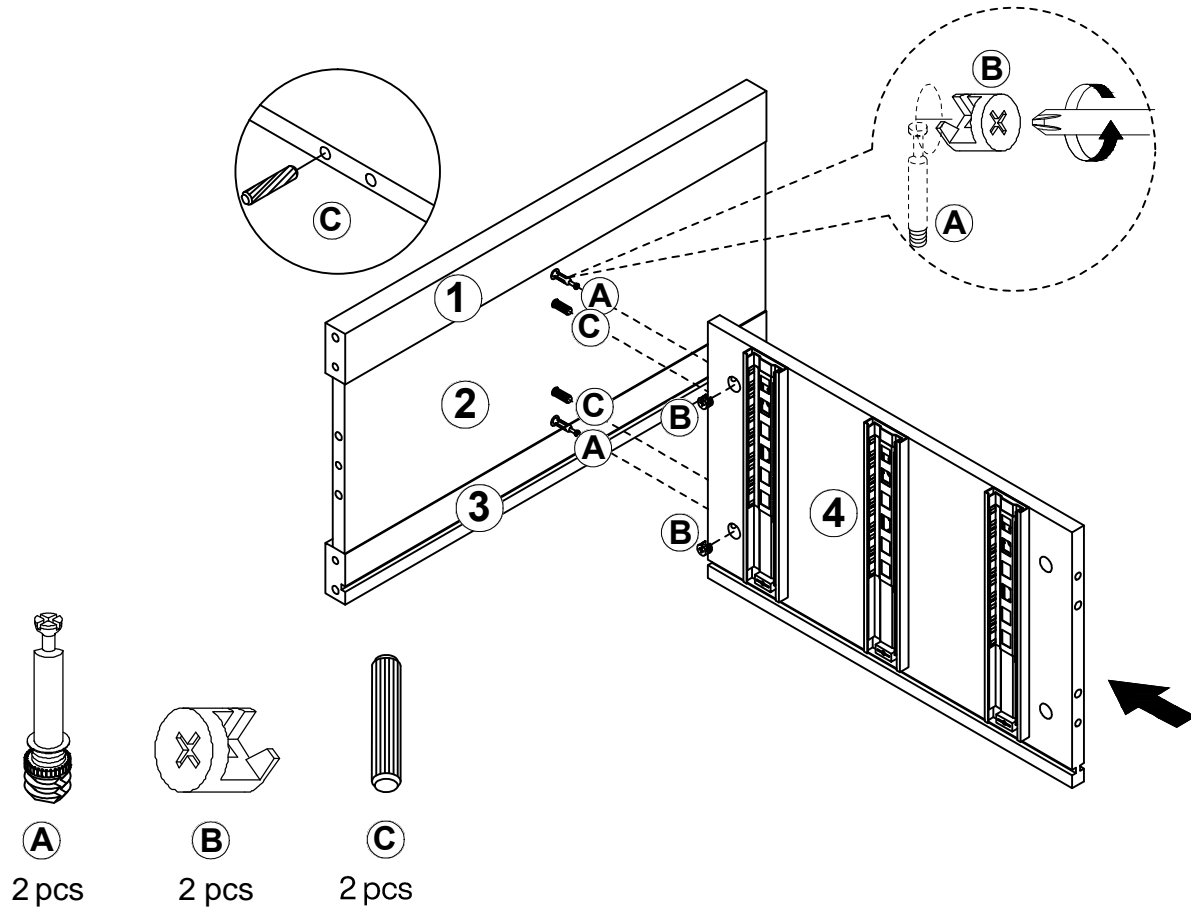


Installation steps

3

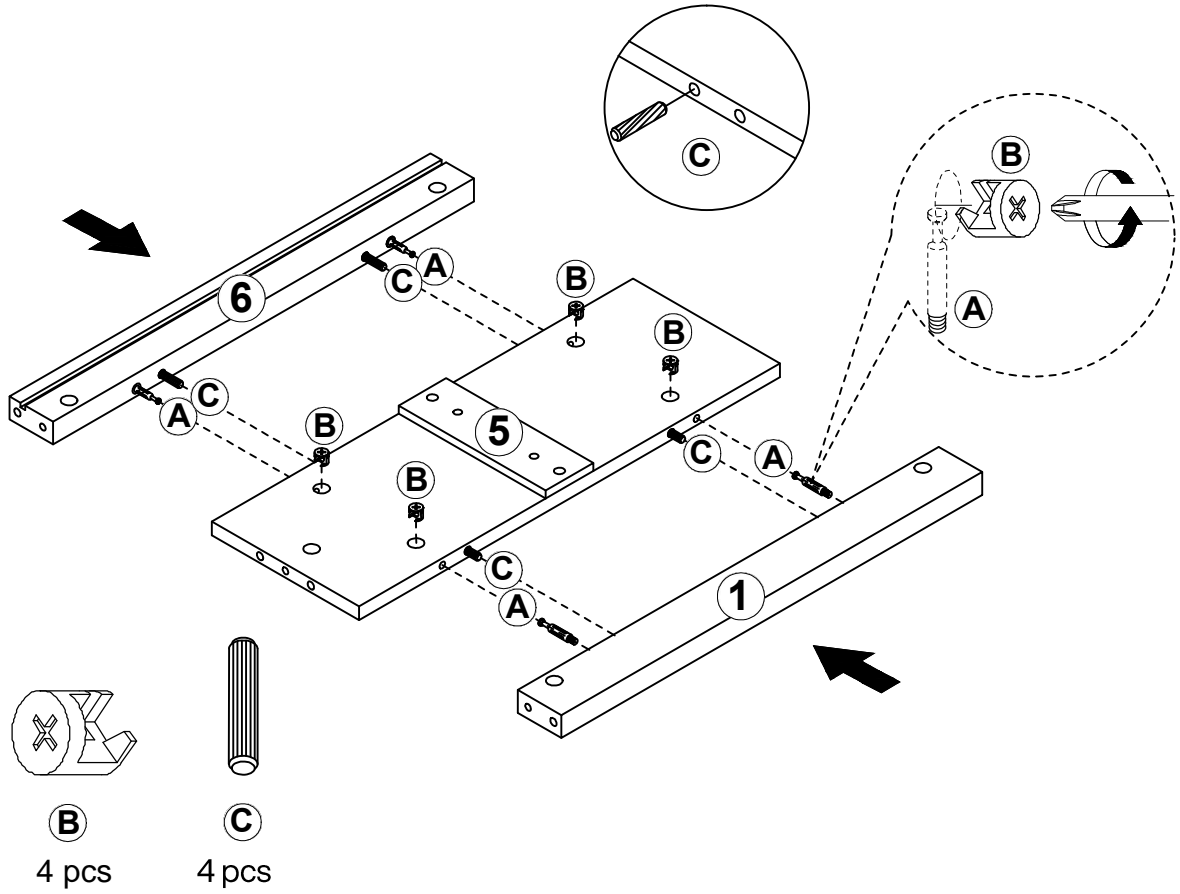


4

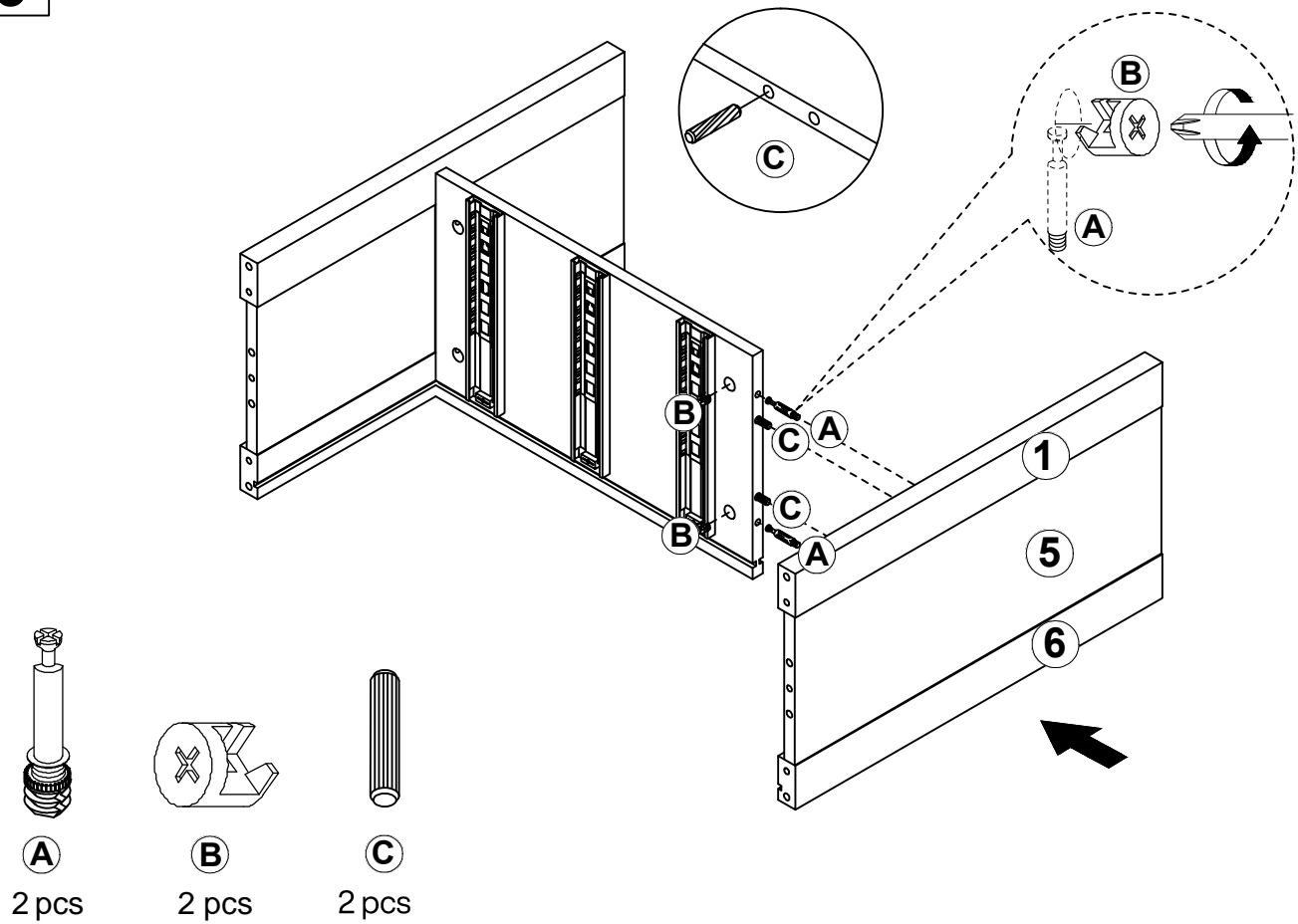


Installation steps

5

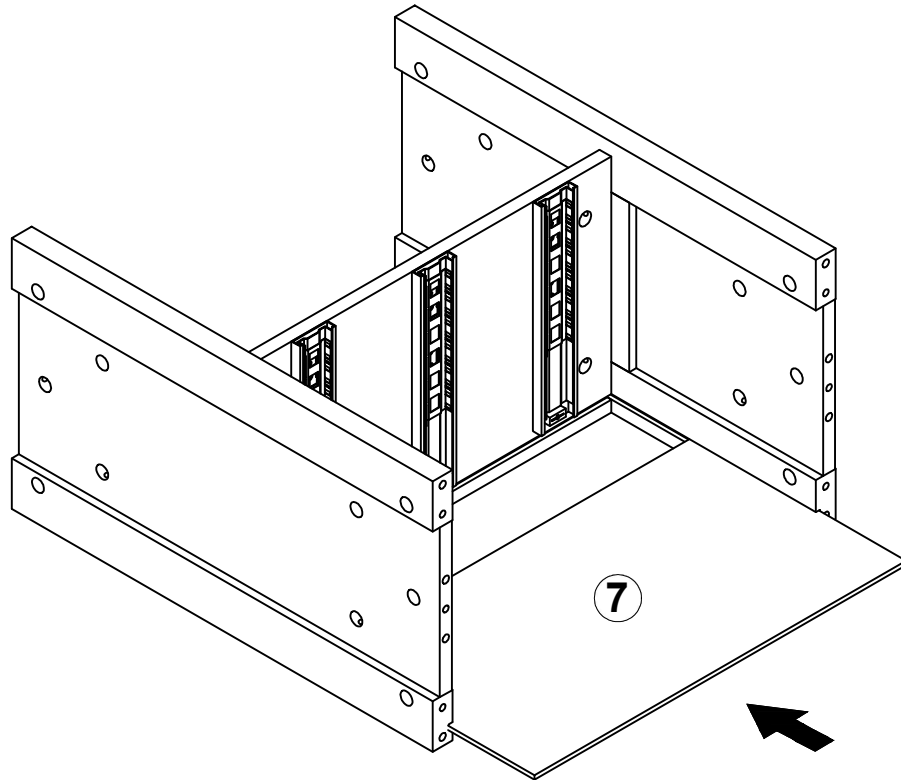


6

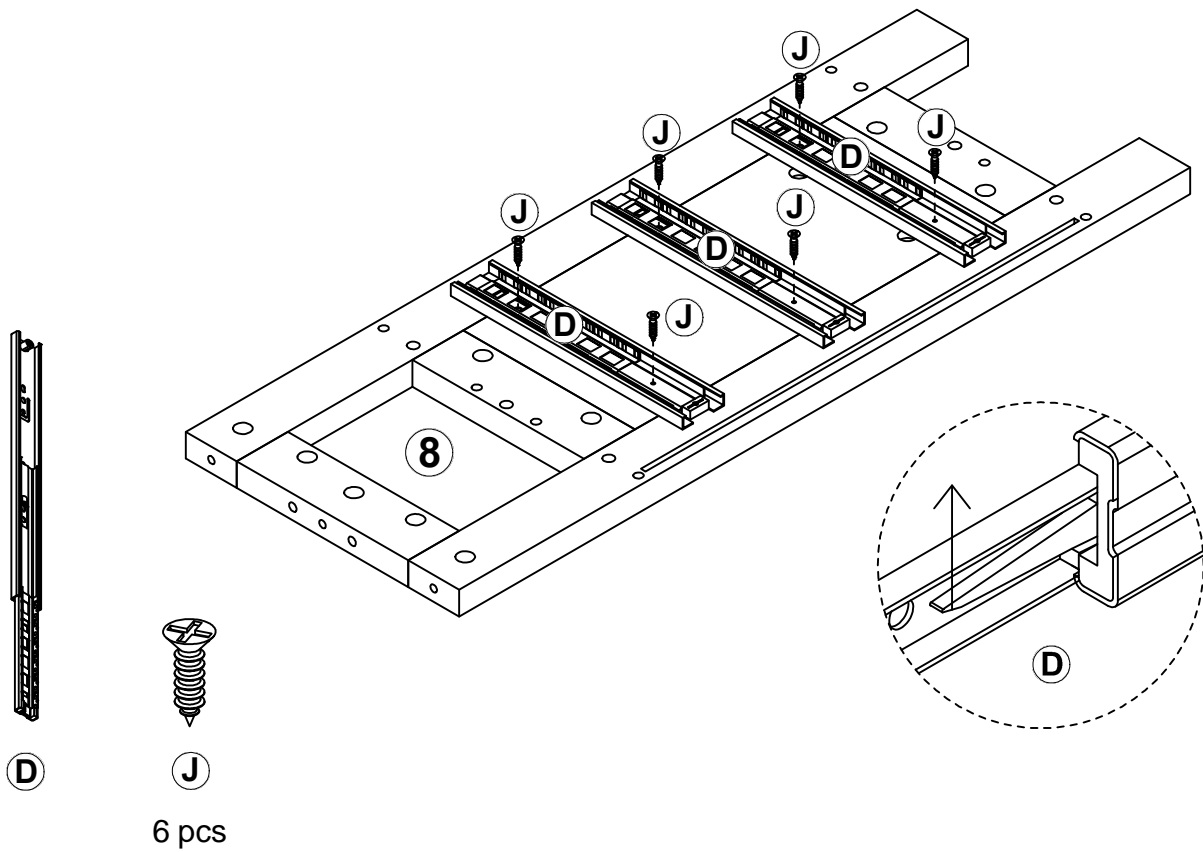


Installation steps

7

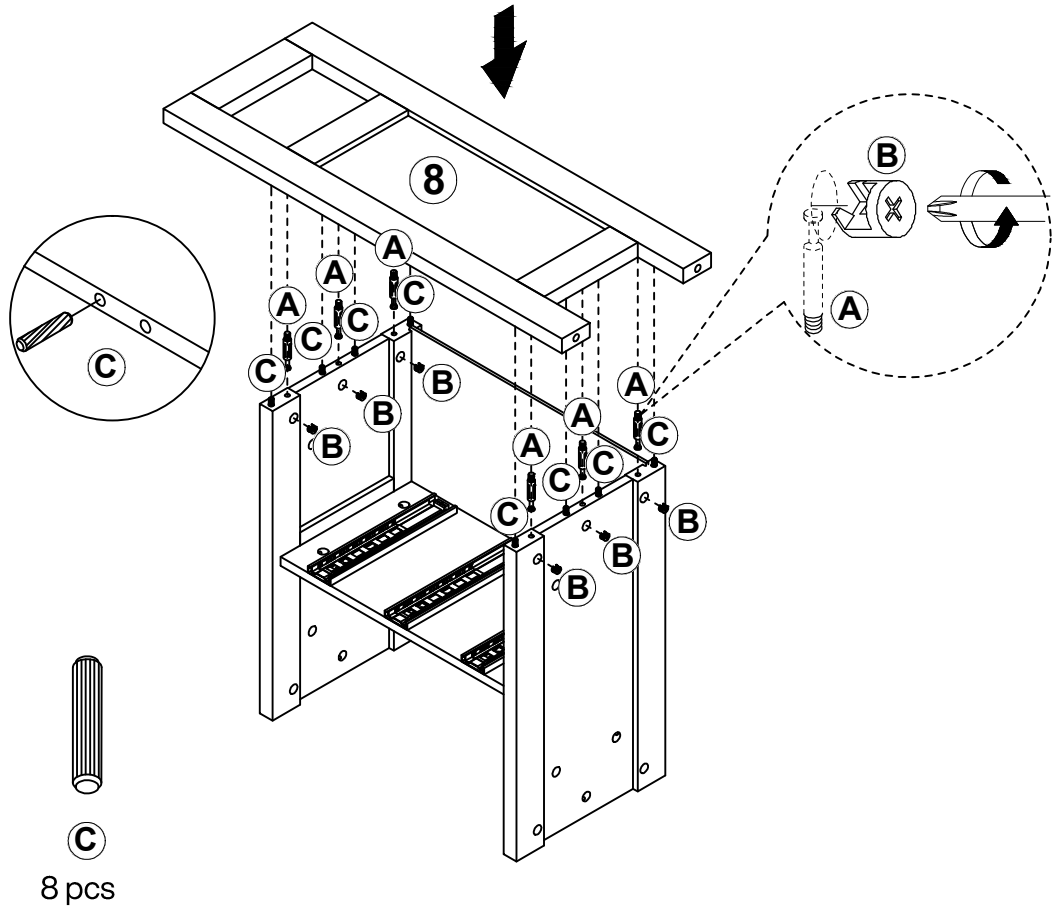


8

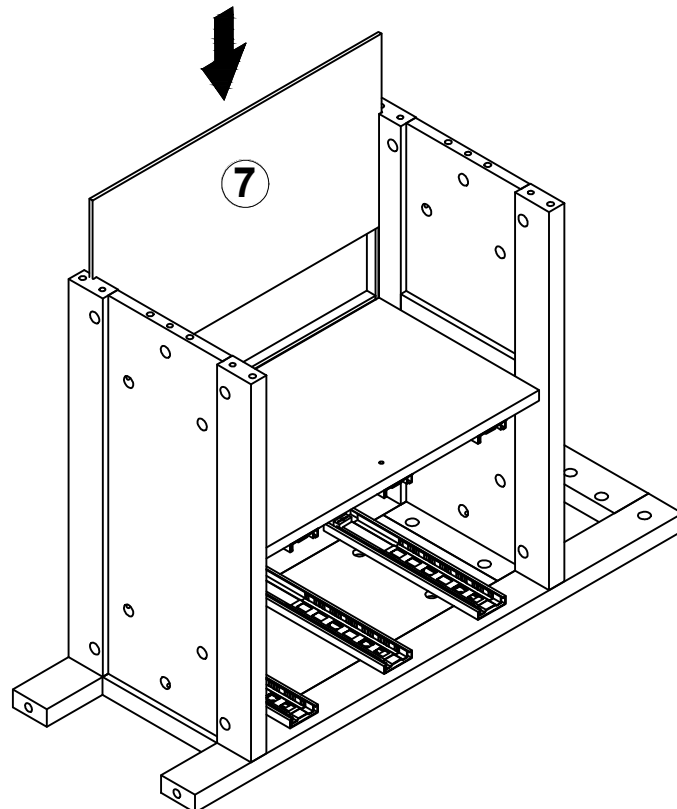


Installation steps

9

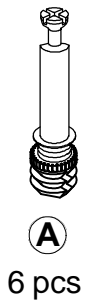
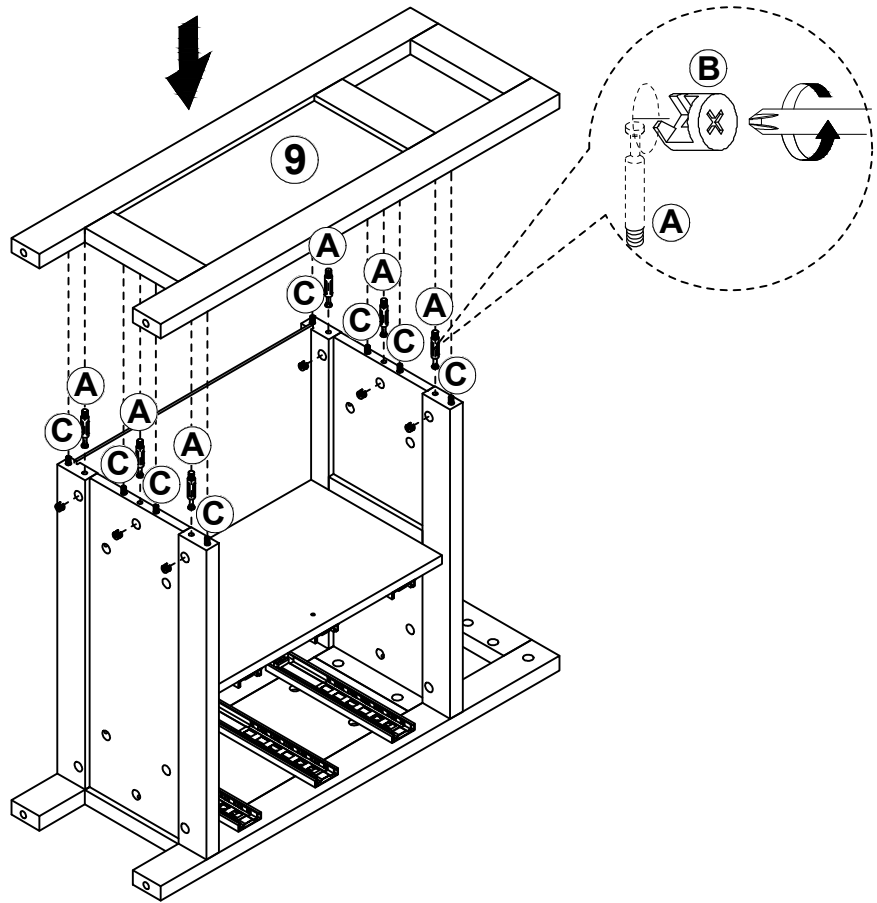


10



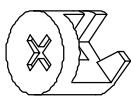
Installation steps

11



A

6 pcs



B

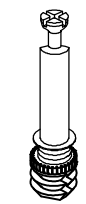
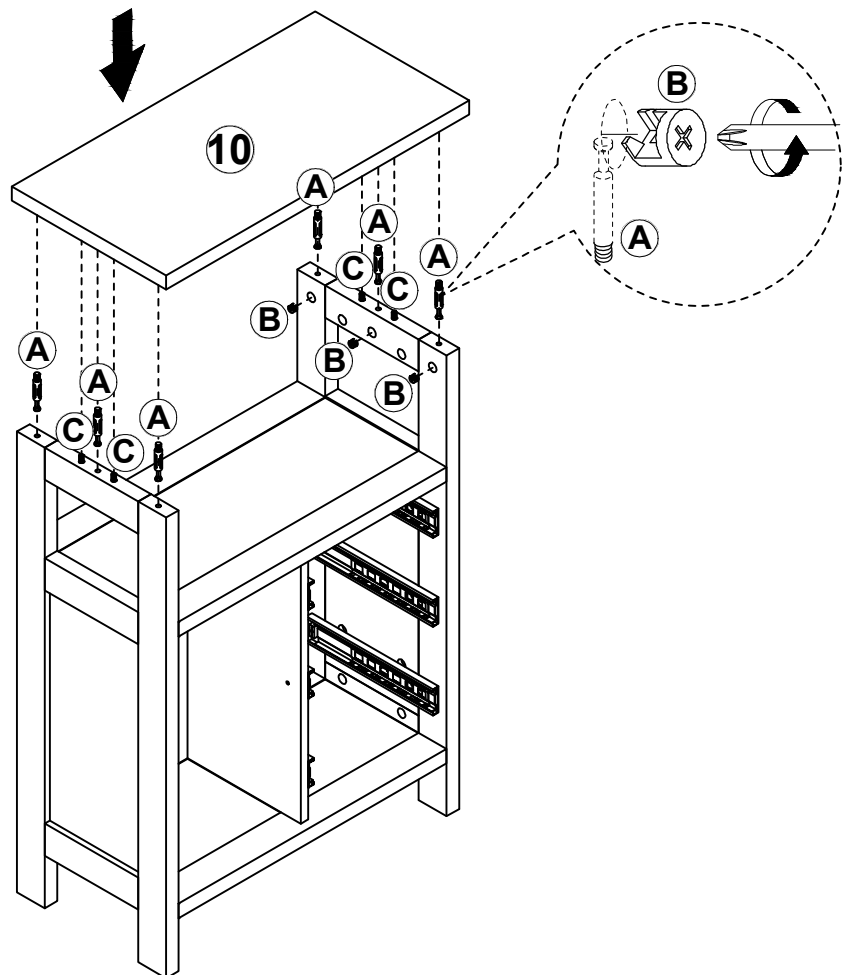
6 pcs



C

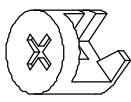
8 pcs

12



A

6 pcs



B

6 pcs

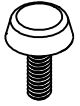
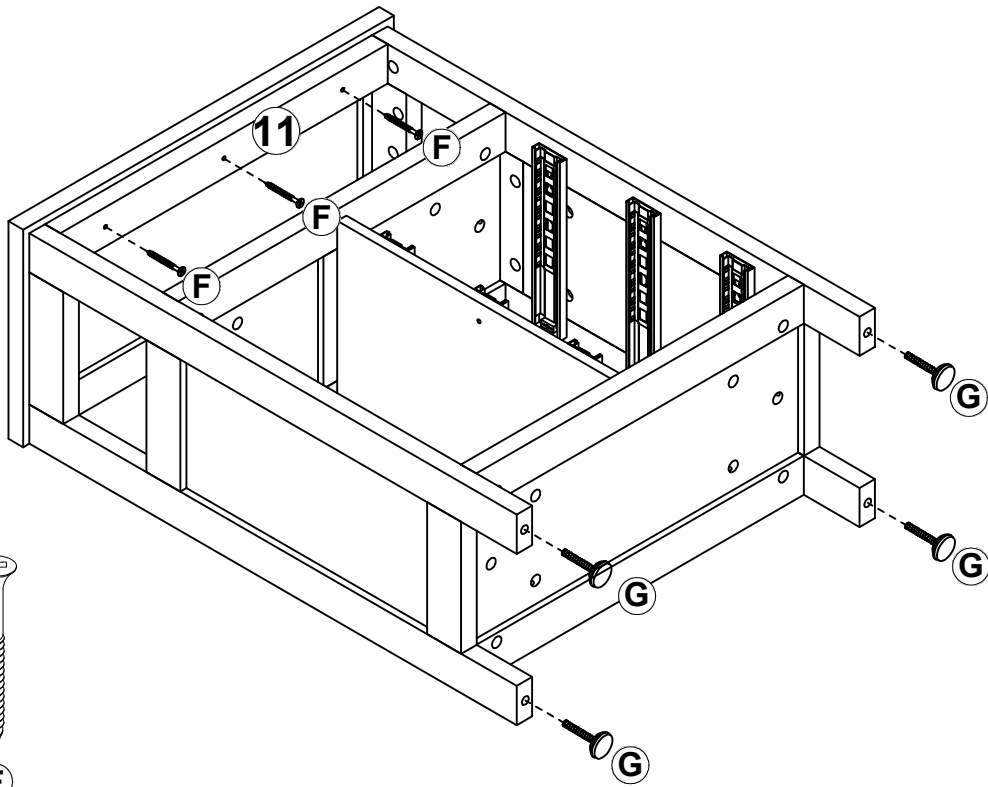


C

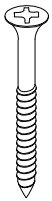
4 pcs

Installation steps

13

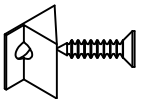
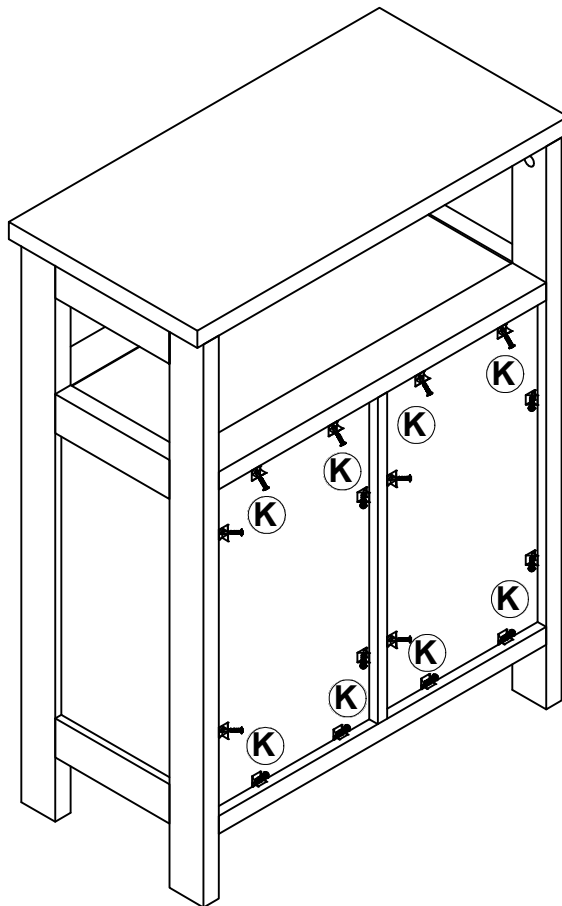


G
4 pcs



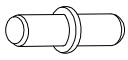
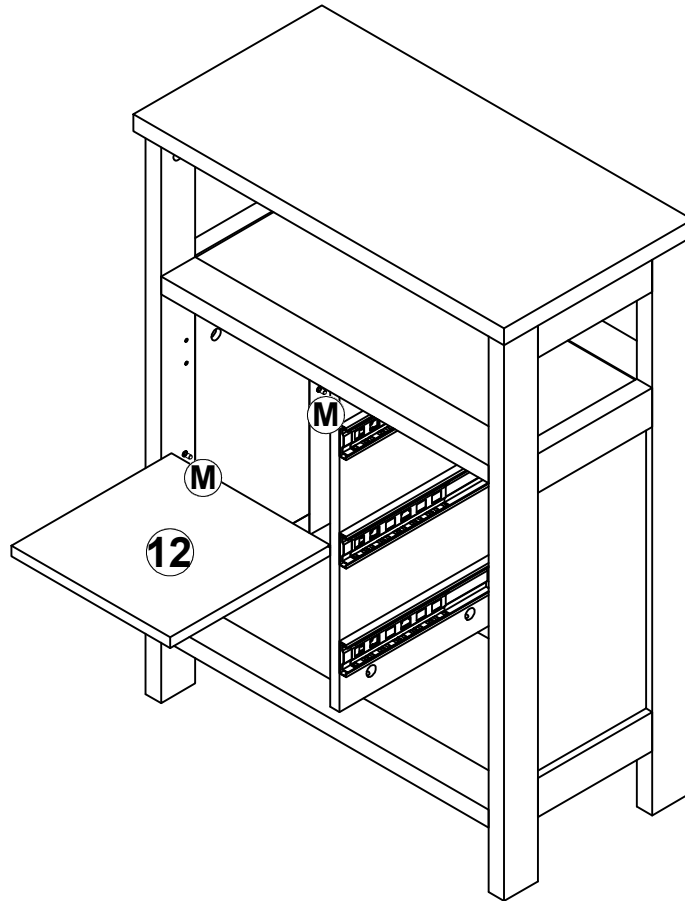
F
3 pcs

14



K
16 pcs

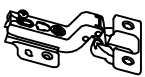
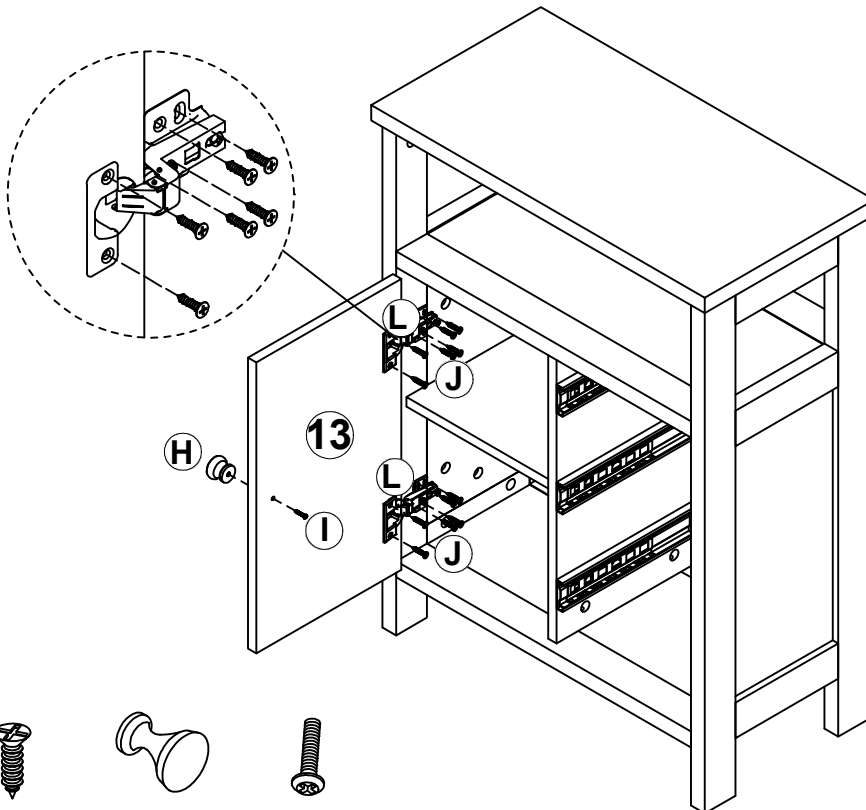
15



M

4 pcs

16



L

8 pcs



J

48 pcs



H

1pc

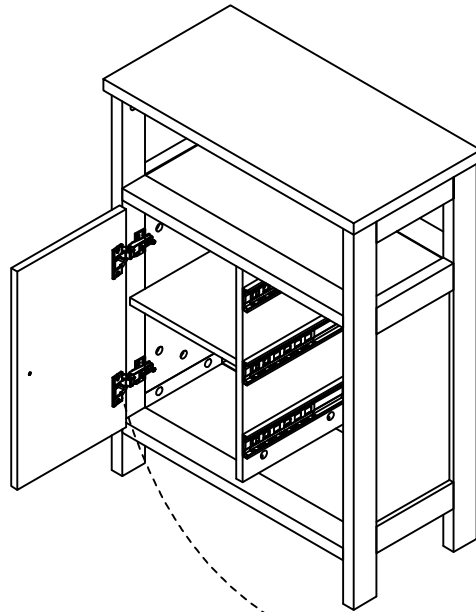
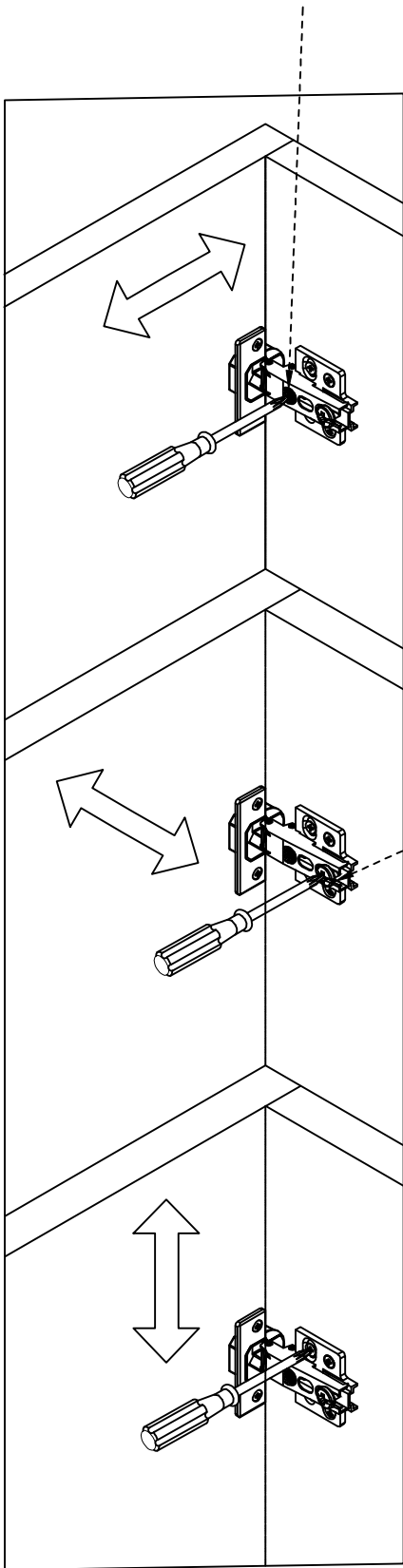


I

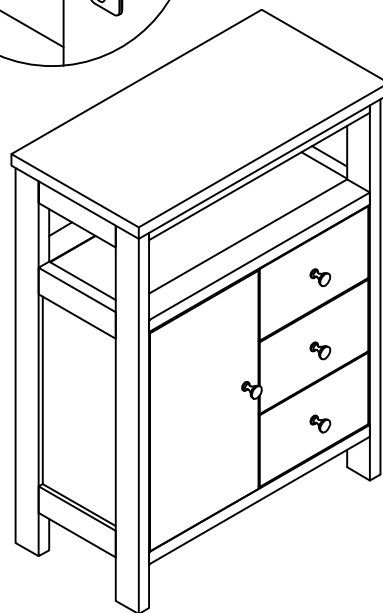
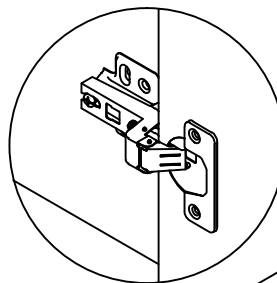
1pc

17

Adjustable cabinet door up and down

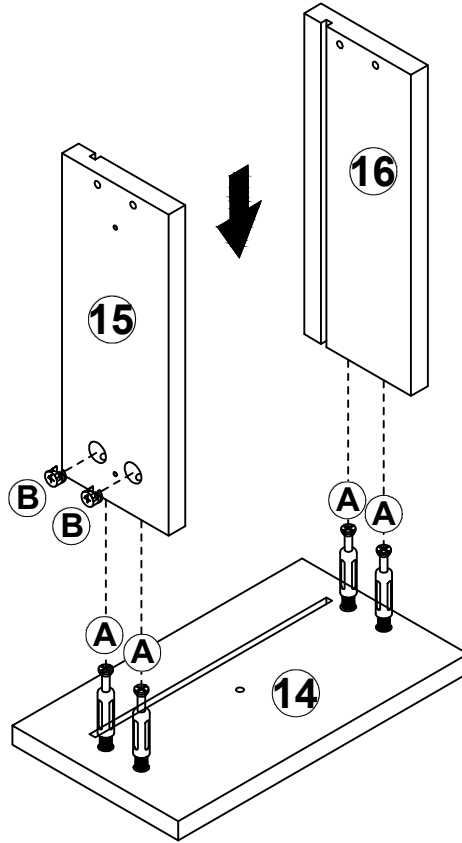


Adjustable cabinet doors front and back



Installation steps

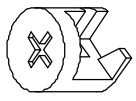
18



X3

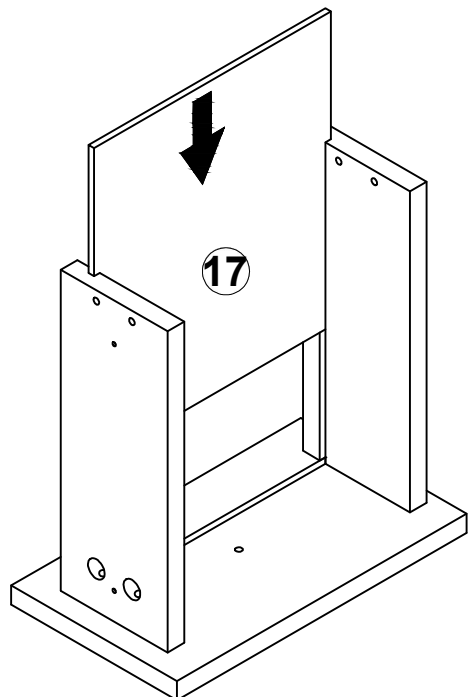


A
12pcs



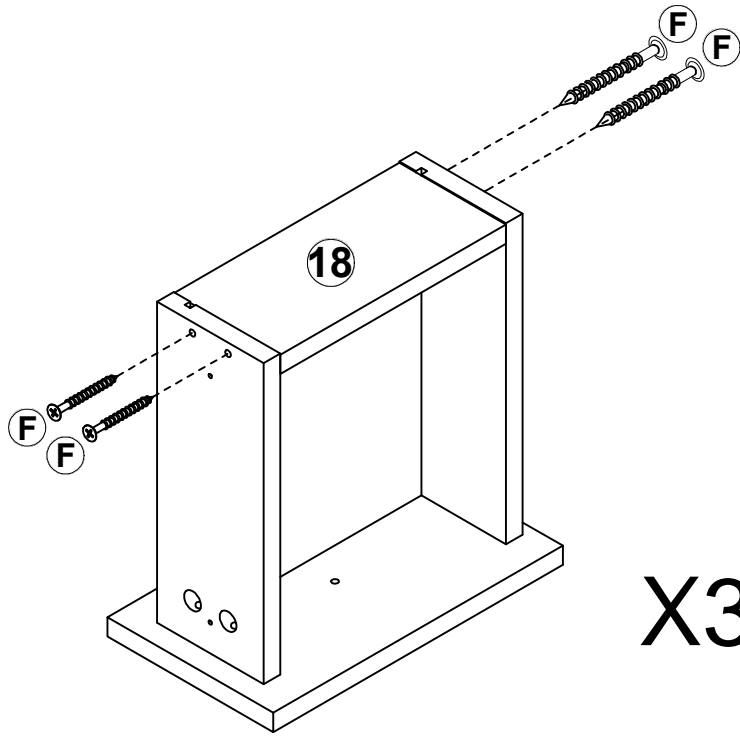
B
12pcs

19

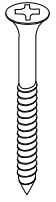


Installation steps

20



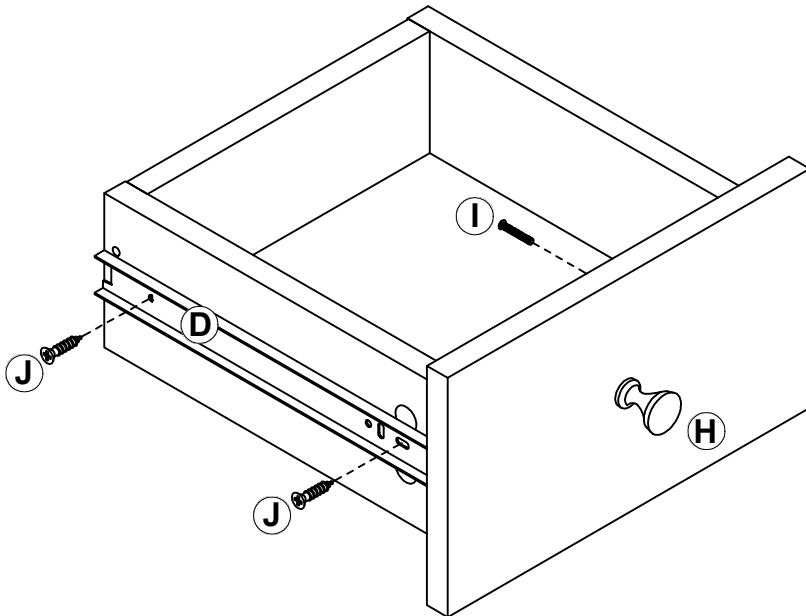
X3



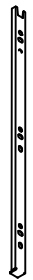
F

20 pcs

21



X3



D



J

12 pcs



H

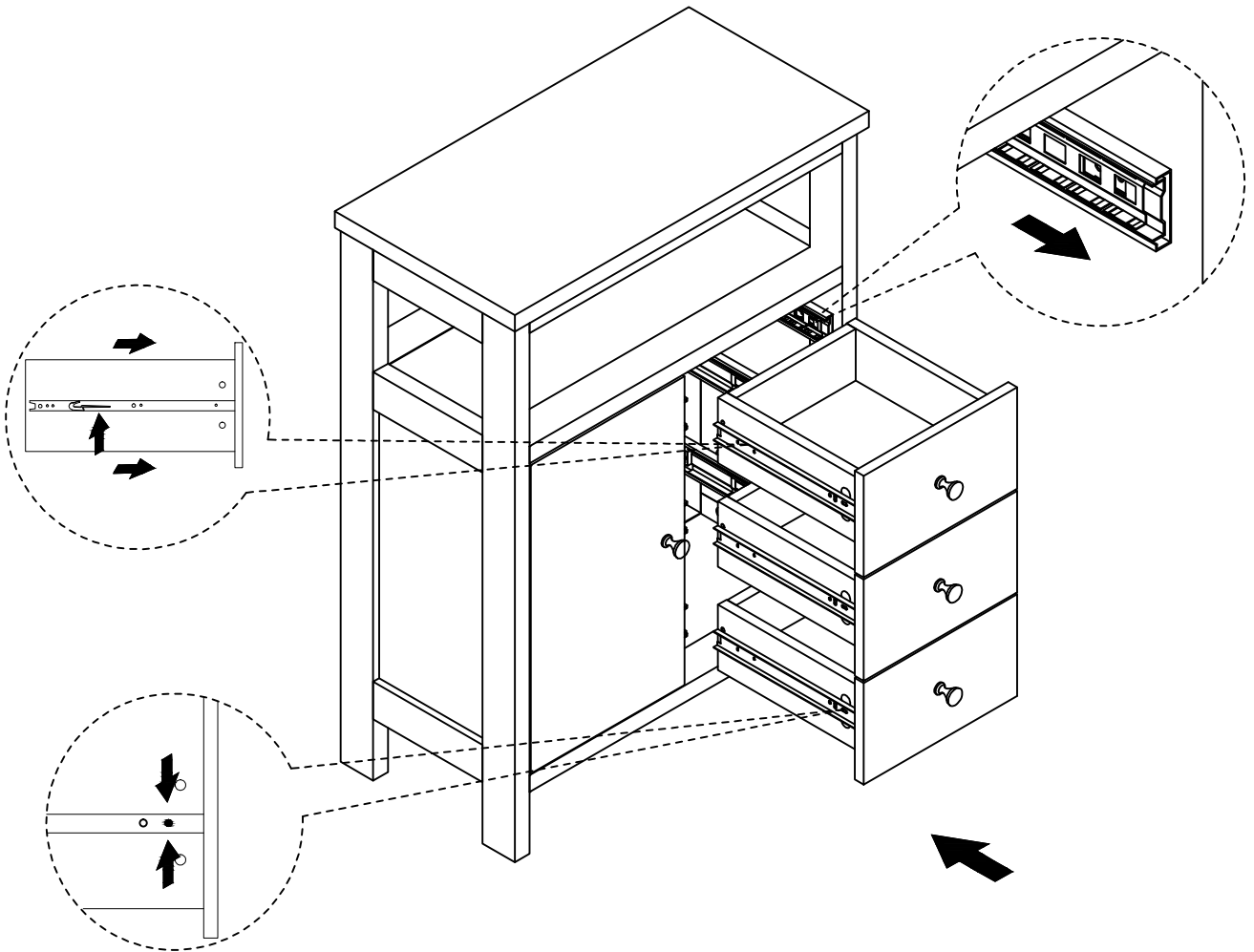
3 pcs



I

3 pcs

22

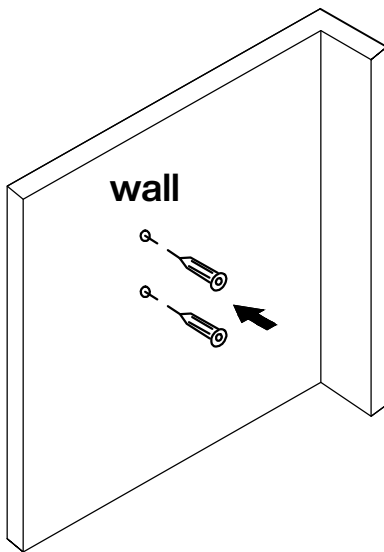
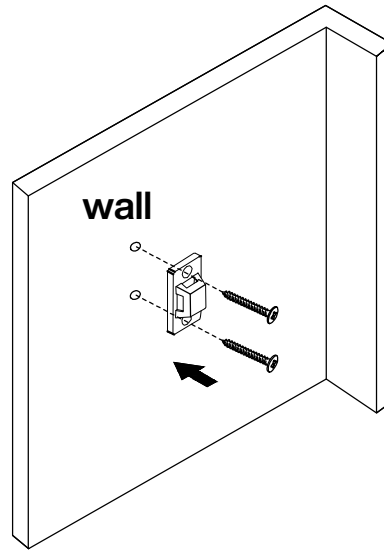
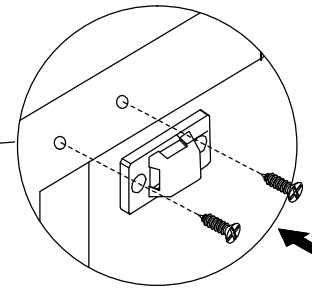
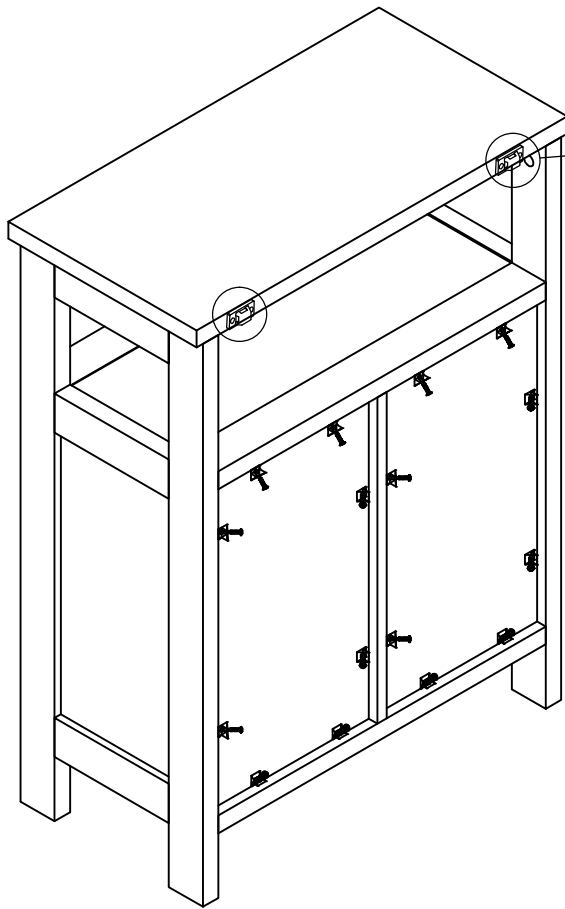


Please pull the movable silver component to the outermost part before inserting the pre-assembled drawer.

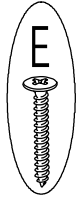
To pull out the drawer, find the hook-shaped latch, press down (on both sides of the drawer) and pull the drawer out.

If the drawer doesn't fit perfectly, loosen the slide screws, adjust the slide's position slightly, then tighten it again.

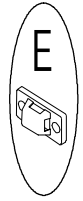
23



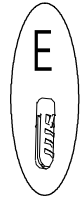
X4



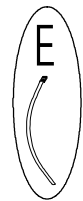
X4



X4



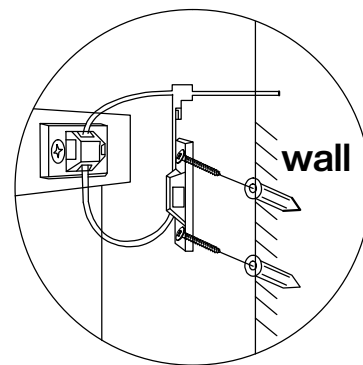
X4



X2

Install part M on the pre-drilled mounting holes on the wall

cabinet



wall

Fix the other part M on the wall with B

< 1 > Push the cabinet close to the wall so that the two parts M are close

< 2 > Tighten part M over part M