

After-sales Service

Dear customer,

We're excited that you've chosen our product to be a part of your home. We care deeply about your experience and want to make sure you have all the help you need.

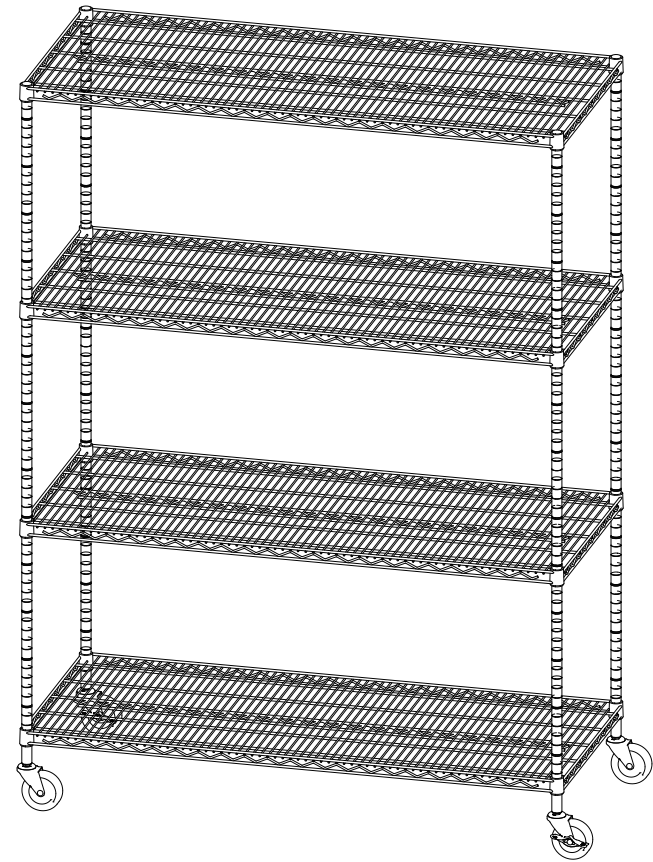
If you have any questions while assembling your new product, don't hesitate to contact our dedicated customer support team through the original purchase platform.

Creating your ideal space is important, and we're committed to helping you every step of the way.



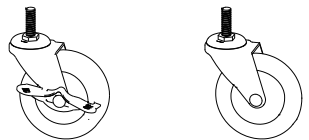

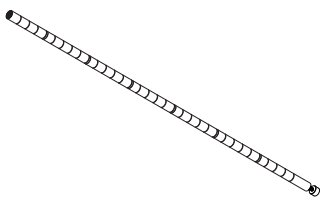

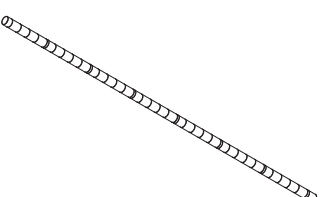
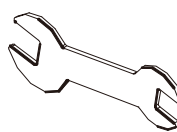
Thank you for choosing us, where comfort and style meet practicality.

Sincerely,
Customer Service Manager

ASSEMBLY INSTRUCTION

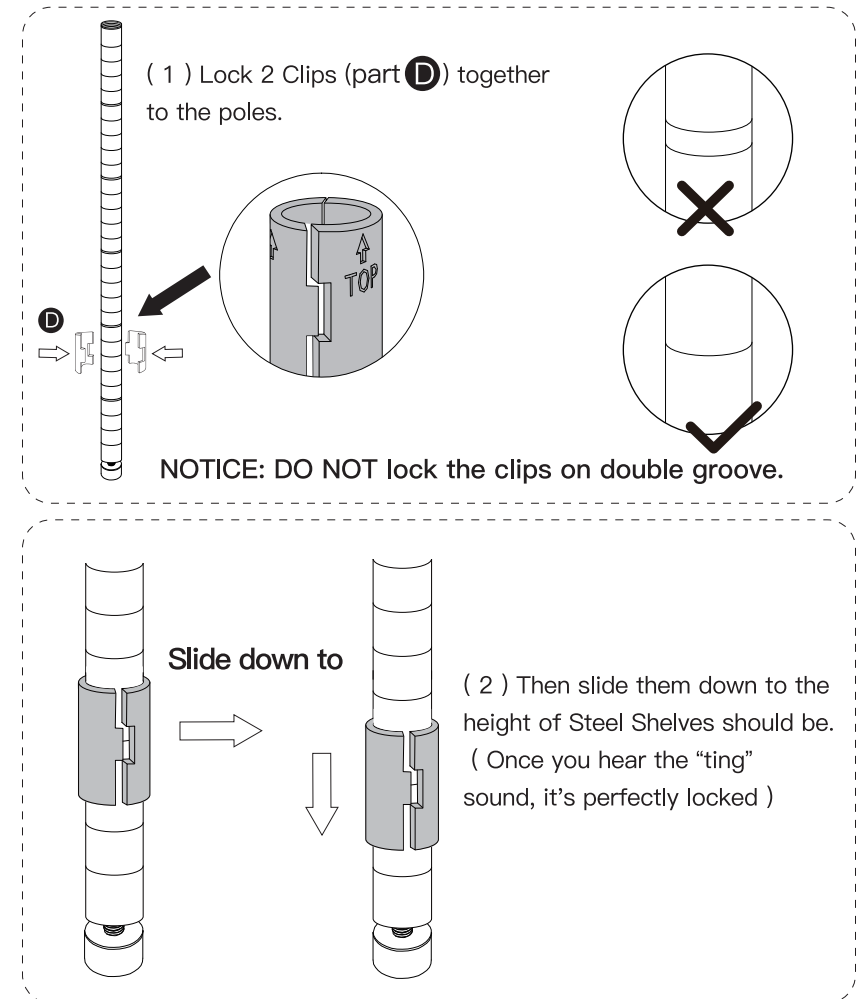


PART LIST:

<p>A</p>  <p>Steel Shelf x4</p>	<p>B</p> <p>Pre-installed on part E</p>  <p>Adjustable Feet x4</p>
<p>C</p>  <p>Lockable Wheels x2 Wheels x2</p>	<p>D</p>  <p>Clips x32</p>
<p>E</p>  <p>Lower Pole x4</p>	<p>F</p>  <p>Anti-Tip Device Kit x2</p>
<p>G</p>  <p>Upper Pole x4</p>	 <p>Wrench x1</p>

HOW TO INSTALL

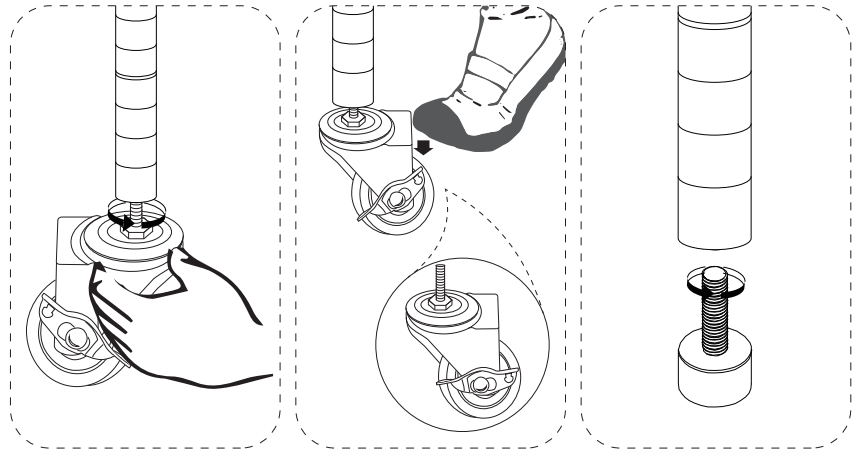
Step 1 Learn to install Clips on poles.



NOTICE: Every Clip (Part **D) installing in same step must be at the same height.**

Step 2 Screw the adjustable feet (part **B**) or part **C** into part **E**.

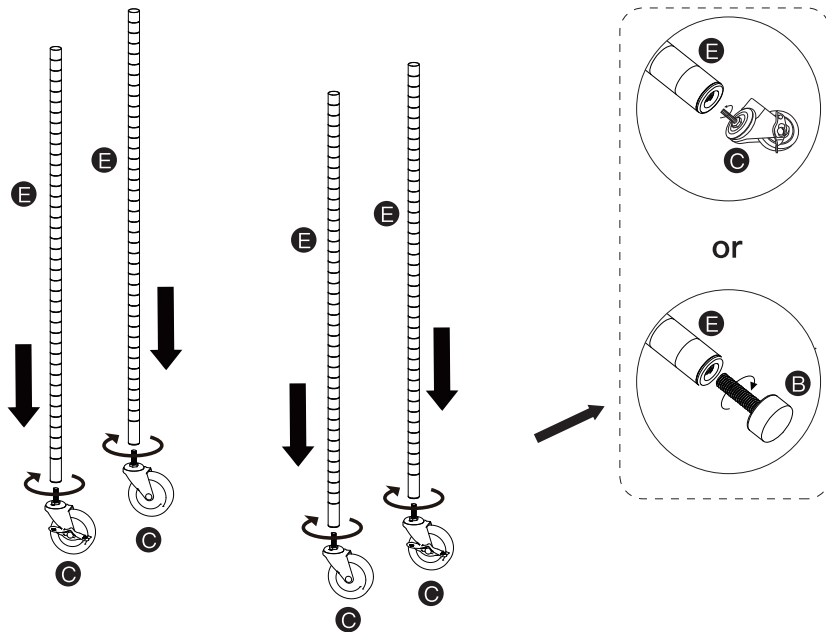
REMARK:



Install the wheels for more mobility.

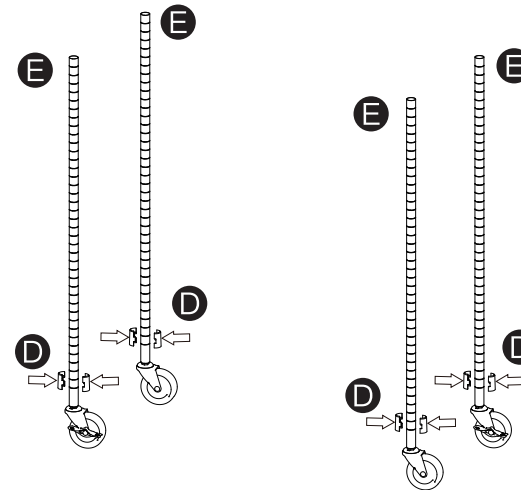
Please lock the wheel with foot.

Install adjustable feet for keeping the product in a fixed place.

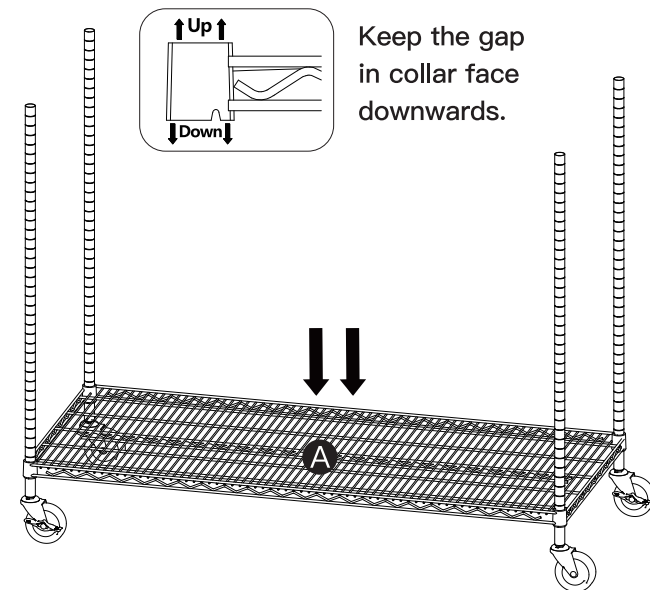


Step 3 Install part **A** onto Lower Poles (part **E**).

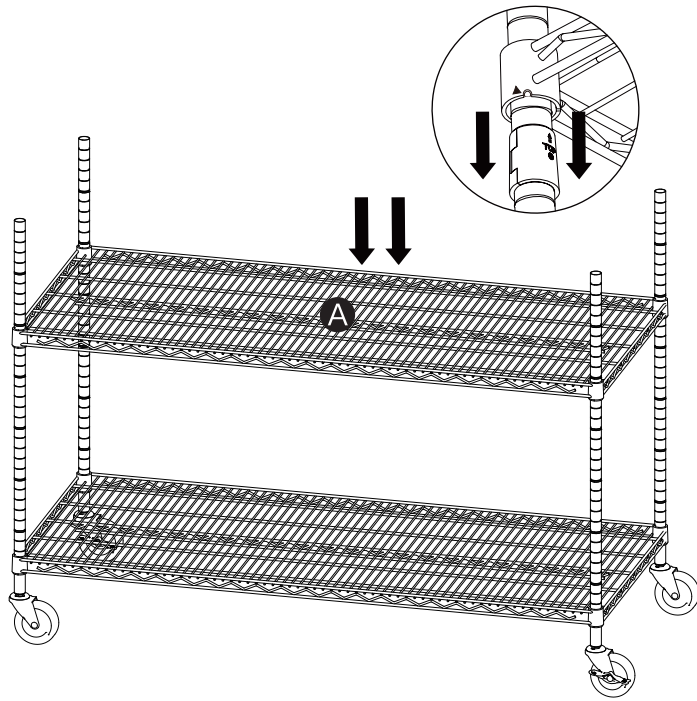
(1) Lock Clips (part **D**) as shown below.



(2) Install Steel Shelf (part **A**) onto the Clip Groups.



(4) Repeat steps (1) and steps (2) , install the second Steel Shelf (part **A**) on the rack.

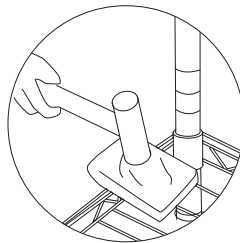


REMARK :

After each shelf is assembled, please put a piece of cloth on shelf and hit it several times with a tool (eg. A rubber mallet) to ensure more stability.

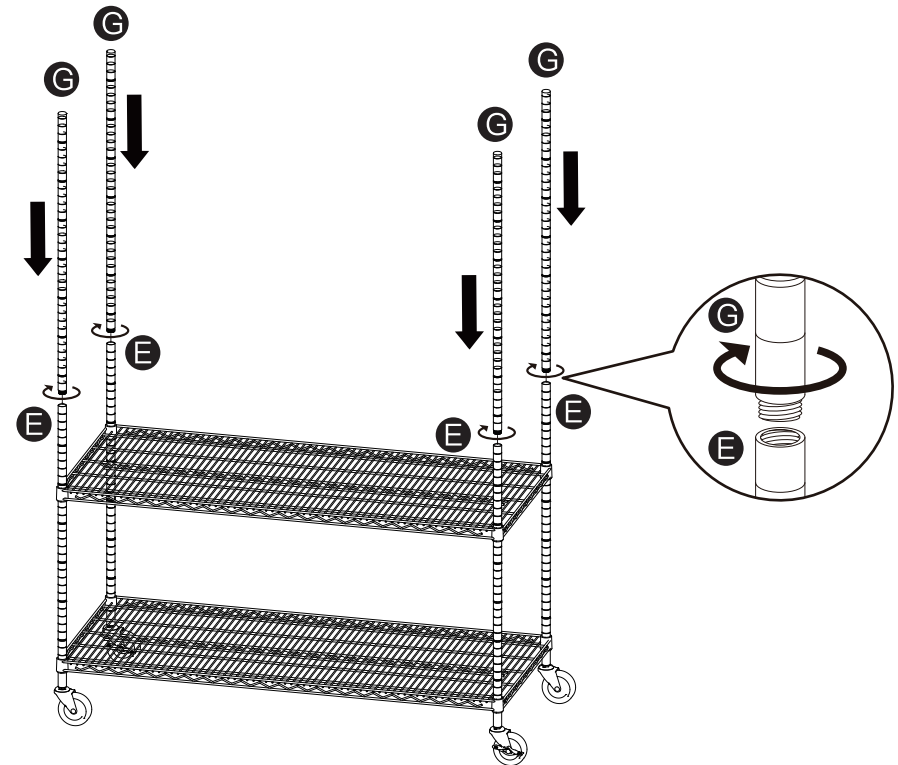
Note:

The rubble mallet is not included on the package.



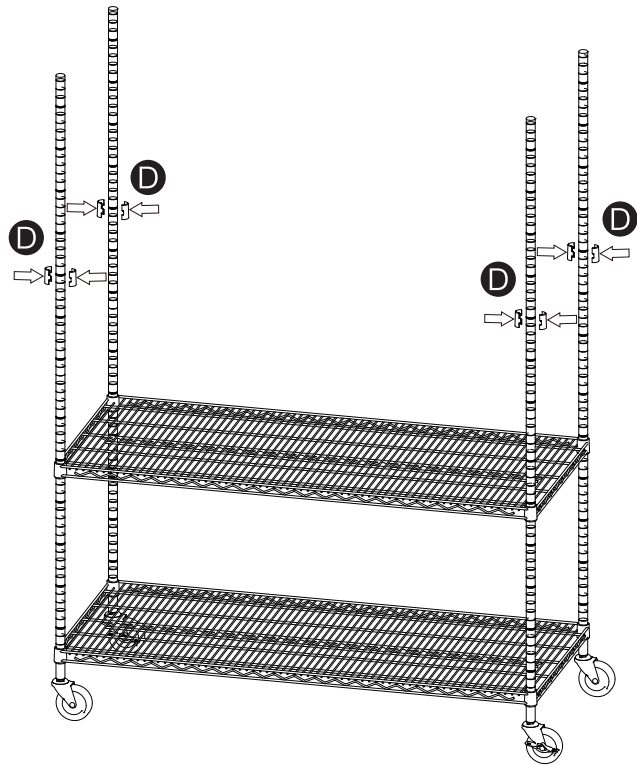
Step 4

Connect 4 Upper Poles (part **G**) on 4 Lower Poles (part **E**).

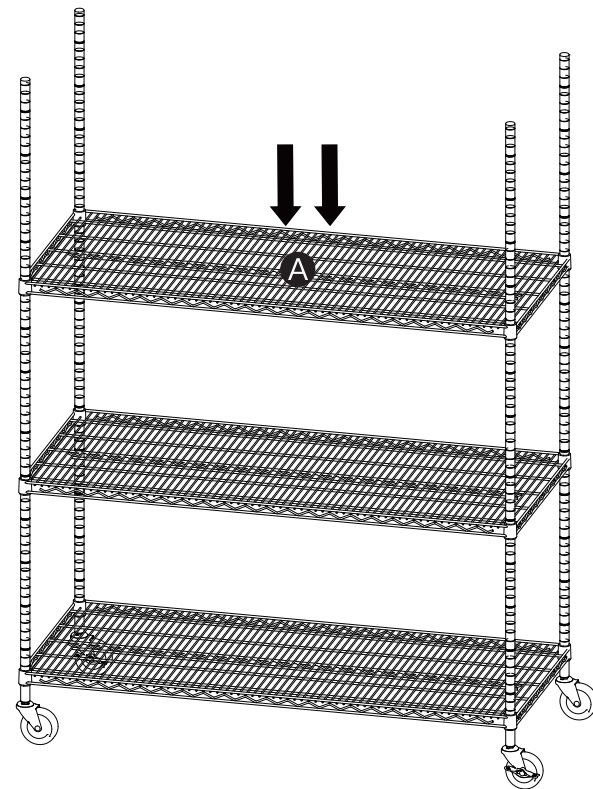
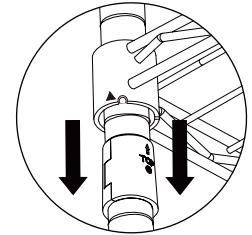


Step 5 Install part **A** on Upper Pole to finish.

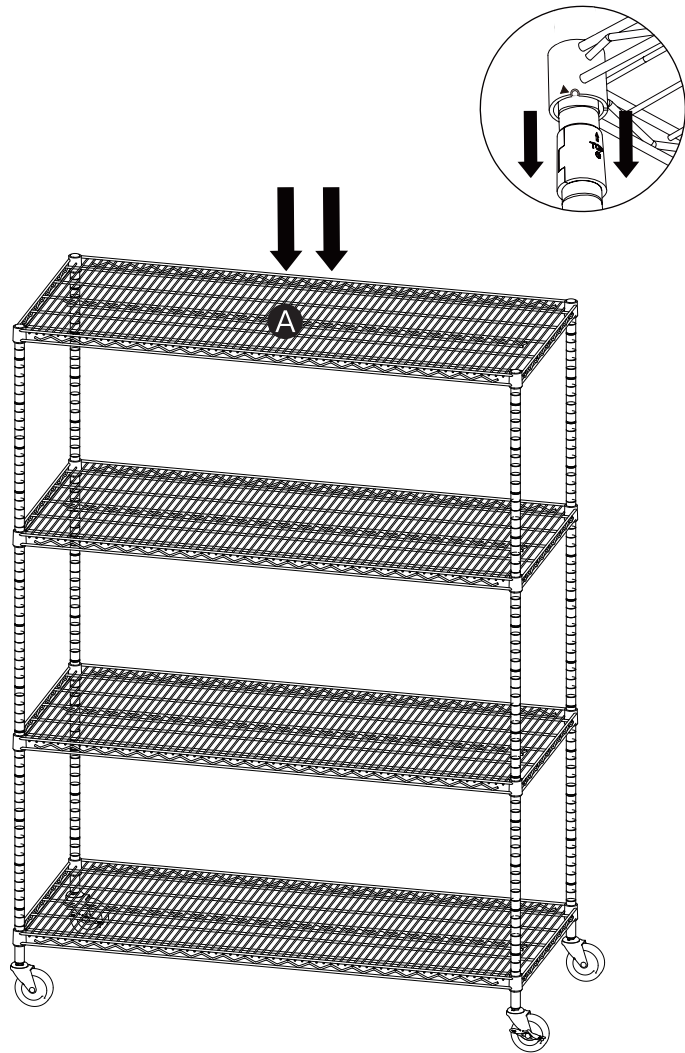
(1) Lock Clips (part **D**) on each Upper Pole.



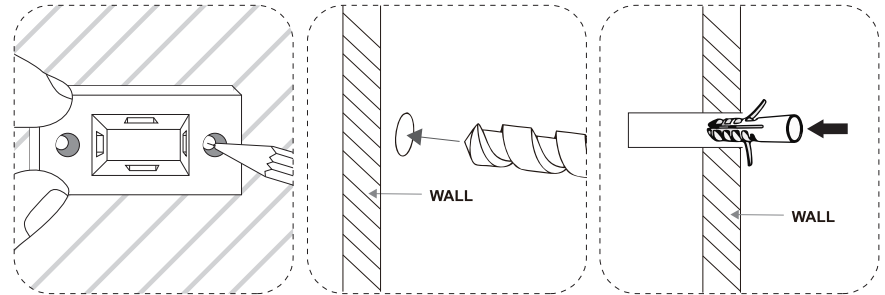
(2) Install Steel Shelf (part **A**) onto the Clip Groups.



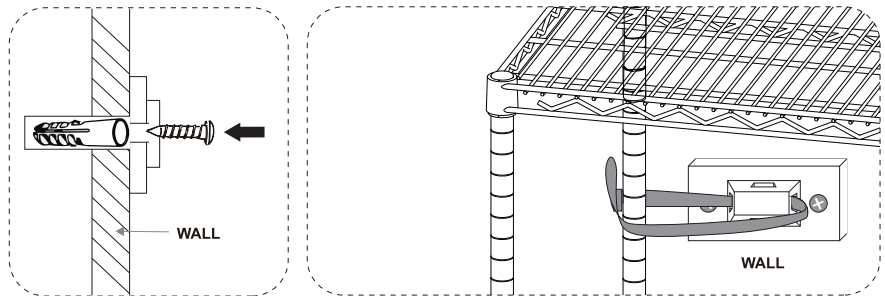
(3) Repeat step (1) and step (2) to install the top Steel Shelf (part **A**) on the rack.



Step 6 (Optional) Install (part **F**) to keep the rack more stable.



- (1) Mark the location of bolt hole.
- (2) Drill holes at marked location.
- (3) Press the protective bolts in the wall.



- (4) Fix the safety lock on the wall with bolts.
- (5) Get the safety belts cross the lock and product, then get fastened.