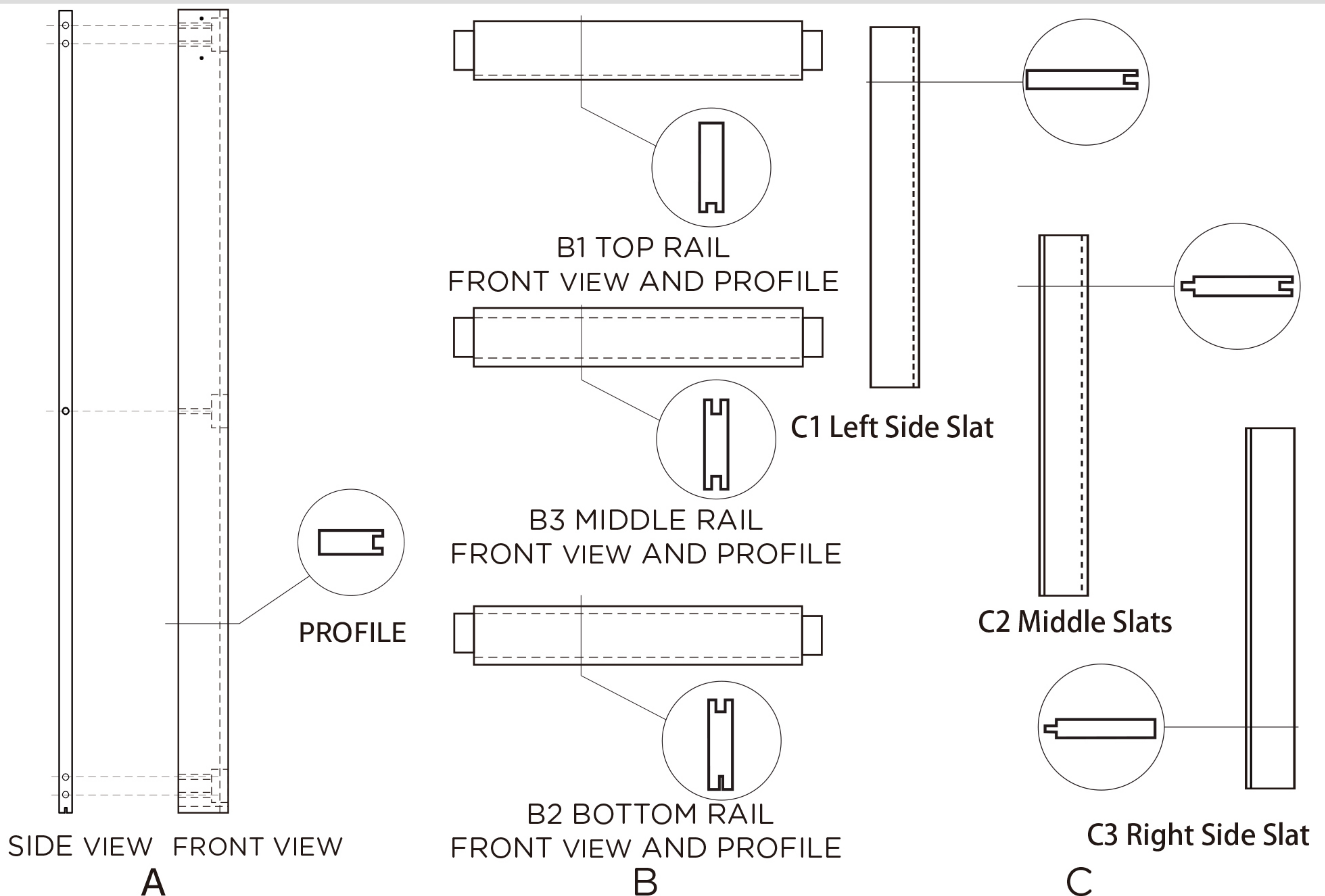


H/K Shape Barn Door Installation Instructions

CODE	PARTS	QTY
A	Side Stile	2
B1	Top Rail	1
B2	Bottom Rail	1
B3	Middle Rail	1
C1	Left Side Slat	2
C2	Middle Slats (Quantity depends on door's width refer to next page Asterisk column)	
C3	Right Side Slat	2
D1	Diagonal Overlay (Only used for K-Shape)	2
D2	Diagonal Overlay (Only used for K-Shape)	2
E	3.93" Carriage Bolts	10
F	Plastic CAP	10
G	Hex Key	1

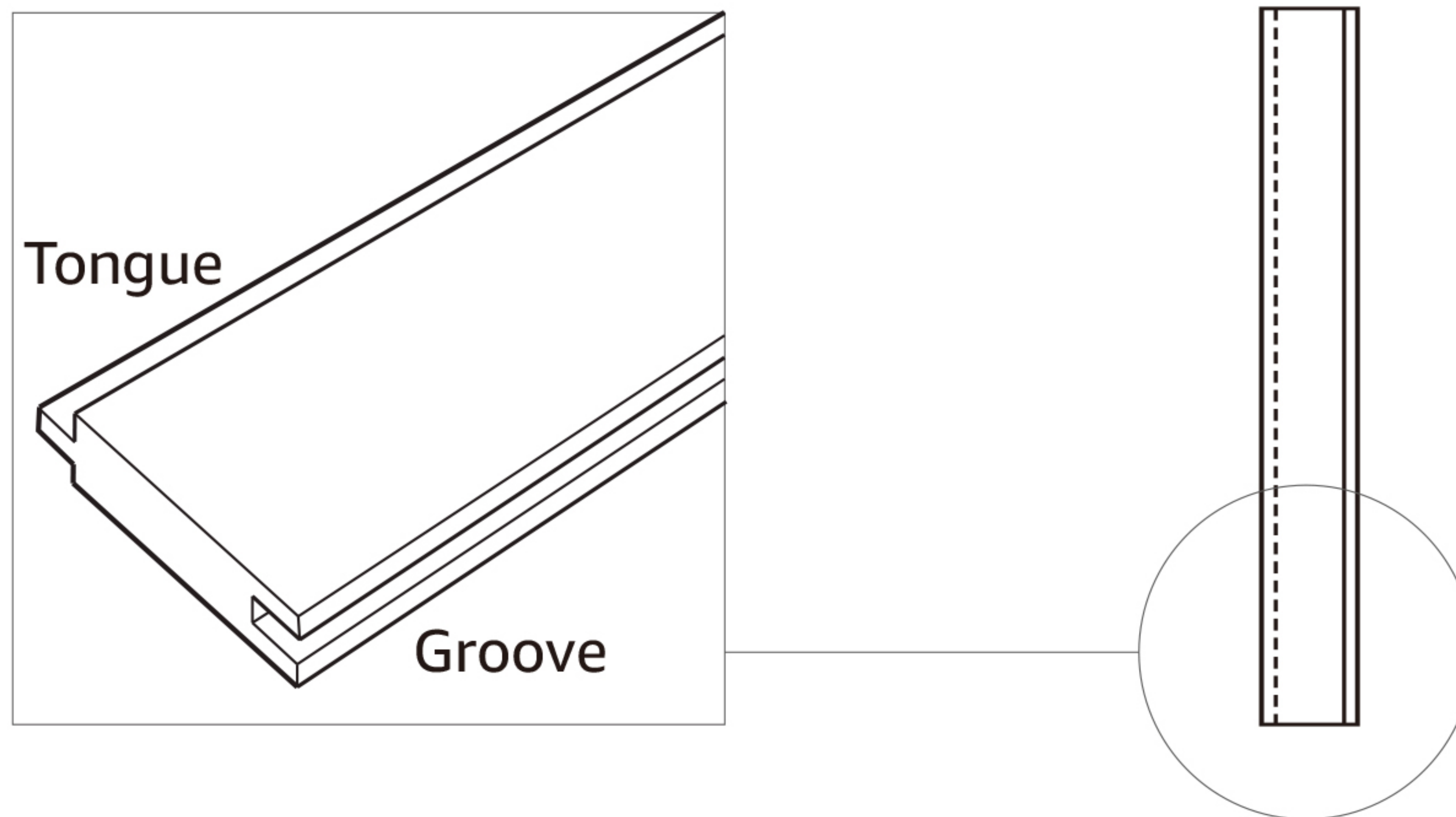
TIPS: Contact and Ask us anything! Email us at: sandinginc@gmail.com
 We offer several sizes of boards, Let's look at them from different perspectives



Number of Parts in Different Door Sizes

Door Width (inch)	Shape	A Side Stile	B1 Top Rail	B2 Bottom Rail	B3 Middle Rail	C1 Left Side Slat	※C2※ Middle Slats	C3 Right Side Slat	D1 Diagonal Overlay	D2 Diagonal Overlay	E 3.93" Carriage Bolts	F Plastic CAP	G Hex Key
14	H	2	1	1	1	2	0	2	—	—	10	10	1
	K	2	1	1	1	2	0	2	2	2	10	10	1
16	H	2	1	1	1	2	0	2	—	—	10	10	1
	K	2	1	1	1	2	0	2	2	2	10	10	1
18	H	2	1	1	1	2	2	2	—	—	10	10	1
	K	2	1	1	1	2	2	2	2	2	10	10	1
20	H	2	1	1	1	2	2	2	—	—	10	10	1
	K	2	1	1	1	2	2	2	2	2	10	10	1
21	H	2	1	1	1	2	4	2	—	—	10	10	1
	K	2	1	1	1	2	4	2	2	2	10	10	1
22	H	2	1	1	1	2	4	2	—	—	10	10	1
	K	2	1	1	1	2	4	2	2	2	10	10	1
24	H	2	1	1	1	2	4	2	—	—	10	10	1
	K	2	1	1	1	2	4	2	2	2	10	10	1
26	H	2	1	1	1	2	6	2	—	—	10	10	1
	K	2	1	1	1	2	6	2	2	2	10	10	1
28	H	2	1	1	1	2	6	2	—	—	10	10	1
	K	2	1	1	1	2	6	2	2	2	10	10	1
30	H	2	1	1	1	2	4	2	—	—	10	10	1
	K	2	1	1	1	2	4	2	2	2	10	10	1
32	H	2	1	1	1	2	4	2	—	—	10	10	1
	K	2	1	1	1	2	4	2	2	2	10	10	1
34	H	2	1	1	1	2	6	2	—	—	10	10	1
	K	2	1	1	1	2	6	2	2	2	10	10	1
36	H	2	1	1	1	2	6	2	—	—	10	10	1
	K	2	1	1	1	2	6	2	2	2	10	10	1
38	H	2	1	1	1	2	6	2	—	—	10	10	1
	K	2	1	1	1	2	6	2	2	2	10	10	1
40	H	2	1	1	1	2	8	2	—	—	10	10	1
	K	2	1	1	1	2	8	2	2	2	10	10	1
42	H	2	1	1	1	2	8	2	—	—	10	10	1
	K	2	1	1	1	2	8	2	2	2	10	10	1
44	H	2	1	1	1	2	8	2	—	—	10	10	1
	K	2	1	1	1	2	8	2	2	2	10	10	1
46	H	2	1	1	1	2	10	2	—	—	10	10	1
	K	2	1	1	1	2	10	2	2	2	10	10	1
48	H	2	1	1	1	2	10	2	—	—	10	10	1
	K	2	1	1	1	2	10	2	2	2	10	10	1
50	H	2	1	1	1	2	10	2	—	—	10	10	1
	K	2	1	1	1	2	10	2	2	2	10	10	1
52	H	2	1	1	1	2	12	2	—	—	10	10	1
	K	2	1	1	1	2	12	2	2	2	10	10	1
54	H	2	1	1	1	2	12	2	—	—	10	10	1
	K	2	1	1	1	2	12	2	2	2	10	10	1
56	H	2	1	1	1	2	12	2	—	—	10	10	1
	K	2	1	1	1	2	12	2	2	2	10	10	1
58	H	2	1	1	1	2	14	2	—	—	10	10	1
	K	2	1	1	1	2	14	2	2	2	10	10	1
60	H	2	1	1	1	2	14	2	—	—	10	10	1
	K	2	1	1	1	2	14	2	2	2	10	10	1

What is Tongue and Groove?

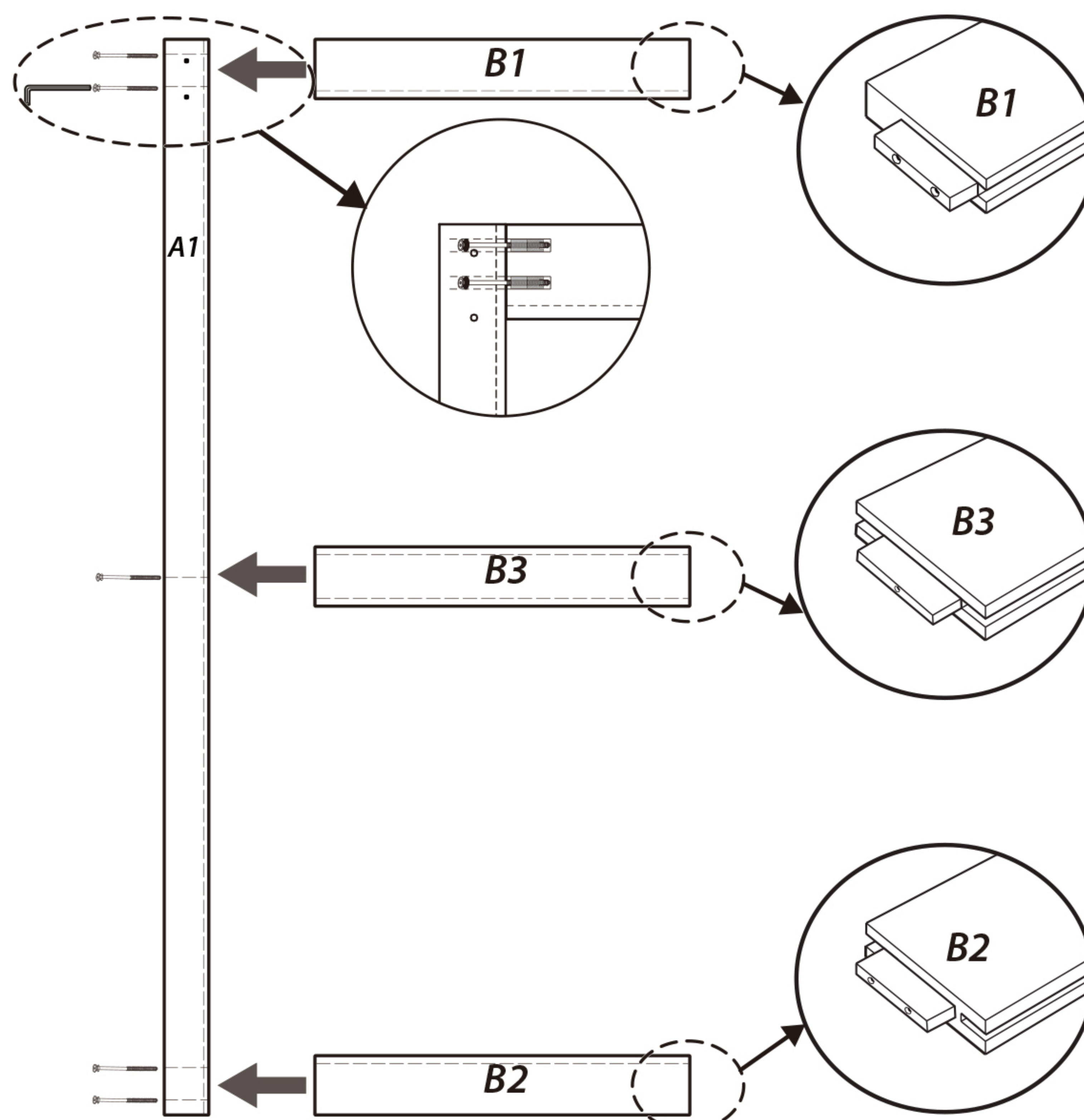


Tongue refers to the extending ridge beyond the main portion of the slat or stile.
Groove refers to the slot cut into the other side of the slat or stile.

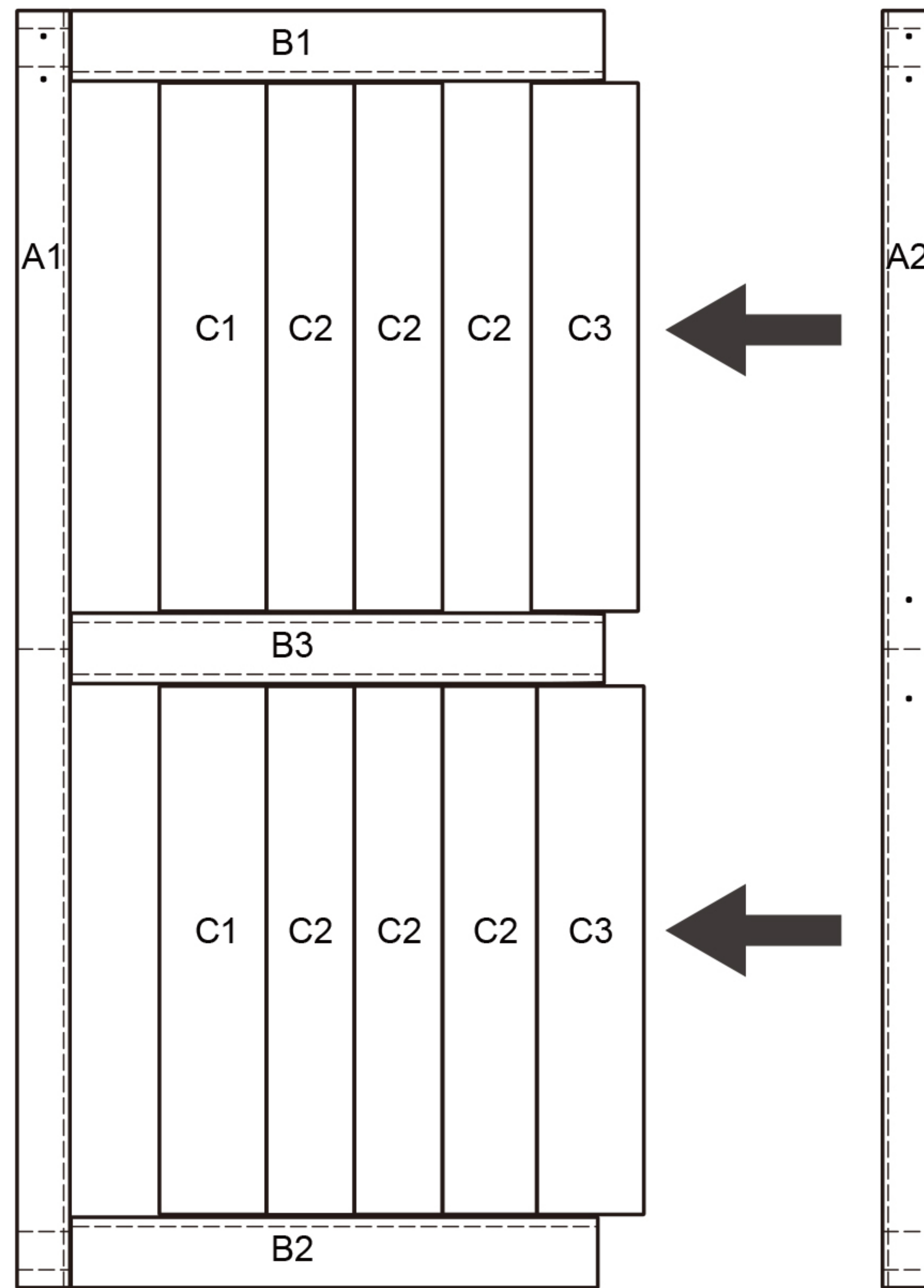
Installation Steps:

The following installation steps take a door with a width of **36"** as an example.
Please refer to the **[Number of Parts in Different Door Sizes]** for doors of different sizes

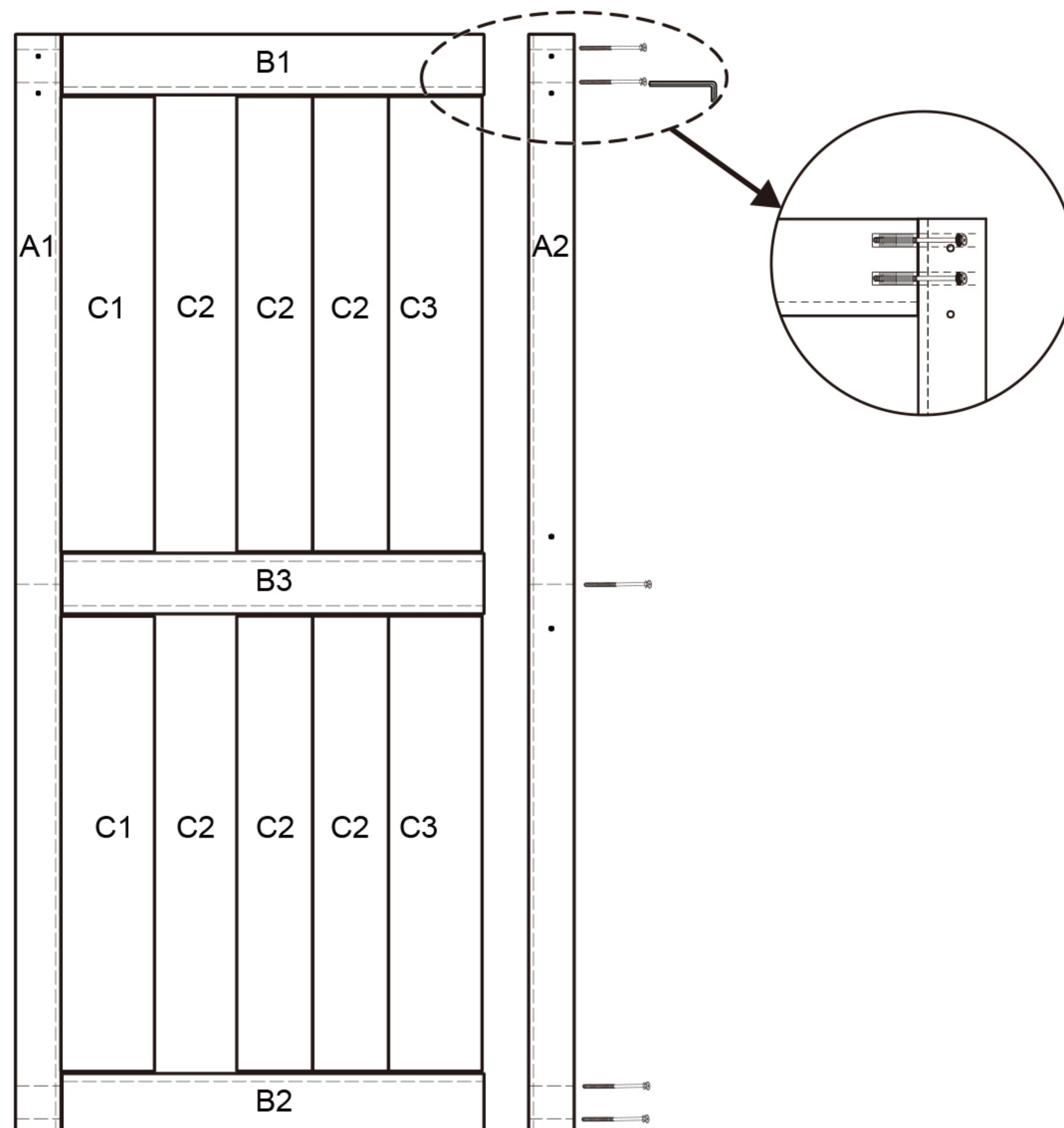
1. On a flat, clean surface, lay out one side stile (A) with the groove facing to the right. Assemble top rail (B1), middle rail (B3) and bottom rail (B2) to A1 by fitting the tongue into the groove of A.



- Assemble the left side slat (C1) with the groove facing right.
Lay all middle slats (C2) next to C1 with the groove facing right.
Lay the right side slat (C3) to the right of the last C2 with the tongue facing left.

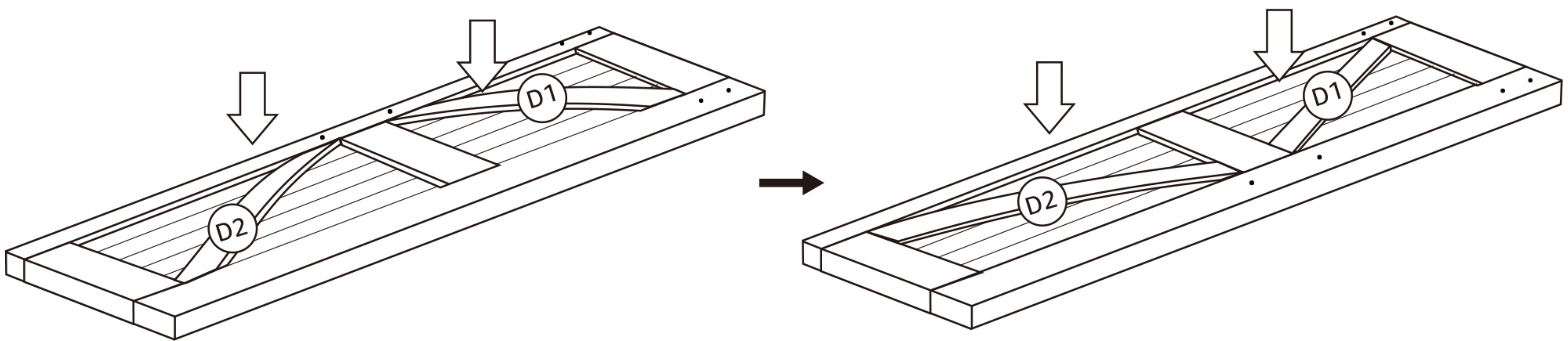


- Place the right side stile (A2) beside the assembled slats and rails with groove facing left. Slide to the left to cover the top and bottom rail tongues and the edge of the slat assembly. Insert carriage bolts into holes on the right side of A2, use hey key to fasten carriage bolts to the pre-installed anchors in B1, B3 and B2.

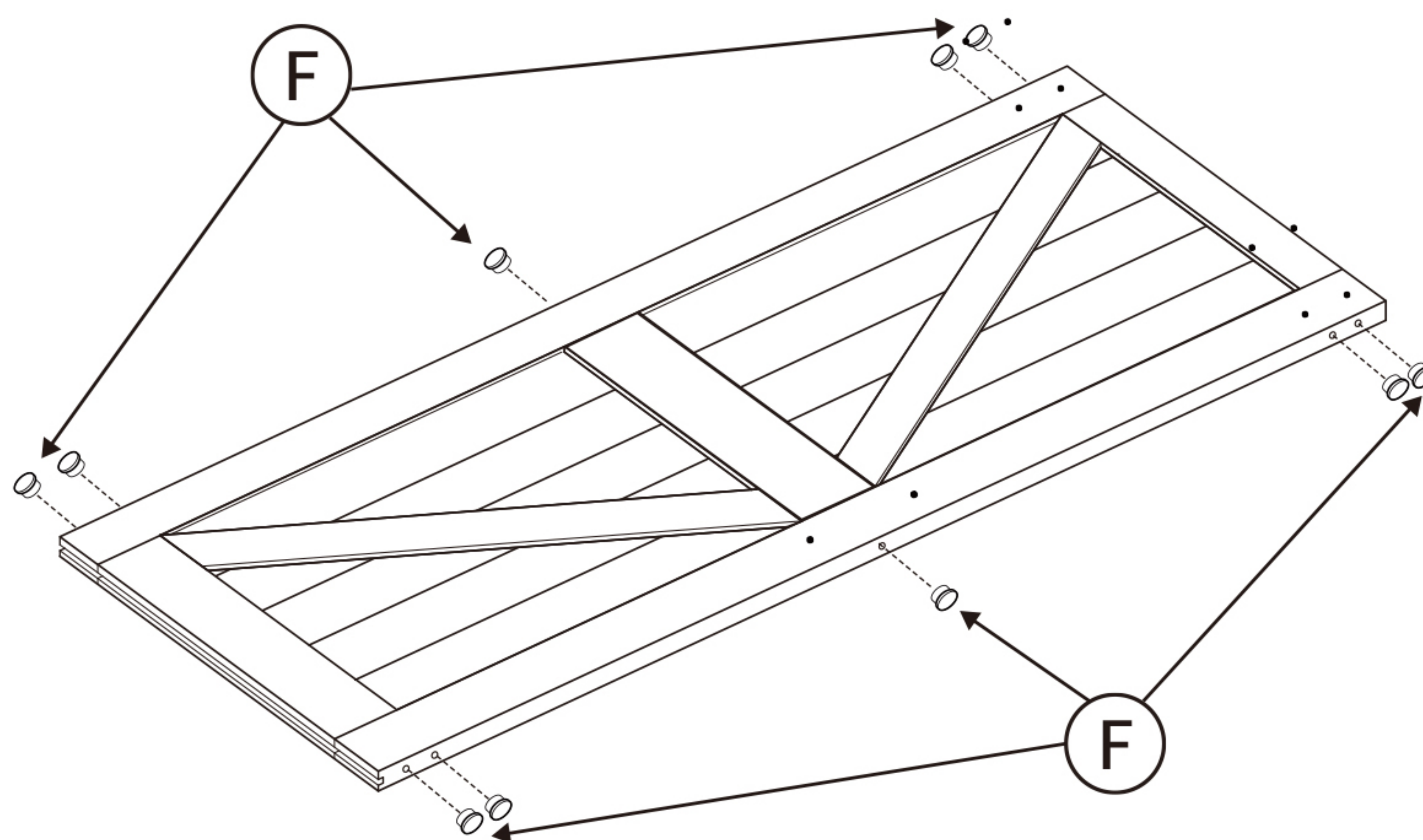


*If your door is **H-shaped**, then your door has already been installed. You can directly browse the instructions on track installation on the next page.
If your door is **K-shaped**, please read the following steps to continue the installation.

- 4.** Diagonal overlays (D1/D2) are used for decoration by pasting on the surface with double-sided adhesive. Remove the protection paper of adhesive on back of D1/D2 and flip D1/D2. Place the two ends of D1/D2 on the assembled door surface first. The middle of D1/D2 will be arched. Push down the middle of D1/D2 to the surface. The diagonal overlay will stick to the surface sturdy. Turn the door over, Repeat the former step to install D1/D2 on the other side.

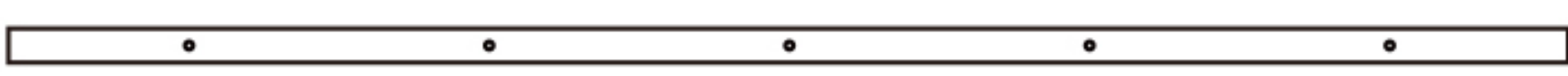
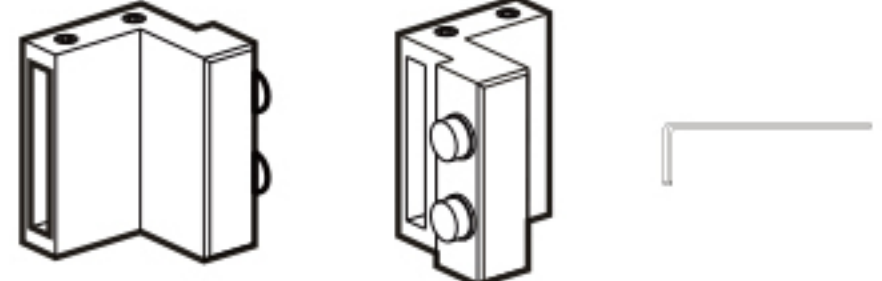
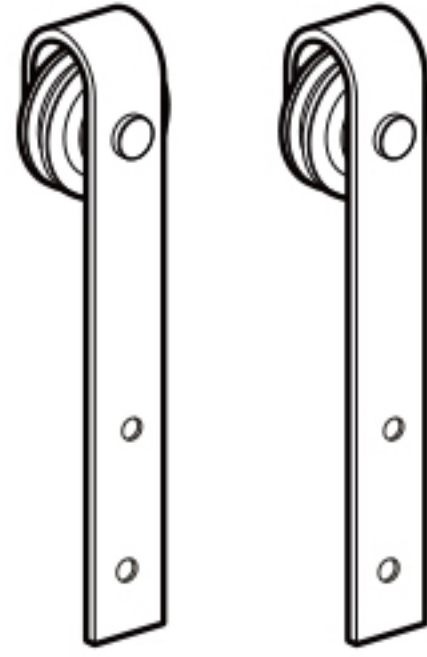

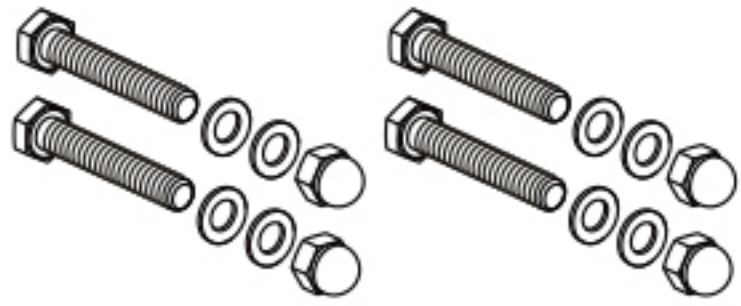


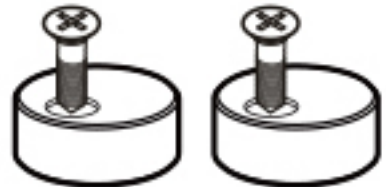
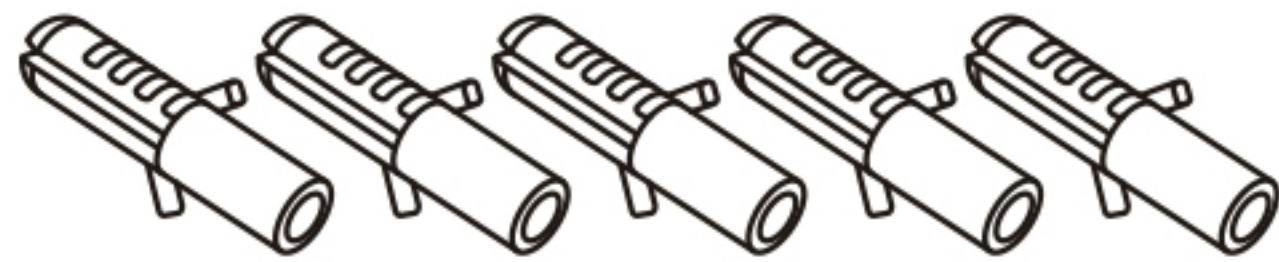
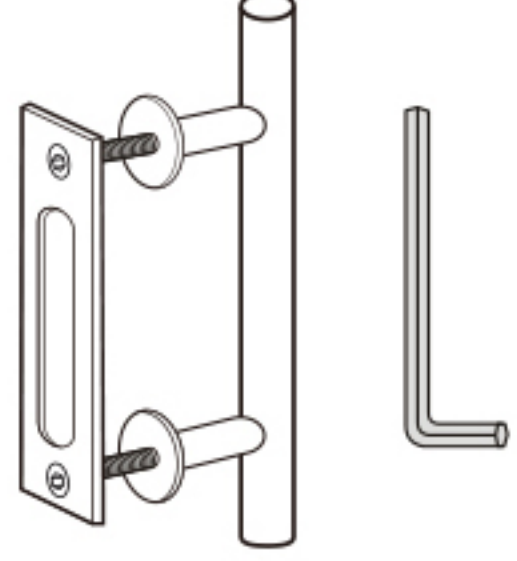
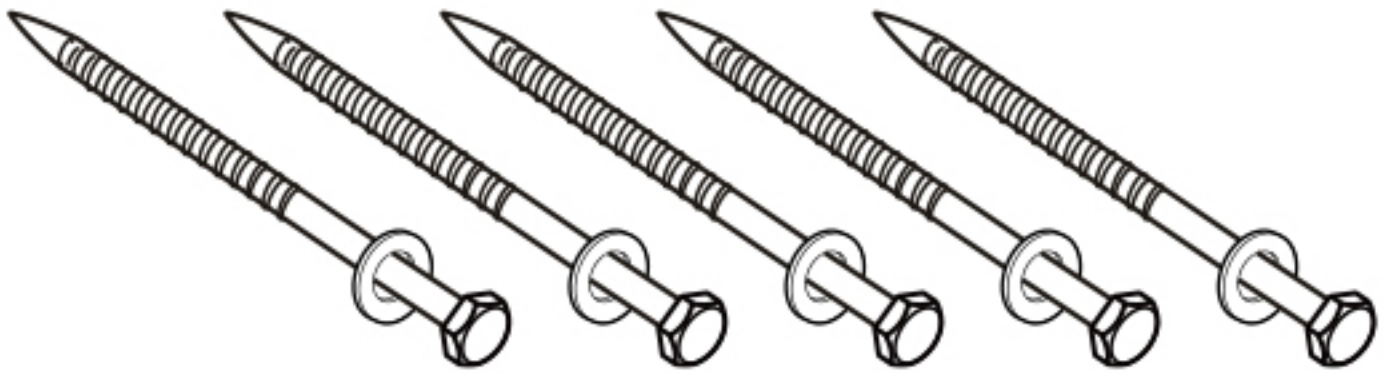


- 5.** Insert plastic cap (F) into holes on the side of side stile (A) to complete the installation.


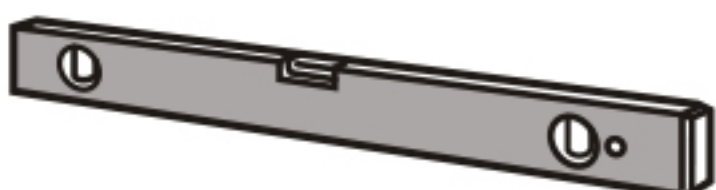









Barn Door hardware installation

Product Content

1.1, Rail 	4.1, 2 x Door Stopper 
2.1, 2 x Hanger 	4.2, T-Shape Floor Guide 
2.2, 4 x Door Screw 	4.3, Roller Floor Guide 
3.1, Wall Spacer 	4.4, 2 x Rubber End 
3.2, Anchor (For concrete wall) 	5.1, 1 x Handle Pull and Flush 
3.3, Lag Bolt (For wood stud) 	


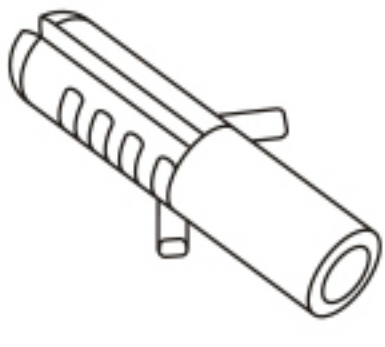
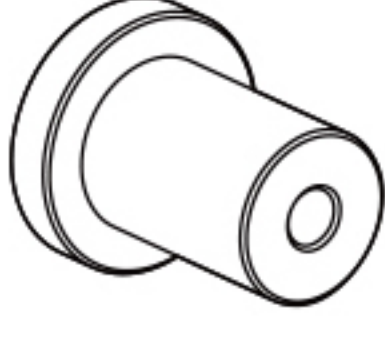
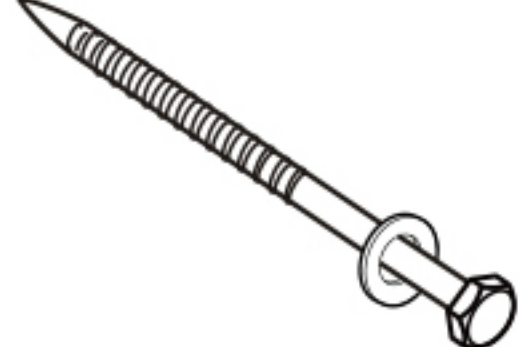
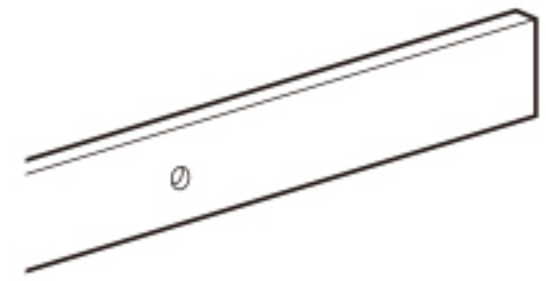
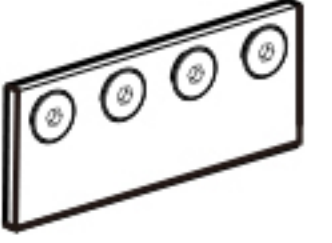
Tools Needed

1, Pencil 	5, Level 
2, Wrench 	6, Drill 
3, Phillips Screwdriver 	7, Drill Bit $\varnothing 3/8"$  $\varnothing 7/32"$ 
4, Plumb Bob 	8, Tape Measure 

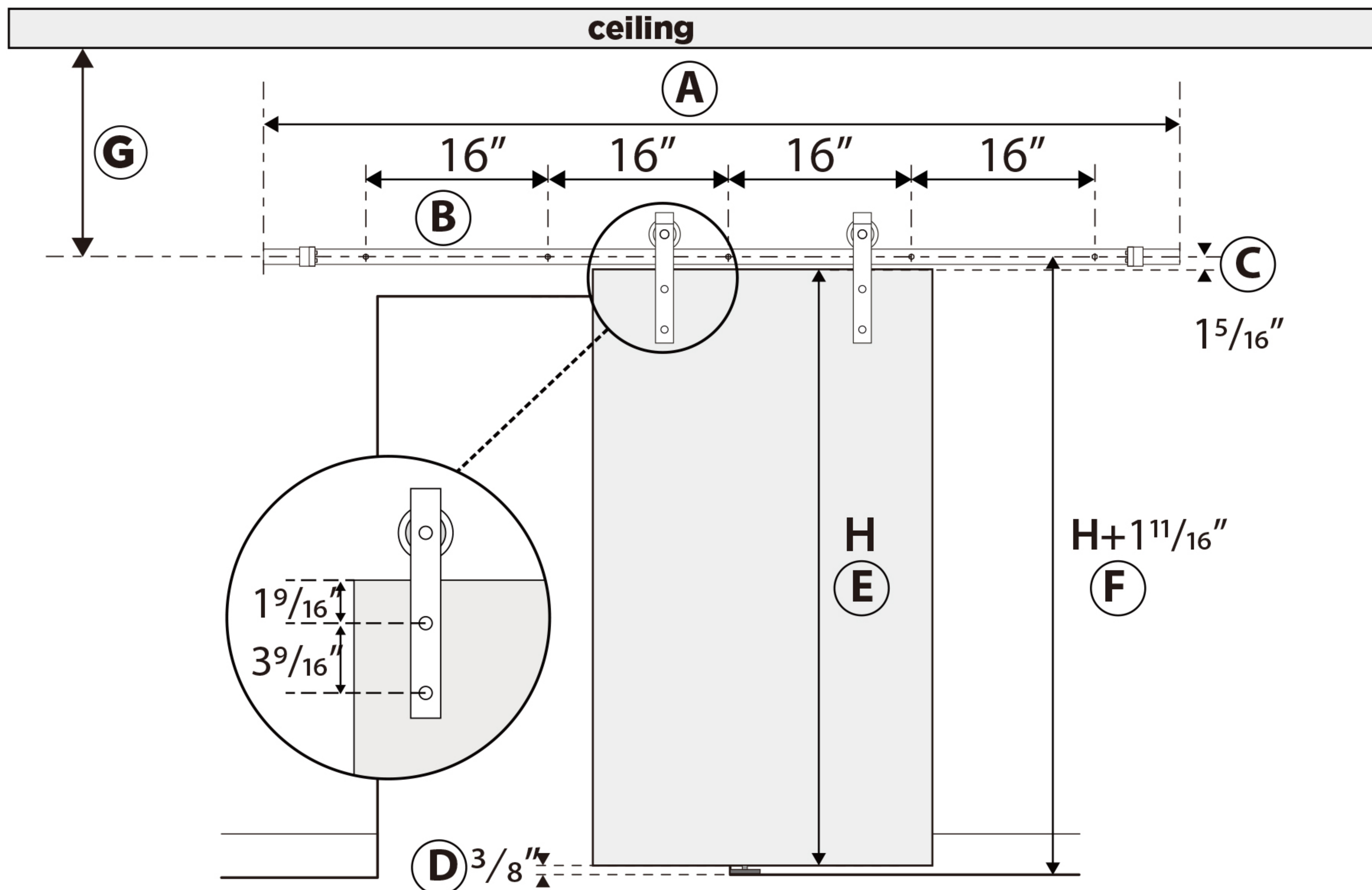
NOTICE Please retain these instructions for future reference.

- Do not stand on or use any part of this item as a step ladder.
- Firmly secure all bolts, screws, and knobs before use.
- Reconfirm that all bolts, screws, and knobs are secure every 90 days.
- Fasten screws loosely during initial assembly. Do not firmly tighten the screws until the item is completely assembled.
 - Do not use or store this item in the proximity of open flame or flammable/combustible chemicals.
- Be aware that some parts are heavy and have sharp edges.
 - If any parts are missing, broken, damaged, or worn, stop using this item until repairs are made and/or factory replacement parts are installed.
 - Do not use this item in a way inconsistent with the manufacturer's instructions as this could void the product warranty.

Number of Parts in Different Track Sizes

							
Door Size (inch)	Track Sizes	M10x55mm Screw	Ø10mm Anchor	Wall Spacer	M8x100mm Screw	Rail	Connector
14	4FT	4	3	3	3	1	—
16	4FT	4	3	3	3	1	—
18	4FT	4	3	3	3	1	—
20	4FT	4	3	3	3	1	—
21	4FT	4	3	3	3	1	—
22	4FT	4	3	3	3	1	—
24	4FT	4	3	3	3	1	—
26	5FT	4	4	4	4	1	—
28	5FT	4	4	4	4	1	—
30	5FT	4	4	4	4	1	—
32	6FT	4	5	5	5	1	—
34	6FT	4	5	5	5	1	—
36	6.6FT	4	5	5	5	1	—
38	6.6FT	4	5	5	5	1	—
40	7FT	4	5	5	5	1	—
42	8FT	4	6	6	6	2	1
44	8FT	4	6	6	6	2	1
46	8FT	4	6	6	6	2	1
48	8FT	4	6	6	6	2	1
50	9FT	4	7	7	7	2	—
52	9FT	4	7	7	7	2	—
54	9FT	4	7	7	7	2	—
56	10FT	4	8	8	8	2	1
58	10FT	4	8	8	8	2	1
60	10FT	4	8	8	8	2	1

Measurements



- Ⓐ Overall Rail length is 4ft/5ft/6ft/6.6ft/7ft/8ft/9ft/10ft.
- Ⓑ The gap between each pre-drilled hole is 16".
- Ⓒ Distance from door top side to holes on the wall is $1\frac{5}{16}$ ".
- Ⓓ Distance from the bottom of the door to the floor is $\frac{3}{8}$ ".
- Ⓔ **Door height is H.**
- Ⓕ **The height of holes on the wall is $H+1\frac{11}{16}$ ".**
- Ⓖ **Minimum distance from the rail hole to the ceiling is 6"(J shape).**

Installation Steps:

The following installation steps take a **6.6 ft** track as an example. Please refer to the **[Number of Parts in Different Track Sizes]** for the quantity of accessories for different sizes of tracks

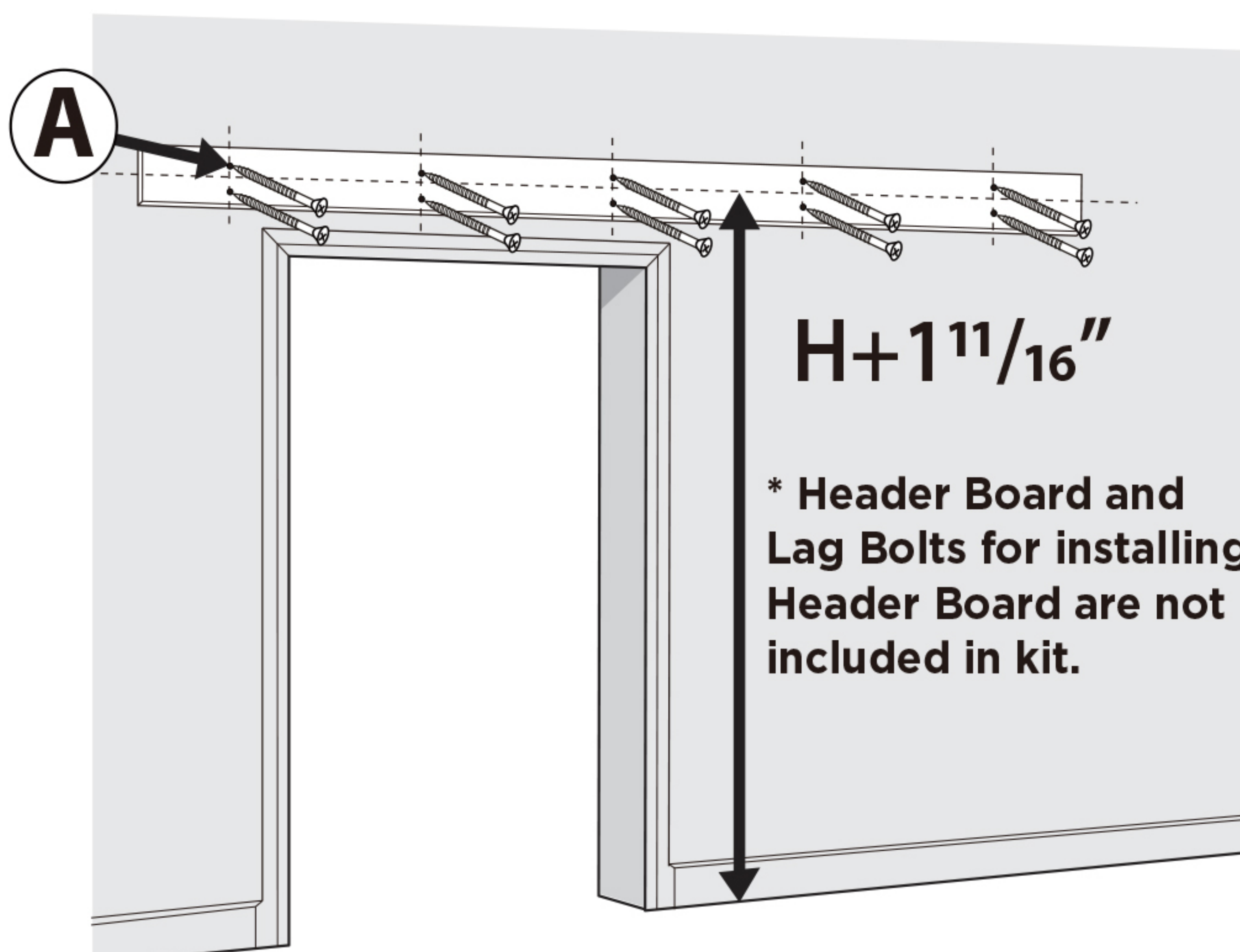
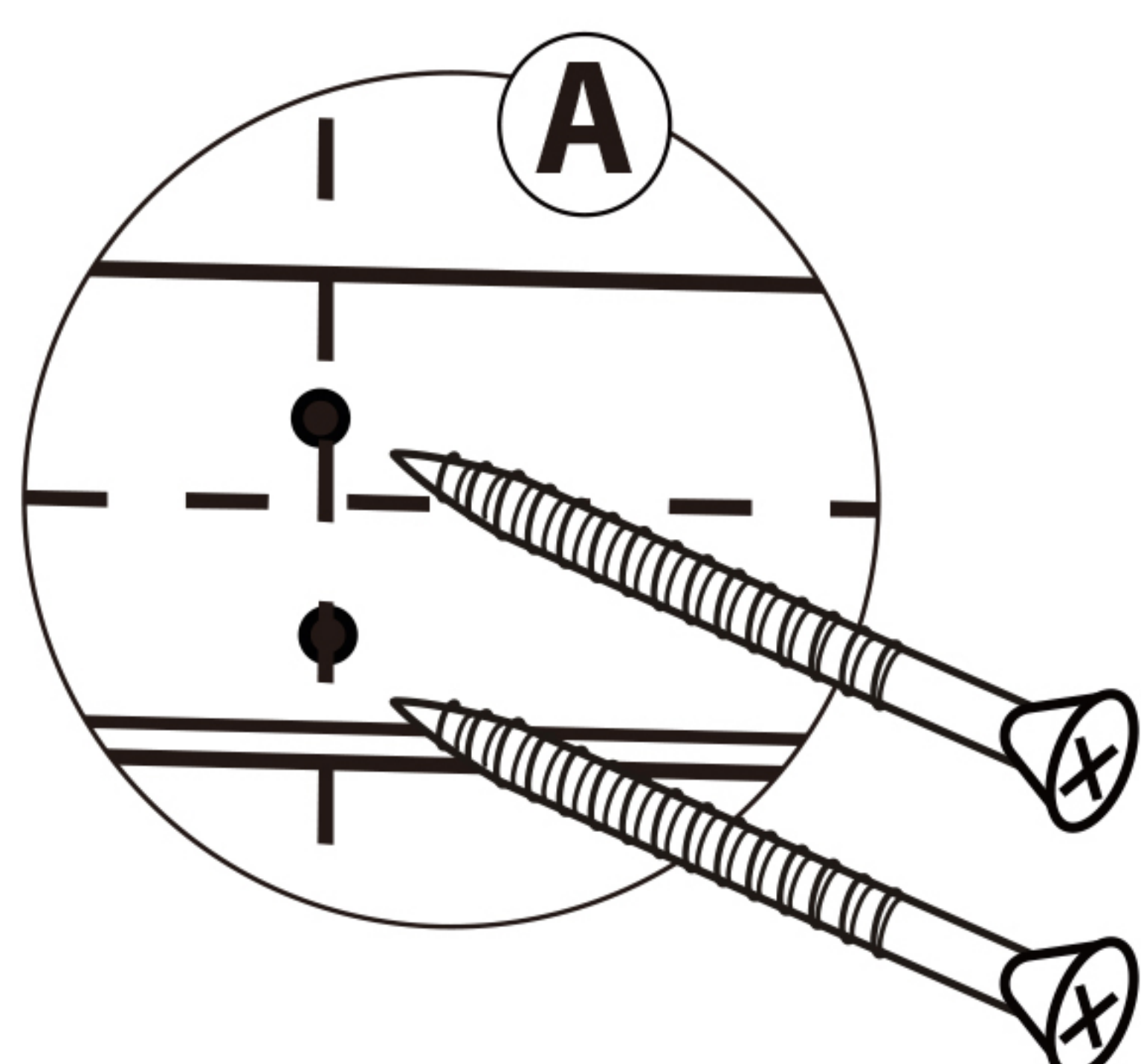
Instructions

It is very important to determine whether you will be installing a Header Board prior to installing the track.

Due to many overlapping factors such as the location of wall studs (Our rail come with pre-drilled holes every 16" on center), the weight of a barn door and the various types of trim used in homes, we recommend using a Header Board in all situations.

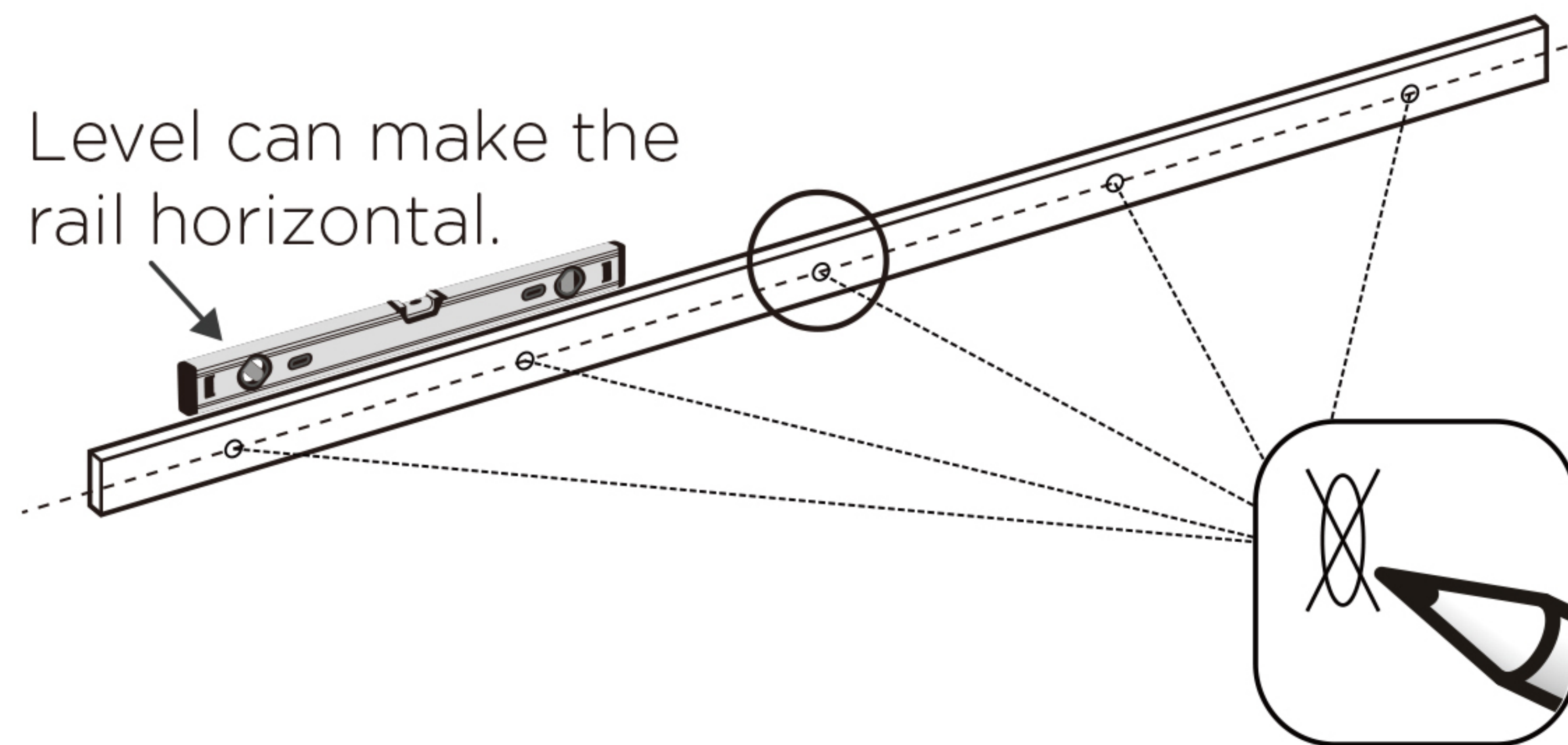
Please install a 1" x 4" or 1" x 6" Header Board above the door opening directly into studs.

Header Board must be solid wood and measure at least the full length of the track or longer

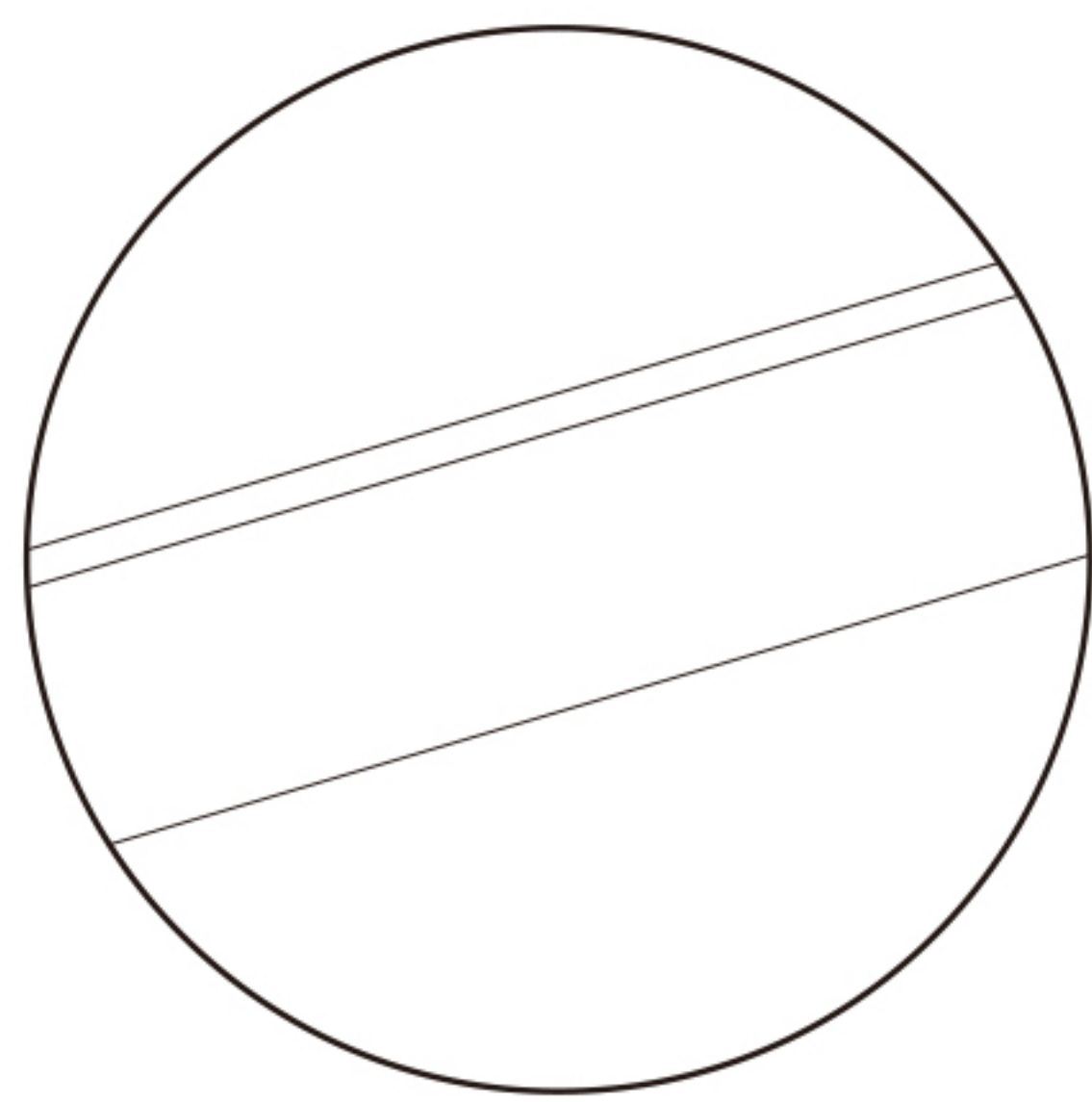


Step-1

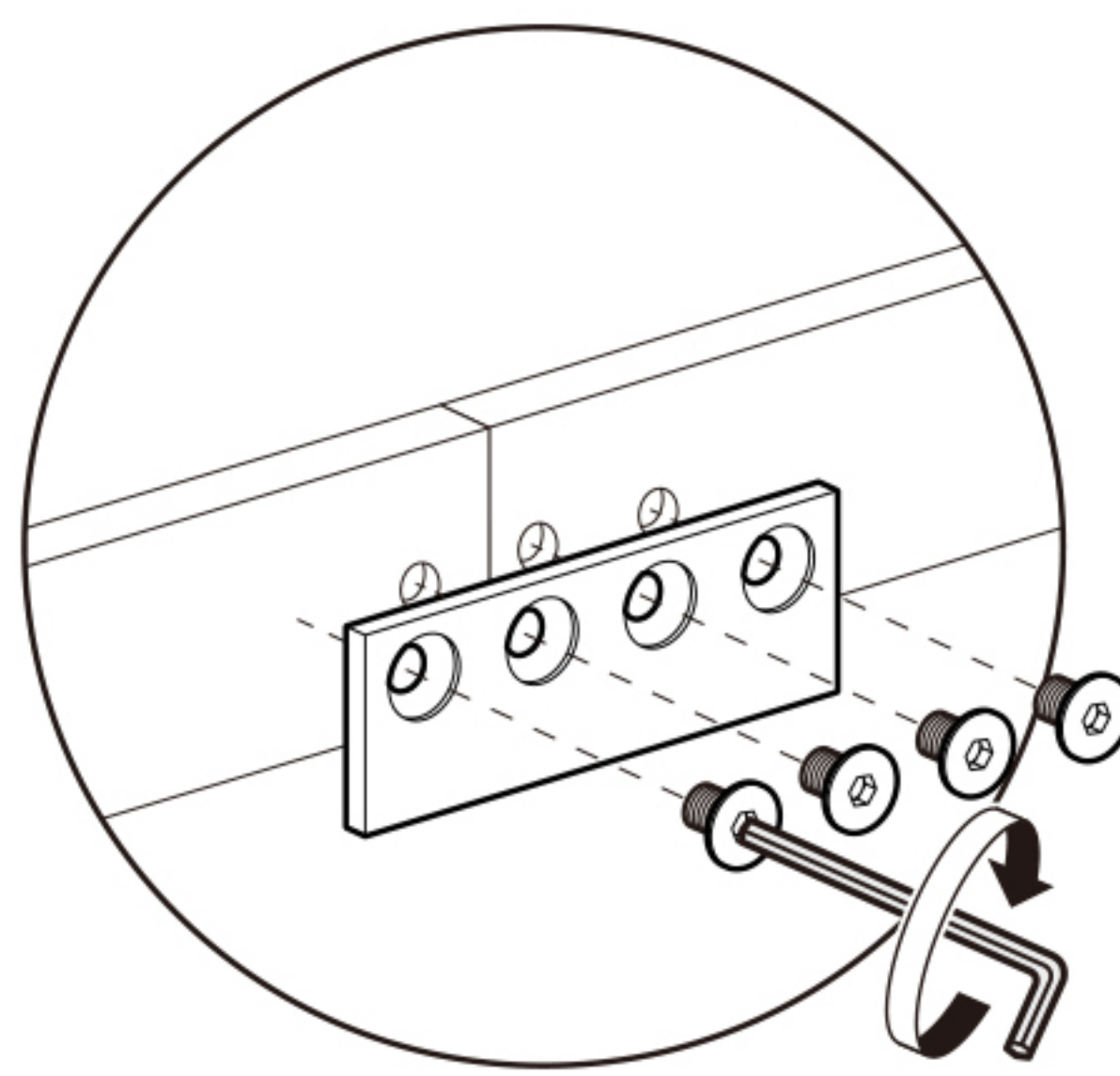
Place the rail against the wall, and use a pencil to mark where the holes should be. Make sure the height of holes on the wall is $H+1\frac{11}{16}$ ".



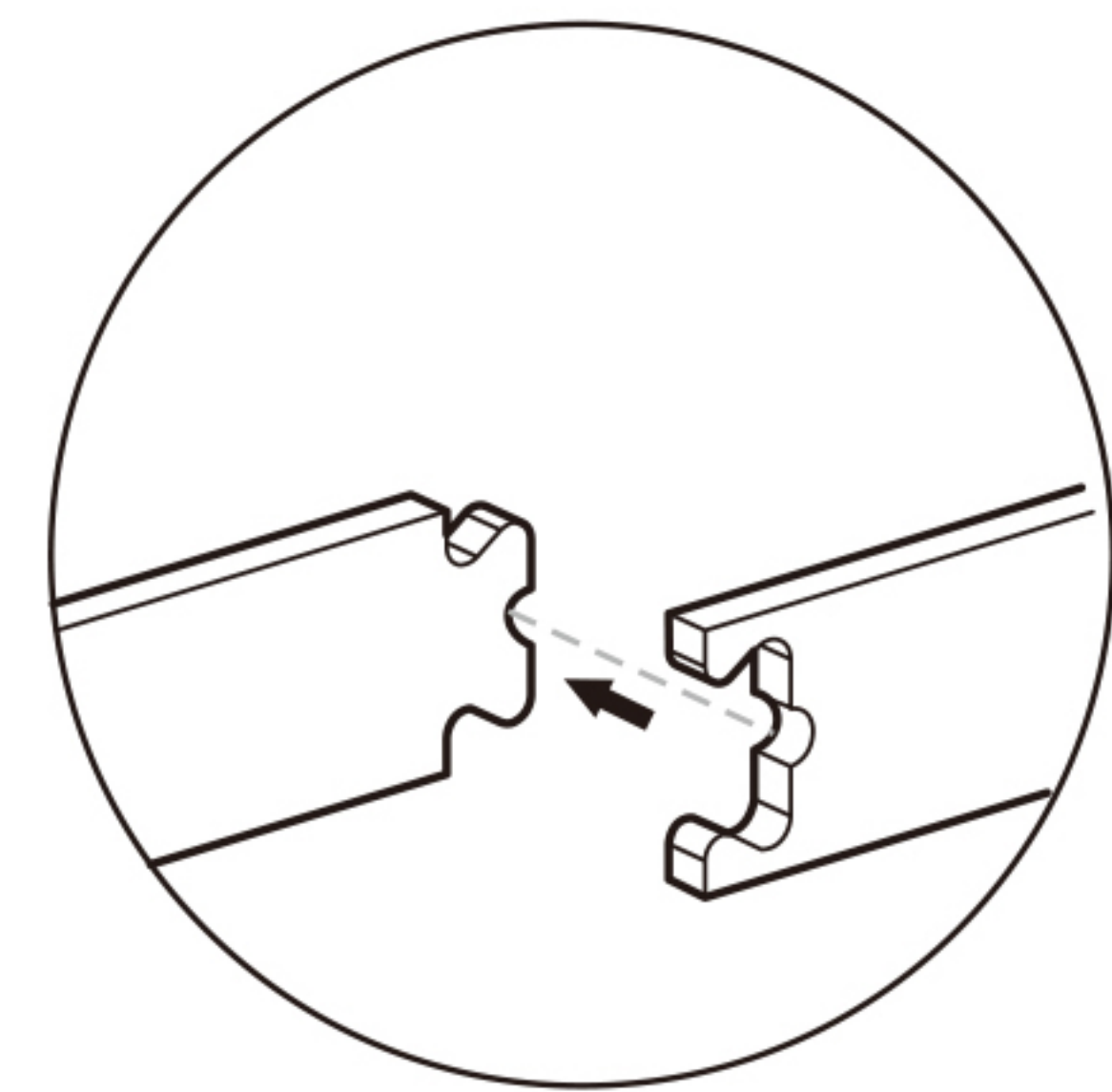
Please choose the installation method for the track based on the type of your track accessories.



One-Piece Track



Connector connection method



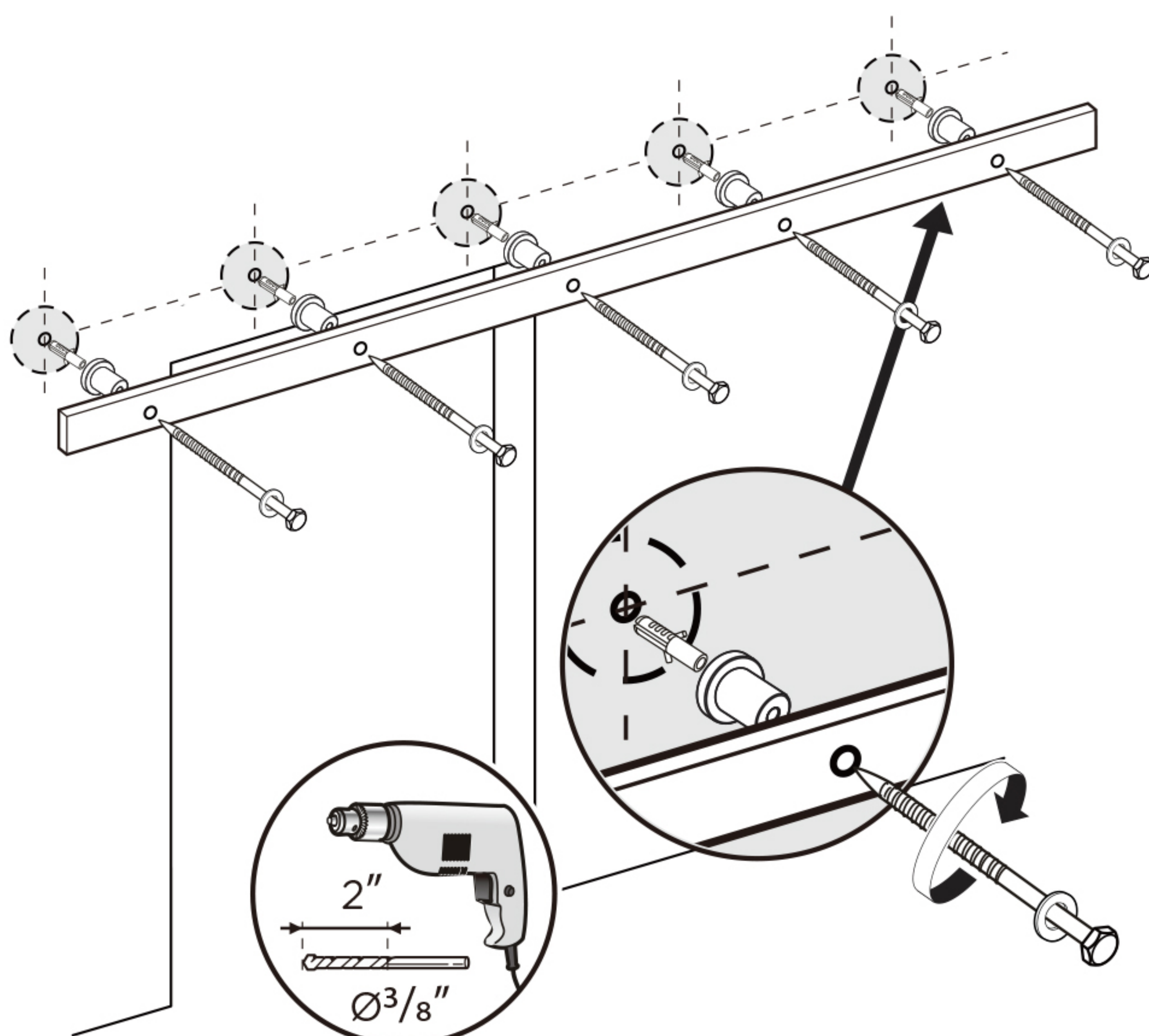
Wedge embedded connection method

Step-2

We provide 2 kinds of screws for you to install rail onto concrete wall or drywall.

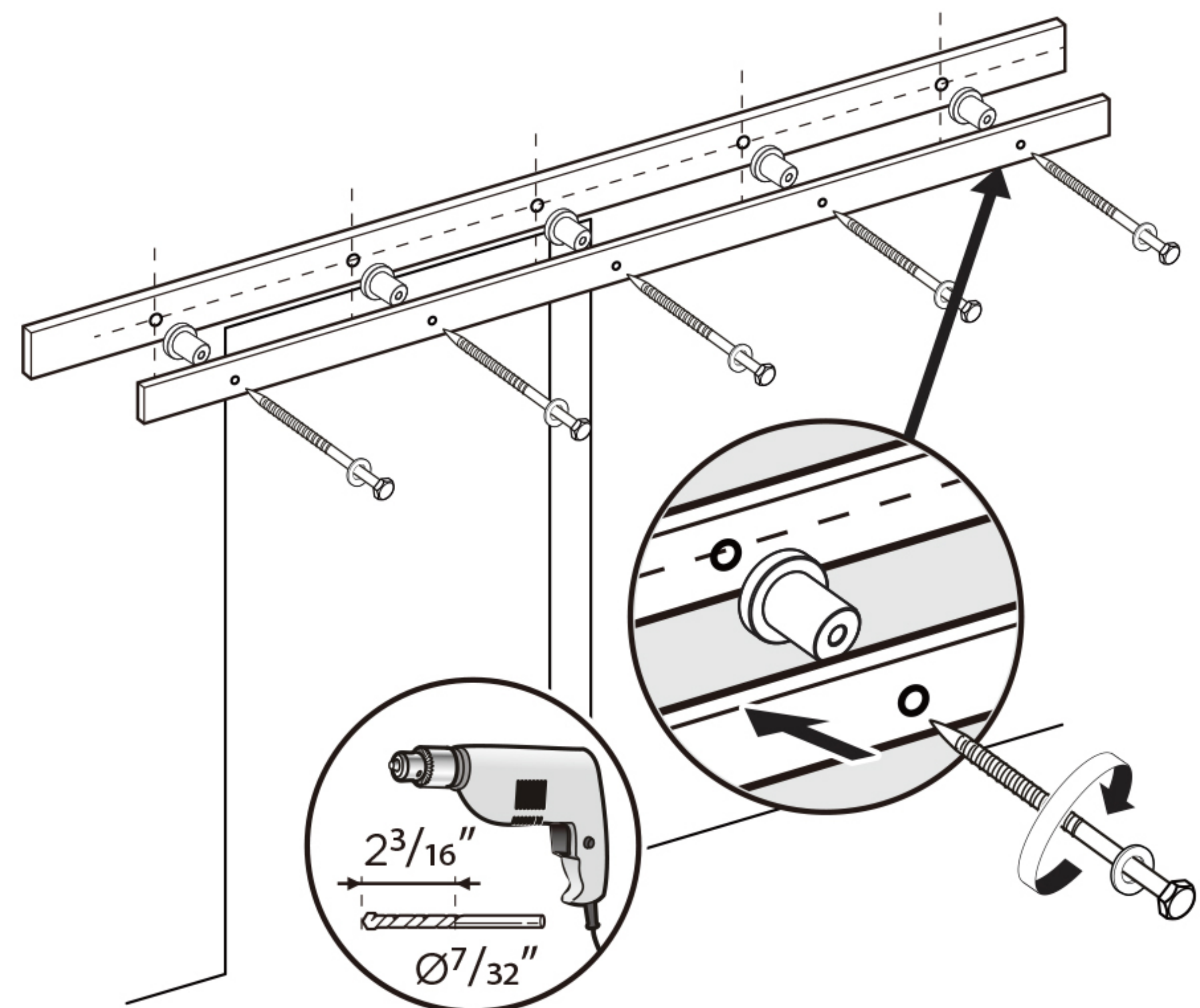
(A) Concrete wall Installation.

Install the anchor to holes on the concrete wall first, then install lag bolt to anchor.



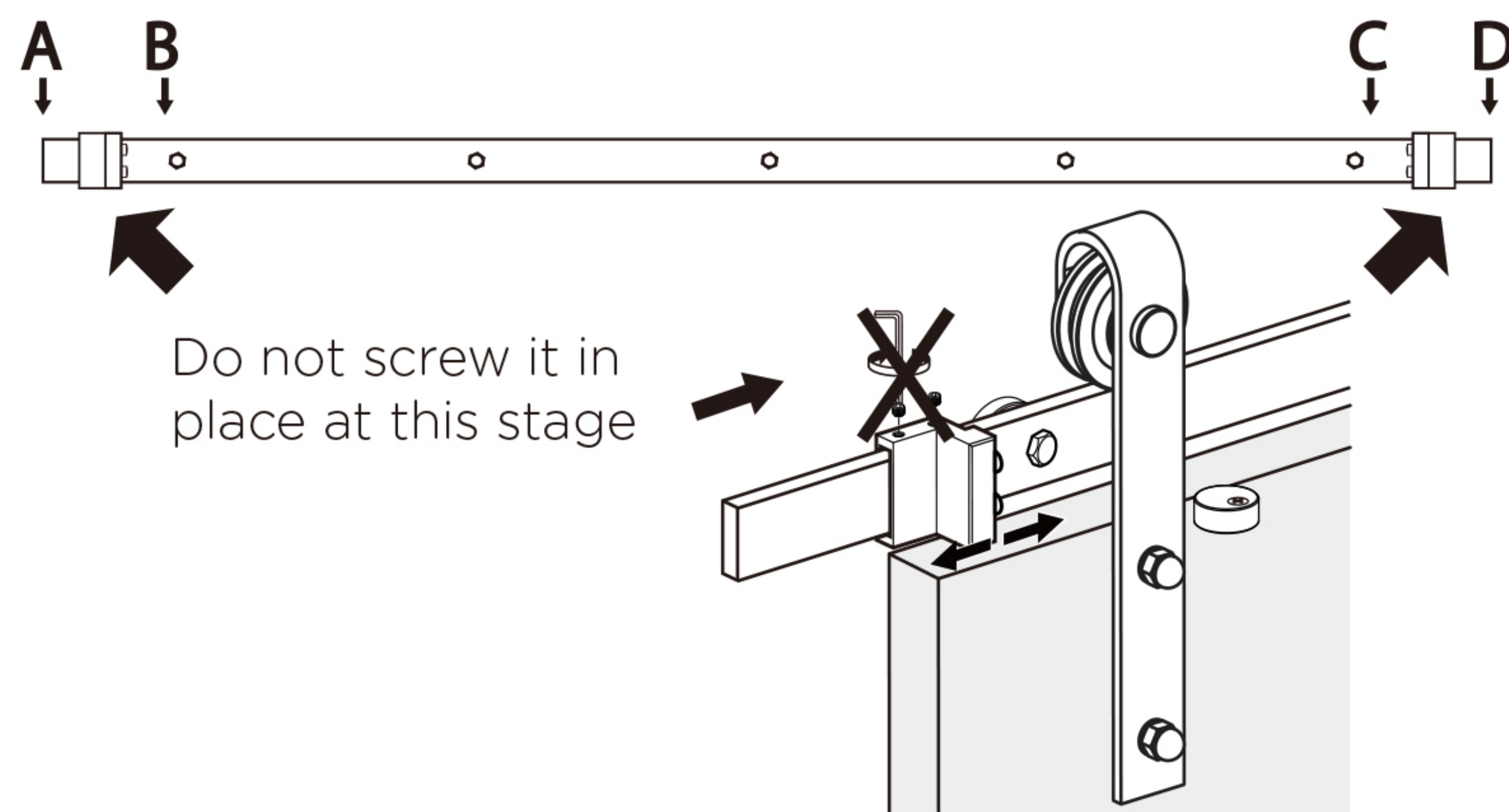
(B) Drywall Installation.

Install the lag bolt to wood stud or head board directly.



Step-3

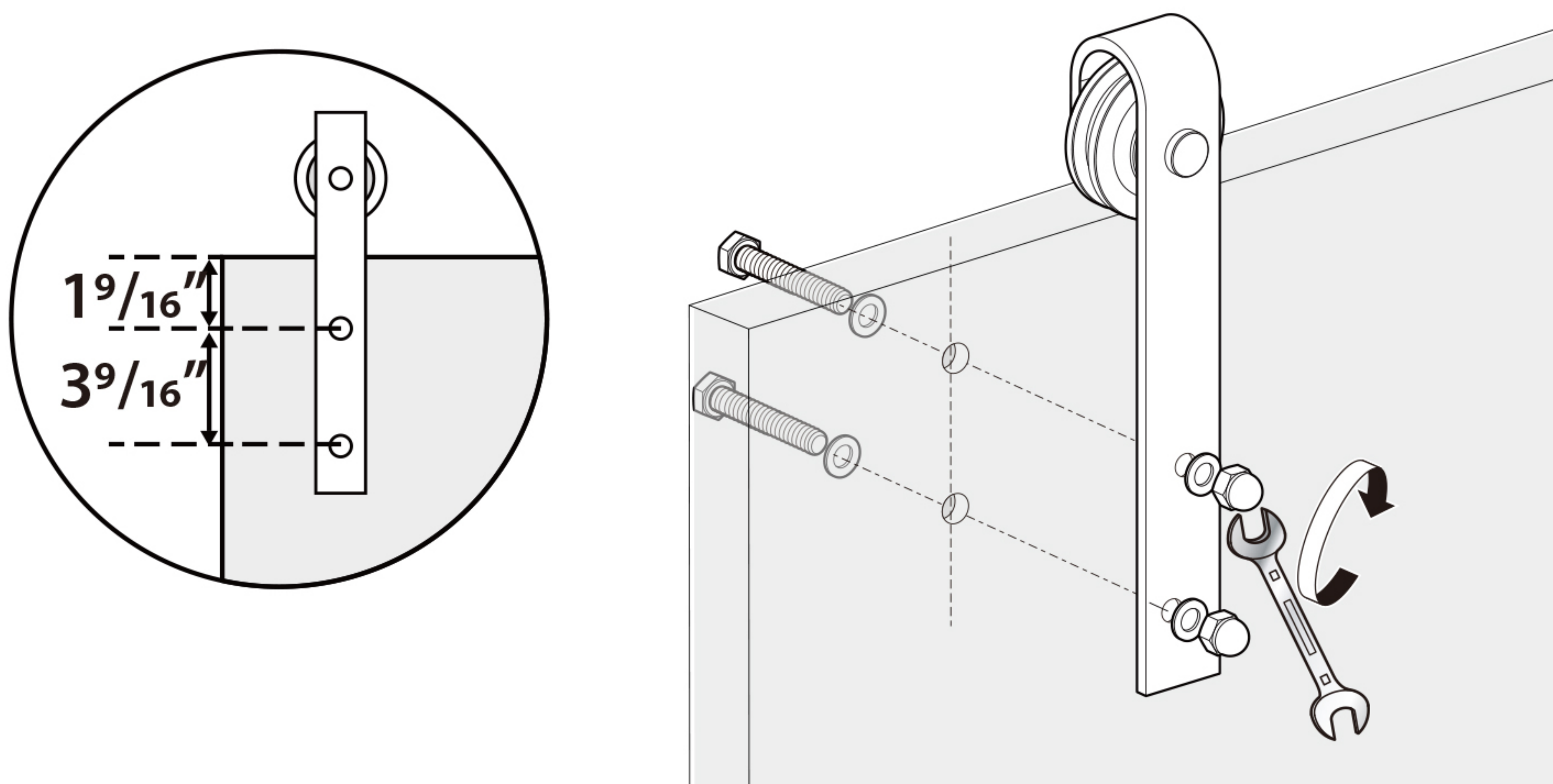
Insert door stoppers into rail. Install door stoppers between A-B and C-D
Door stopper is used to prevent the hangers coming out of the rail.



Step-4

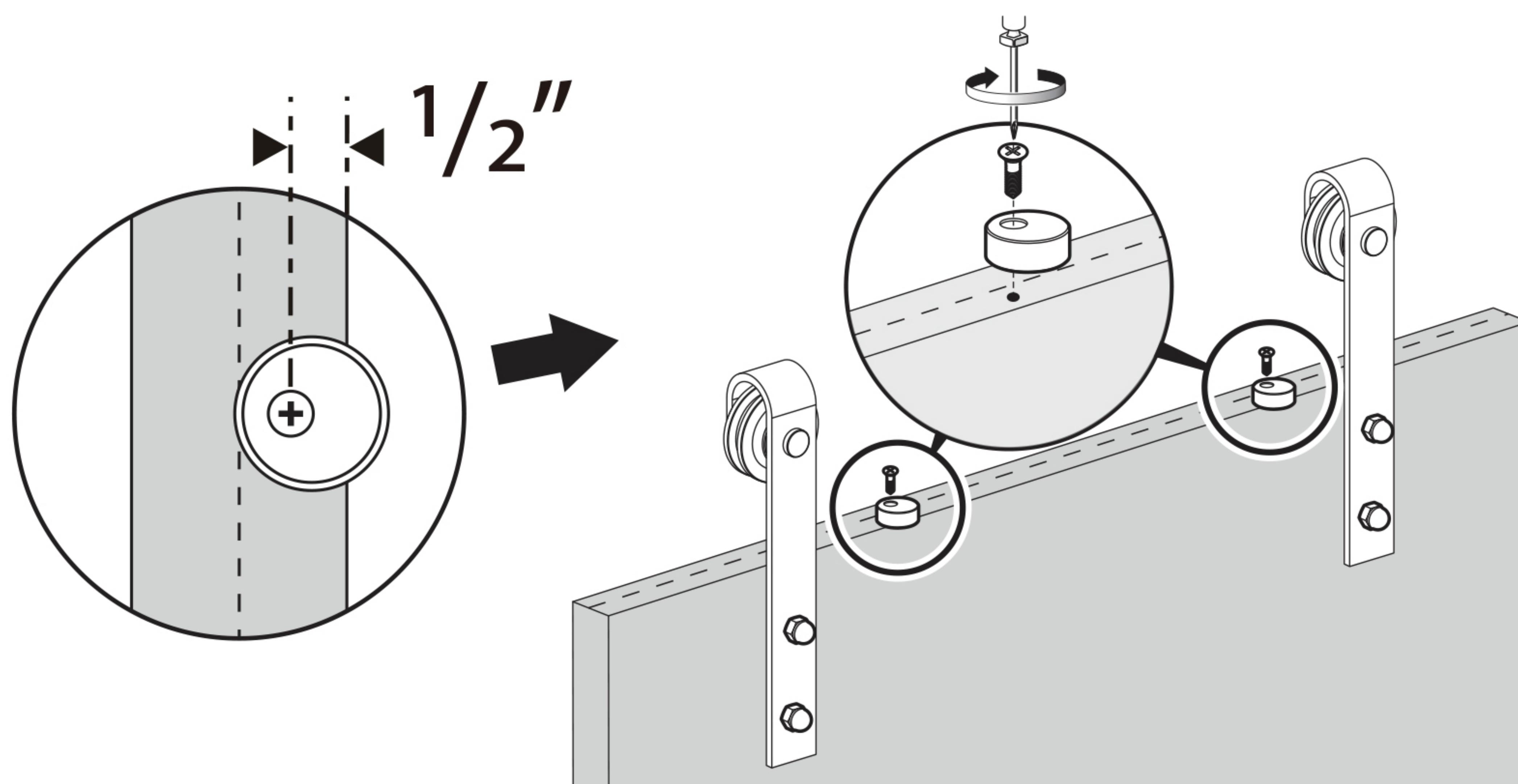
Install the hangers onto the door according to the measurement in the pictures below.
Maximum door thickness is $1\frac{3}{4}$ ".

If your door's thickness is less than $1\frac{3}{4}$ ", please add some bolt washers or cut the long door bolts to a suitable length to fit the door. Install the hangers onto the door according to the measurement in the pictures below .



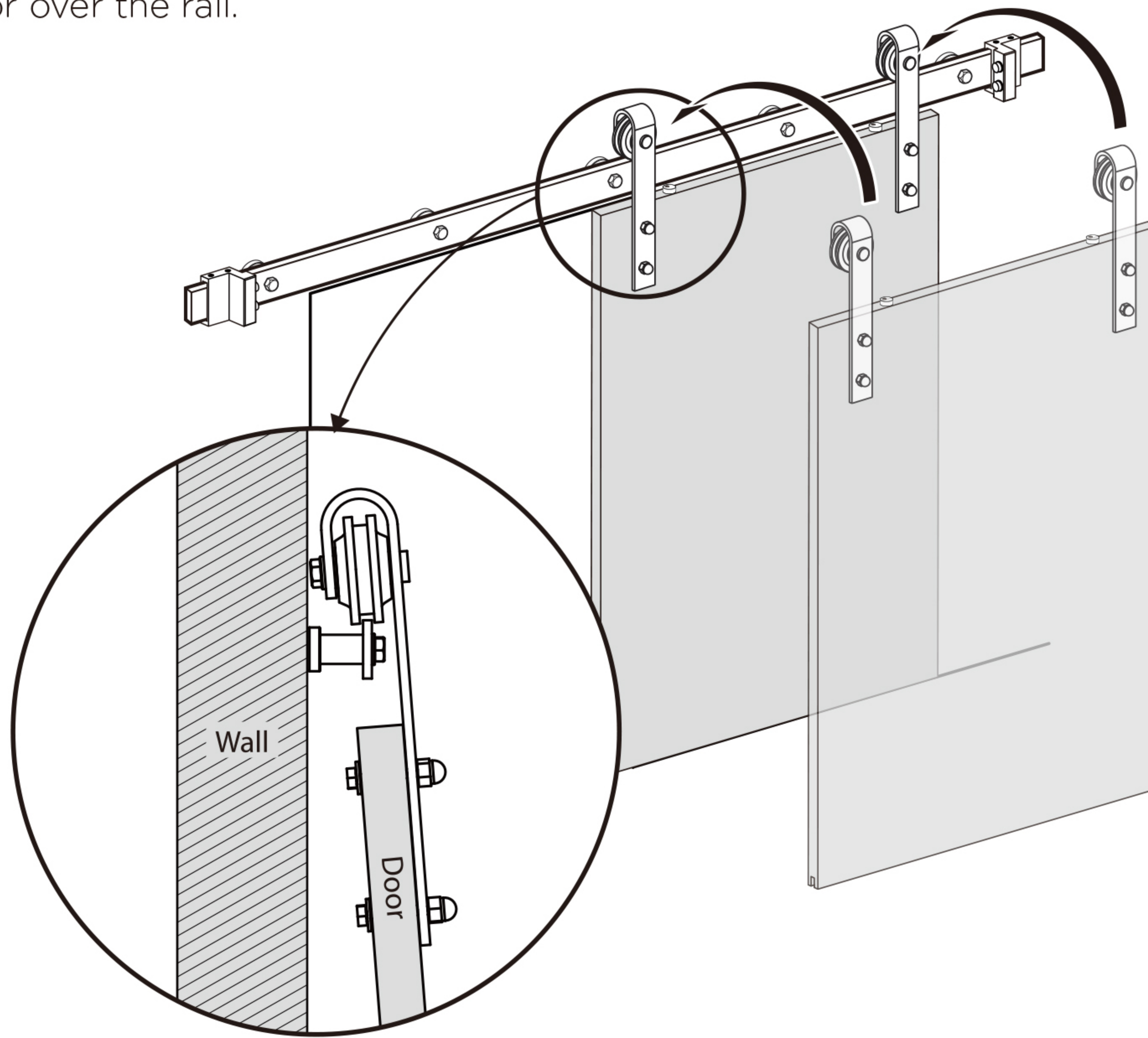
Step-5

The rubber ends are used to protect the door from touching the rail when sliding the door.
You need to drill holes on the door top side, please drill the holes $\frac{1}{2}$ " away from the edge of the door. Then install the rubber ends on the door.



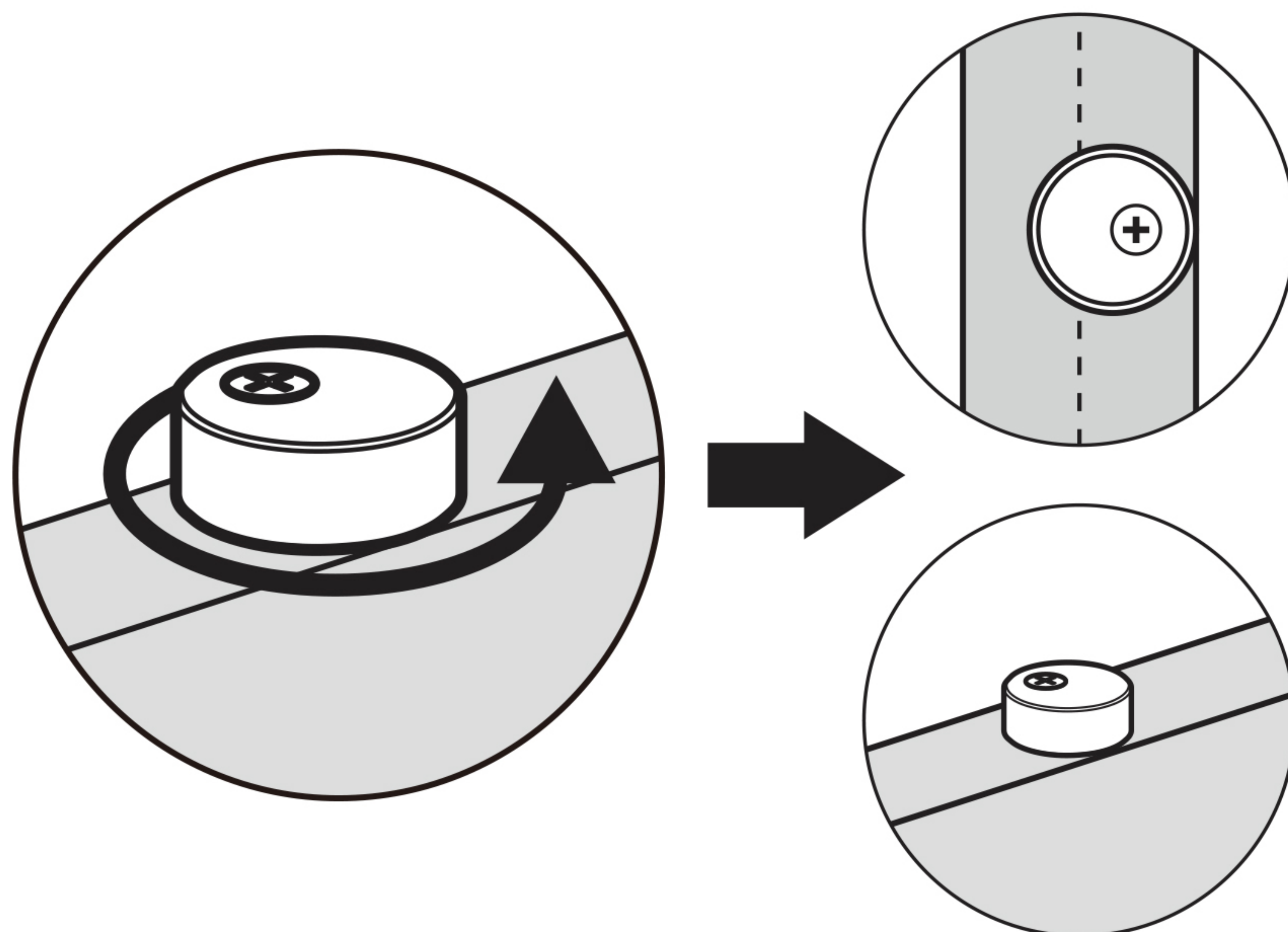
Step-6

Hang the door over the rail.



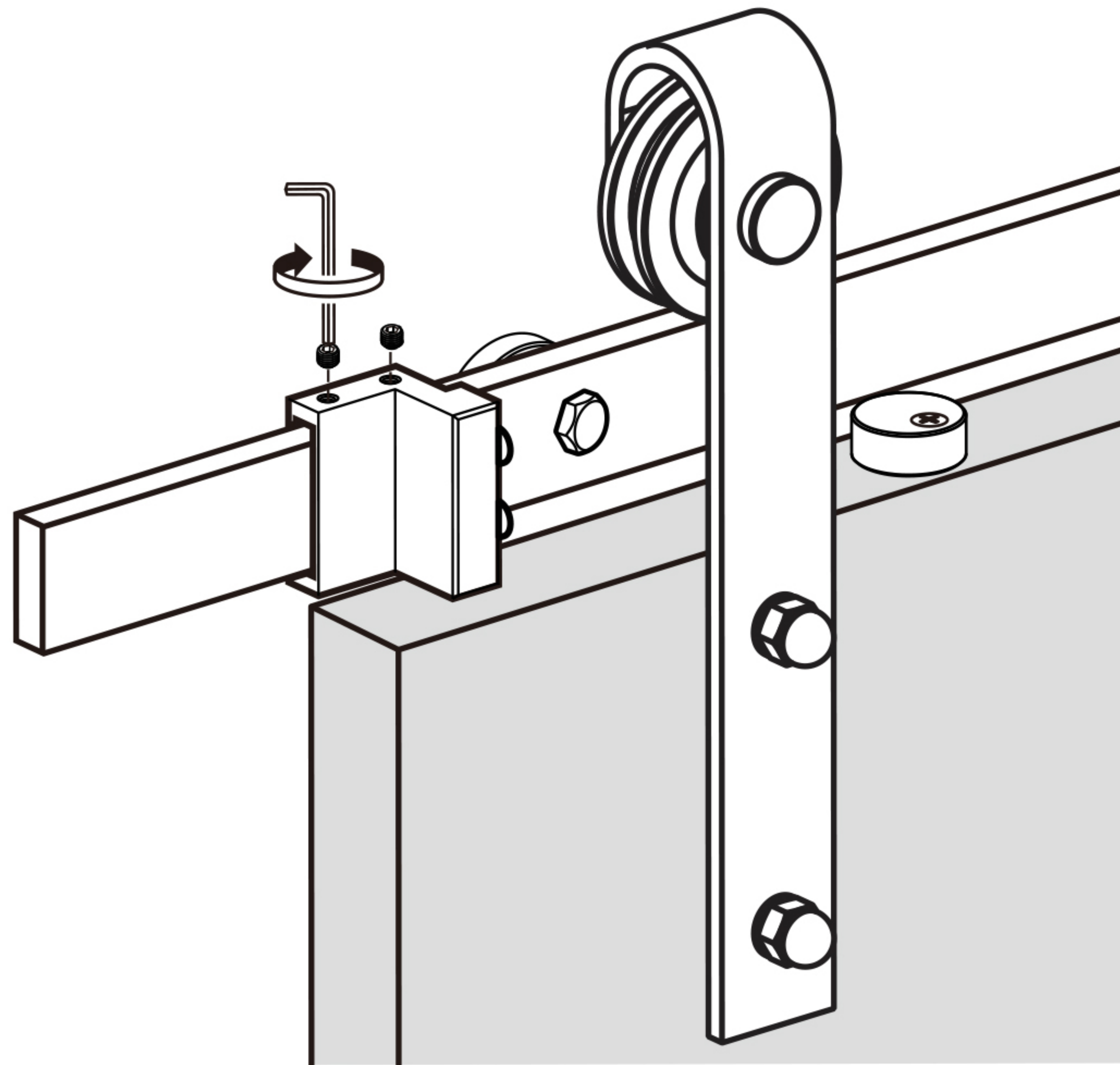
Step-7

Turn the rubber ends approximately 180 degrees so that they are stuck between the door and the rail.



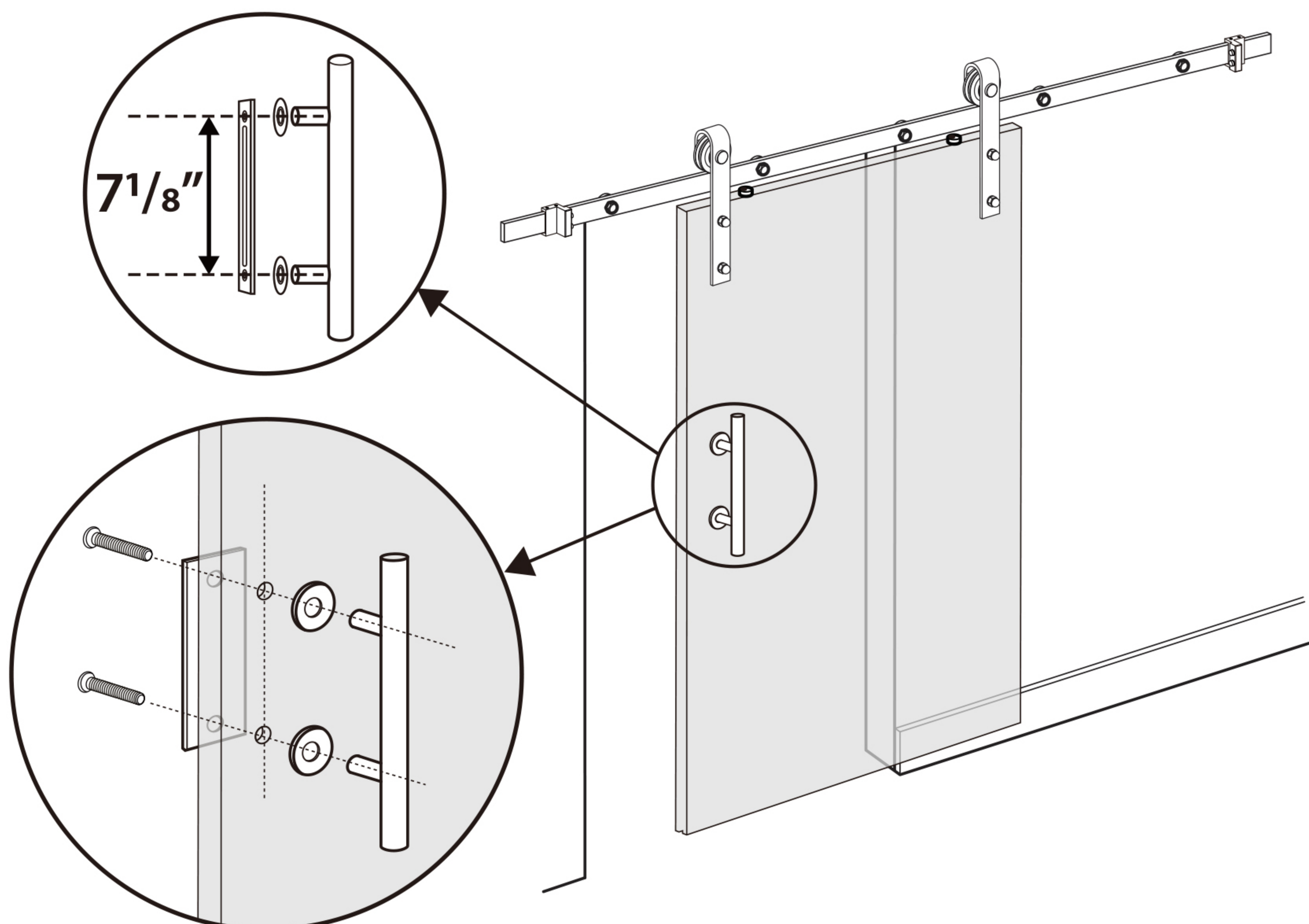
Step-8

Adjust the 2 door stoppers to find a suitable position, Use the hex key to screw the door stoppers in place.



Step-9

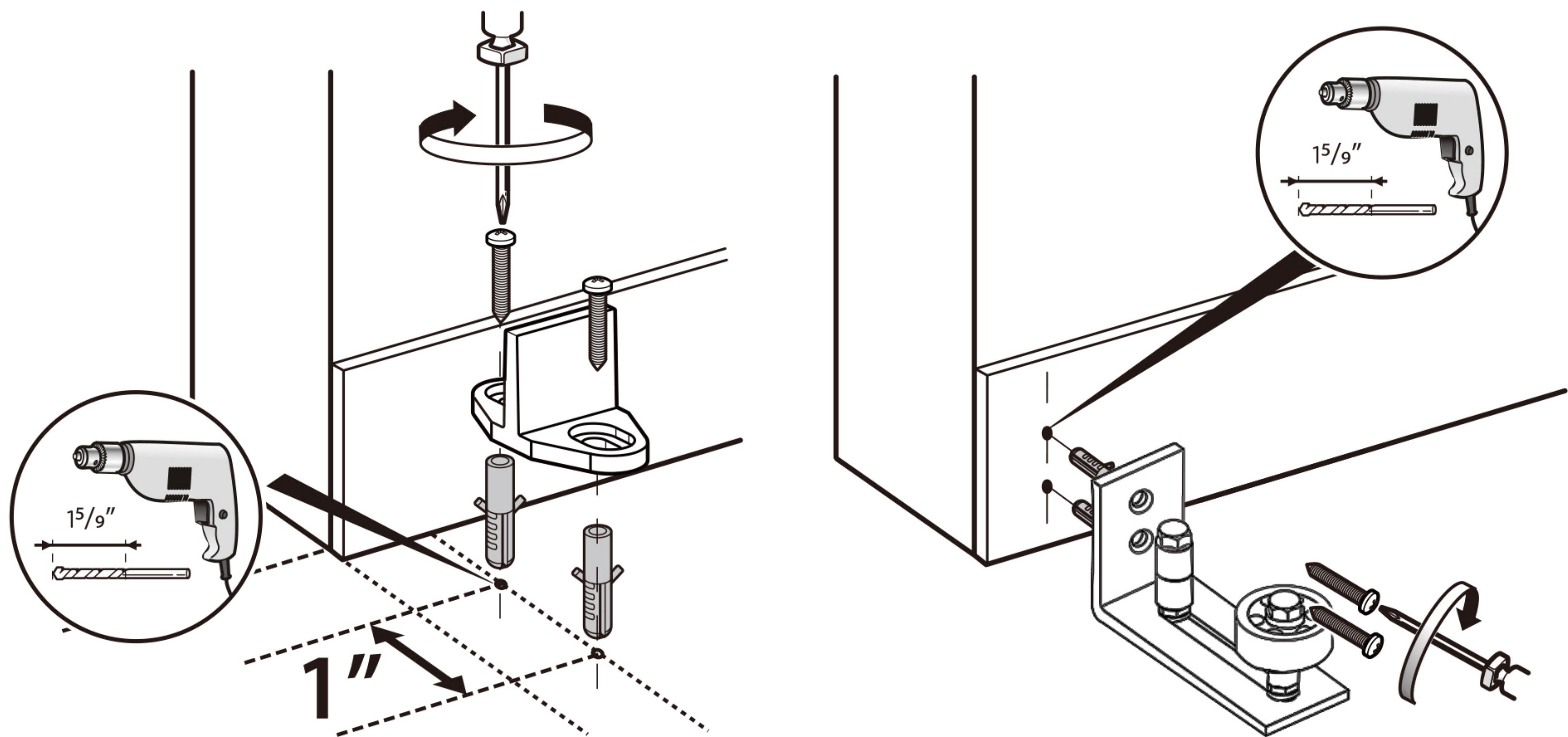
Install the barn door Handle Pull and Flush Hardware Set. Put barn door handle on the door first to fix a suitable position and make a mark, Use suitable drill bit to drill holes on the door where the mark is, and then install the barn door Handle Pull and Flush Hardware Set according to the picture.



Step-10

We provide 2 types of floor guide for you.

Floor guide is used to keep your door stable and prevent the door bottom swinging back and forth when you slide it open and closed.



a. T-shape floor guide (installed on the floor) use router or circular saw to create a kerf at bottom of the door, along the center to allow the tip of the T-shape floor guide to fit in between.

b. Roller floor guide (installed on to the wall), customize the distance according to the door thickness.

WARNING

- Failure to wear proper safety gear (i.e., eye protection) may result in serious injury or death. Always wear proper safety gear before using power tools.
- Improper operation of power tools may result in loss of control, serious injury or death. Always ensure you have complete control of the power tool and the work area is free of hazards before operating a power tool.
- Lack of secure clamping of the door may result in unexpected movement of the door, loss of power tool control and serious injury or death. Always securely clamp the door in place before cutting, or drilling, the door.
- Lack of, or improperly installed Anti-jump Disc may result in the door coming off the track and cause serious injury or death. Installation of Anti-jump Discs are required for safe operation of this hardware. Installed properly, these discs will keep the door securely attached to the track.

CAUTION

- Mishandling of heavy objects (i.e., doors) may cause a loss of balance and serious injury. Always be sure you have a secure hold on the object and are balanced before moving the object. Always wear safety shoes when lifting heavy objects.
- Getting body parts (i.e., hair, fingers) caught in moving parts may cause pinching and serious injury. Do not put fingers in parts that may move and always remove or contain anything on your body that may become entangled with a moving part.
- Closing sliding doors with your hand on the end of the door may result in your hand, or fingers, getting caught between the door and other solid objects (i.e., another door, molding) causing serious injury. Always use the door handle to close doors.

Usage Statement:

Use of excessive force when opening, and closing, the door(s) may result in damage to the hardware. Always hold the handle and gently open and close the door(s).