








DO NOT RETURN TO RETAILER
IF YOU HAVE ANY
QUESTIONS OR CONCERNS
PLEASE CALL

ASSEMBLY INSTRUCTION

HARDWARE			
A	Bolt 6 x 60		4
B	Bolt 6 x 60		4
C	Barel Nuts		8
D	8 x1" Wood Screws		24
E	Wood Dowels		16
F	Per Pull		4
G	Allen Key		1

Parts

(P1) Side Panel x 2



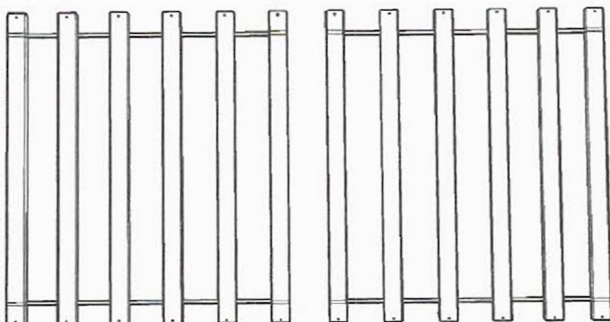
Side Rail x 2 (P2)



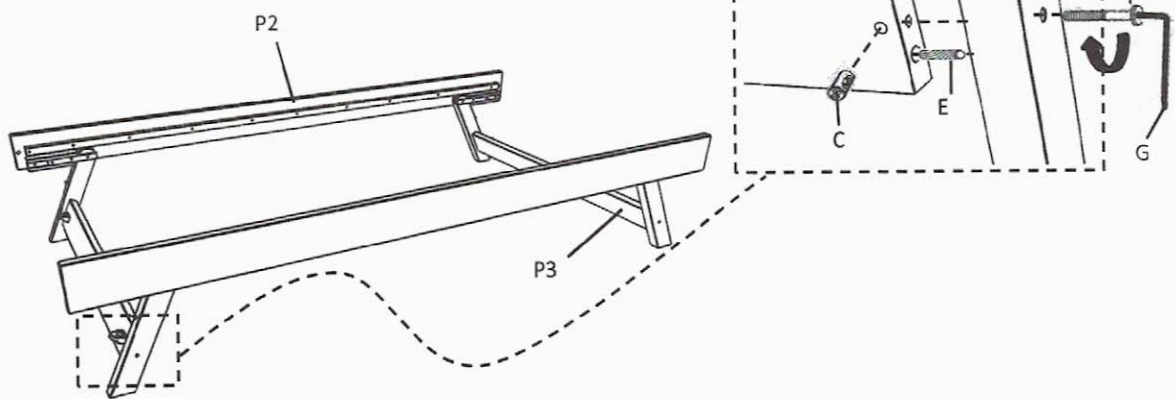
Bottom Support x 2 (P3)





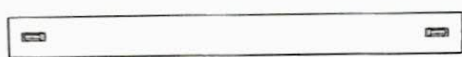


Set Of Slat x 1 (P4)

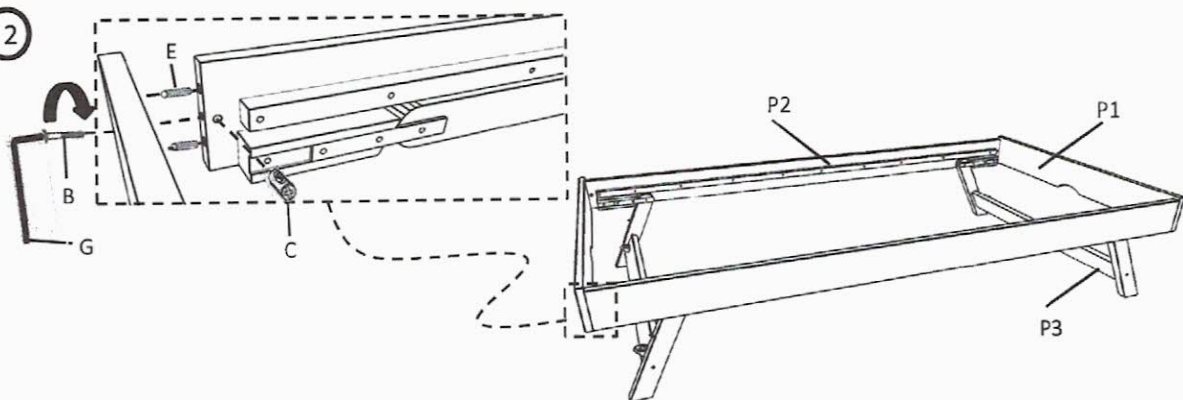







1



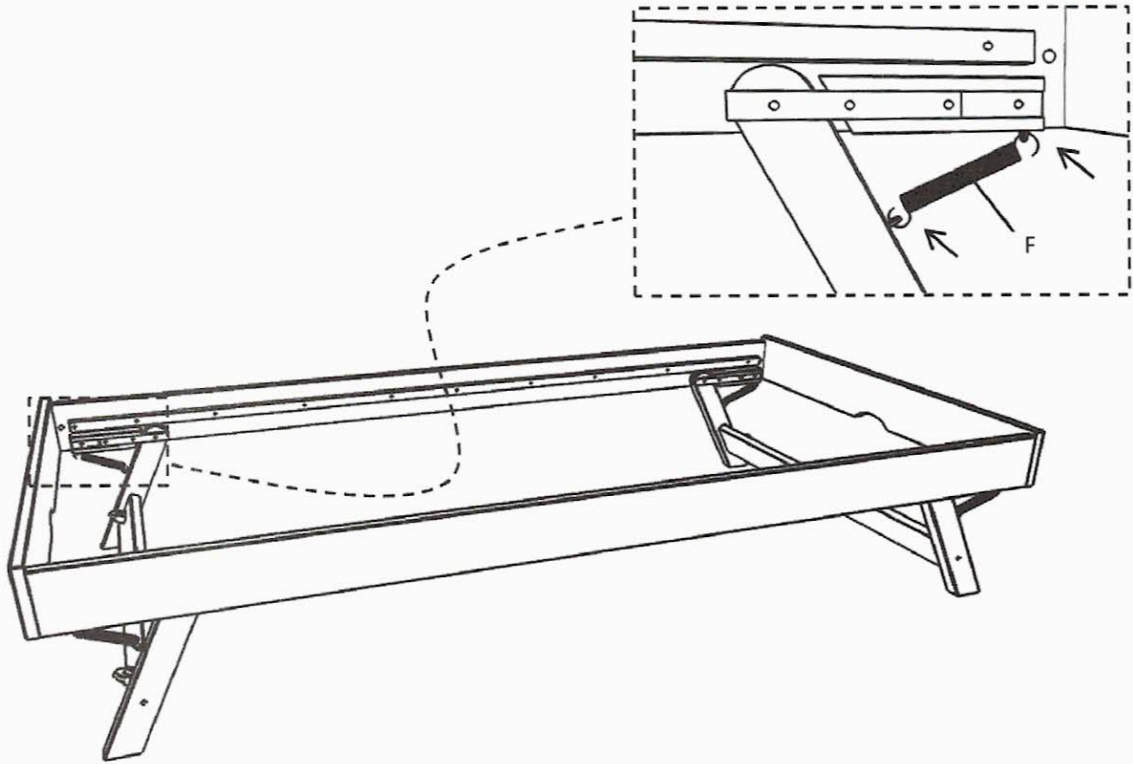
HARDWARE		
A		4
C		4
E		8
parts		
		

2



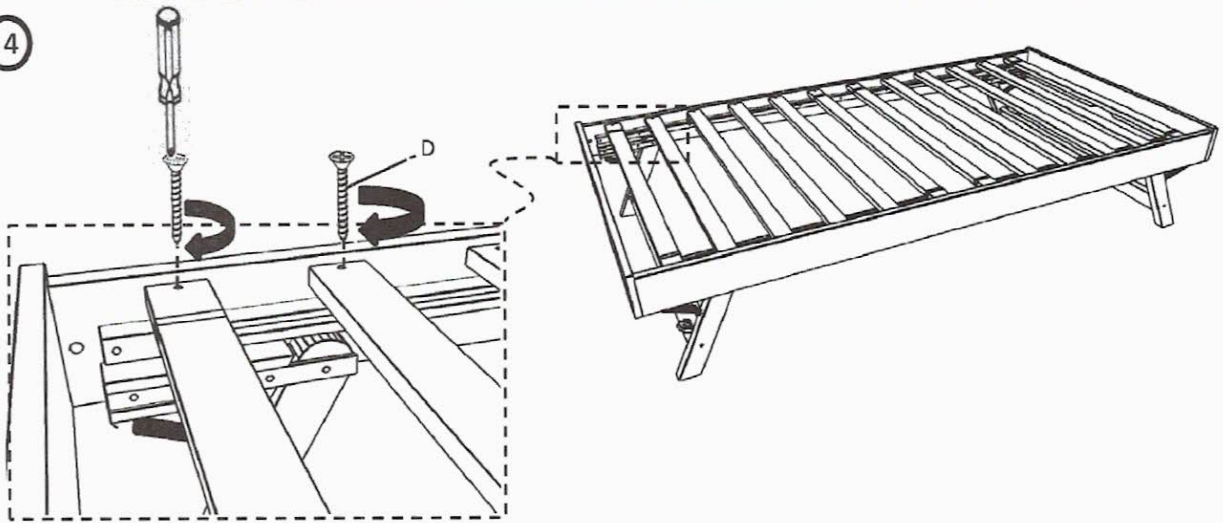
HARDWARE		
B		4
C		4
E		8
parts		
		



3



HARDWARE		
F		4

4



HARDWARE		
D		24
parts		

COMPLETE

