

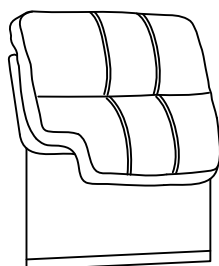
ASSEMBLY INSTRUCTIONS

POWER SOFA W/ USB POWER OUTLET

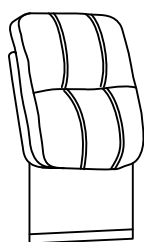
Thank you for purchasing this quality product .Be sure to check all packing materials carefully for small parts that may have come loose inside the carton during shipment.
Before you Assemble: Please read all instruction carefully before beginning the assembly process. It is recommended that 2 people work together during assembly to prevent personal injury and to ensure that heavy or cumbersome parts are not damaged during the process.

CAUTION:For your safety,this product requires two people to lift.

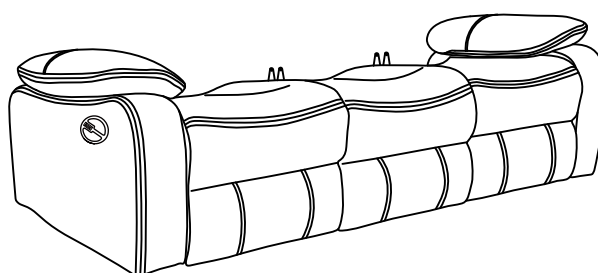
PART LIST



A



B

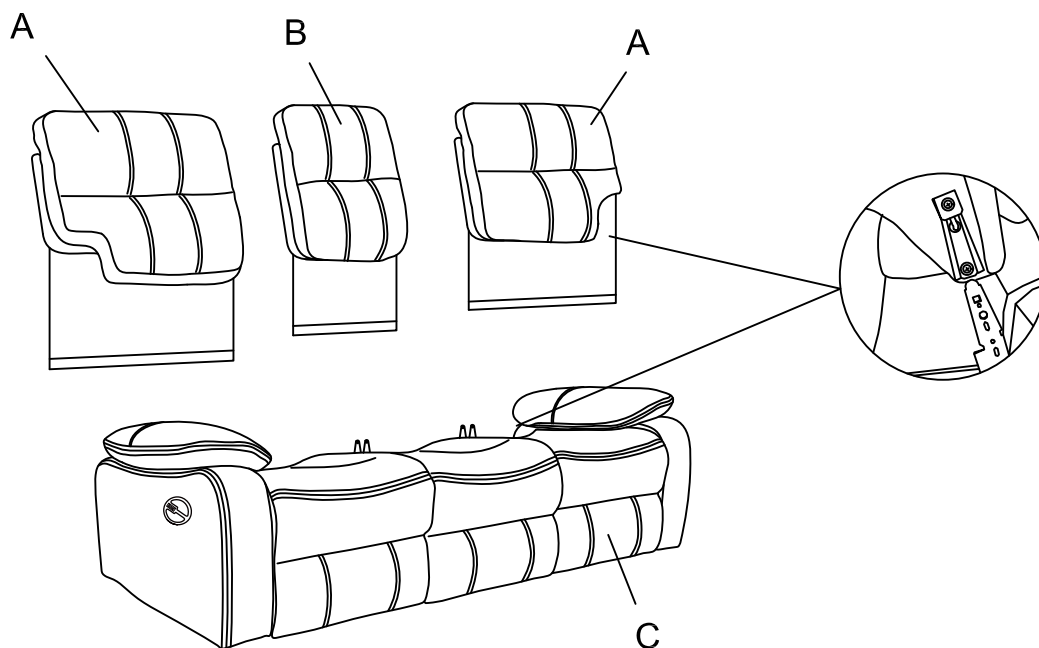


C

A	BACKRE (LE & RIGH)	2 PCS
B	CENTER BACKREST	1 PC
C	CHAIR BASE	1 PC

STEP 1

Attach BACKREST (A) and CENTER BACKREST (B) to CHAIR BASE (C) by inserting the metal brackets.

**STEP 2**

Remove power cord from stored location, insert matching end into back of sofa, then plug into wall. Note, power cord stored in console base.

