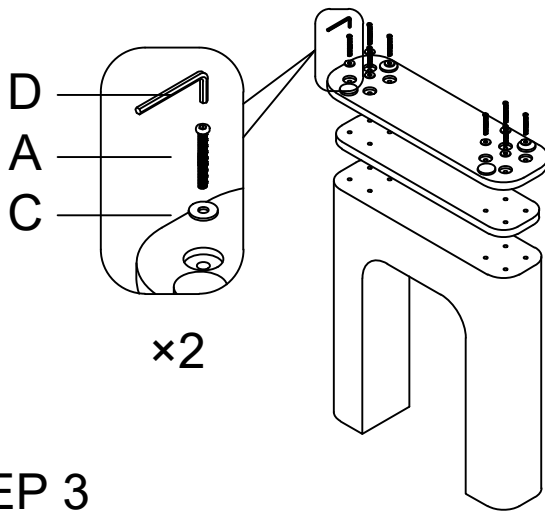
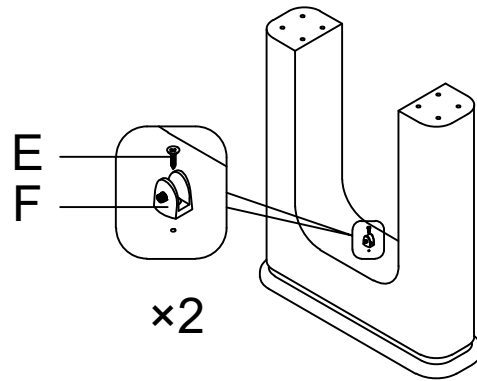


ASSEMBLY INSTRUCTION

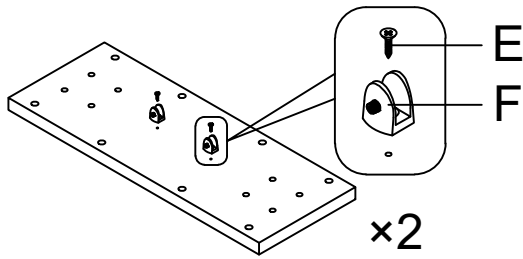
STEP 1



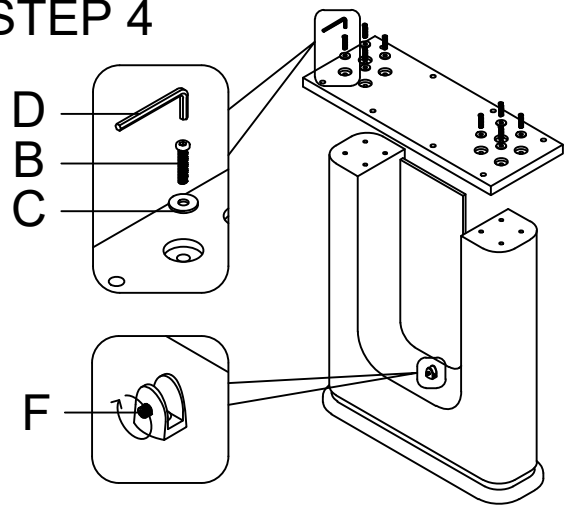
STEP 2



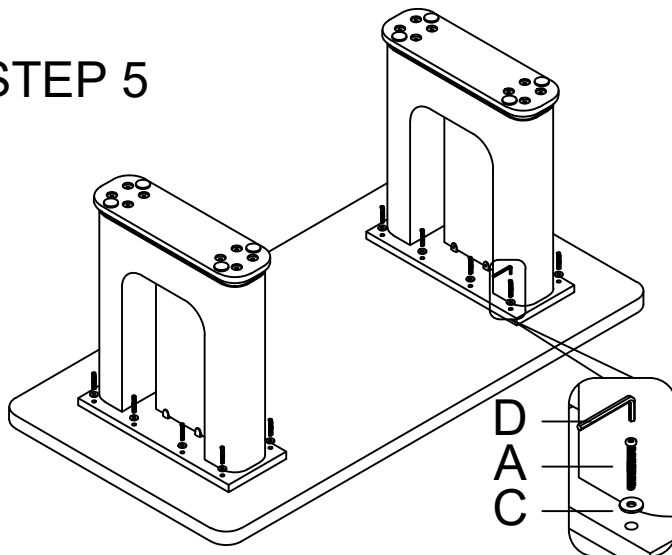
STEP 3



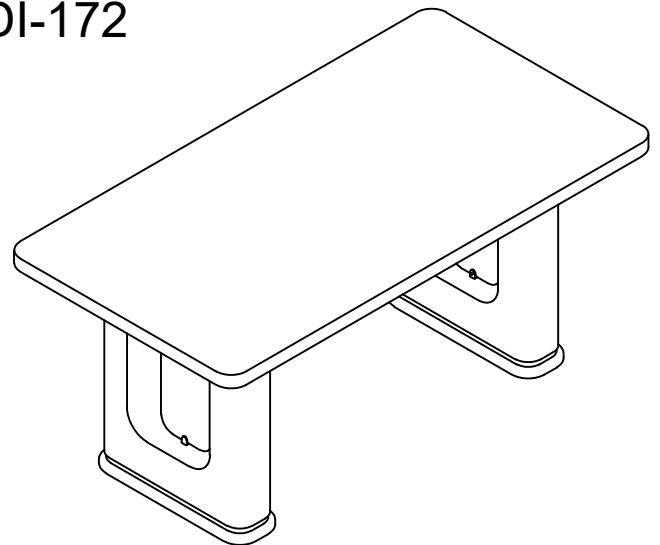
STEP 4



STEP 5



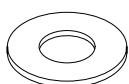
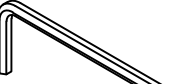




DI-172



Please strictly follow the instructions manual for assembly. Using the wrong screws may result in damage to the product.

At least 2 people are required for product assembly

A  M8*55mm 32pcs	B  M8*40mm 16pcs	C  48pcs	D  M5 1pc
E  M3.5*16mm 6pcs	F  6pcs		