

# **ASSEMBLY INSTRUCTION**

# ASSEMBLY INSTRUCTION

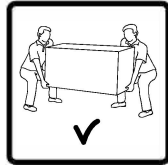
## ASSEMBLY TIPS:

1. Remove hardware from box and sort by size.
2. Please check to see that all hardware and parts are present prior to start of assembly.
3. Please follow attached instructions in the same sequence as numbered to assure fast & easy assembly.



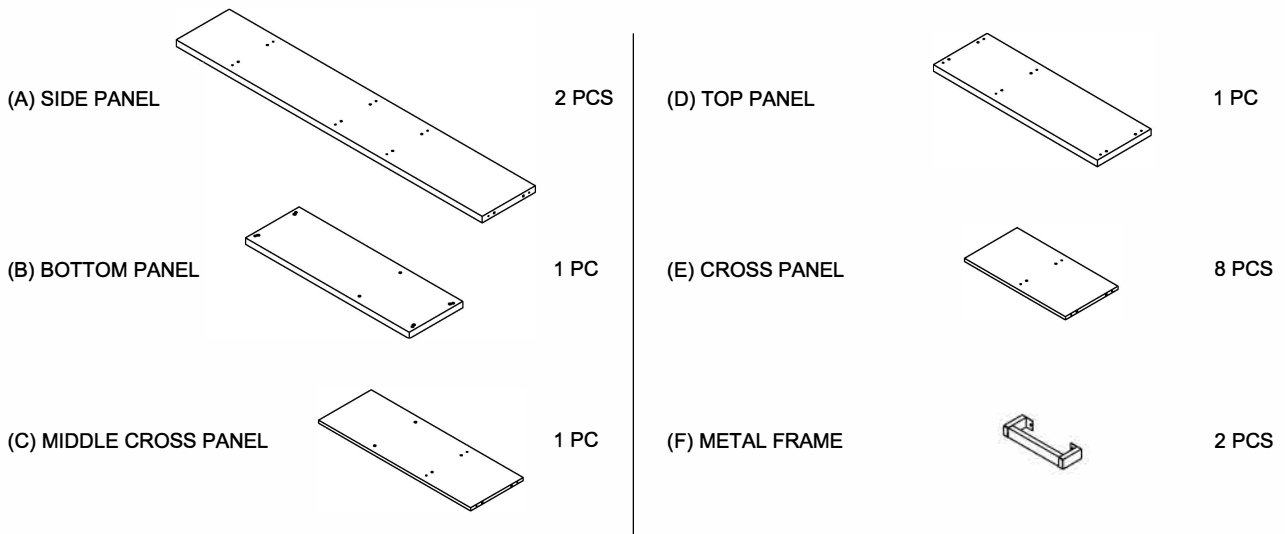
## Warning !

1. Don't attempt to repair or modify parts that are broken or defective. Please contact the store immediately.
2. This product is for home use only and not intended for commercial establishment.

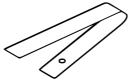





ASSEMBLY TIME PER UNIT: 40 MINUTES

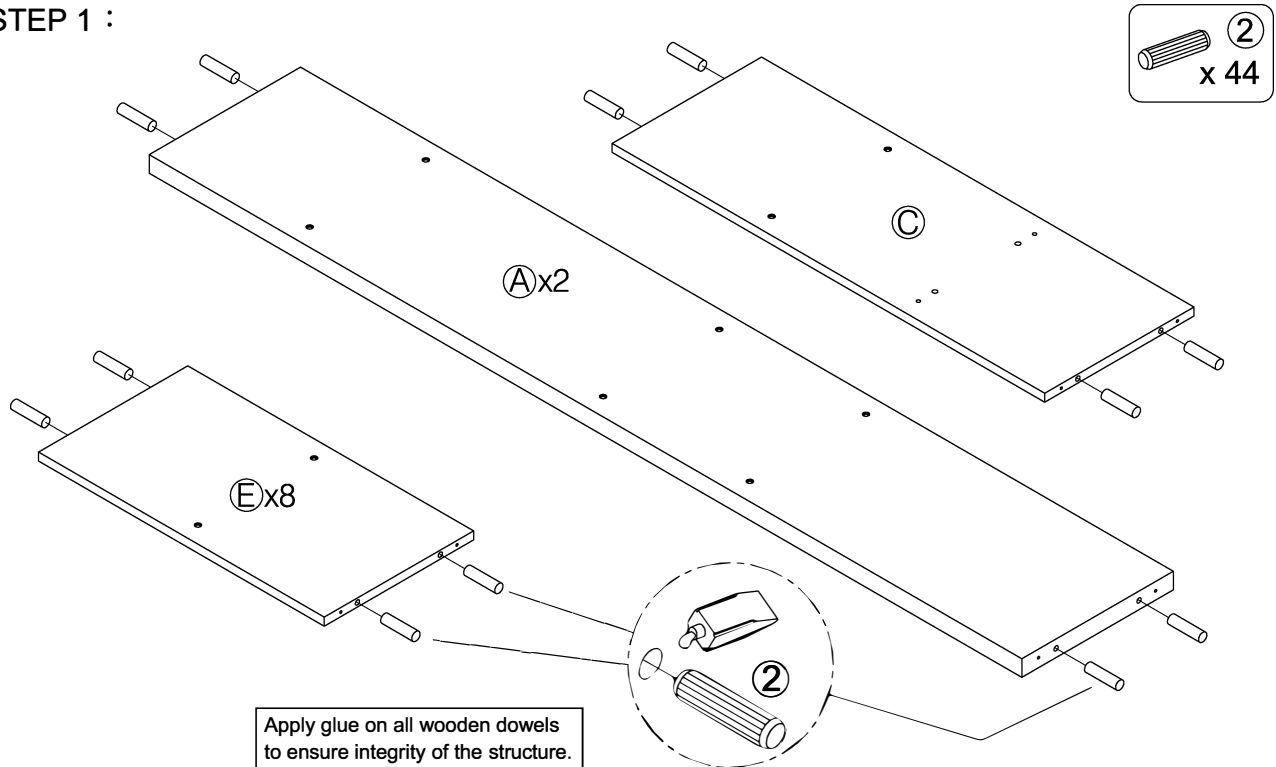
## PARTS IDENTIFICATION:



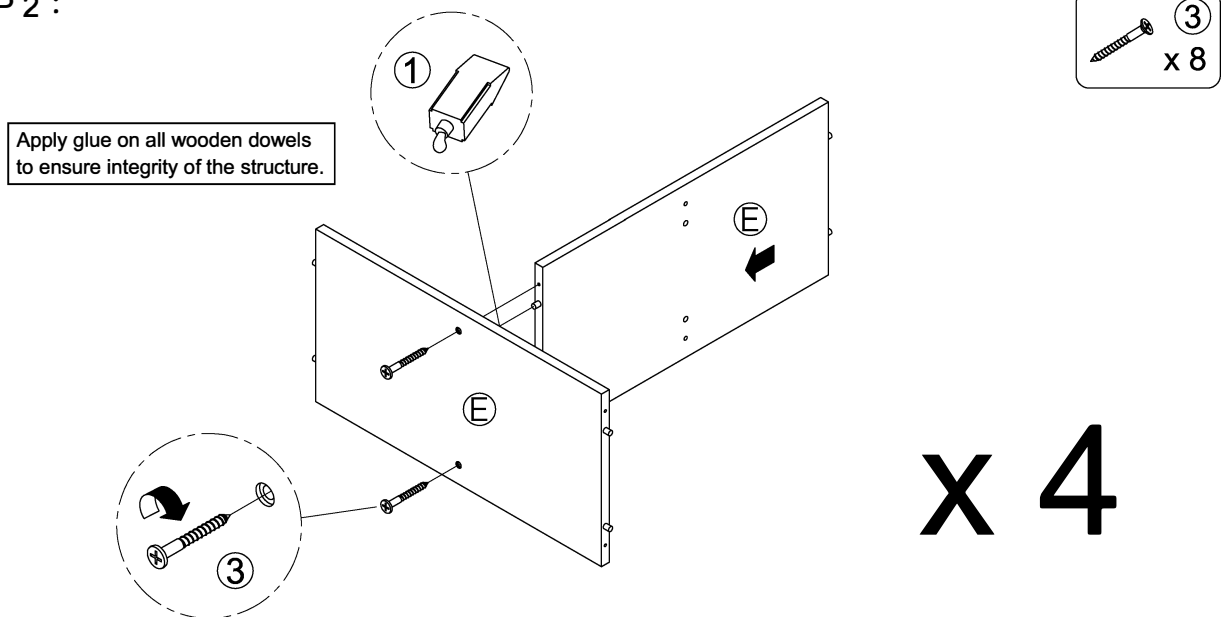
Z	HARDWARE PACKAGE						
NO	DESCRIPTION	FIGURE	Q'TY	NO	DESCRIPTION	FIGURE	Q'TY
1	GLUE 40g		1 PC	5	BOLT M6x15mm		4PCS
2	WOODEN DOWEL ø8x30mm		44 PCS	6	ALLEN WRENCH		1PC
3	SCREW ø4.5x42mm		20 PCS	7	STICKER ø20mm		7PCS
4	BOLT ø9.5x55mm		24 PCS				

Z HARDWARE PACKAGE							
NO	DESCRIPTION	FIGURE	Q'TY	NO	DESCRIPTION	FIGURE	Q'TY
8	ANTI-TIP STRAP 170x15mm		2PCS	10	LONG SCREW Ø4x25mm		2PCS
9	WALL PLUG 6x30mm		2PCS	11	SCREW Ø4x16mm		2PCS

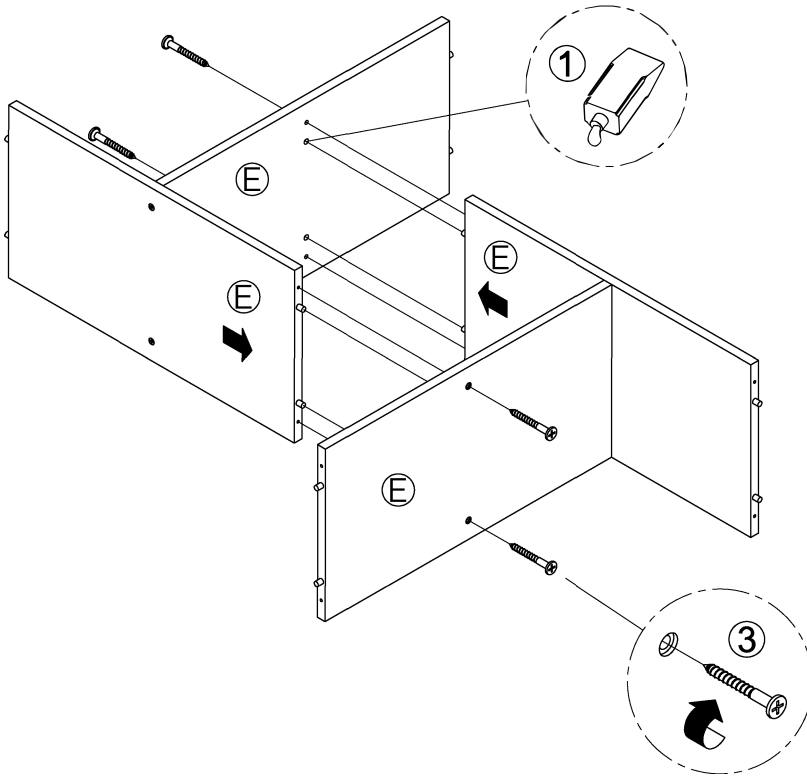
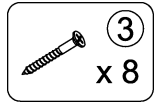
STEP 1 :



STEP 2 :

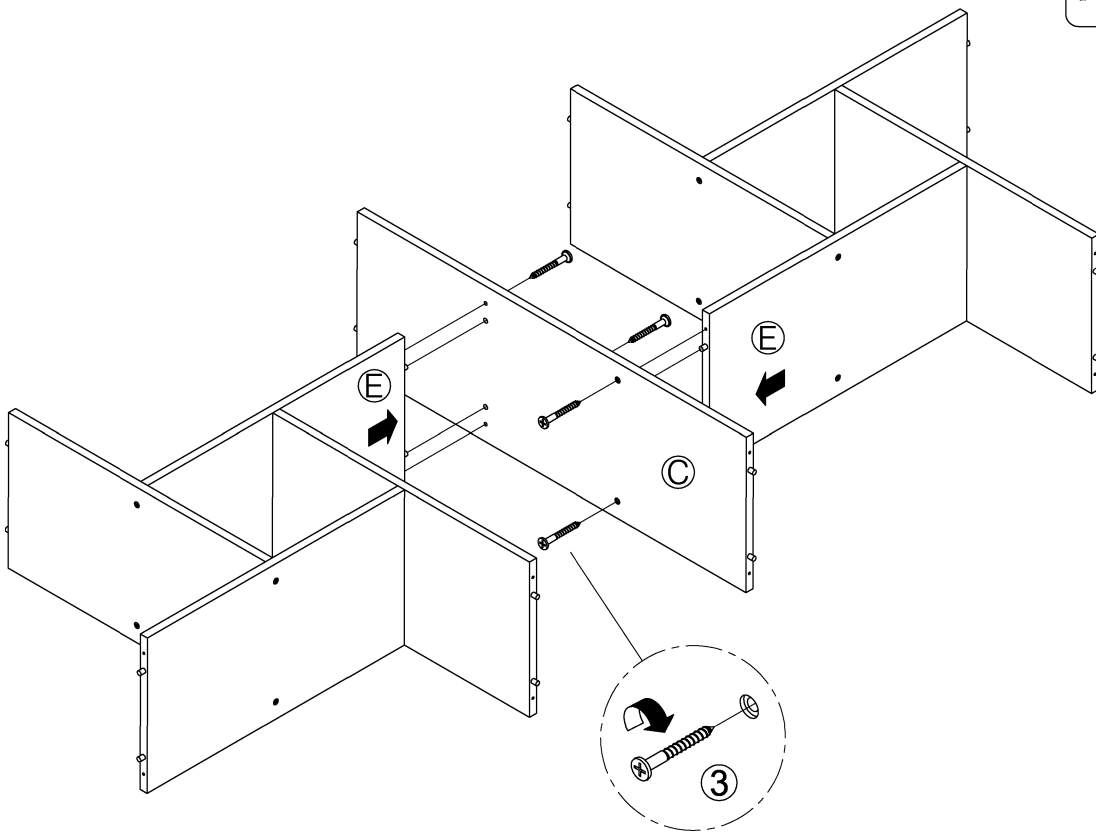
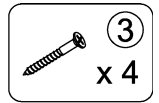


STEP 3 :



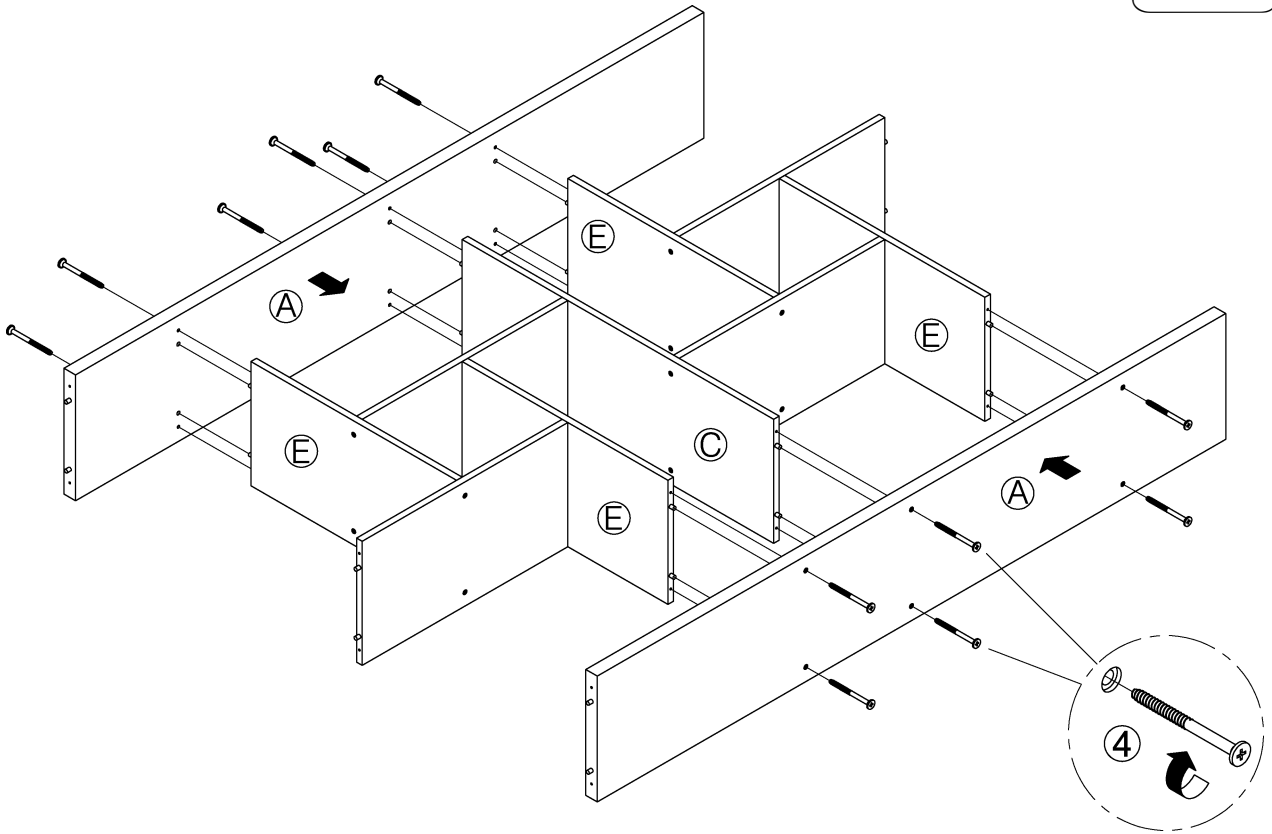
x 2

STEP 4 :



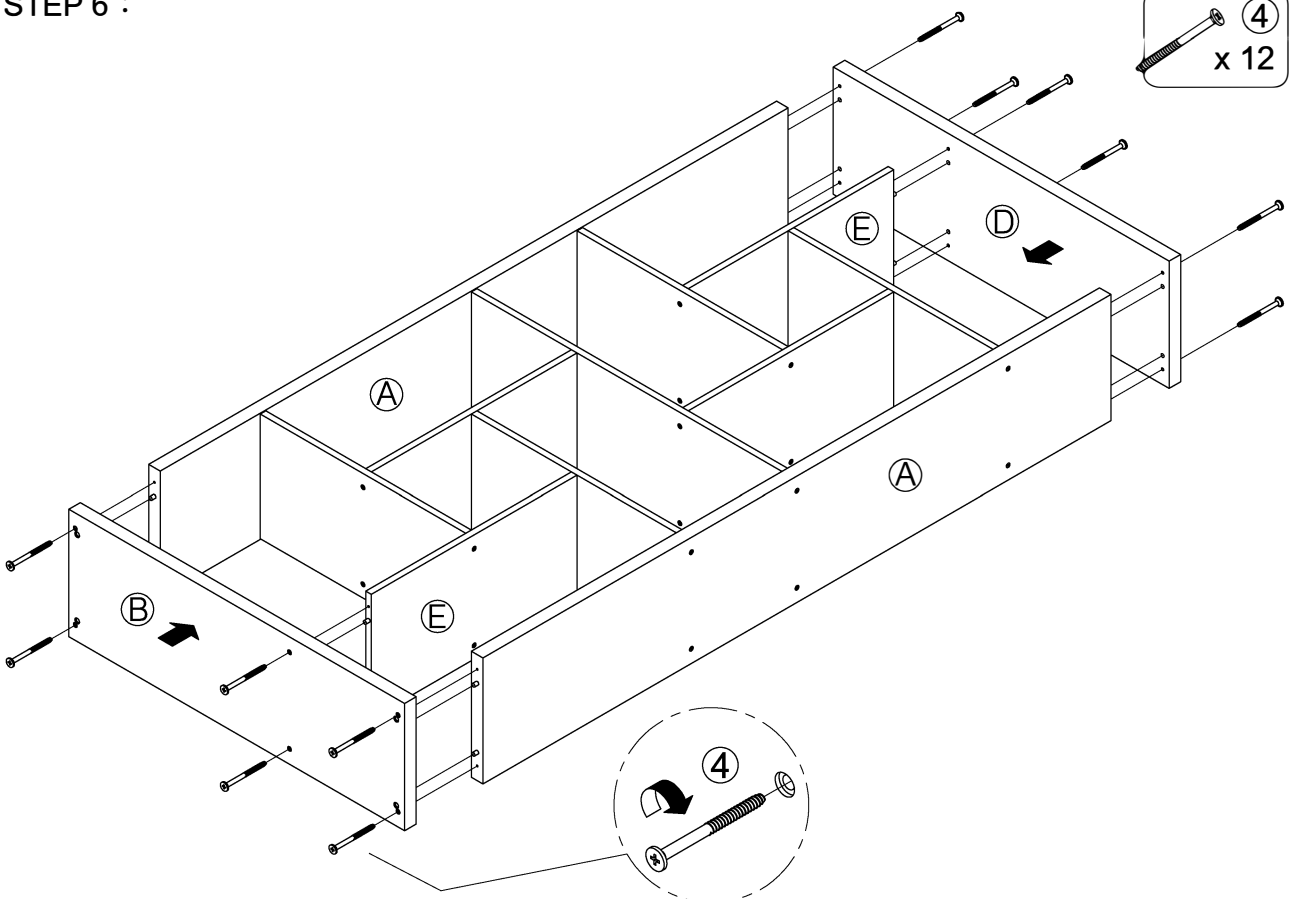
STEP 5 :

④  
x 12

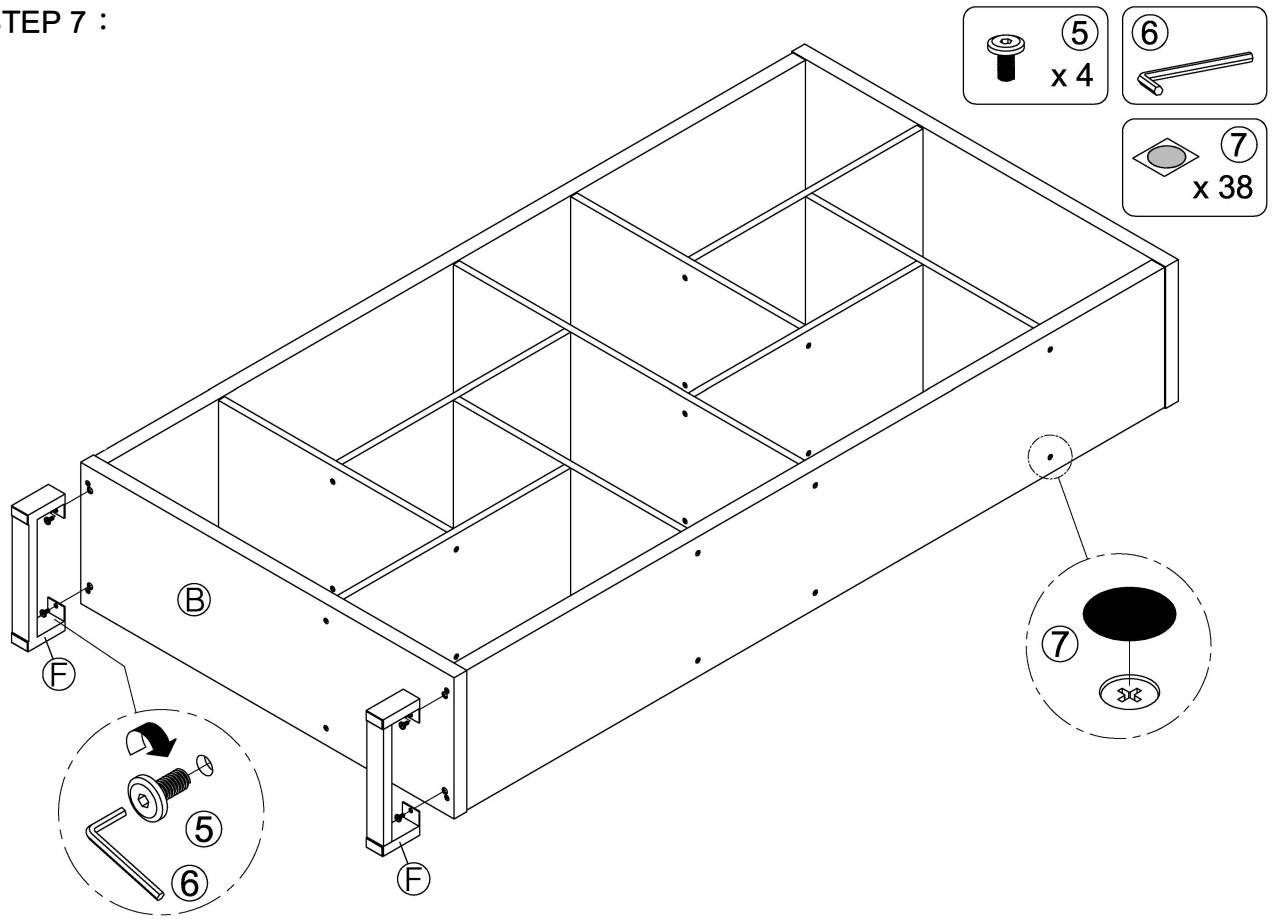


STEP 6 :

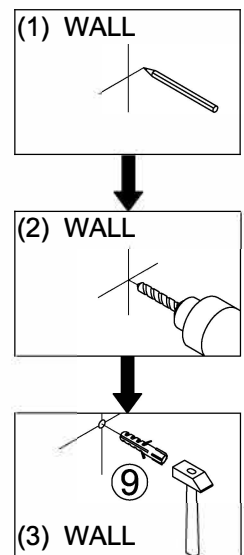
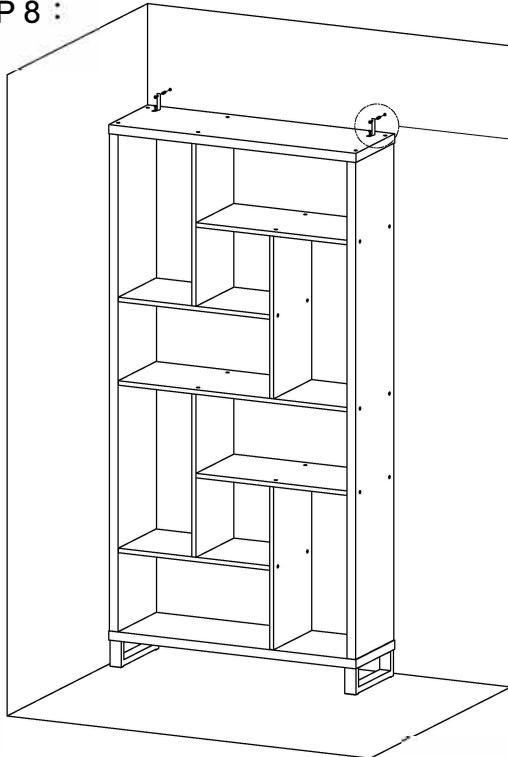
④  
x 12



STEP 7 :



STEP 8 :



**FURNITURE TIPPING RESTRAINT**

**WARNING**

**Injury may result from tipping furniture**

This restraint is not a substitute for proper adult supervision.

This restraint may provide protection against tipping furniture.

Do not allow children to climb on furniture.

Failure to detach this restraint before moving furniture may result in injury and damage

