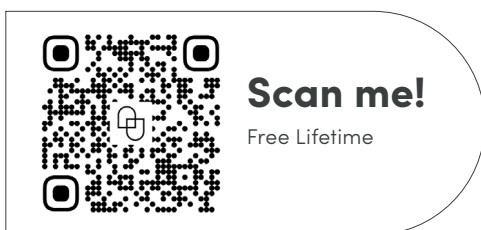
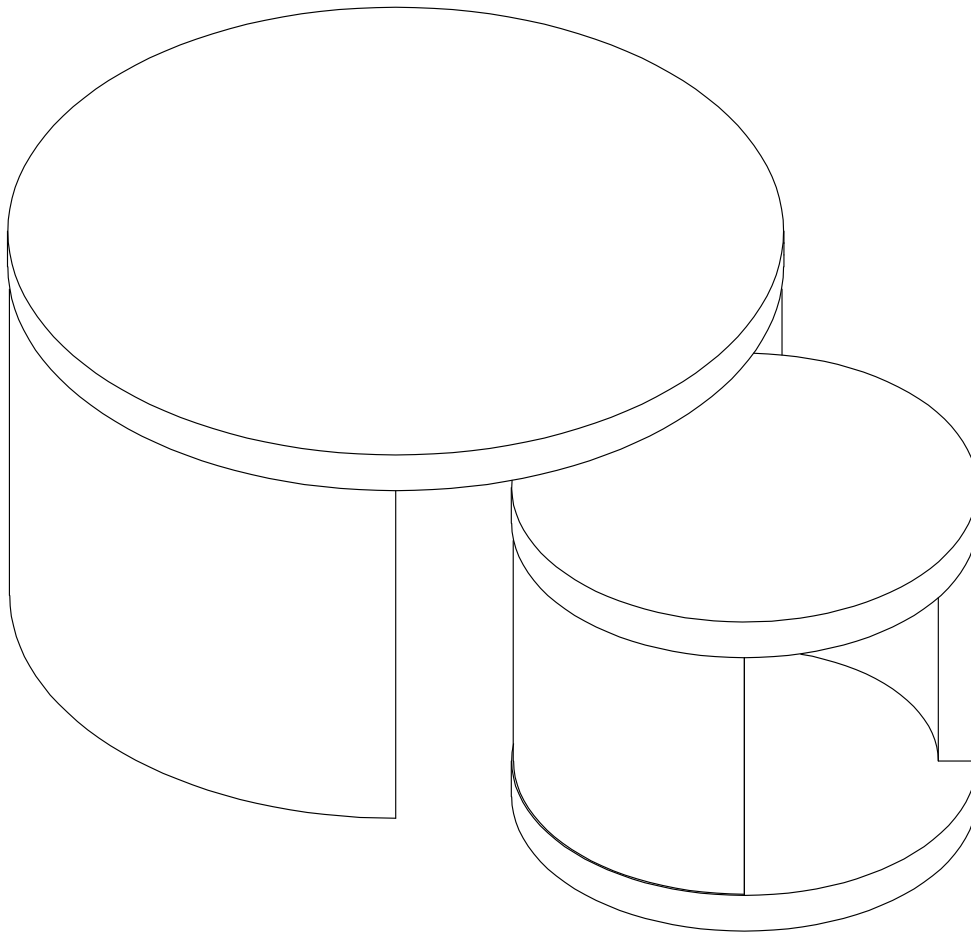


Let's build the

Uchu Coffee Table

SKU 36100



nathan james

25-0113-VN

Ok, let's get rolling

This should be easy, just follow our instructions and you will be back to Netflix in no time.

Estimated time for assembly



20:00

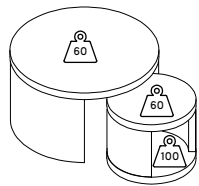
What you need

- Some of your favourite bubbly or your preferred relaxant
- Use the packaging carton as a working surface to prevent product damage during assembly

Do not use a drill



Weight Limitation



Large Tabletop Max. Capacity: 60 lbs.
Small Tabletop Max. Capacity: 60 lbs.
Small Table-Bottom Max. Capacity: 100 lbs.

Toll-free at 1-866-619-1004
Help@nathanjames.com
Nathanjames.com/help

What's included

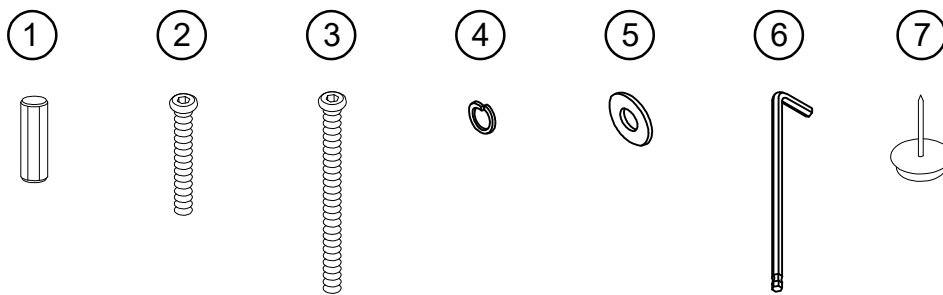
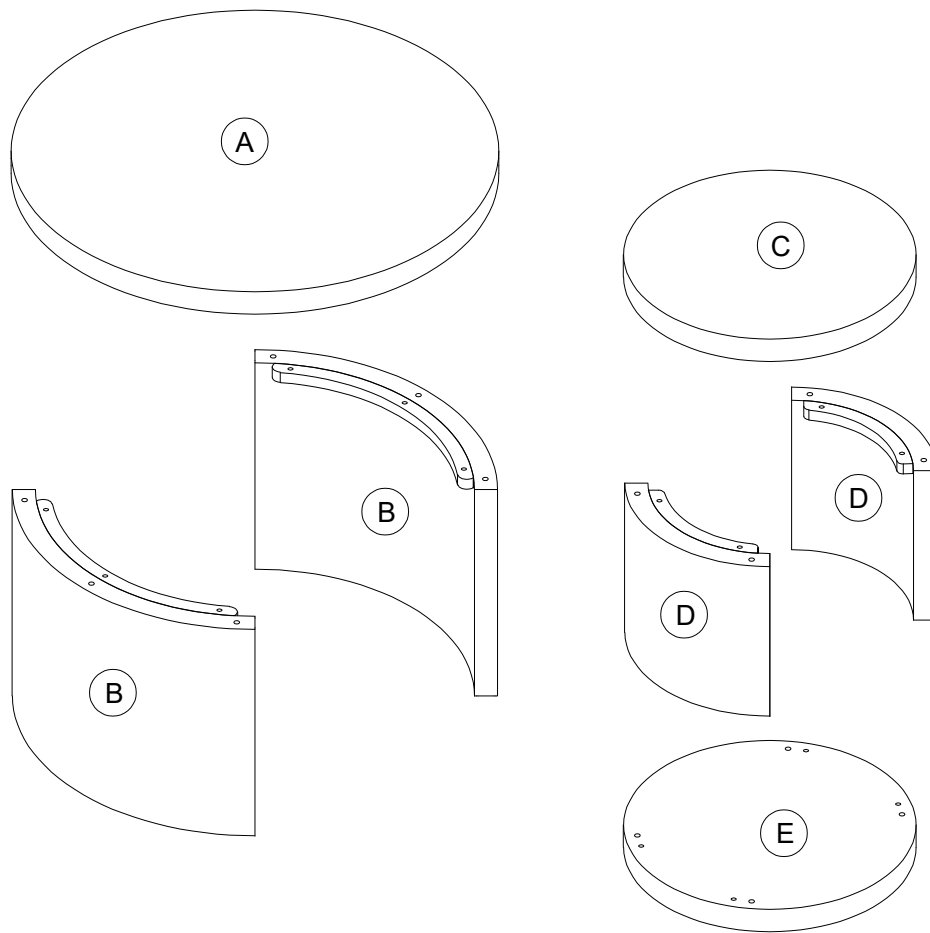
Description	Qty
A Tabletop - Large Table	1
B Legs - Large Table	2
C Tabletop - Small Table	1
D Legs - Small Table	2
E Bottom - Small Table	1
1 Ø10 x 30mm Wooden Dowel (Extra 2pcs)	16
2 Ø1/4" x 35mm Hex Button Head Bolt	10
3 Ø1/4" x 60mm Hex Button Head Bolt	4
4 Ø1/4" x 10mm Spring Washer	14
5 Ø1/4" x 13mm Flat Washer	14
6 Allen Key	1
7 Plastic Nailhead Feet (extra)	4

Scan me!

Free Lifetime
Warranty



The goods



IMPORTANT

1. Do not tighten bolts / screws completely until all bolts / screws are lined up and inserted into holes.
2. Do not over tighten screws and bolts to avoid stripping.
3. Please use hand tools to assemble this product.

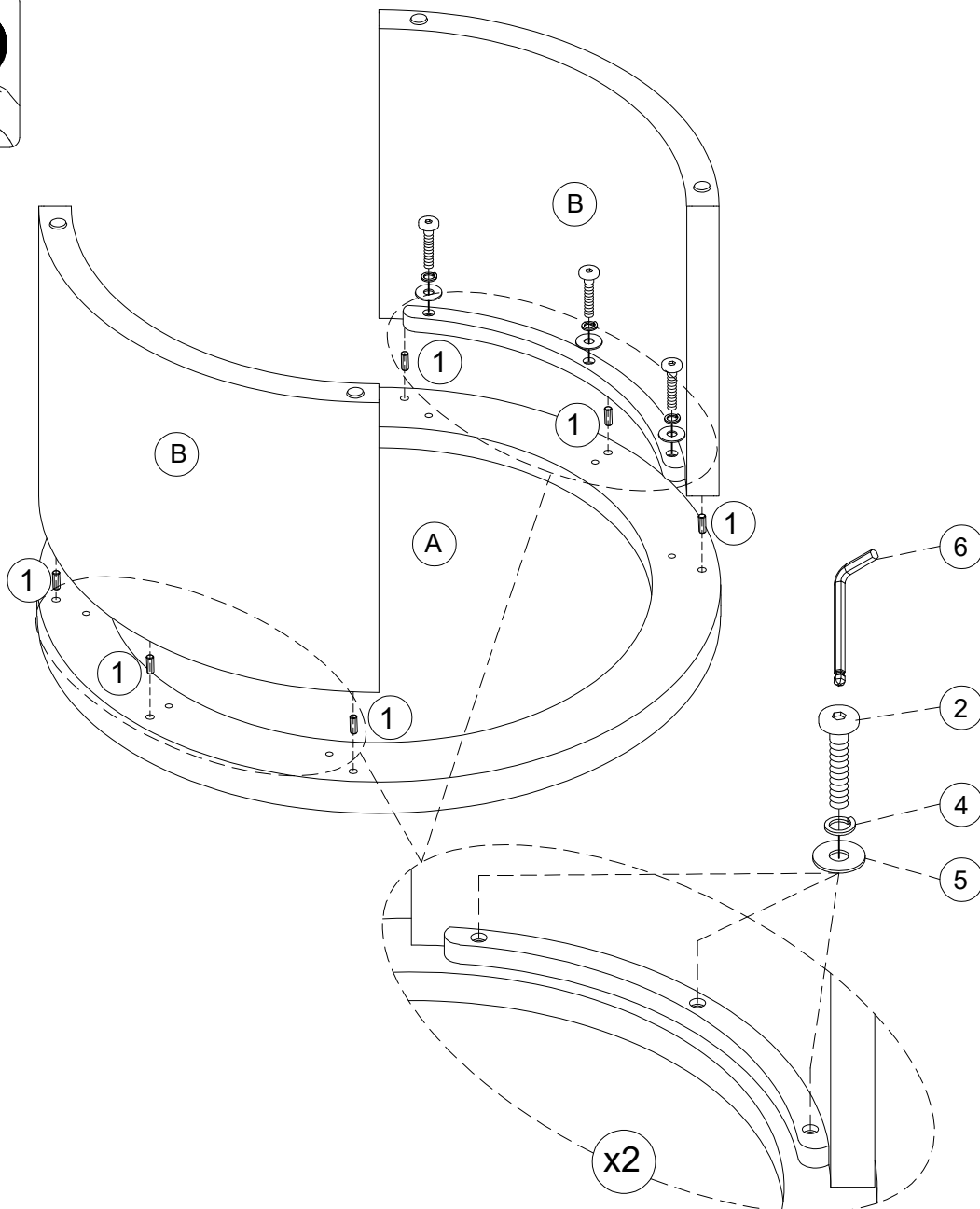
Step 1



Let's get this thing fired up!

Secure on the Tabletop - Large Table (A) and the Legs - Large Table (B) using the Wooden Dowel (1), and Hex Button Head Bolt (2), Spring Washer (4), the Flat Washer (5). We told you this was going to be easy!

Tighten to 75%

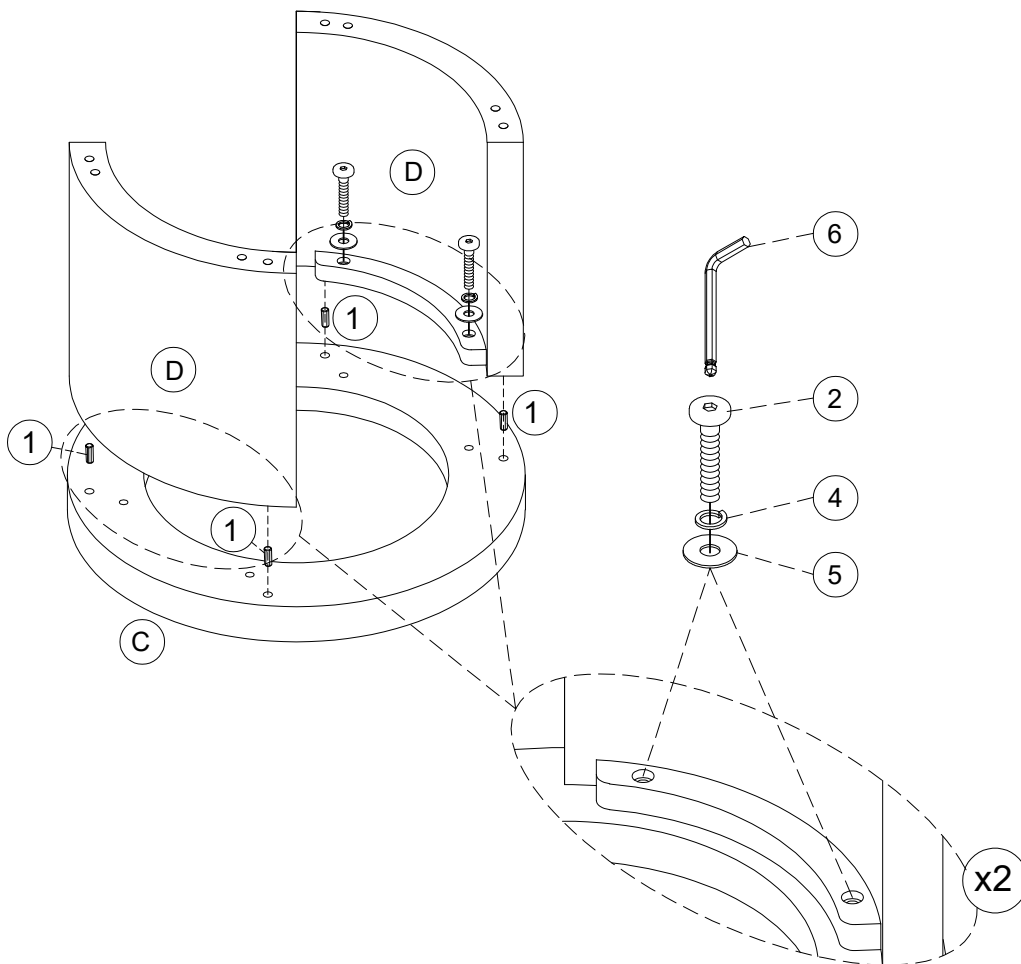


Step 2

- ①  x4 PCS
- ②  x4 PCS
- ④  x4 PCS
- ⑤  x4 PCS

Next, secure on the Tabletop - Small Table (C) and the Legs - Small Table (D) using the Wooden Dowel (1), and the Hex Button Head Bolts (2), the Spring Washers (4) and Flat Washers (5).

Tighten to 75%

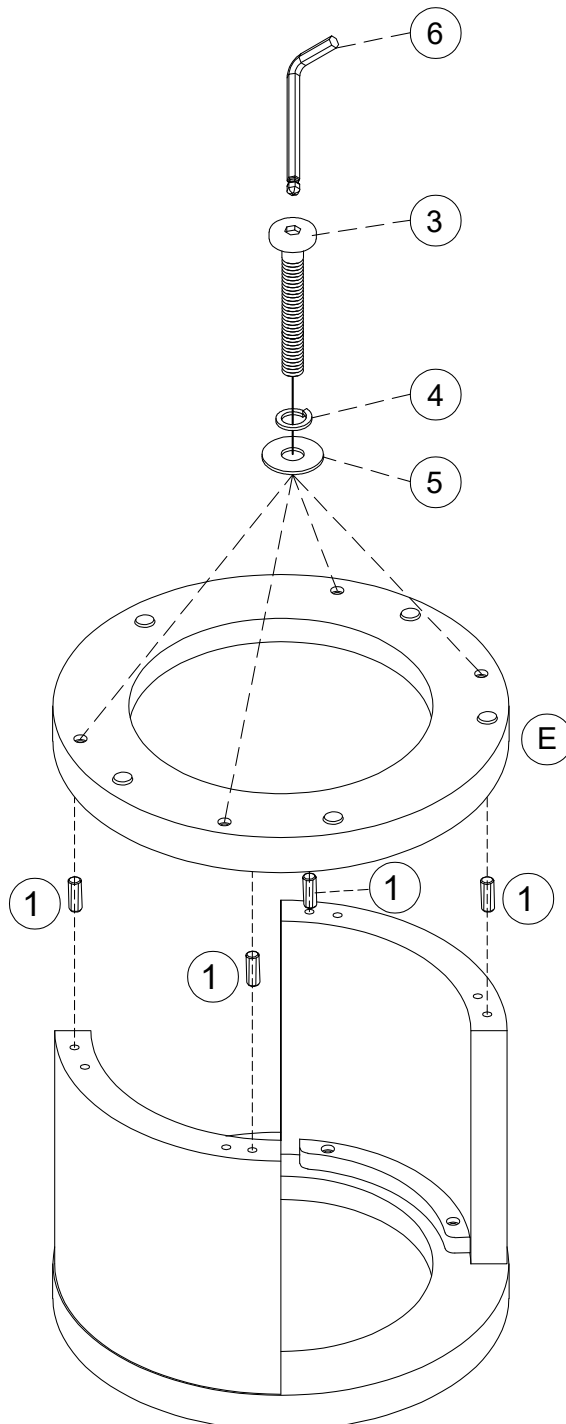
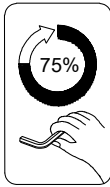


Step 3

- ①  x4 PCS ③  x4 PCS ④  x4 PCS ⑤  x4 PCS

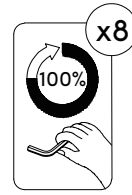
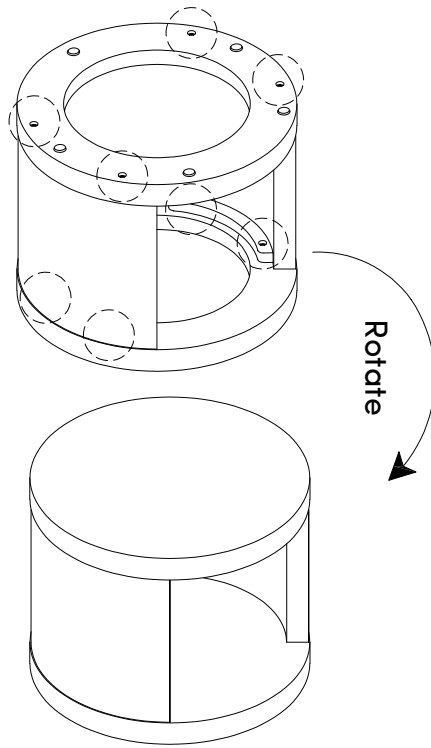
Now, attach the Bottom - Small Table (E) to the pieces you assembled in Step 2 using the Wooden Dowel (1), the Hex Button Head Bolts (3), Spring Washers (4) and Flat Washers (5)

Tighten to 75%



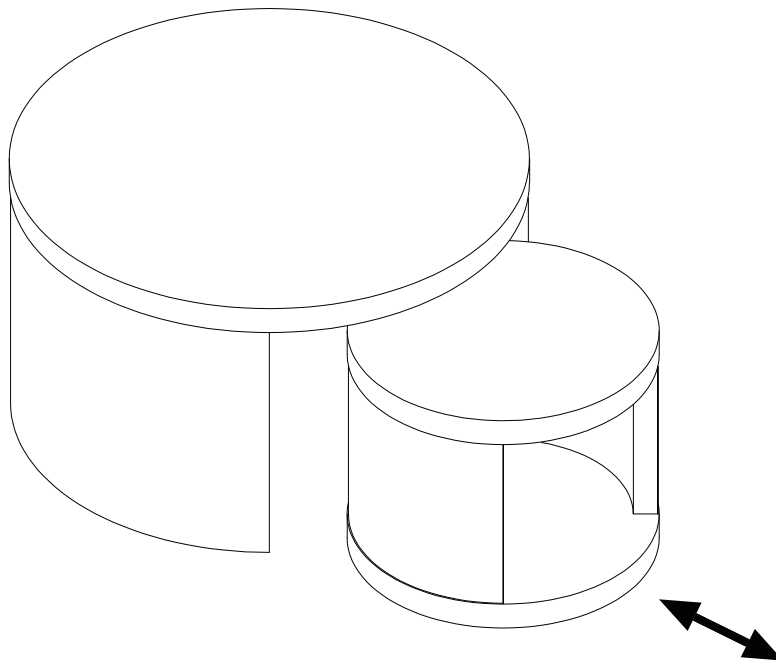
Step 4

Go back and tighten all your screws to 100%—time to make it rock-solid!



Step 5

Congratulations! The work is done. Now sitting back, relaxing, and turning on your favorite Netflix show!



No heartburn, when we handle the return

Give us a call **1-866-619-1004** or shoot us a message at **help@nathanjames.com** we will issue you a free replacement with **zero hassle**.

Our way



Give us a call



Replacement



You

Their way



Re-package item



Schedule pick up



Track package



Replacement



You

We really don't want you to go through the hassle of re-packaging your item and sending it back, because let's be honest...nobody has time for that.

Safety first, fun later

We want your product to last as long as possible, so we recommend that you tighten the screws 2 weeks after assembly and for added safety check the tightness of all screws every 2 months.

For proper care and treatment, please check our website at NathanJames.com/products

Safe use of this product starts with you.

Use this product responsibly with the primary concern for your safety. Follow assembly instructions carefully and inspect product upon receipt and each use.

Nathan James and its parent companies cannot be held legally responsible for any injuries or death resulted from failure to follow instructions or improper use of this product.

Do not modify the structure of this product in any way.

Our products have been tested to meet specific safety measures as they were originally intended to be sold. Any modifications will present the risk of creating significant safety issues which NJ will not be responsible for.

Proper use

- DO NOT** use for commercial purposes
- DO NOT** frolic on table
- DO NOT** use table as foot stool
- DO NOT** leave spilled liquid on table
- DO NOT** use table if damaged
- DO NOT** make temporary repairs
- DO NOT** use outdoors

We are only in business if you're happy

For starters, thanks for being you.

☎ Toll-free at 1-866-619-1004

✉ Help@nathanjames.com

🌐 NathanJames.com/help

We do our best to ensure your furniture arrives without any problems, but occasionally mistakes happen—as humans we are imperfect beings. In the event that a part is damaged or missing, we will be more than happy to provide you with replacement part(s) for free.

Warranty

This product comes with a lifetime warranty from the date of purchase. Please use your phone to scan the QR code to register your product or visit <https://goo.gl/i9dk3q>



Did we do alright? Please spread the love!

If you are happy with your product, tell your friends and family about us or even better leave us a review online. Spreading the word gives us the opportunity to make more people happy and keep our prices low for your next purchase.

Brooklyn Burden

Founder, Nathan James