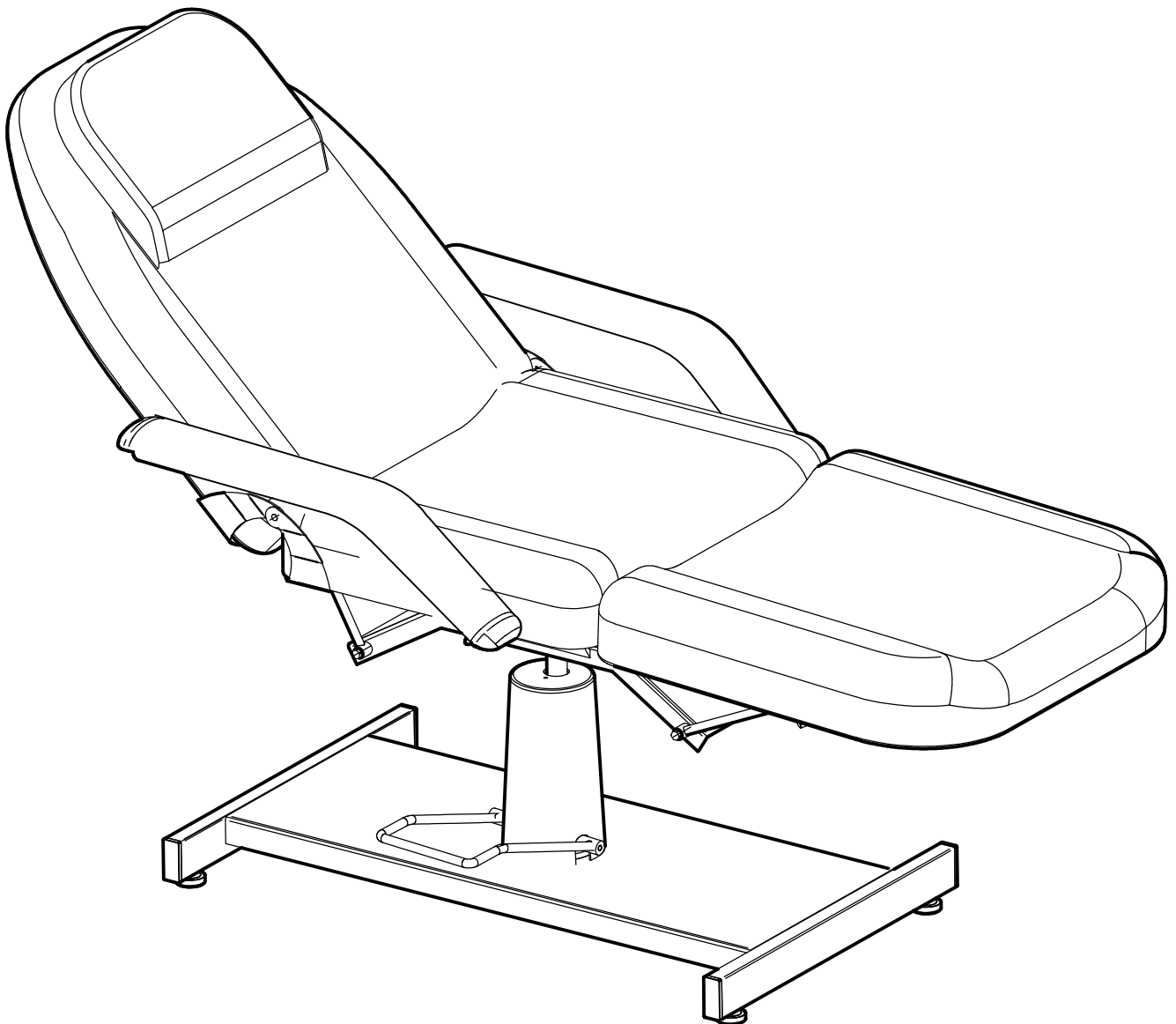


Omy *Salon*

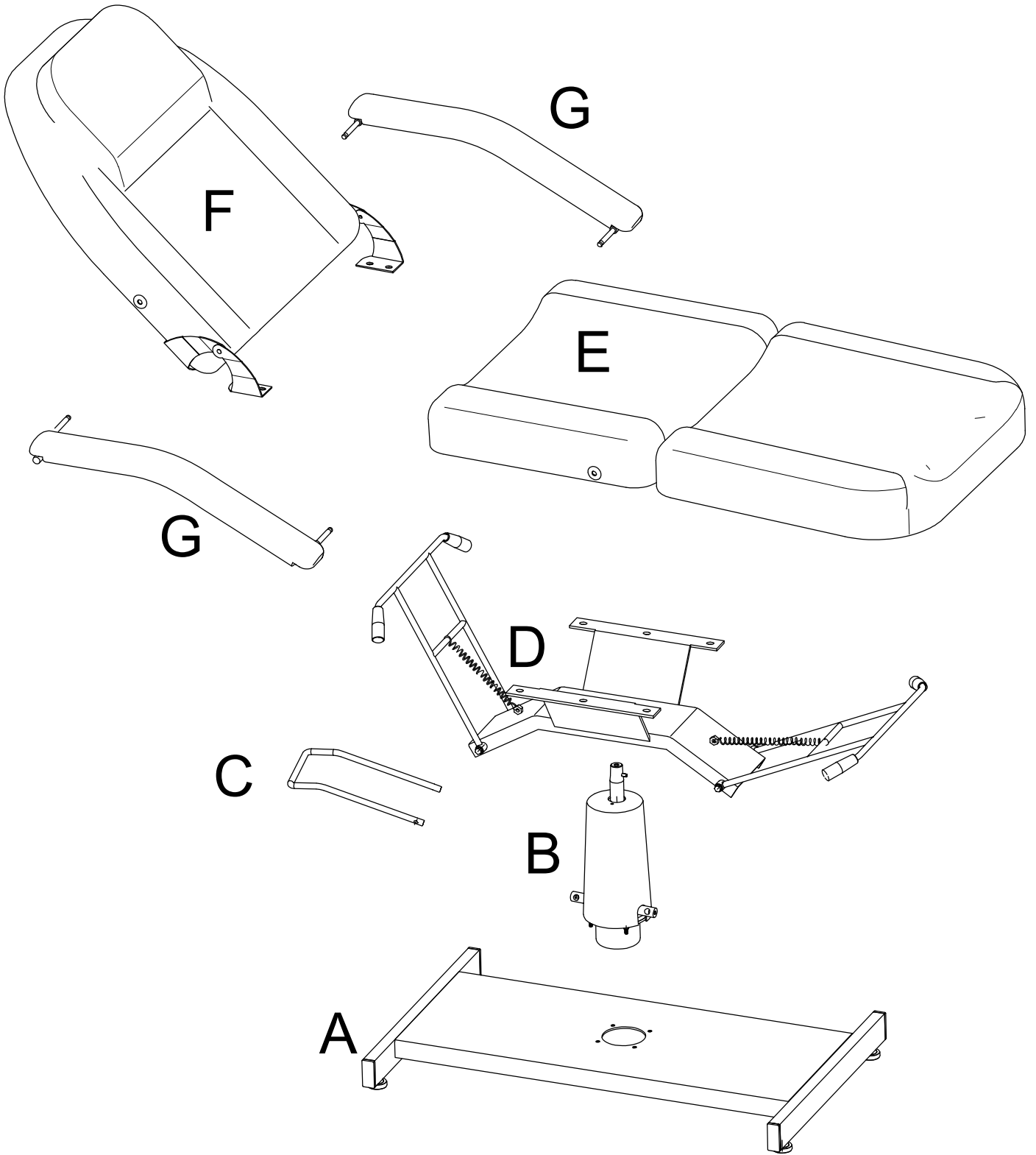
# SALON BEAUTY BED

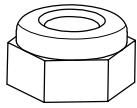
Model:SBWP-B



Visit our website: [www.omysalon.com](http://www.omysalon.com)

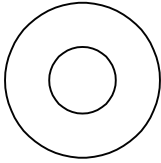
For missing parts or questions: email us at [support@omysalon.com](mailto:support@omysalon.com)





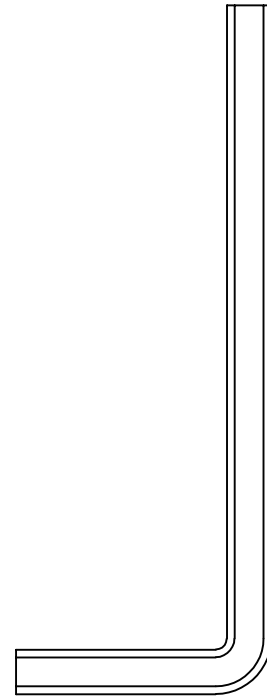
M6 Lock nut

**X4**



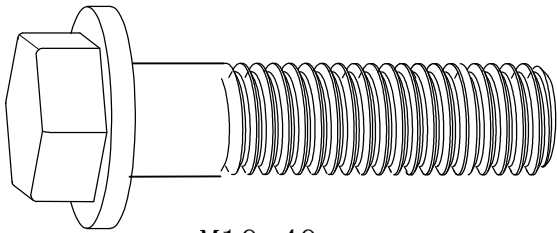
Plastic gasket  $\Phi 14 \times \Phi 6 \times 0.6$

**X4**



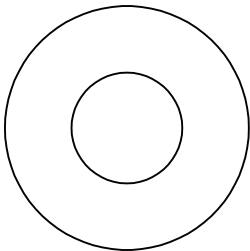
**X1**

M4 wrench



M10x40

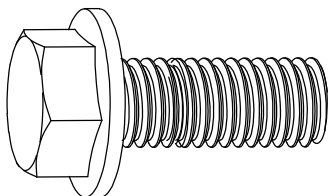
**X1**



Plastic gasket  $\Phi 10 \times \Phi 22 \times 2$

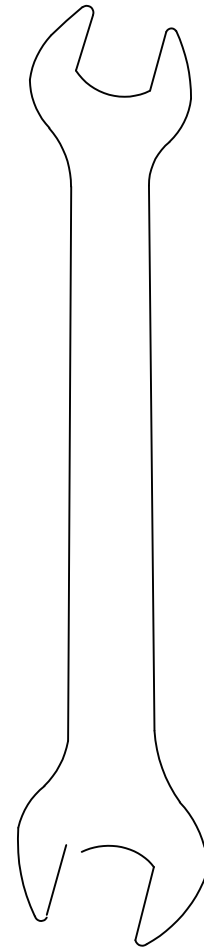
**X2**

**X1**



M8x20

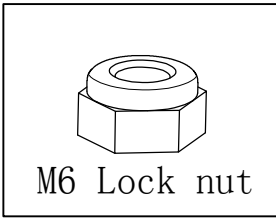
**X10**



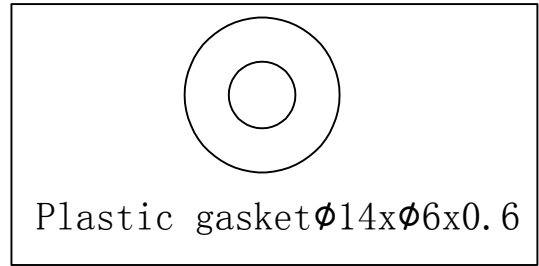
10-12 Open end wrench

To avoid missing parts issues, parts M8x20 are pre-installed, please follow the instructions one step by one to find the pre-installed parts from the should be installed locations.

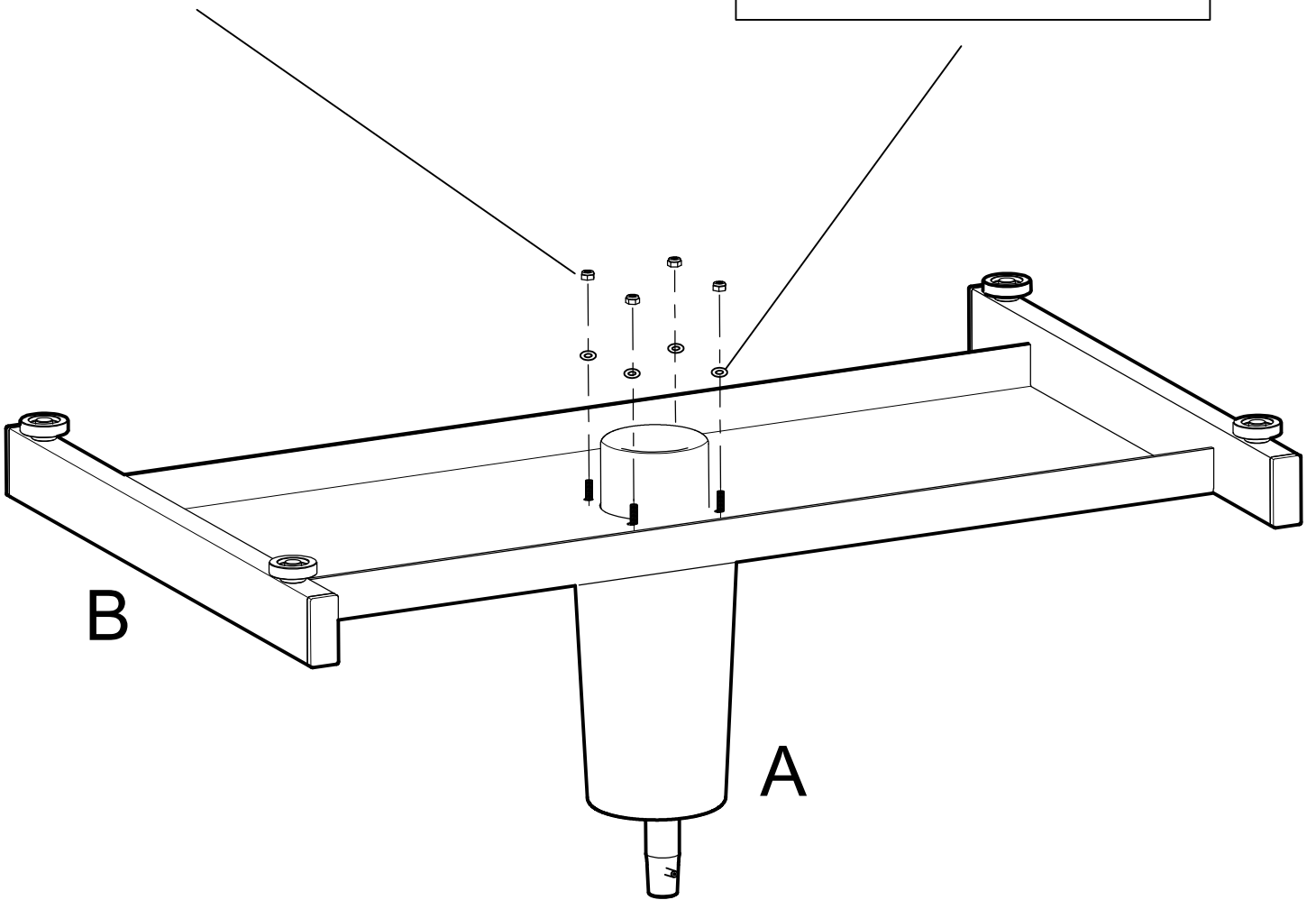
# 1



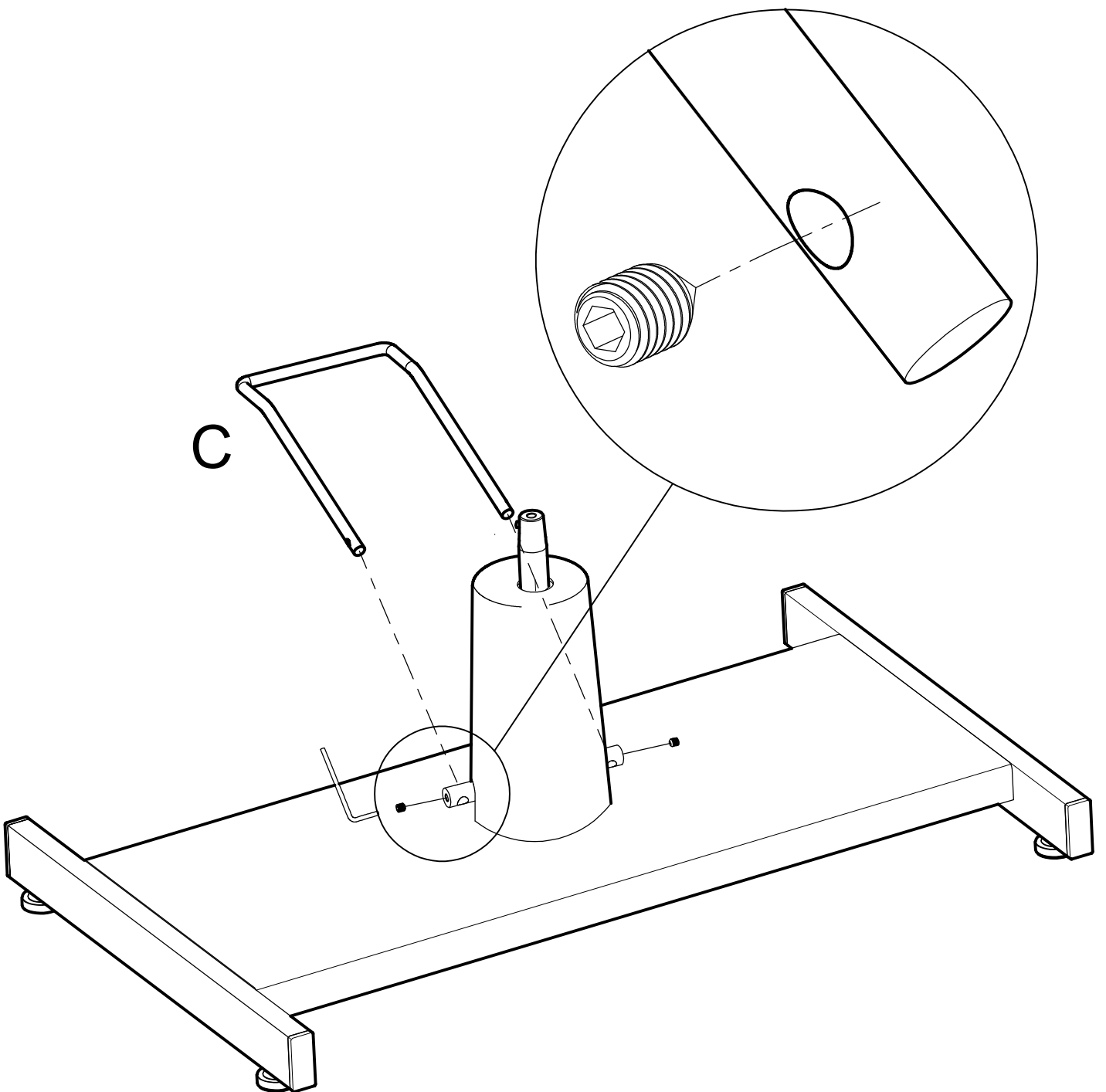
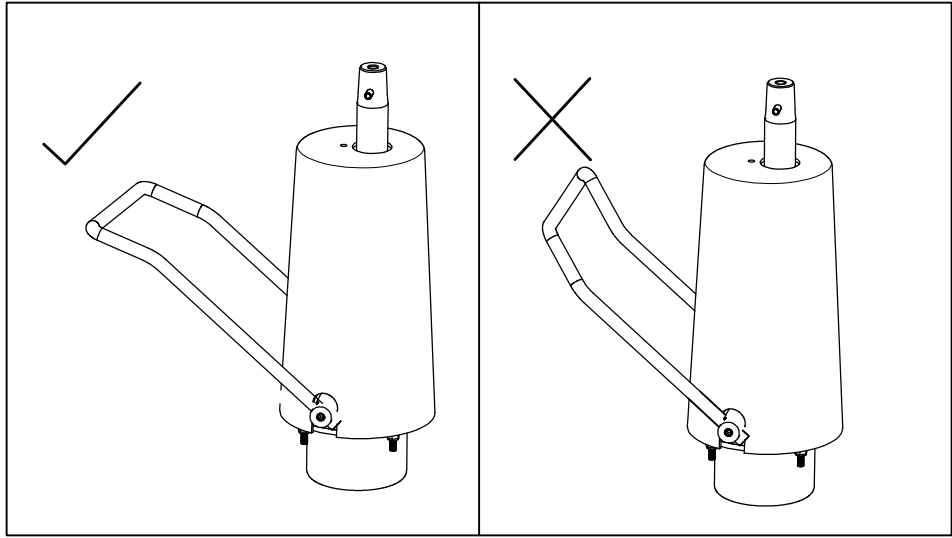
X4



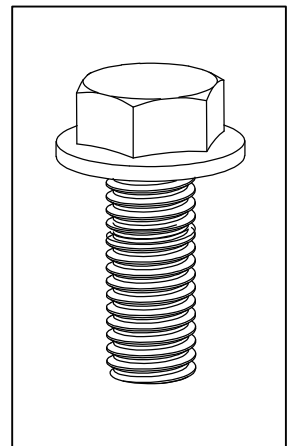
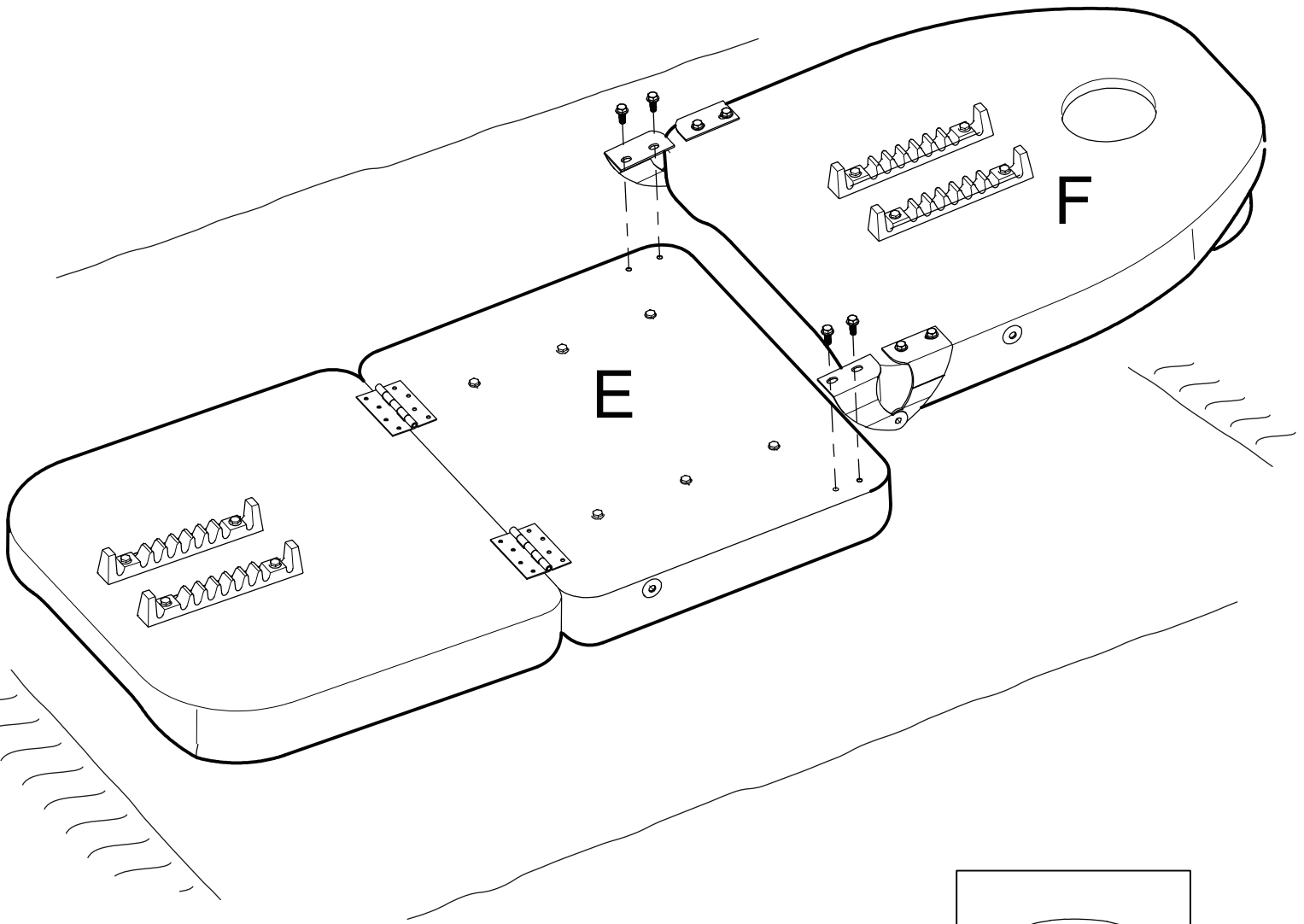
X4



2



3

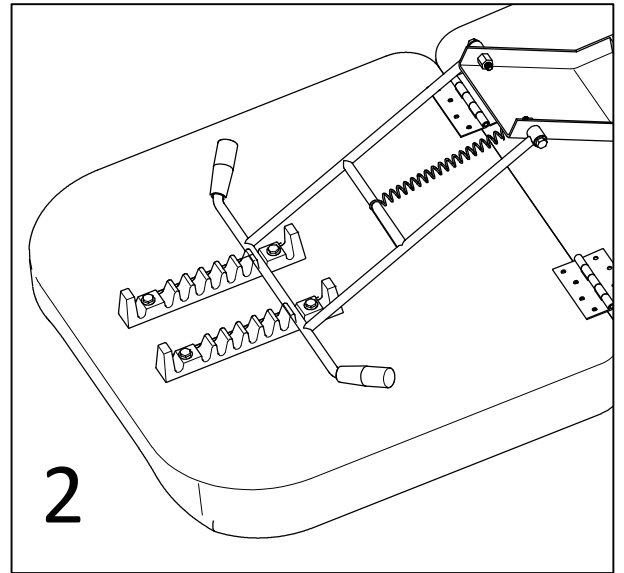
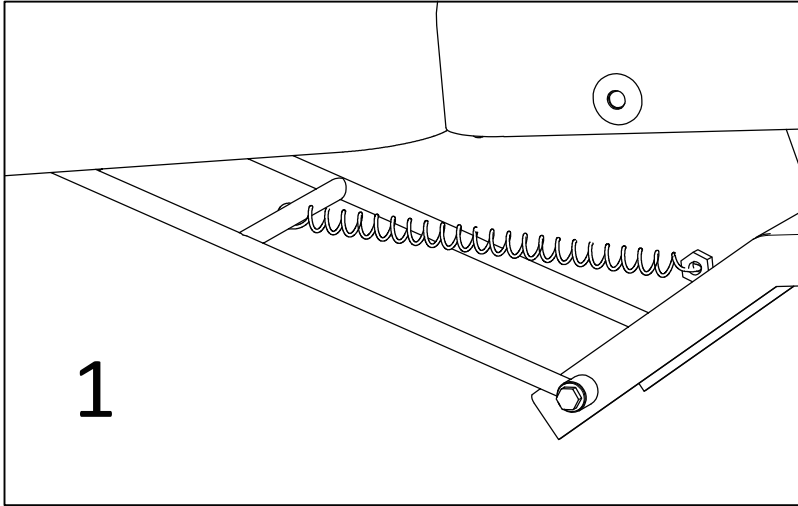


X4

# 4

## Spring for hanging

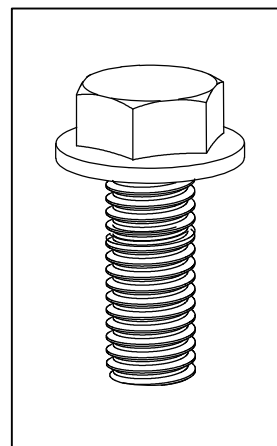
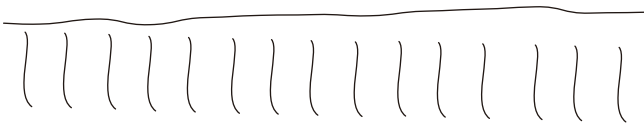
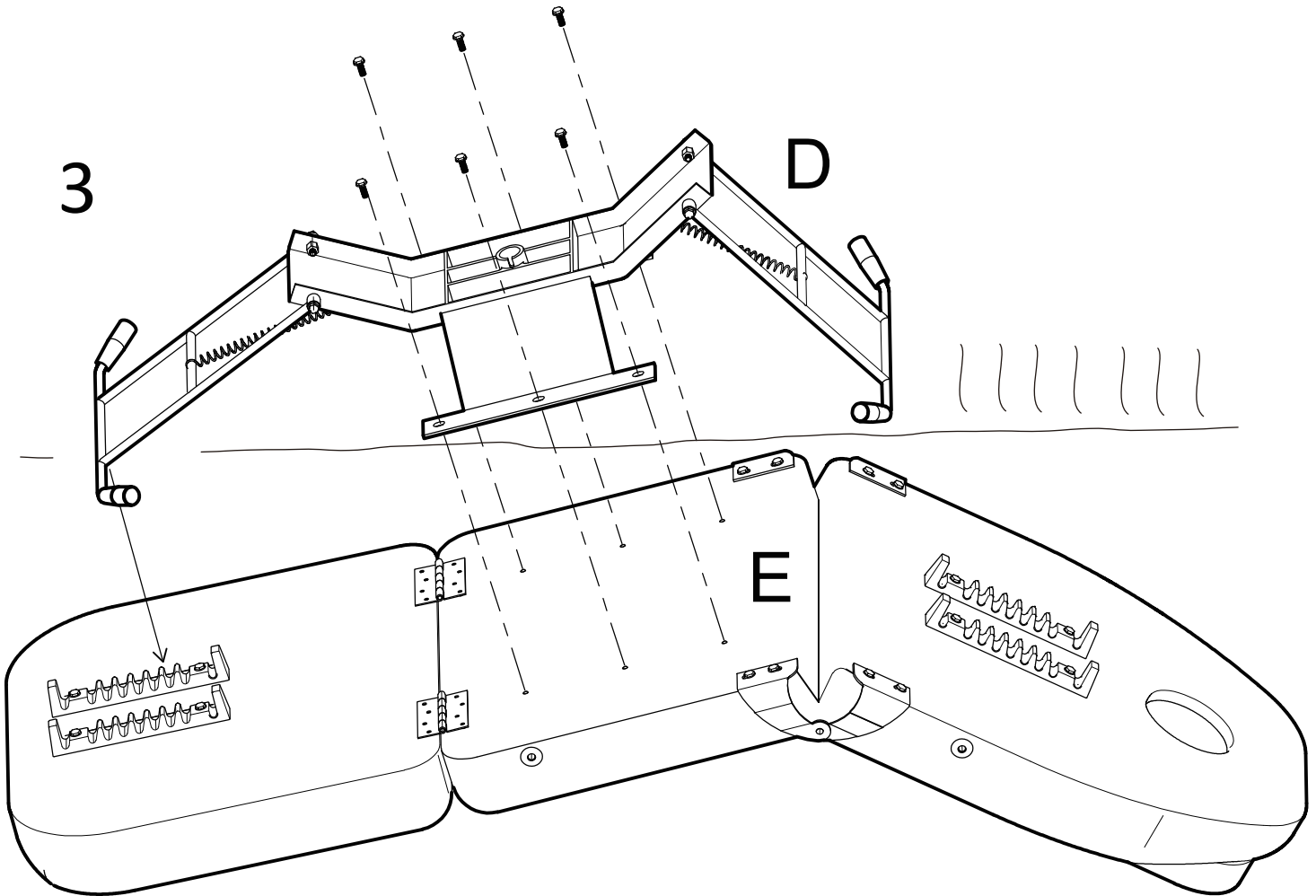
Stuck in the slot



### 3

### D

### E

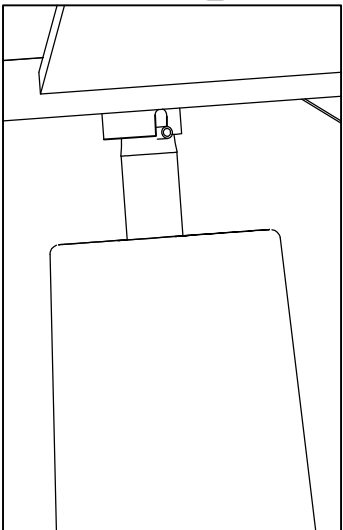
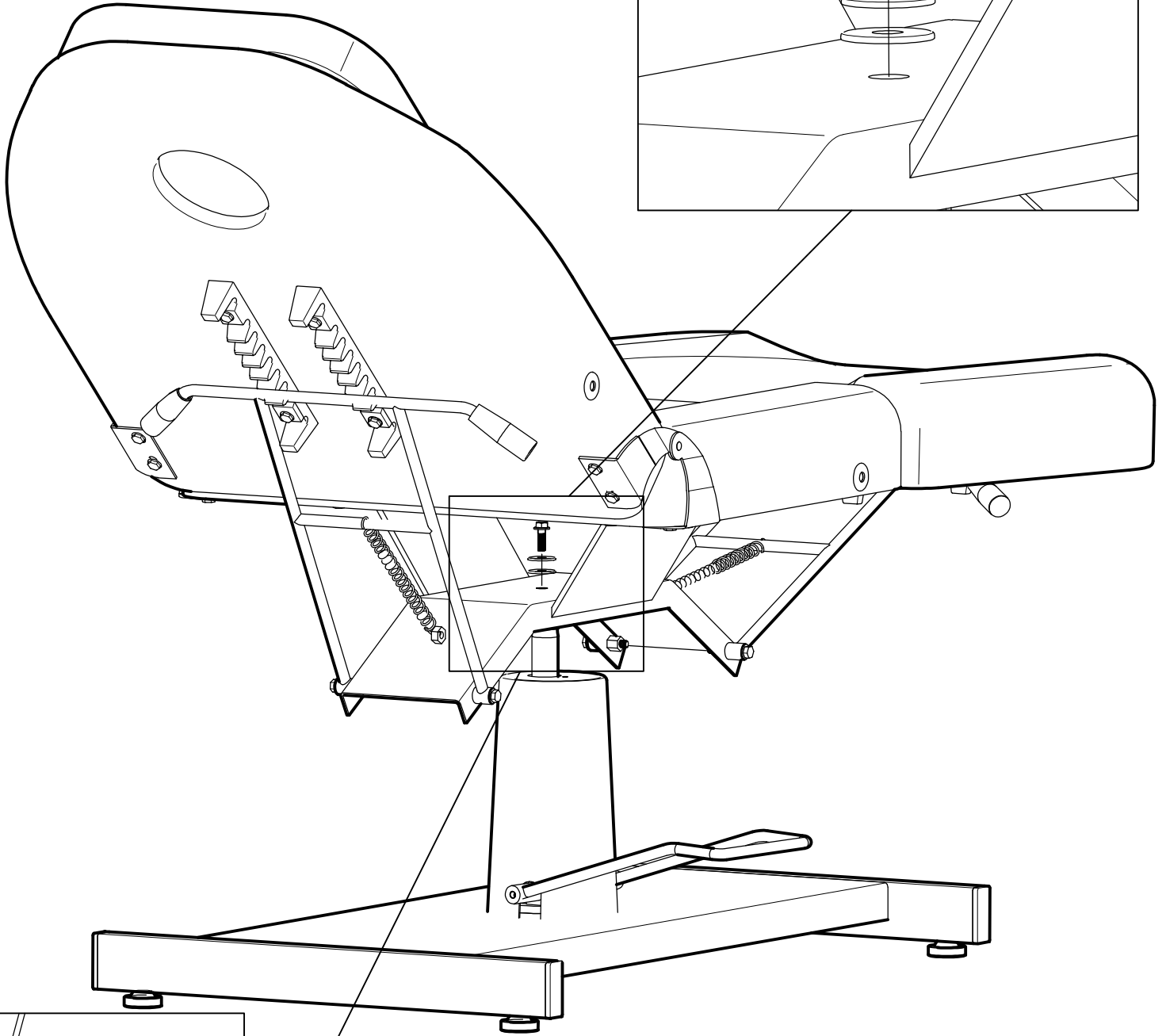
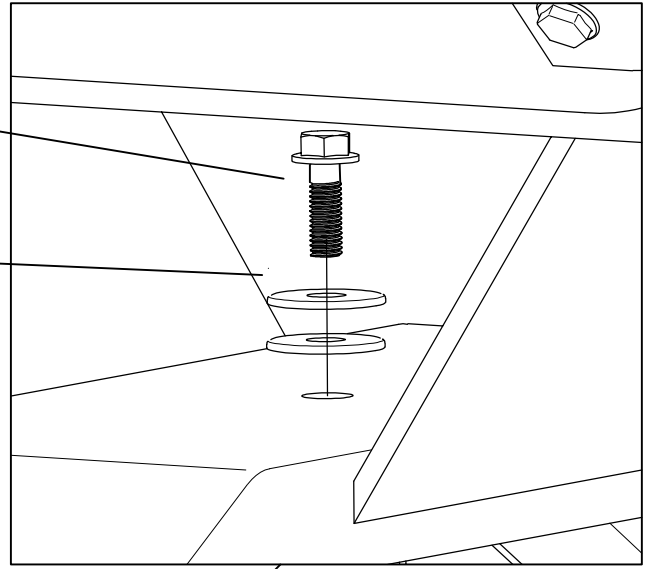


X6

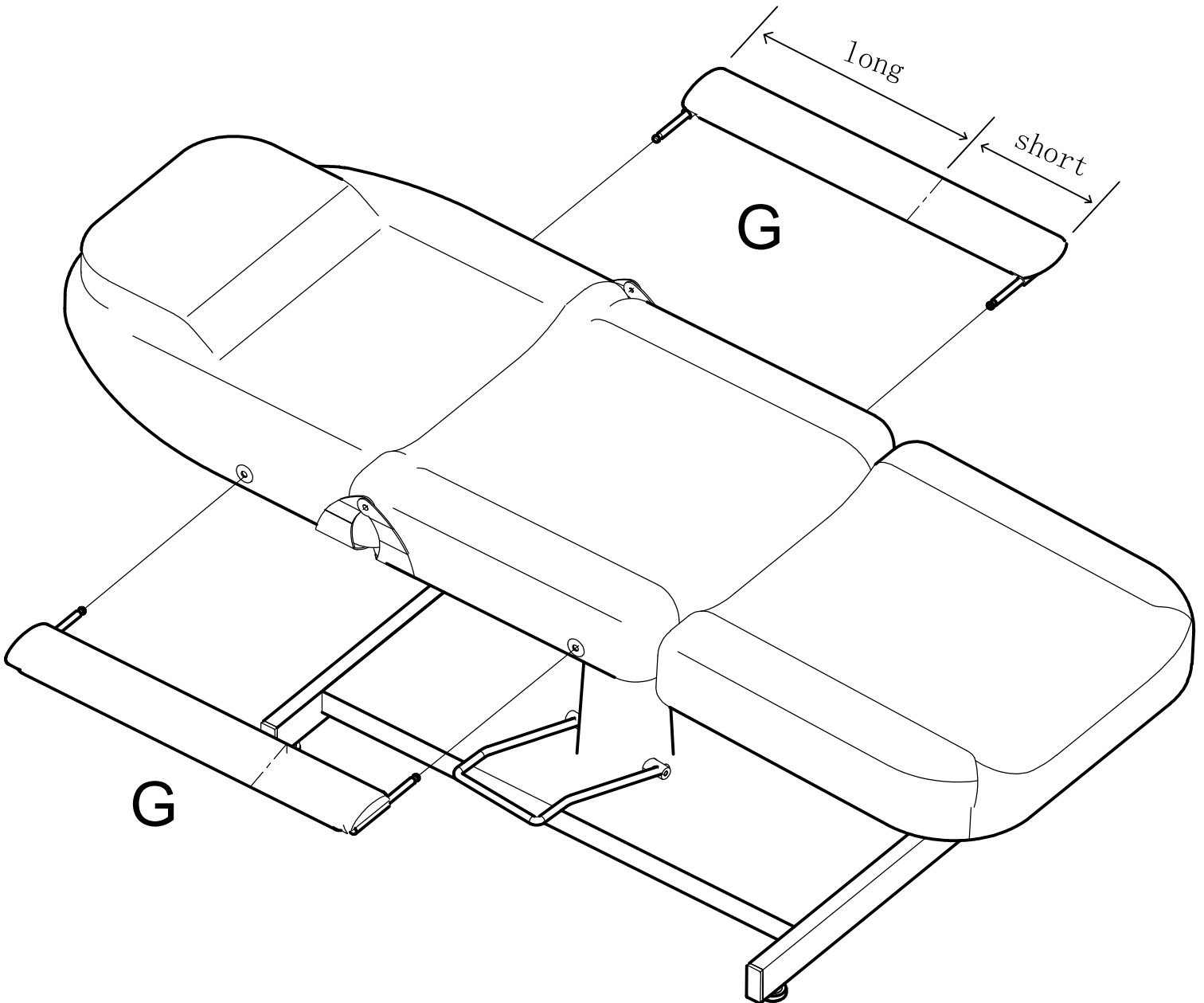
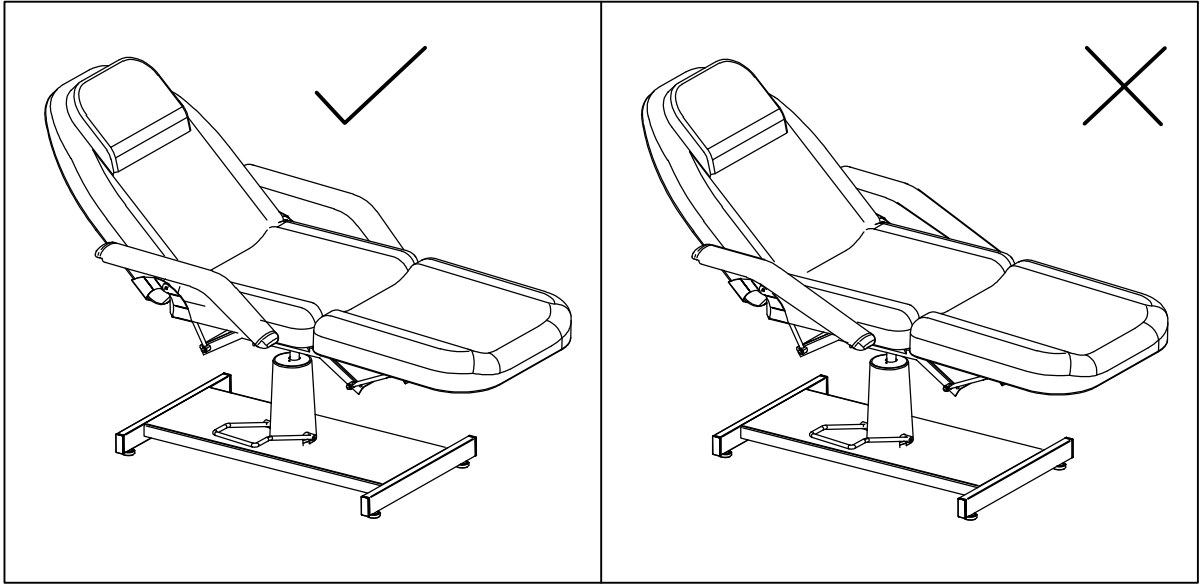
# 5

M10x40

Plastic gasket  $\phi 10 \times \phi 22 \times 2$



6



# 7

