

# *ASSEMBLY INSTRUCTIONS*



*Fine Furniture for every stage of life*

***Dining Table***

REVISION 0: 06/19/2011  
REVISION 1: 09/13/2011  
REVISION 2: 05/05/2020

**PAGE 1 OF 3**

# ASSEMBLY INSTRUCTIONS

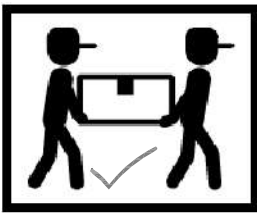
## ASSEMBLY TIPS :

1. Remove hardware from box and sort by size.
2. Please check to see that all hardware and parts are present prior to start of assembly.
3. Please follow attached instructions in the same sequence as numbered to assure fast & easy assembly.



### WARNING !

1. Don't attempt to repair or modify parts that are broken or defective. Please contact the store immediately.
2. This product is for home use only and not intended for commercial establishments.



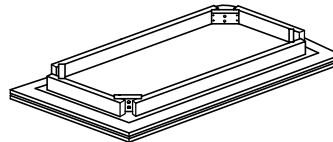
ASSEMBLY TIME

10 MINUTES

## PARTS IDENTIFICATION

A

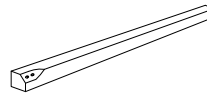
TOP



1PC

B

LEG

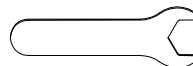


4PCS

## HARDWARE IDENTIFICATION

1

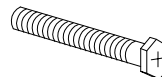
**WRENCH**  
(12.8MM - RBW)



1PC

2

**HEX BOLT**  
(M8 x 60MM - SILVER)



8PCS

3

**LOCK WASHER**  
(5/16" - RBW)



8PCS

4

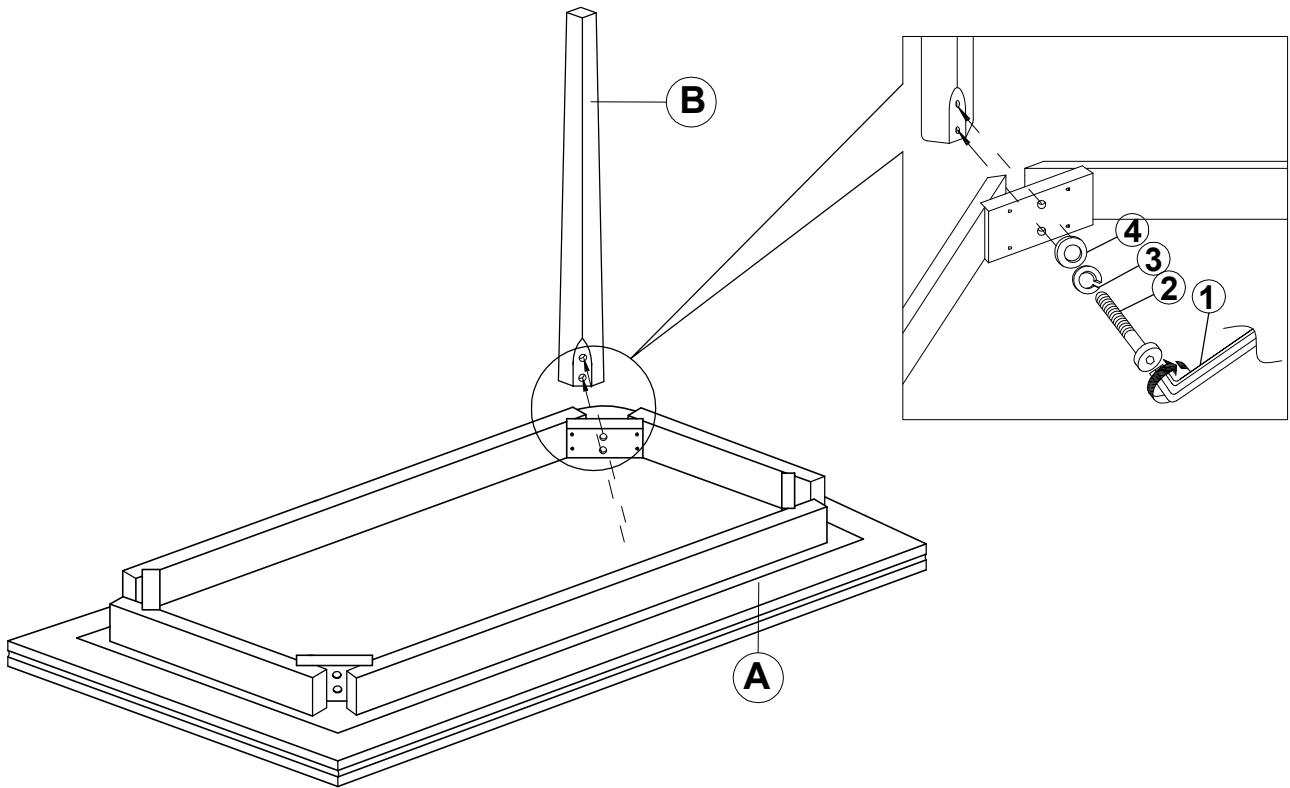
**FLAT WASHER**  
(5/16" - RBW)



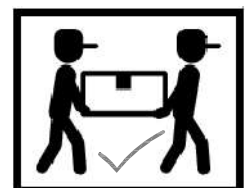
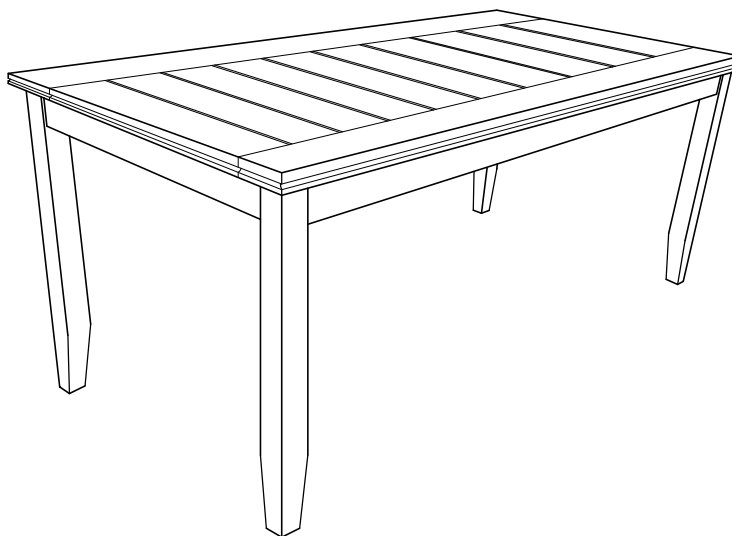
8PCS

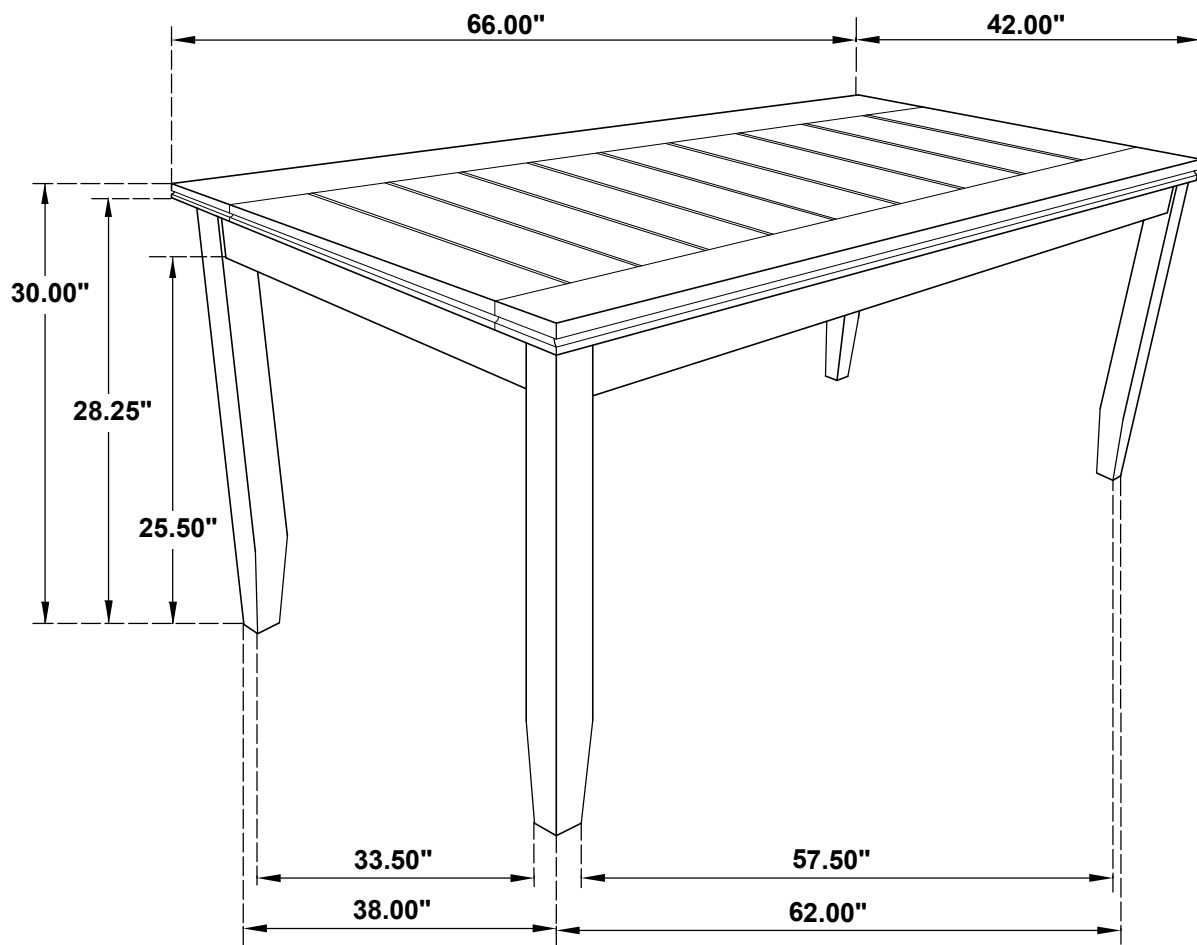
# ASSEMBLY INSTRUCTIONS

## STEP 1



## STEP 2 COMPLETE





**Note: Dimension tolerance  $\pm 5\%$**

# ASSEMBLY INSTRUCTIONS



*Fine Furniture for every stage of life*

## *Dining Side Chair*

# ASSEMBLY INSTRUCTIONS

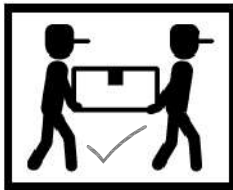
## ASSEMBLY TIPS :

1. Remove hardware from box and sort by size.
2. Please check to see that all hardware and parts are present prior to start of assembly.
3. Please follow attached instructions in the same sequence as numbered to assure fast & easy assembly.



### WARNING !

1. Don't attempt to repair or modify parts that are broken or defective. Please contact the store immediately.
2. This product is for home use only and not intended for commercial establishments.



ASSEMBLY TIME

10 MINUTES

## PARTS IDENTIFICATION

A	BACK FRAME		1PC
B	FRONT LEG FRAME		1PC
C	SIDE RAIL		2PCS
D	SEAT CUSHION		1PC
E1	RIGHT STRETCHER		1PC
F1	LEFT STRETCHER		1PC

## HARDWARE IDENTIFICATION

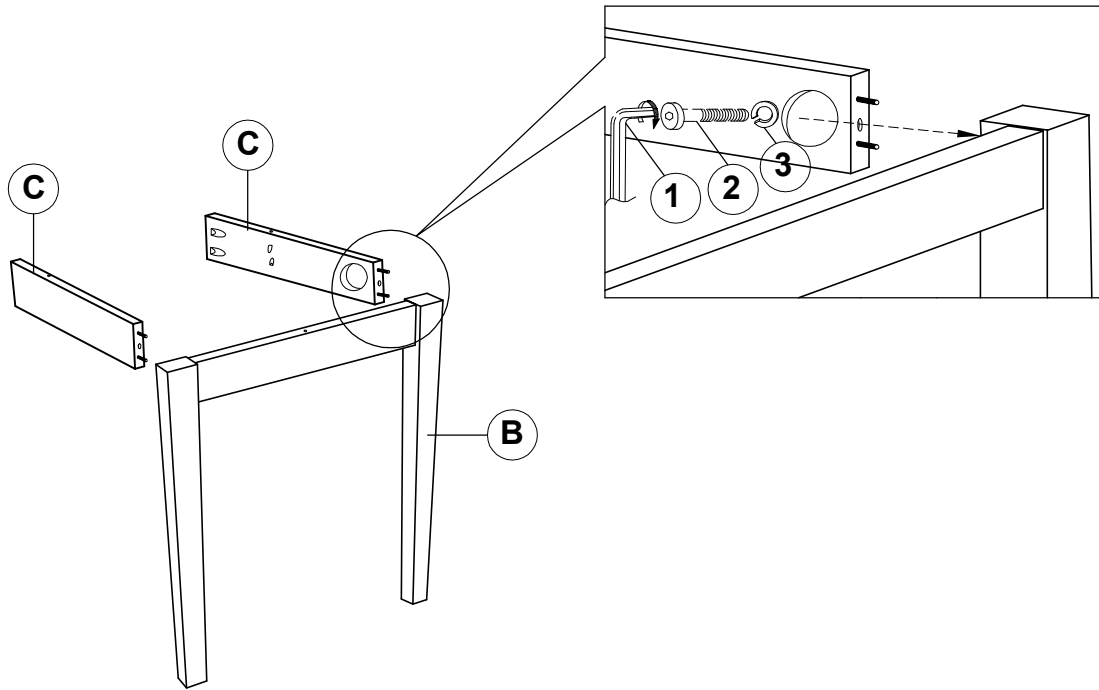
1	ALLEN WRENCH (M4 x 110mm - BLK)		1PC
2	BOLT (M6 x 50mm - RBW)		6PCS
3	LOCK WASHER (1/4" - BLK)		6PCS
4	SHORT PAN HEAD SCREW (#8 x 1" - BLK)		4PCS
5	LONG PAN HEAD SCREW (#8 x 1 1/2" - BLK)		4PCS

### NOTE :

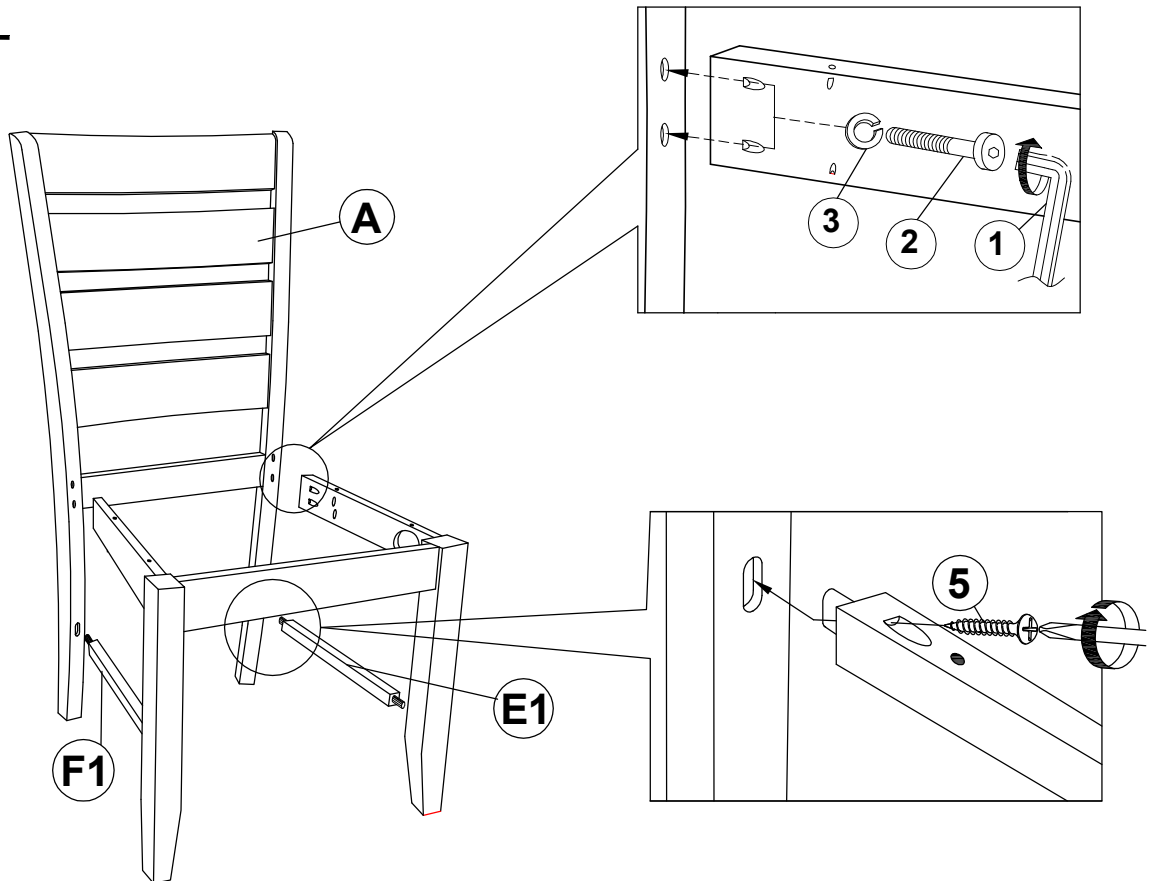
Phillips head screw driver is required in the assembly process. However, manufacturer does not provide this item. Quantities shown are for one chair.

# ASSEMBLY INSTRUCTIONS

## STEP 1

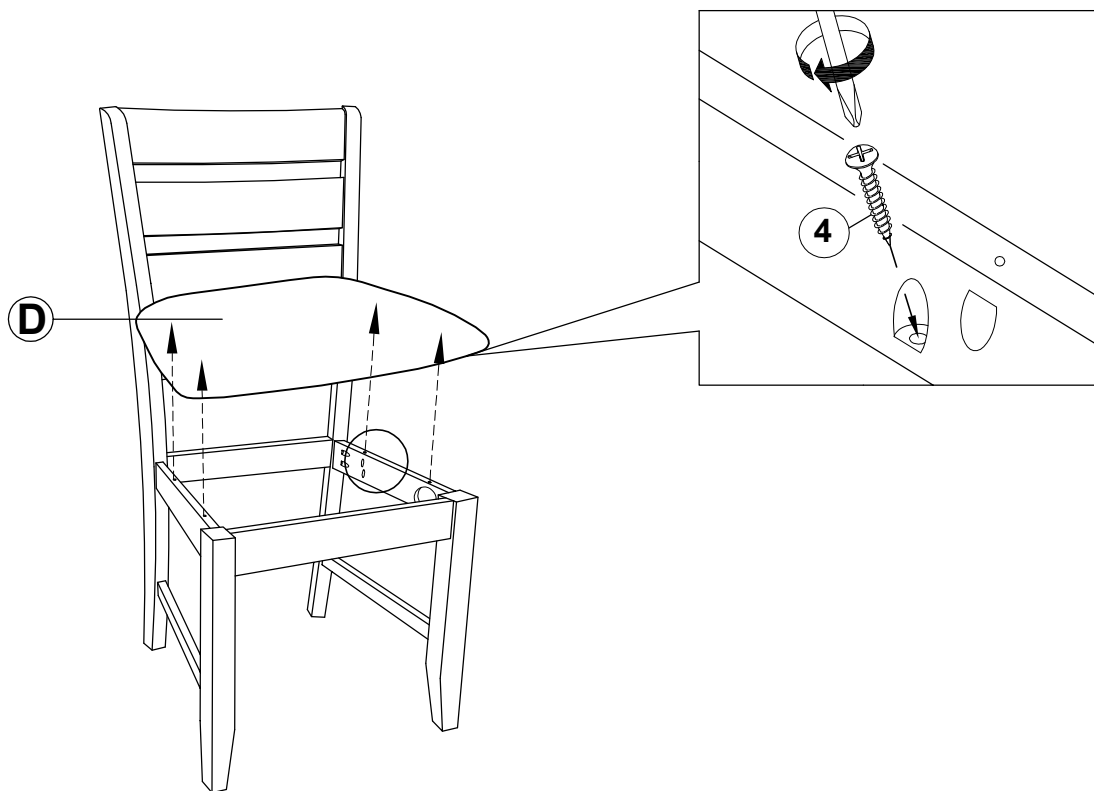


## STEP 2

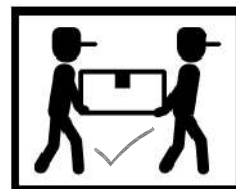
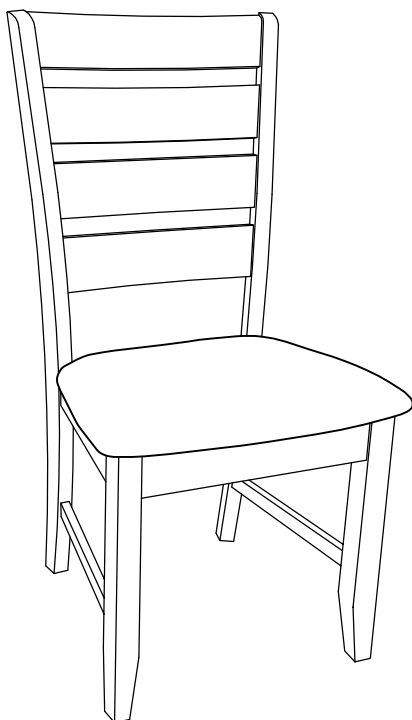


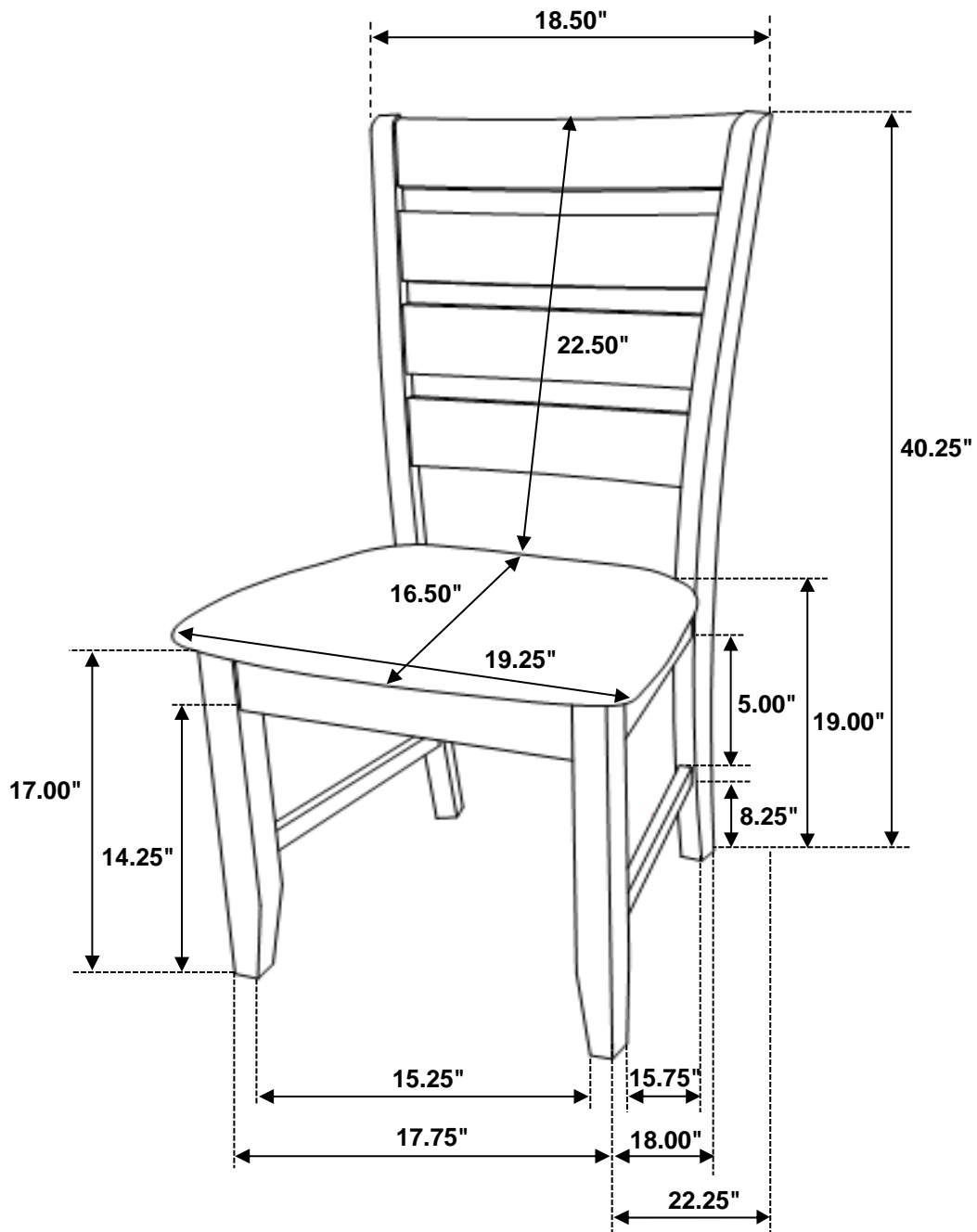
# ASSEMBLY INSTRUCTIONS

## STEP 3



## STEP 4 COMPLETE





**Note: Dimension tolerance  $\pm 5\%$**

# ASSEMBLY INSTRUCTIONS



*Fine Furniture for every stage of life*

**Bench**

REVISION 0: 07/27/2011  
REVISION 1: 09/21/2018  
REVISION 2: 12/13/2020

# ASSEMBLY INSTRUCTIONS

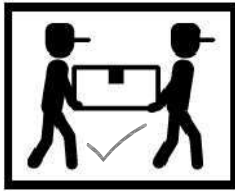
## ASSEMBLY TIPS :

1. Remove hardware from box and sort by size.
2. Please check to see that all hardware and parts are present prior to start of assembly.
3. Please follow attached instructions in the same sequence as numbered to assure fast & easy assembly.



### WARNING !

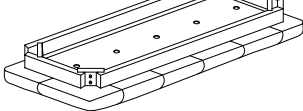

1. Don't attempt to repair or modify parts that are broken or defective. Please contact the store immediately.
2. This product is for home use only and not intended for commercial establishments.



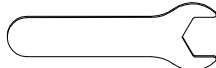
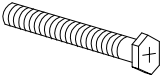


ASSEMBLY TIME

8 MINUTES

## PARTS IDENTIFICATION

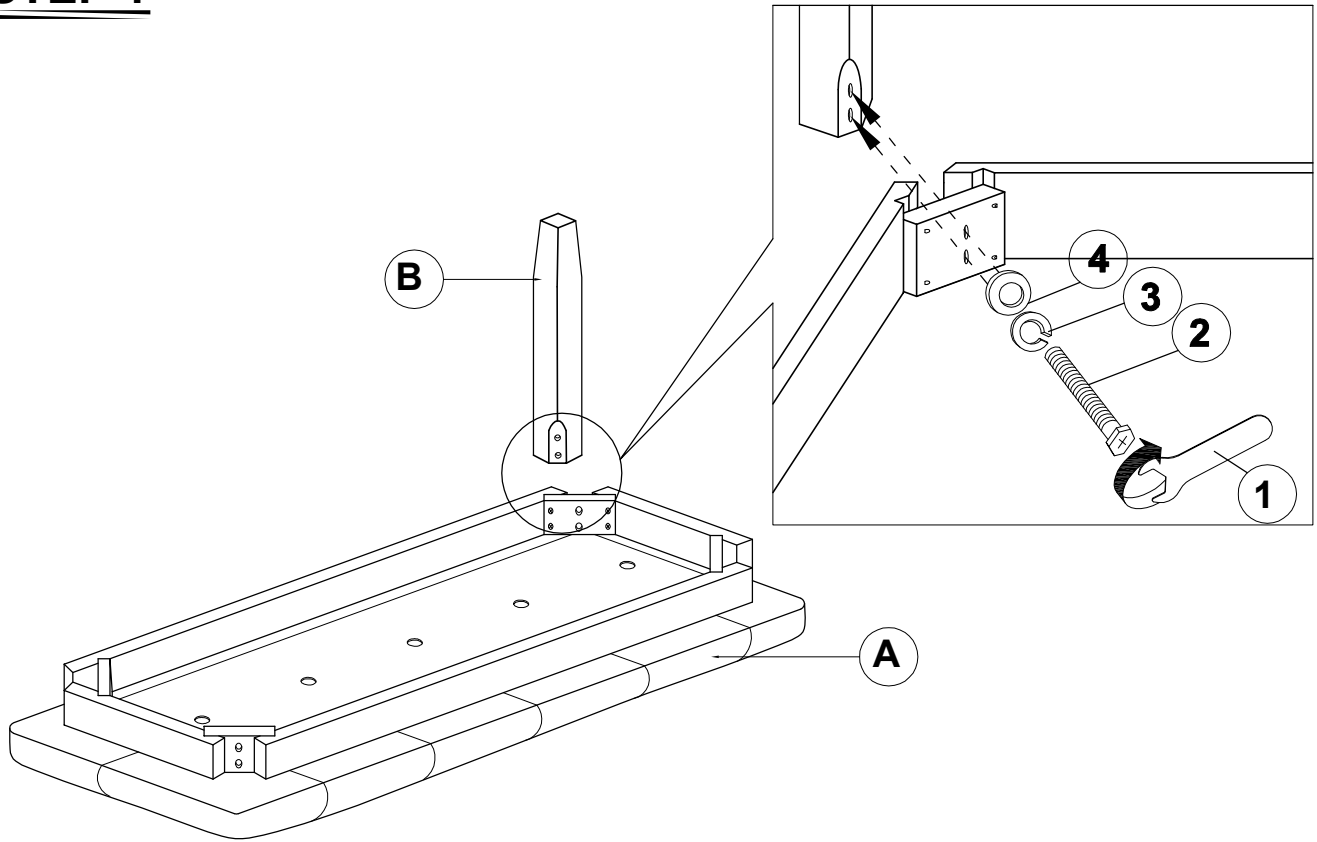
A	SEAT CUSHION WITH FRAME		1PC
B	LEG		4PCS

## HARDWARE IDENTIFICATION

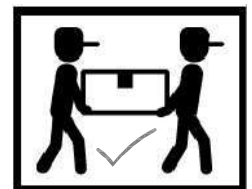
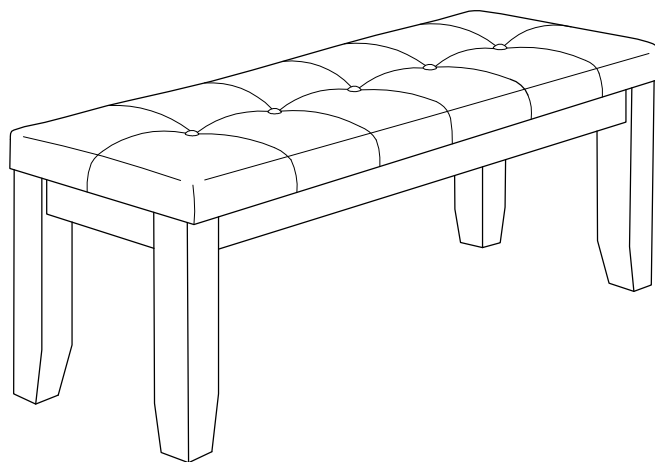
1	WRENCH (12.8mm - RBW)		1PC
2	BOLT (M8 x 60mm - SILVER)		8PCS
3	LOCK WASHER (5/16" - RBW)		8PCS
4	FLAT WASHER (5/16" - RBW)		8PCS

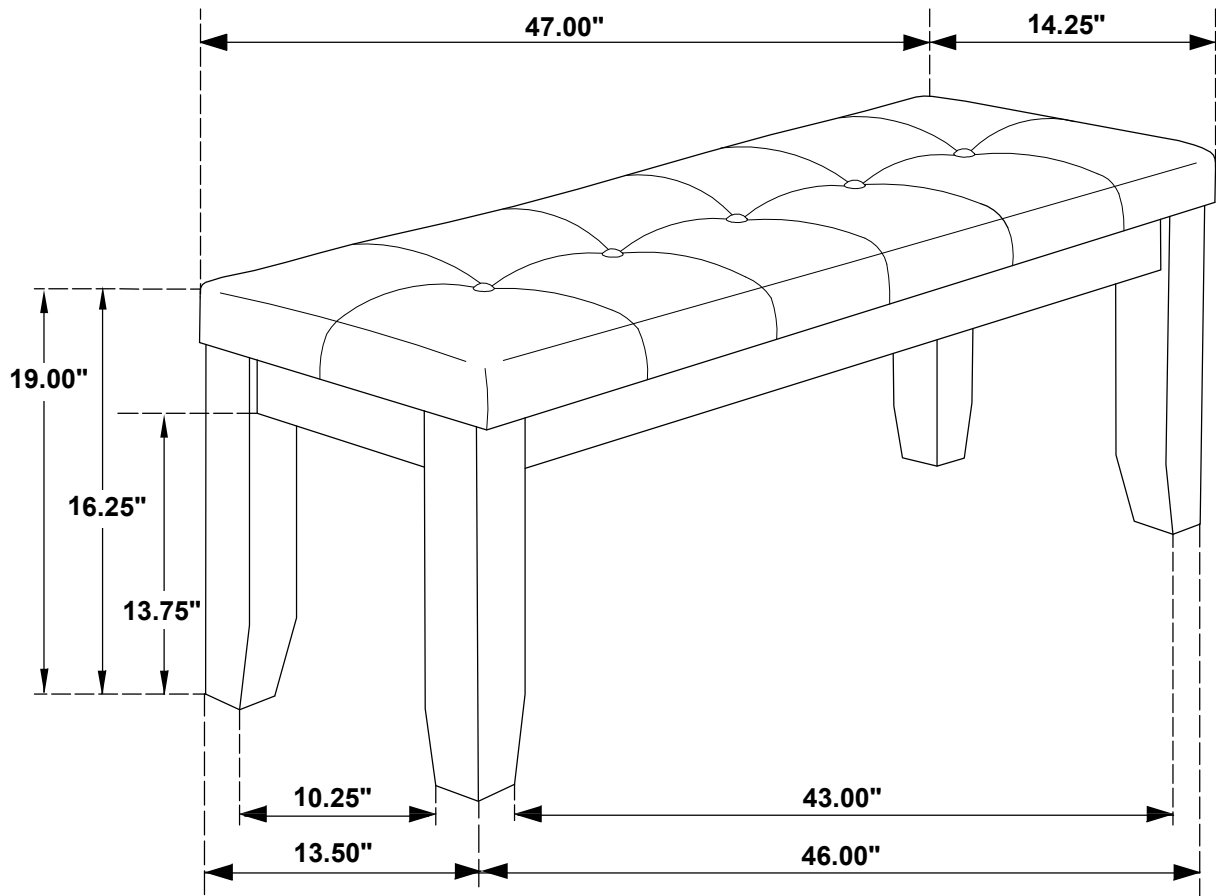
# ASSEMBLY INSTRUCTIONS

## STEP 1



## STEP 2 COMPLETE





**Note: Dimension tolerance  $\pm 5\%$**