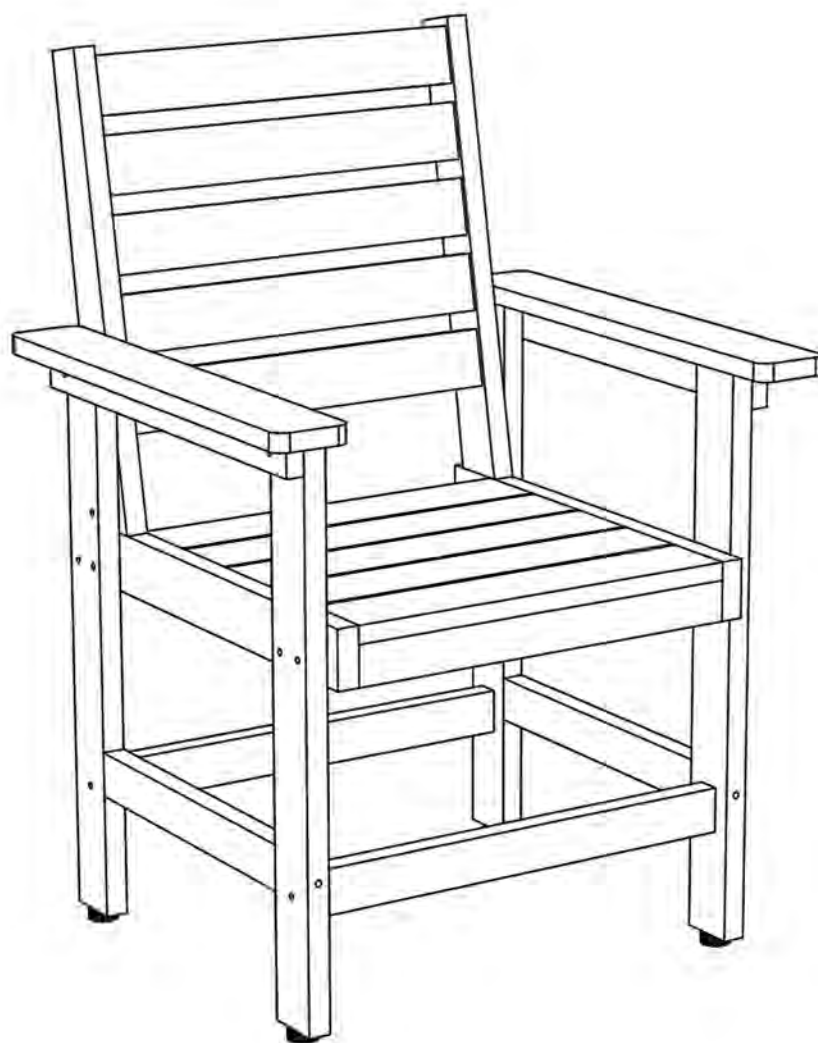


USER'S MANUAL

OUTDOOR DINING CHAIRS



Guide of Manual

- ★ Thanks for your choice. **We will do our best to provide customer service for everyone.**
- ★ Please check to make sure all parts are included as stated when you unpack. If there are parts missing or wrong, please contact us, **we will expeditiously provide reissue accessories, compensation or other services.**
- ★ Instruction should be read carefully. But the manual may not cover every detail of all possible situations and steps. **Please contact us if further information and help are needed. We will respond in a timely manner.**
- ★ **Please be patient that the other items are on the way if you buy more than one product.**

Warning

- It's kindly advised to assemble this product on a carpeted floor to protect it from being scratched.
- Small parts are included. Please keep the product away from children while assembling. Do not let children play or jump on the product. Do not stand on the item or use as a step ladder.
- Please pay attention to the sharp corners during assembly. We recommend the use of gloves to prevent the undesired injury.
- Prior to use, please check to see if there's any loosening screw or part. Make sure that each screw and part is correctly installed and securely fastened.
- It's unnecessary to use electric drill. Please at a low gear if you need.

Care and Maintenance

- Use a soft, clean cloth that will not scratch the surface when dusting.
- If you run into scratches problems, we suggest you erase the scratches by knife.
- This item could be cleaned with soap and water. Be sure to avoid harsh solvents and abrasives.
- Periodically (every 90 days) make sure the screws are fully tightened.

Resists Pest & Rough Weather

- These all-weather items can be stored outdoors year-round. Perfect for people who lives in a wet climate or lives on the coast where humidity and moisture will be an issue all year.

Material

- 100% HDPS


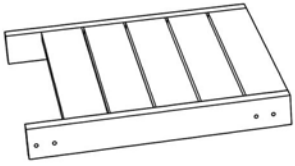






Max Weight Capacity

- 300lbs [Do not stand on the item]



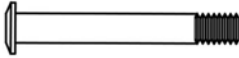


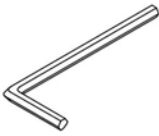
Parts List & Assembly Instruction

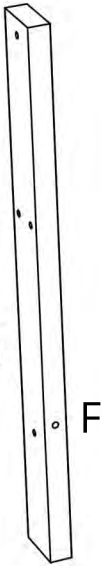
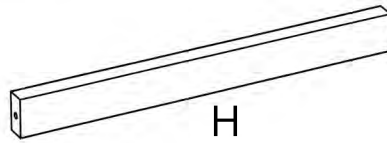
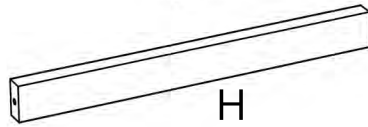
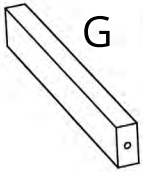
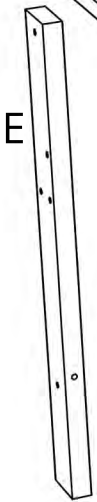
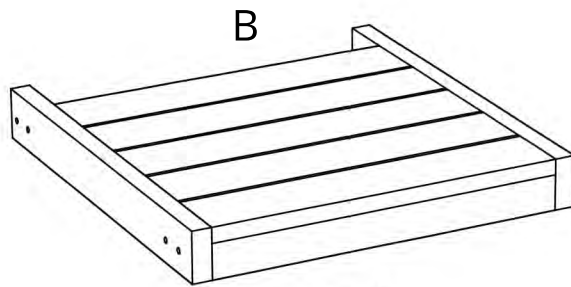
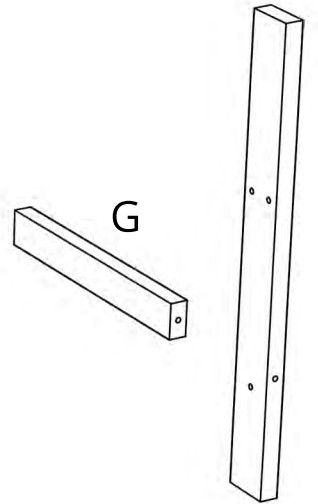
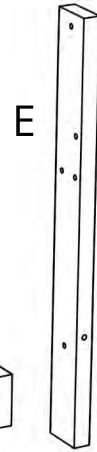
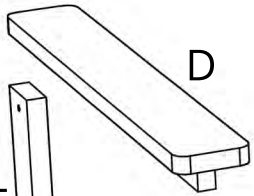
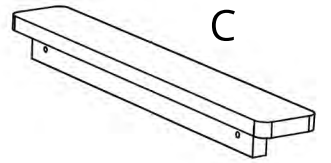
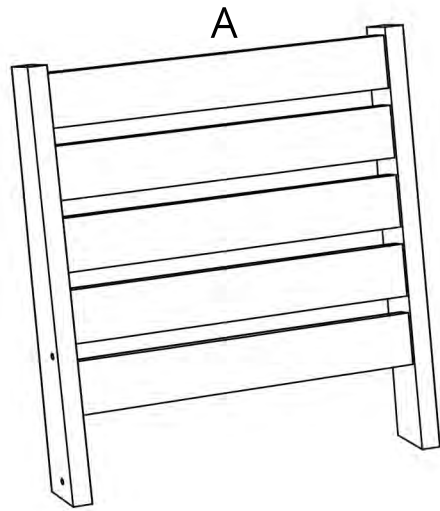
1. Make sure all parts are in the package.
2. "+" in below list indicates that additional pieces are replacement parts.
3. Do not fully tighten anything until all screws, nuts, washers and bolts are in place.

Parts List

<p>A x1pc Backrest</p> 	<p>B x1pc Seat</p> 	<p>C x1pc Right Armrest</p> 	<p>D x1pc Left Armrest</p> 
<p>E x2pcs Back Leg</p> 	<p>F x2pcs Front Leg</p> 	<p>G x2pcs Short Rail</p> 	<p>H x2pcs Long Rail</p> 


Hardware List

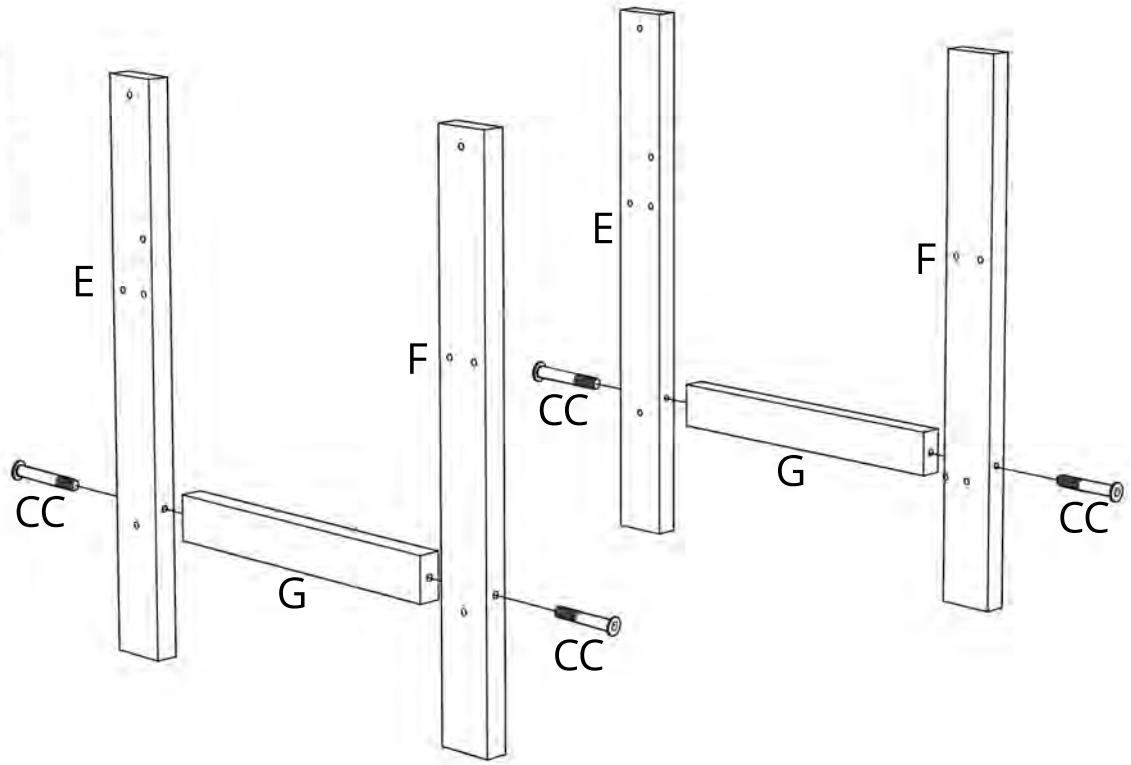
<p>AA x 12+2pcs M6 x 40</p> 	<p>BB x 2pcs M6 x 60</p> 	<p>CC x 4pcs M6 x 90</p> 	<p>DD x 4pcs M6 x 50</p> 
<p>EE x 4pcs Leveling Feet</p> 	<p>FF x 1pc Allen Wrench</p> 		



Step 1


CC  x4
FF  x1

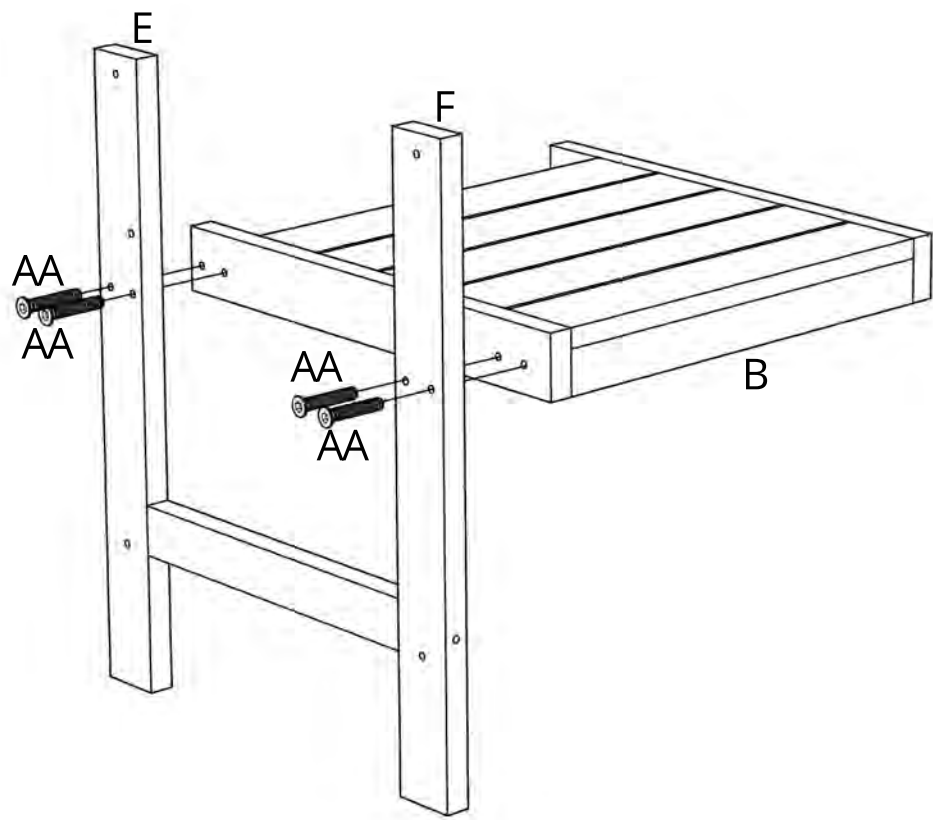
 80% 100%
80% 100%



Step 2

AA  x4
FF  x1

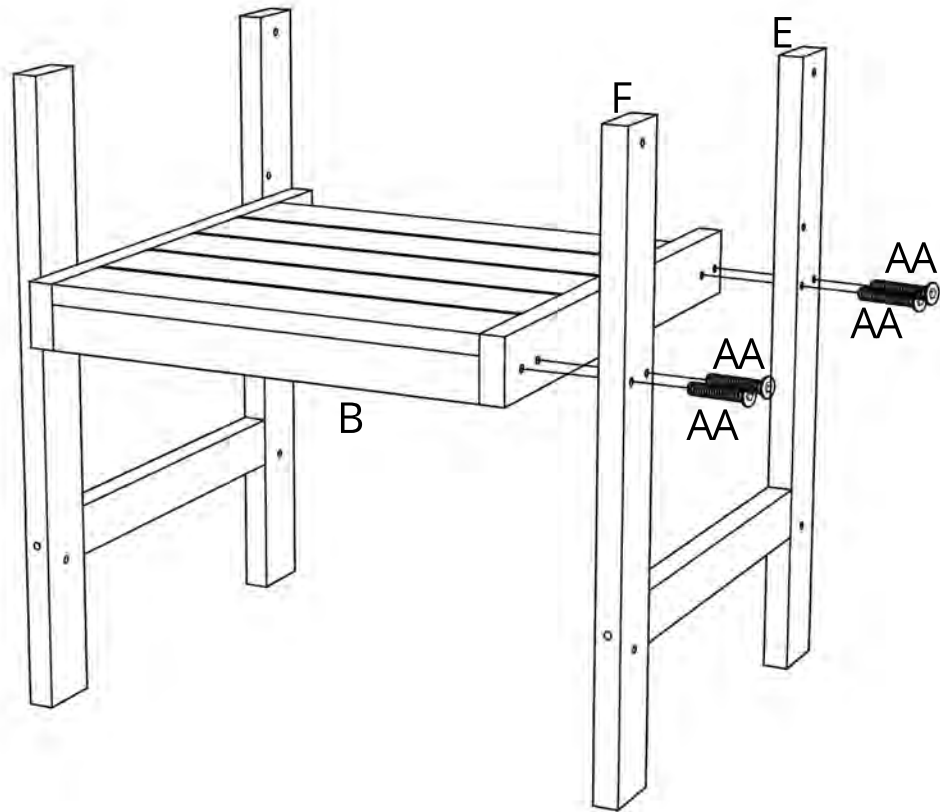
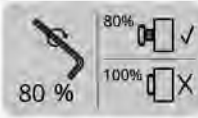
 80% 100%
80% 100%



Step3

AA  x4

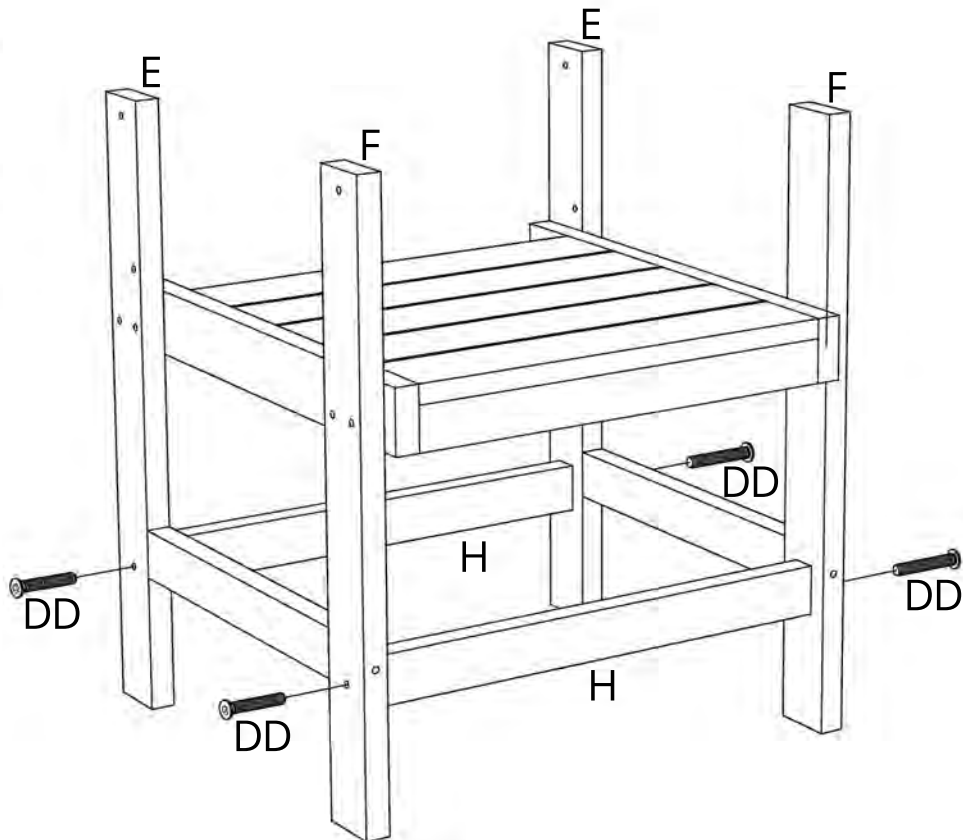
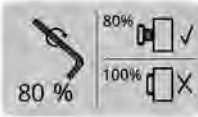
FF  x1



Step4

DD  x4

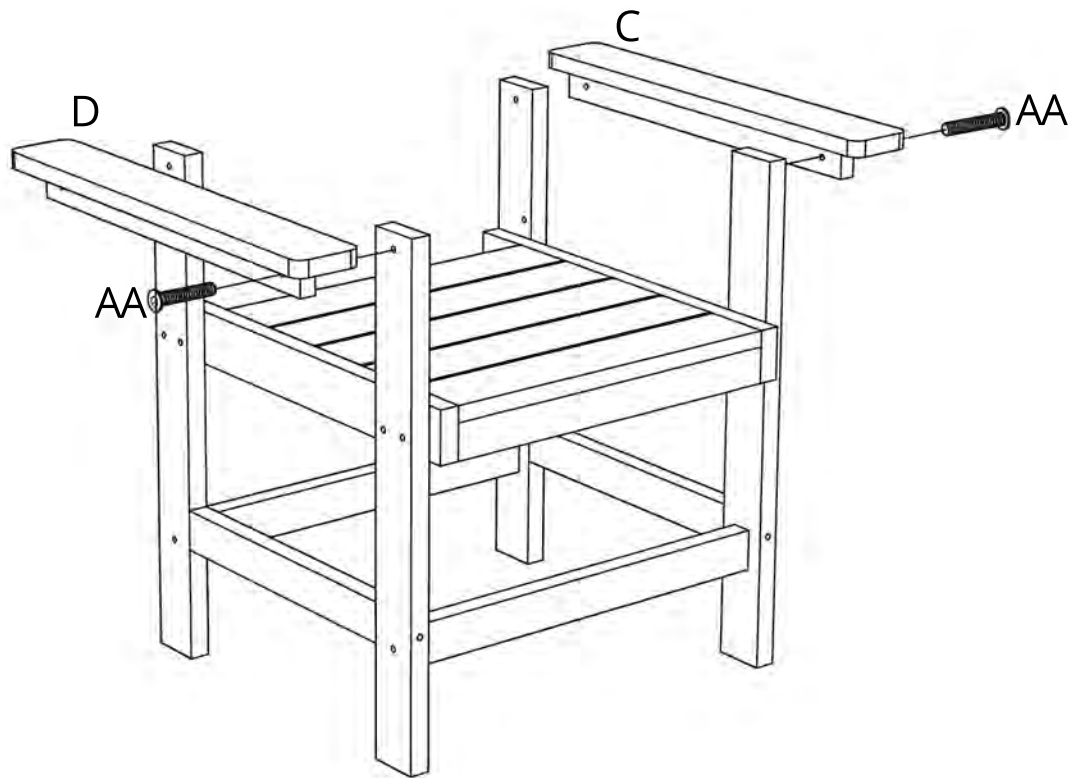
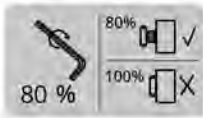
FF  x1



Step5

AA  x2

FF  x1

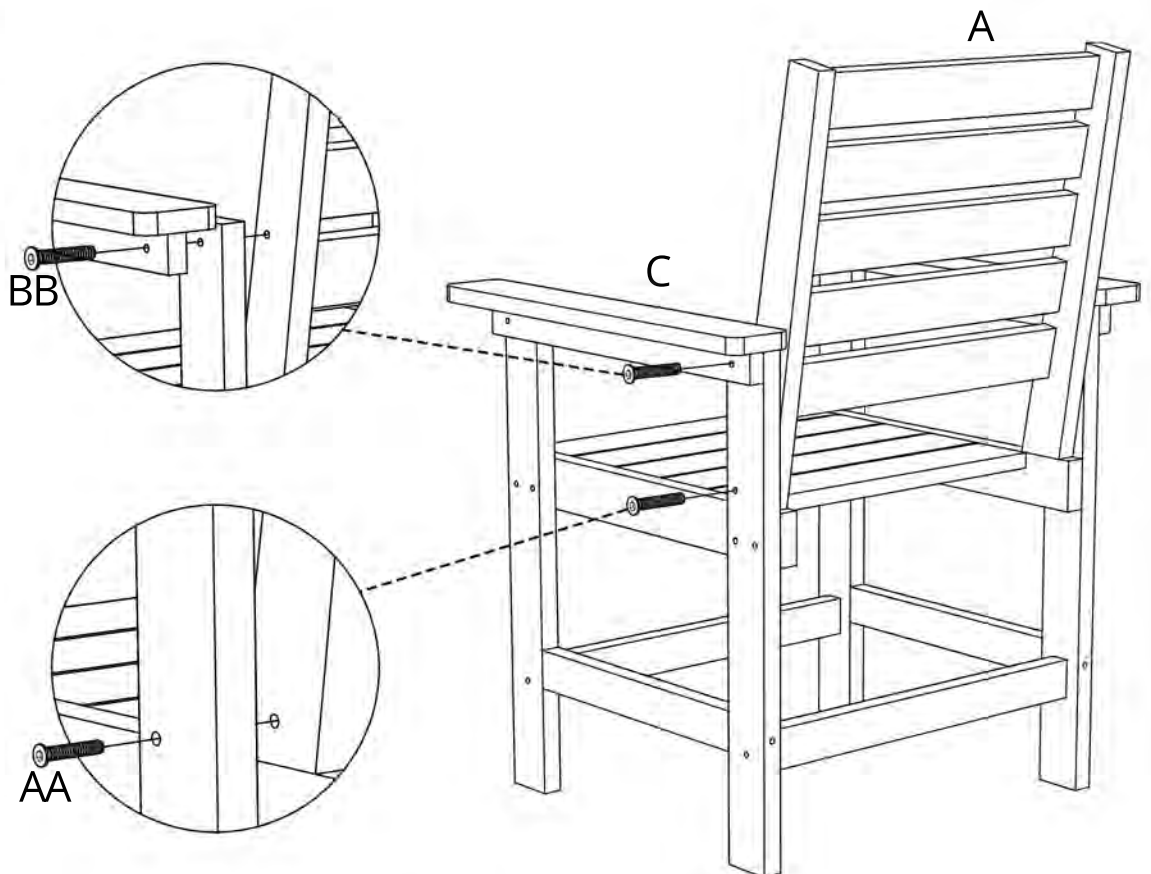
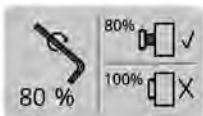


Step6

AA  x1

BB  x1

FF  x1

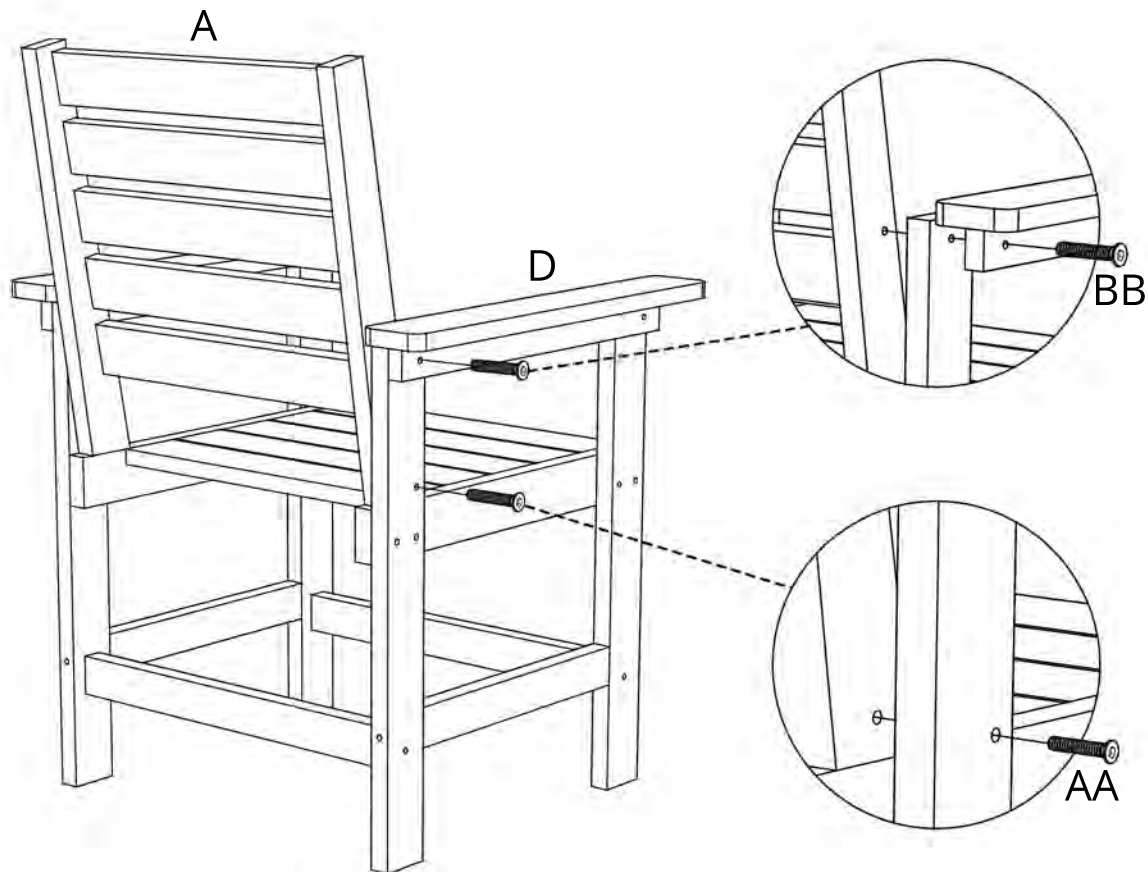
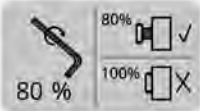


Step 7

AA  x1

BB  x1

FF  x1

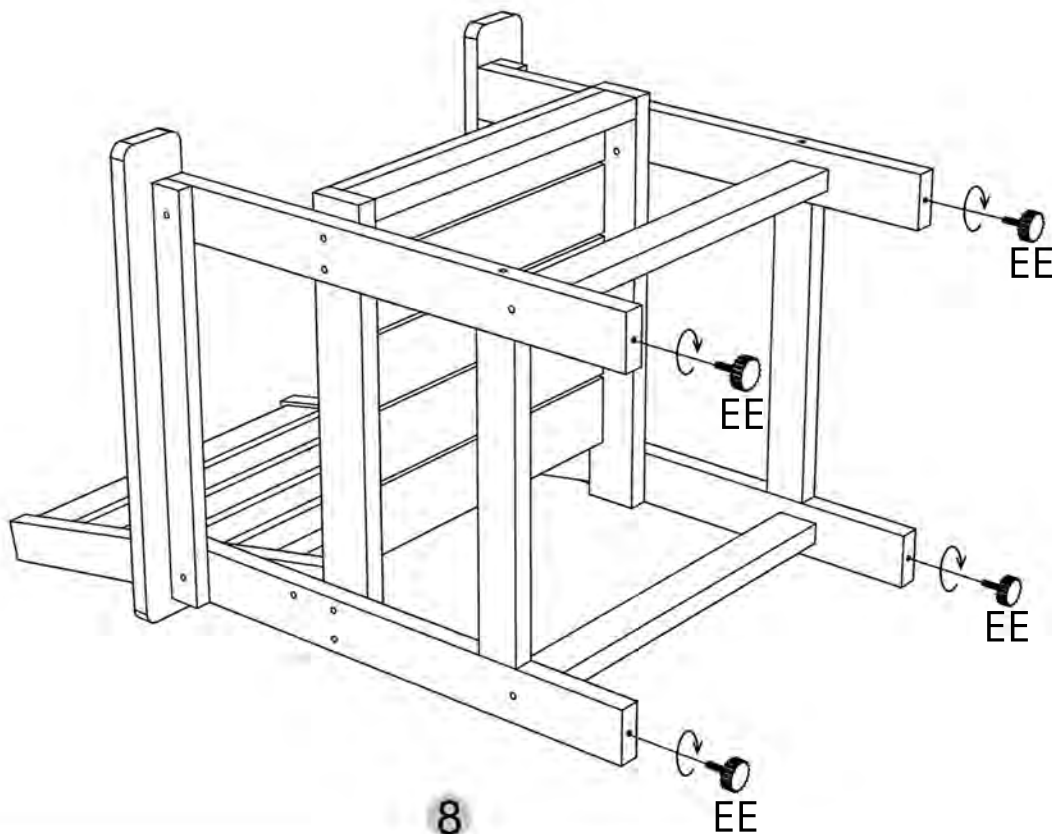


Step 8

Now you can 100% tighten all bolts in Step 1 2 3 4 5 6 7 to ensure a steady use of the item.

EE  x4

Adjust the leveling feet for balance.



FINISHED



In the course of future use, if the screws are found to be loose, Please 100% tightened the loose screws to ensure the item can be used normally.

