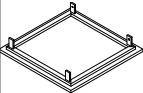


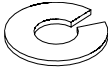




## End Table

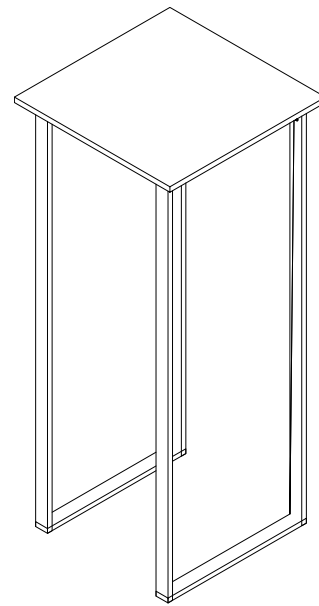
3813

Approximate time to assemble : 10 Minutes

### HARDWARE LIST

ITEM	DESCRIPTION	PART	QTY
A	TOP		1
B	LEG		2
C	WASHER		4
D	LOCK WASHER		4
E	ALLEN SCREW		4
F	ALLEN KEY		1

ASSEMBLED



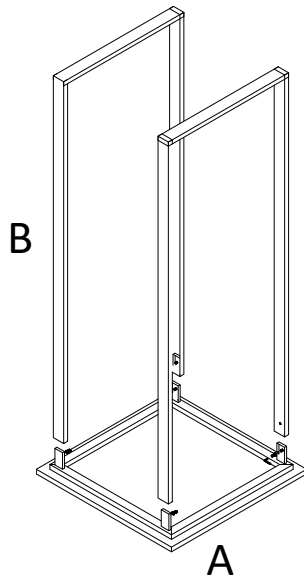
# End Table

## 3813

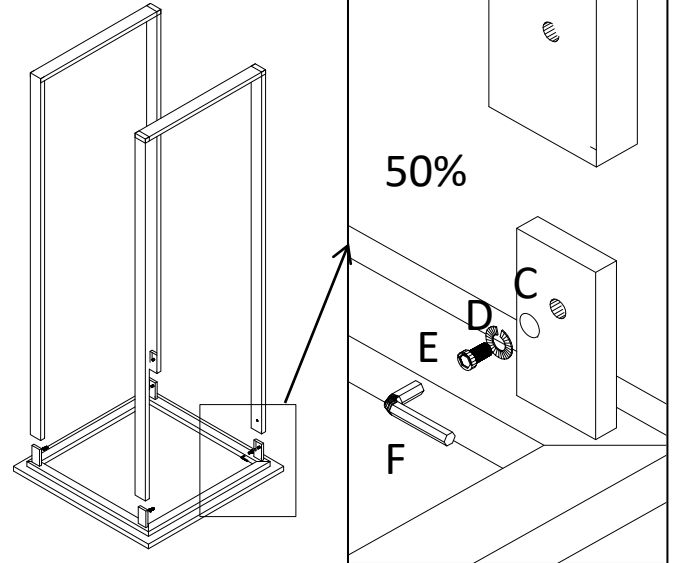
Approximate time to assemble : 10 Minutes

### ASSEMBLY INSTRUCTION

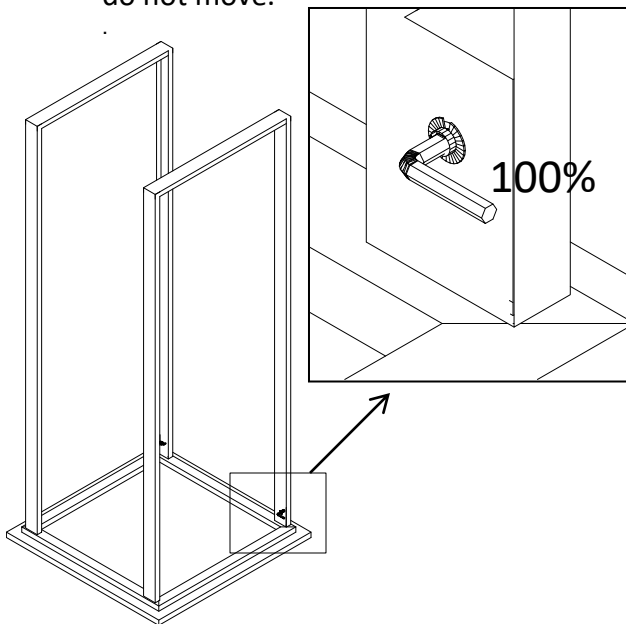
**STEP 1** Align Leg with the Top of table top



**STEP 2** Do not fully tighten the screws until all screws holes have been allocated and aligned with each leg.



**STEP 3** Tighten them properly (100%) so that they do not move.



**STEP 4** Place the Table on the floor

