



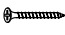


# ASSEMBLY INSTRUCTION

## HARDWARE LIST:

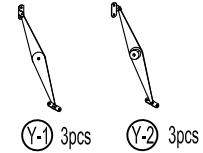
### BOLTS AND NUTS :

- ①  M6 x 75 8pcs
- ②  M6 x 65 8pcs

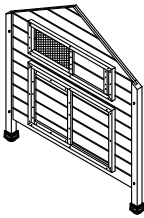
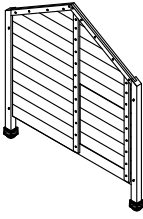
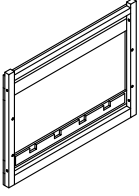
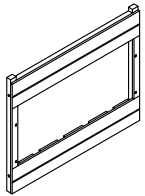
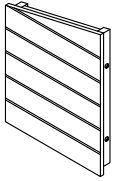
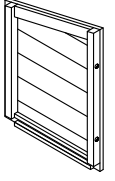
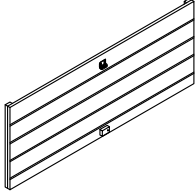
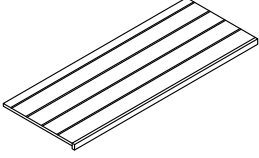
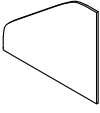
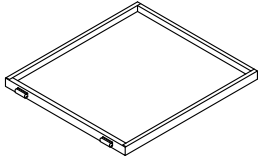
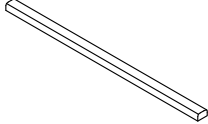
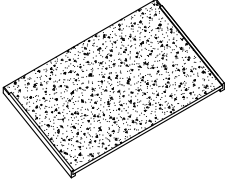
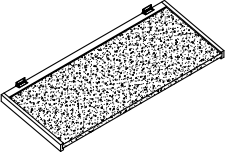
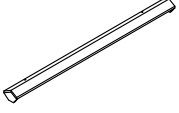
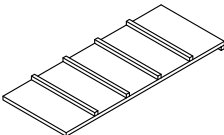
### SCREWS :

- ③  Ø3.5 x 35 14pcs
- ④  Ø3.5 x 25 2pcs
- ⑤  Ø3 x 18 32pcs

### HINGES :

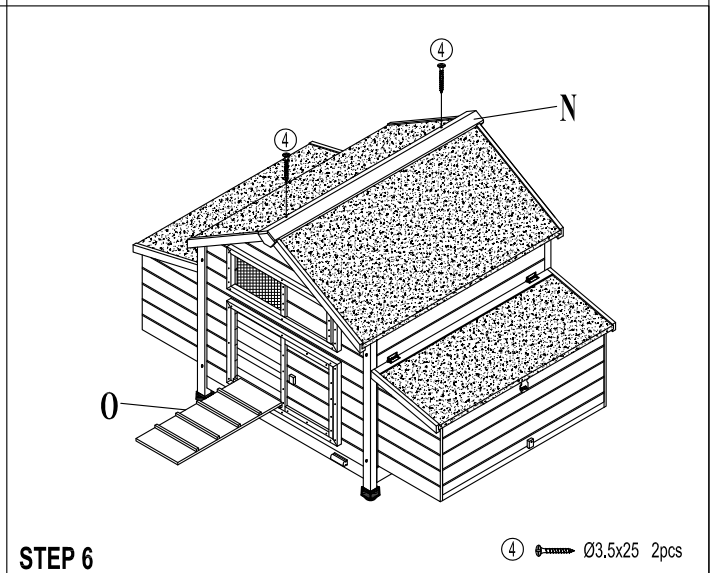
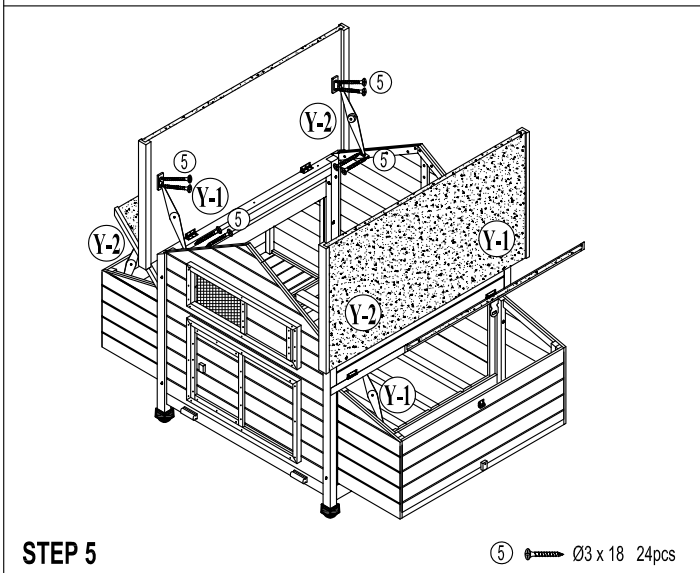
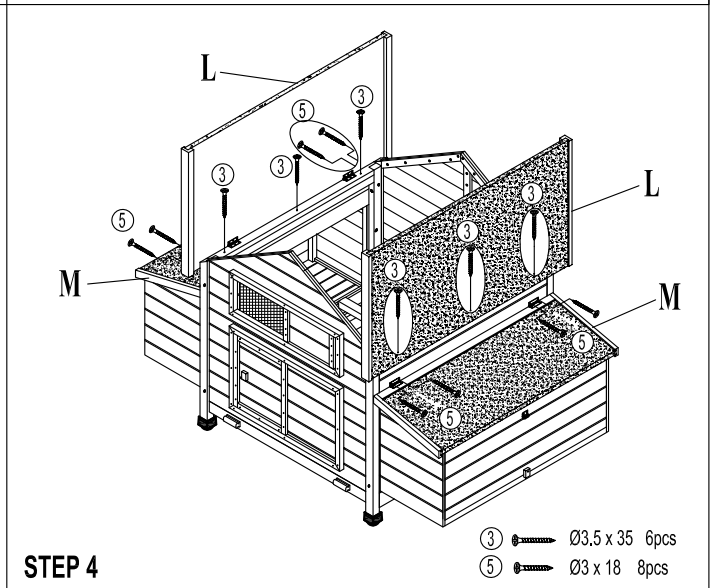
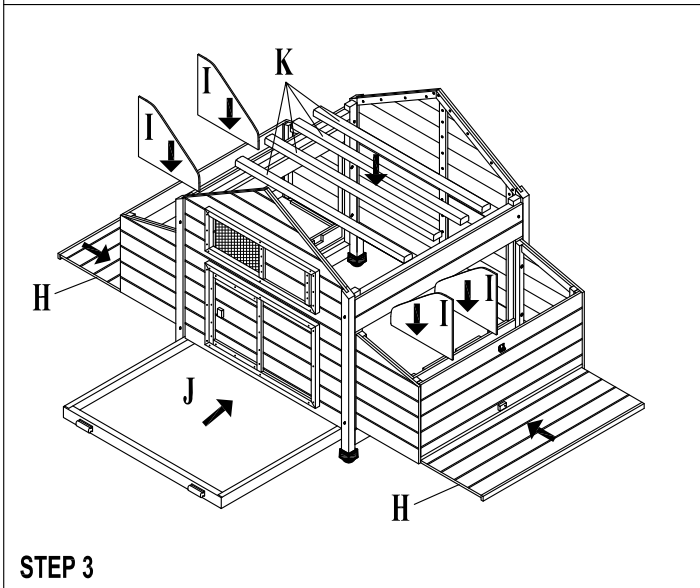
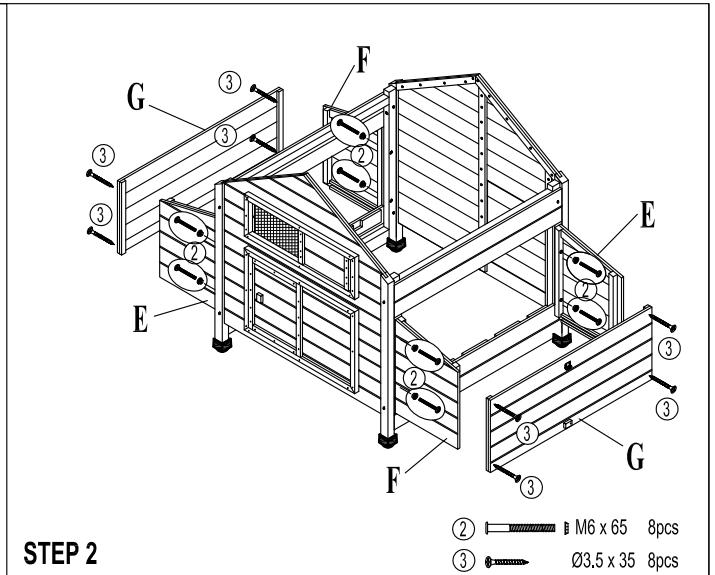
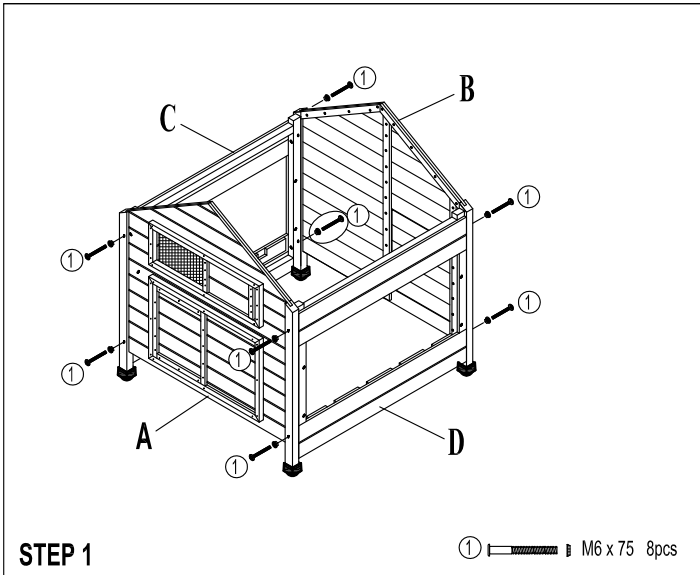


## PANELS AND FITTINGS IDENTIFICATION:

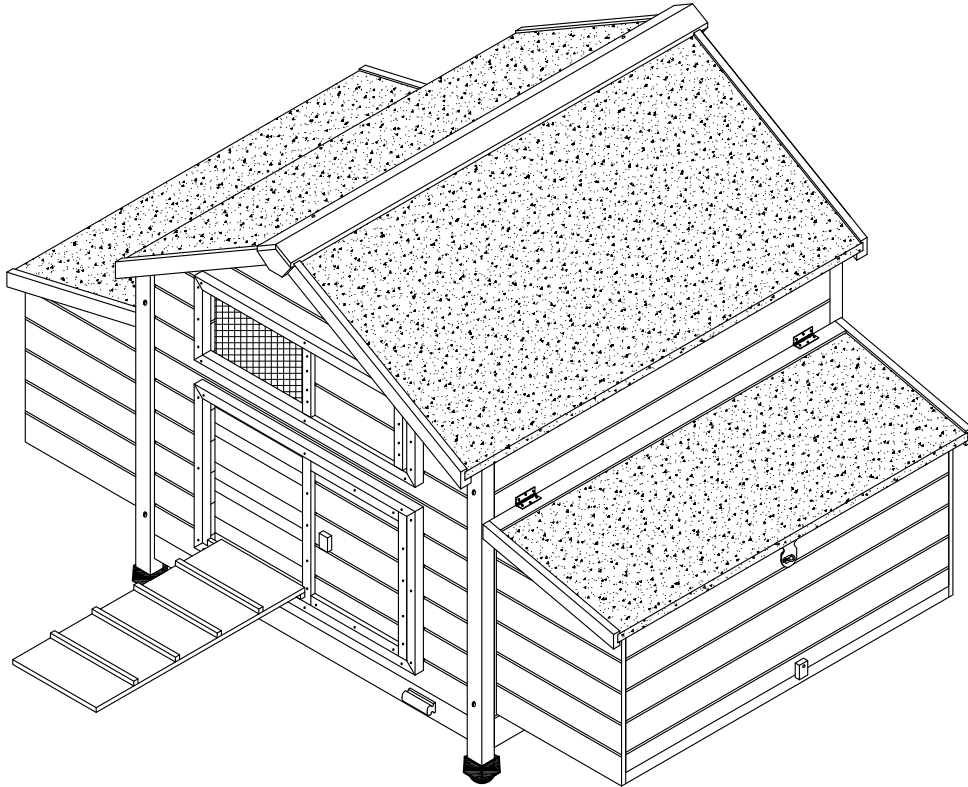
<p>A×1</p>  <p>Front board</p>	<p>B×1</p>  <p>Back board</p>	<p>C×1</p>  <p>Left side board</p>	<p>D×1</p>  <p>Right side board</p>
<p>E×2</p>  <p>Right-side board of nesting box</p>	<p>F×2</p>  <p>Left side board of nesting box</p>	<p>G×2</p>  <p>Front board of nesting box</p>	<p>H×2</p>  <p>Bottom board of nesting box</p>
<p>I×4</p>  <p>Middle board of nesting box</p>	<p>J×1</p>  <p>Metal tray</p>	<p>K×4</p>  <p>4 Perches</p>	<p>L×2</p>  <p>Two roofs of house</p>
<p>M×2</p>  <p>Two roofs of nesting box</p>	<p>N×1</p>  <p>Roof cap</p>	<p>O×1</p>  <p>Ladder</p>	

# ASSEMBLY INSTRUCTION

## STEP-BY-STEP ASSEMBLY:



# ASSEMBLY INSTRUCTION



Model: **Savoy Double Nesting Box**

## PRE-ASSEMBLY PREPARATION:

Notice:

1. This chicken house is for outdoor use only.
2. Warning fire hazard: keep away from naked flame.
3. Do not place heavy items on this chicken house, this may result in damage.
4. Assemble this chicken house on a flat surface.
5. An appropriate screwdriver is to be used in the assembly of this chicken house.