

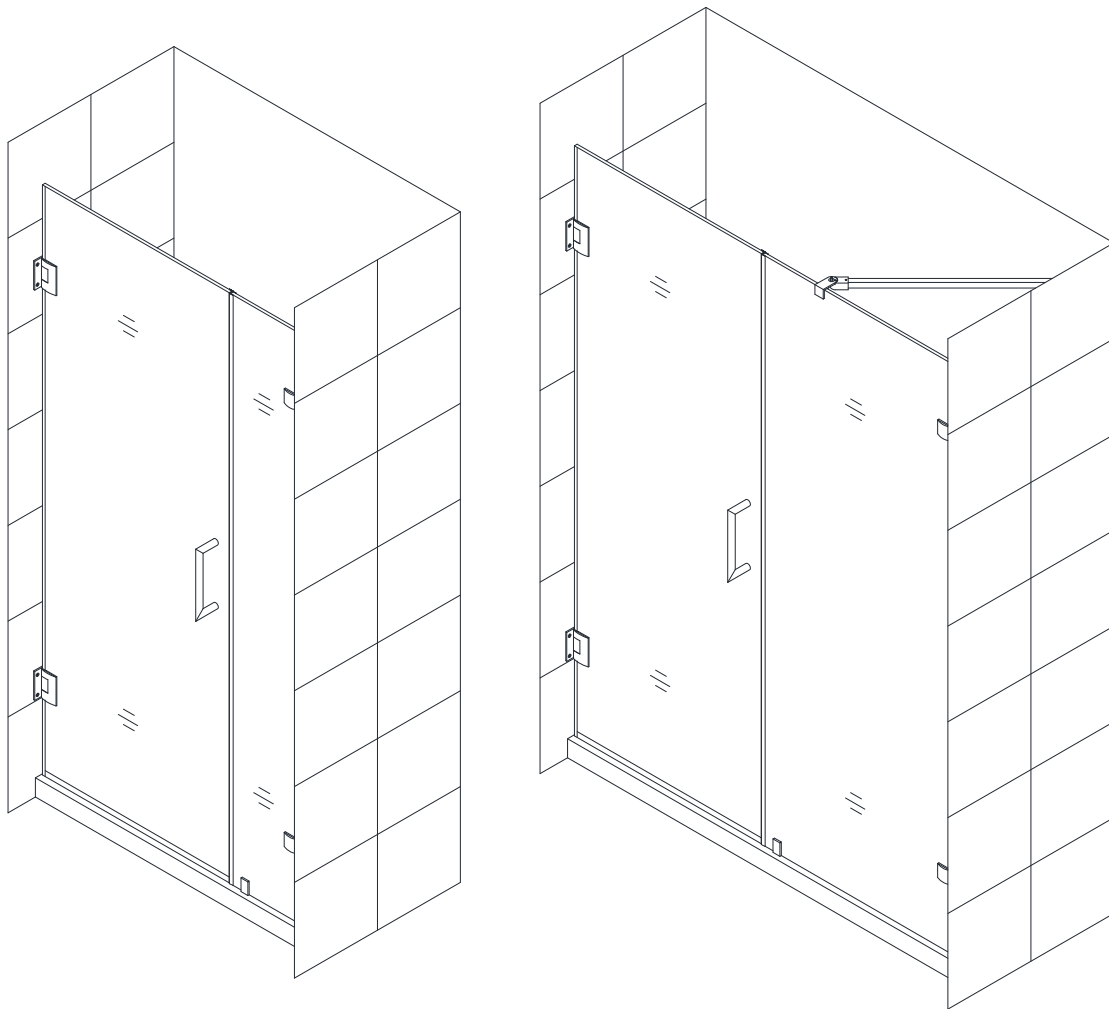


RADIANCE

SHOWER DOOR INSTALLATION INSTRUCTIONS

IMPORTANT

DreamLine™ reserves the right to alter, modify or redesign products at any time without prior notice. For the latest up-to-date technical drawings, manuals or any other details please refer to the support.BathAuthority.com web page.



Please read these instructions carefully before installing. If you have any questions regarding installation, please call our technical support specialists Monday through Friday 9:00 AM – 5:00 PM EST at Phone: [1-866-731-2244](tel:1-866-731-2244), Fax: [1-866-227-1533](tel:1-866-227-1533) or e-mail our technical support group at support@BathAuthority.com.

For more information on [DreamLine Shower Doors](http://www.BathAuthority.com) please visit www.BathAuthority.com

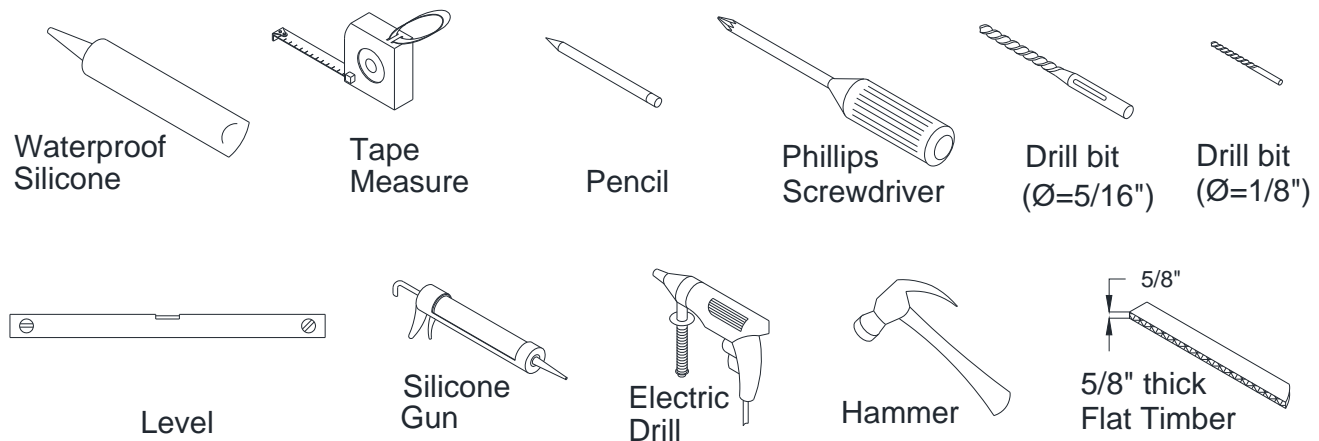
Preparation

1. After opening all boxes and packages, read this introduction carefully. Check that all of the needed parts are included in the package, by marking all the components on the "Detailed Diagram of Shower Door Components". Examine boxes and packages for shipping damage. If the unit has been damaged, has a finishing defect, or has missing parts, please contact our customer support department within 5 business days of the delivery date. Please note that **DreamLine™ will not replace any damaged products or missing parts free of charge after 5 business days or if the product has been installed.** Feel free to contact DreamLine™ if you have any questions.
2. **Please note that you should consult your local building codes with questions on installation compliance standards. Building and plumbing codes may vary by location, and DreamLine is not responsible for code compliance standards for your project and will not accept any returns.**
3. Please ensure that prior to the installation the installation surface is leveled and solid and will be able to support the total weight of the unit. Also make sure the walls are at right angles. Irregular installation surface level or improper angle of side walls will result in serious problems for your installation. Please, note that some adjustments and drilling might be necessary during the installation process.

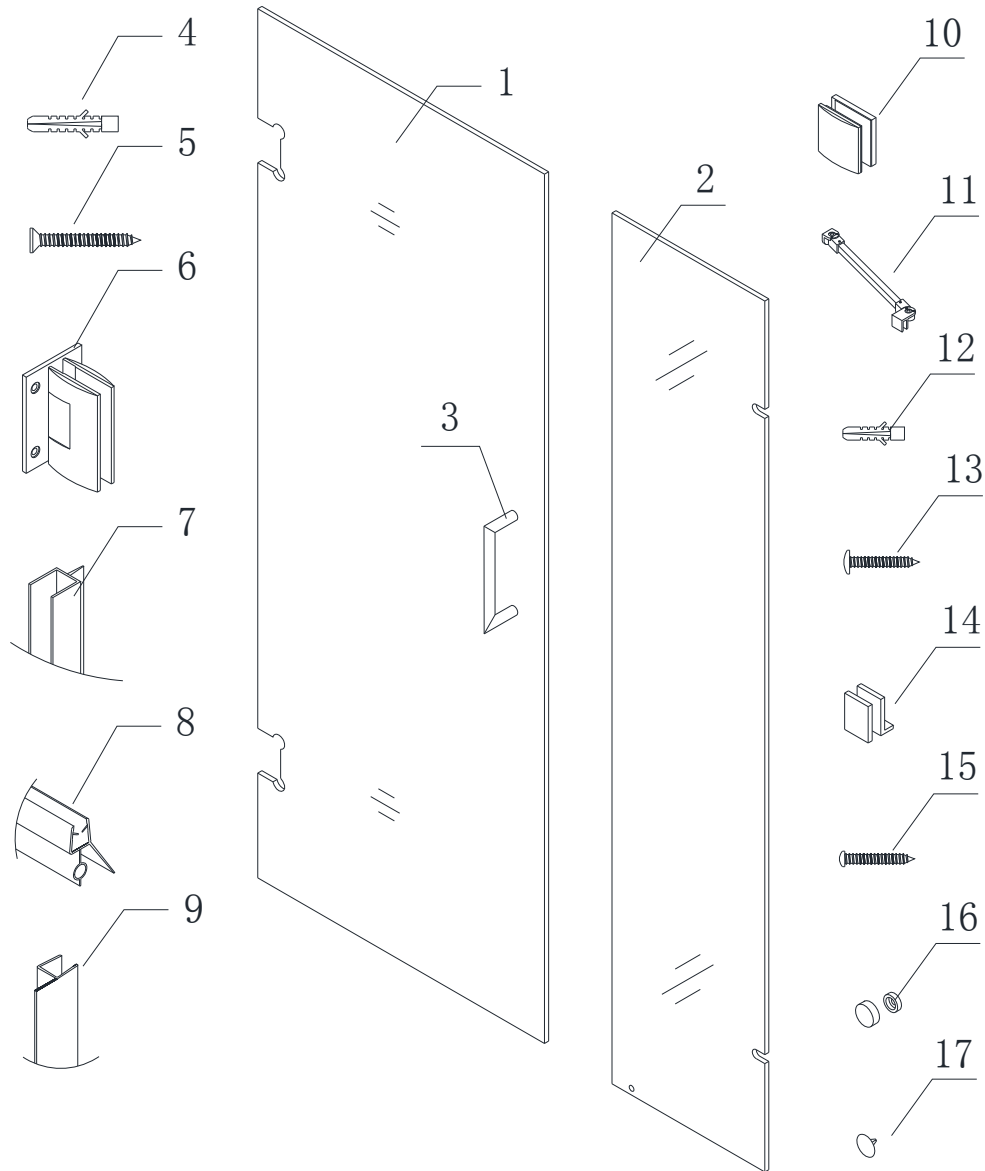
PLEASE, NOTE!

This door does not have out-of-plumb adjustment. Make sure your walls are vertical and your shower base or threshold is leveled.

Tools Required



Detailed Diagrams of Shower Door Components



*** ATTENTION:** All parts that marked with the star (*), not provided with 6" Stationary panel.

01	Glass door	1pc	10	Wall bracket	2pcs
02	Stationary glass	1pc	11	Support bar	1pc*
03	Handle	1pc	12	Wall Anchor	2pcs+1pc*
04	Wall Anchor (for hinge)	8pcs	13	Round head screw ST 4.2x30	2pcs+1pc*
05	Countersunk screw ST5x50	8pcs	14	Bottom bracket	1pc
06	Hinge	2pcs	15	Round head screw ST 4.2x25	1pc
07	Side strip (3 sections to cut)	1pc	16	Decorative screw cap	1pc
08	Bottom anti-water strip	1pc	17	Decorative plug	6pc
09	Anti-Water strip	1pc			

NOTE: Unpack your unit carefully and inspect it. Lay it out and identify all parts using parts diagram and part list in your manual as a reference. Before discarding the carton, check for small hardware bags that tend to fall to the bottom of the box. If any parts are damaged or missing, please contact DreamLine™ for replacement.

NOTE: Retain these installation instructions for future reference.

Shower Door Installation

1. Attach the **Hinges (06)** to the **Glass door (01)**.

See Fig. 1 for details.

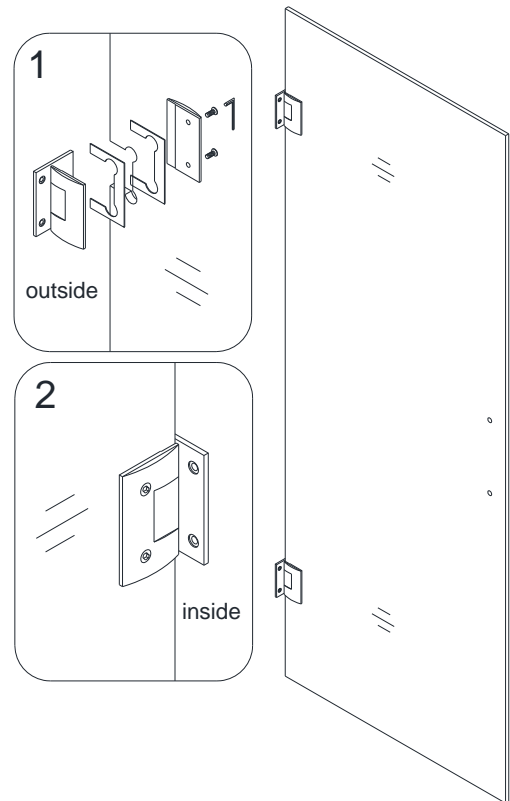


Fig. 1

2. Place a piece of flat timber (5/8" thick) on the threshold or the shower base. Take the **Glass door (01)** and place it on the flat timber. Carefully butt up the door with hinged side against the wall, adjust its position and level it.

ATTENTION:

Please check with the level and be sure the door is absolutely vertical.

See Fig. 2 for details.

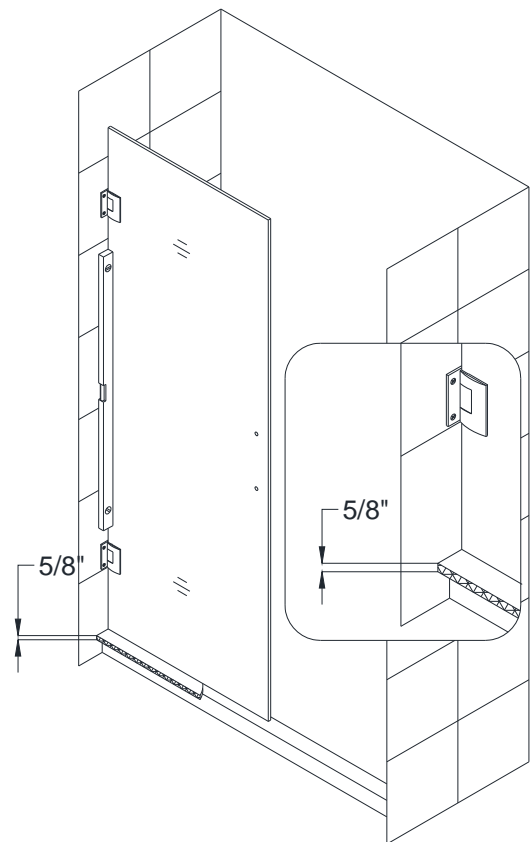


Fig. 2

3. Hold the door in place and mark the drill holes for both **Hinges (06)** on the wall. Set the door aside, drill the holes in the wall using \O 5/16" drill bit, and insert the **Wall Anchors (04)**.

ATTENTION:

Never set your glass down directly onto a tile or concrete floor. Always use a piece of wood or cardboard to protect the bottom edge and corners of the glass.

Place the **Glass door (01)** back on the flat timber and attach both hinges to the wall with only two **Countersunk screws ST5x50 (05)** on the hinge from outside of the shower.

See Fig. 3 and Fig. 4 for details.

PLEASE NOTE:

The manufacturer strongly recommends to attach this heavy door to the studs or to preinstalled 2x6 wood reinforcement behind the wall.

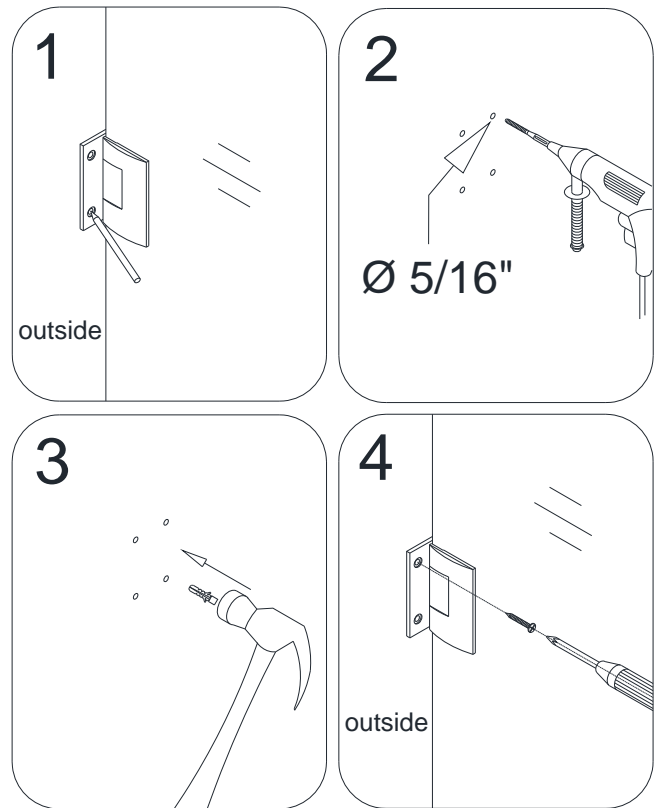


Fig. 3

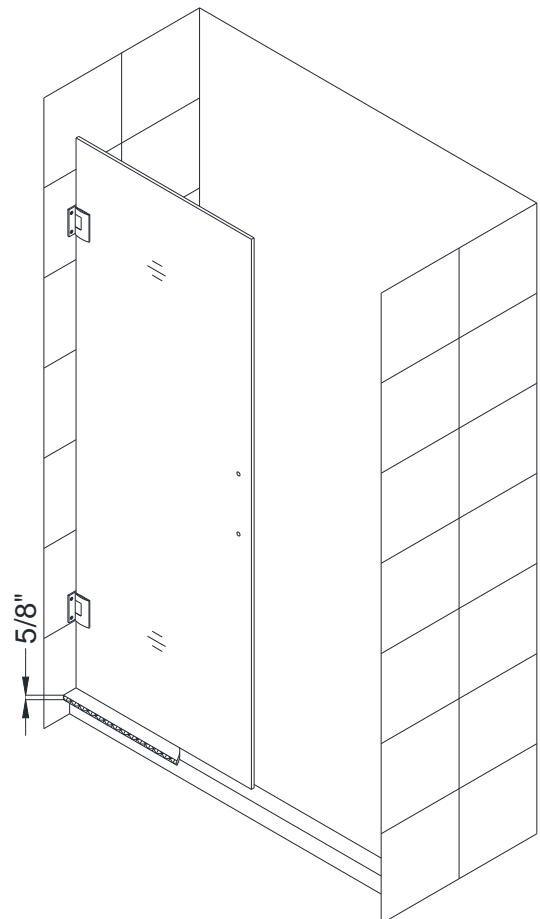


Fig. 4

ATTENTION:

Back plate of the hinge from inside the shower locates too close to the drilled holes in the wall and might get scratched with the long screws or screwdriver.

4. **(OPTIONAL)**

Carefully remove back plates from the **Hinges (06)** and set the **Glass door (01)** aside.

Screw in rest of the **Countersunk screws ST5×50 (05)** into the wall, place the **Glass door** back to its position and reassemble the **Hinges**.

Attach **Decorative plugs (17)** to the hex shape screws on the Hinge plate from inside the shower.

See Fig. 5 and Fig. 6 for details.

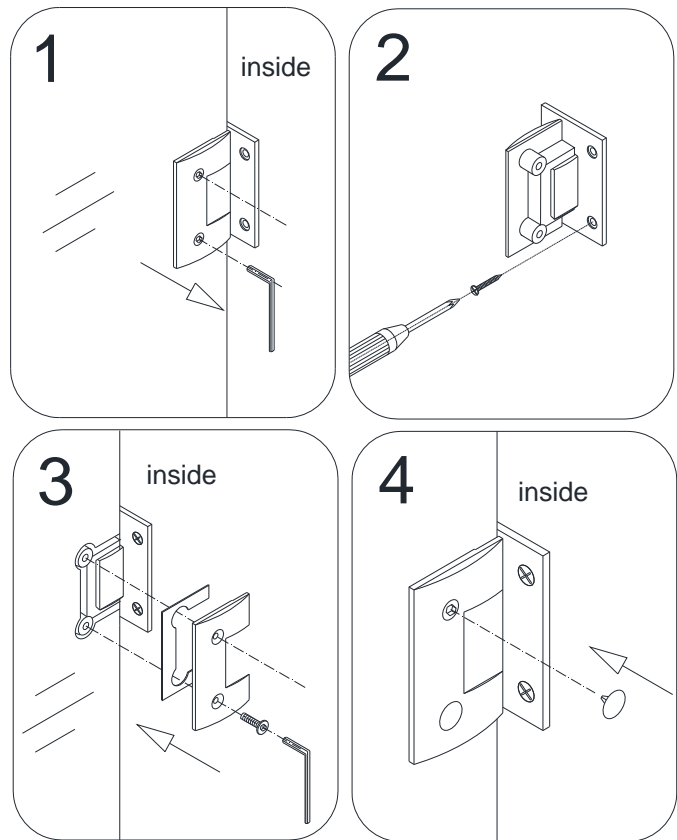


Fig. 5

5. Mount the **Handle (03)** to the **Glass door (01)**.

See Fig. 6 for details.

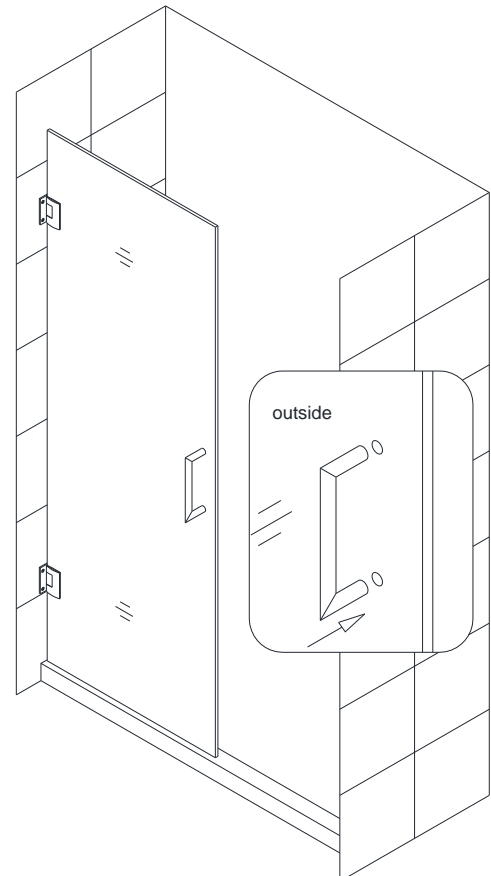


Fig. 6

6. Mount two **Wall brackets (10)** to the **Stationary glass (02)**.
Press the **Anti-water strip (09)** on the vertical edge of the **Stationary glass**.

See Fig. 7 and Fig. 8 for details.

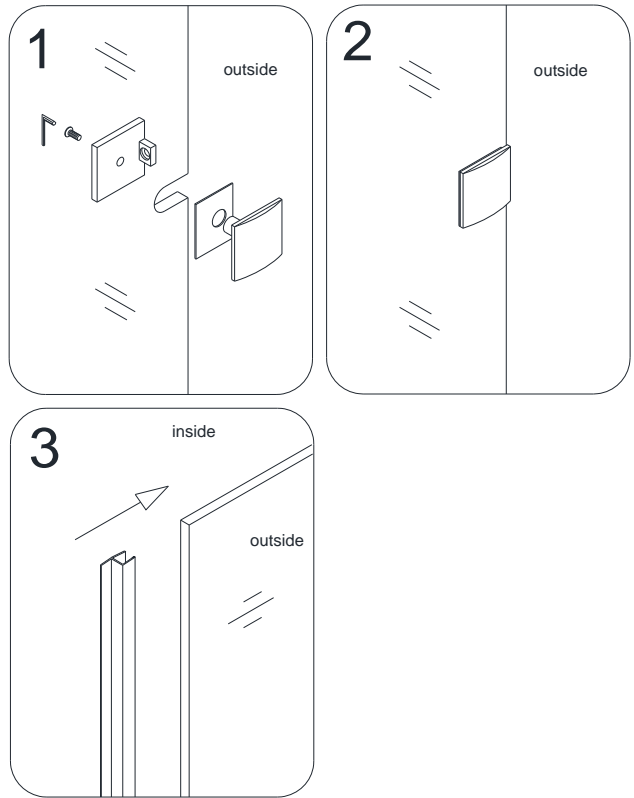


Fig. 7

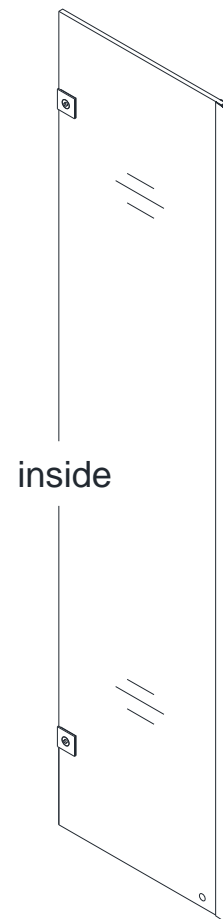


Fig. 8

7. Carefully butt up **Stationary glass (02)** against the wall vertically.

See Fig. 9 for details.

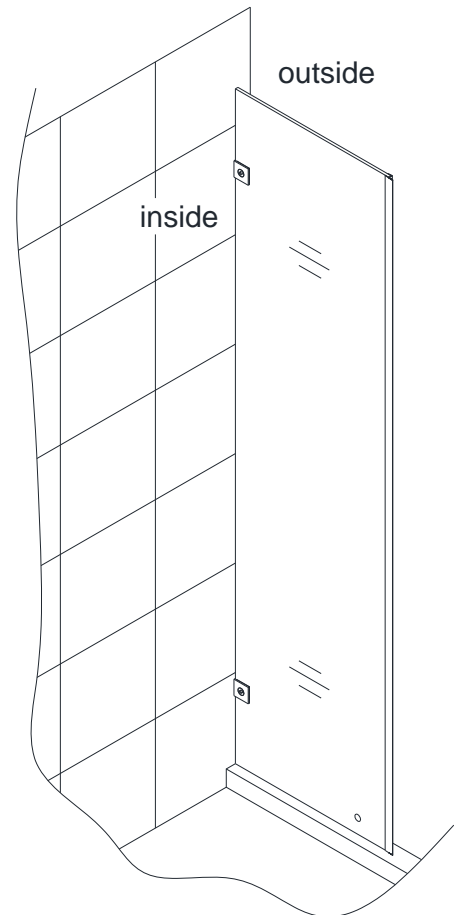


Fig. 9

8. Close the **Glass Door (01)** and align the **Stationary glass (02)** to it.

If needed adjust the position of the **Stationary glass** to make sure the **Anti-Water strip (09)** tight to the **Glass Door** from top to bottom and outline the position of the **Wall brackets (10)** on the wall from inside the shower.

See Fig. 10 for details.

PLEASE NOTE:

The Stationary glass must be leveled with the Glass door.

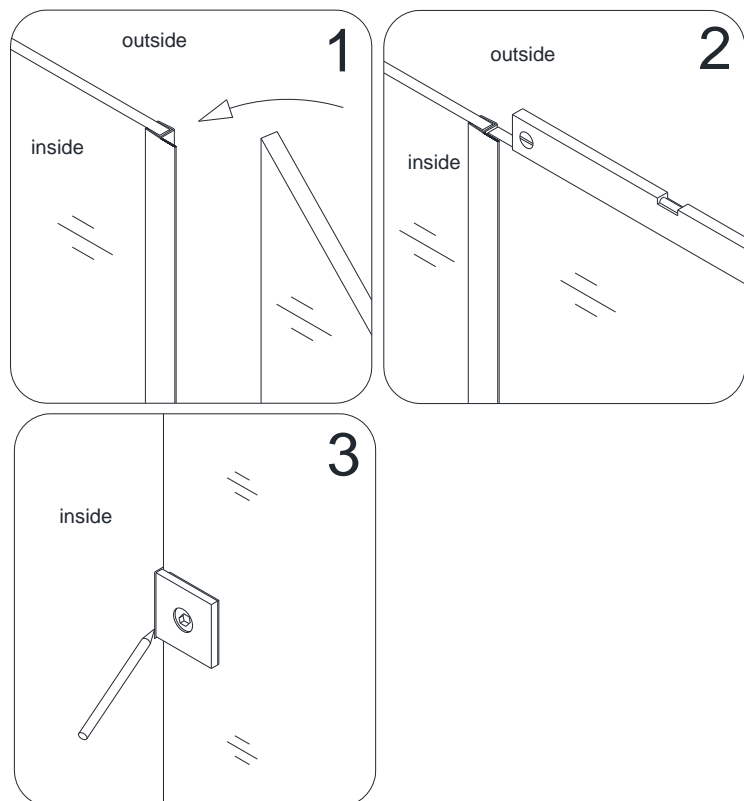


Fig. 10

9. Open the **Glass Door (01)**, set the **Stationary glass (02)** aside. Remove the **Wall brackets (10)** from **Stationary glass** and by replacing it to the outlined position mark the hole on the wall. Drill the hole using $\text{Ø } 5/16''$ drill bit, insert the **Wall anchor (12)** and fasten the **Wall brackets** to the wall with the **Round head screws ST4.2×30 (13)**.

See Fig. 11 for details.

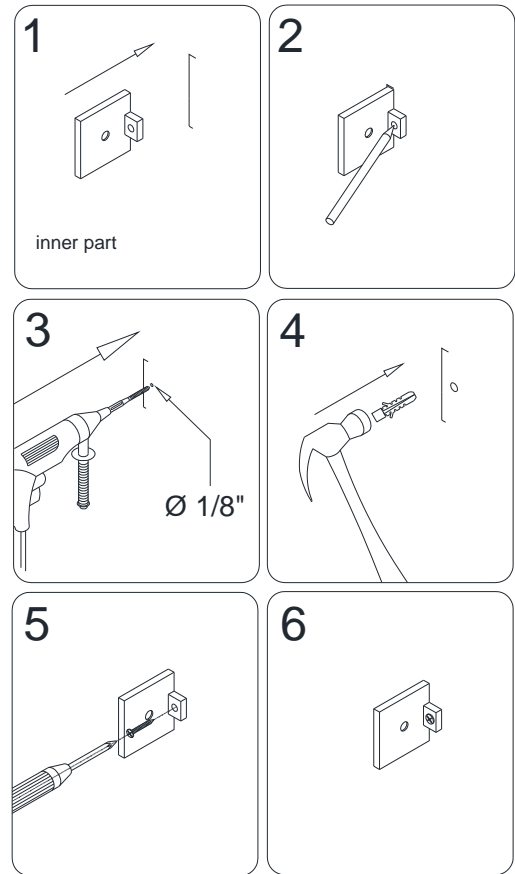


Fig. 11

10. Place **Stationary Glass (02)** back into position and tight it up to the **Wall Bracket (10)**.

Attach **Decorative plugs (17)** to the hex shape screws on the **Wall Bracket** plate from inside the shower.

See Fig. 12 for details.

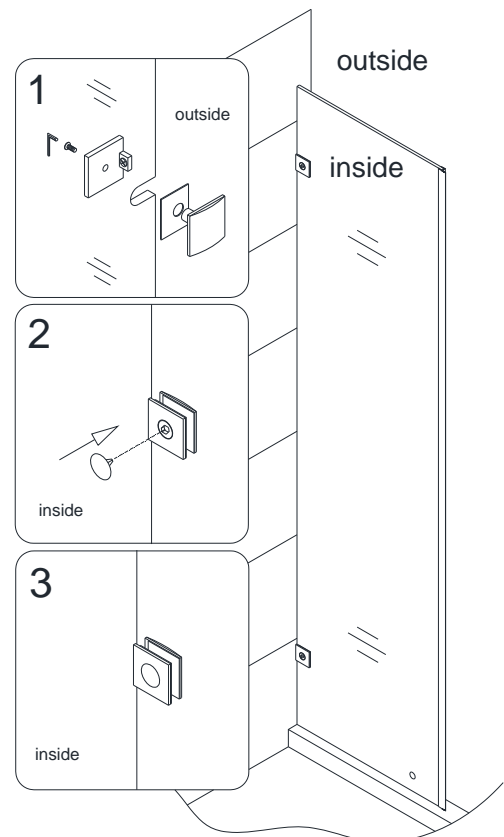


Fig. 12

11. To adjust and secure the **Stationary Glass (02)** in place, install the **Bottom Bracket (14)** to the **Stationary glass**;

Drill the hole into the shower base or the threshold through oval notched hole in the **Bottom Bracket** using $\text{Ø } 1/8''$ drill bit.

Use the **Round head screws ST4.2×25 (15)** to attach the **Bottom Bracket** to the shower base or the threshold. Cover the screw head with **Decorative screw cap (16)**.

See Fig. 13 for details.

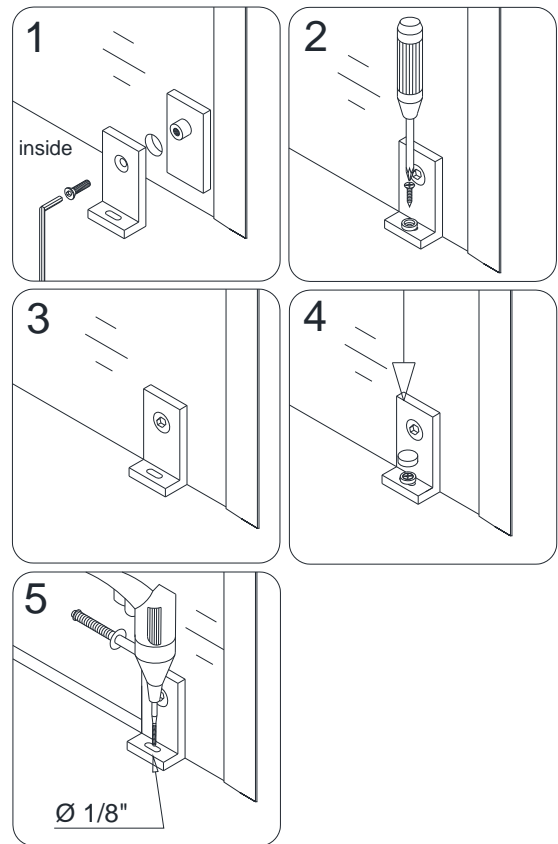


Fig. 13

ATTENTION:

If width of the Stationary glass (02) is 12" and over, Support bar* (11) must be installed for stability.

12. Locate the **Support bar* (11)**.

Adjust the **Support bar*** to a proper position on the **Stationary glass (02)** and the wall. Level it horizontally. Hold it firmly and outline the bracket's position on the wall. Remove the **Support bar*** and detach the wall bracket from it. Place the bracket against its outlined position on the wall and mark the drilling hole.

Drill the hole using $\text{Ø } 5/16''$ drill bit; insert the **Wall anchor* (12)** and fasten the bracket to the wall with the **Screw ST4.2×30* (15)**. Attach the **Support bar*** to the wall as shown on Fig 14.5 and tighten the set screws and the glass holding screw to secure the glass.

See Fig. 14 for details.

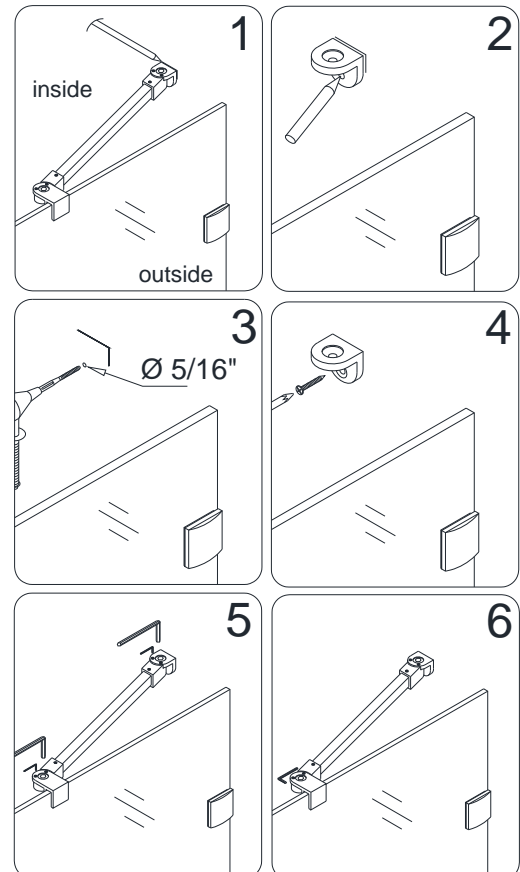


Fig. 14

13. Get three measurements:

- from the top edge of the **Glass door (01)** to the upper body of the top **Hinge (06)**;
- from the lower body of the upper **Hinge** to the upper body of the bottom **Hinge**;
- from the lower body of the bottom **Hinge** to 1/16" above the shower base.

Cut the **Side strip (07)** according to the measurements.

Notch the cut strips to be able to slide them into the **Hinge** to cover space to the wall.

Remove the timber plate, open the **Glass door** to its full section and press the cut strips on the vertical edge of the **Glass door**.

See Fig. 15 for details.

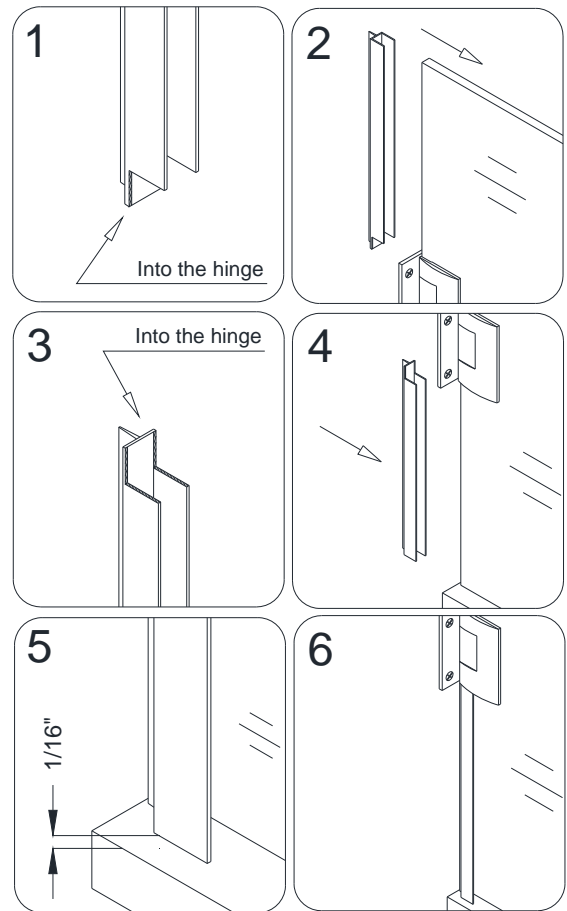


Fig. 15

14. Measure the bottom of the **Glass door (01)** from the **Side strip (07)** to the vertical edge on the **Handle (02)** side. Cut the **Bottom anti-water strip (08)** to the size of your measurement and notch 3/8" of the inner side of the **Bottom anti-water strip**.

NOTICE:

Make sure the **Handle** side of the **Glass door** tight to the **Anti-water strip (09)** along the vertical edge when the door is shut.

See Fig. 16 for details.

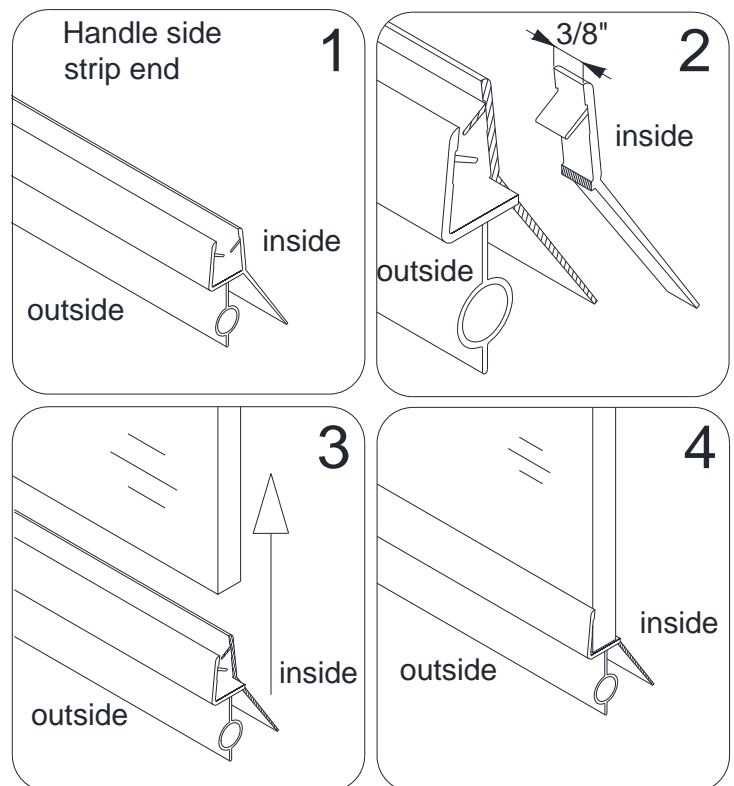


Fig. 16

15. Run a strip of masking tape along the connection of the **Stationary glass** with the wall and the Shower base or threshold for accurate job, leaving the gap of about 1/16". Apply a bead of Kitchen & Bath Waterproof silicone along the connection, run a wet finger along the line of sealant and remove the tape.
Let the silicone dry according its direction

See Fig. 17 for details.

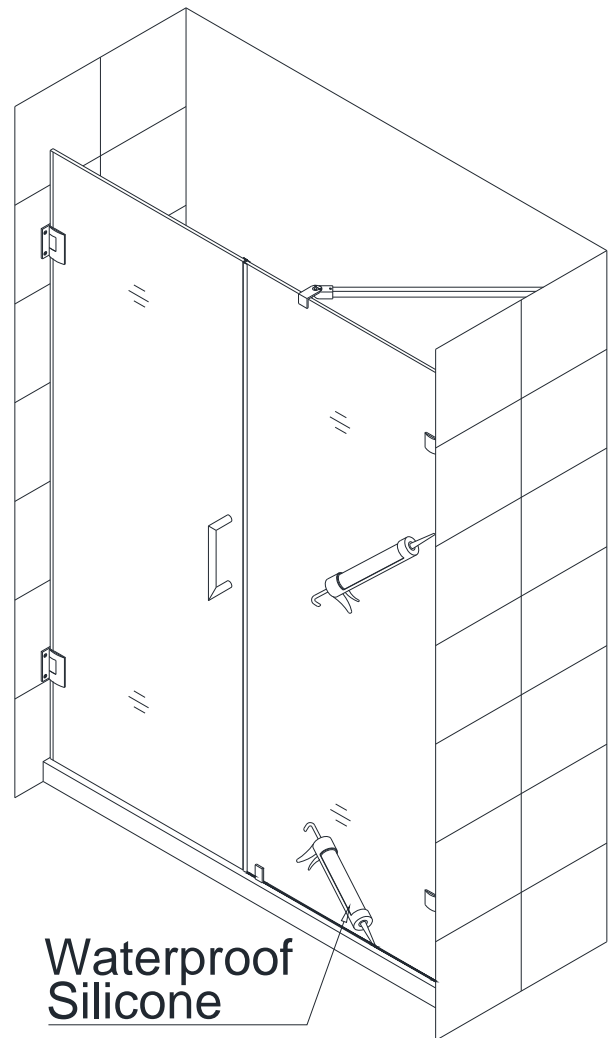


Fig. 17

Maintenance

To insure long lasting life for your acrylic back walls, wipe them off after each use with a soft cloth. To clean the acrylic back walls use non-abrasive sprays or cream based cleaners. Never use abrasive cleansers, metal brushes or scrapers that could scratch or dull the surface.

To insure long lasting life for your glass shower products, wipe them off after each use with a soft cloth. Rinse and wipe of the glass using either soft cloth or squeegee to prevent soap buildup. Never use abrasive cleaners and cleaning products that contain scoring agent because this may scratch the surface. Never use bristle brushes or abrasive sponges.

To assure a long lasting finish wipe off the metal parts after each use with a soft cloth. Do not use abrasive cleaners or cleaning products containing ammonia, bleach or acid. If accidentally used, rinse the surface as soon as possible to prevent finish peeling or corrosion. After cleaning the shiny finishes, rinse thoroughly and wipe dry with soft cloth. Clean stainless steel surfaces at least once a week. When applying stainless steel cleaner or polish, work with (not across) the grain. Never use abrasive sponge or cloth, steel wool or wired brushes.



DREAMLINE LIMITED WARRANTY

Bath Authority LLC's ("DreamLine") exclusive written warranty effective April 2, 2012

This warranty extends only to the original owner/end-user for household use only and is not transferable to a subsequent owner. This warranty applies only to DreamLine™ products purchased from an authorized dealer and installed in United States or Canada. Proof of purchase (original sales receipt) must be provided with all warranty claims. **In no event shall the liability of DreamLine™ exceed the purchase price of the unit.**

If DreamLine™ shower & tub doors, shower enclosures and shower bases are used commercially, DreamLine™ warrants such products to be free from defects in material and workmanship for one (1) year from initial date of purchase from an authorized dealer, with all other terms of this warranty applying except duration. If DreamLine™ vanities, vessel sinks and shower columns are used commercially, DreamLine™ warrants such products to be free from defects in material and workmanship for three (3) months from initial date of purchase from an authorized dealer, with all other terms of this warranty applying except duration. **DreamLine™ Jetted and Steam Shower Cabins are not intended for commercial use and there is no warranty extended for these products for commercial use.**

DreamLine™ hereby disclaims all warranties for products sold as dealer or store displays. DreamLine™ hereby disclaims all warranties for products used outside of the United States or Canada whether expressed or implied, including but not limited to the implied warranties of merchantability and fitness for a particular purpose.

DreamLine™ will, at its election, repair, replace with product of equal value or make appropriate adjustment where DreamLine's analysis or inspection of warranty claim discloses any such defects occurring in normal usage within the warranty period. DreamLine warranty obligation shall be discharged upon tender of replacement or repair. Purchaser's refusal to accept the tender terminates warranty obligation.

Cost of freight for returning products to DreamLine™ for repairs or replacement under this limited warranty are the responsibility of the customer. Cost of freight associated with shipping of replacement product or parts to the customer may be charged to customer. Any product replaced or repaired during the warranty period will be covered only for the remaining period of the original warranty. In no event will DreamLine be liable for costs of repair or replacement of any installation material, including but not limited to tiles, marble, etc. **DreamLine™ is not responsible for installation, removal or reinstallation costs of any product requiring warranty services.**

Improper modification or alteration of any DreamLine™ products will void the warranty. DreamLine product installations and repairs must be performed by either a DreamLine authorized agent or a licensed experienced professional contractor - installation or repairs performed by any other party shall void the warranty. This warranty shall not apply to breakage or damages caused by normal wear and tear, fault, carelessness, abuse, misuse, misapplication, improper maintenance, alteration or modification of the unit, as well as chemical or natural corrosion, accident, fire, flood, act of God or any other casualty. Improper care and cleaning will void the warranty. Use of cleaners containing abrasive cleansers, ammonia, bleach, acids, waxes, alcohol, solvents or other products not recommended for chrome or similar finish, glass or acrylic will void the warranty. For additional product maintenance instructions please refer to product installation manual. DreamLine™ is not responsible for any issues arising in connection with errors or omissions in information provided on DreamLine's websites. The warranty does not extend to any non-DreamLine™ plumbing or components installed by installers, end users or by any party other than DreamLine™.

THE FOREGOING WARRANTIES ARE IN LIEU OF ALL OTHER WARRANTIES, EXPRESSED OR IMPLIED, INCLUDING BUT NOT LIMITED TO THE IMPLIED WARRANTIES OF MERCHANTABILITY AND FITNESS FOR A PARTICULAR PURPOSE. BATH AUTHORITY LLC ("DREAMLINE") AND/OR SELLER DISCLAIM ALL LIABILITY FOR SPECIAL, INCIDENTAL OR CONSEQUENTIAL DAMAGES. DREAMLINE™ IS NOT LIABLE FOR PERSONAL INJURIES OR DEATH TO ANY PERSON OR FOR ANY DIRECT, SPECIAL, INCIDENTAL OR CONSEQUENTIAL DAMAGE, LOSS OF USE, LOSS OF TIME, LOSS OF PROFITS, INCONVENIENCE, INCIDENTAL EXPENSES, LABOR OR MATERIAL CHARGES, OR ANY OTHER COSTS RESULTING FROM THE USE OF ITS PRODUCTS OR PERTAINING TO THE APPLICATION OF THE PRESENT WARRANTY, OR RESULTING FROM THE REMOVAL OR REPLACEMENT OF ANY PRODUCT OR ELEMENT OR PART COVERED BY THIS WARRANTY.



DreamLine™ is not responsible for product code compliance or for verifying building code restrictions on installation or use and any such compliance is excluded from this warranty. DreamLine™ reserves the right to modify this warranty at any time - such warranty modification will not alter warranty applicable at the time of sale of the products in question. The warranty terms for specific products are:

SHOWER & TUB DOORS, SHOWER ENCLOSURES AND SHOWER BASES

DreamLine™ warrants shower & tub doors, shower enclosures and shower bases to be free from defects in workmanship and materials under normal residential use for a period of five (5) years from the initial date of purchase by the owner/end-user, contractor or builder from an authorized dealer.

SHOWER CABINS (JETTED & STEAM)

DreamLine™ warrants glass, acrylic and finish to be free from defects in workmanship for a period of five (5) years from initial date of purchase by the owner/end-user, contractor or builder from an authorized dealer; and plumbing, electrical and steam generator components for a period of one (1) year from the initial date of purchase by the owner/end-user, contractor or builder from an authorized dealer.

SHOWER COLUMNS

DreamLine™ warrants shower columns to be free from defects in workmanship and materials under normal residential use for a period of one (1) year from the initial date of purchase by the owner/end-user, contractor or builder from an authorized dealer.

VANITIES AND VESSEL SINKS

DreamLine™ warrants bathroom vanities and vessel sinks to be free from defects in workmanship and materials under normal residential use for a period of one (1) year from the initial date of purchase by the owner/end-user, contractor or builder from an authorized dealer.

Some states/provinces do not allow limitations on how long an implied warranty lasts, or the exclusion or limitation of special, incidental or consequential damages, so these limitations and exclusions may not apply to you. This warranty gives you specific legal rights. You may also have other rights, which vary from state/province to state/province.



TEL: [866-731-2244](tel:866-731-2244)

FAX: [866-227-1533](tel:866-227-1533)

www.BATHAUTHORITY.COM

For more information on [DreamLine™ Shower Doors](http://www.BathAuthority.com) please visit www.BathAuthority.com