

**INSTRUCTION MANUAL ENCLOSED**

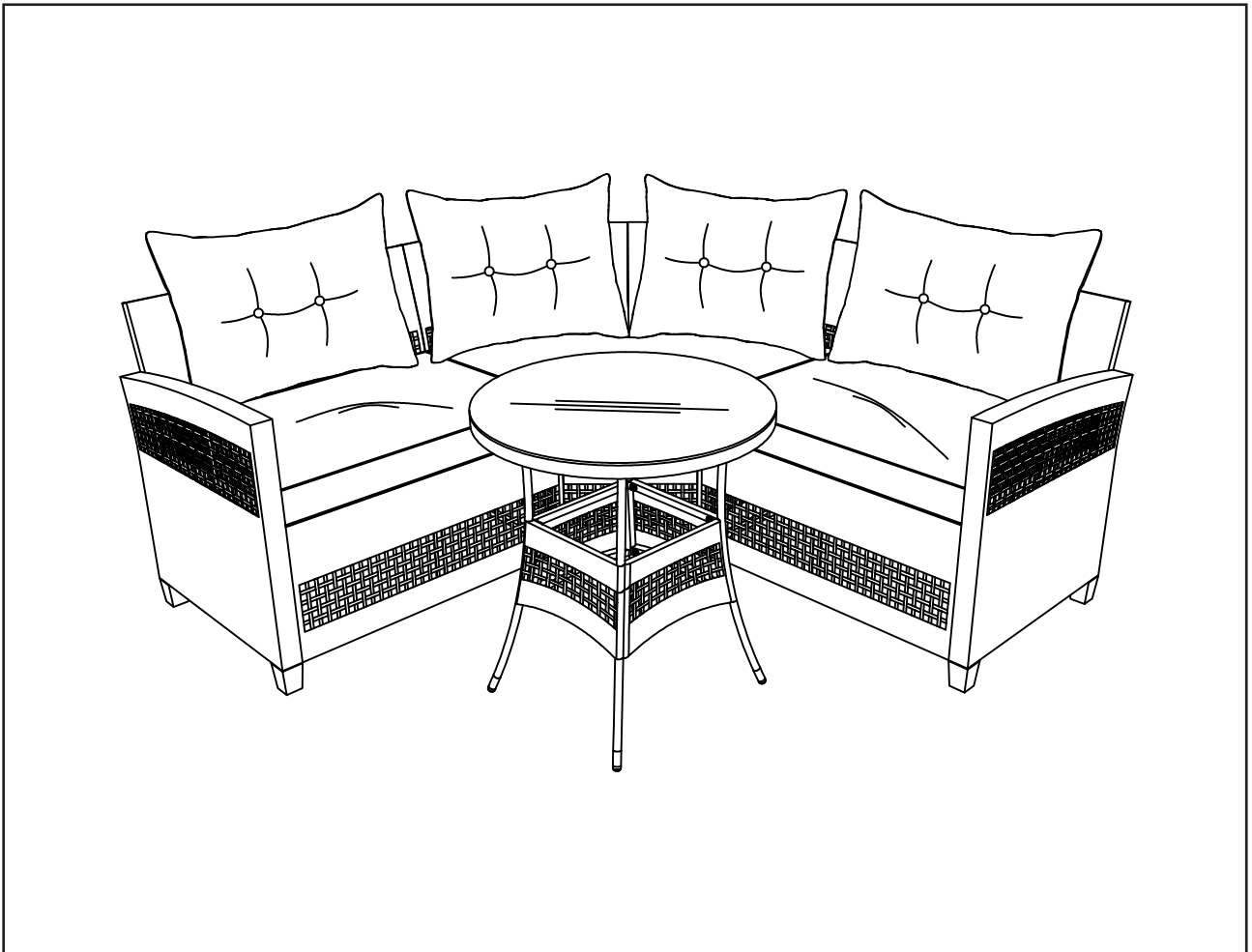
**ATTENTION**

**IF YOU HAVE ANY PROBLEMS OR QUESTIONS, EMAIL OR CALL  
CUSTOMER SERVICE BEFORE YOU RETURN THIS PRODUCT TO THE  
STORE WHERE IT WAS PURCHASED.**

**\*\*When emailing Customer Service, please include your **Order Number** and **platform of purchase** in the email subject for quicker assistance.**


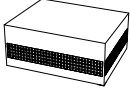
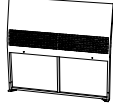
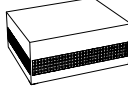




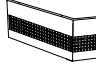

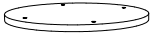
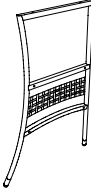
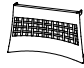

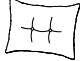
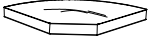

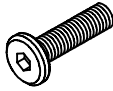
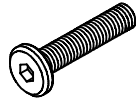
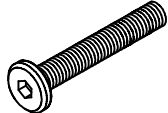
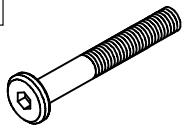
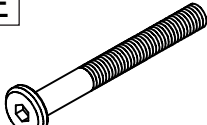

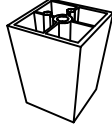
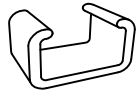
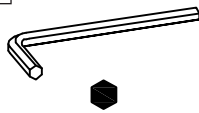
**INSTRUCTION MANUAL ENCLOSED**

ASSEMBLY INSTRUCTION



# PARTS LIST

<b>Part</b>	<b>Description</b>	<b>Quantity</b>
<b>PARTS</b>		
1	Right arm	1
2	Right seat base	1
3	Backrest	2
4	Left seat base	1
5	Left arm	1
6	Right curved backrest	1
7	Left curved backrest	1
8	Middle seat	1
9	Front right panel	1
10	Front left panel	1
11	Round table	1
12	Table leg frame	2
13	Table brace	2
14	Side cushion	2
15	Pillow	4
16	Middle cushion	1
17	Glass tabletop	1
<b>HARDWARE</b>		
A	Bolt M6x25 mm	14
B	Bolt M6x35 mm	16
C	Bolt M6x45 mm	9
D	Bolt M6x55 mm	13
E	Bolt M6x70 mm	2
F	Washer Ø6x14x1 mm	41
G	Plastic leg 45x45x65 mm	13
H	Connection 60x40x30 mm	4
K	Allen key 4x98 mm	2

1  x1	2  x1	3  x2	4  x1	5  x1
6  x1	7  x1	8  x1	9  x1	10  x1
11  x1	12  x2	13  x2	14  x2	15  x4
16  x1	17  x1	A  M6×25 mm x14	B  M6×35 mm x16	C  M6×45 mm x9
D  M6×55 mm x13	E  M6×70 mm x2	F  Ø14×1 mm x41	G  45×45×65 mm x13	H  60×40×30 mm x4
K  x2 4 mm				

## PLEASE READ AND FOLLOW ALL SAFETY TIPS

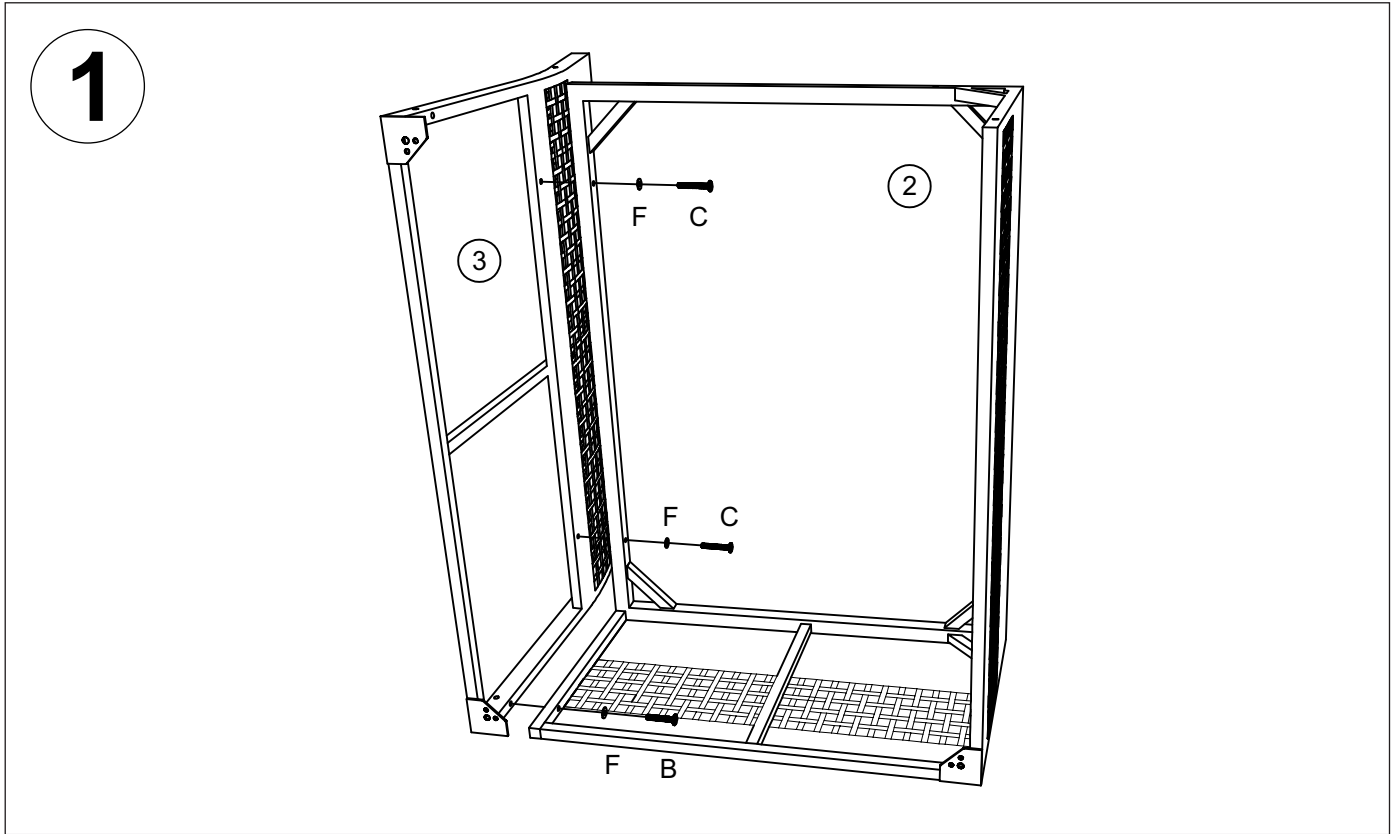
### GETTING STARTED

1. Before assembly, CAREFULLY use scissors or utility knife to cut and unwrap all parts. Make sure you do not discard the hardware.
2. Make sure that you have all the parts listed. If you are missing any parts, please email us. Please identify the parts you need and model number. Make sure to include your name and address.
3. Please include your **Order Number** and **platform of purchase** in the email subject, and one of our customer service representative will get back to you.

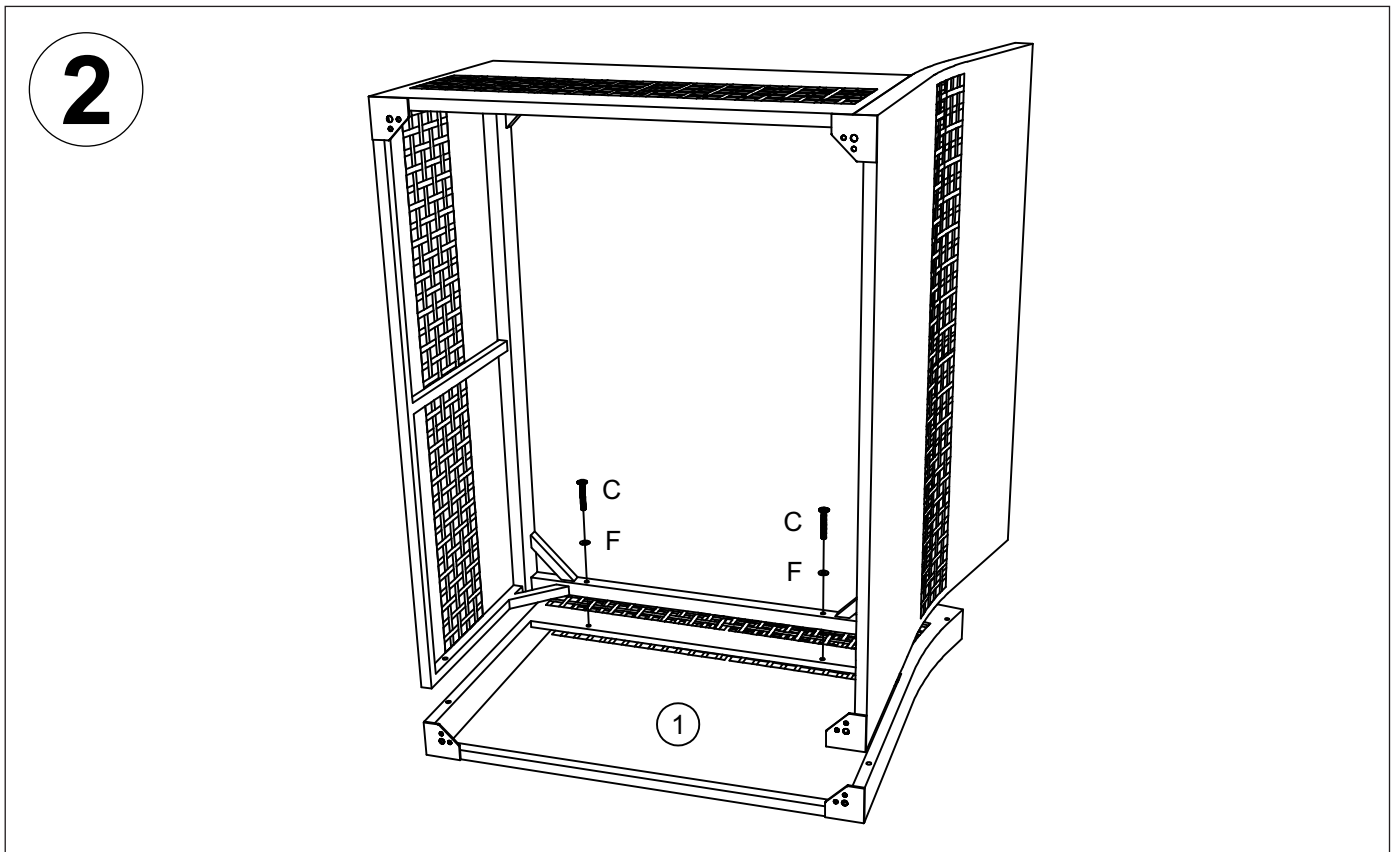
### Warm Tips:

1. The plastic covers on some metal parts are just for product protection. Please remove it before assembly.
2. Please follow the sequence of AI during assembly.
3. Do not tighten the screws until all of them are in right positions.

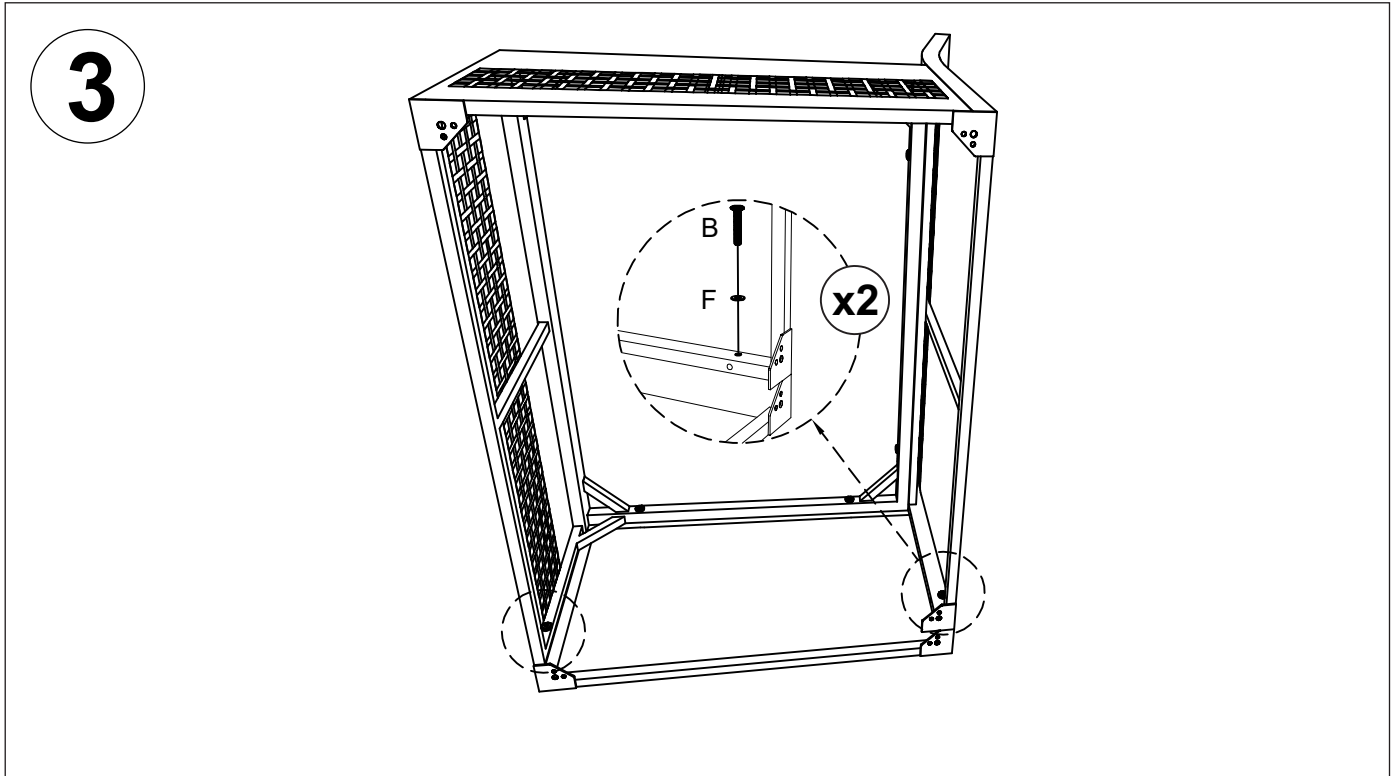
1. Locate 1 right seat base (2) to 1 backrest (3) by the pre-drilled threads.  
Use Allen Key (K) to tighten Bolts (C), (B) and Washers (F).  
Note: only tighten 80% (Photo 1).



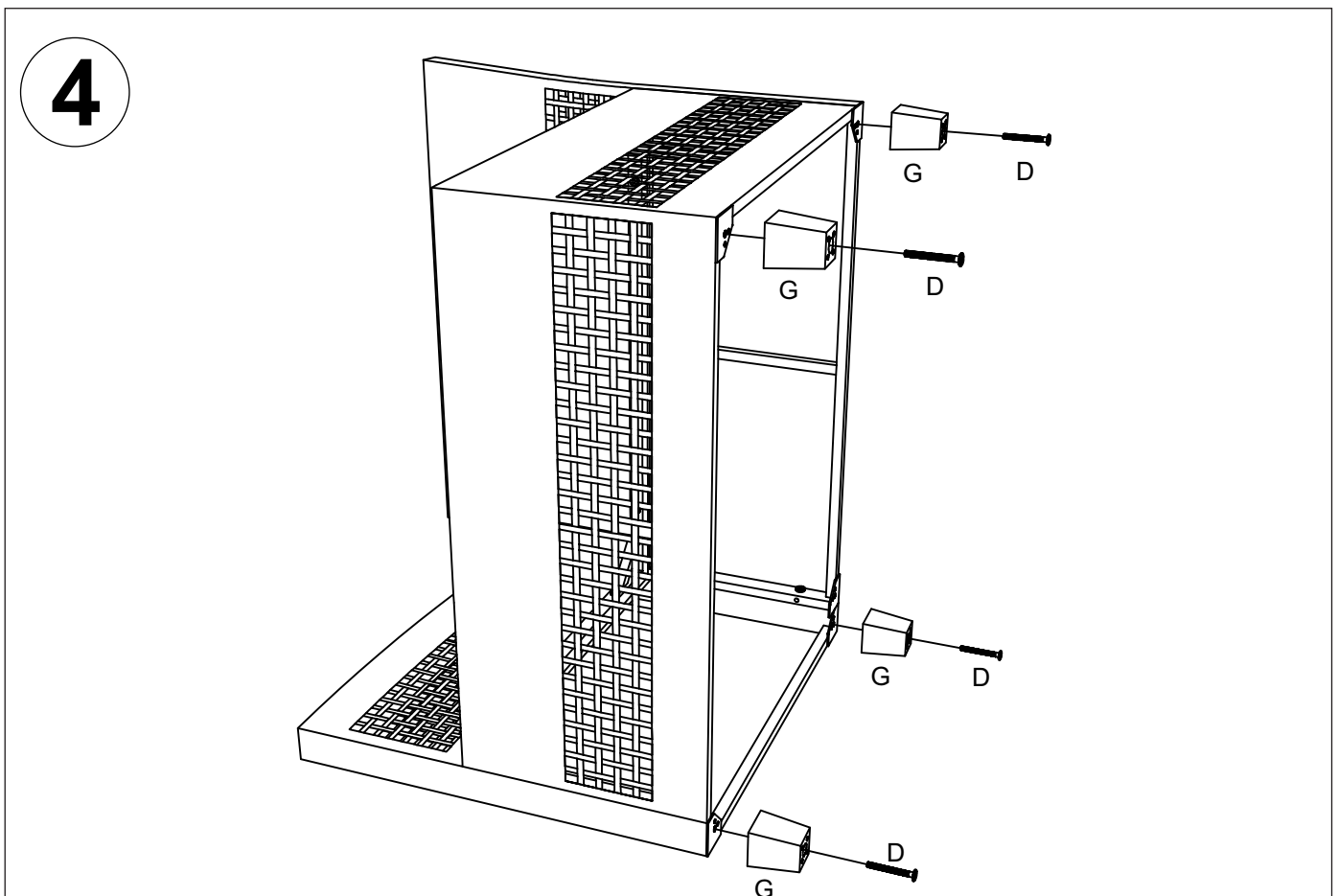
2. Locate the assembly installed in step (1) to 1 right arm (1) by the pre-drilled threads.  
Use Allen Key (K) to tighten Bolts (C) and Washers (F).  
Note: only tighten 80% (Photo 2).



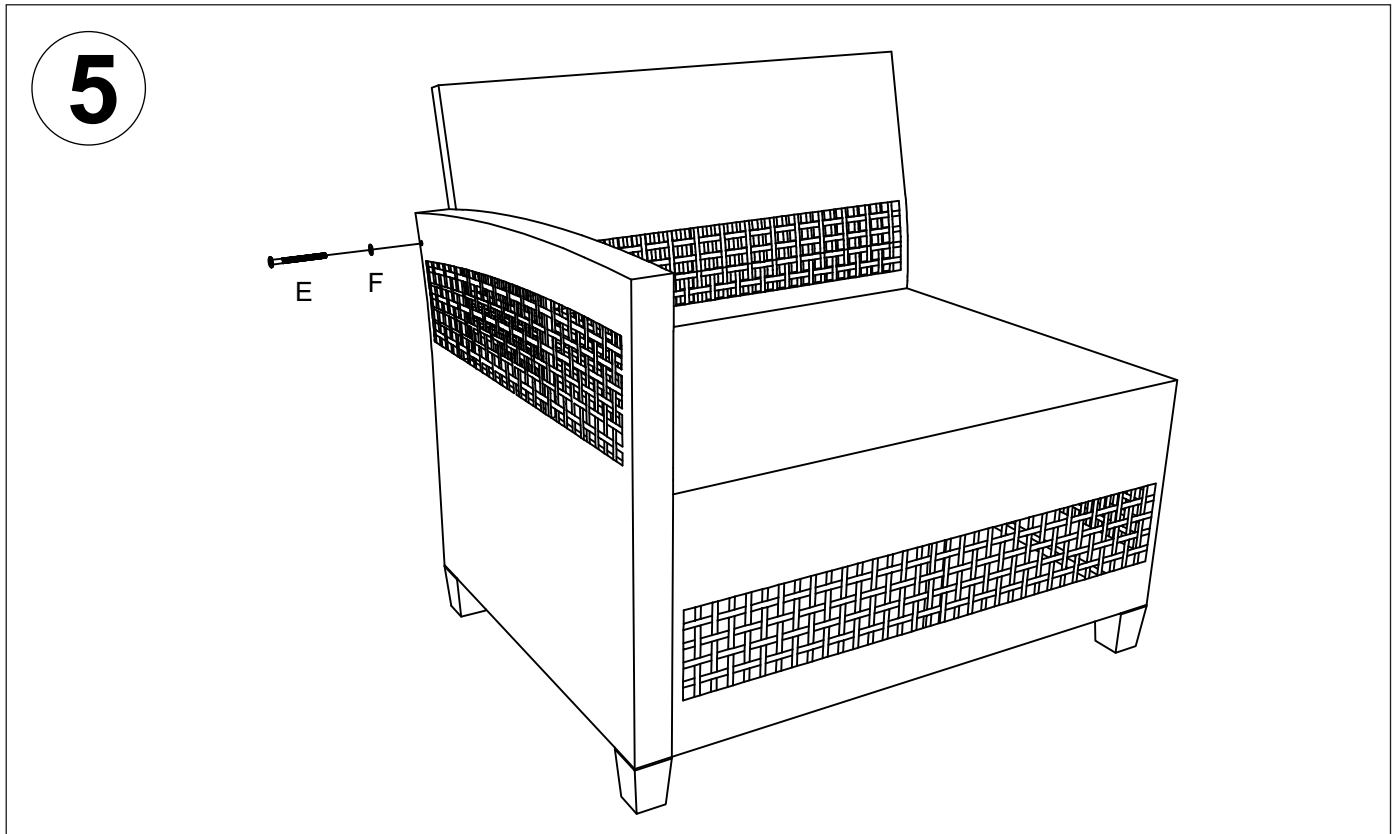
3. Continue with the assembly installed in step (2) as shown in the picture.  
Use Allen Key (K) to tighten Bolts (B) and Washers (F).  
Note: only tighten 80% (Photo 3).



4. Use Allen Key (K) to fasten Bolts (D) with Plastic leg (G). Should have 4 bolts fastened.  
Note: only tighten 100% (Photo 4).



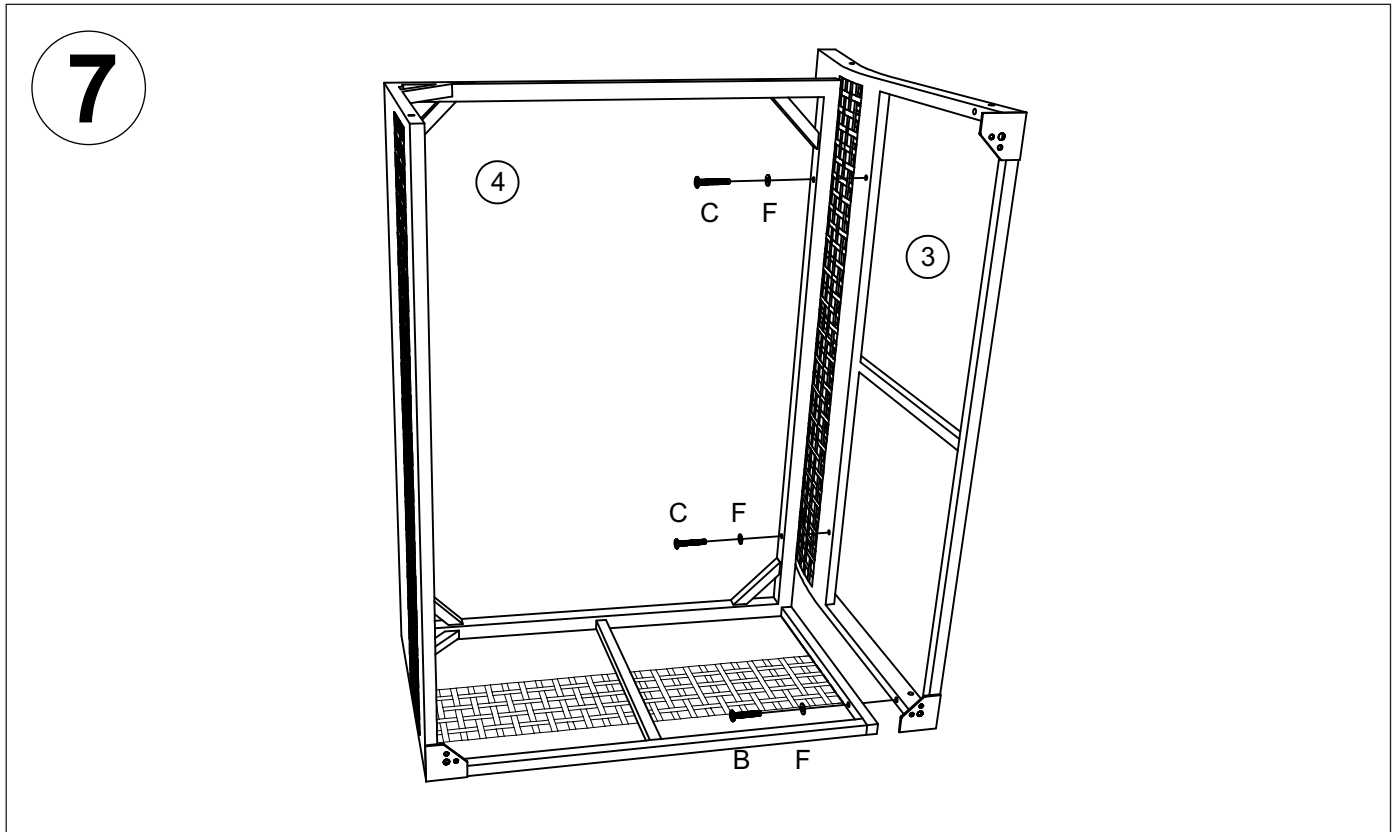
5. Locate right arm (1) to the backrest (3) by the pre-drilled threads.  
Use Allen Key (K) to tighten Bolts (E) and Washers (F).  
Note: only tighten 80% (Photo 5).



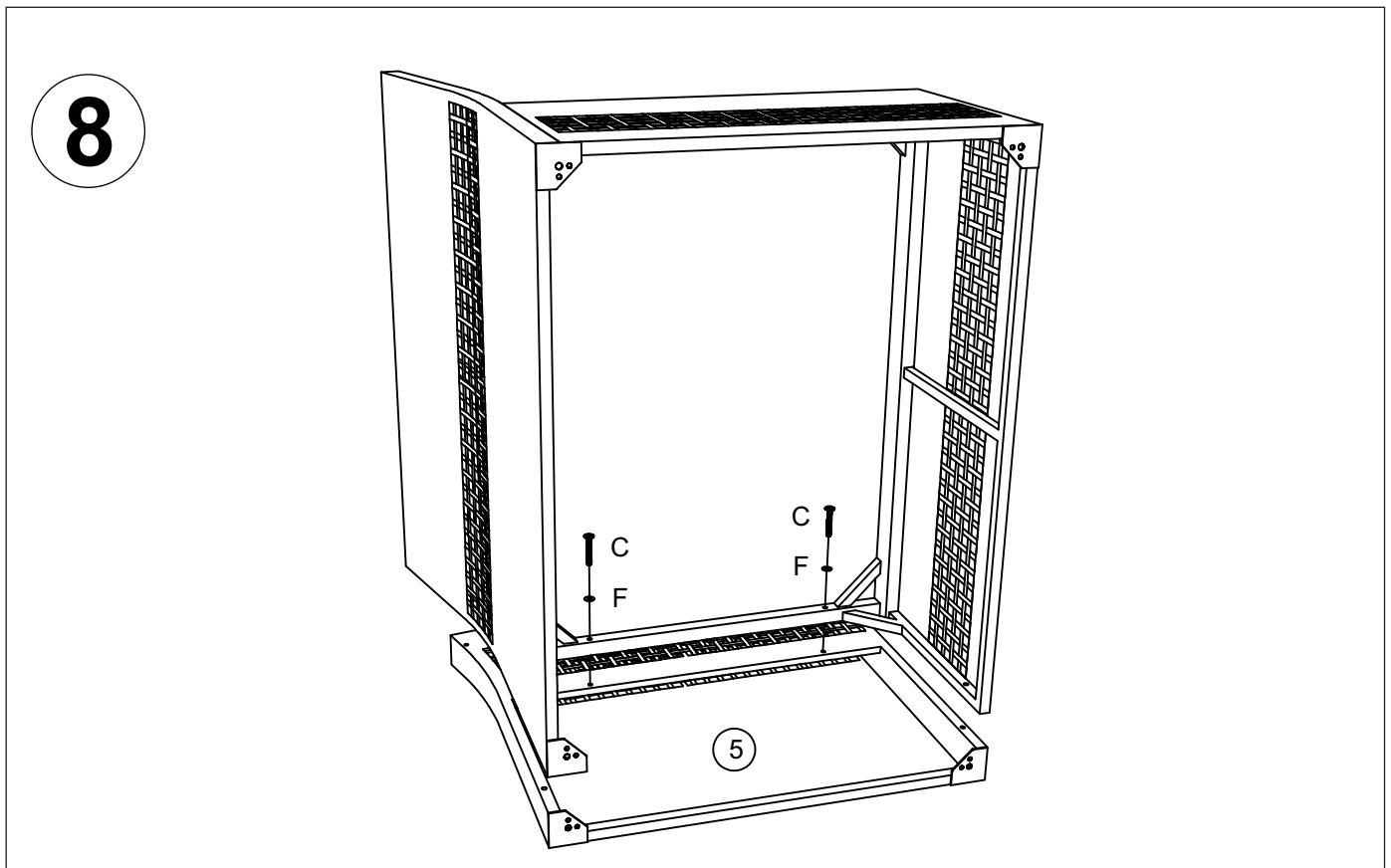
6. Use Allen Key (K) to tighten all Bolts 100% (Photo 6).



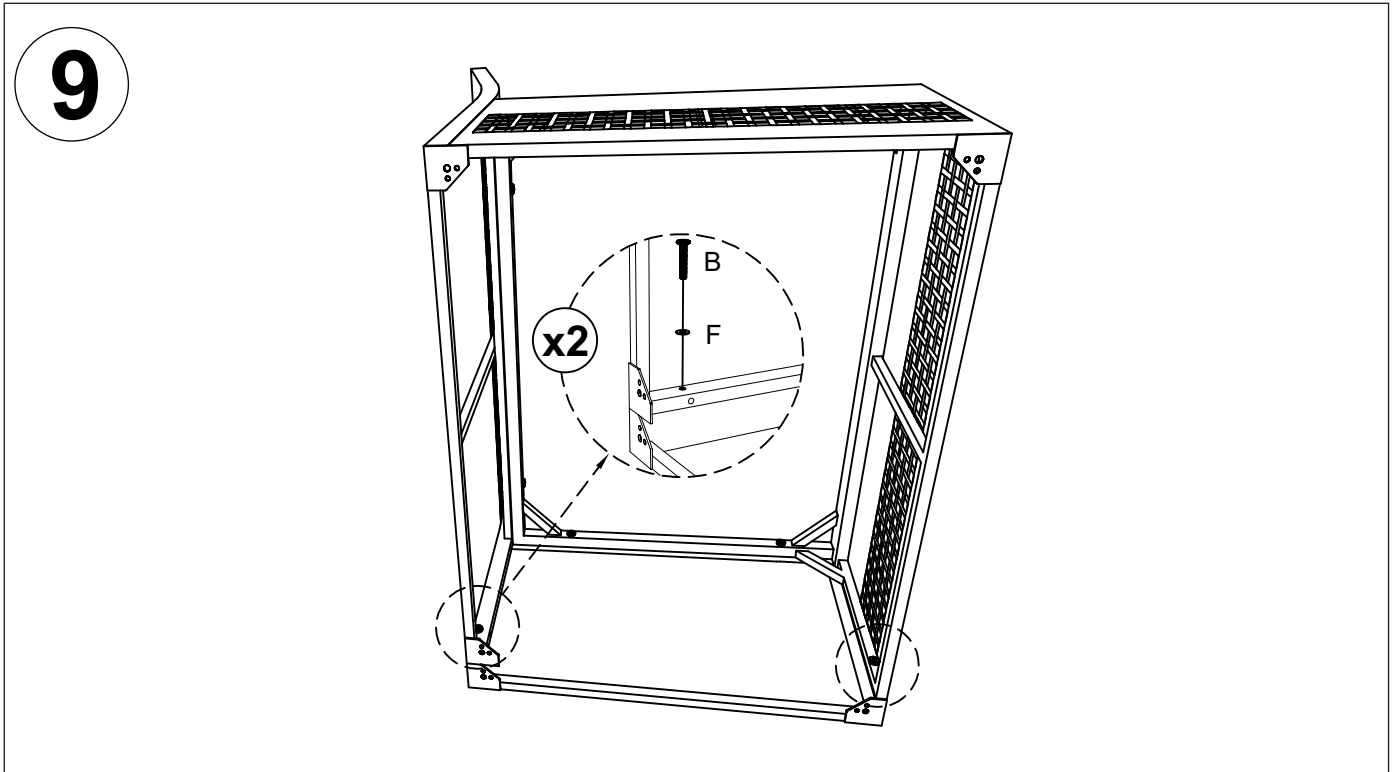
7. Locate 1 left seat base (4) to 1 backrest (3) by the pre-drilled threads.  
Use Allen Key (K) to tighten Bolts (C), (B) and Washers (F).  
Note: only tighten 80% (Photo 7).



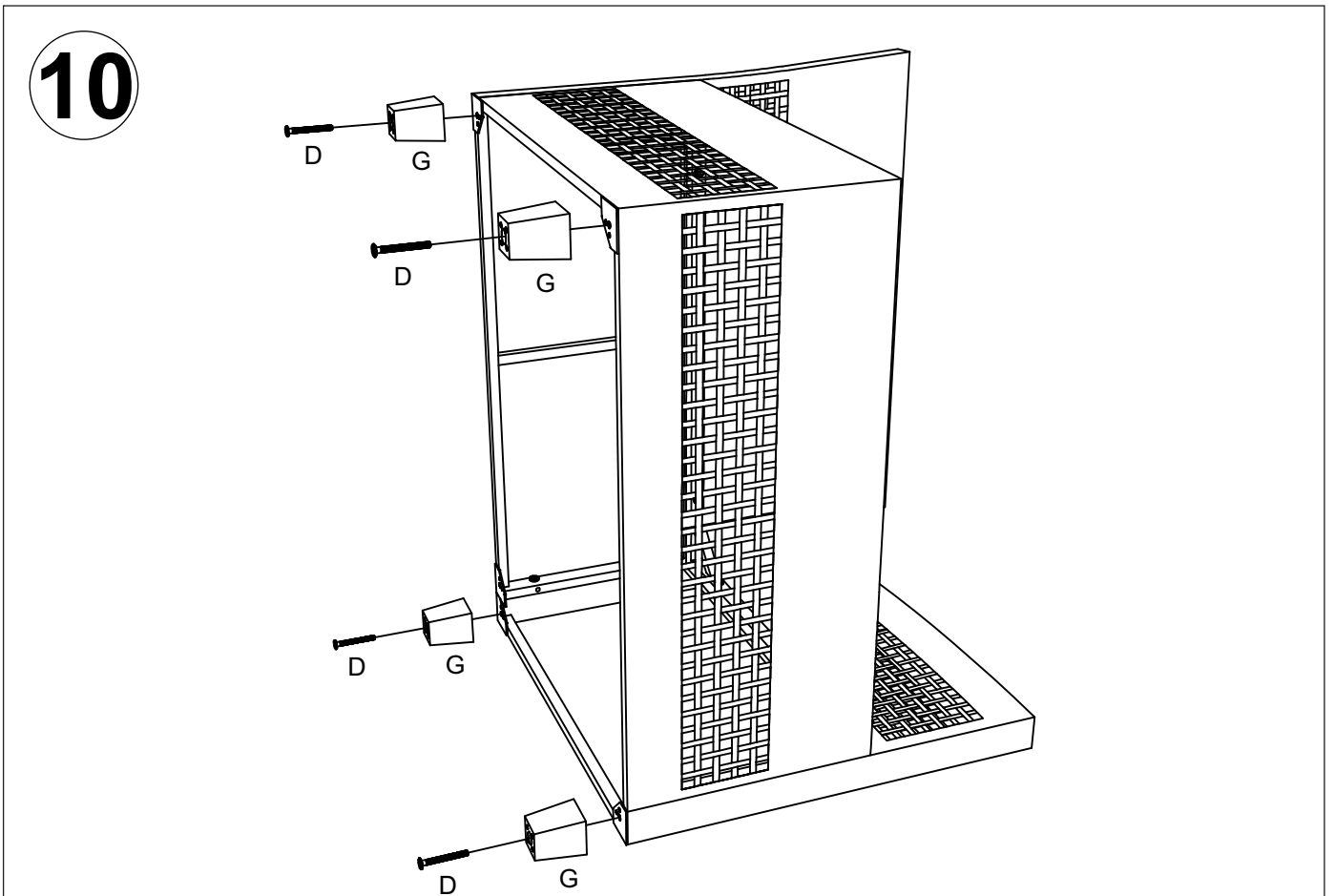
8. Locate the assembly installed in step (7) to 1 left arm (5) by the pre-drilled threads.  
Use Allen Key (K) to tighten Bolts (C) and Washers (F).  
Note: only tighten 80% (Photo 8).



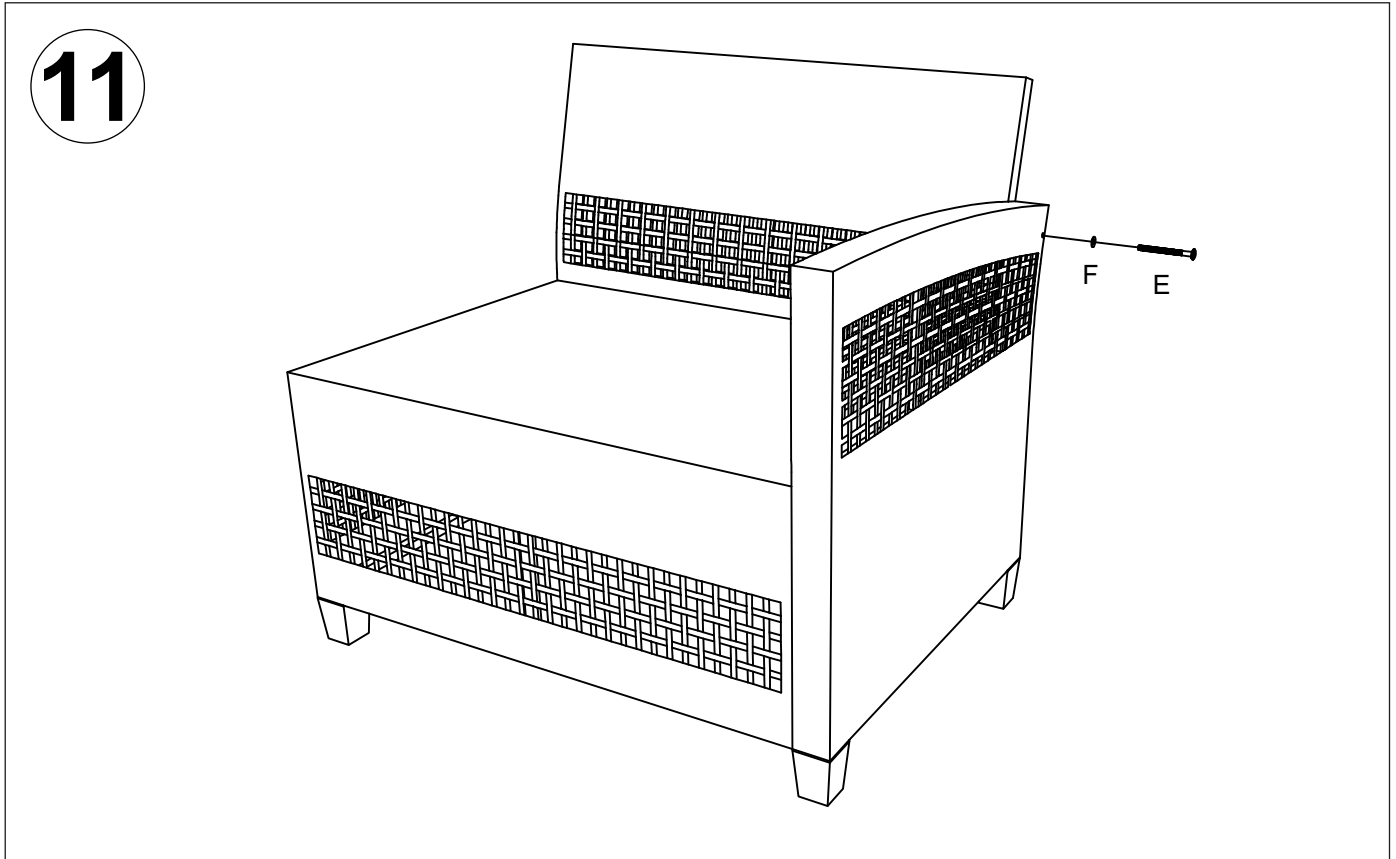
9. Continue with the assembly installed in step (8) at the positions where bolts need to be attached as shown in the picture. Use Allen Key (K) to tighten Bolts (B) and Washers (F).  
Note: only tighten 80% (Photo 9).



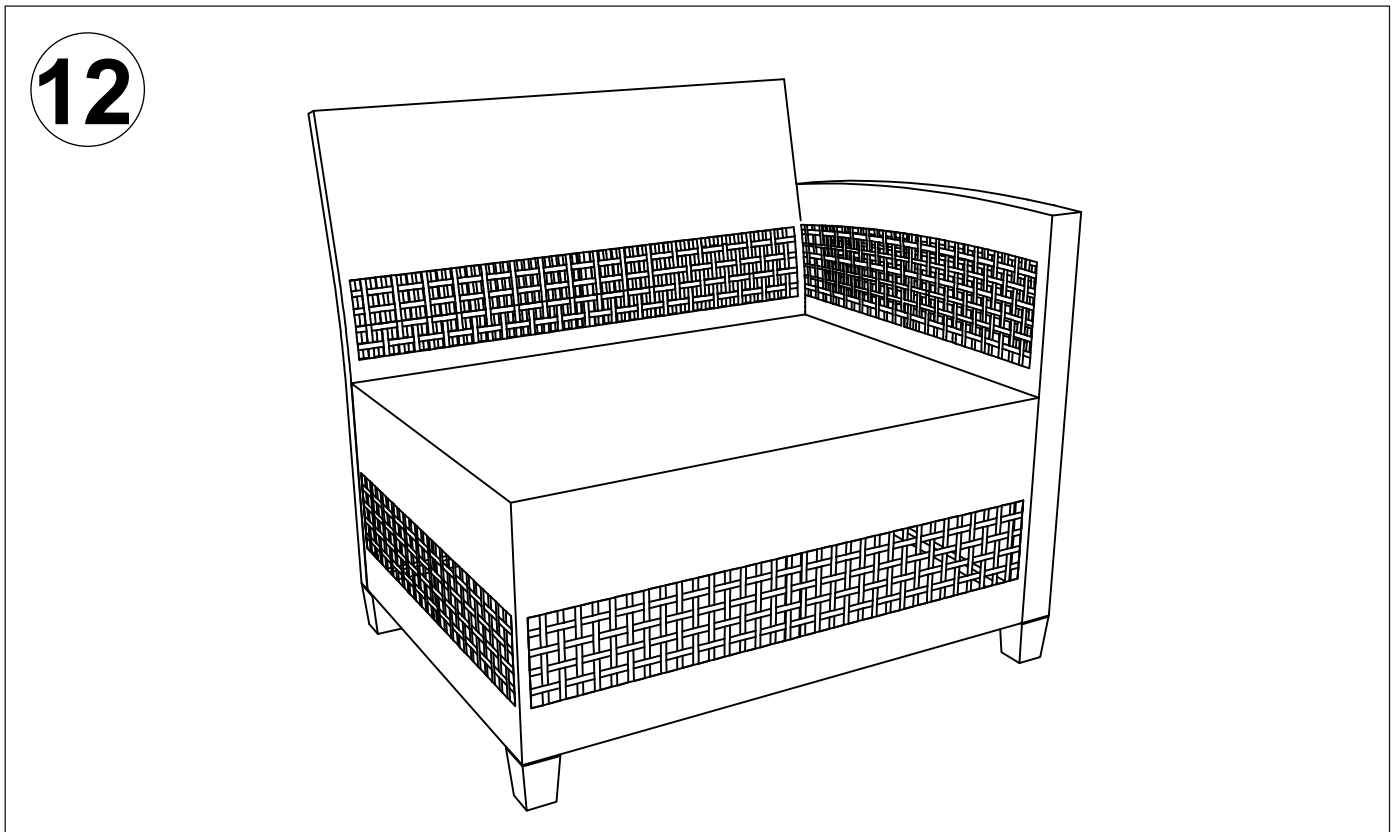
10. Use Allen Key (K) to fasten Bolts (D) with Plastic leg (G). Should have 4 bolts fastened.  
Note: tighten 100% (Photo 10).



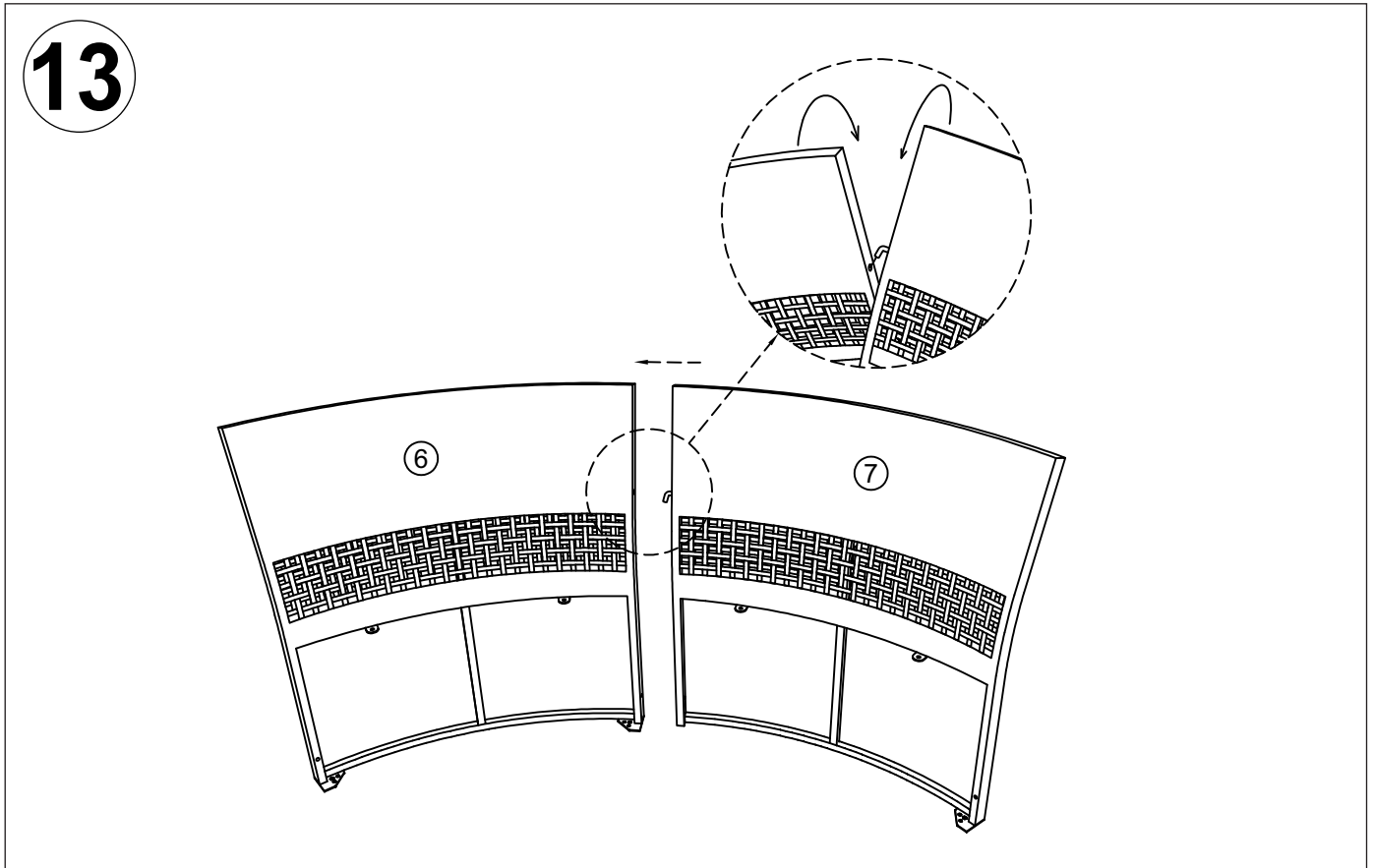
11. Locate left arm (5) to the backrest (3) by the pre-drilled threads.  
Use Allen Key (K) to tighten Bolts (E) and Washers (F).  
Note: only tighten 80% (Photo 11).



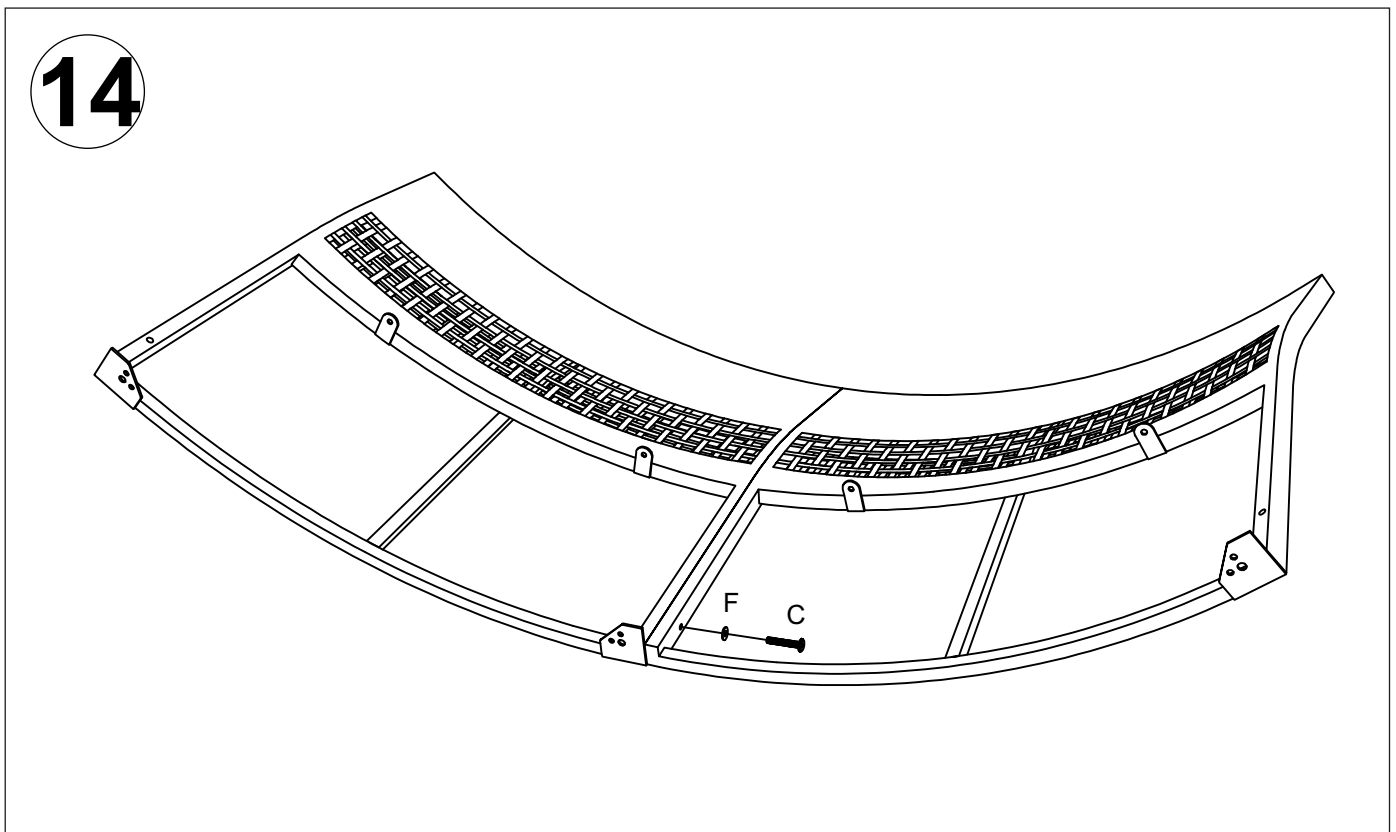
12. Use Allen Key (K) to tighten all Bolts 100% (Photo 12).



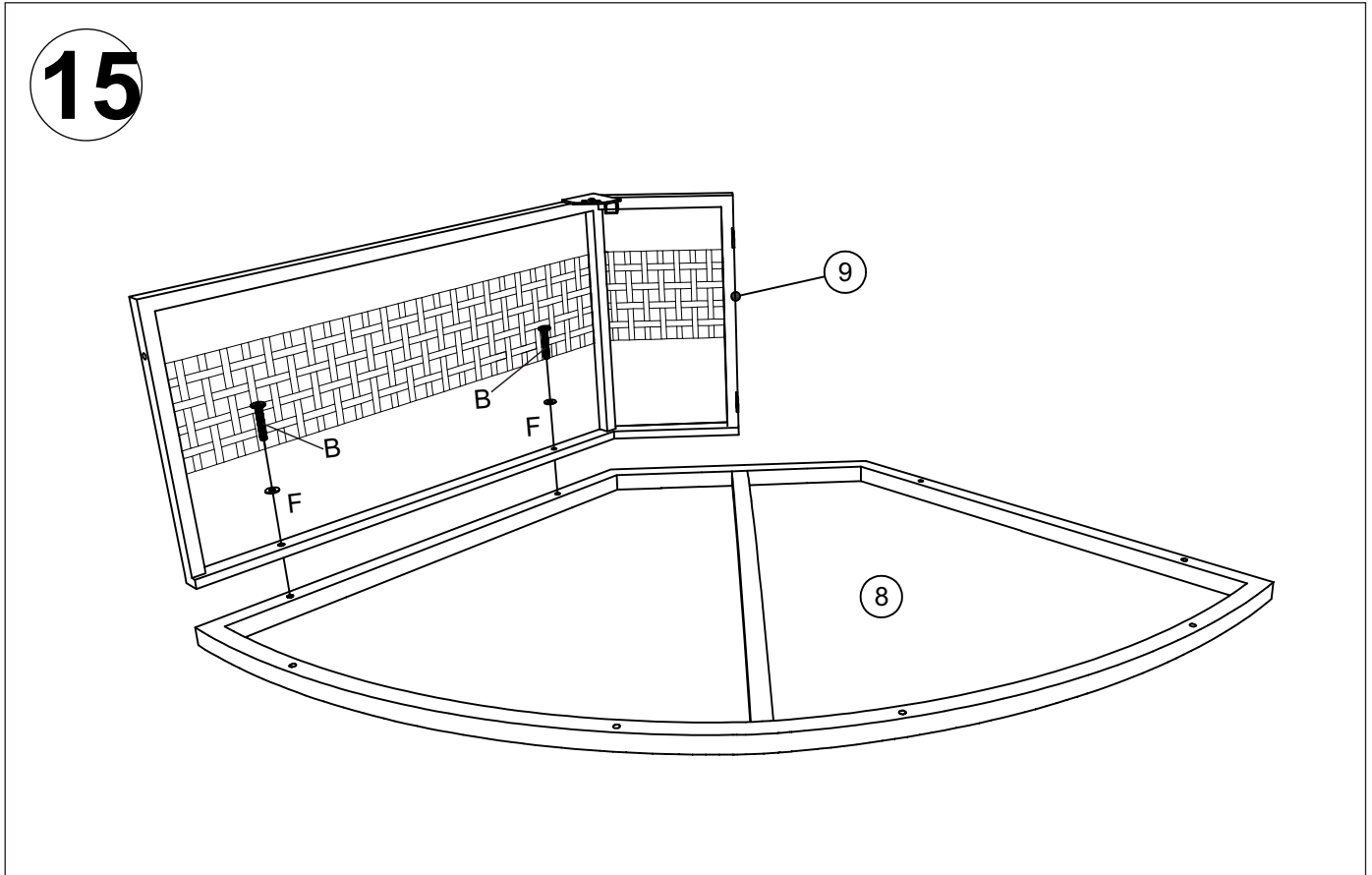
13. Locate left curved backrest (7) to the right curved backrest (6) as shown in the picture (Photo 13).



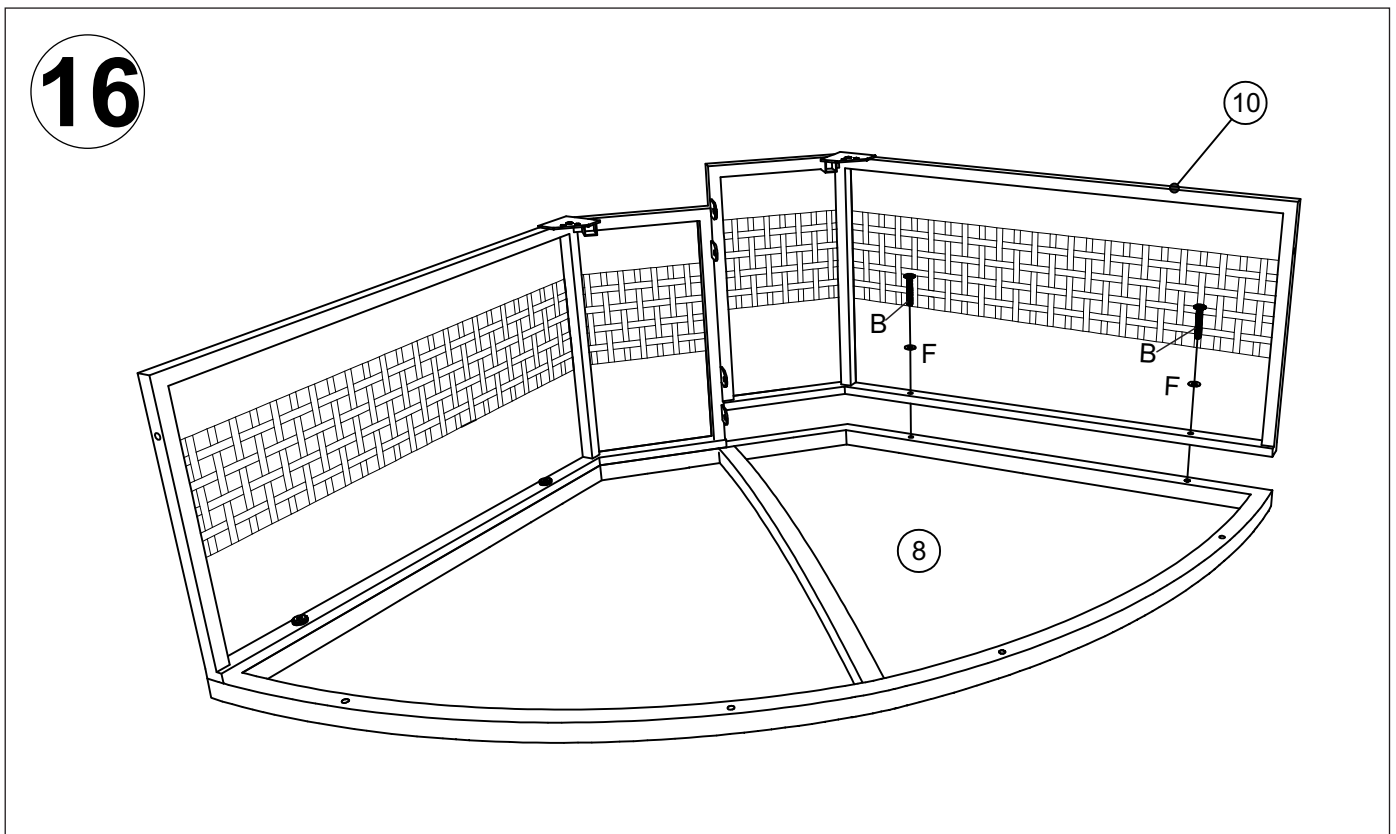
14. Use Allen Key (K) to tighten Bolt (C) and Washer (F).  
Note: only tighten 80% (Photo 14).



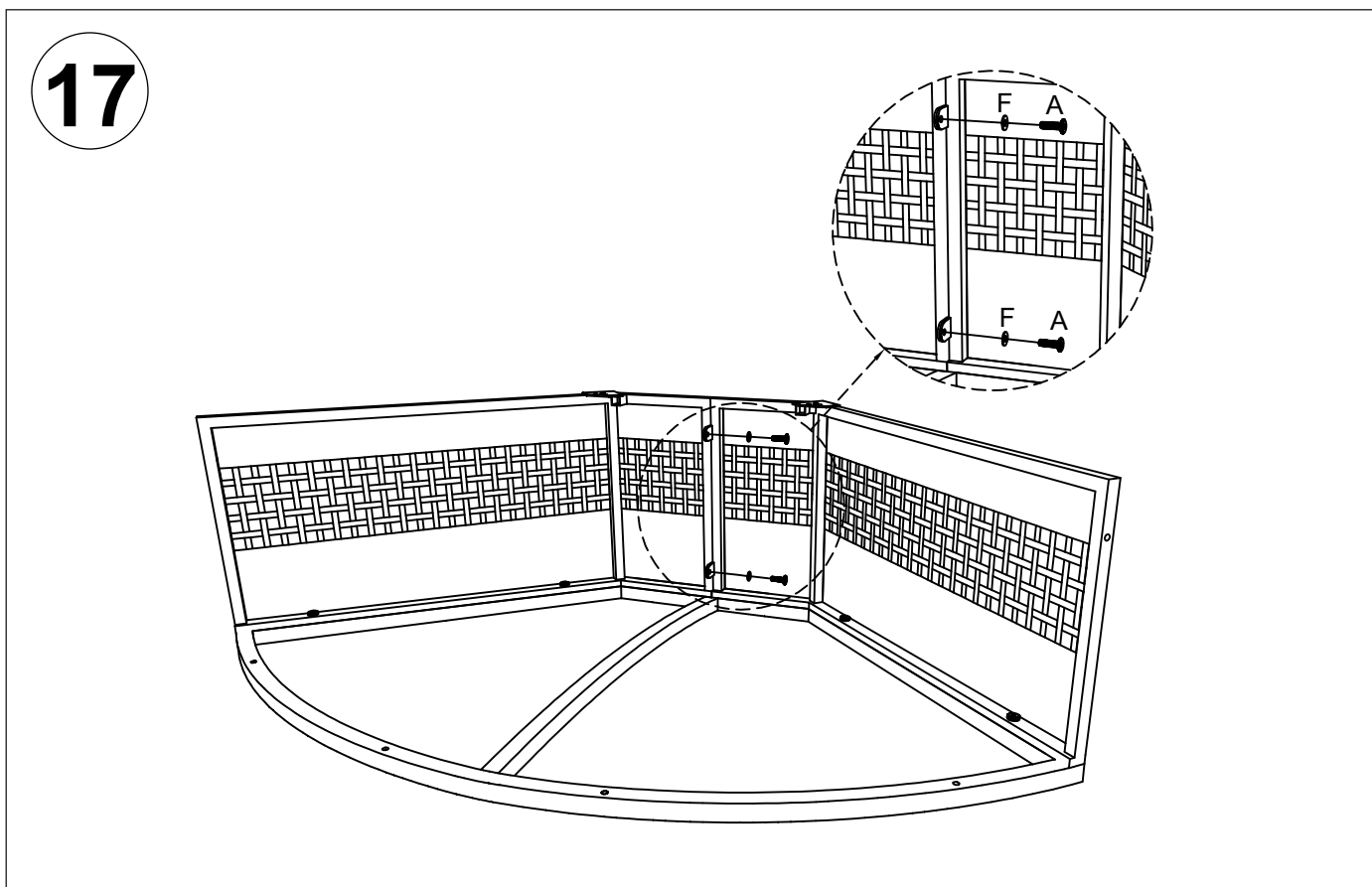
15. Locate front right panel (9) to the middle seat (8) by the pre-drilled threads.  
Use Allen Key (K) to tighten Bolts (B) and Washers (F).  
Note: only tighten 80% (Photo 15).



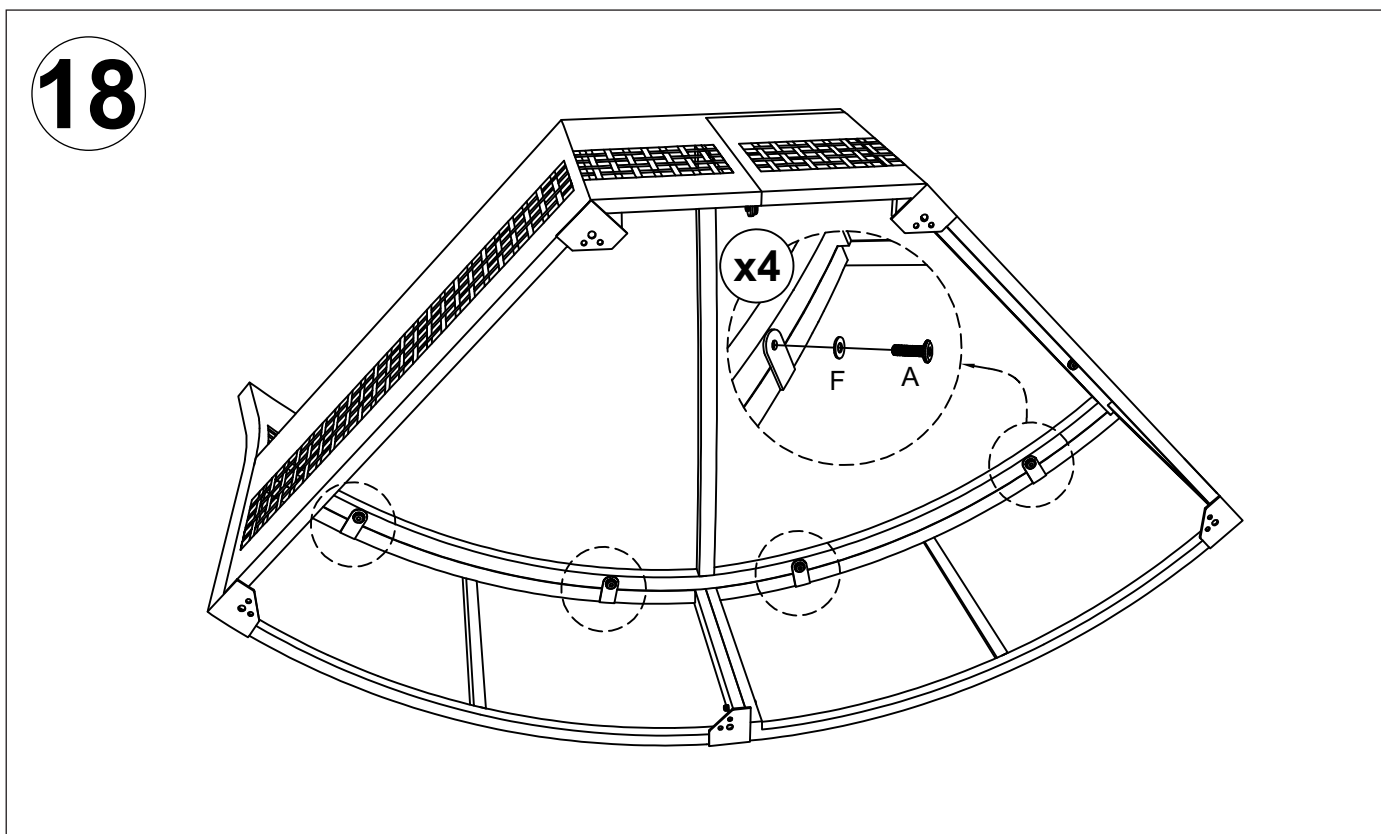
16. Locate front left panel (10) to the middle seat (8) by the pre-drilled threads.  
Use Allen Key (K) to tighten Bolts (B) and Washers (F).  
Note: only tighten 80% (Photo 16).



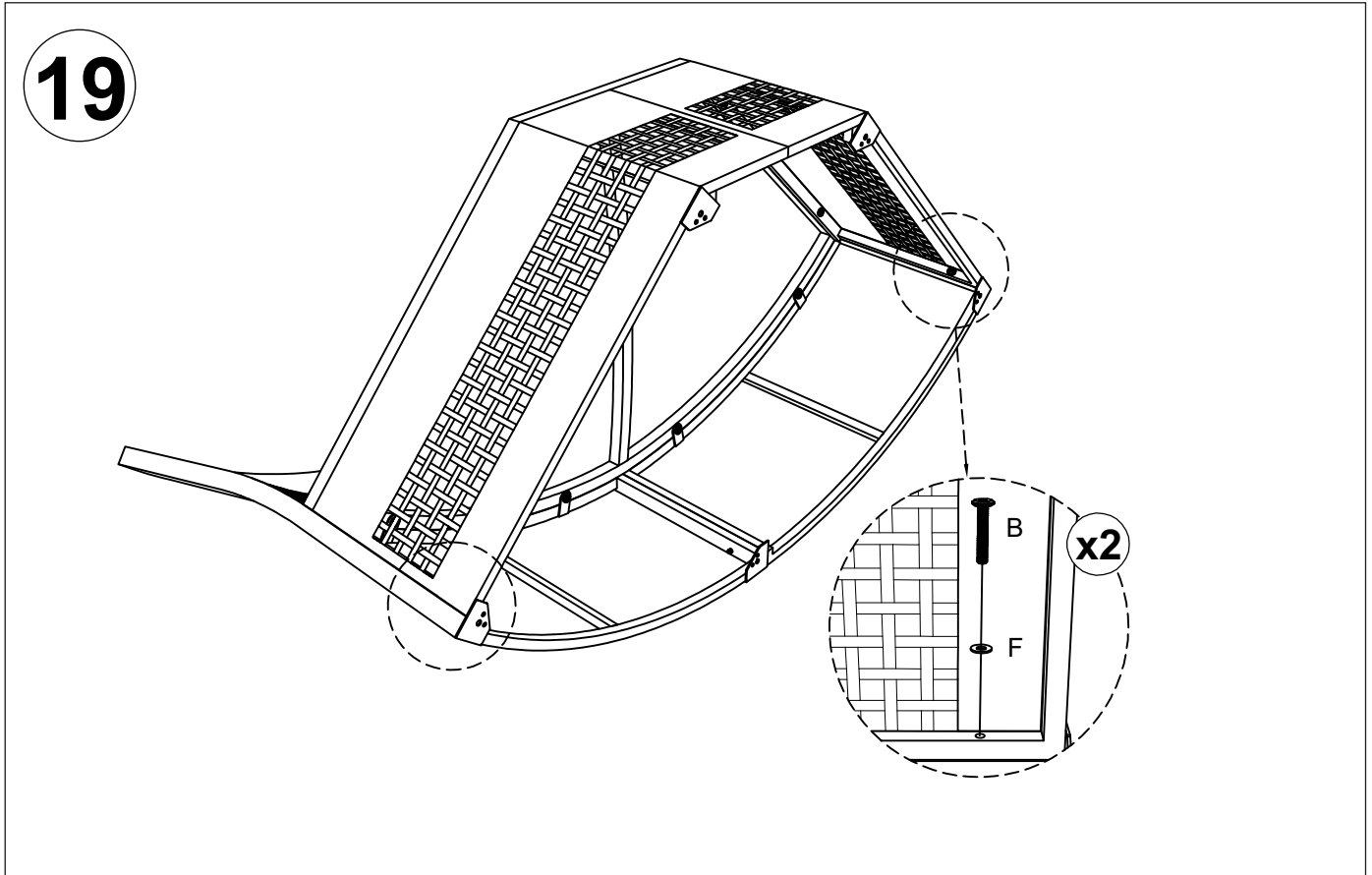
17. Locate front right panel (9) to the front left panel (10) by the pre-drilled threads.  
Use Allen Key (K) to tighten Bolts (A) and Washers (F).  
Note: only tighten 80% (Photo 17).



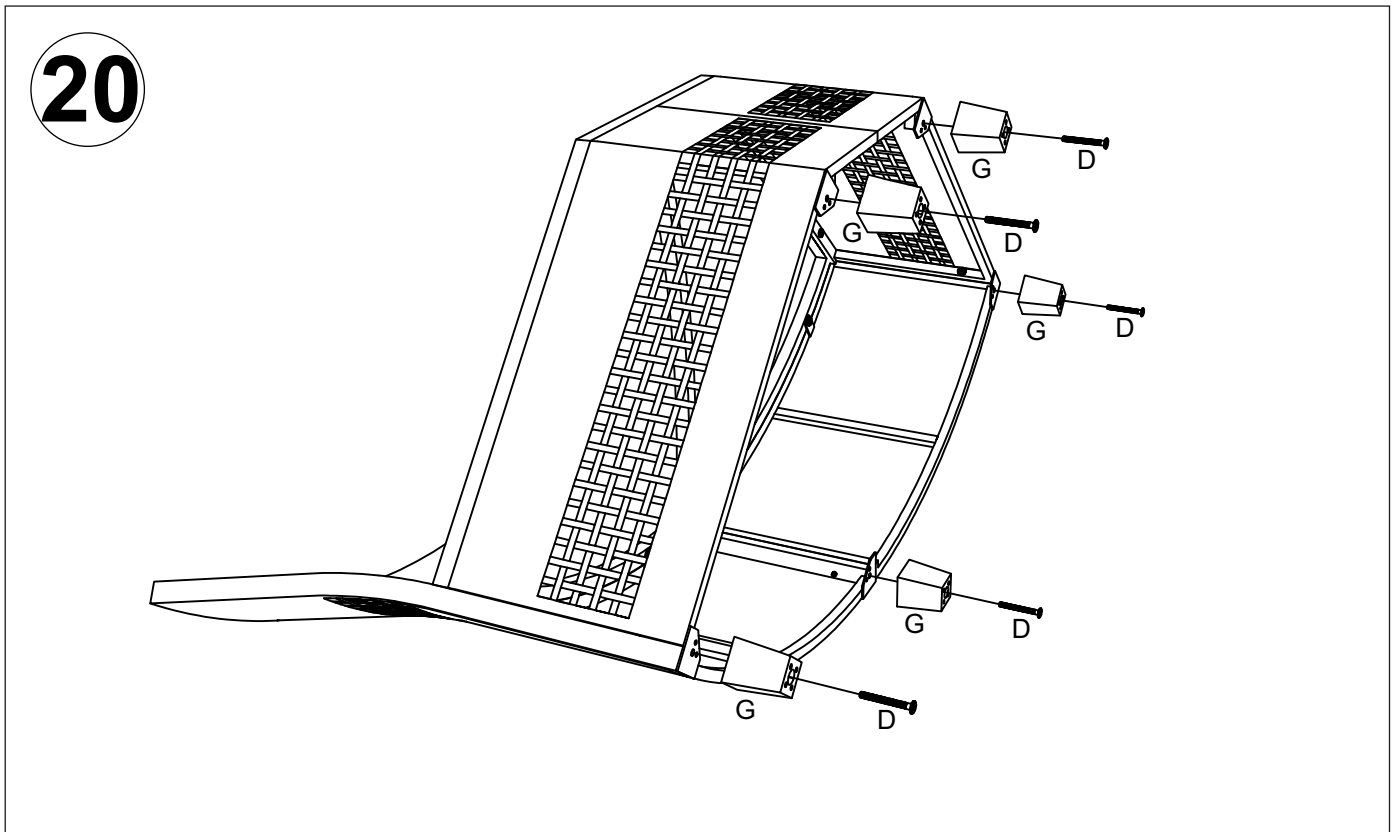
18. Locate the assembly installed in step (14) to the assembly installed in step (17) by the pre-drilled threads.  
Use Allen Key (K) to tighten Bolts (A) and Washers (F).  
Note: only tighten 80% (Photo 18).



19. Continue with the assembly installed in step (18) at the positions where bolts need to be attached as shown in the picture. Use Allen Key (K) to tighten Bolts (B) and Washers (F).  
Note: only tighten 80% (Photo 19).

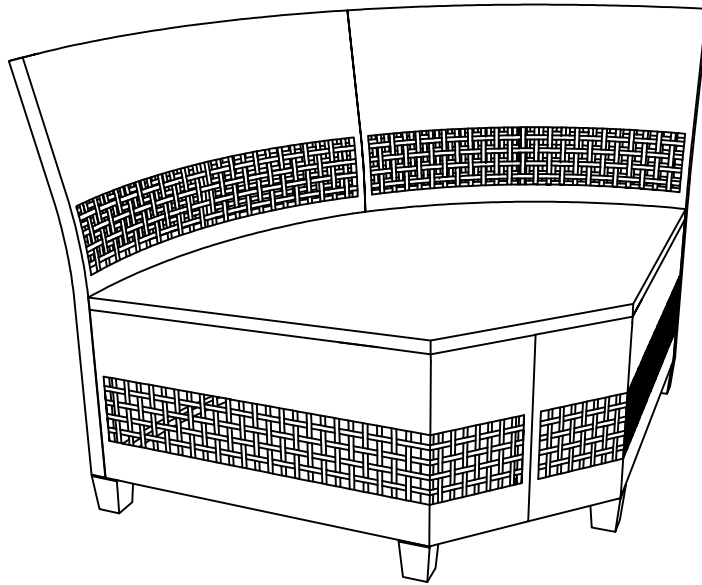


20. Use Allen Key (K) to fasten Bolts (D) with Plastic leg (G). Should have 5 bolts fastened.  
Note: tighten 100% (Photo 20).



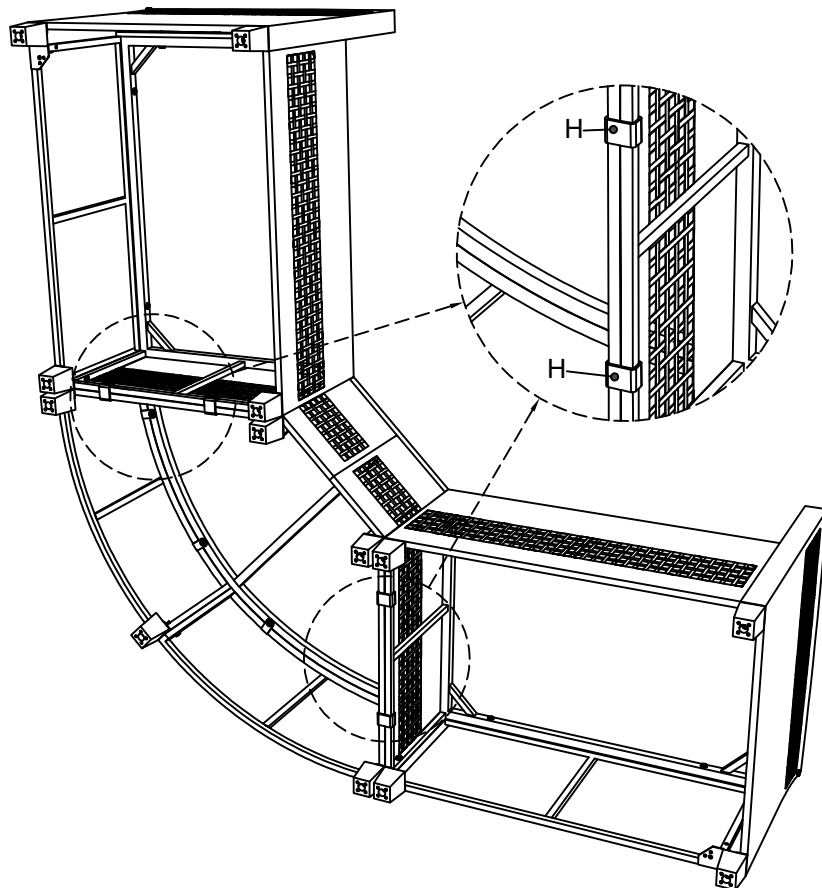
21. Use Allen Key (K) to tighten all Bolts 100%.

21



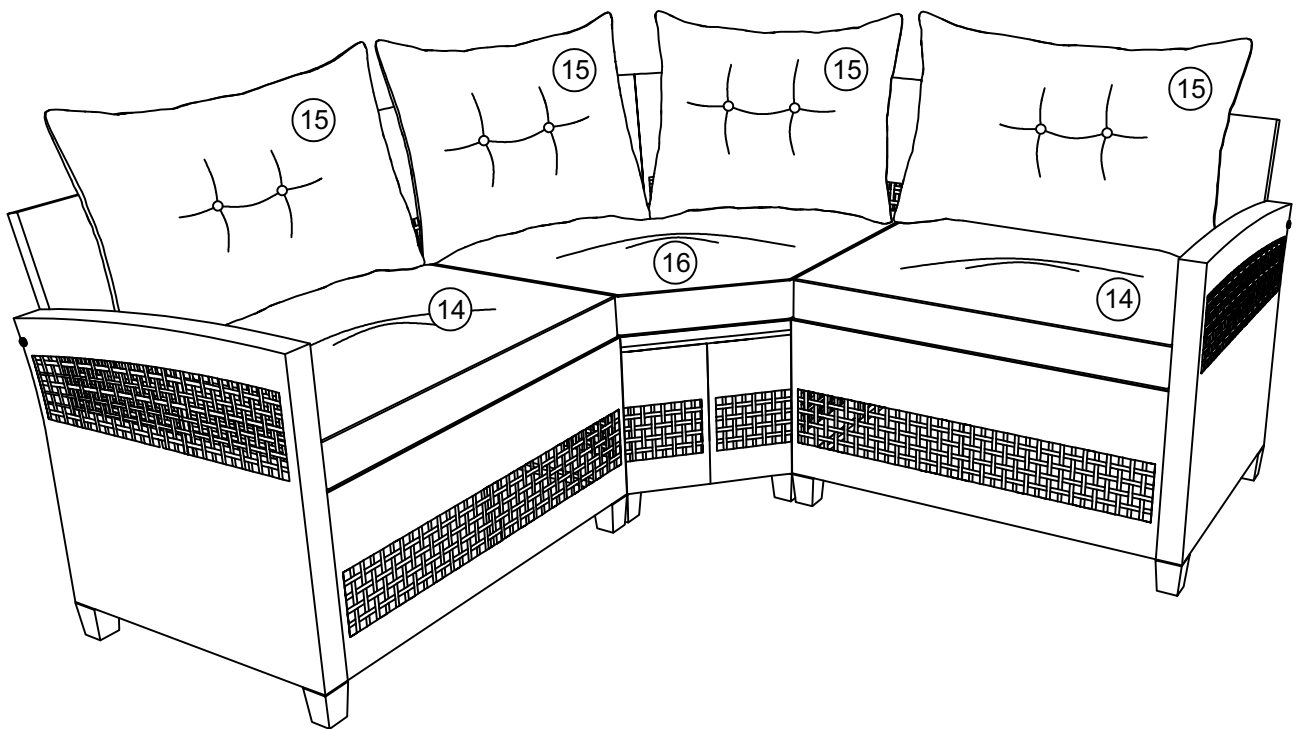
22. Locate right bench, Middle bench and left bench with connection (H).  
Fixed connection 100% (Photo 22).

22

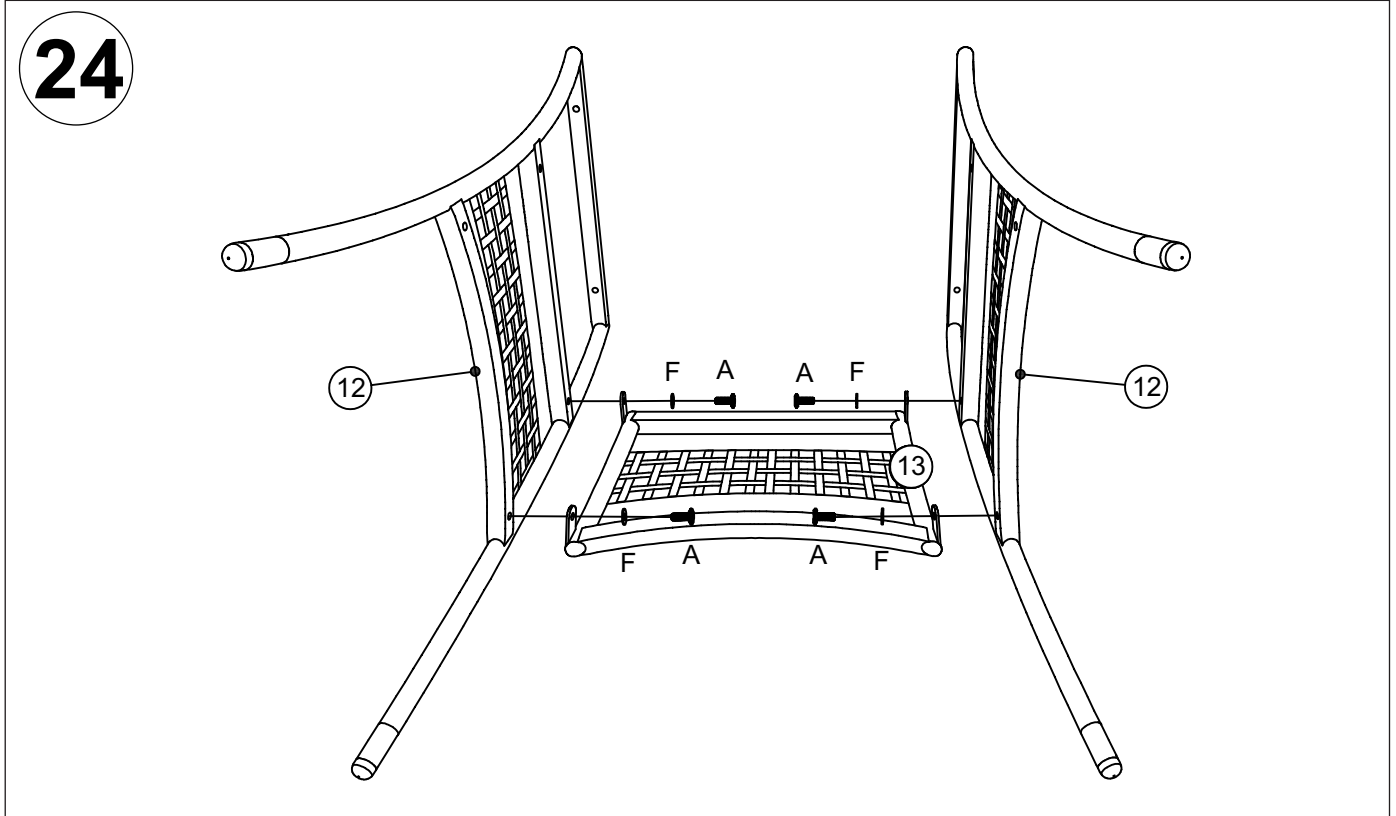


23. Place 2 side cushion (15) and 1 middle cushion (16) on the top seat base, and then place 4 Pillow (14) above them (Photo 23).

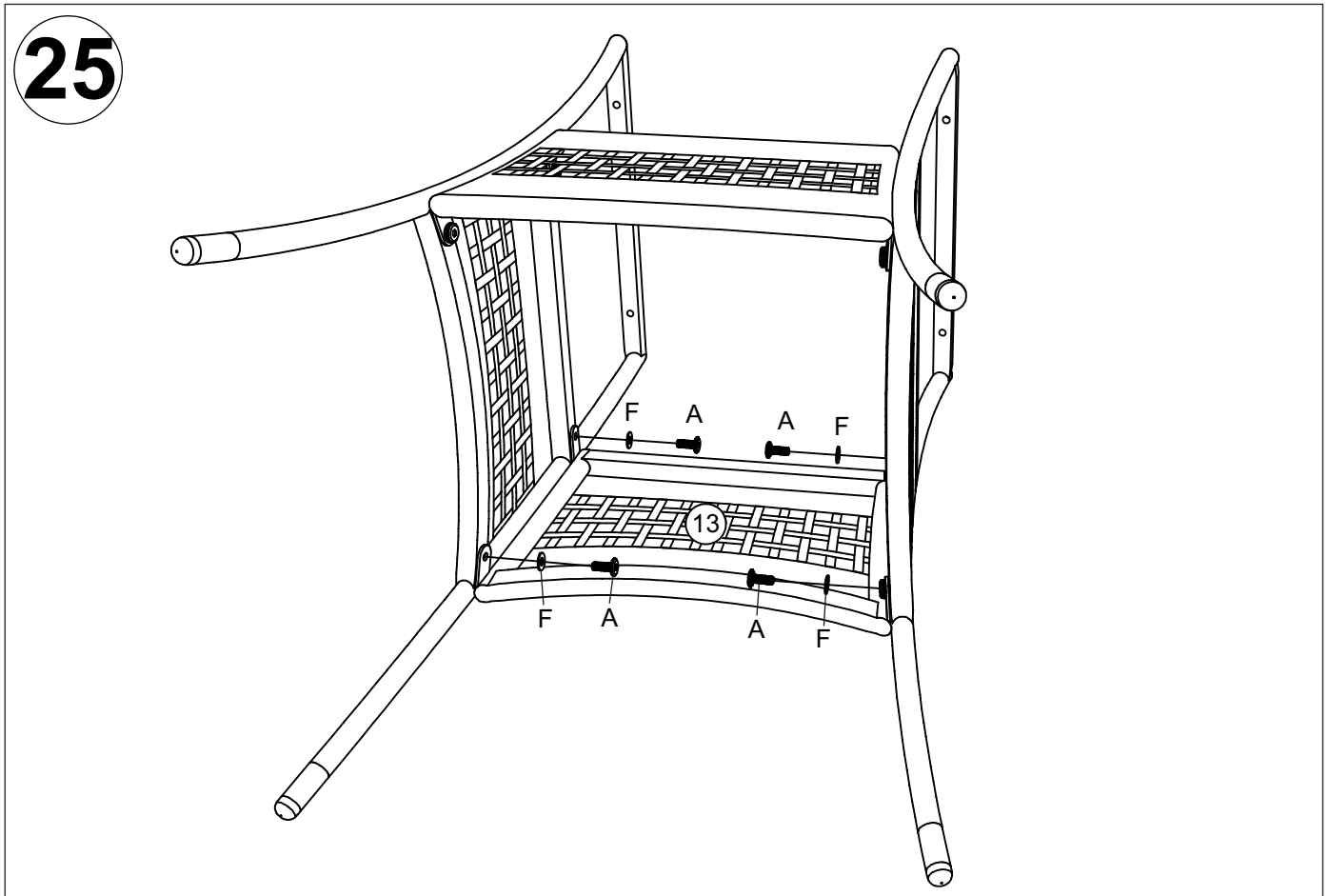
23



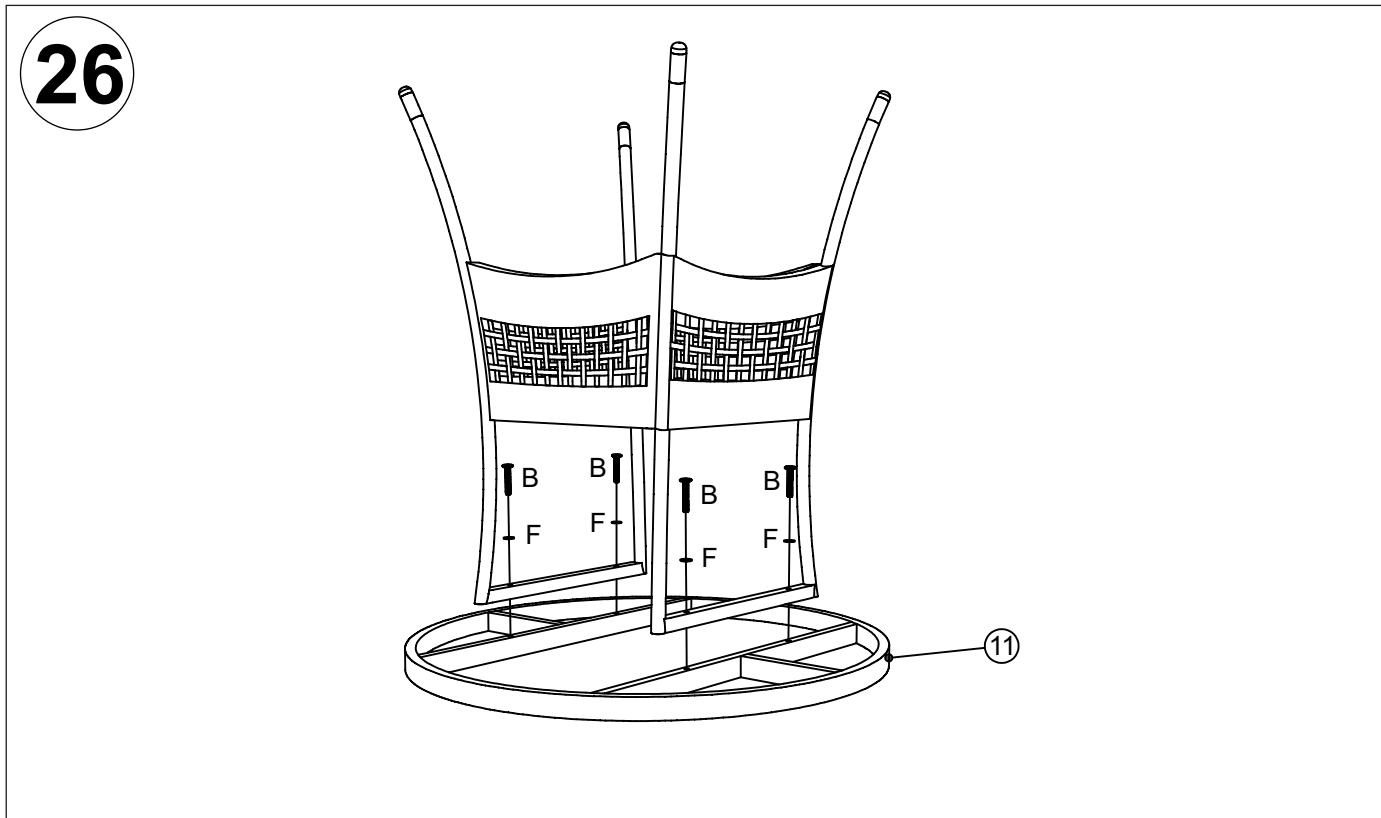
24. Locate 2 table leg frames (12) to the Table brace (13) by the pre-drilled threads.  
Use Allen Key (K) to tighten Bolts (A) and Washers (F).  
Note: only tighten 80% (Photo 24).



25. Locate 2 table leg frames (12) to the Table brace (13) by the pre-drilled threads.  
Use Allen Key (K) to tighten Bolts (A) and Washers (F).  
Note: only tighten 80% (Photo 25).



26. Locate 2 table leg frames (12) to the Round table (11) by the pre-drilled threads.  
Use Allen Key (K) to tighten Bolts (B) and Washers (F).  
Note: only tighten 80% (Photo 26).



27. Use Allen Key (K) to tighten all Bolts 100%.  
Carefully place glass tabletop (17) on the top round table (11) (Photo 27).



**Till now you have finished the whole assembly and enjoy your furniture!**