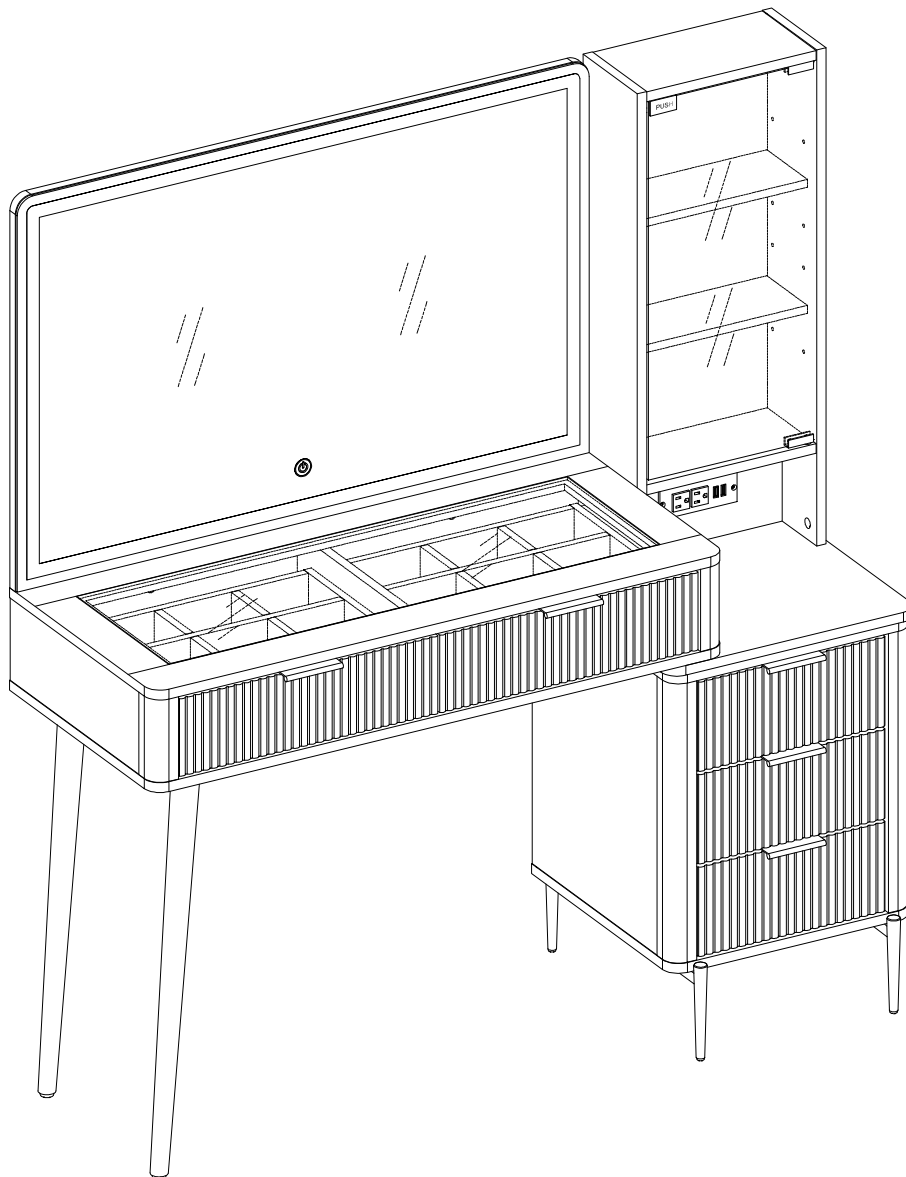
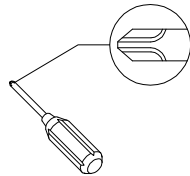


# Assembly Instructions

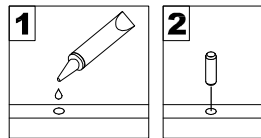


# General Assembly Guidelines

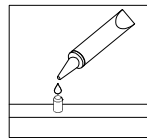
- I. Ensure that all parts and hardware are available before beginning assembly.
- II. Follow each step carefully to ensure the proper assembly of this product.
- III. Two people are recommended for ease in the assembly of this product.
- IV. A Phillips head screwdriver is required for the assembly of this product .



- V. The provided glue is to secure wood dowels in place . When first inserting dowels , locate the appropriate hole for the dowel , place a small amount of glue in the hole and insert the dowel . Wipe away excess glue immediately.

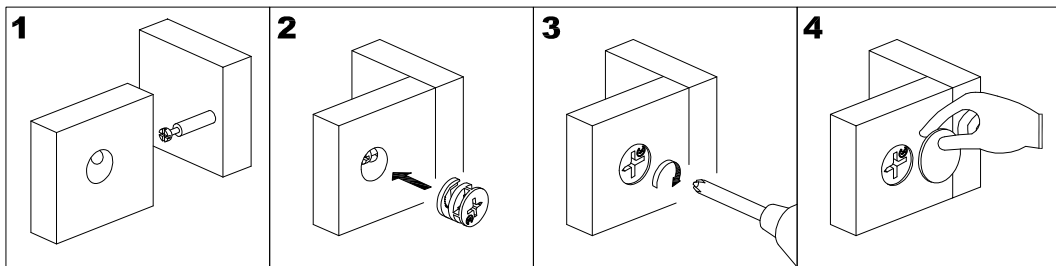


In future assembly steps when dowels are necessary to attach assembly parts together , place a small amount of glue on the end of the dowel before attaching parts together . Wipe away excess glue immediately.

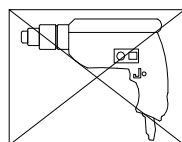


## VI HOW THE KNOCK DOWN (KD) ASSEMBLY SYSTEM WORKS

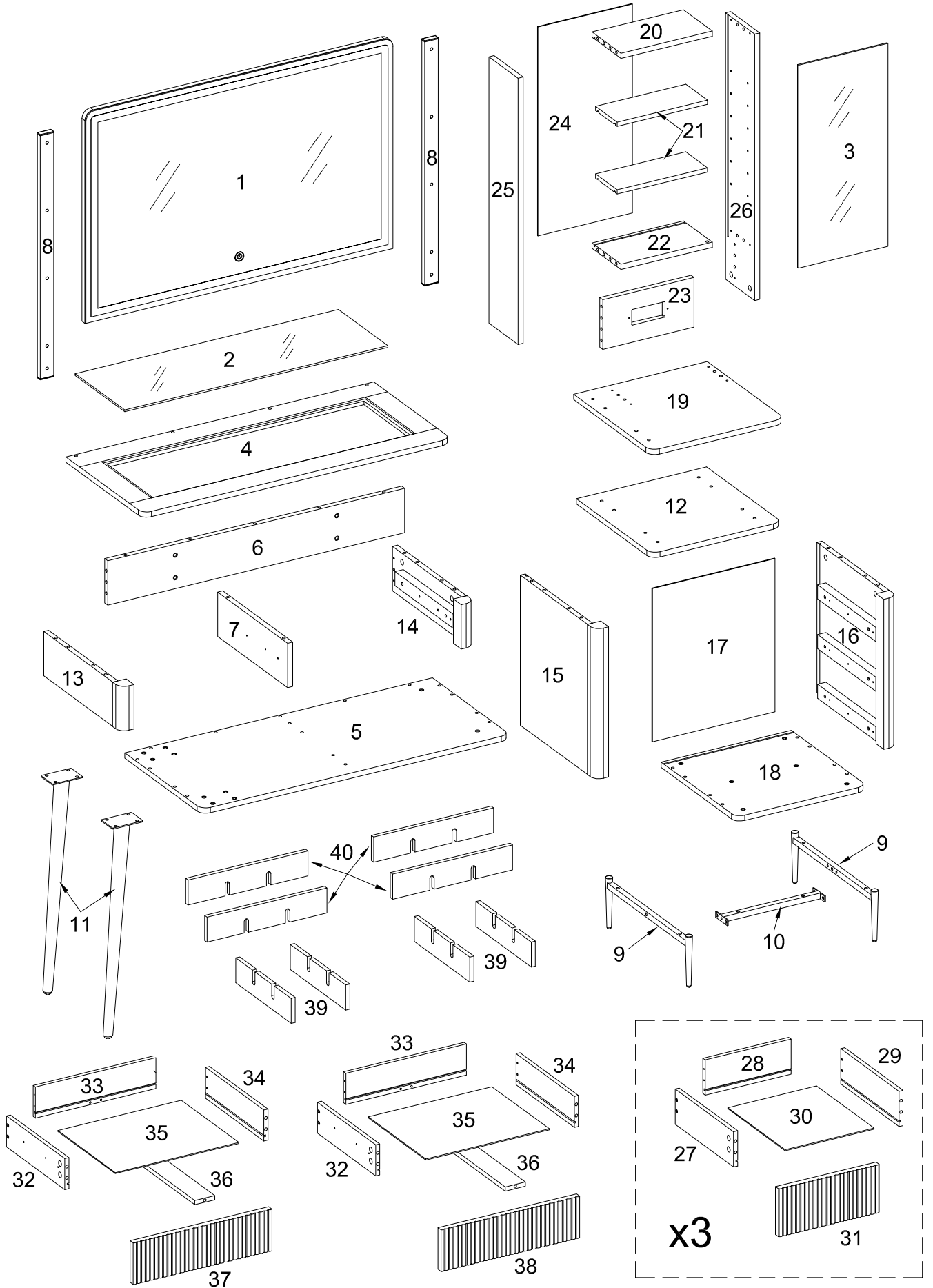
- 1.Screw the Cam Bolt into the pre-drilled hole on the panel. Make sure Cam Bolt goes into the pre-drilled hole on the end of panel for Cam Lock.
- 2.Insert the Cam Lock into the pre-drilled large hole on the panel. Make sure the arrow on the face of Cam Lock points towards Cam Bolt.
- 3.Take a Phillips screwdriver and rotate the Cam Lock clockwise to lock the Cam Bolt.
- 4.Use the sticker to conceal the Cam.




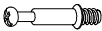


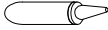



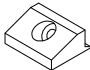
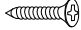



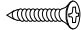


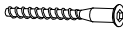

- VII. Power tools should not be used to assemble this product .

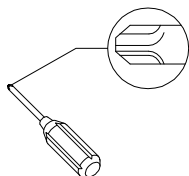


# Parts List




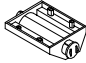
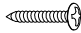
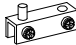
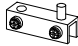
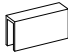

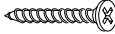


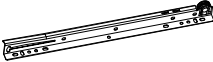
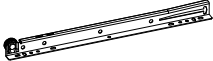
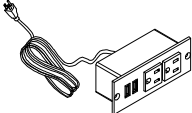


# Hardware List

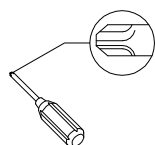
A		Ø8x30mm	Large Dowel	40 pcs
B		Ø6x35mm	Cam bolt	55 pcs
C		Ø15x11mm	Large Cam lock	33 pcs
D		Ø30mm	Cam cover	55 pcs
E			Glue	2 pcs
F		Ø5x16mm	Shelf support pin	8 pcs
G		Ø3.5x14mm	Screw	10 pcs
H			Knob	5 pcs
J			Plastic wedge	12 pcs
K		Ø3x17mm	Flat-head screw	12 pcs
L		Ø8x20mm	Small Dowel	10 pcs
M			Metal plate	3 pcs
N		10"	Drawer slider	2 sets
P		Ø3.5x12mm	Screw	68 pcs
Q		Ø6x14mm	Bolt	12 pcs
R		M 4	Allen Wrench	1 pc
S		Ø6x50mm	Screw	13 pcs
T		Ø15x9mm	Small cam lock	22 pcs



Philips head screwdriver required for assembly  
(not included)

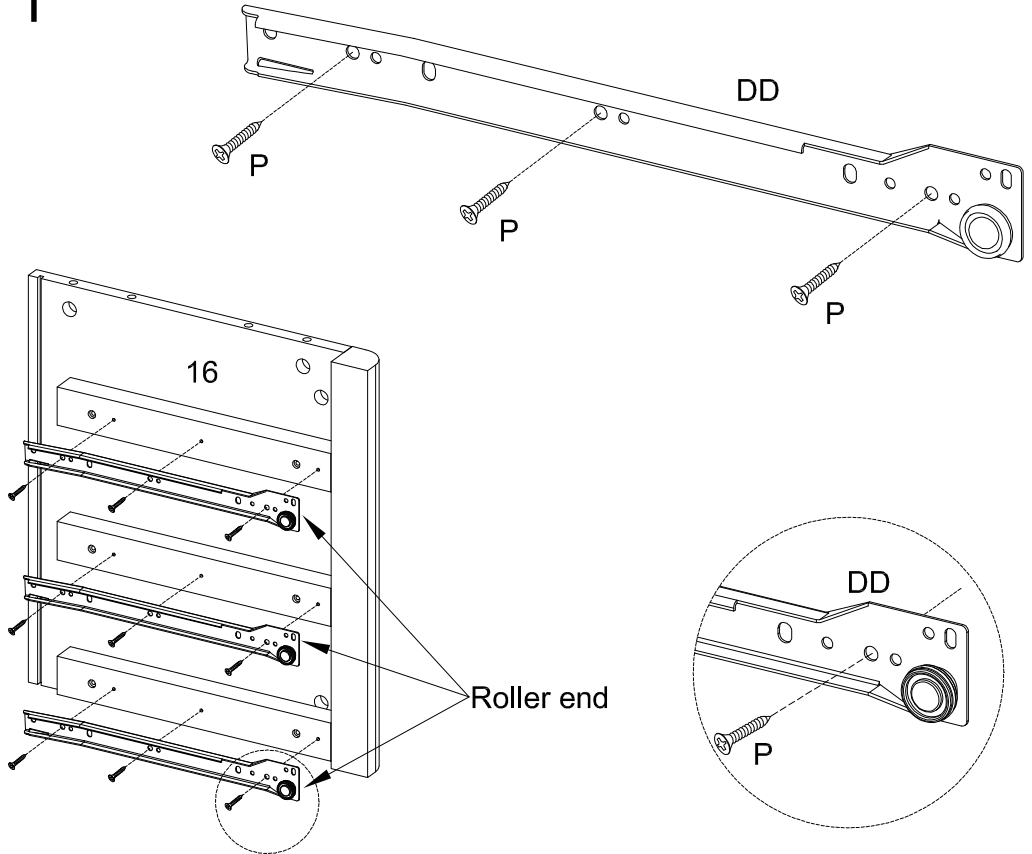
# Hardware List

U			Plastic pivot	2 pcs
V			magnetic Catch latch	1 pc
W		Ø3x15mm	Screw	4 pcs
X			Hinge	1 pc
Y			Hinge	1 pc
Z			strike plate	1 pc
AA		Ø6x25mm	Bolt	24 pcs
BB		Ø4x38mm	Screw	24 pcs
CC		12"	Left Glide Track	3 pcs
DD		12"	Right Glide Track	3 pcs
EE		12"	Left Glide Runner	3 pcs
FF		12"	Right Glide Runner	3 pcs
GG			USB Interface	1 pc
HH			Tipping Restraint Hardware	2 sets
JJ			Power plug	1 pc

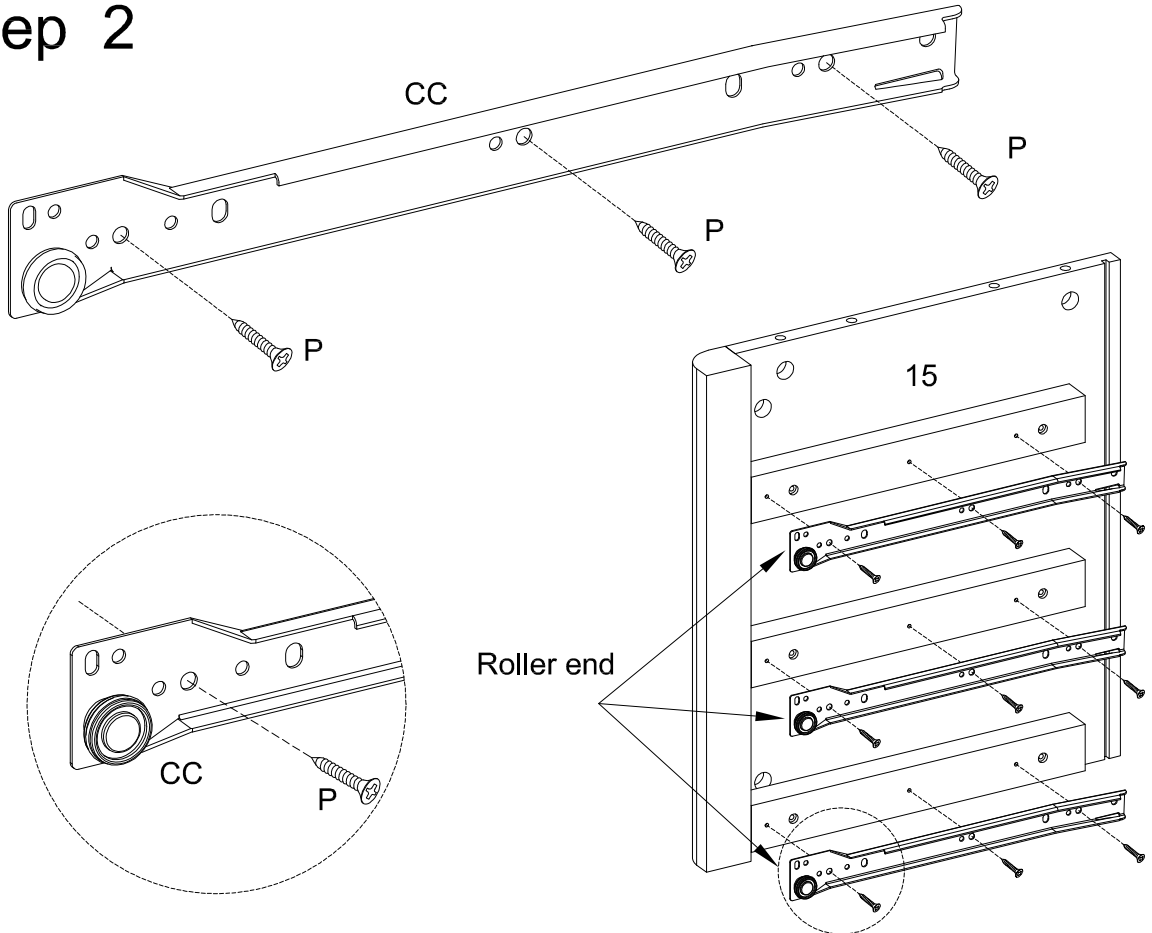


Philips head screwdriver required for assembly  
(not included)

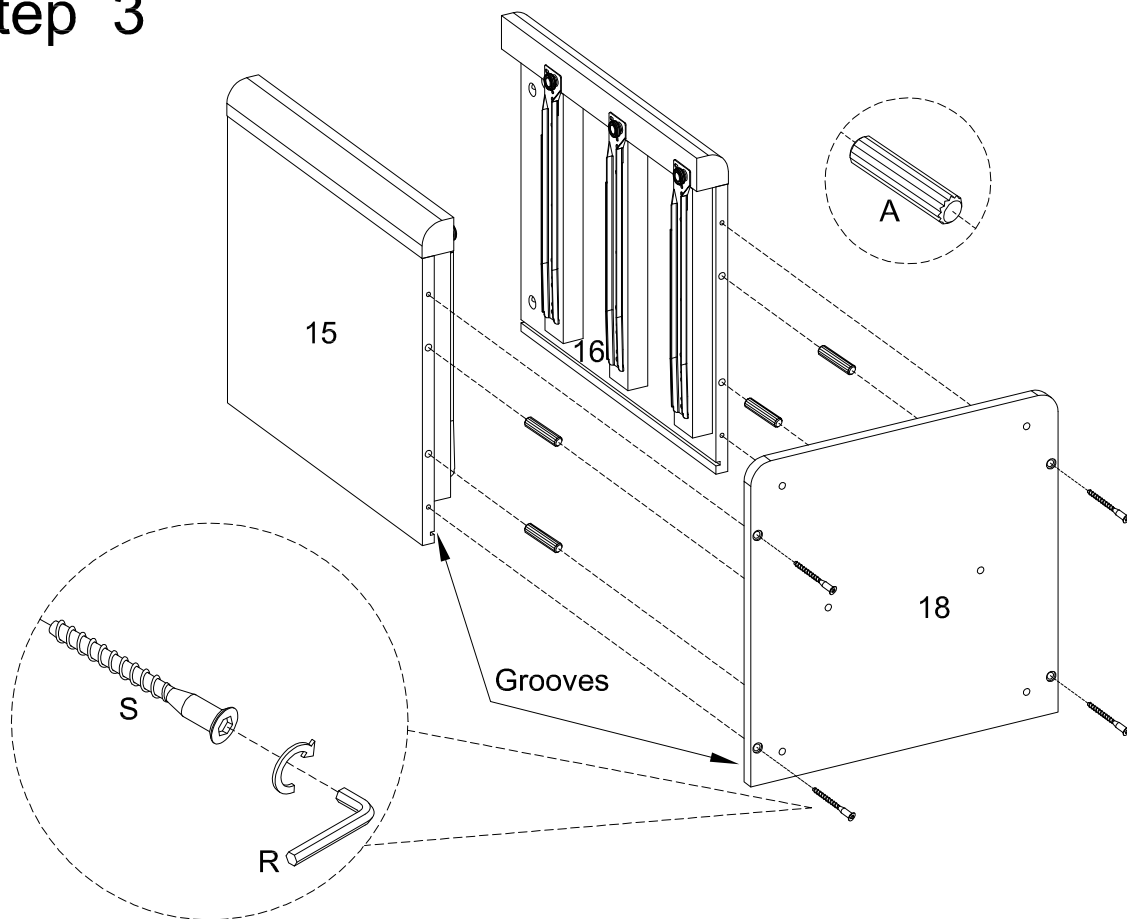
# Step 1



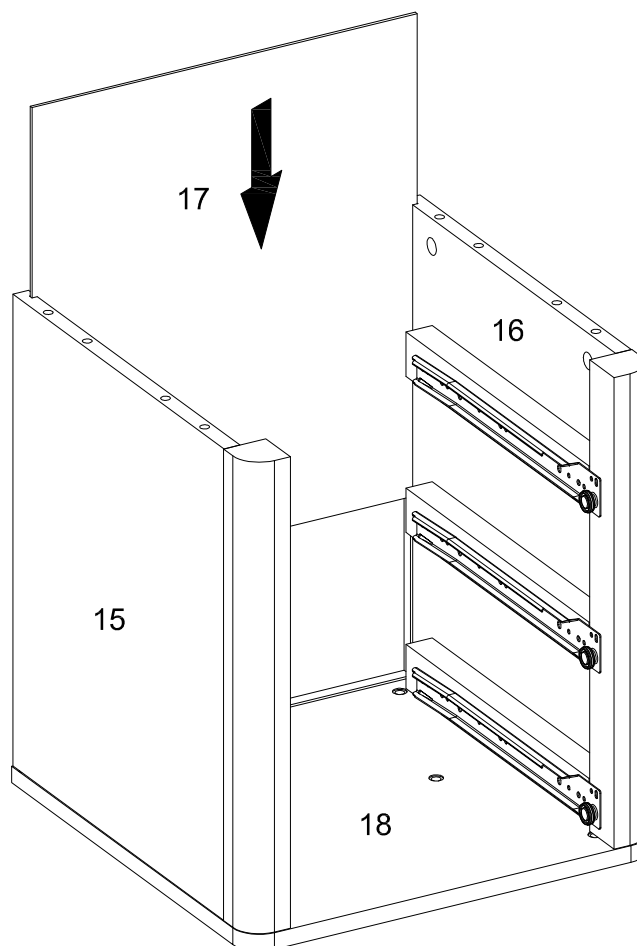
# Step 2



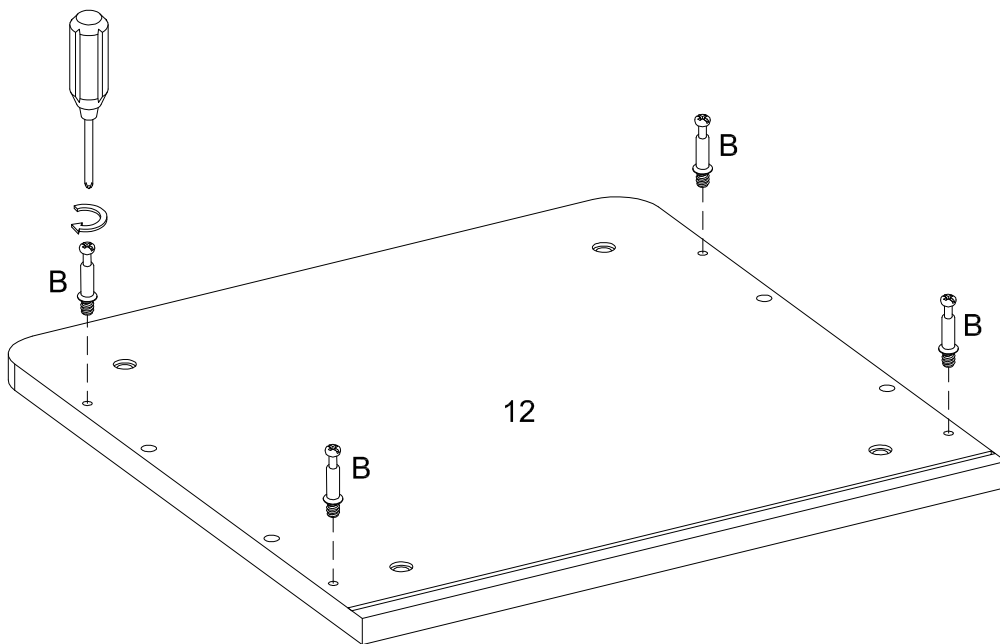
# Step 3



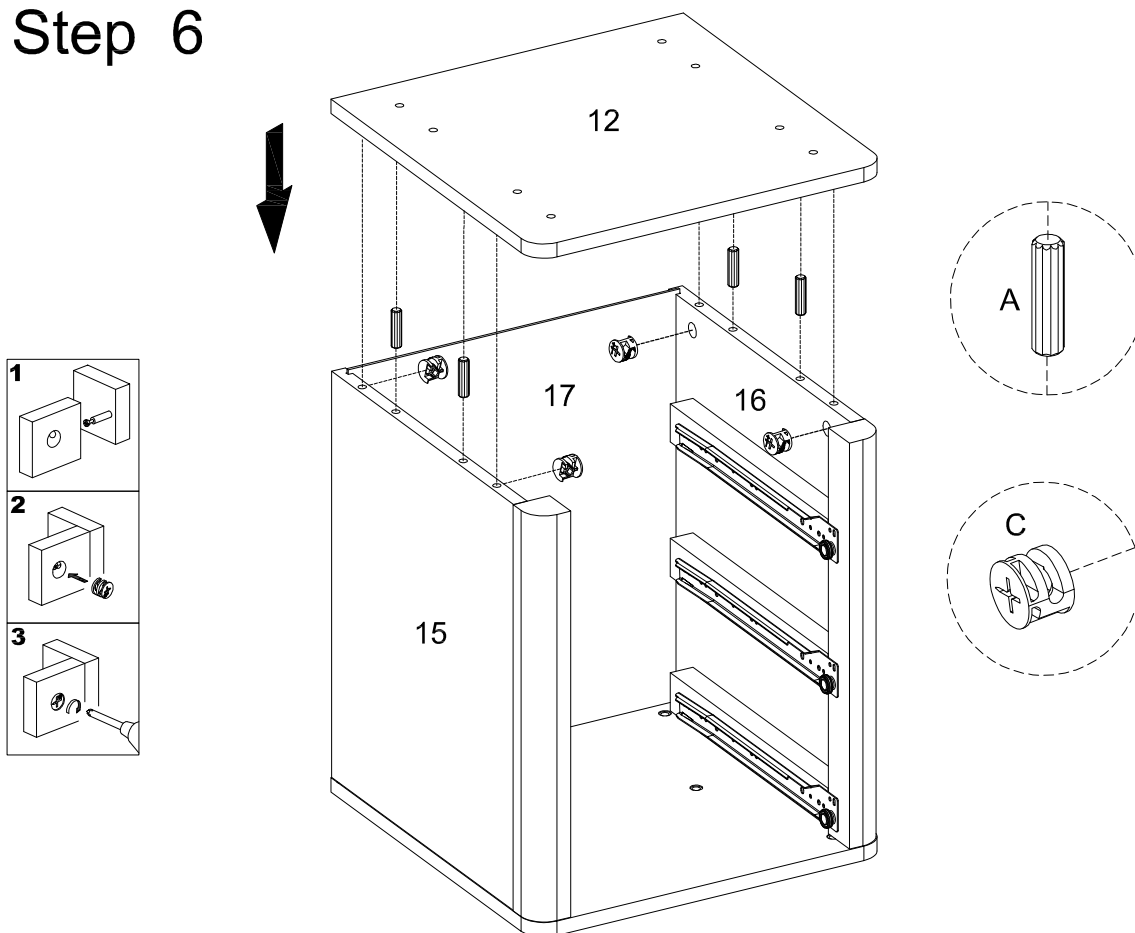
# Step 4



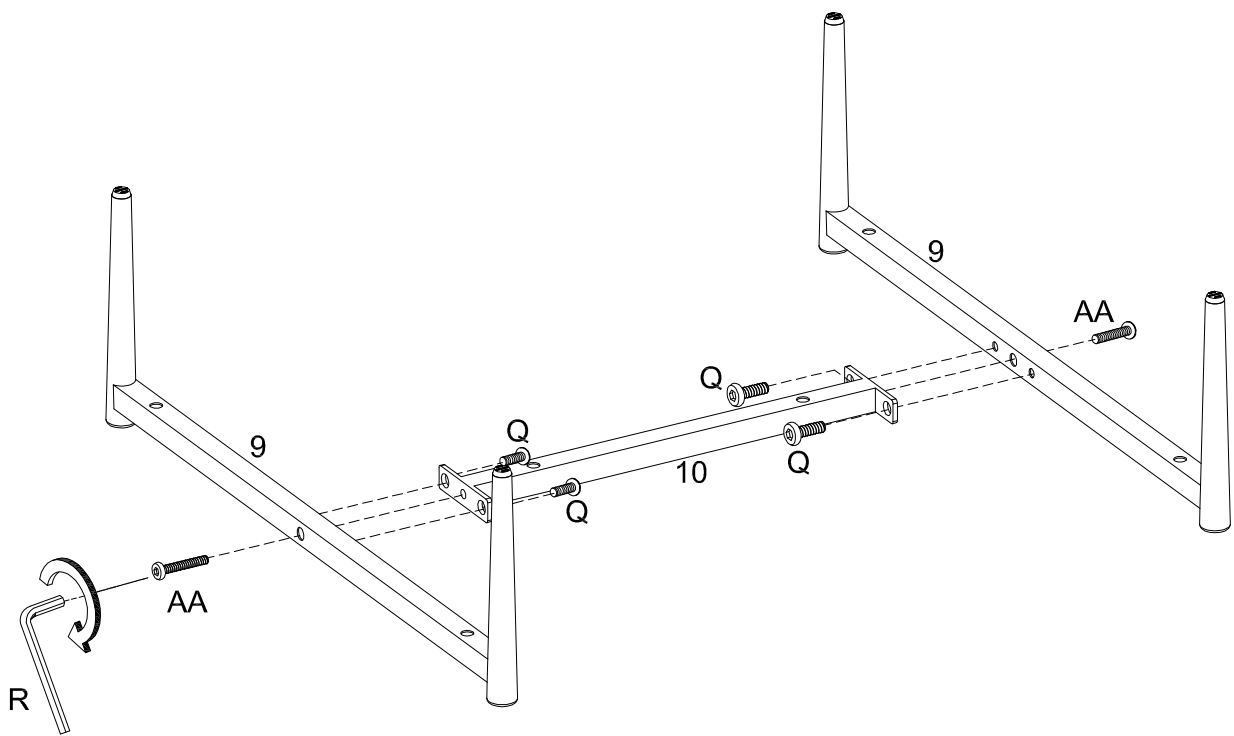
# Step 5



# Step 6

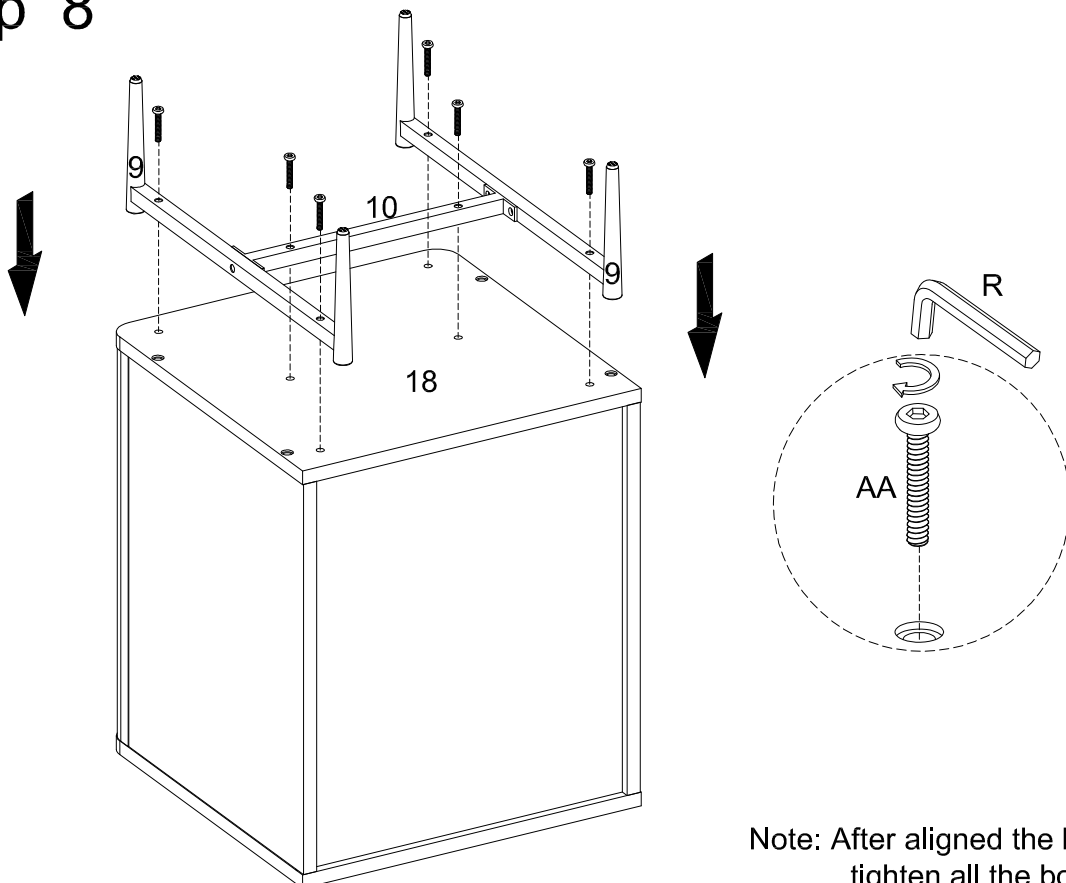


## Step 7



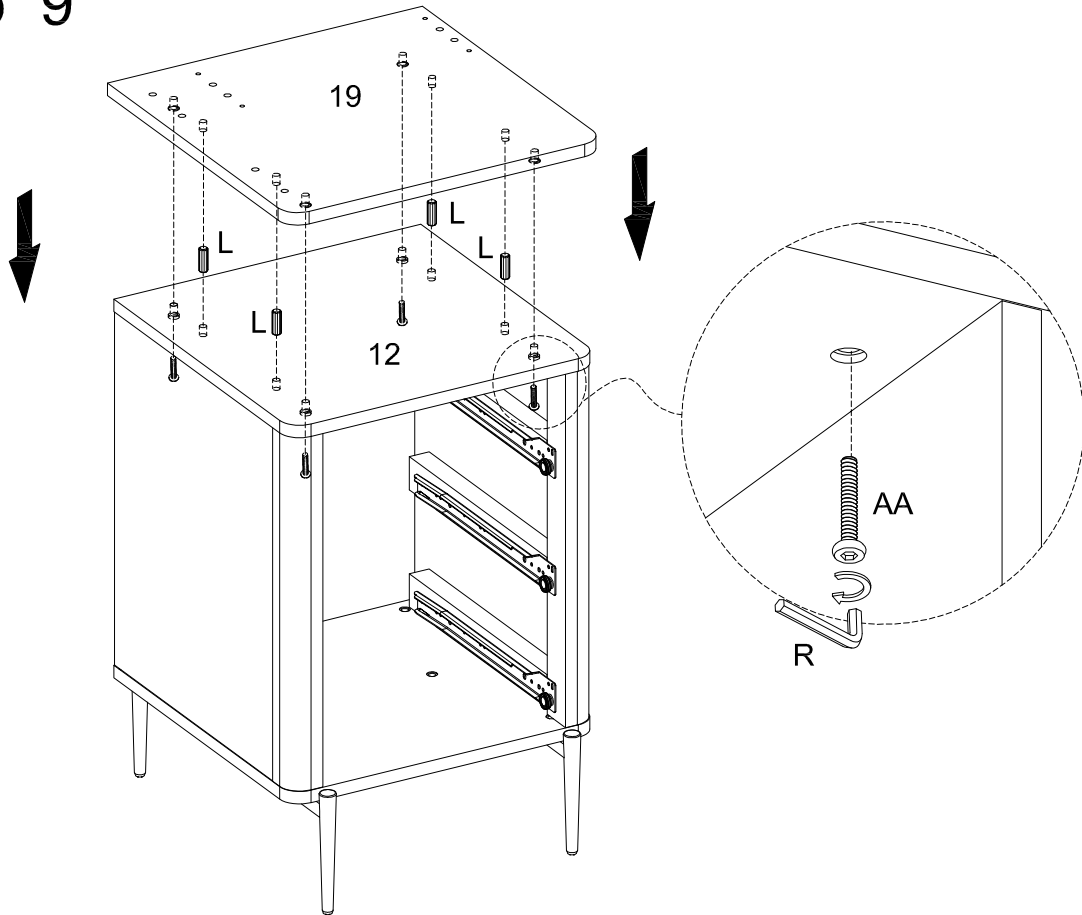
Note: Do not fully tighten the bolts.

## Step 8

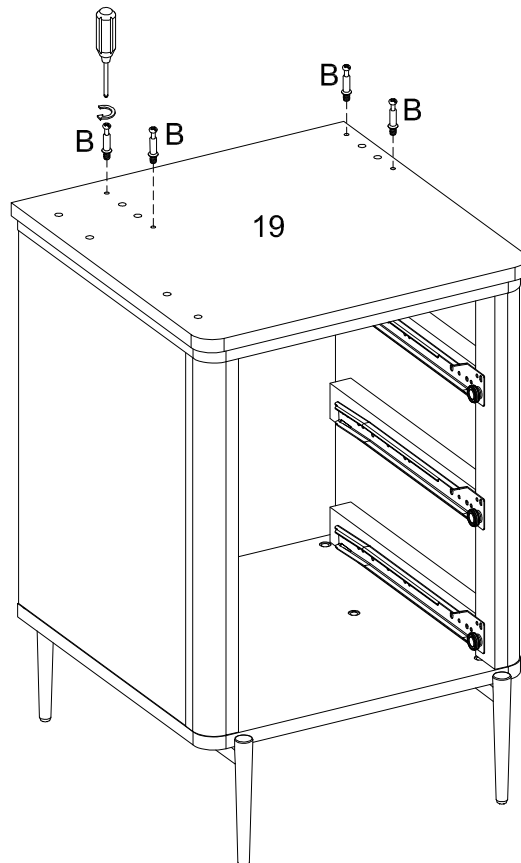


Note: After aligned the bolts, then tighten all the bolts.

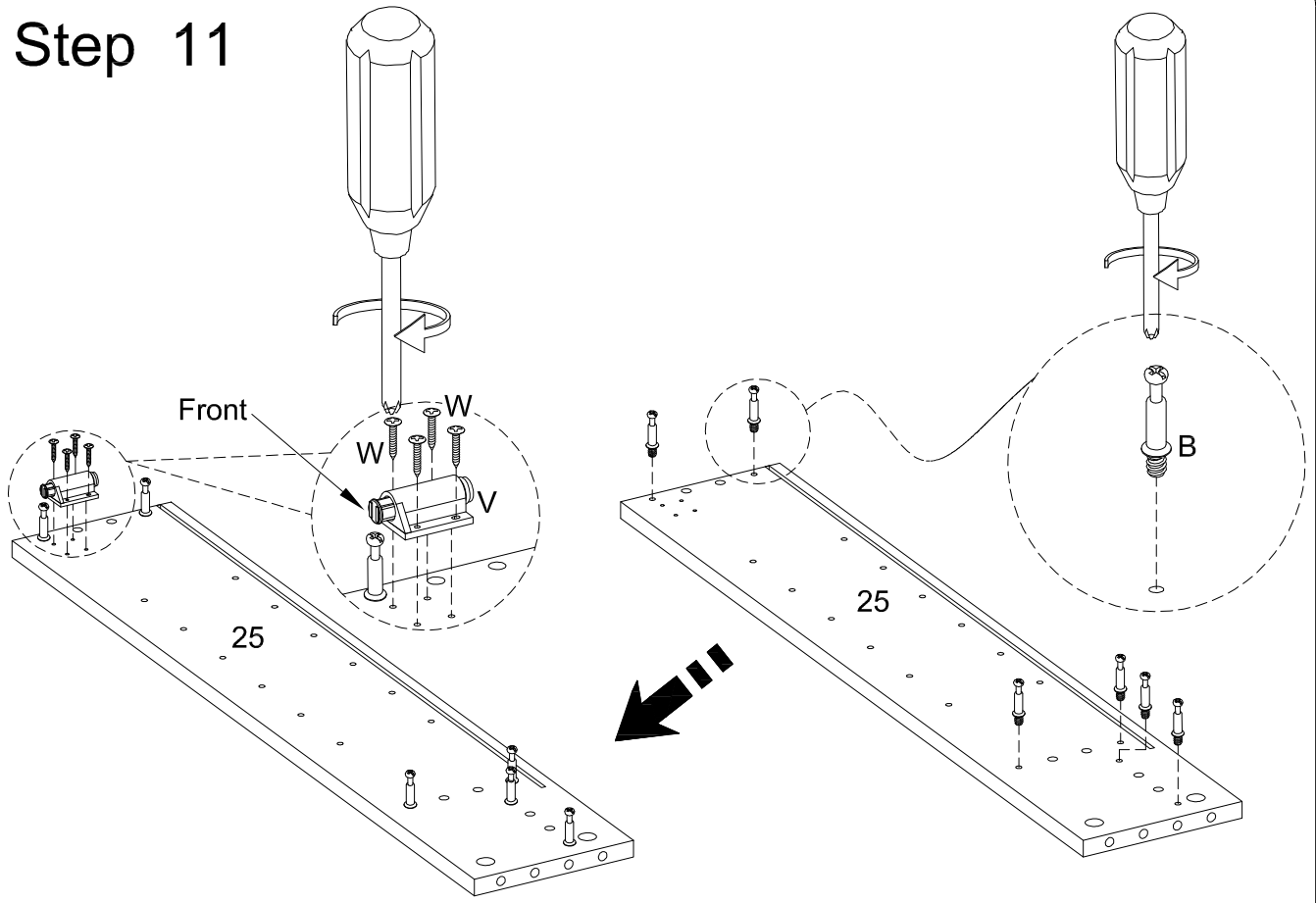
# Step 9



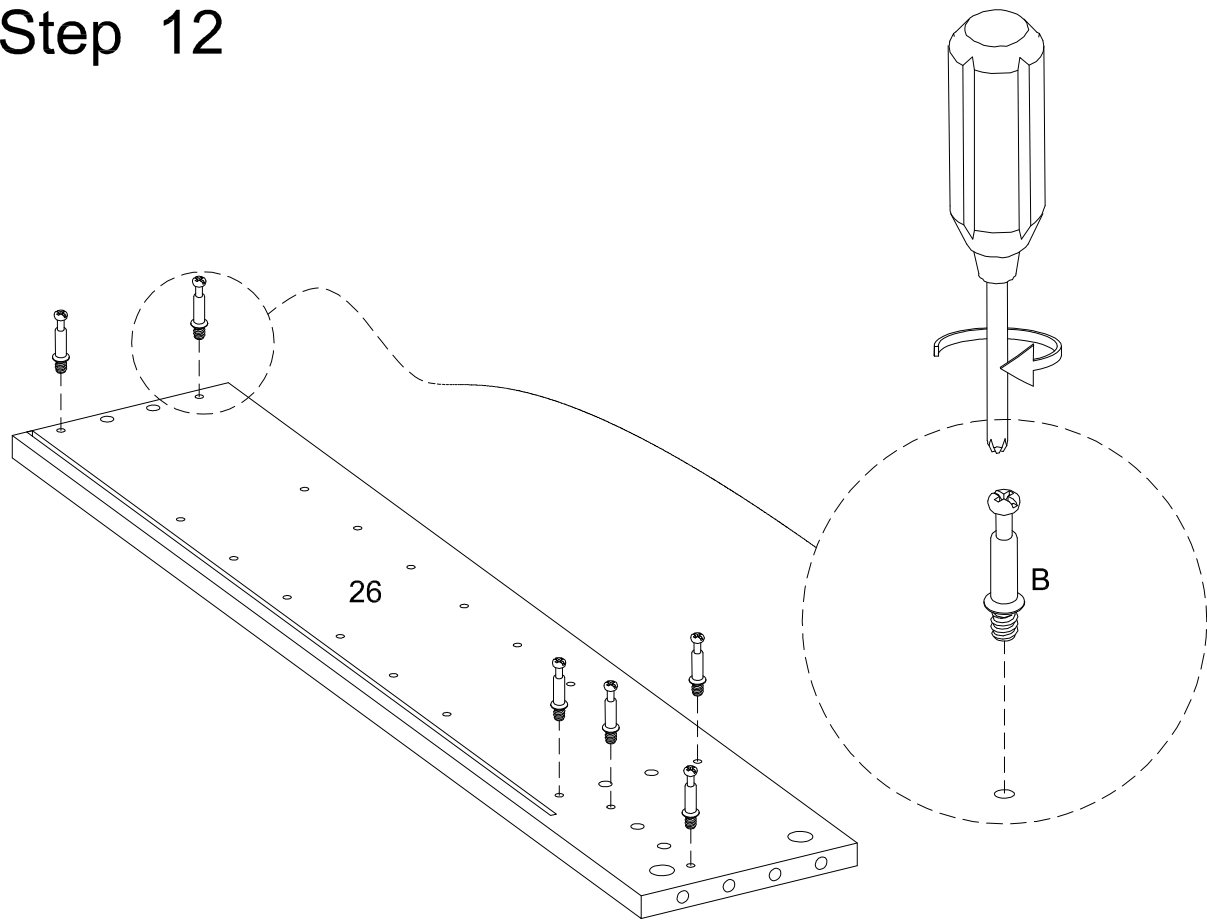
# Step 10



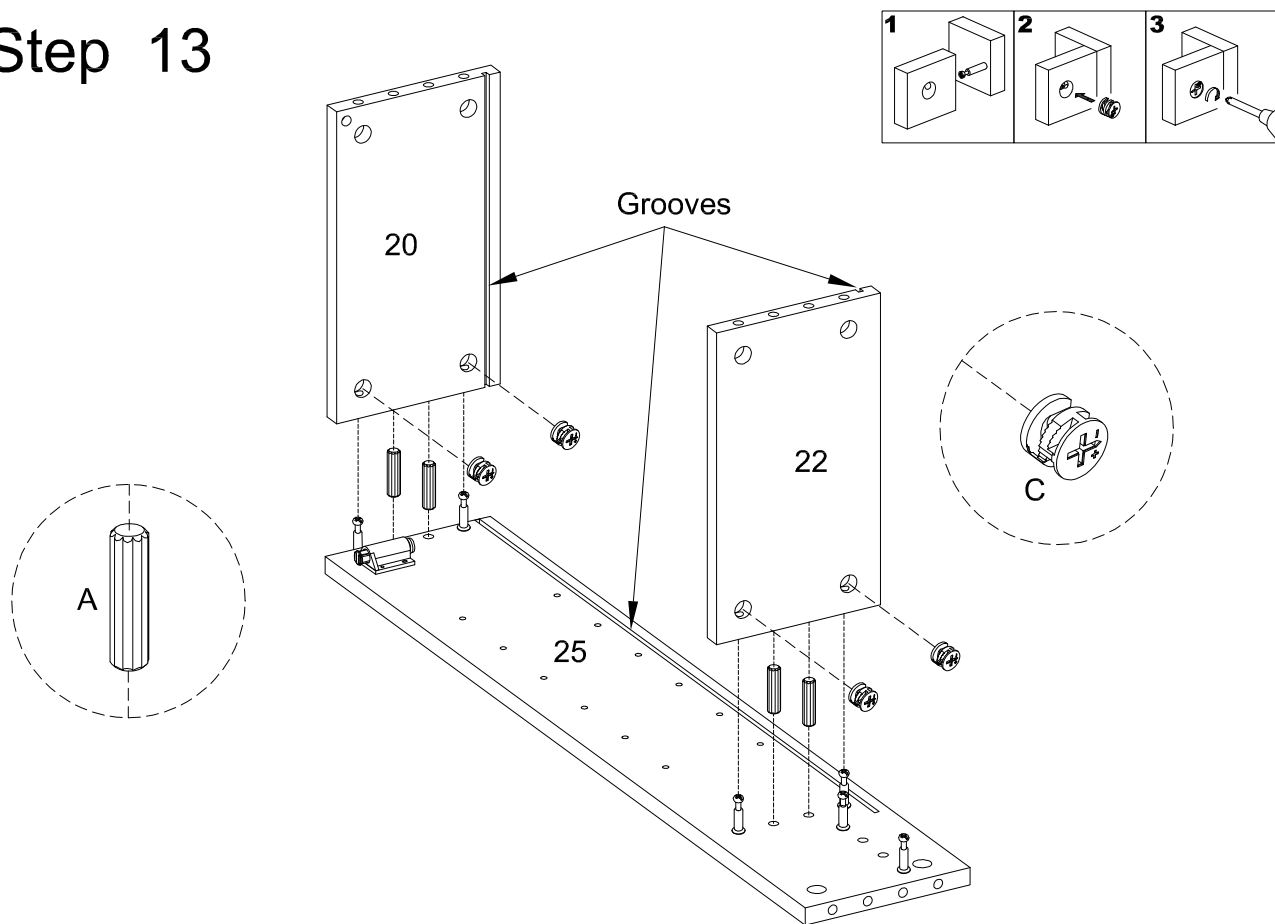
# Step 11



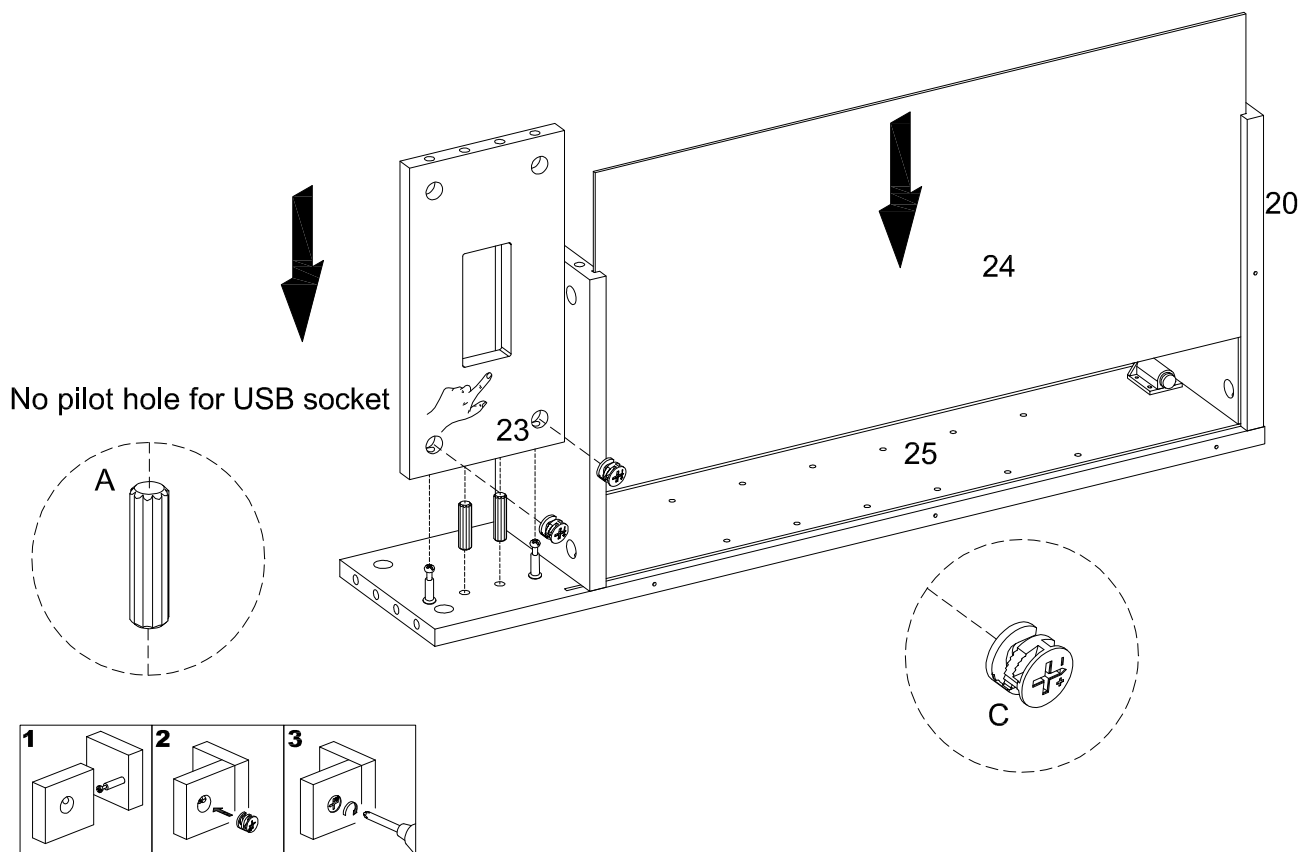
# Step 12



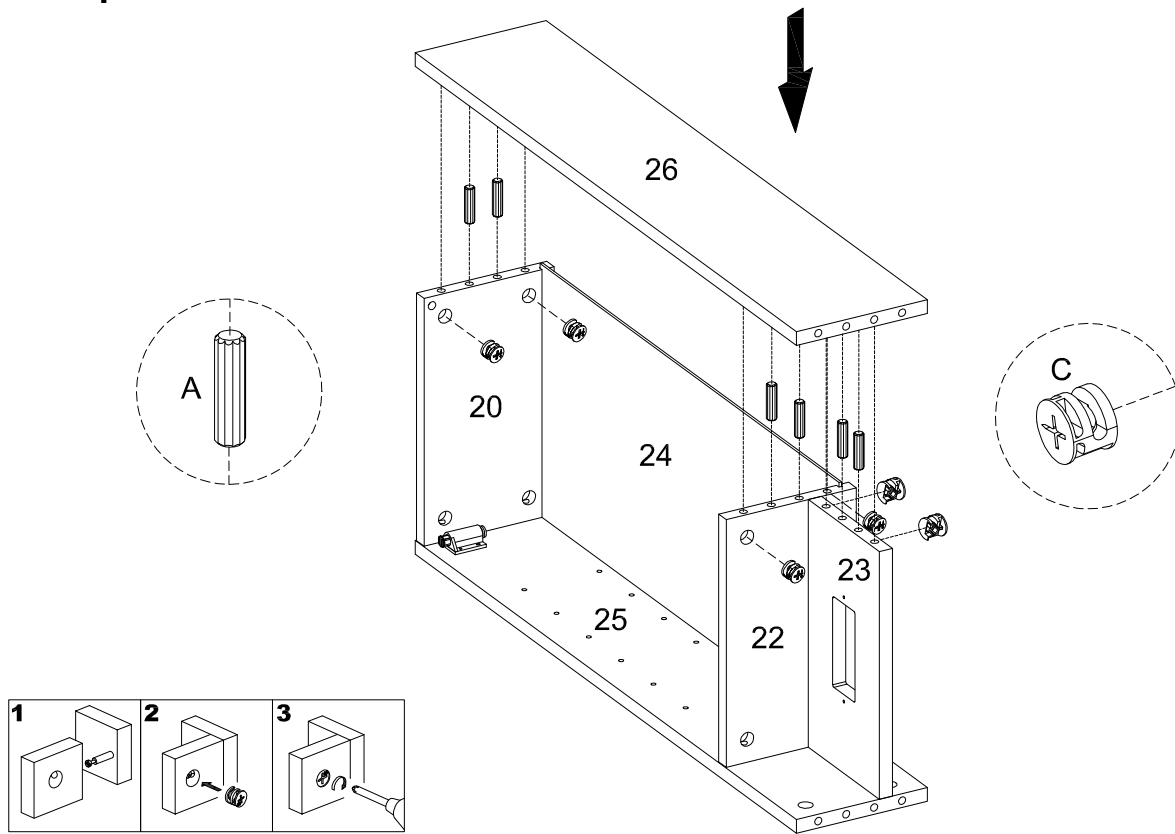
# Step 13



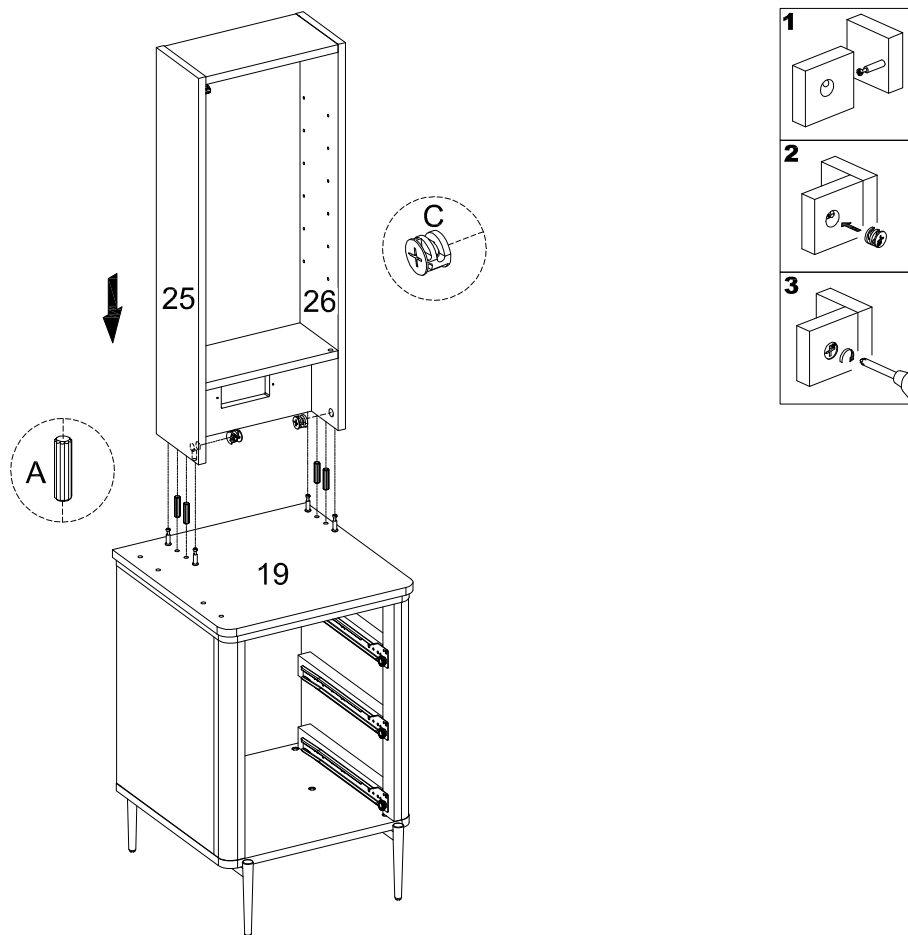
# Step 14



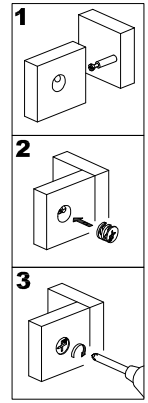
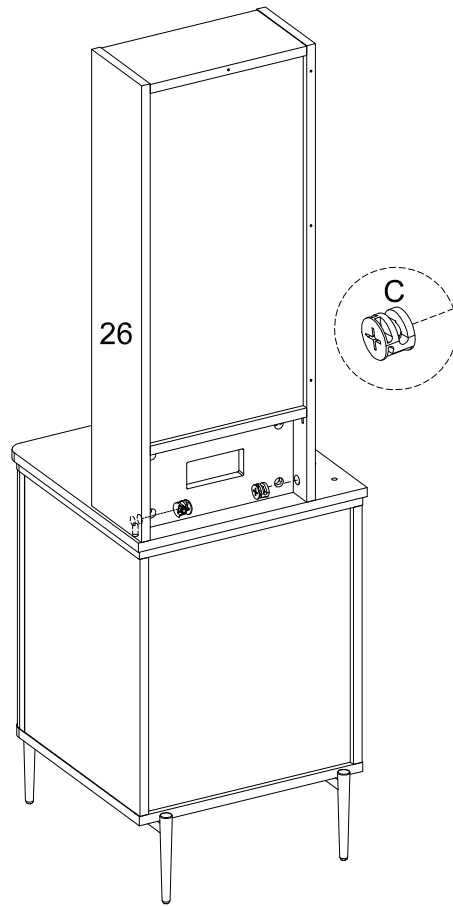
# Step 15



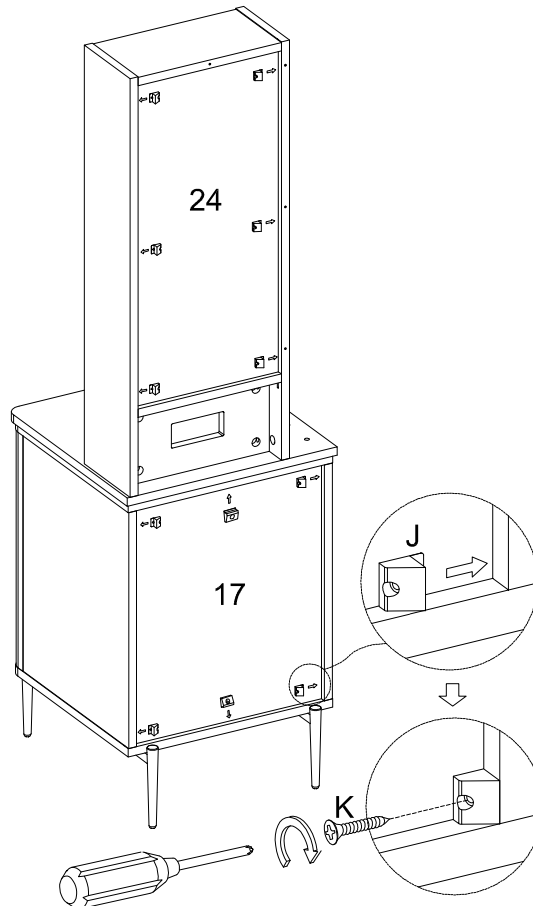
# Step 16



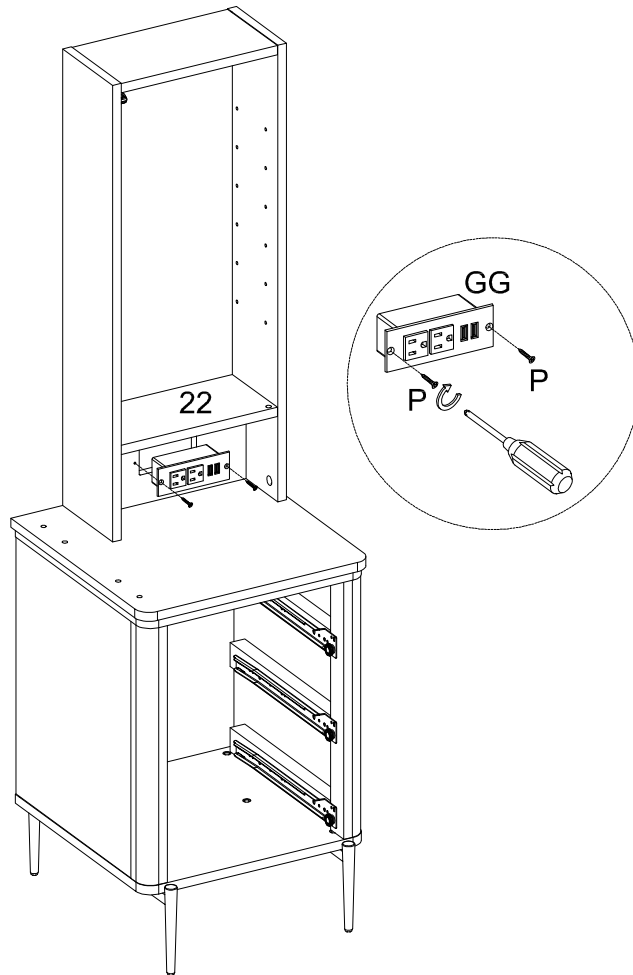
# Step 17



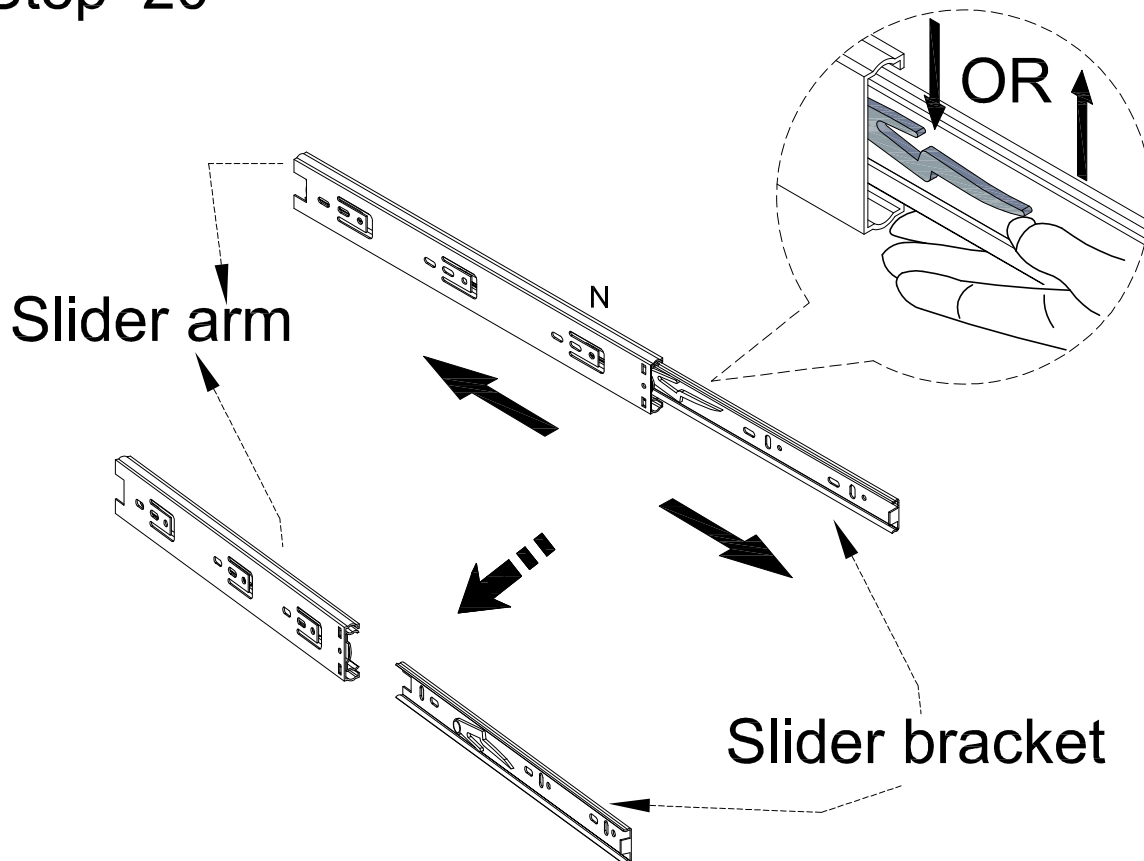
# Step 18



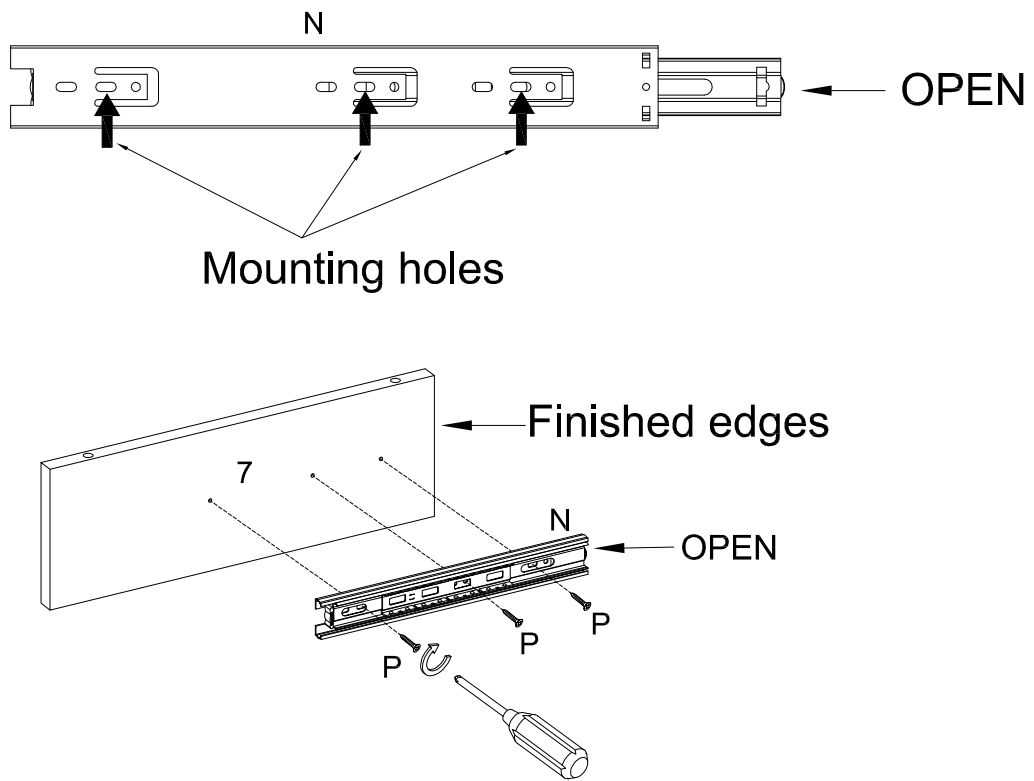
# Step 19



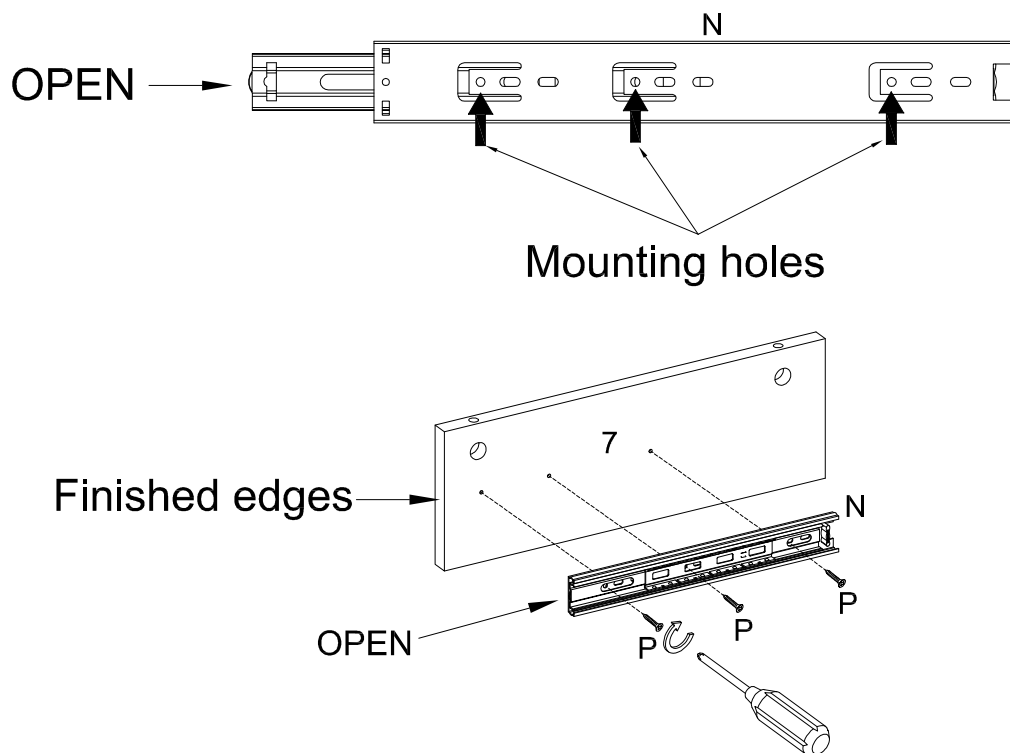
# Step 20



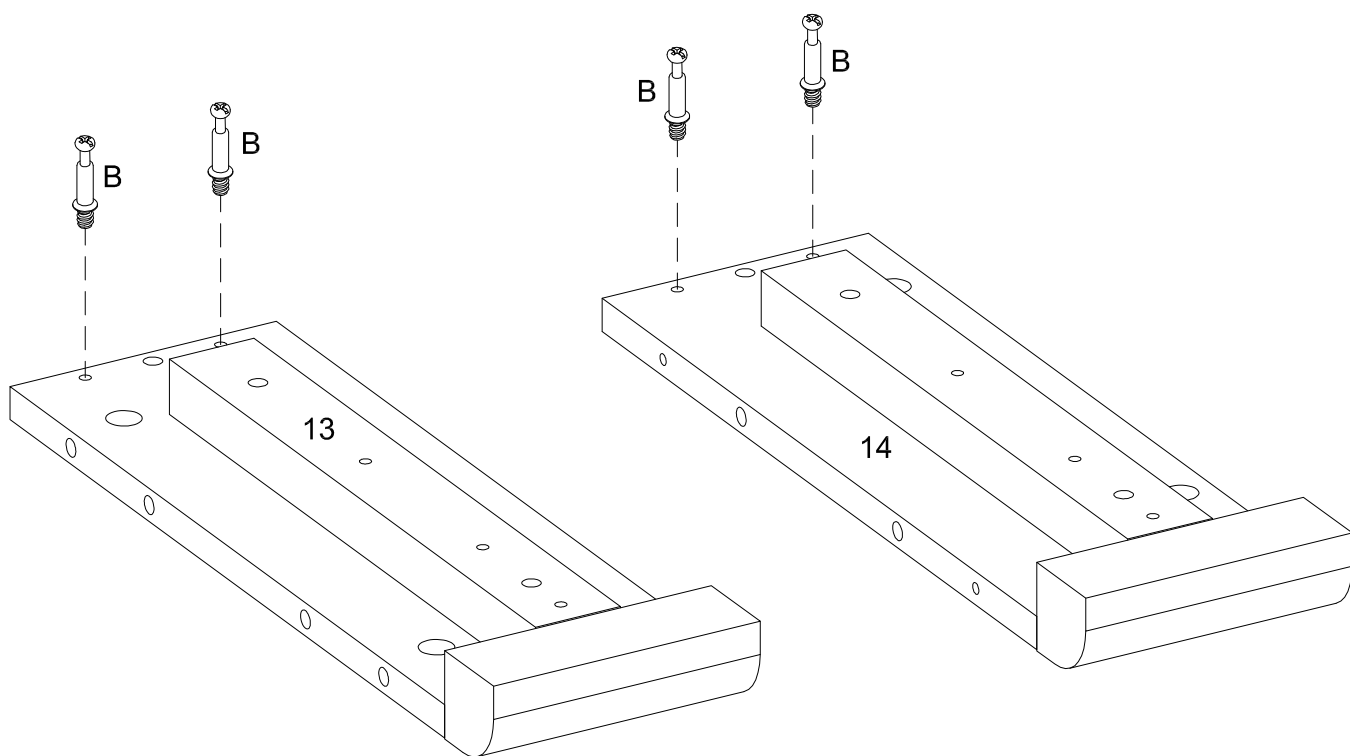
## Step 21



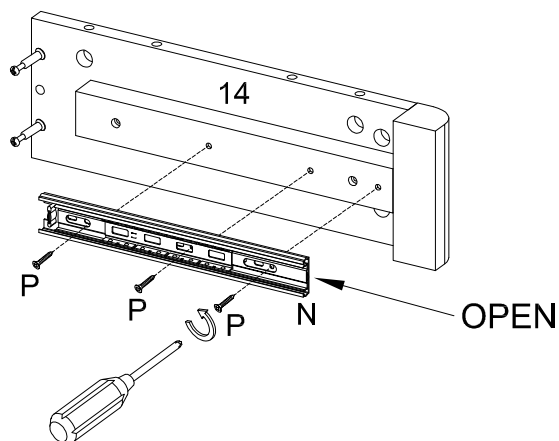
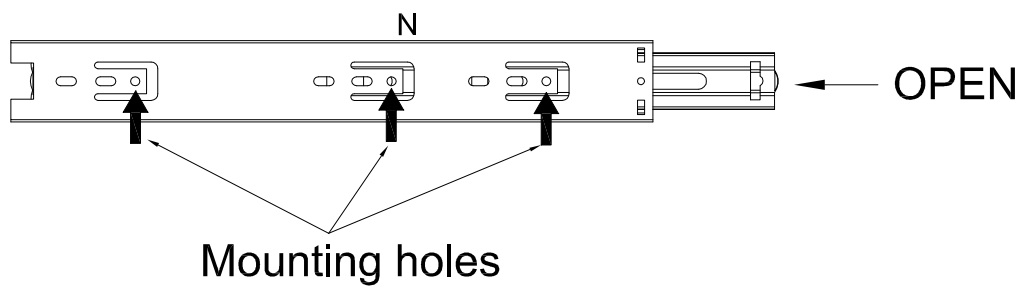
## Step 22



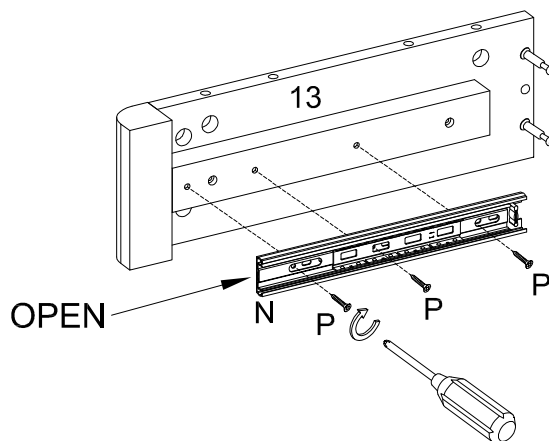
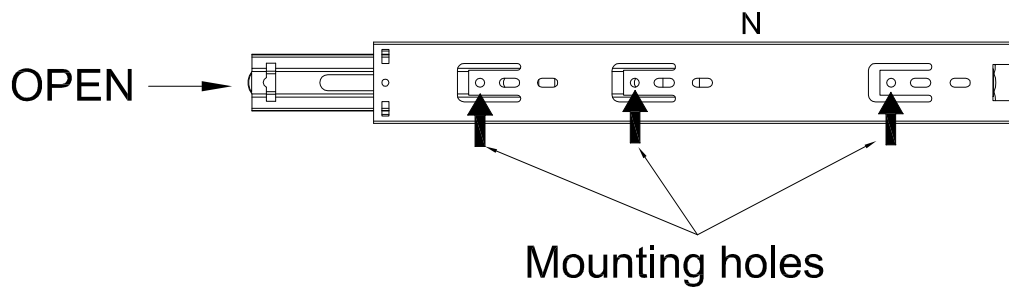
# Step 23



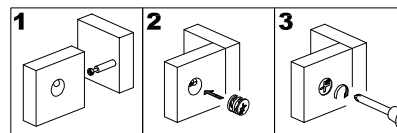
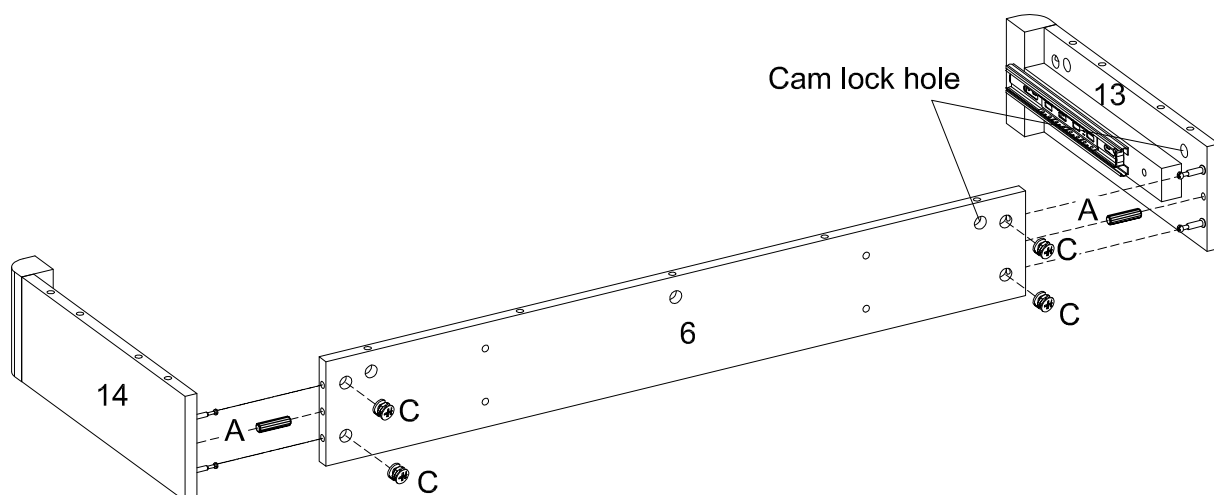
# Step 24



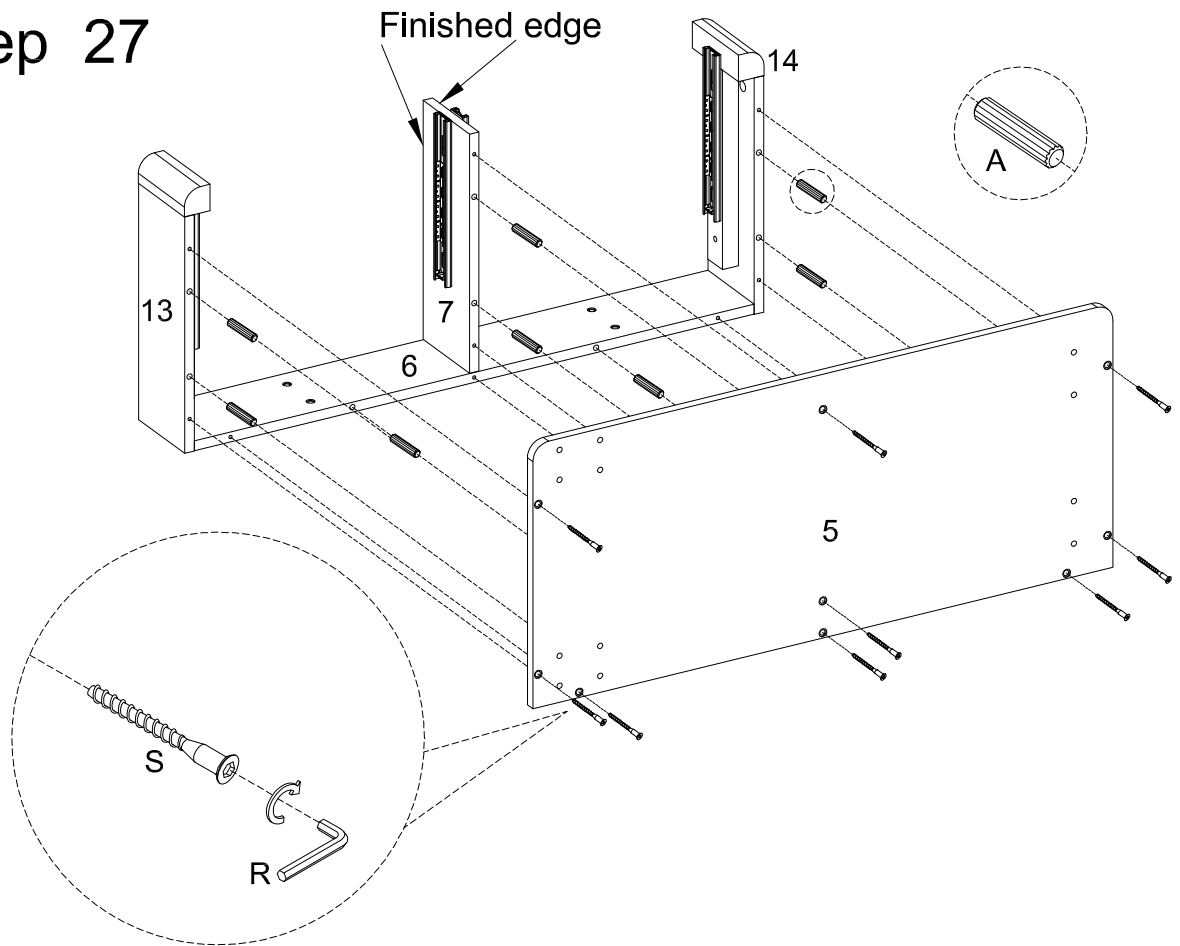
# Step 25



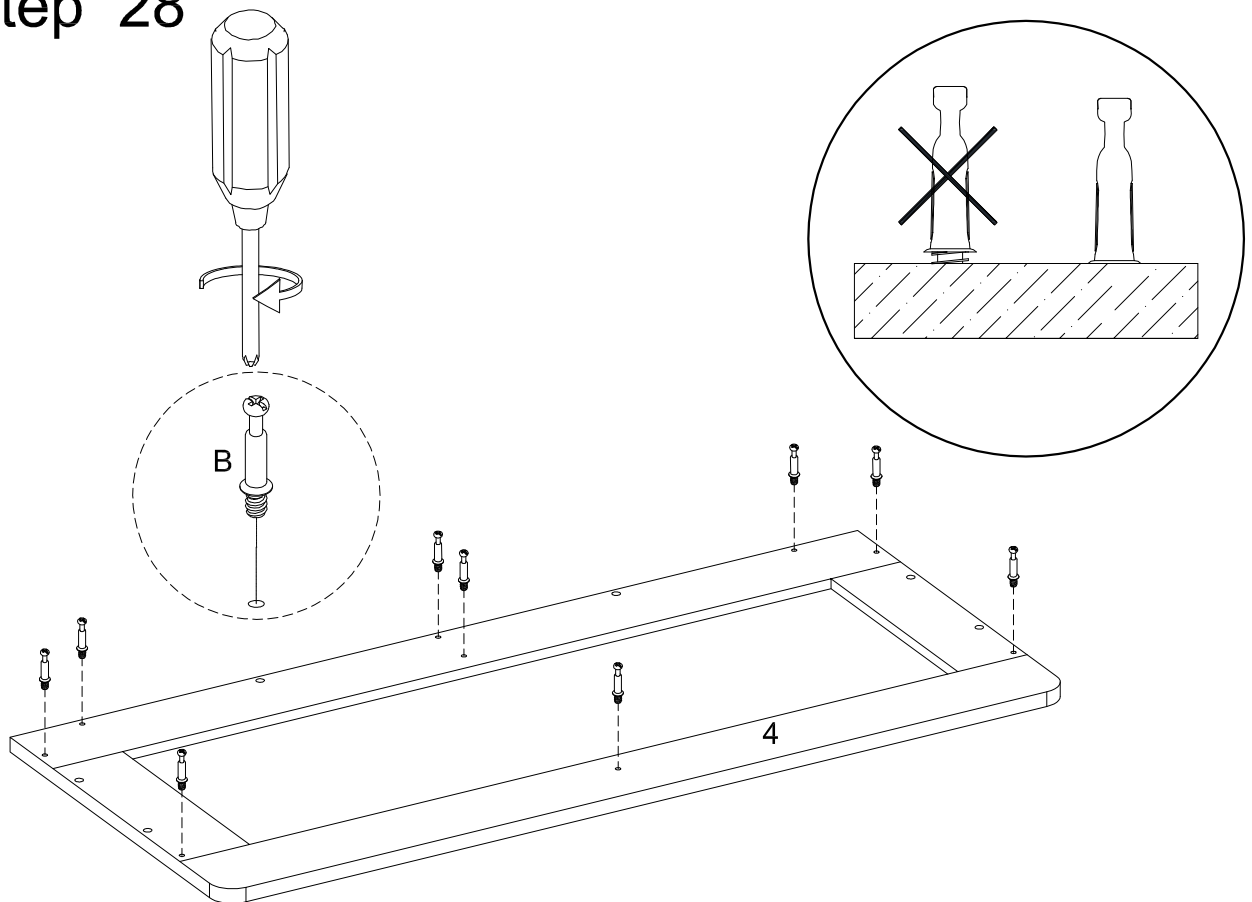
# Step 26



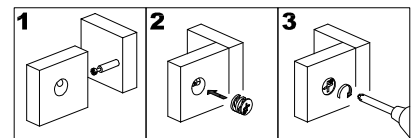
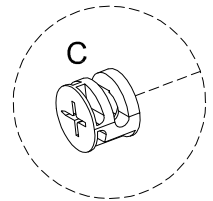
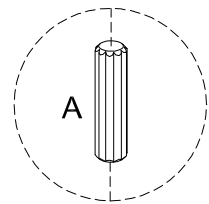
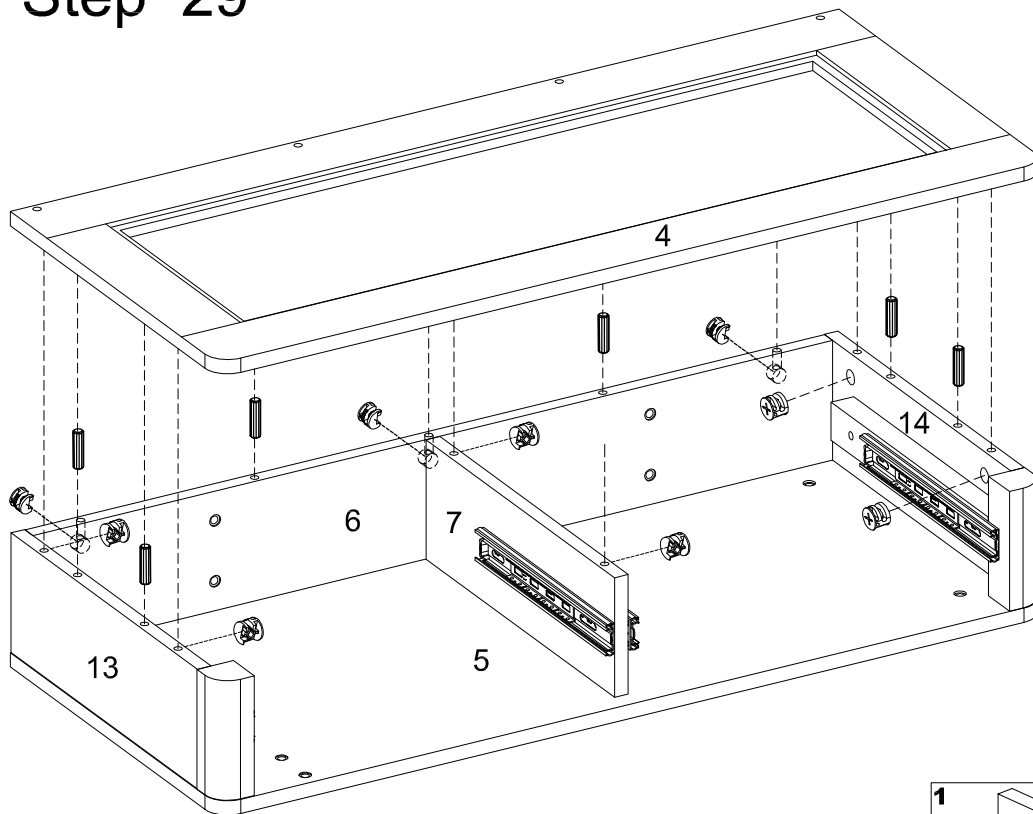
# Step 27



# Step 28

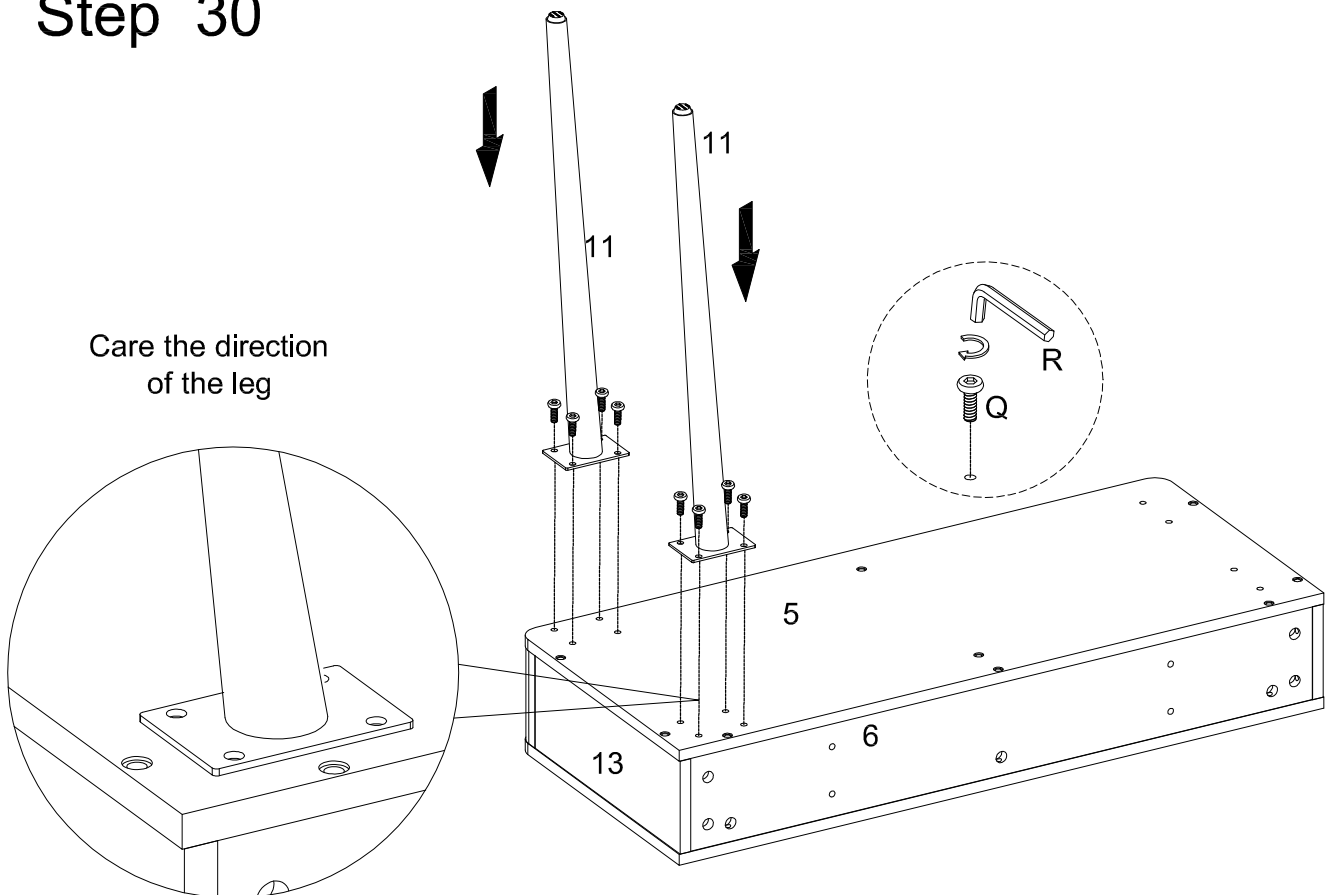


# Step 29

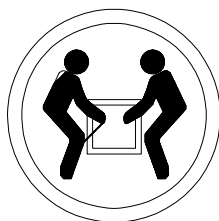
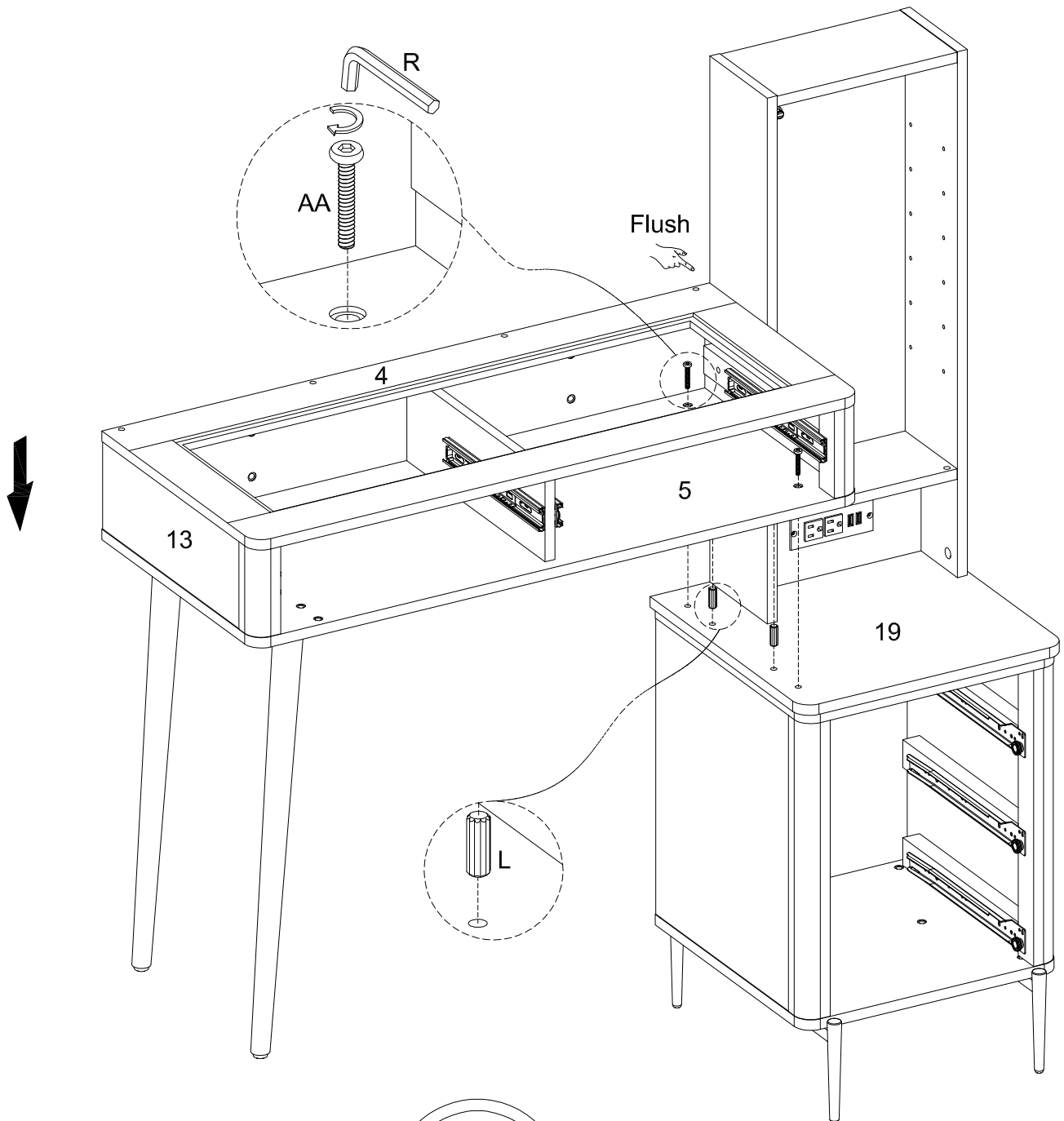


# Step 30

Care the direction  
of the leg

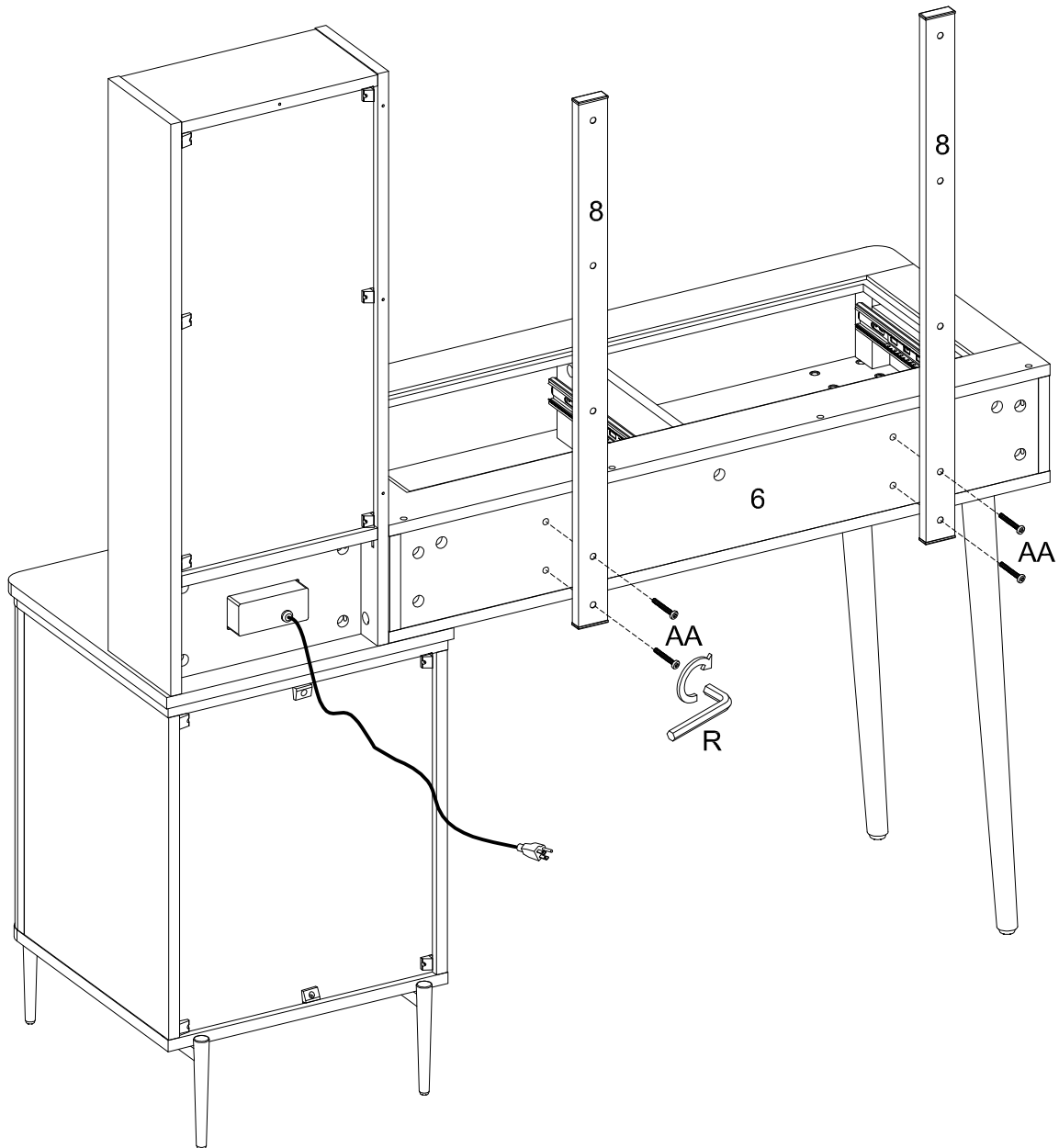


# Step 31



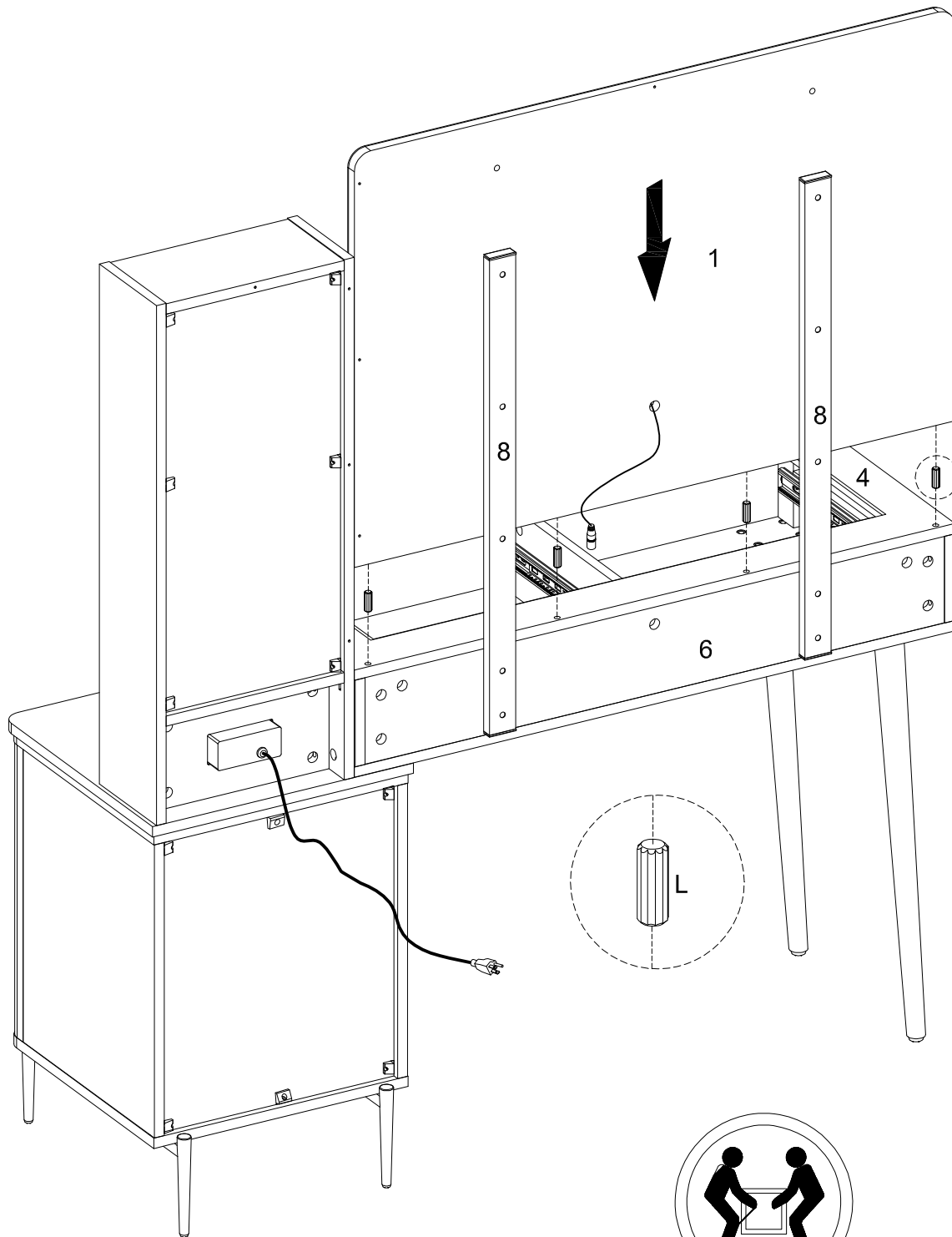
**CAUTION: Heavy! You may need assistance with this step.**

## Step 32



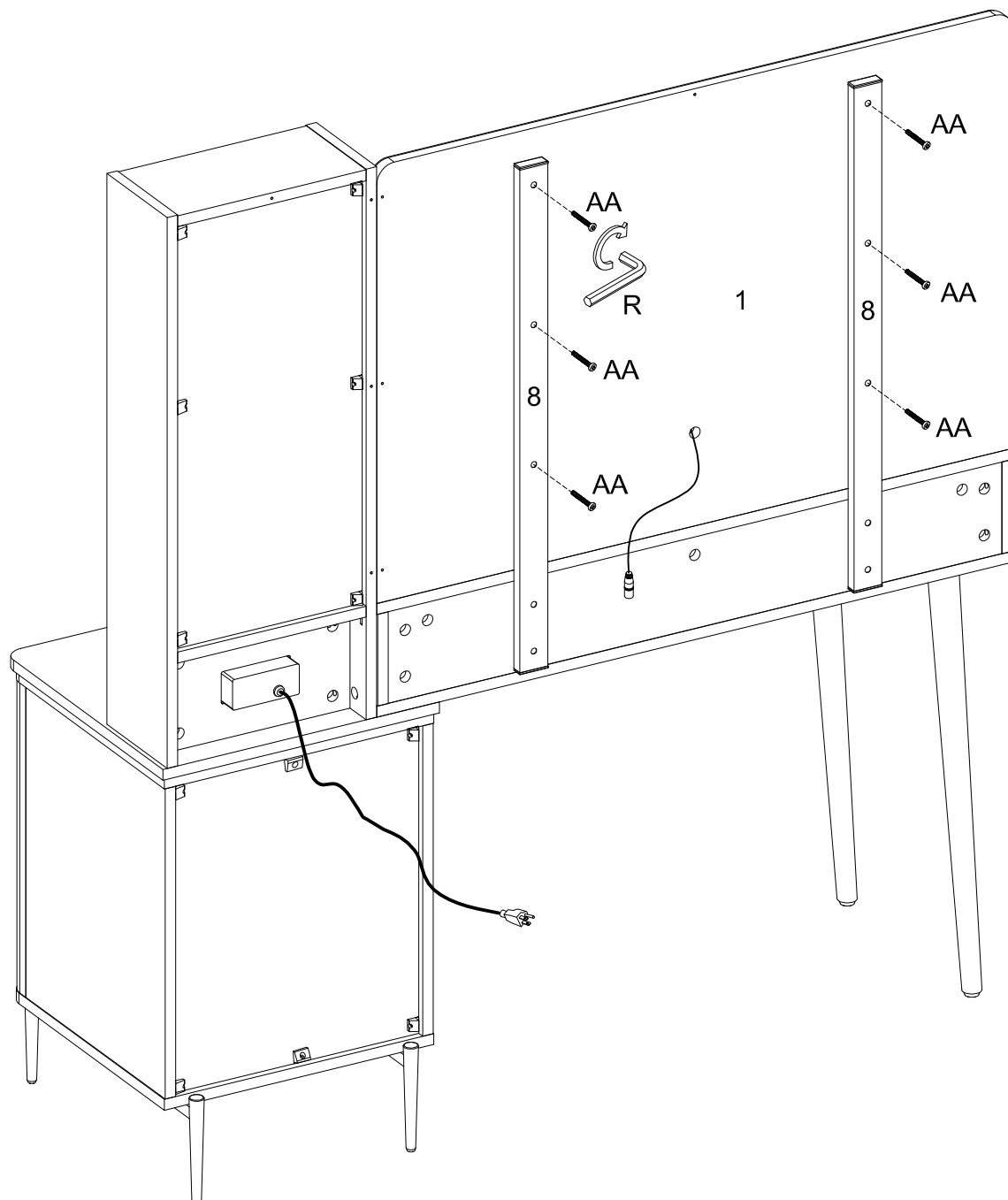
Note: Do not fully tighten bolt (AA) until aligned all bolts (including Step 34 ), This will help this metal tube (8) to be fixed easily.

# Step 33

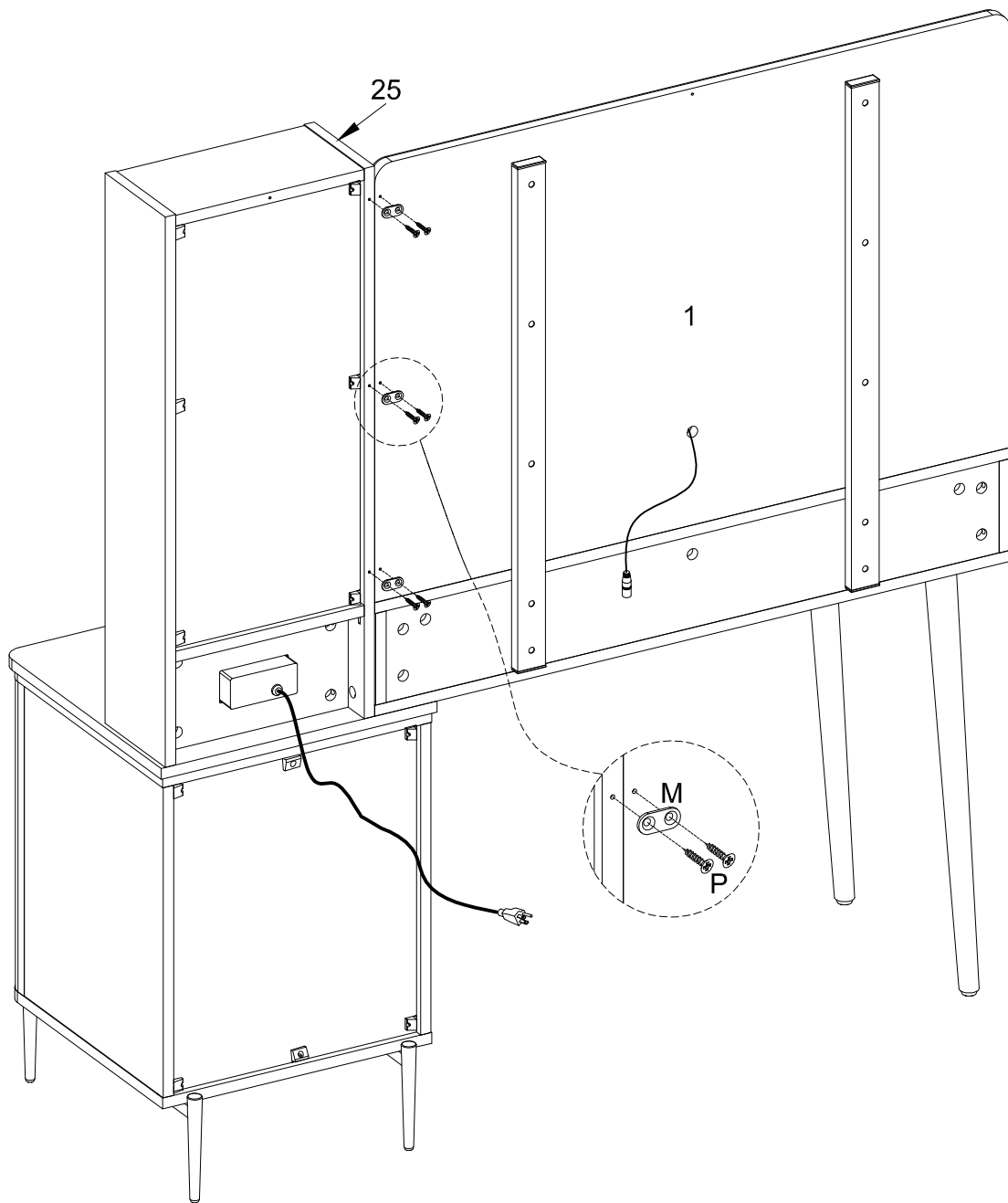


**CAUTION: Heavy! You may need assistance with this step.**

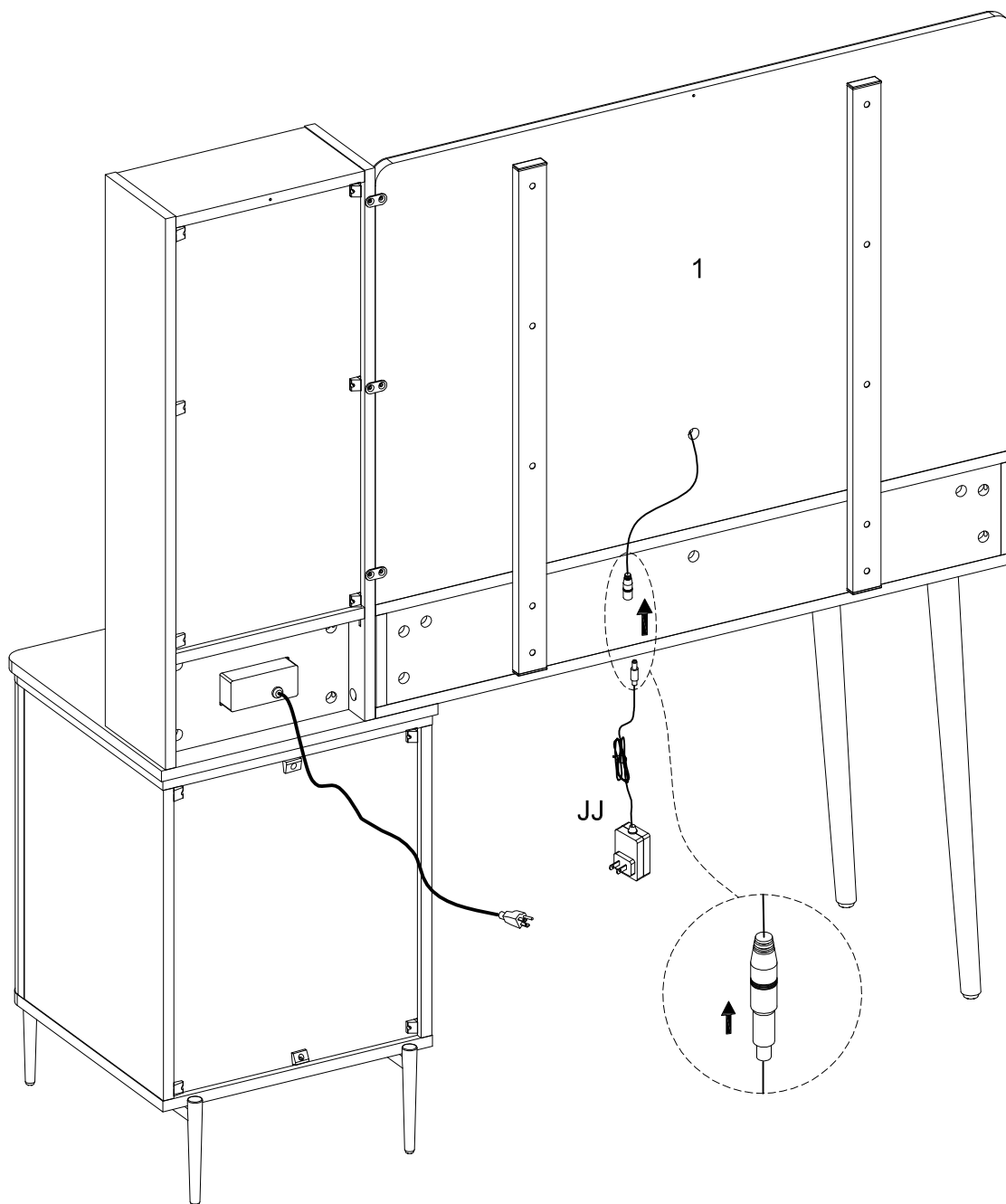
# Step 34



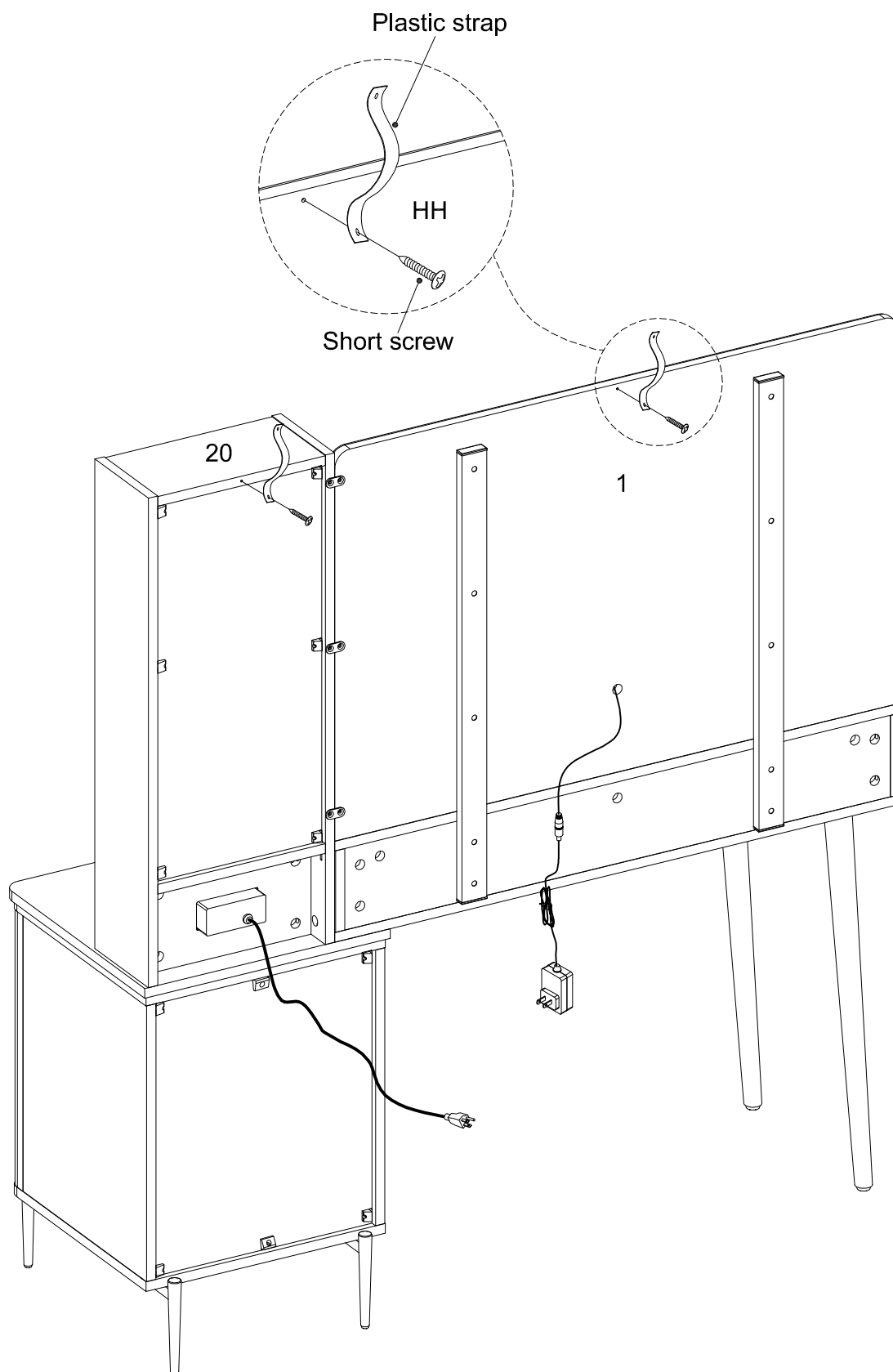
# Step 35



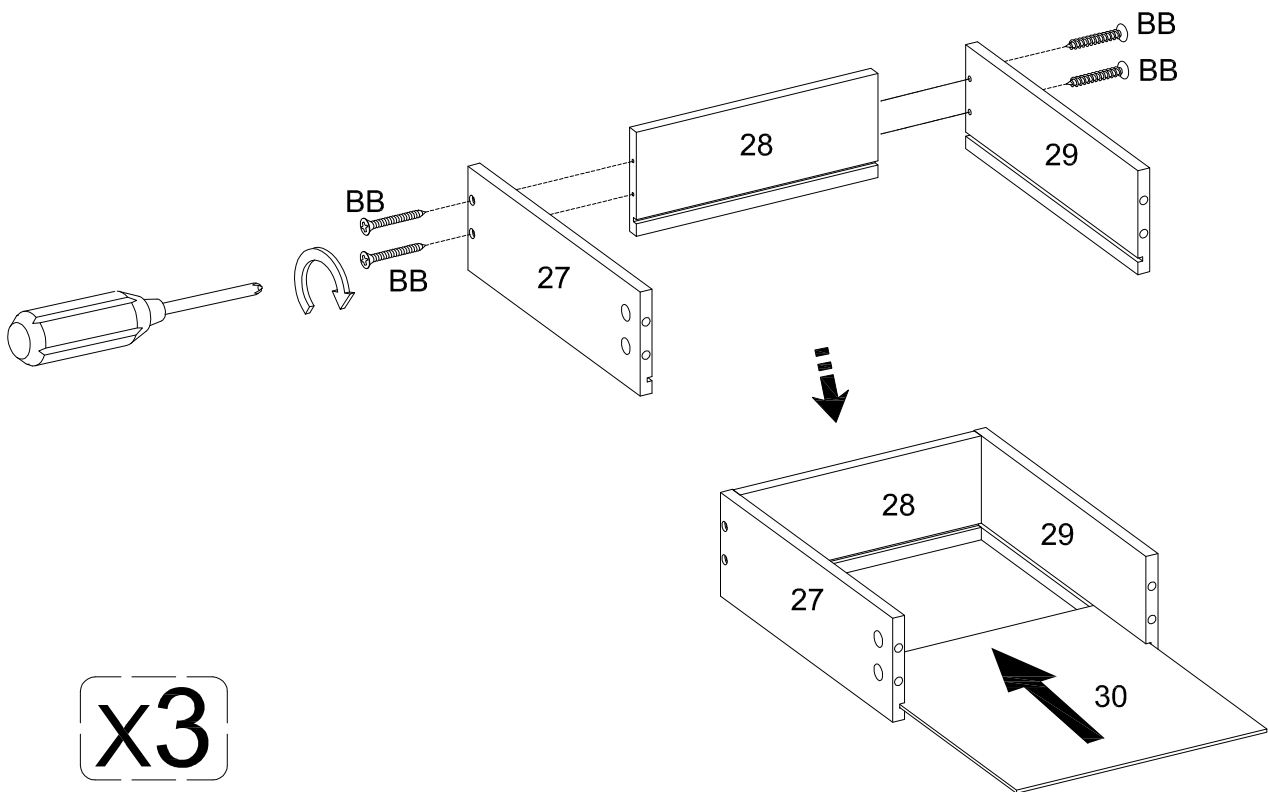
# Step 36



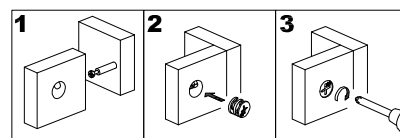
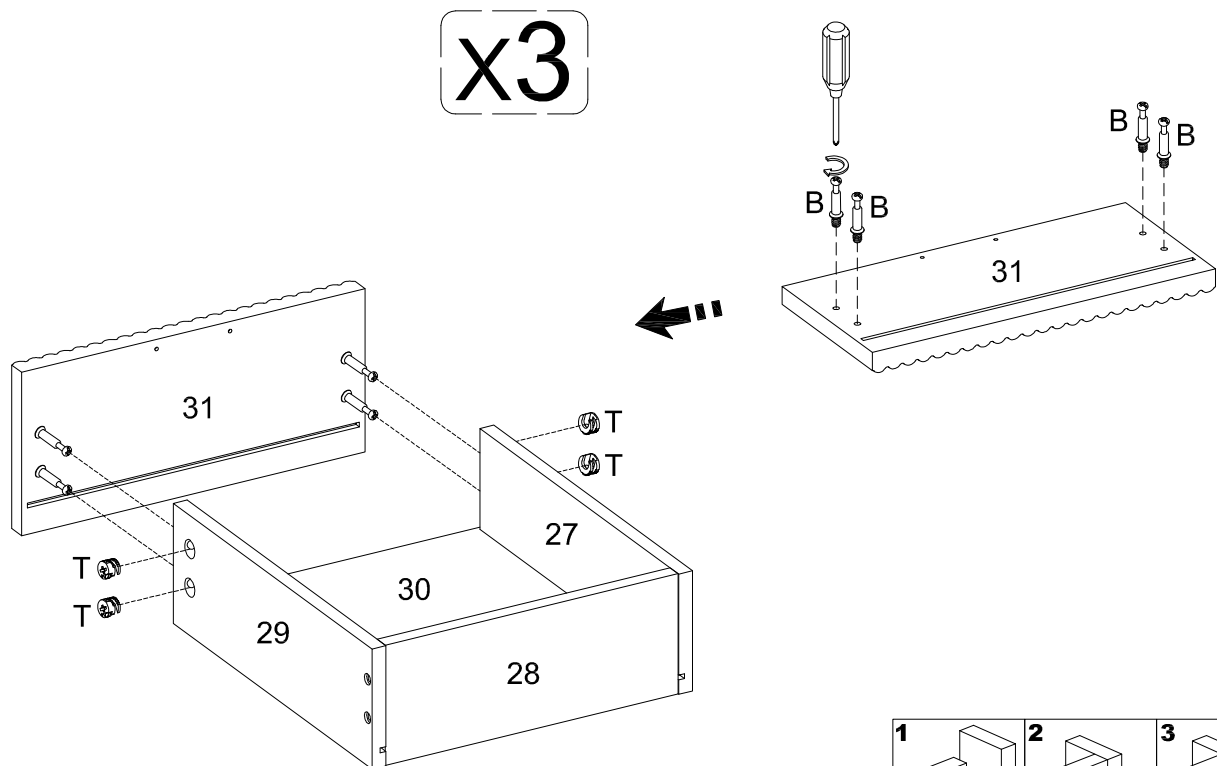
# Step 37



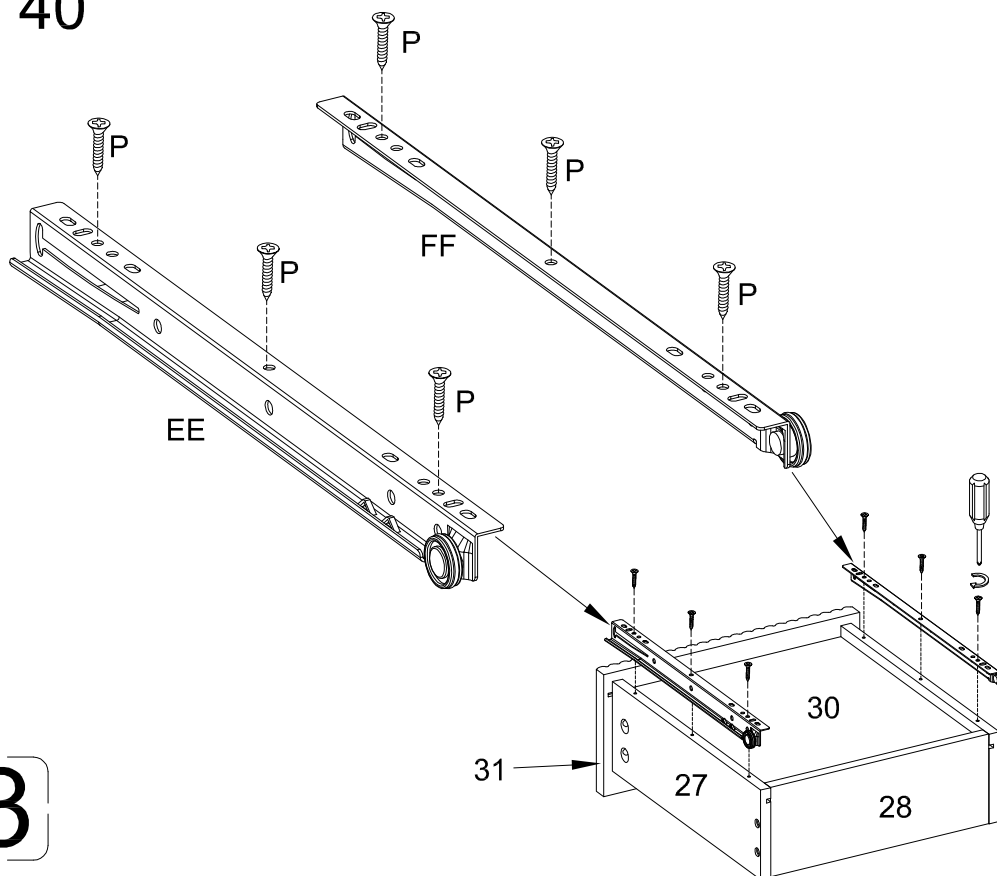
# Step 38



# Step 39

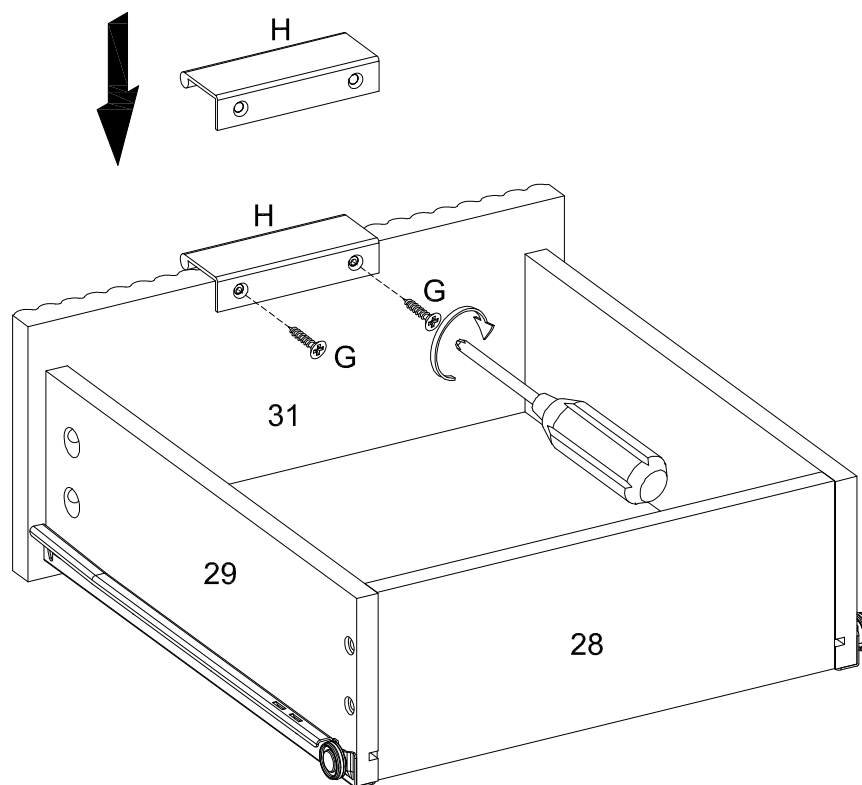


# Step 40



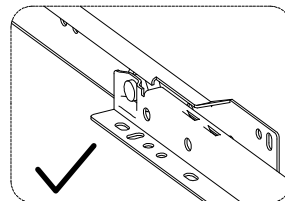
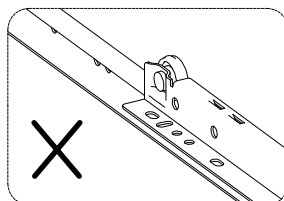
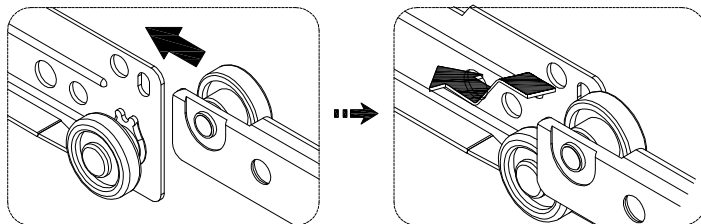
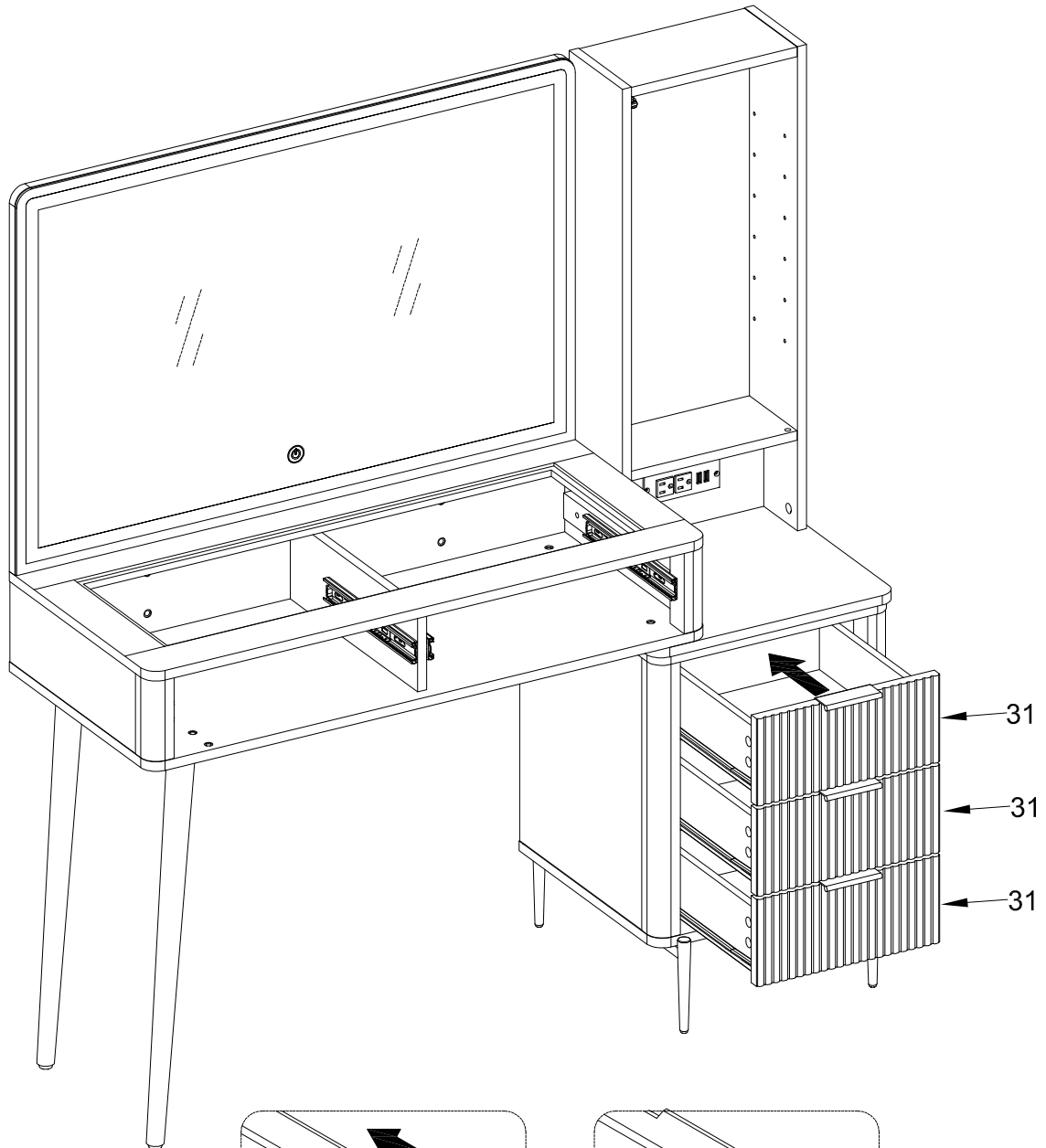
x3

# Step 41

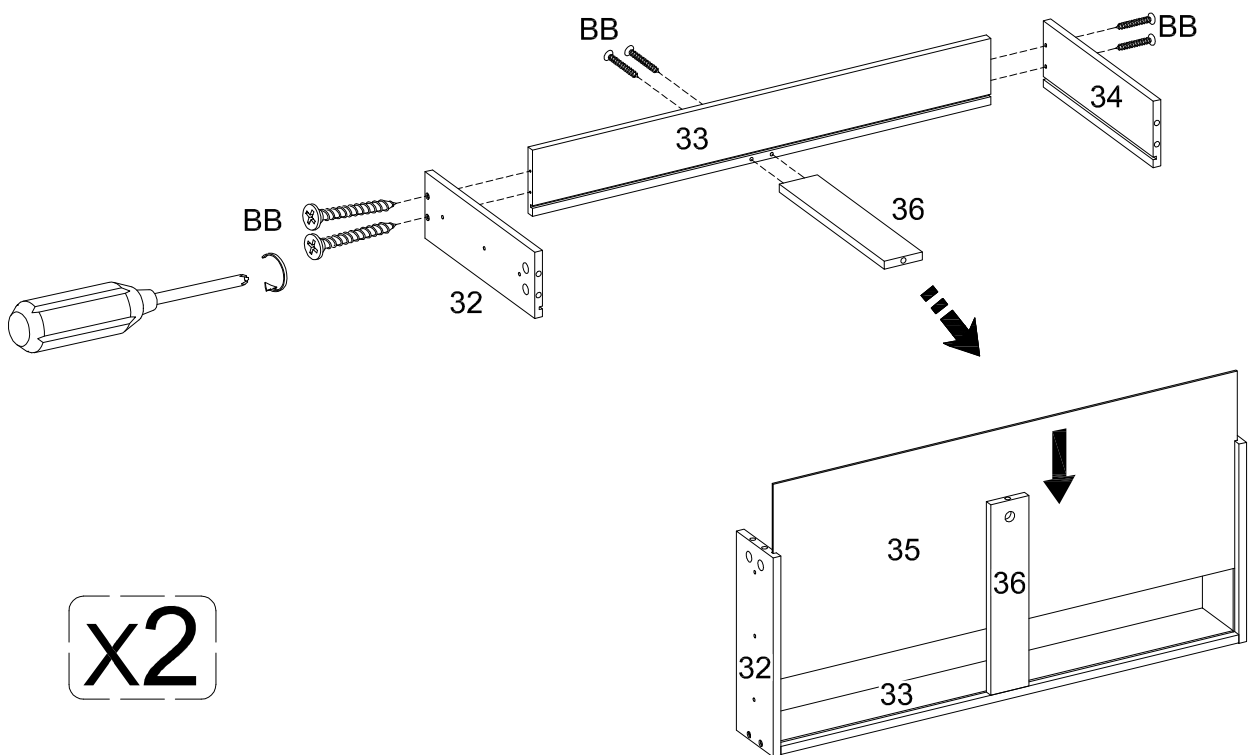


x3

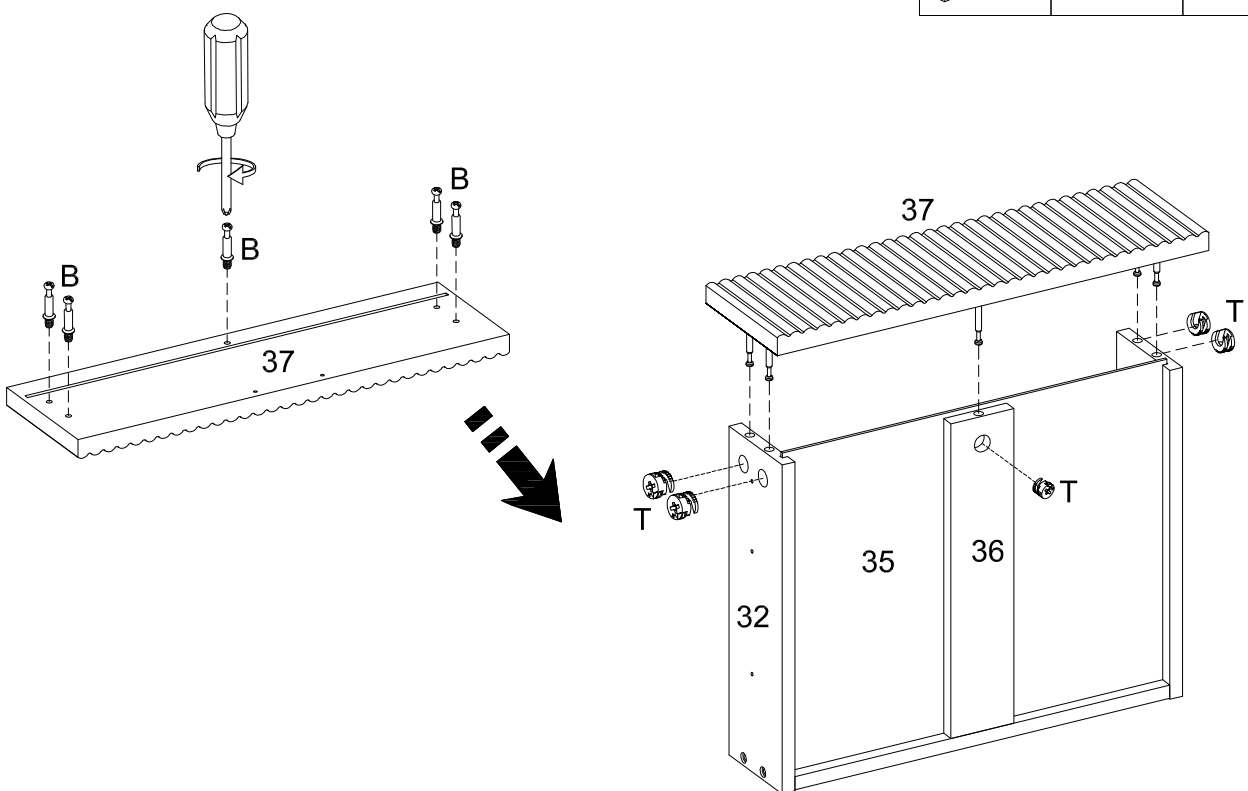
# Step 42



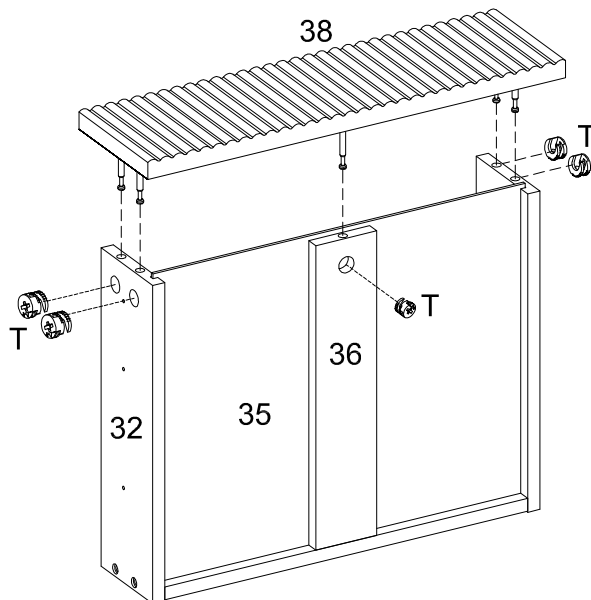
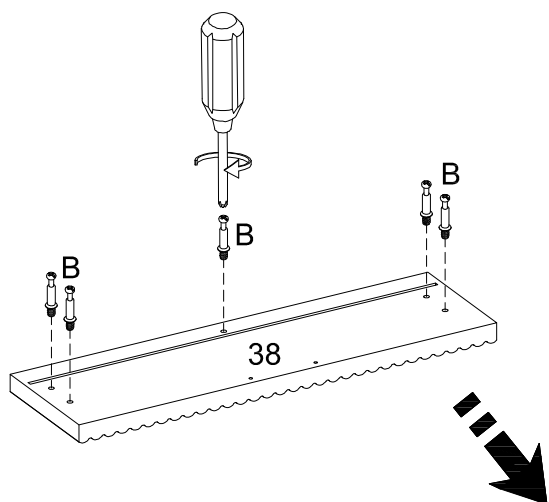
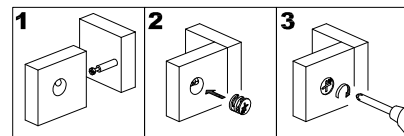
# Step 43



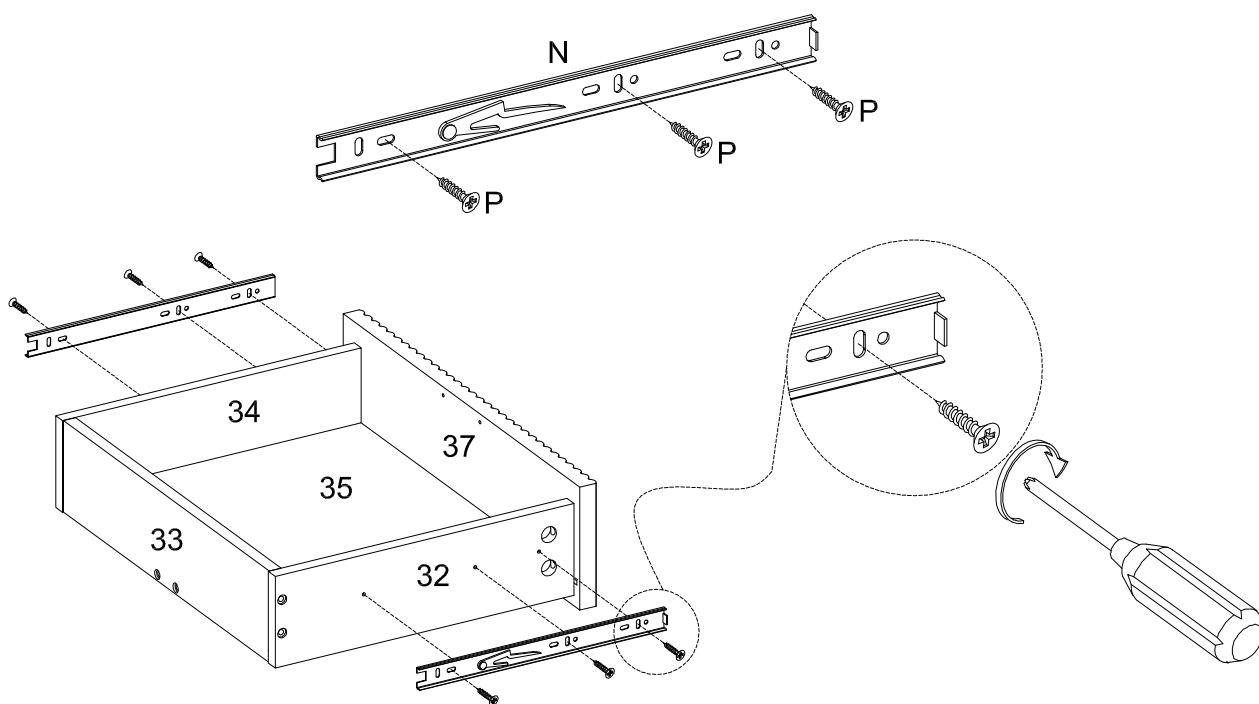
# Step 44



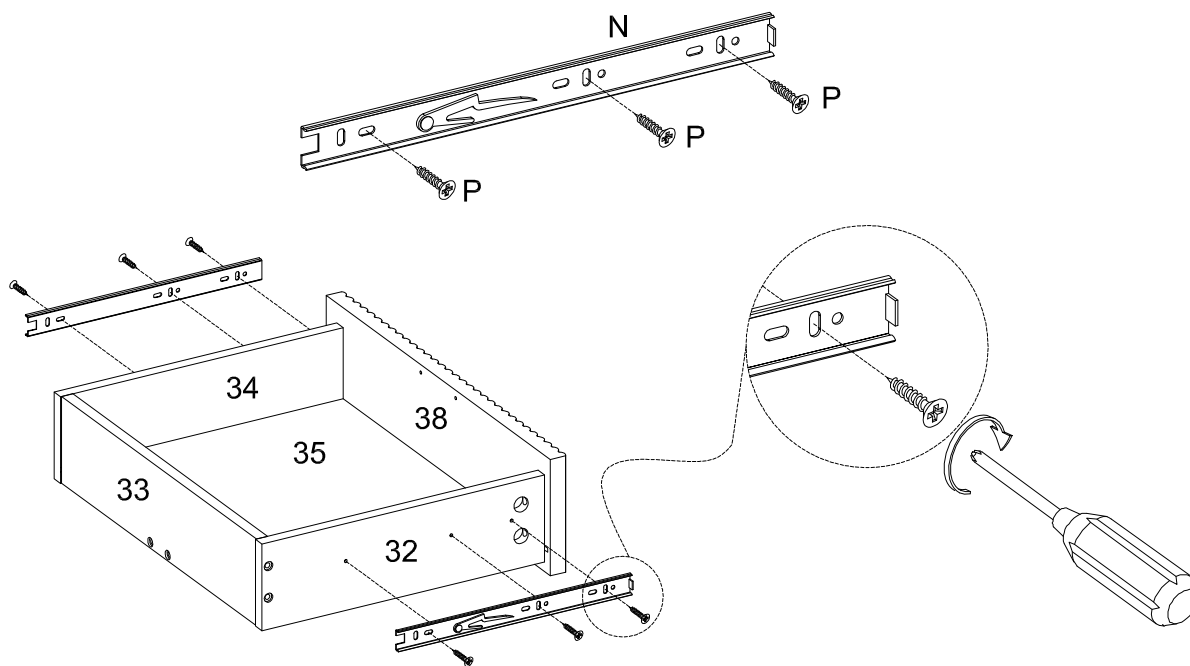
# Step 45



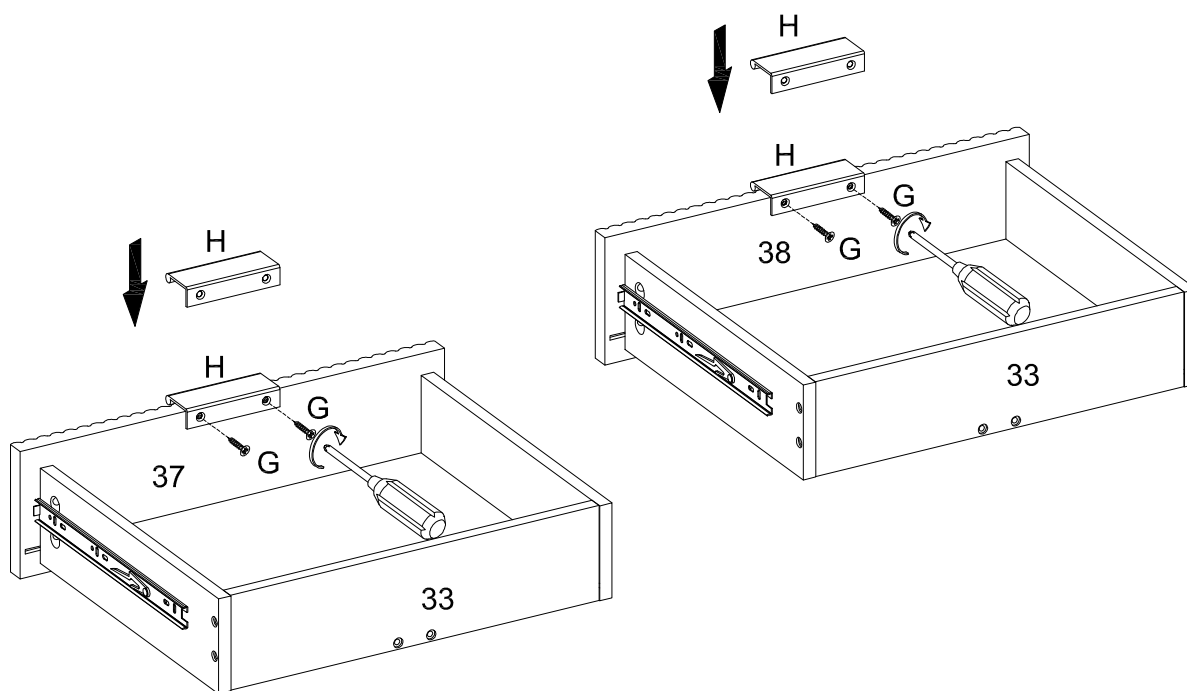
# Step 46



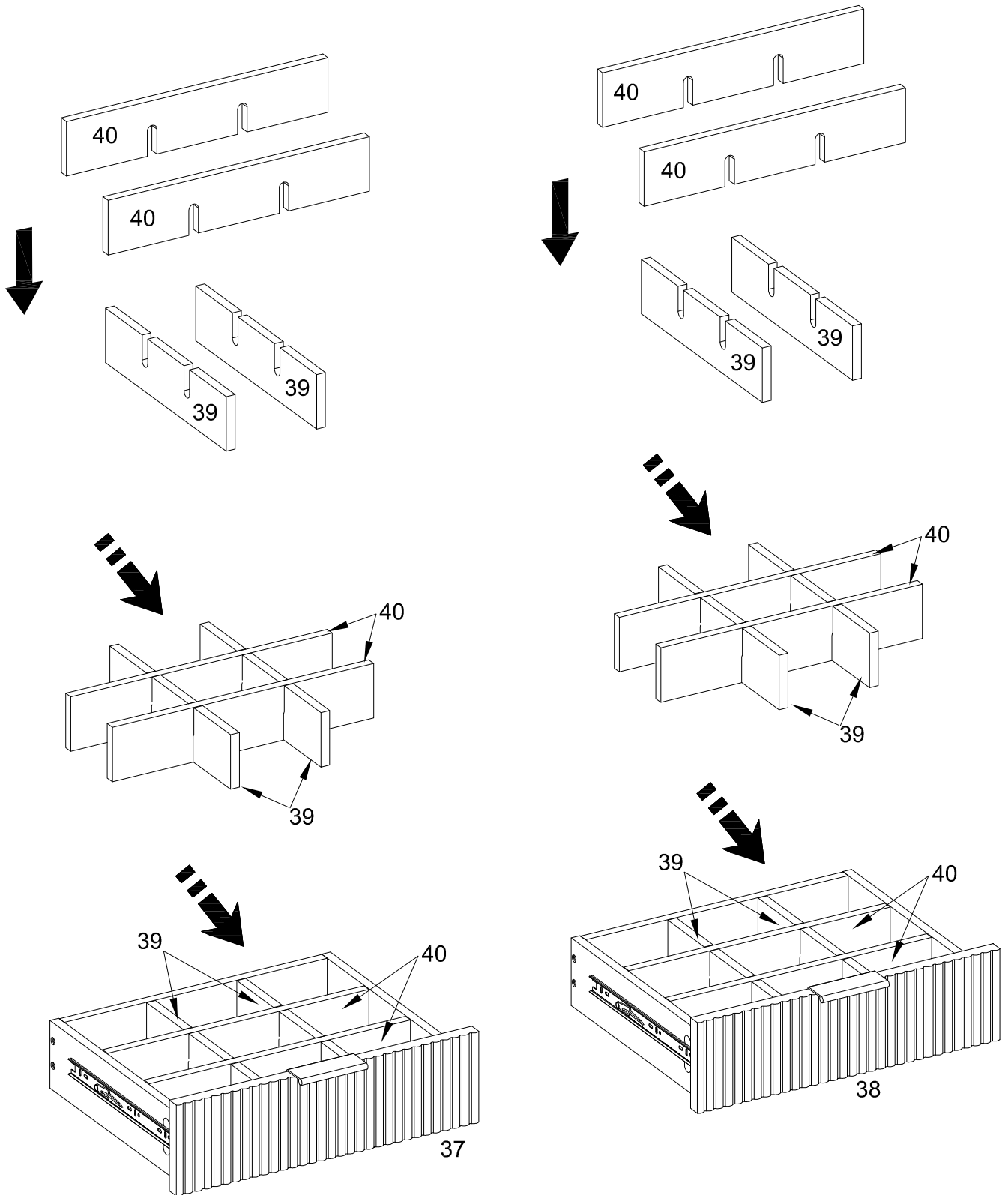
# Step 47



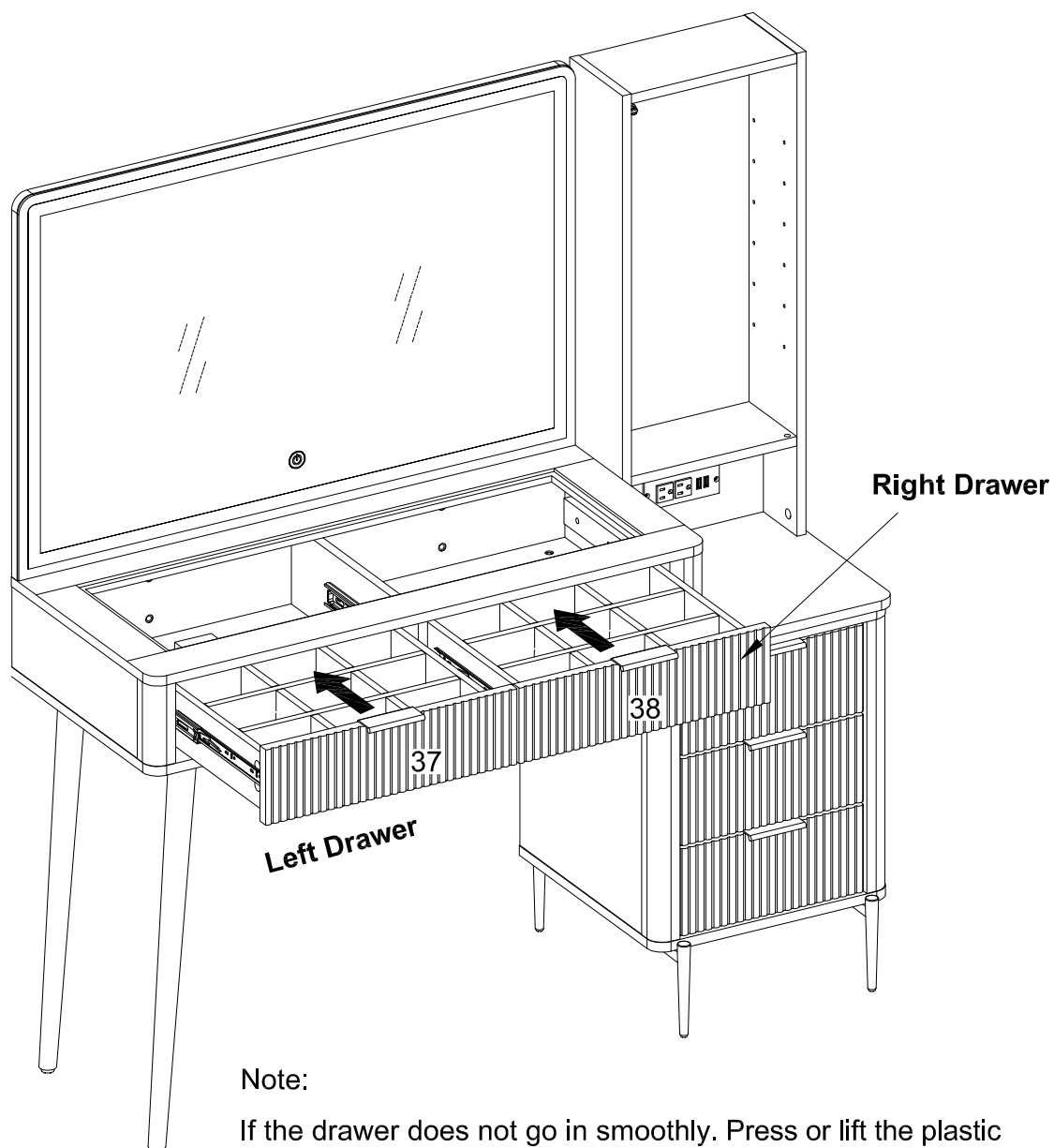
# Step 48



# Step 49

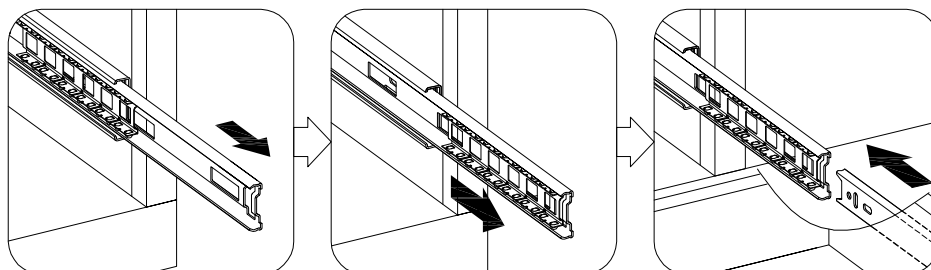


# Step 50

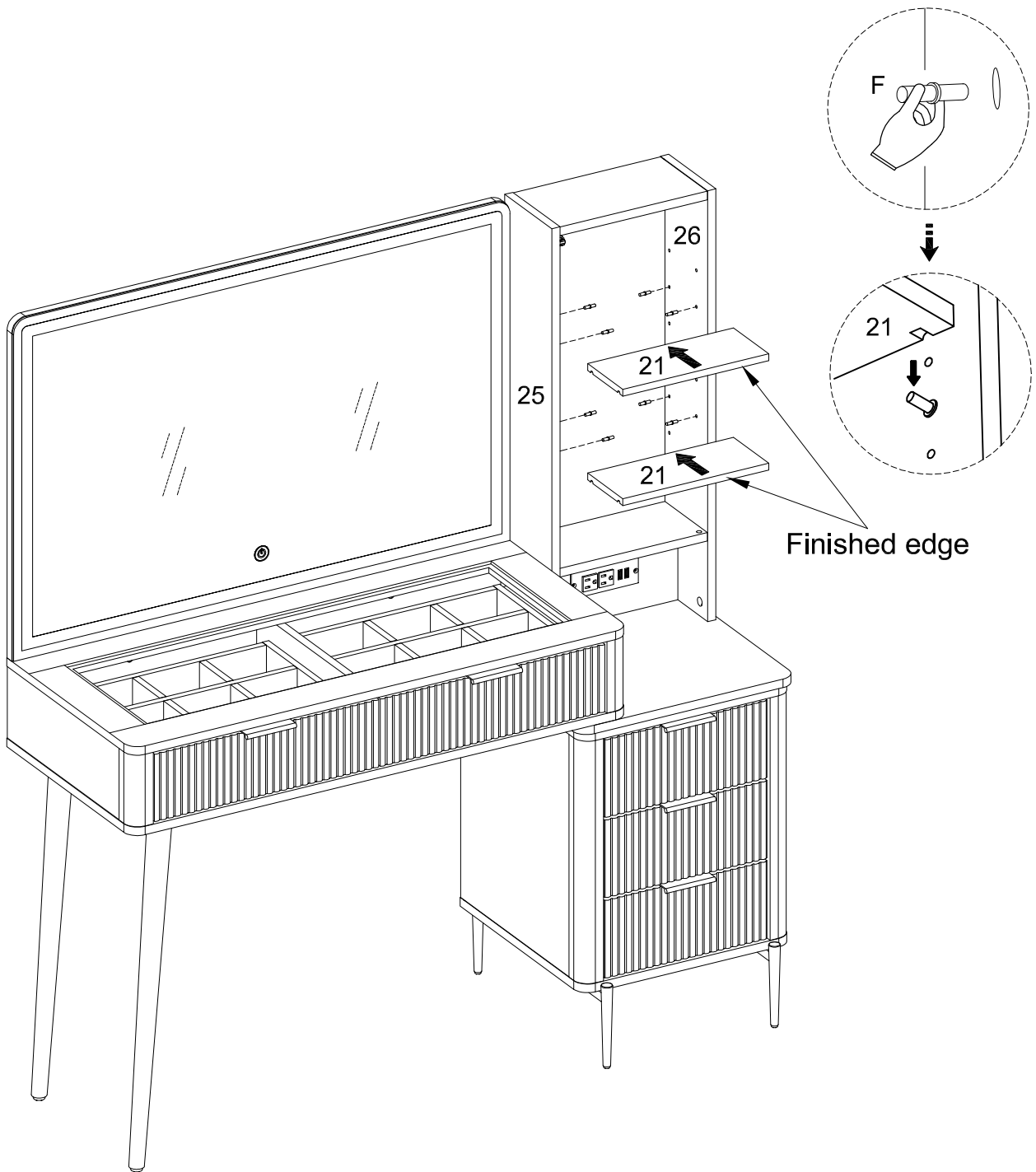


## Note:

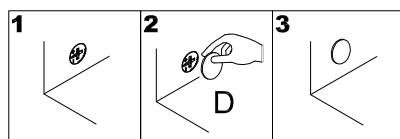
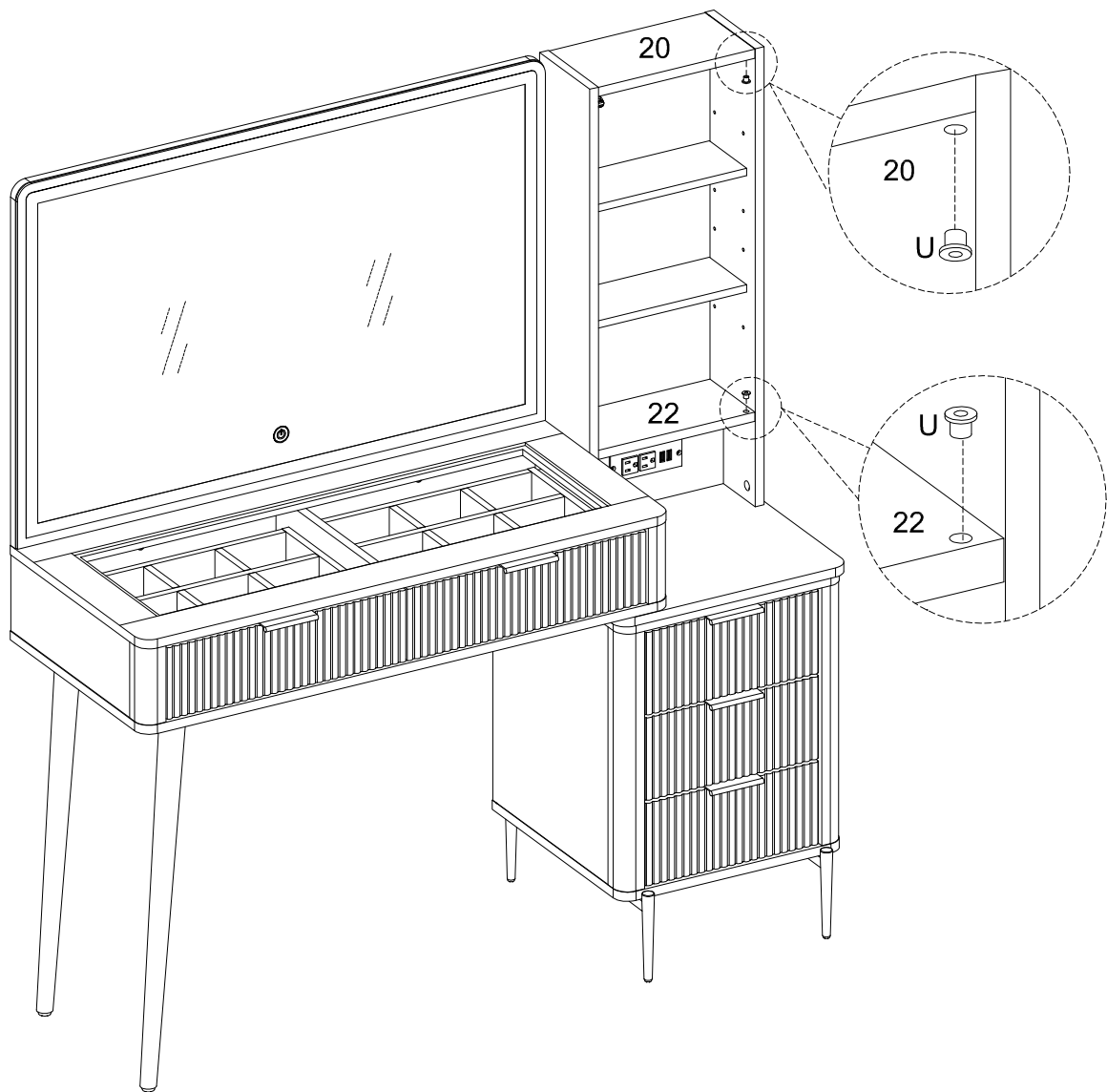
If the drawer does not go in smoothly. Press or lift the plastic release lever. Pull out the slider bracket from the slider arm. Loosen the screws(p) on slider brackets, You can adjust up or down by a few mm. Then tighten back up. Finally re-assembled the drawer until they were going in smoothly well.



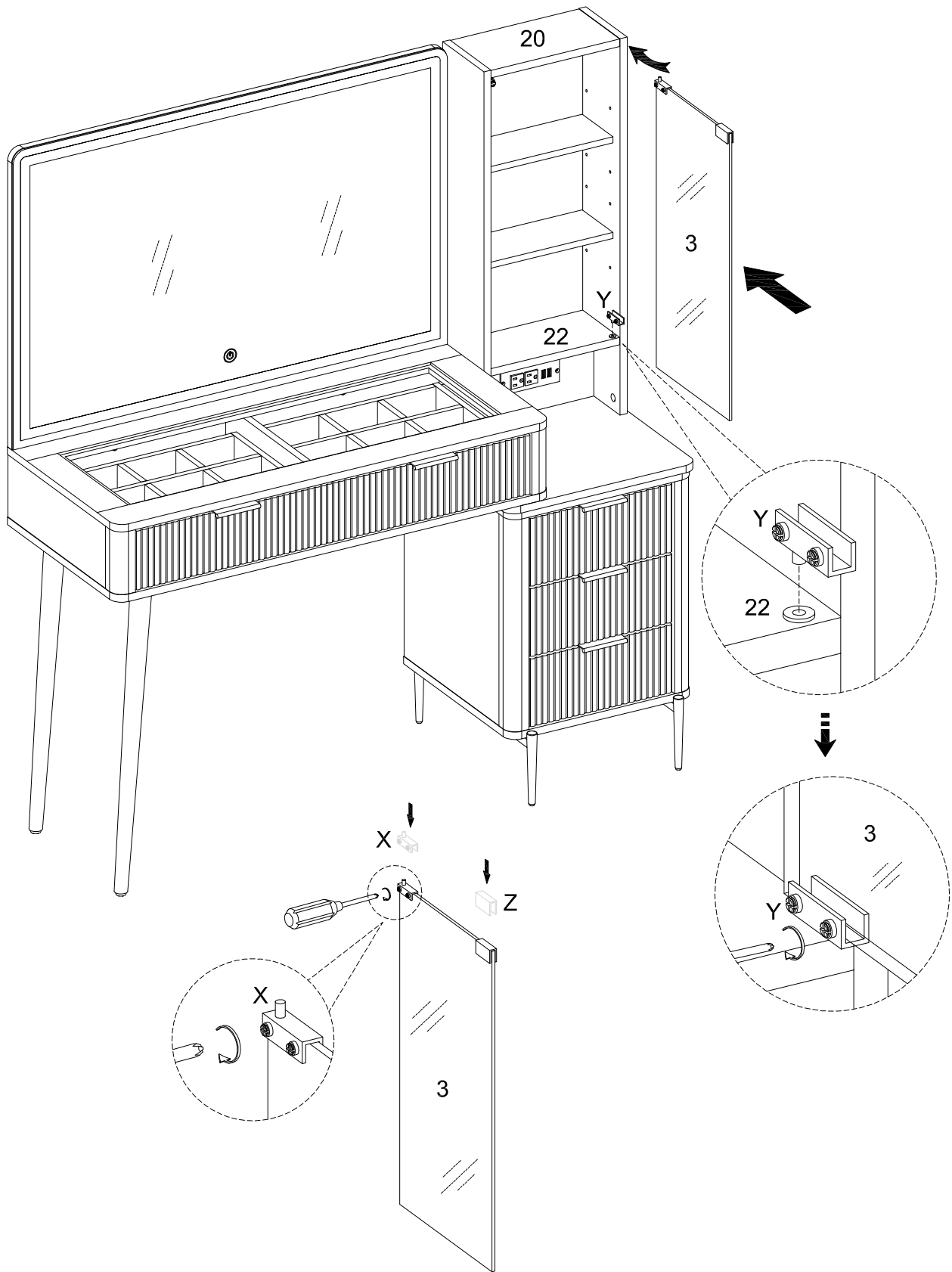
# Step 51



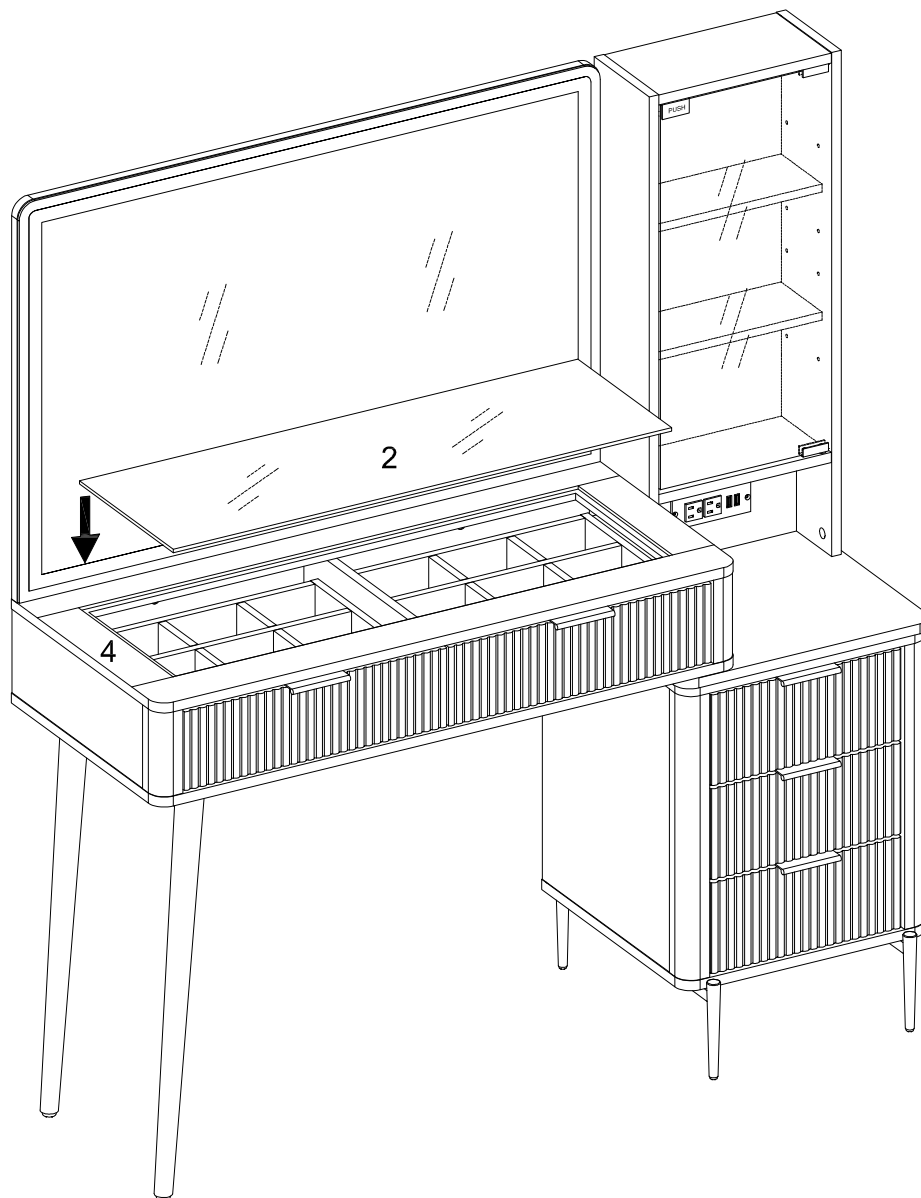
# Step 52



# Step 53

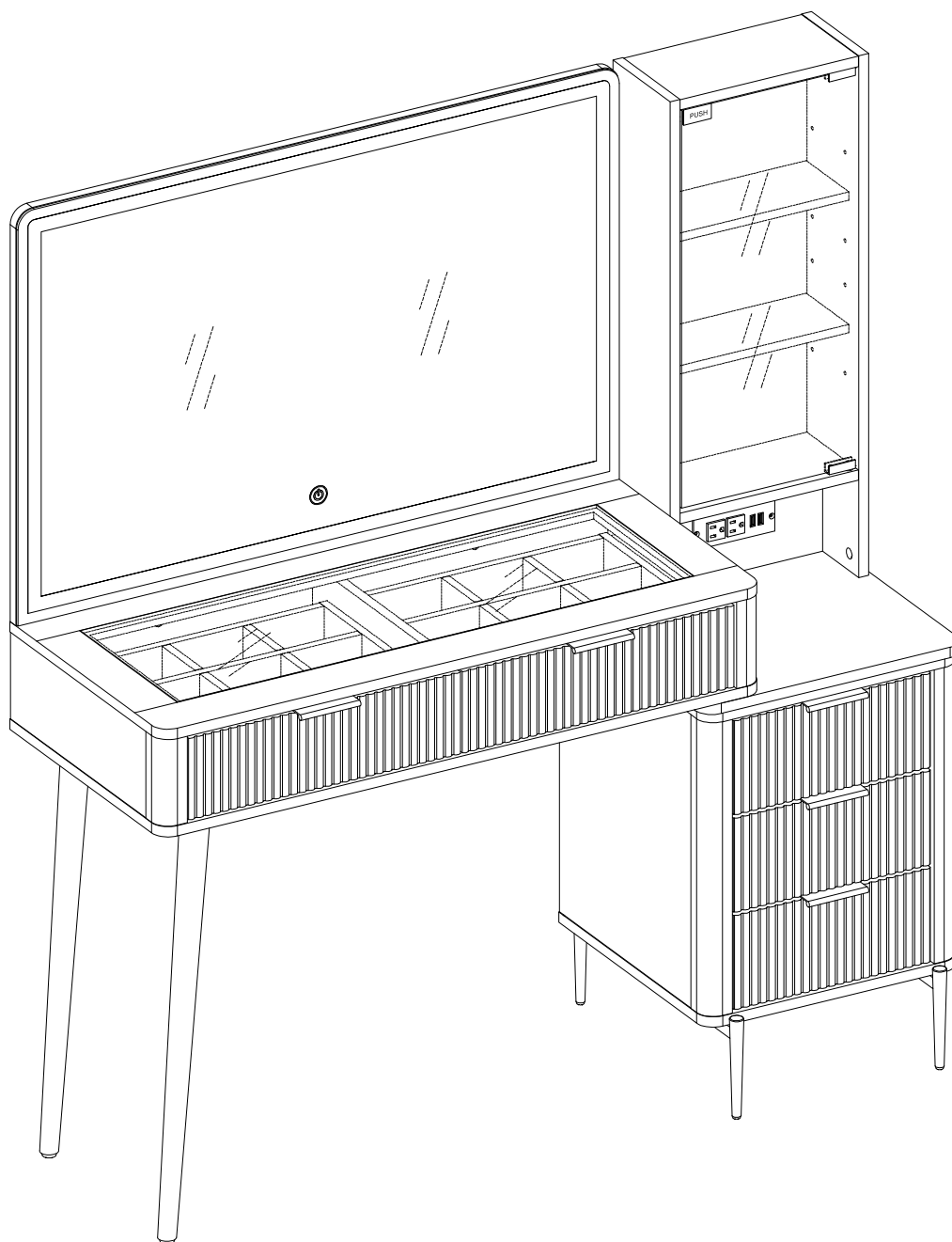


# Step 54





# Step 56



Final Assembly