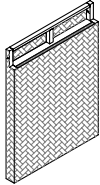
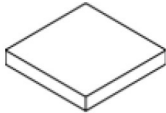
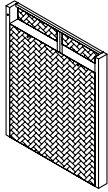

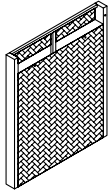

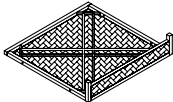

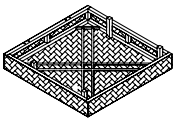

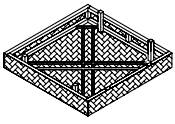

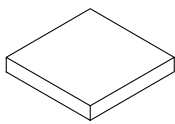

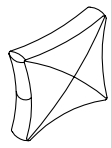





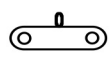


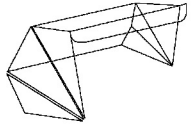

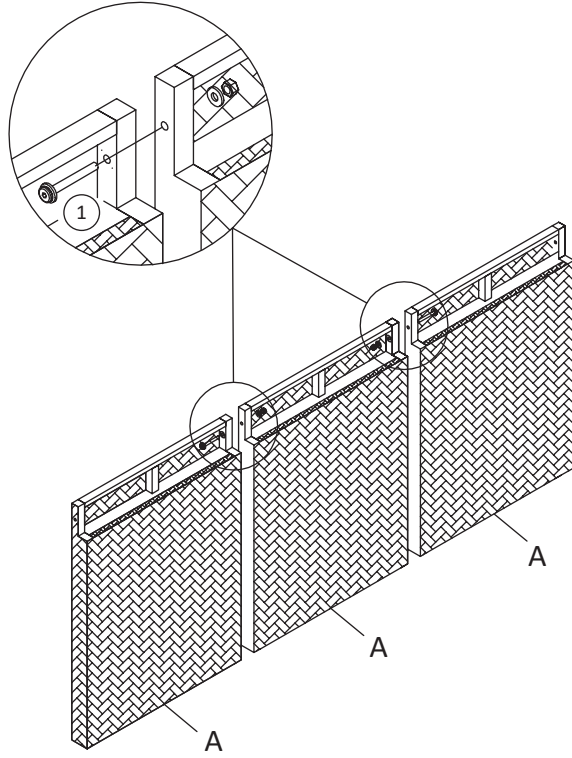


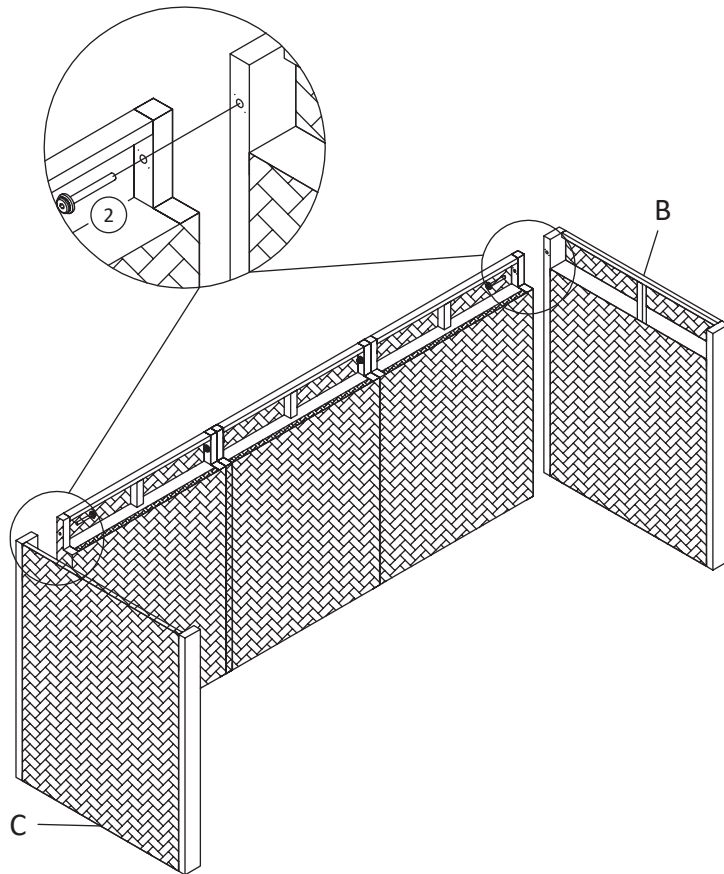
A		x3	M		x3
B		x1	①	 M6x $\frac{55}{2.2}$	x8
C		x1	②	 M6x $\frac{50}{1.9}$	x10
D		x3	③	 M6x $\frac{20}{0.8}$	x48

E		x3	④		x12
F		x3	⑤		x1
G		x6	⑥	 $\frac{8 \times 18 \times 5}{0.31 \times 0.71 \times 0.2}$	x4
H		x3	⑦	 $M6 \times \frac{15}{0.6}$	x24
I		x6	⑧		x8
J		x2	⑨		x2
			⑩		x4
K		x4	⑪		x2
L		x1	⑫		x1

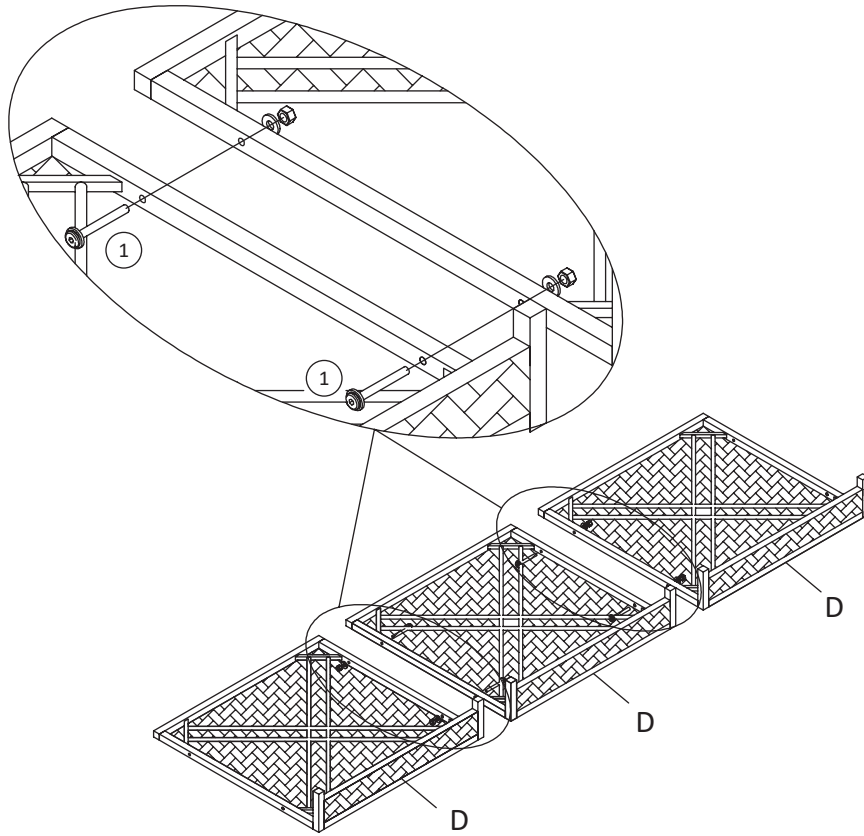
1



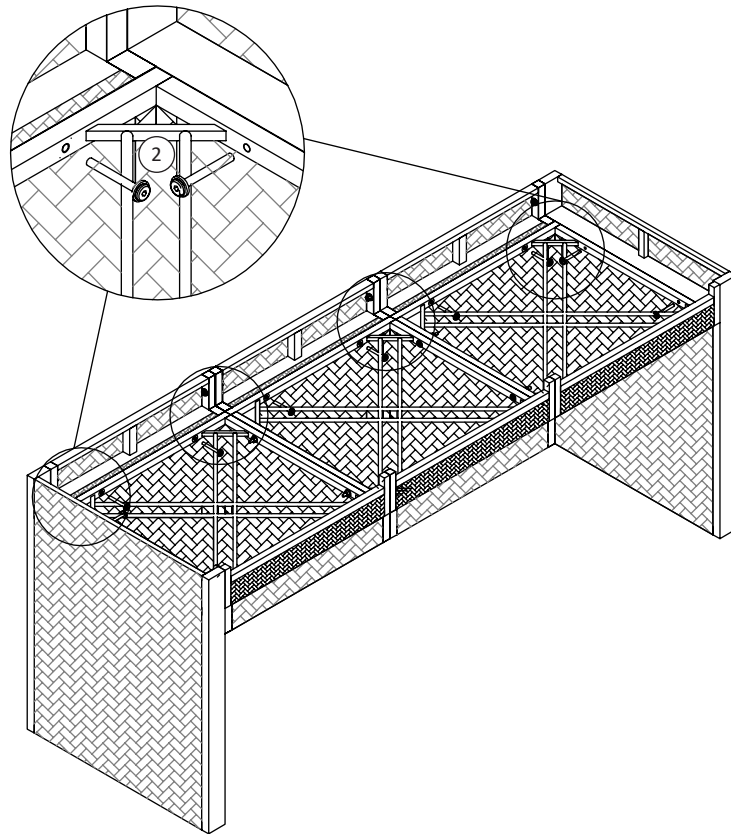
2



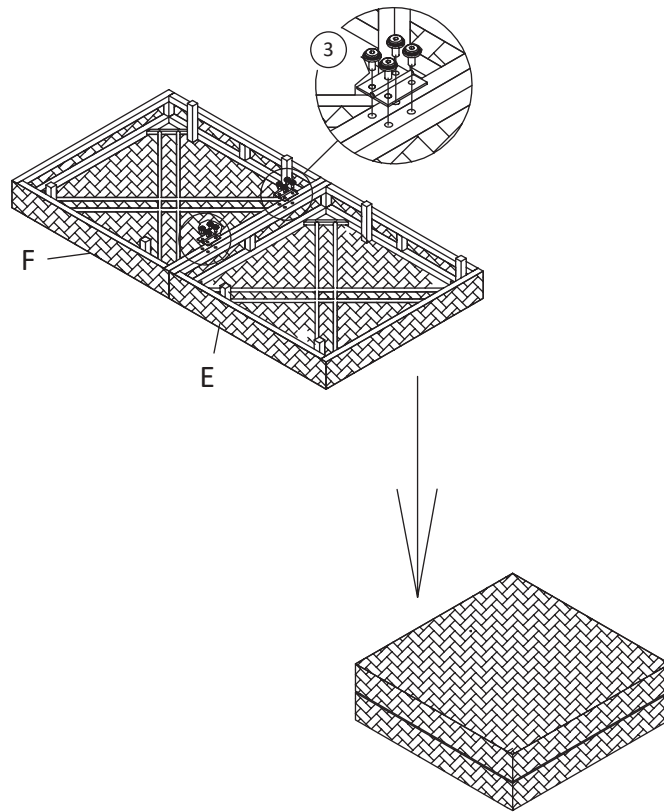
3



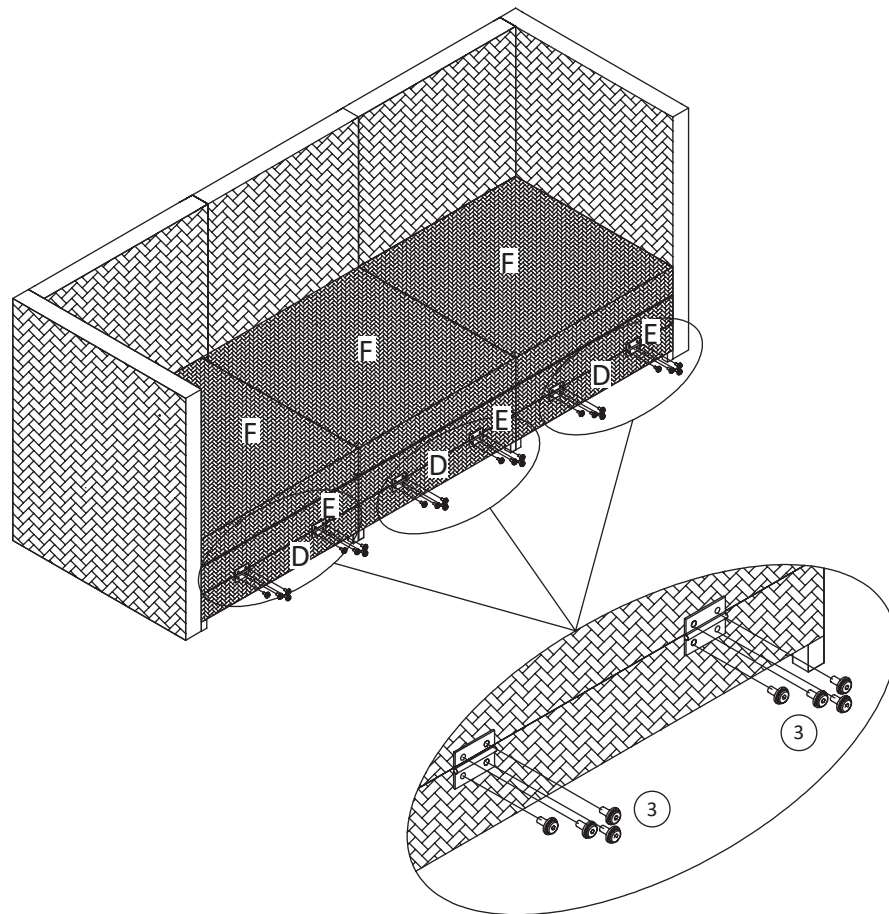
4



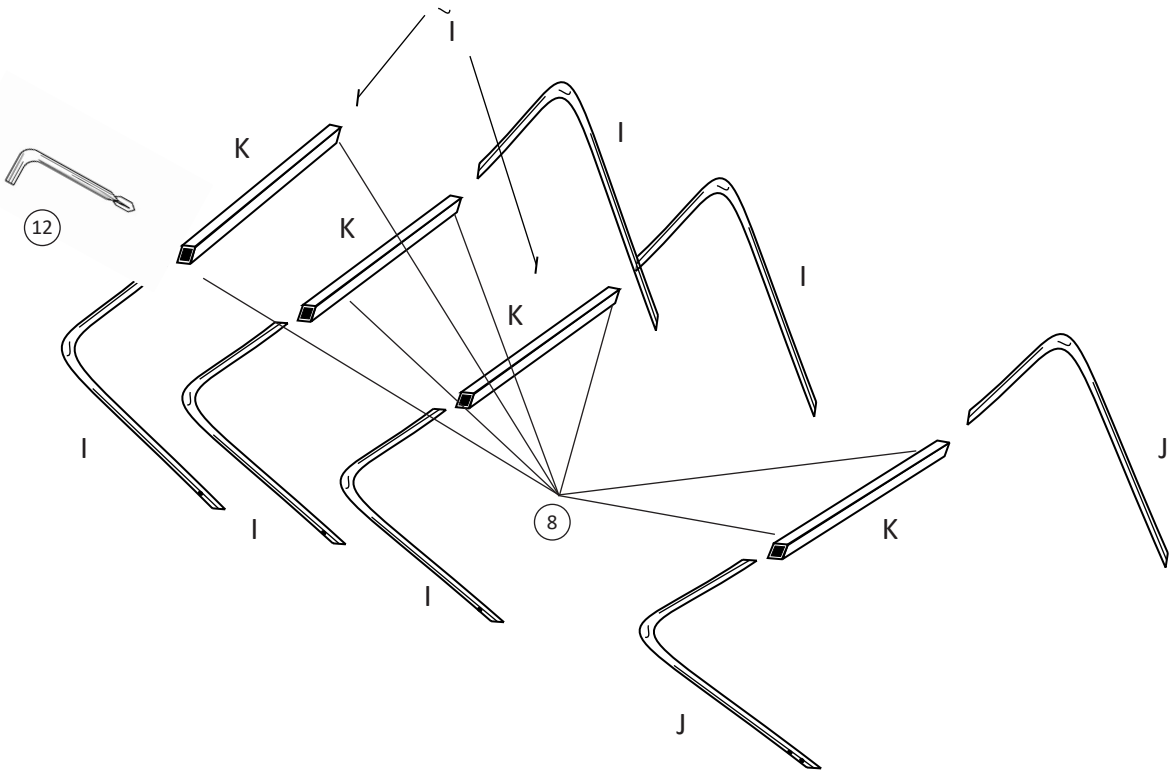
5



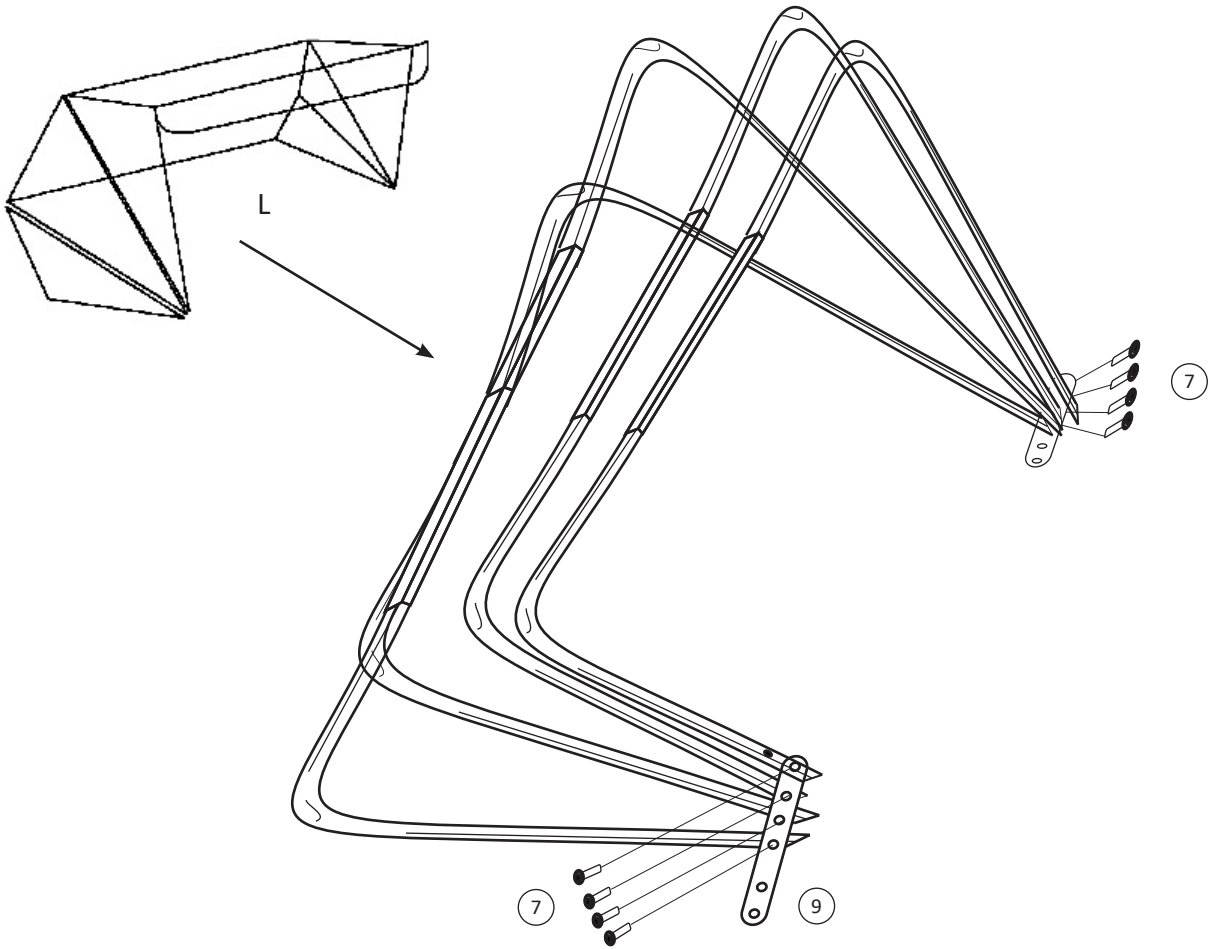
6

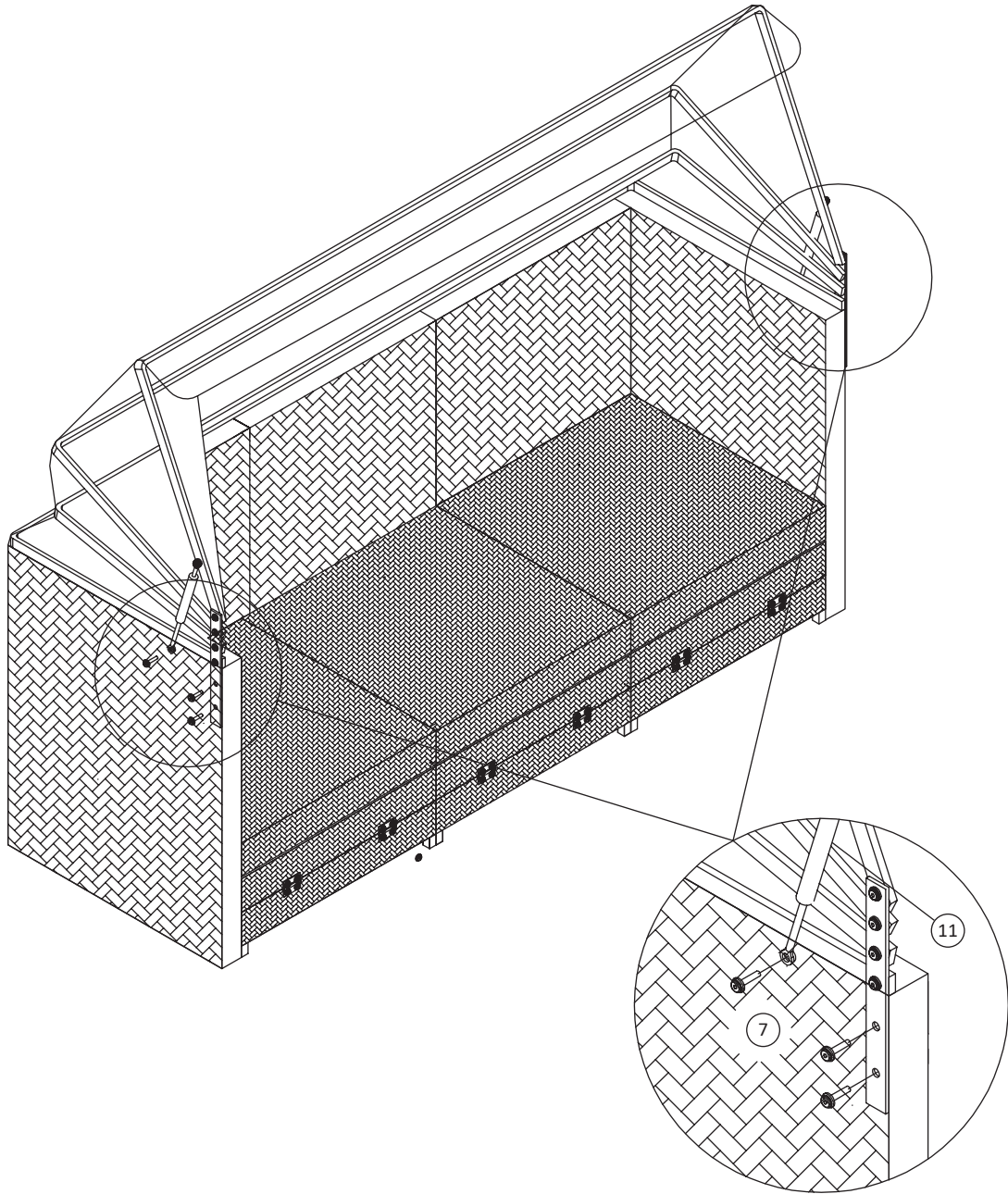


7

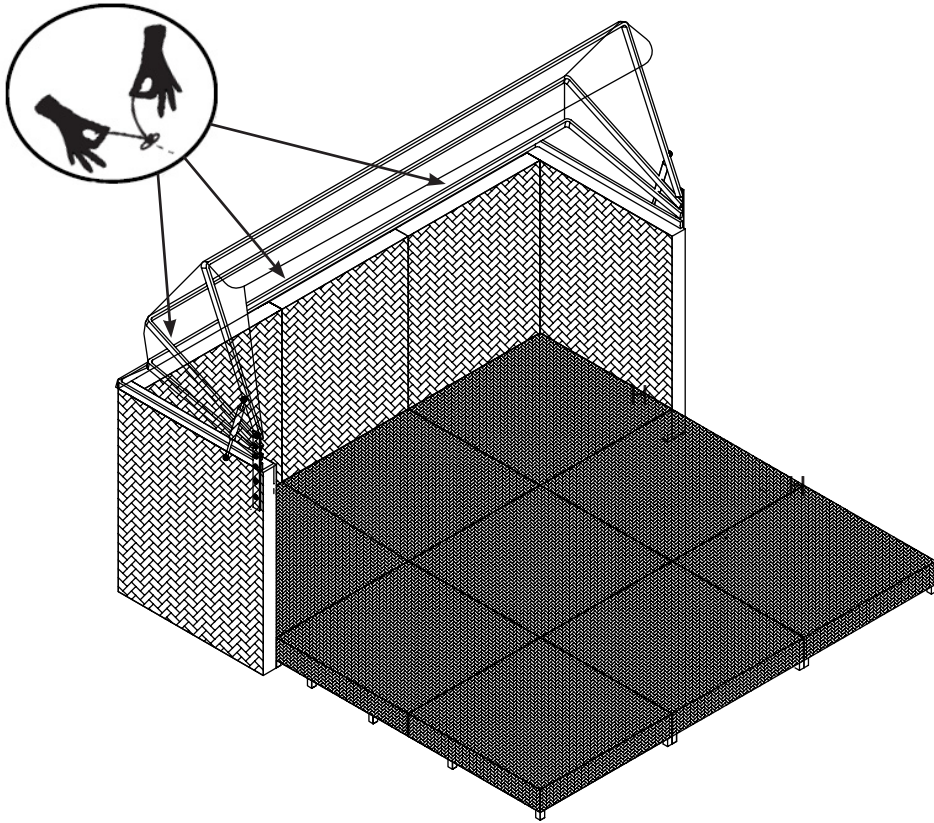


8





10



11

