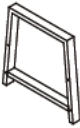
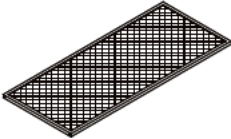

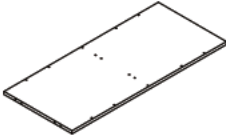


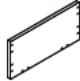
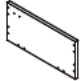

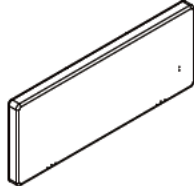












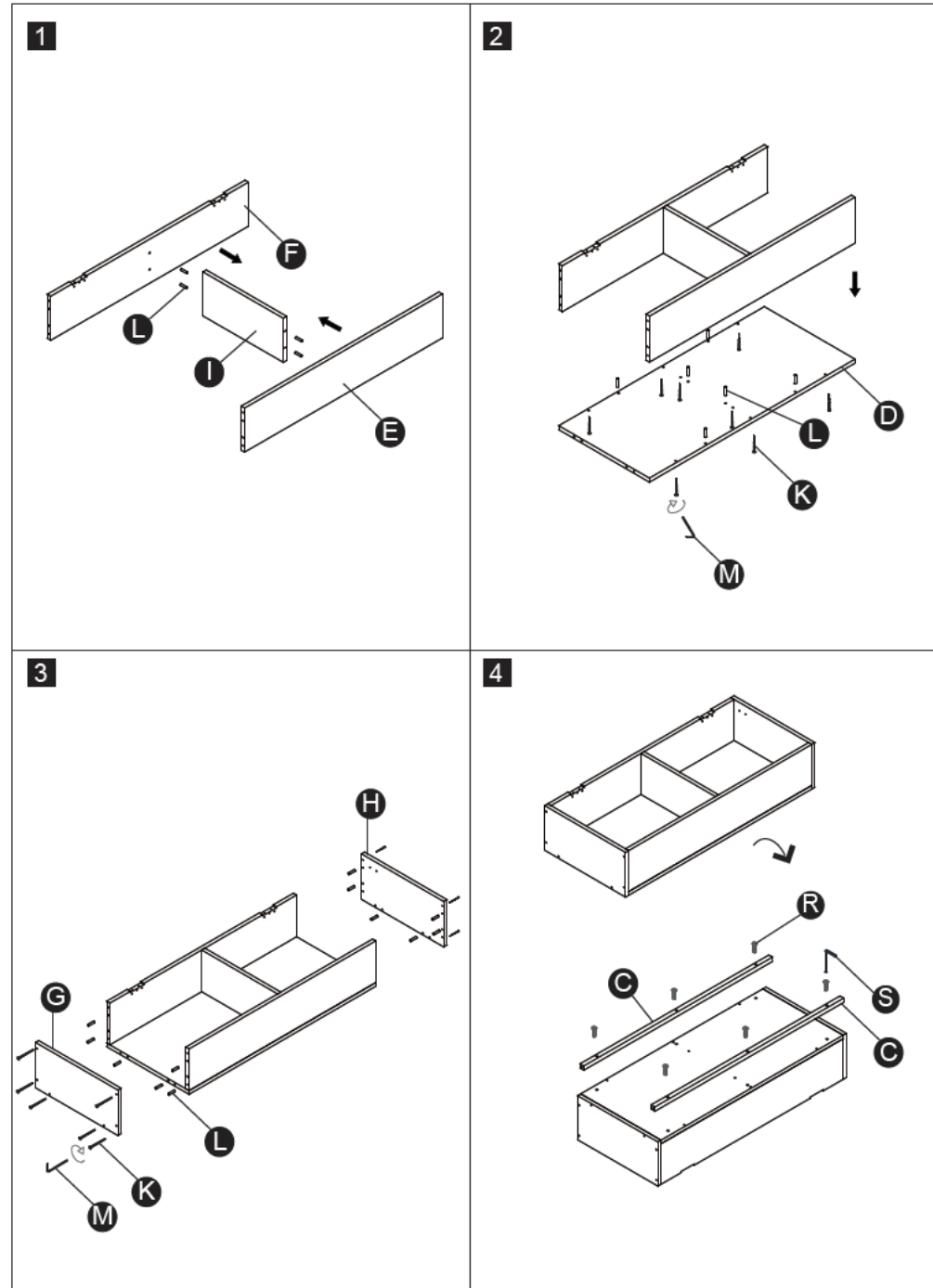
USER'S MANUAL

Storage Bench

PRODUCT ASSEMBLY

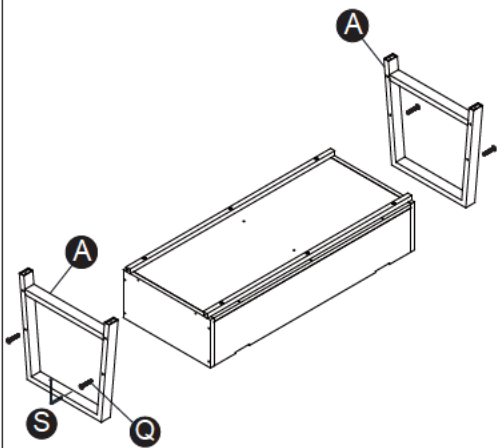
| | | | |
|---|--|--|--|
| A x2  | B x1  | C x2  | D x1  |
| E x1  | F x1  | G x1  | H x1  |
| I x1  | J x1  | K x22  | L x20  |
| M x1  | N x20  3.5*16 | O x2  | P x1  |
| Q x8  M6*55 | R x6  M6*28 | S x1  | T x4  |

PRODUCT ASSEMBLY

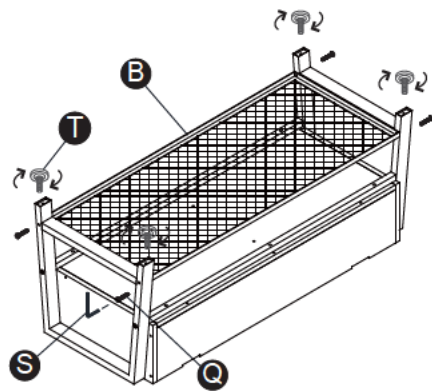


PRODUCT ASSEMBLY

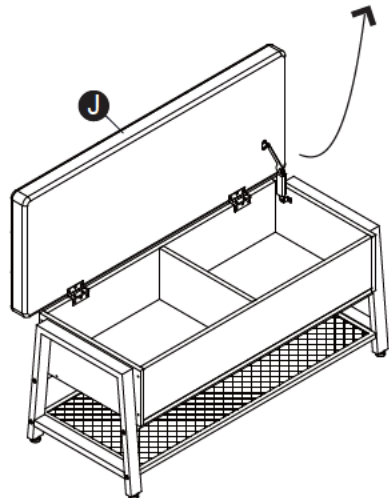
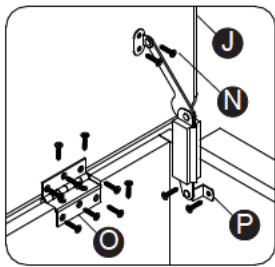
1



2



3



4

