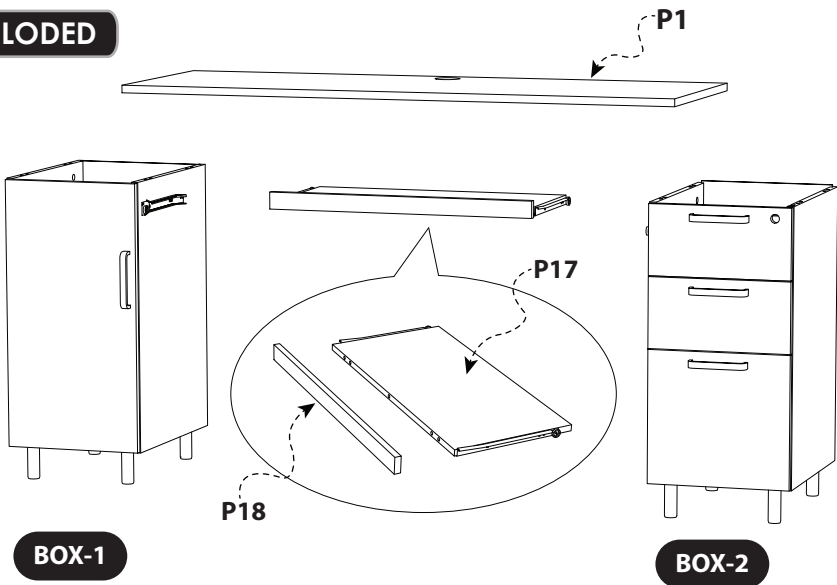
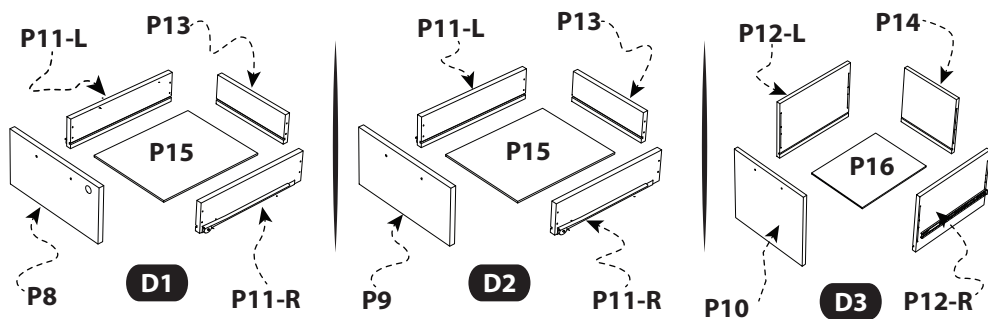
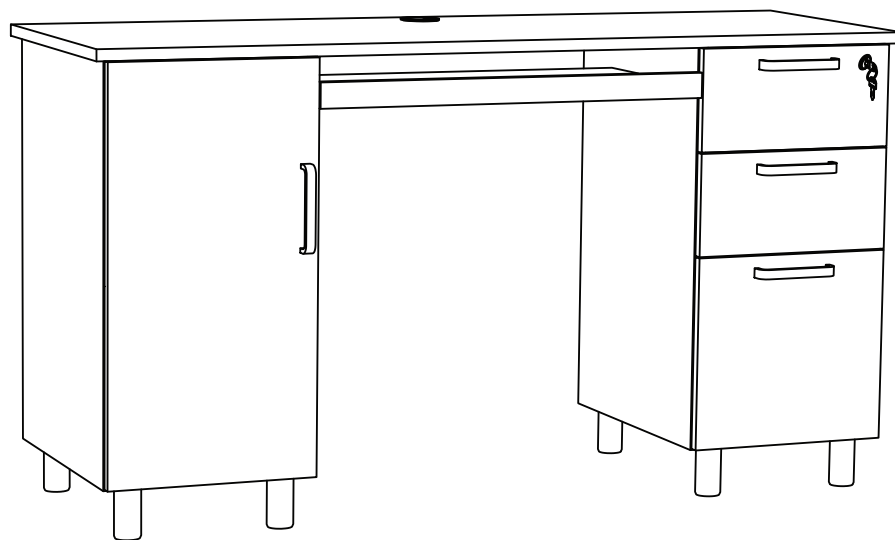
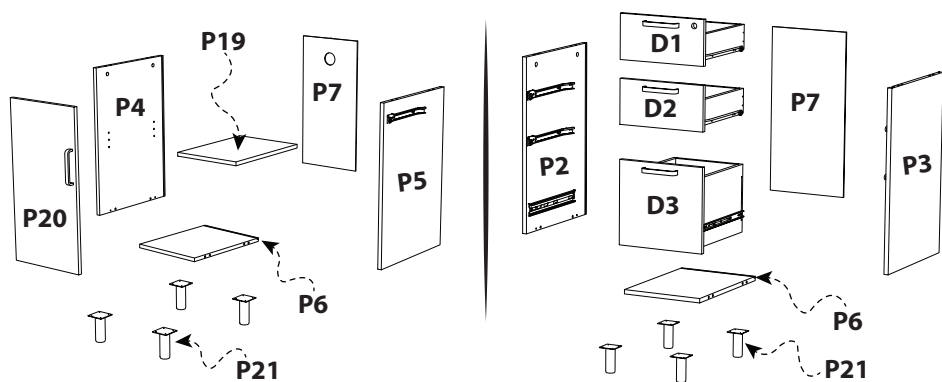


EXPLODED





VENICE DESK

OFFICE DESK



1789 E46th Street
Los Angeles, CA 90058

 Craftsandcomfort
 Craftsandcomfort


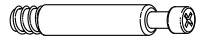


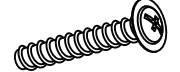


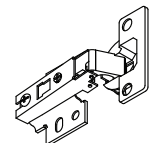
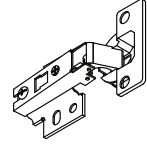
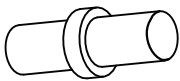
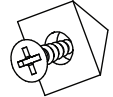
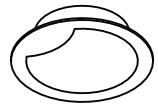
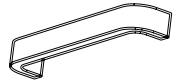

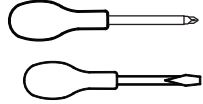
 Craftsandcomfort
 info@craftsandcomfort.com

THANK YOU FOR BEING A PART OF IT
CRAFTSANDCOMFORT.COM

IMPORTANT NOTES

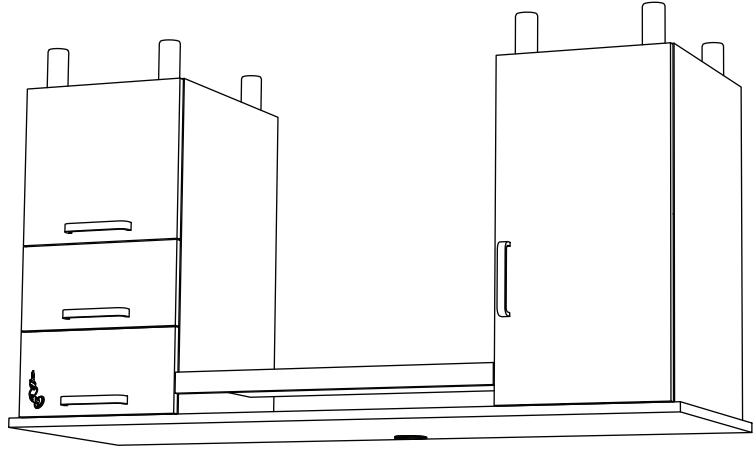
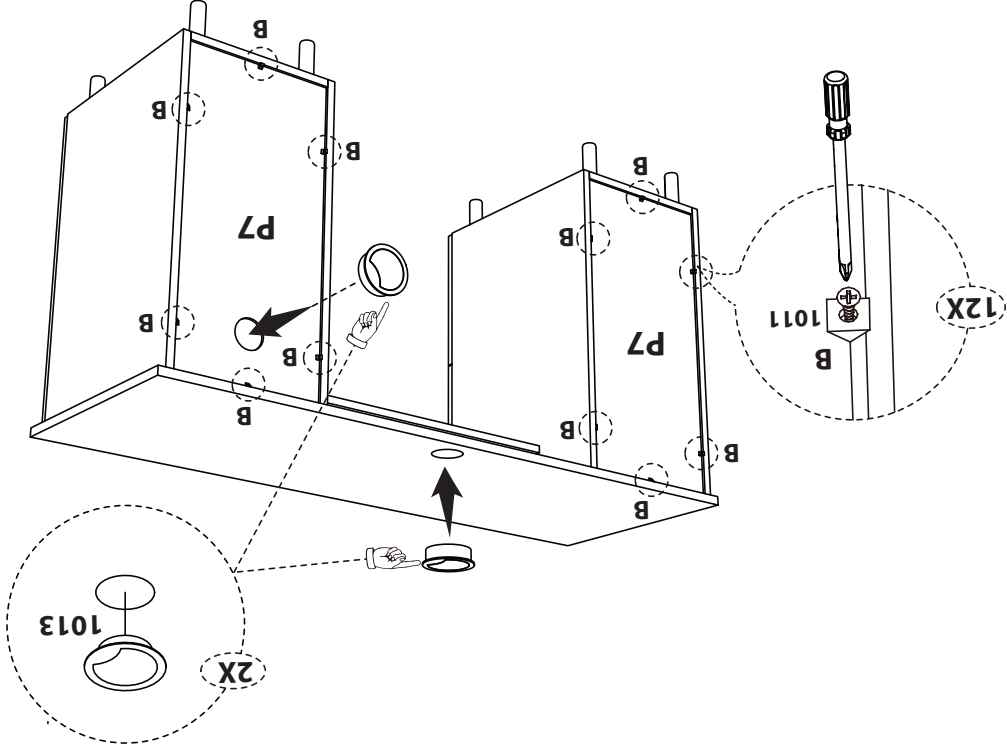
1. Place all wooden parts on a clean and smooth surface such as a rug or carpet to avoid the parts from being scratched.
2. Check to be sure that you have all parts and hardware.
3. Remove all wrapping materials, including stopples & packing straps before you start assemble.
4. Keep all hardware parts out of reach of children.

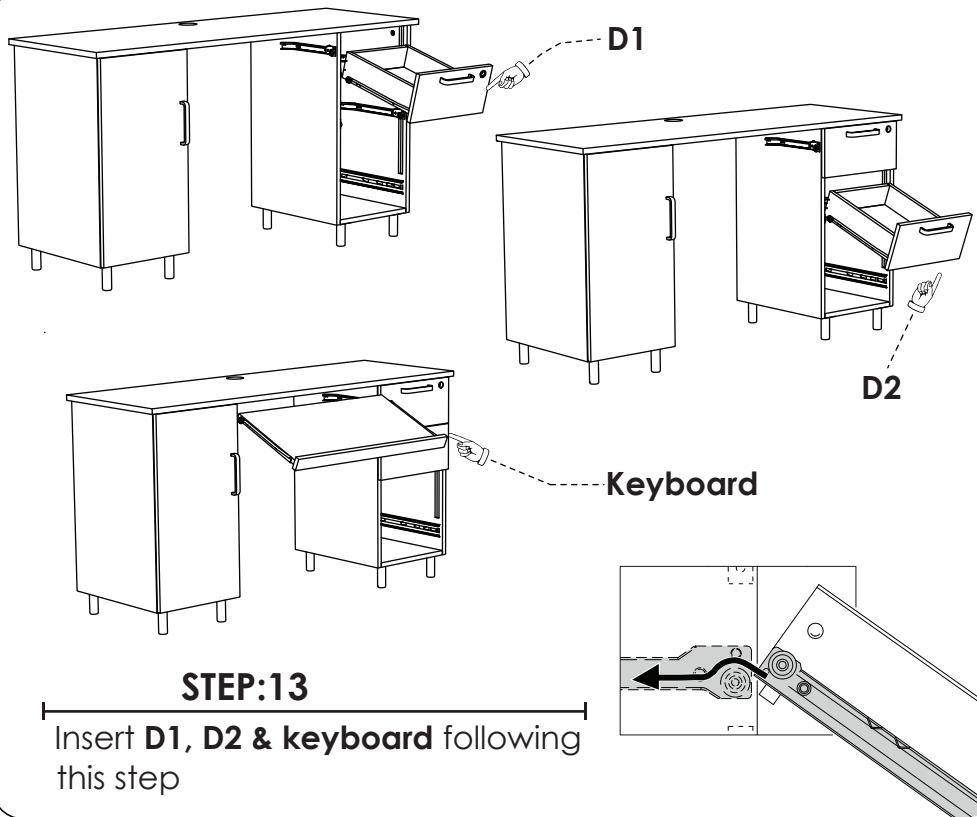
HARDWARE & TOOL DETAILS

DOWEL-1001 Qty [18 + 1] Pcs		CAM PIN-1002 Qty [19 + 1] Pcs		CAM LOCK-1003 Qty [19 + 1] Pcs		CAM COVER-1004 Qty [19 + 1] Pcs	
BIG FLAT SCREW-1005 Qty [08] Pcs		WOOD SCREW-1006 Size [3.5 x 14] mm Qty [46 + 1] Pcs		WOOD SCREW-1007 Size [4 x 35] mm Qty [32 + 1] Pcs		INSERT HINGE-1008 Qty [01] Pcs	
INSERT HINGE-1009 [With Buffer] Qty [01] Pcs		WOOD SCREW-1010 Qty [04] Pcs		BUTTON-1011 Qty [12] Pcs		GROMMET-1012 Qty [02] Pcs	
HANDLE-1013 Qty [04] Pcs		KEY-1014 Qty [1 Unit]		FLAT & STAR SCREW DRIVER [NOT PROVIDED]			

1. Fix **P7** using **1011 (B)** following this position
2. Insert **1013** in the following position

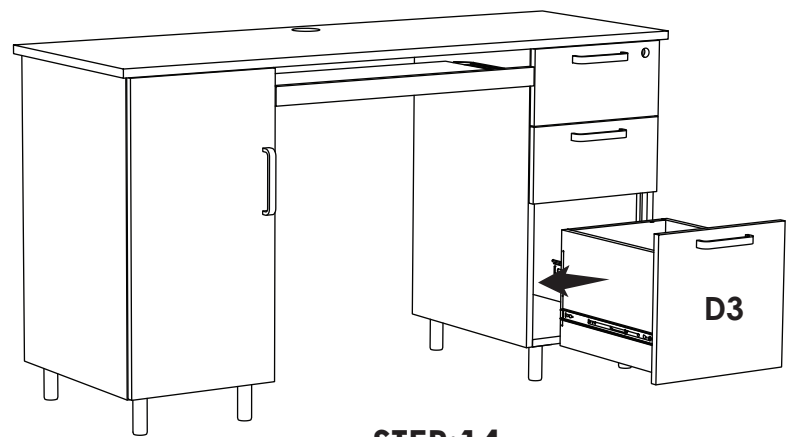
STEP:15





STEP:13

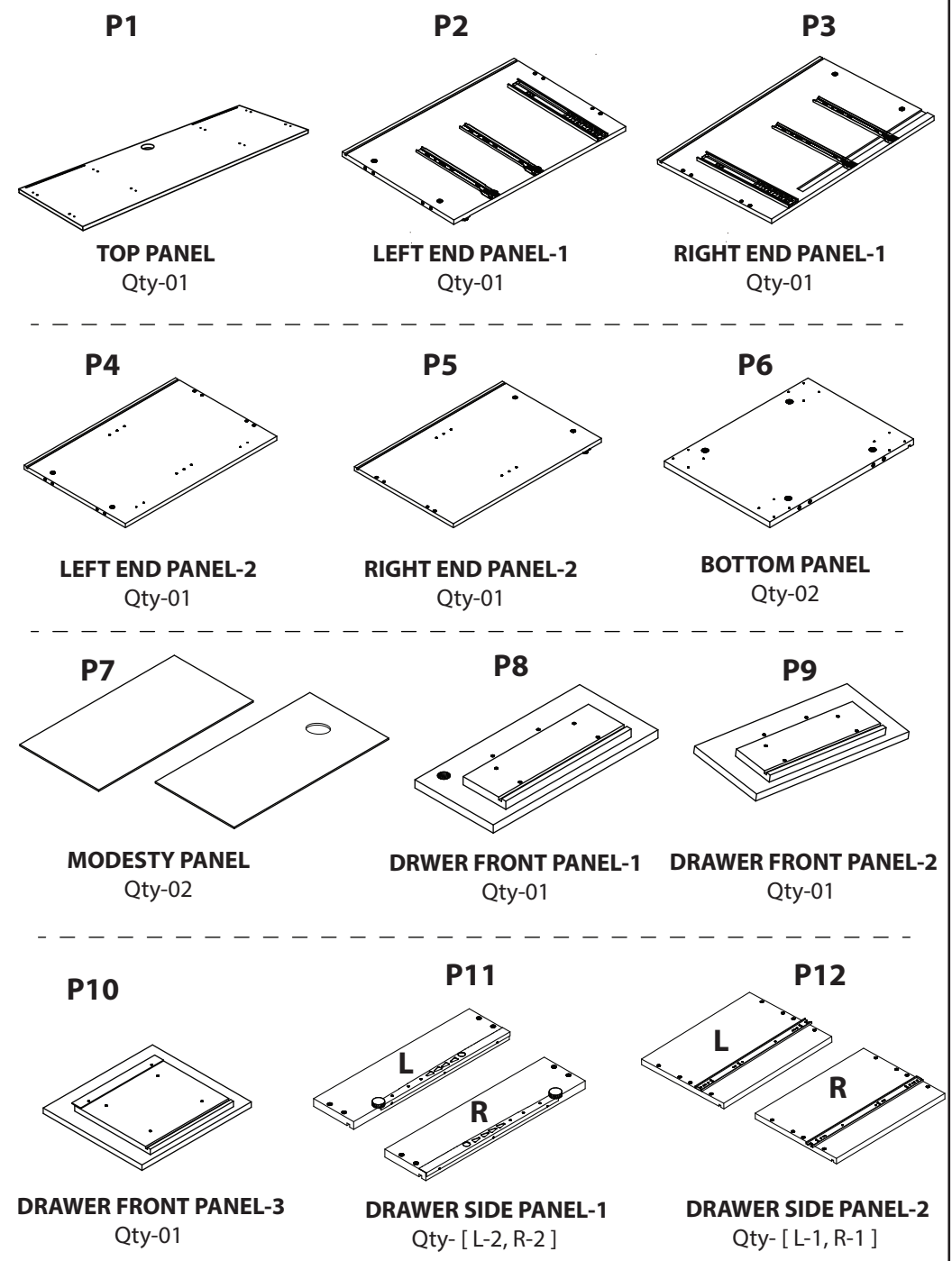
Insert **D1**, **D2** & keyboard following this step



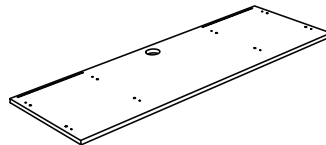
STEP:14

Insert **D3** in the following position

COMPONENTS DETAILS

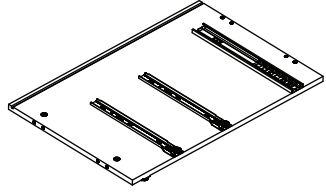


P1



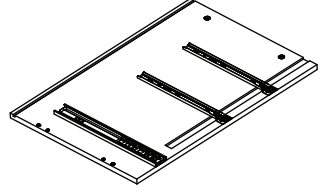
TOP PANEL
Qty-01

P2



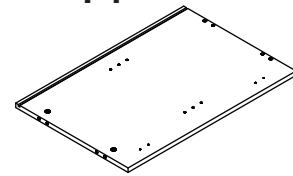
LEFT END PANEL-1
Qty-01

P3



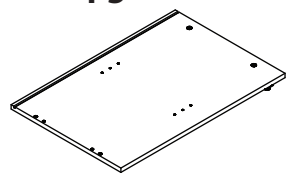
RIGHT END PANEL-1
Qty-01

P4



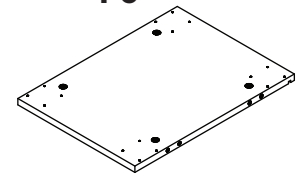
LEFT END PANEL-2
Qty-01

P5



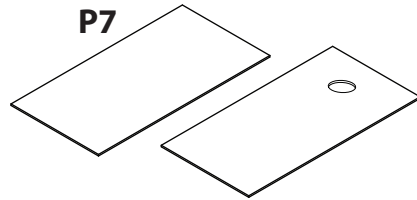
RIGHT END PANEL-2
Qty-01

P6



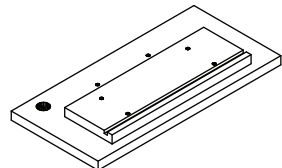
BOTTOM PANEL
Qty-02

P7



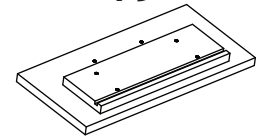
MODESTY PANEL
Qty-02

P8



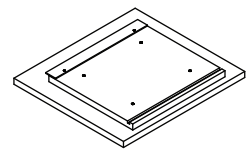
DRAWER FRONT PANEL-1
Qty-01

P9



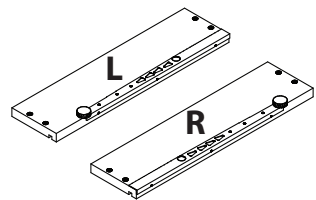
DRAWER FRONT PANEL-2
Qty-01

P10



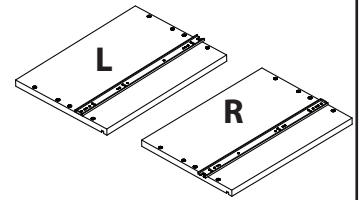
DRAWER FRONT PANEL-3
Qty-01

P11



DRAWER SIDE PANEL-1
Qty- [L-2, R-2]

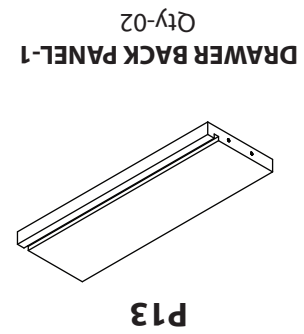
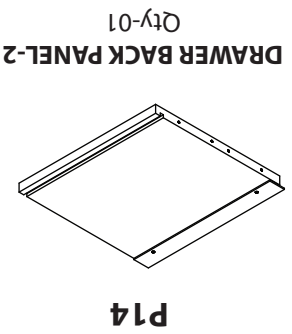
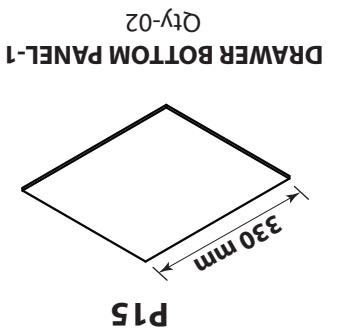
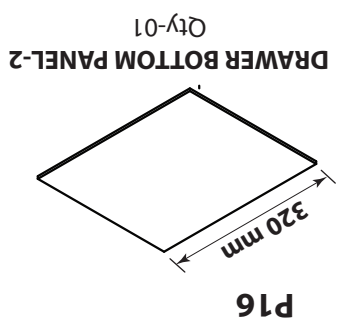
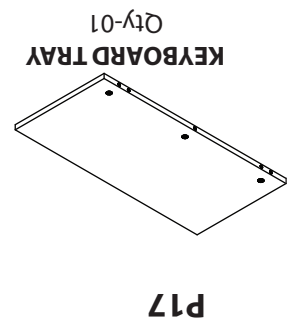
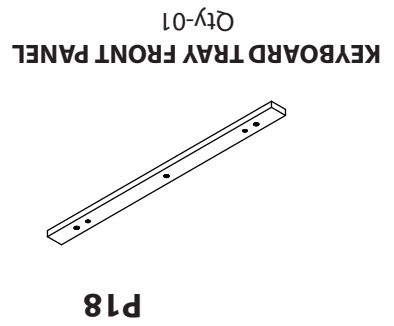
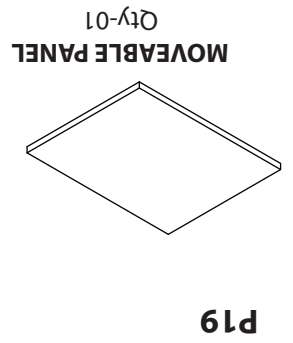
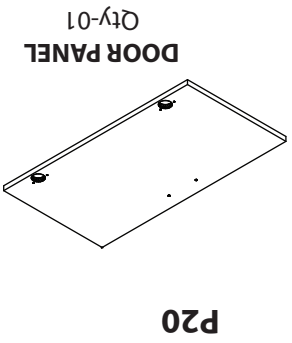
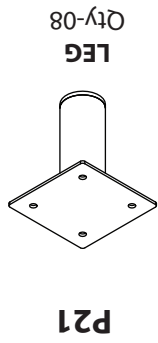
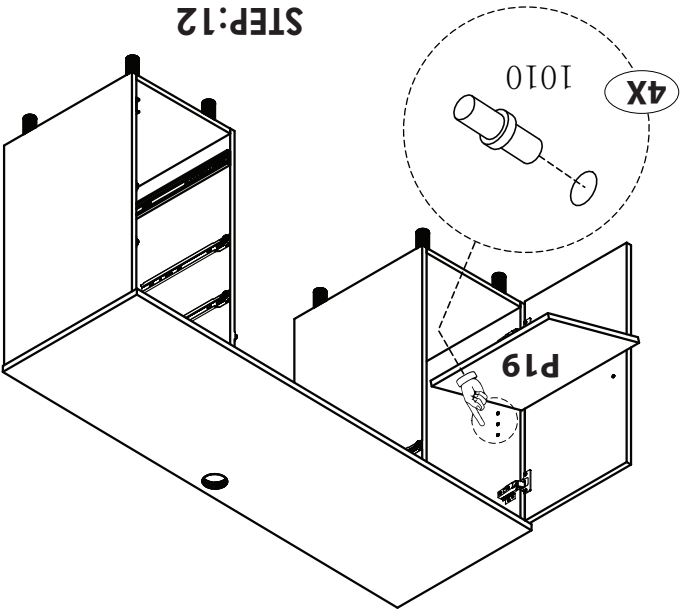
P12



DRAWER SIDE PANEL-2
Qty- [L-1, R-1]

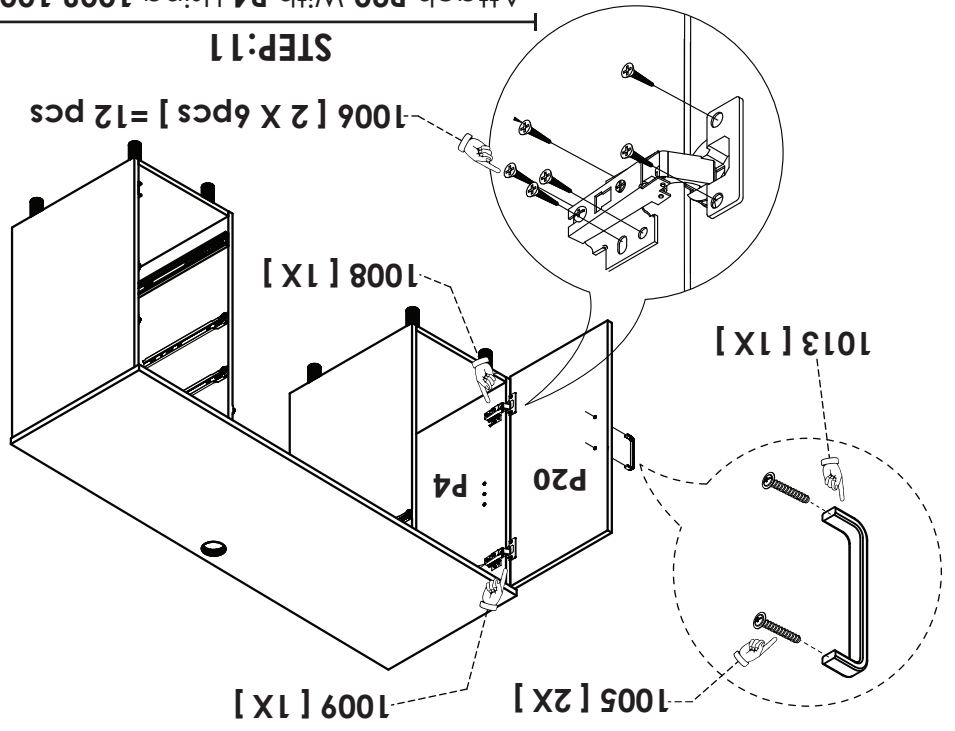


Place P19 using 1010

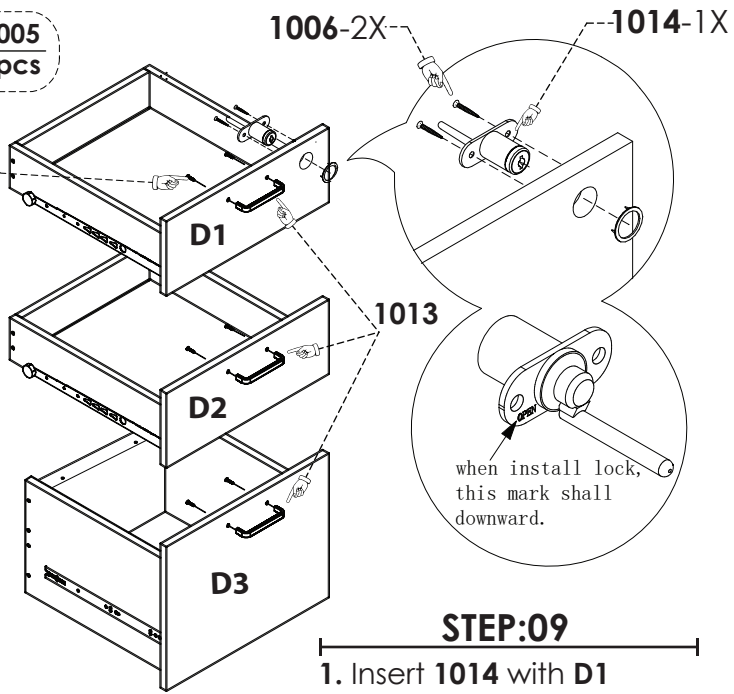


Attach P20 With P4 Using 1008,1009

STEP:11



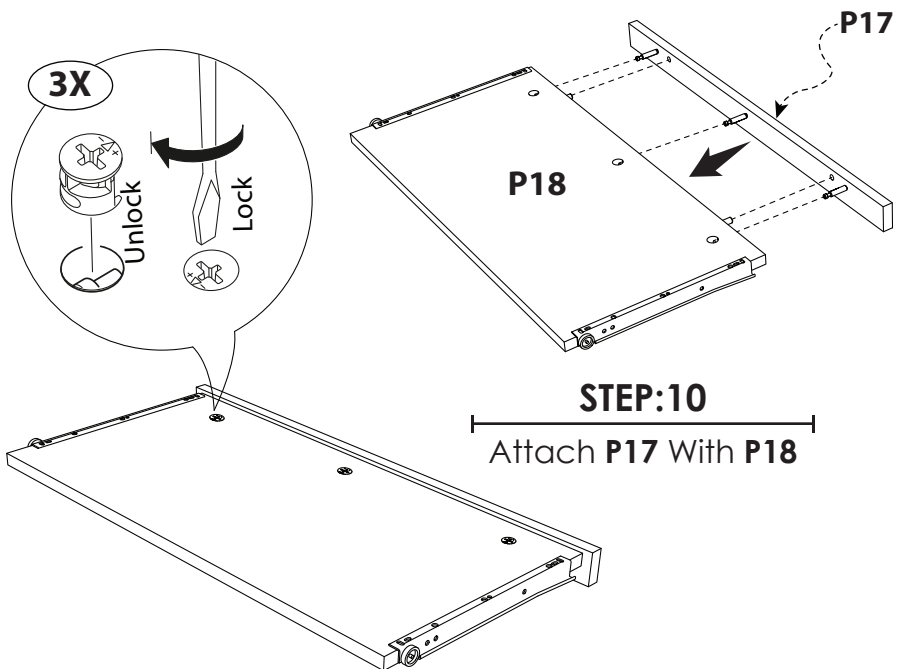
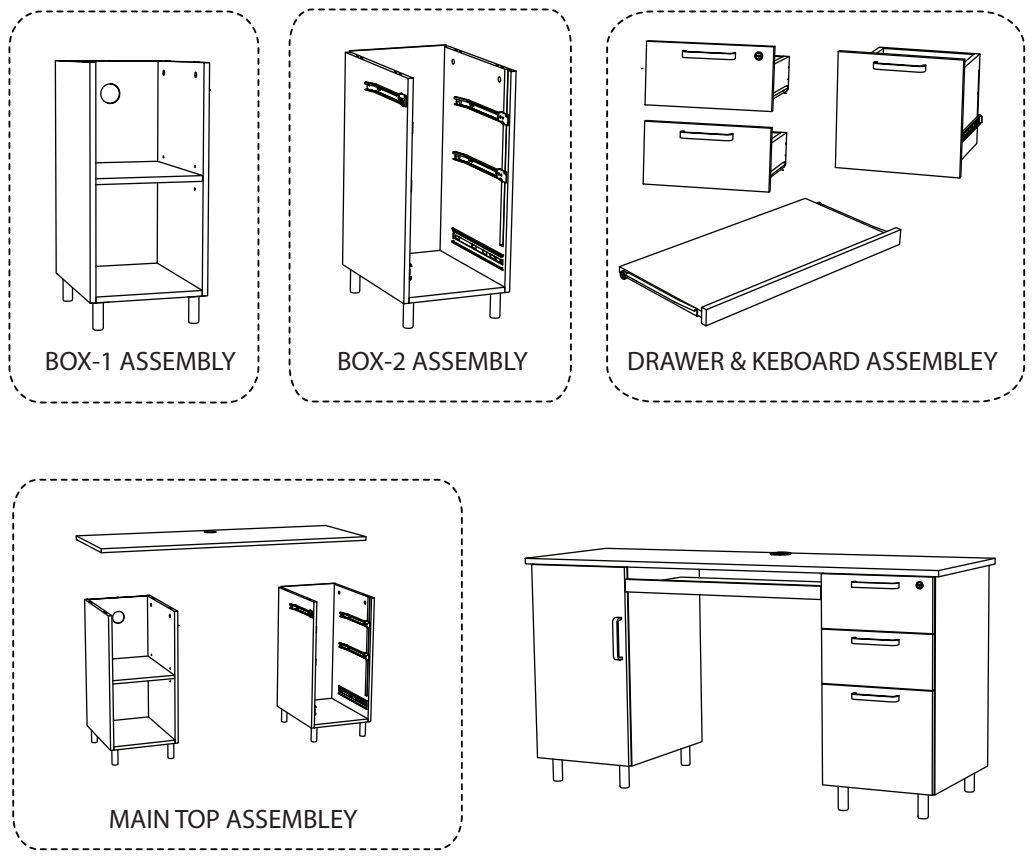
D1,D2,D3 1005 1005
3 Drawer X 2pcs =6pcs



STEP:09

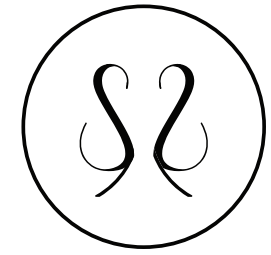
1. Insert 1014 with D1
2. Insert 1013 with D1,D2,D3

QUICK OVERVIEW



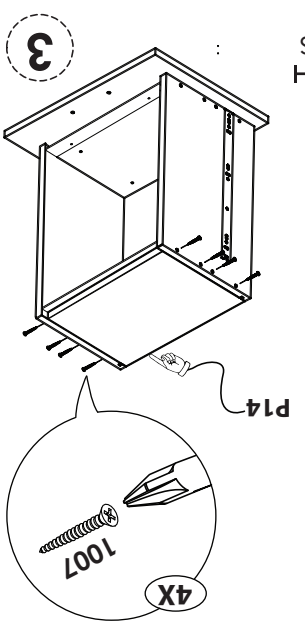
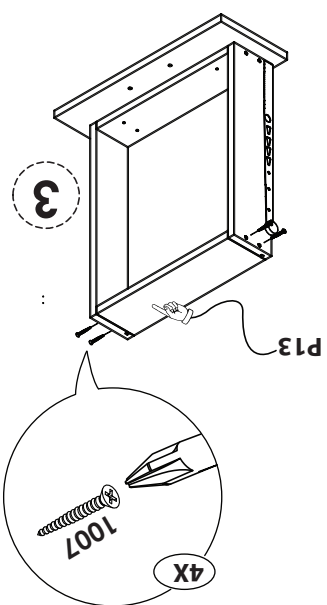
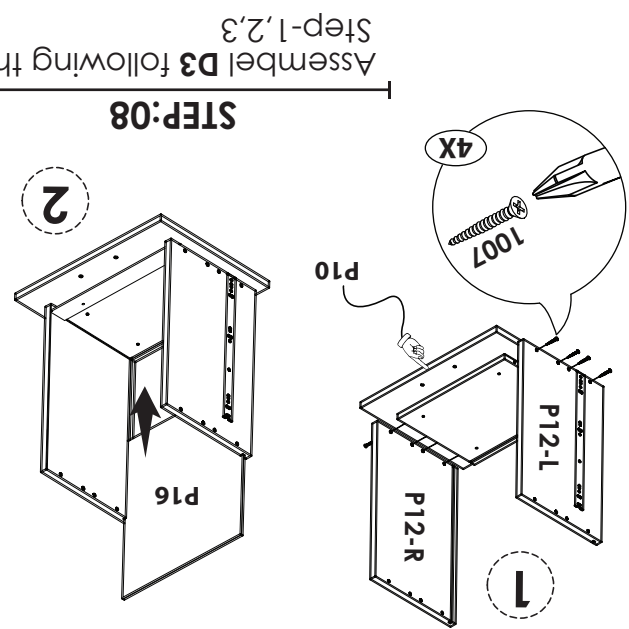
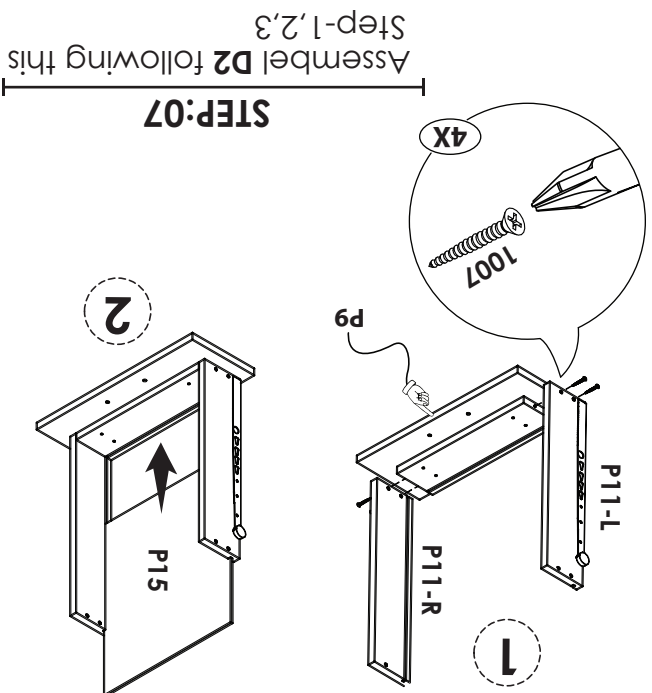
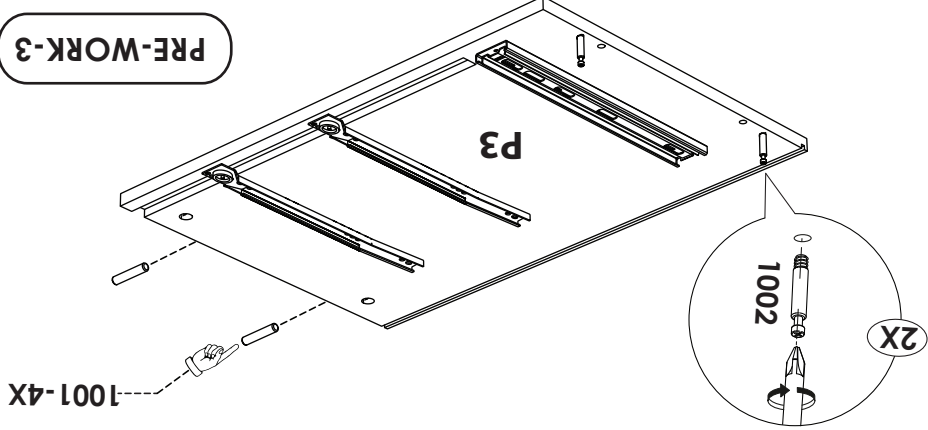
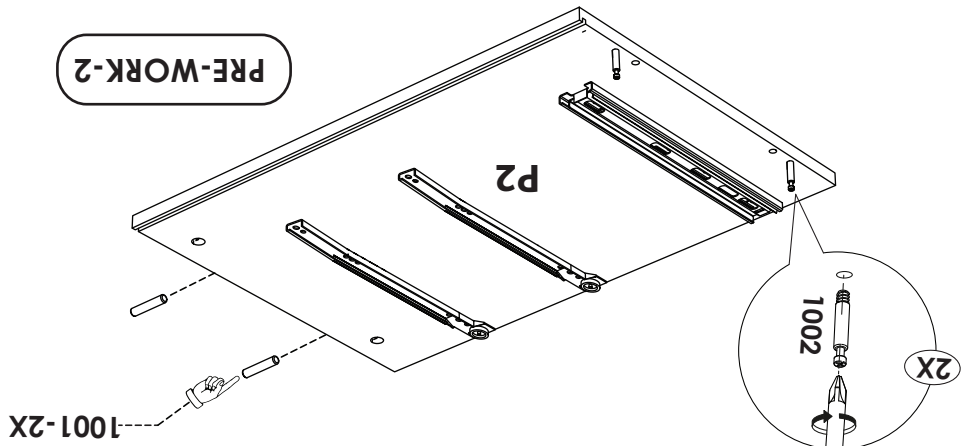
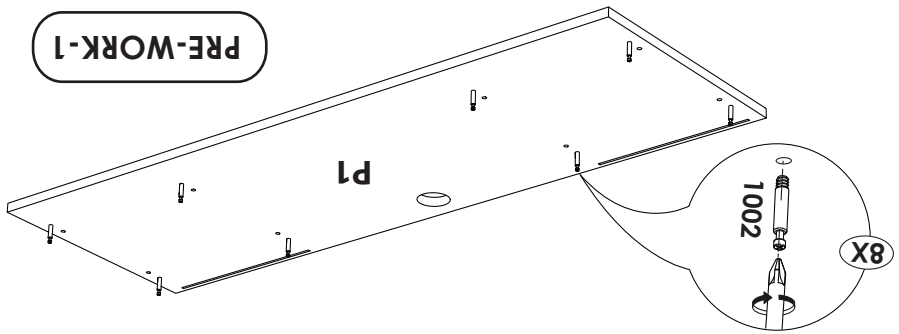
STEP:10

Attach P17 With P18



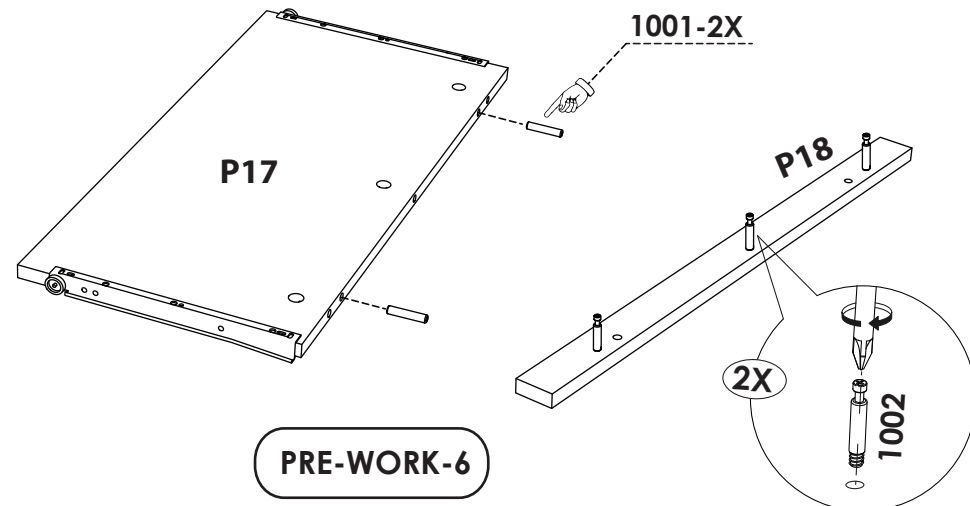
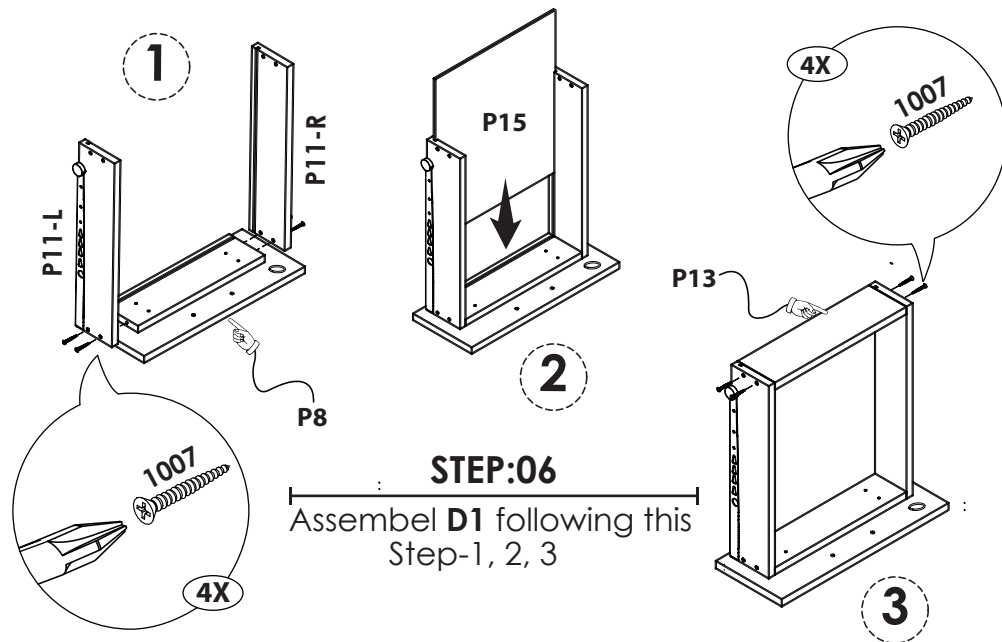
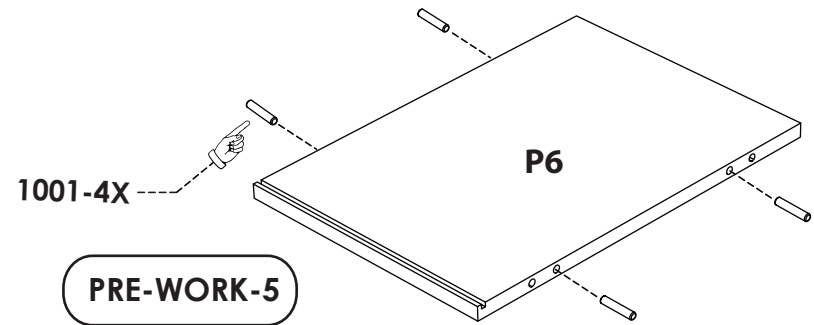
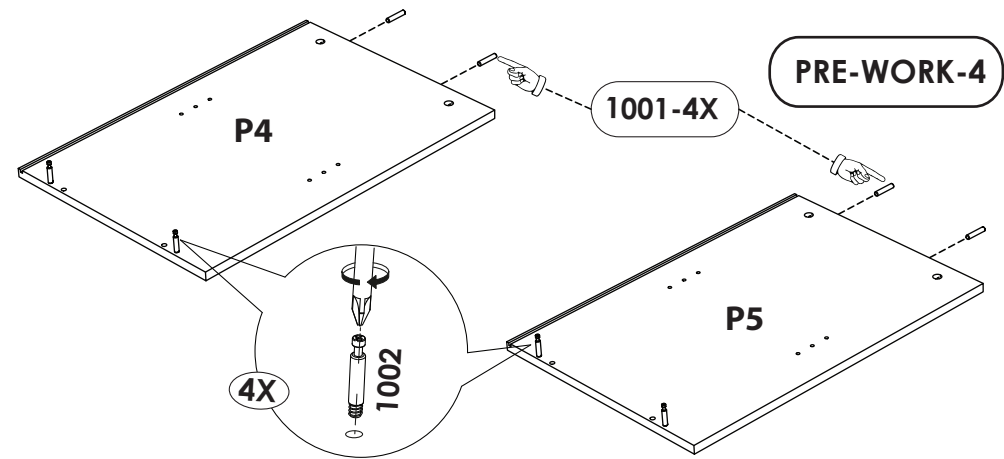
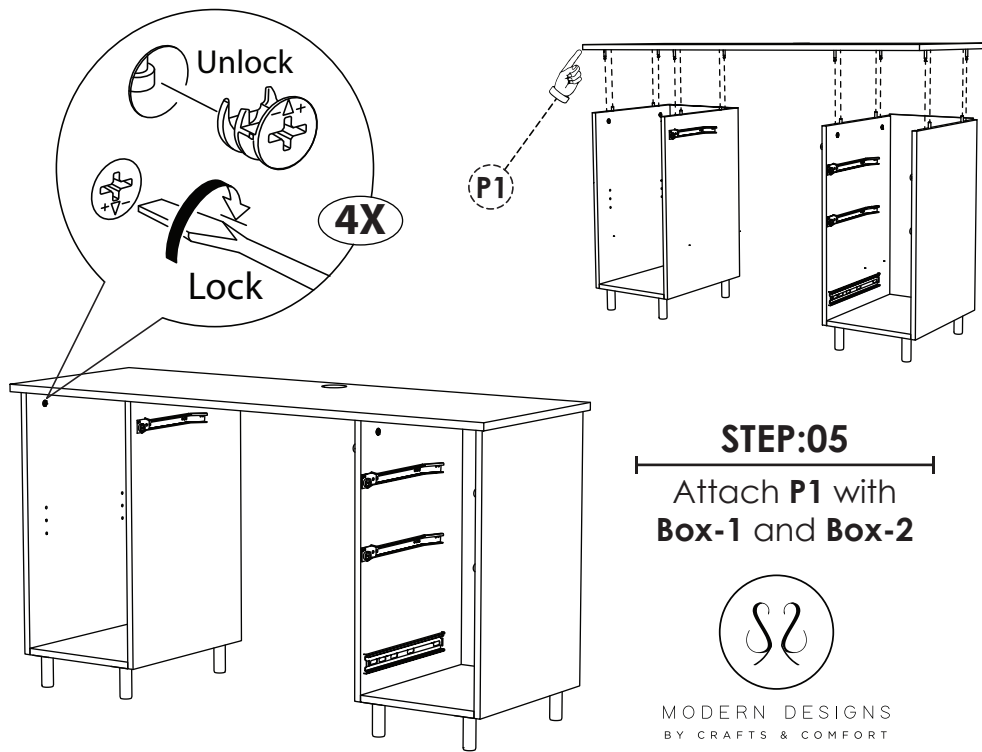
MODERN DESIGNS
BY CRAFTS & COMFORT

LET'S FIX SOME PARTS BEFORE START ASSEMBLY



Assembl D2 following this
Step-1,2,3

Assembl D3 following this
Step-1,2,3



[REMEMBER]
 Use Cam Cover-1004
 After
 Using Cam Lock-1003

NOTE

BOX-2

STEP:02
 Attach P6 with P2,P3

BOX-1

STEP:01
 Attach P6 with P4,P5

STEP:04
 Attach P21 with BOX-1, BOX-2
 Using 1007

8 Leg X 4 Pcs = 32 Pcs
 P11 1007

BOX-1 **BOX-2**

P21 [4X] P21 [4X]

STEP:03
 Insert P7 with BOX-1 & BOX-2

BOX-1 **BOX-2**

P7 P7