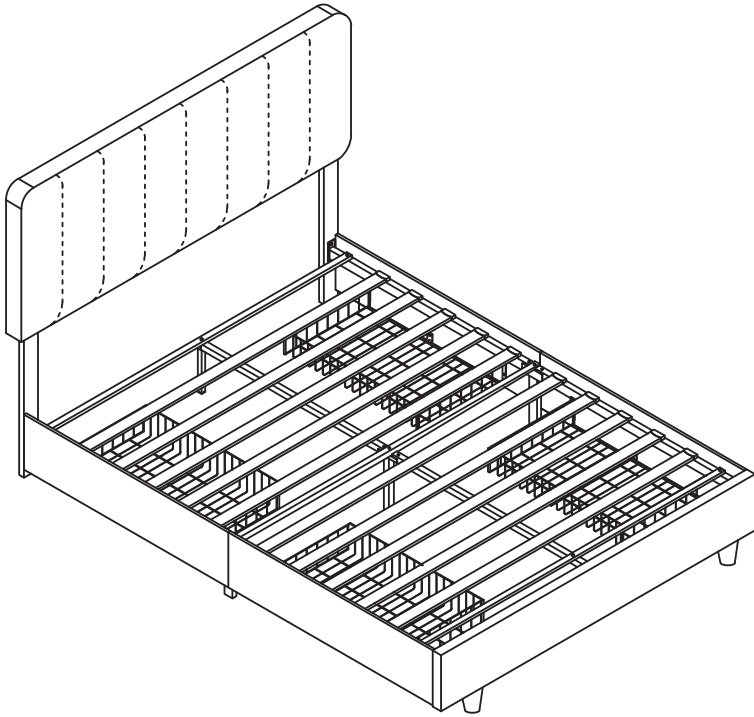
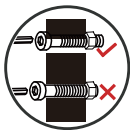


Installation & Assembly



Bed Frame

CAUTION!



Assembly Guide

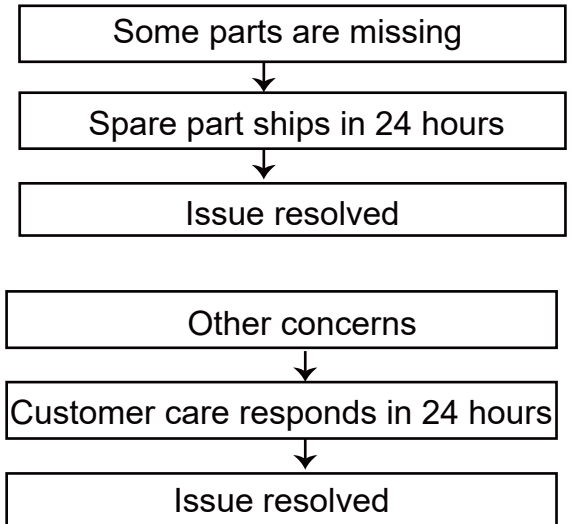
Tip!

DO check for all the components and screws listed in this guide before putting things together. If any part is missing, for the missing part.

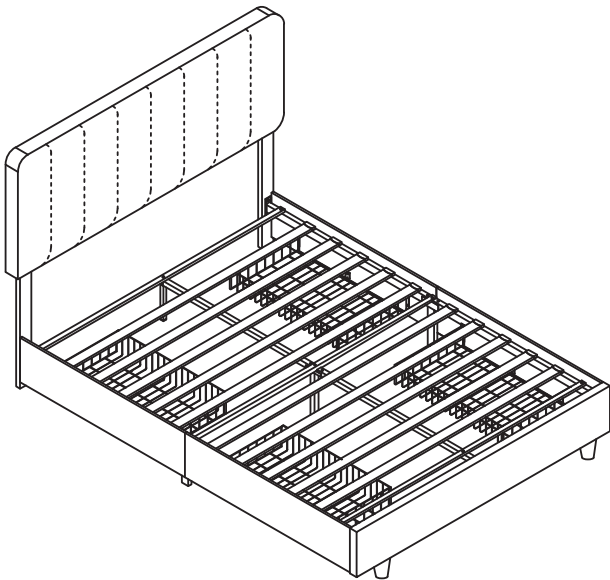
Return Policy

Your satisfaction is our top priority. If our product fails to satisfy you, please let us know how we can make things right for you. Our trained customer care team can handle most concerns and assist you with any questions you may have. Simply shoot them a message at with your ordernumber and question. To be eligible for a full-refund return, the item must be in pristine condition, in the original packaging, with all of the shipped components intact and not yet assembled, and with the item's unique proof of purchase.

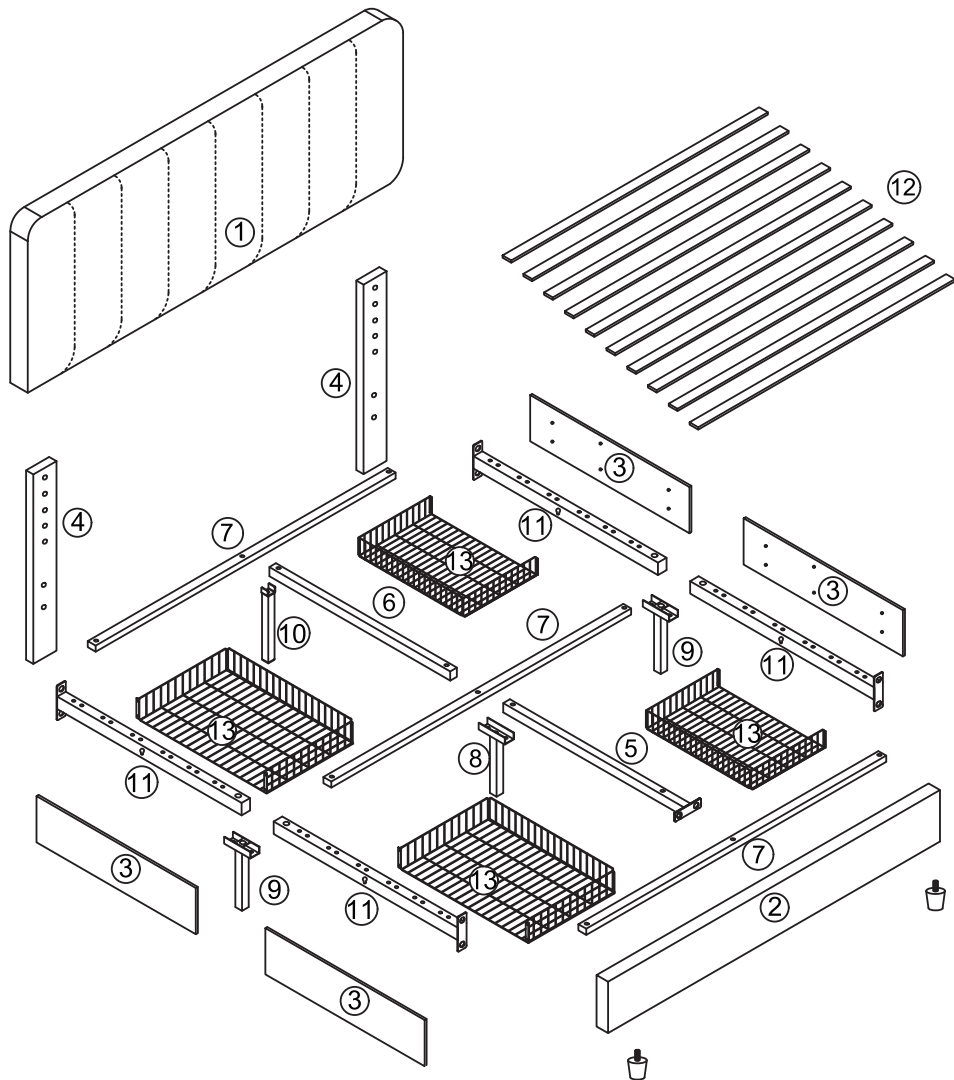
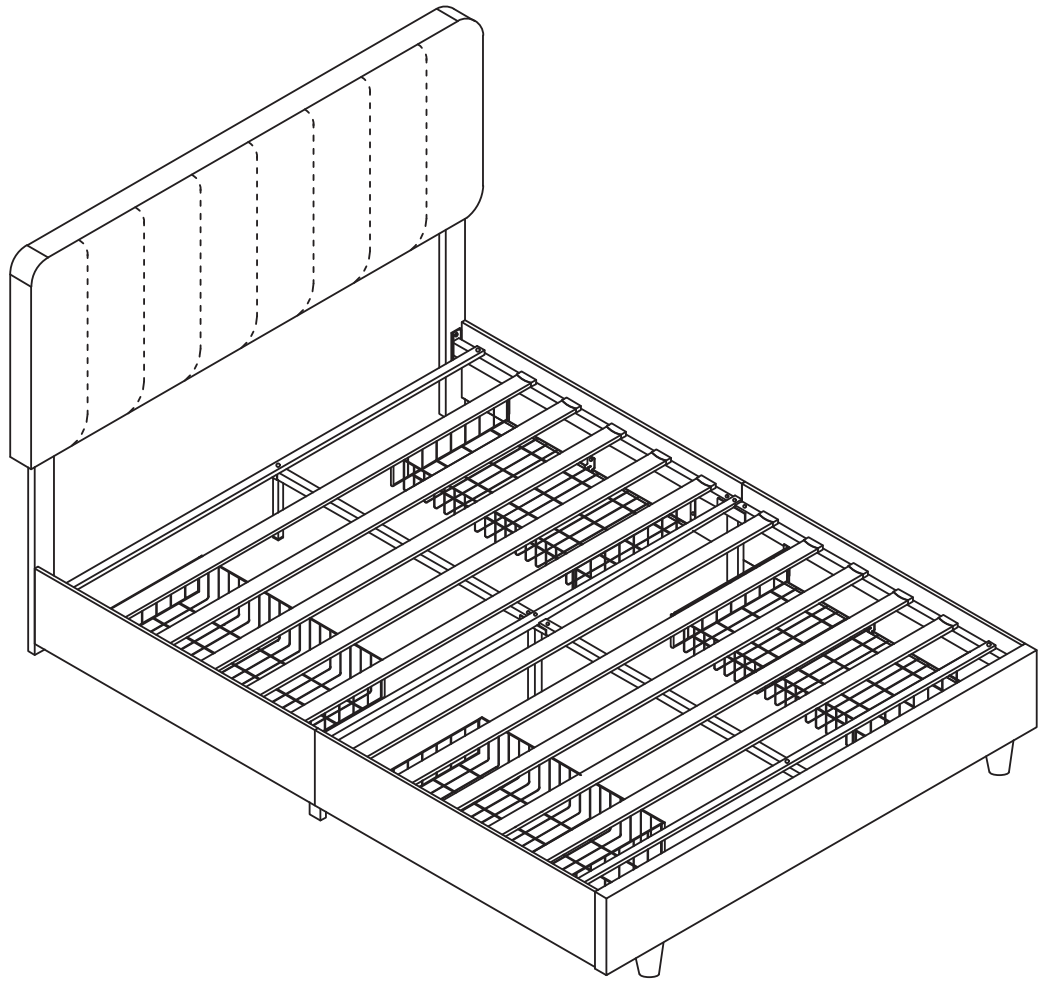
Trouble shooting:




We run our own manufacturer, so rest assured about the quality consistency.

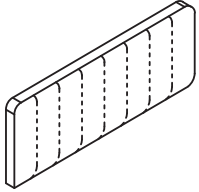
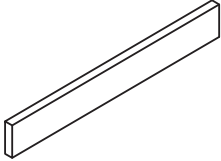
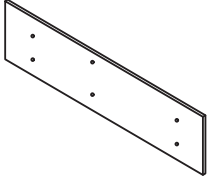
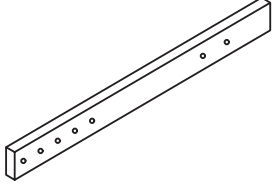
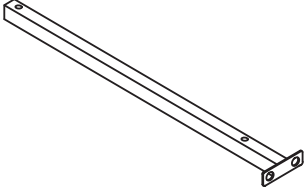
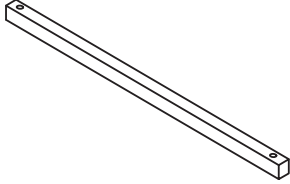
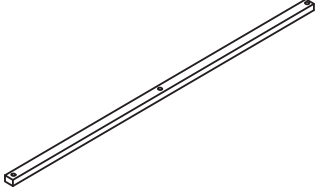

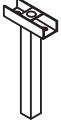

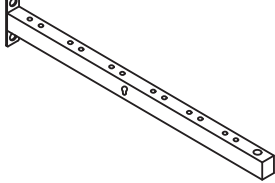
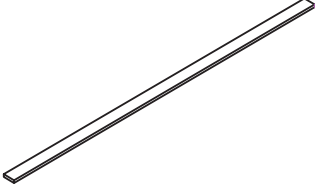
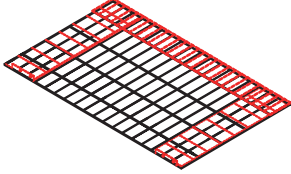


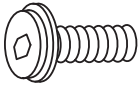
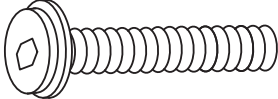

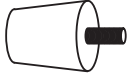

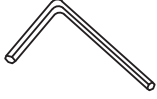





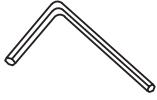
Item Description: Bed Frame



 Team Assembly Recommended

Components / Bauteile / Composants

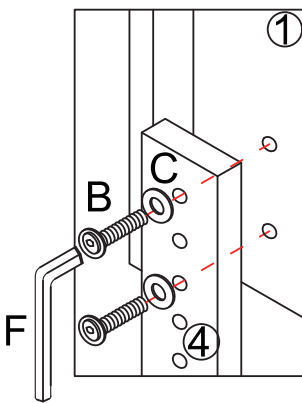
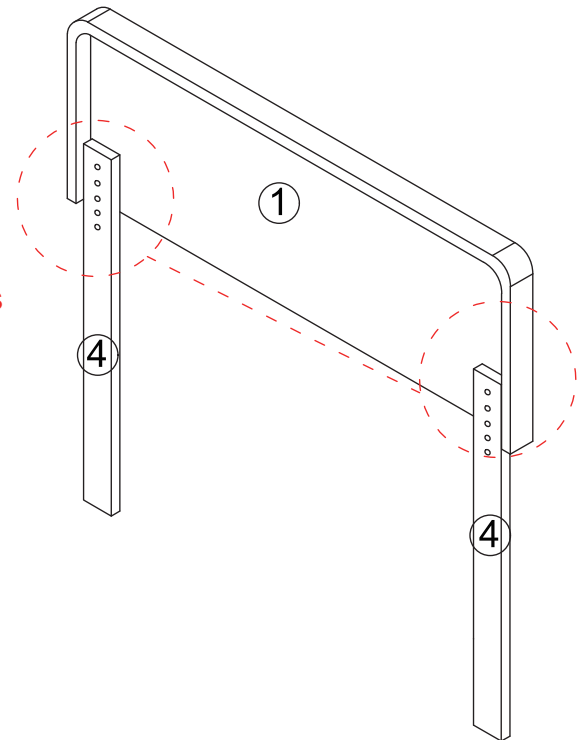
<p>①</p>  <p>Double:148*55*7CM</p>	<p>1pcs</p>	<p>②</p>  <p>Double:141.5*24.5*5CM</p>	<p>1pcs</p>
<p>③</p>  <p>Double:96*24.5*2CM</p>	<p>4pcs</p>	<p>④</p>  <p>Double:73*7*2.5CM</p>	<p>2pcs</p>
<p>⑤</p>  <p>Double:94.6*8*2.5CM</p>	<p>1pcs</p>	<p>⑥</p>  <p>Double:86.5*2.5*2.5CM</p>	<p>1pcs</p>
<p>⑦</p>  <p>Double:137.2*2.4*1.2CM</p>	<p>3pcs</p>	<p>⑧</p>  <p>Double:22.3*9.4*3.1CM</p>	<p>1pcs</p>
<p>⑨</p>  <p>Double:22.3*12*3.6CM</p>	<p>2pcs</p>	<p>⑩</p>  <p>Double:22.3*3.1*2.5CM</p>	<p>1pcs</p>
<p>⑪</p>  <p>Double:94.7*9*3CM</p>	<p>4pcs</p>	<p>⑫</p>  <p>Double:136*5.2*1.2CM</p>	<p>10pcs</p>
<p>⑬</p>  <p>Double:77*50.5*12CM</p>	<p>4pcs</p>		

<p>Ⓐ</p>  <p>M8 x 25</p>	<p>15</p>	<p>Ⓑ</p>  <p>M8 x 45</p>	<p>14</p>
<p>Ⓒ</p> 	<p>4</p>	<p>Ⓓ</p> 	<p>2</p>
<p>Ⓔ</p> 	<p>20</p>	<p>Ⓕ</p> 	<p>1</p>
<p>Ⓘ</p>  <p>M6 x 15</p>	<p>20</p>	<p>Ⓙ</p>  <p>M6 x 10</p>	<p>4</p>
<p>Ⓚ</p> 	<p>4</p>	<p>Ⓛ</p> 	<p>8</p>
<p>Ⓜ</p> 	<p>20</p>	<p>Ⓝ</p> 	<p>1</p>

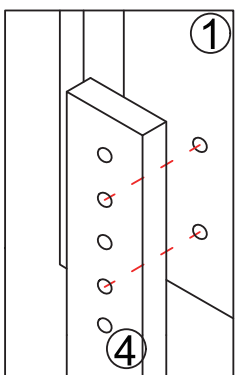
Step 1



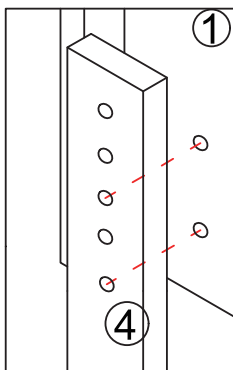
- Each pair of holes corresponds to a mattress thickness as shown below
- ★ Chaque paire de trous correspond à une épaisseur de matelas, comme indiqué ci-dessous
- ▲ Jedes Paar Löcher entspricht einer Matratzenstärke, wie unten gezeigt



- Use these holes to fit a 12 inch thick mattress (43.7inch tall overall)
- ★ Utilisez ces trous pour s'adapter à un matelas de 12 Centimètres d'épaisseur (43.7 Centimètres de hauteur totale)
- ▲ Jedes Paar Löcher entspricht einer Matratzendicke. Um eine 12-Zentimeter-Matratze anzupassen (Insgesamt 43.7 Zentimeter)



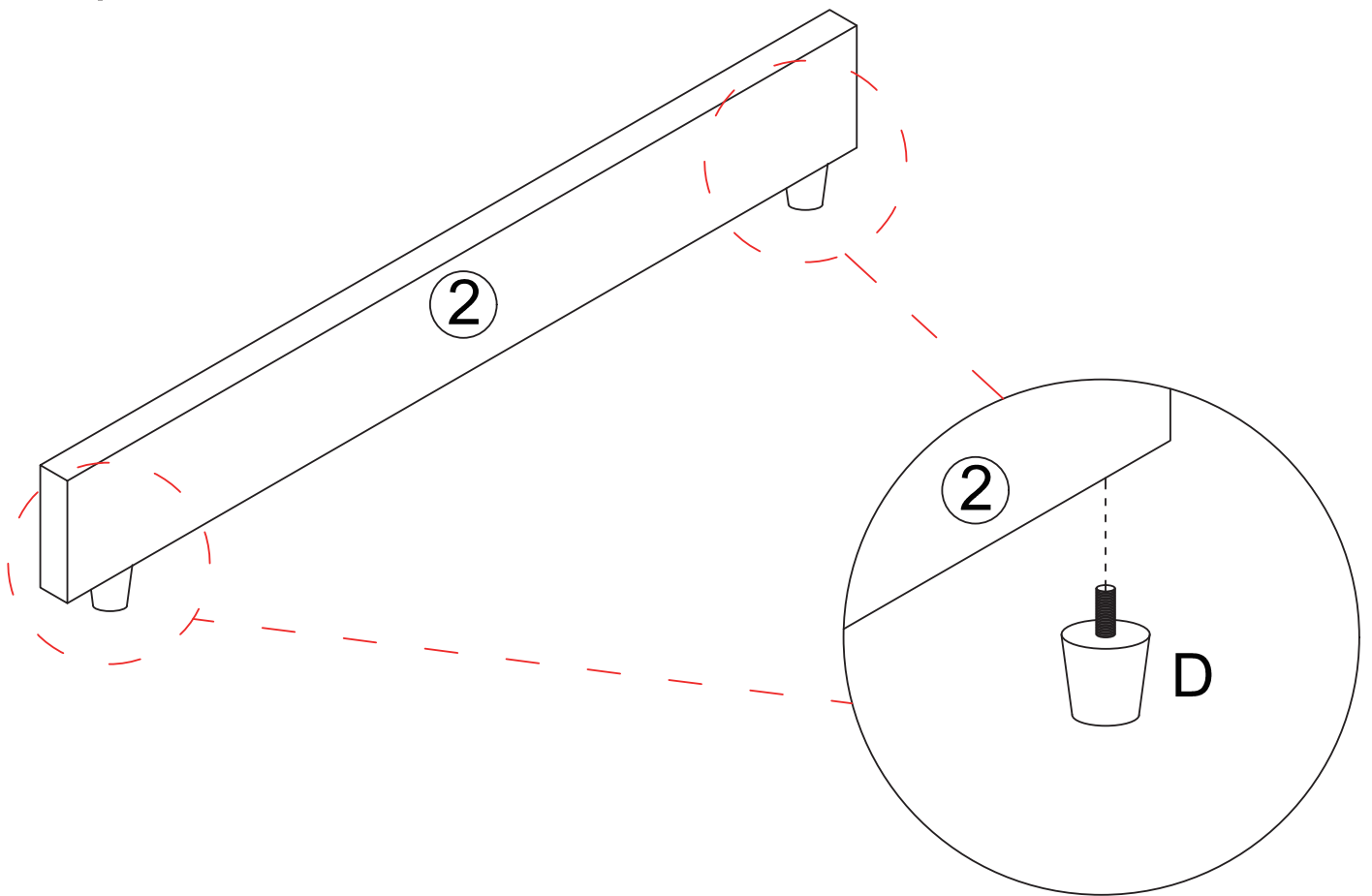
- Use these holes to fit a 10 inch thick mattress (41.7 inch tall overall)
- ★ Utilisez ces trous pour s'adapter à un matelas de 10 Centimètres d'épaisseur (41.7 Centimètres de hauteur totale)
- ▲ Jedes Paar Löcher entspricht einer Matratzendicke. Um eine 10-Zentimeter-Matratze anzupassen (Insgesamt 41.7 Zentimeter)



- Use these holes to fit a 8 inch thick mattress (39.7 inch tall overall)
- ★ Utilisez ces trous pour s'adapter à un matelas de 8 Centimètres d'épaisseur (39.7 Centimètres de hauteur totale)
- ▲ Jedes Paar Löcher entspricht einer Matratzendicke. Um eine 8-Zentimeter-Matratze anzupassen (Insgesamt 39.7 Zentimeter)

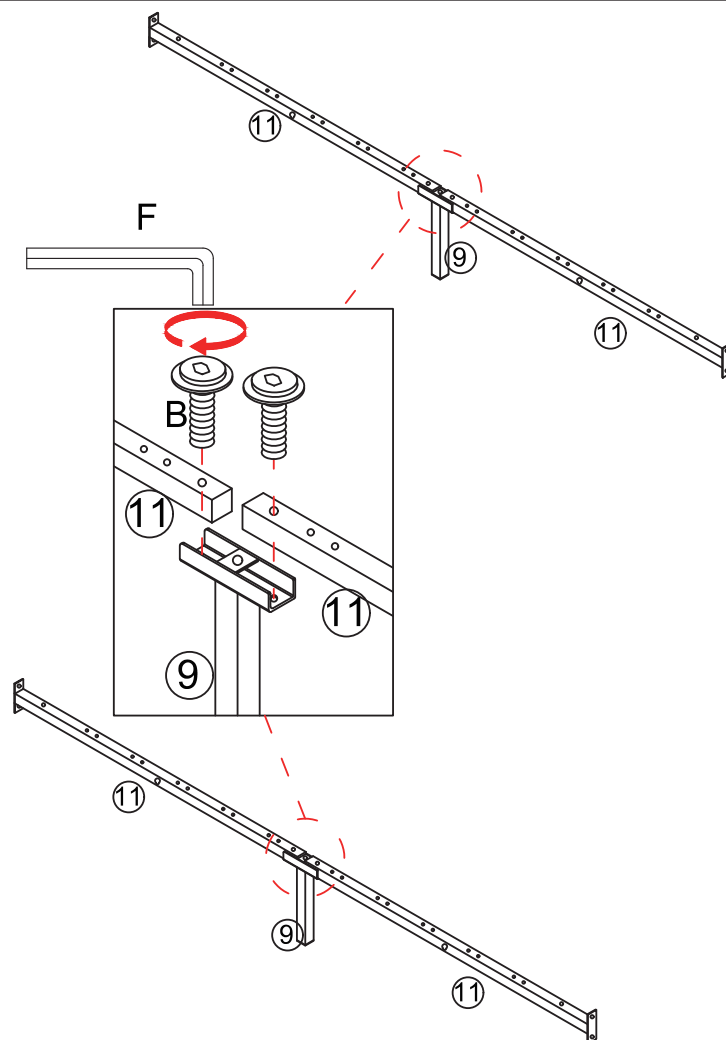
Step 2

 D x 2



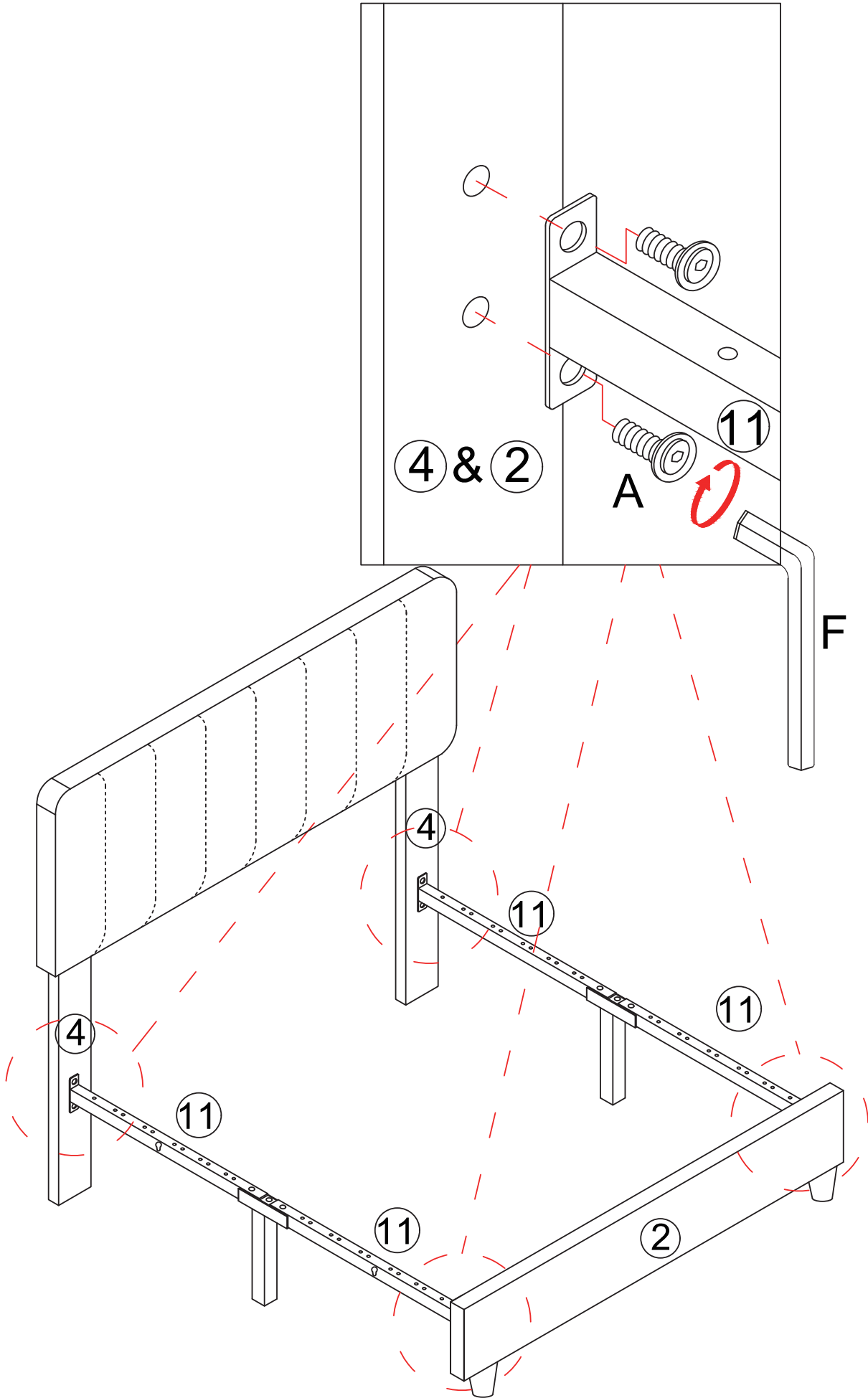
Step 3

 B x 4  F x 1





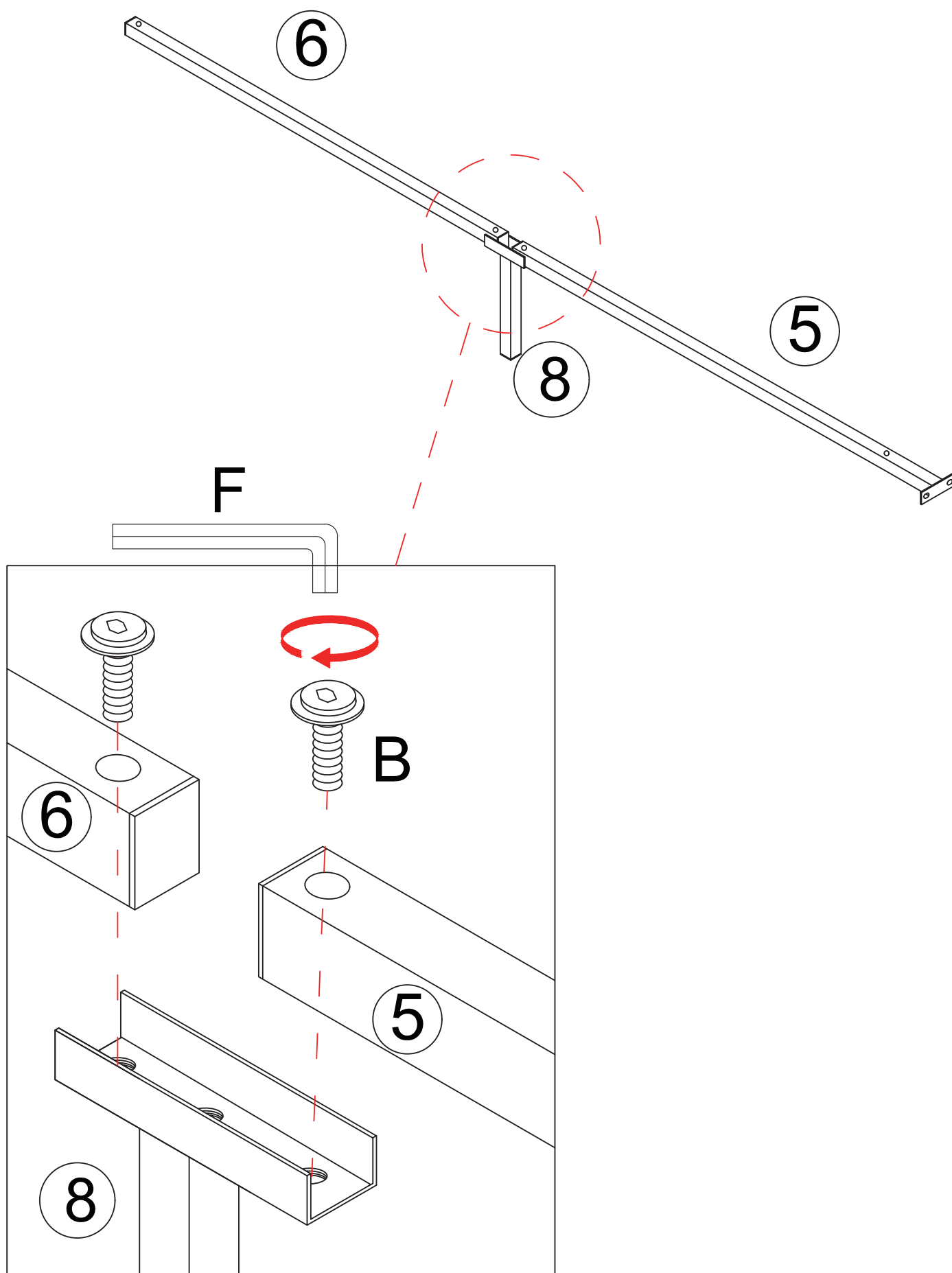
Step 4

 A x 8  F x 1

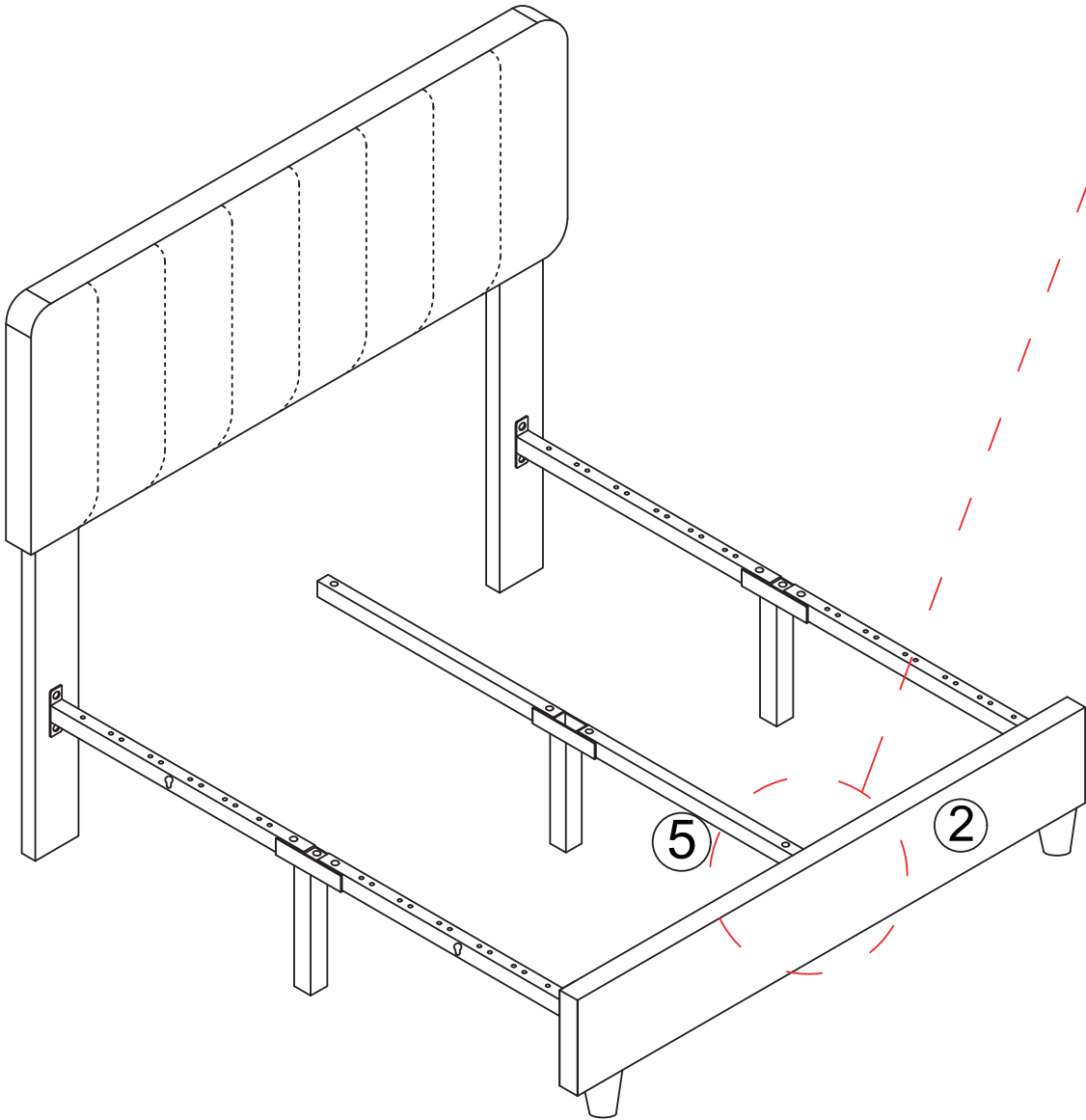
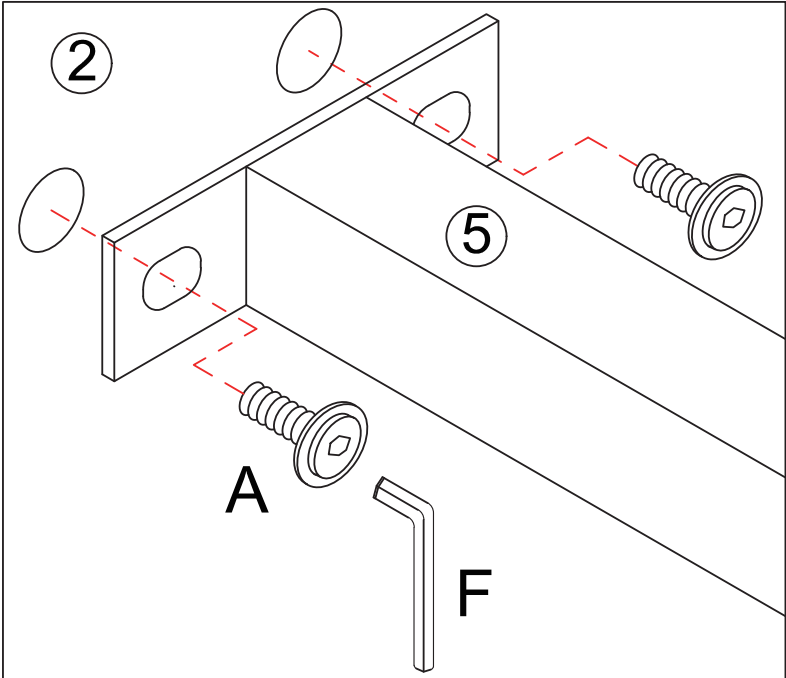


Step 5



	B x 2		F x 1
--	-------	--	-------

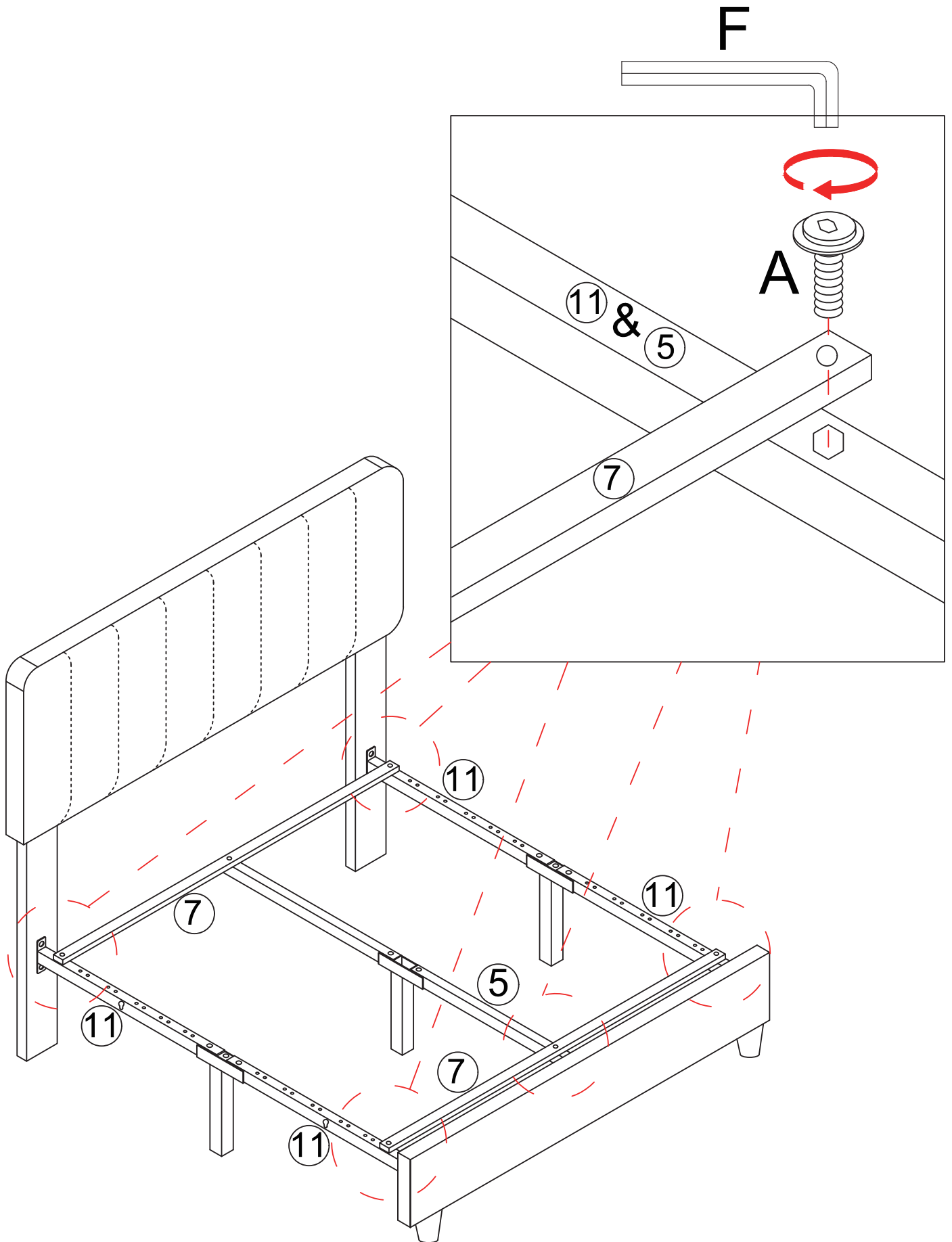


Step 6



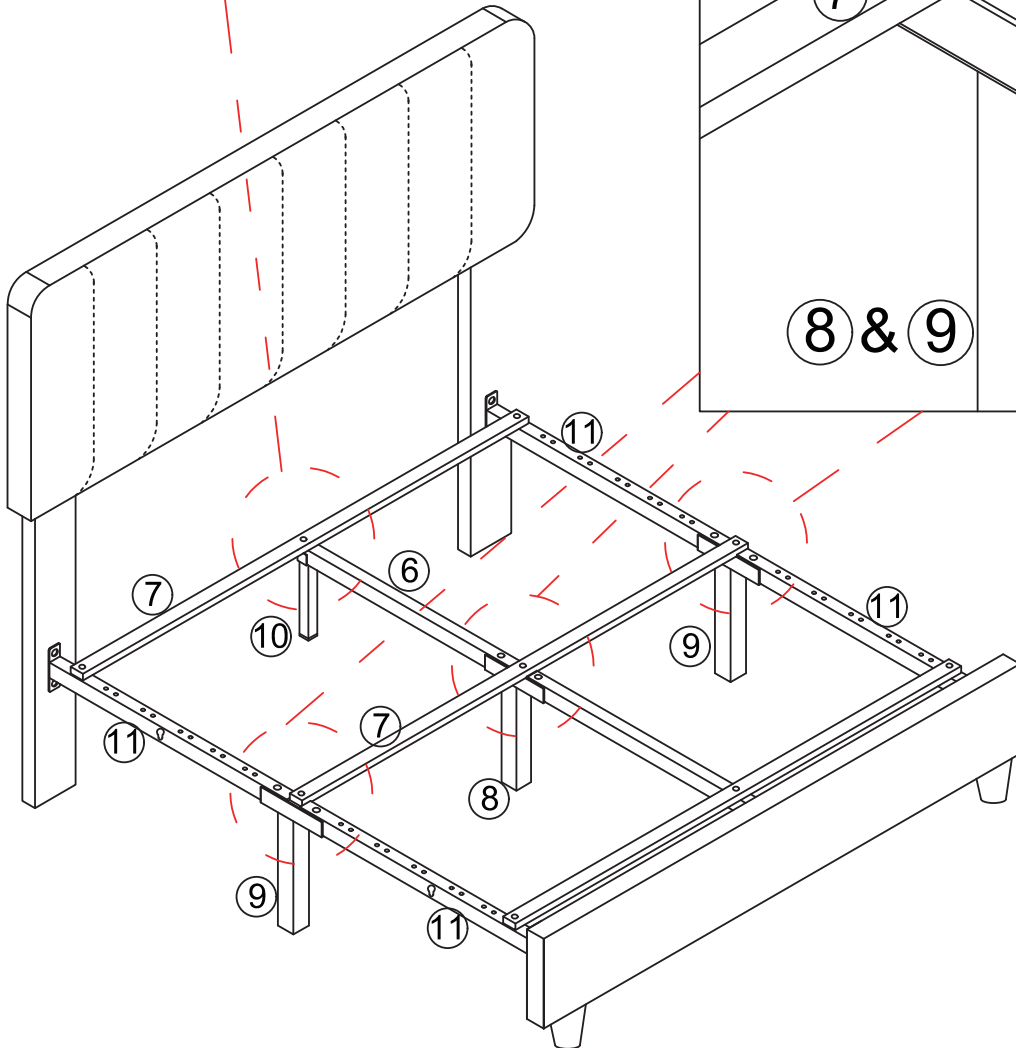
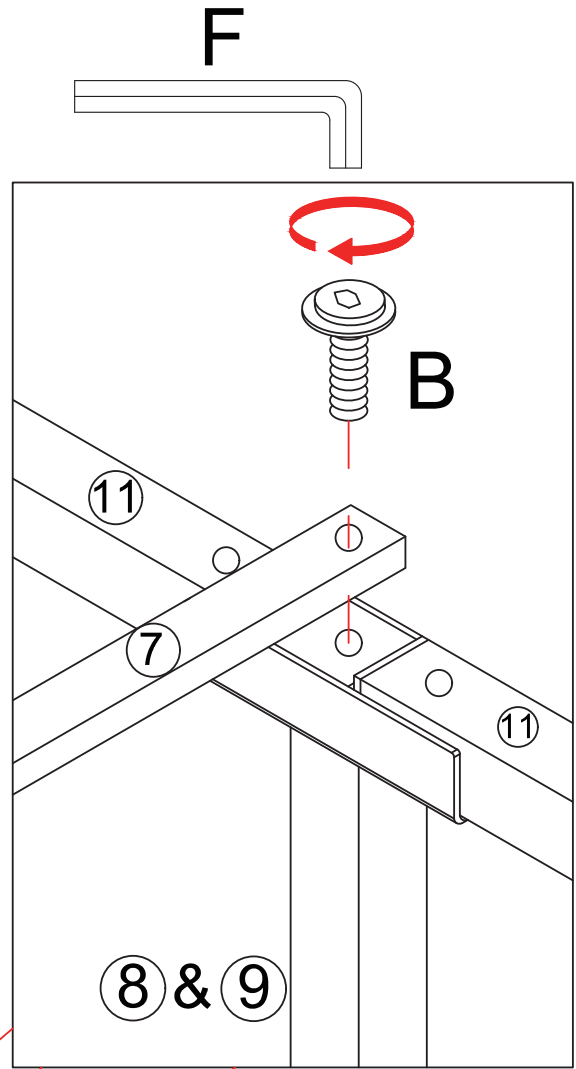
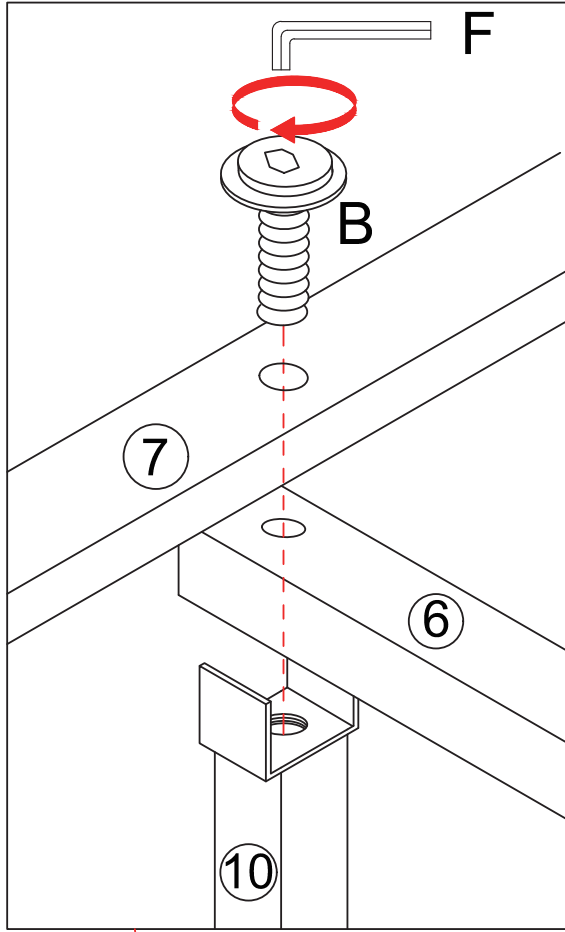
Step 7

 A x 5  F x 1



Step 8

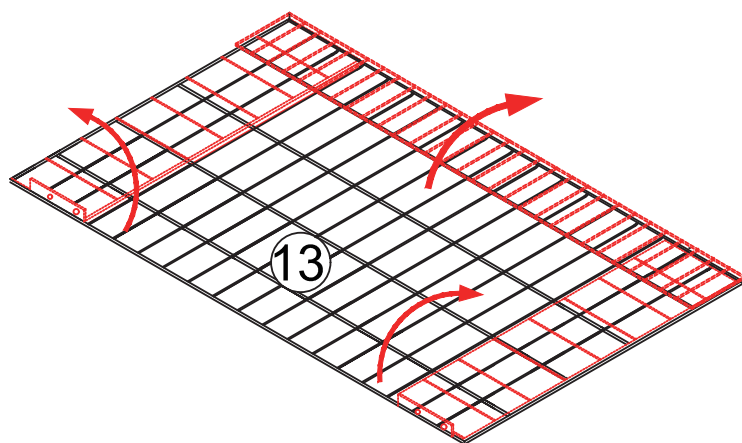
 B x 4  F x 1



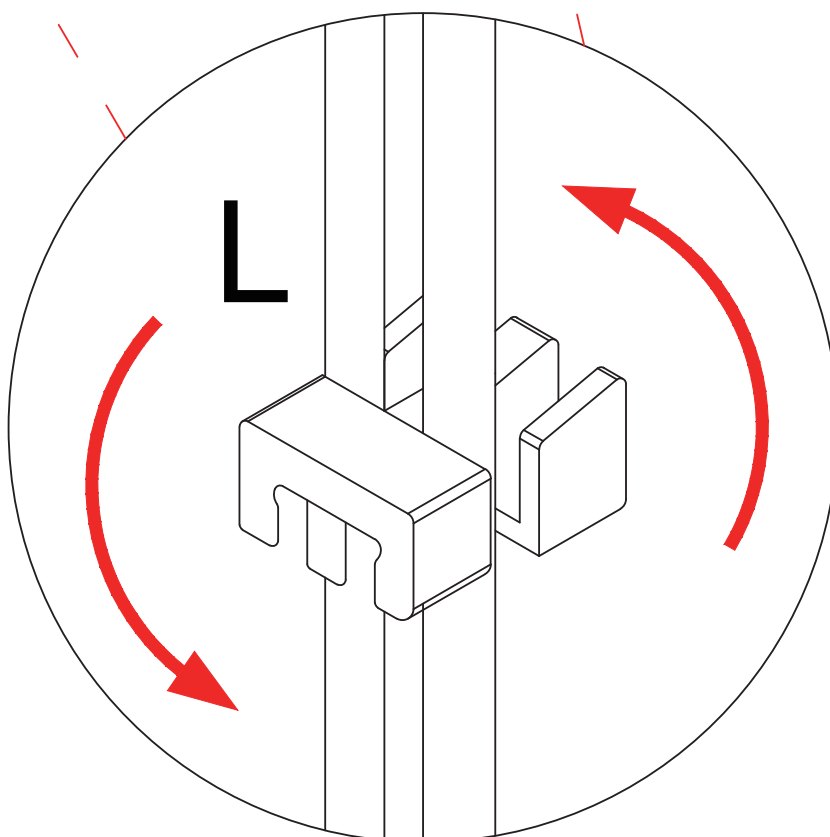
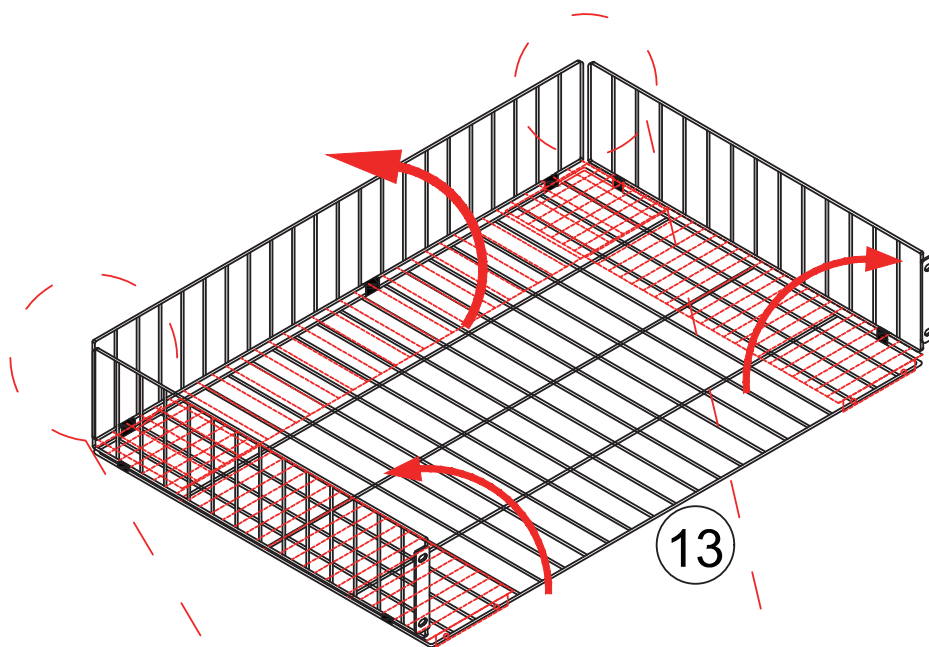
Step 9







L x 8

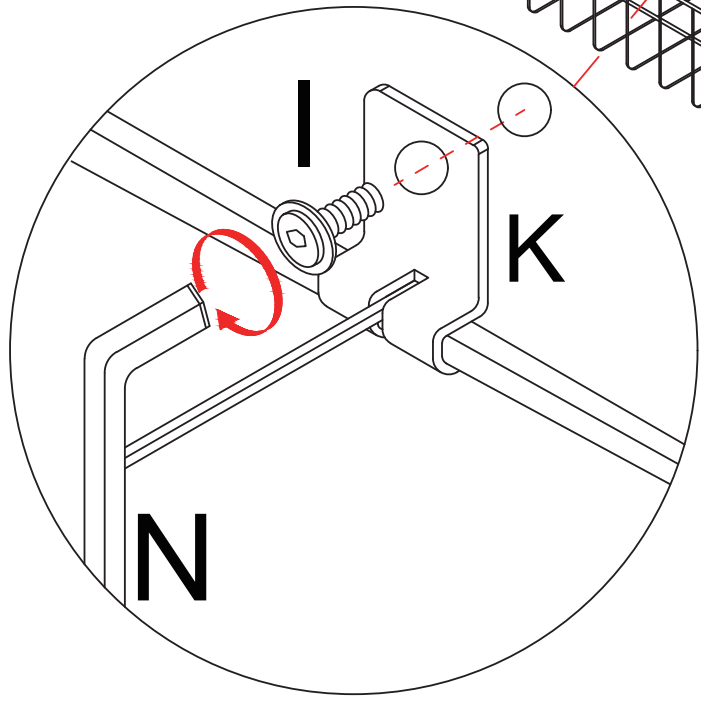
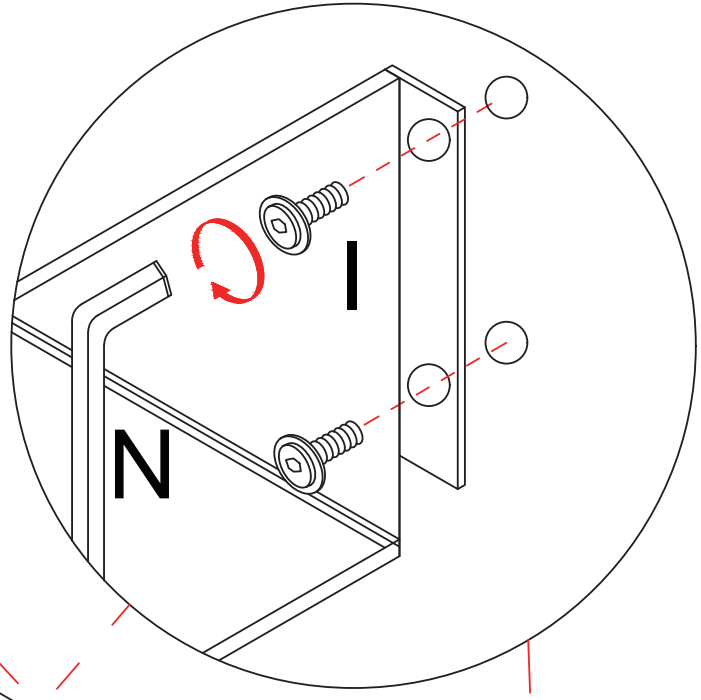
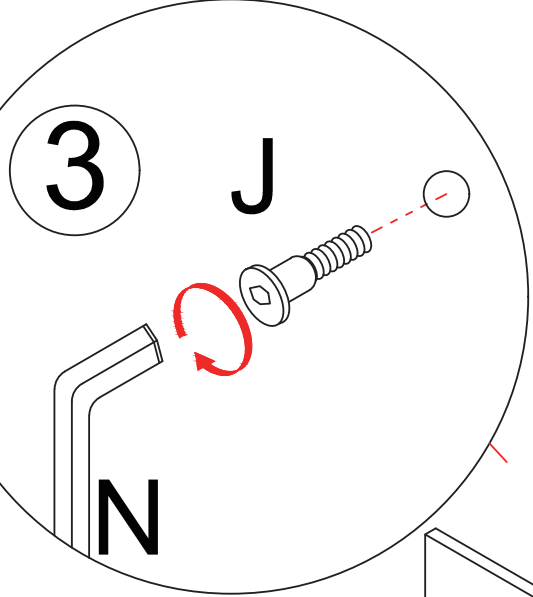
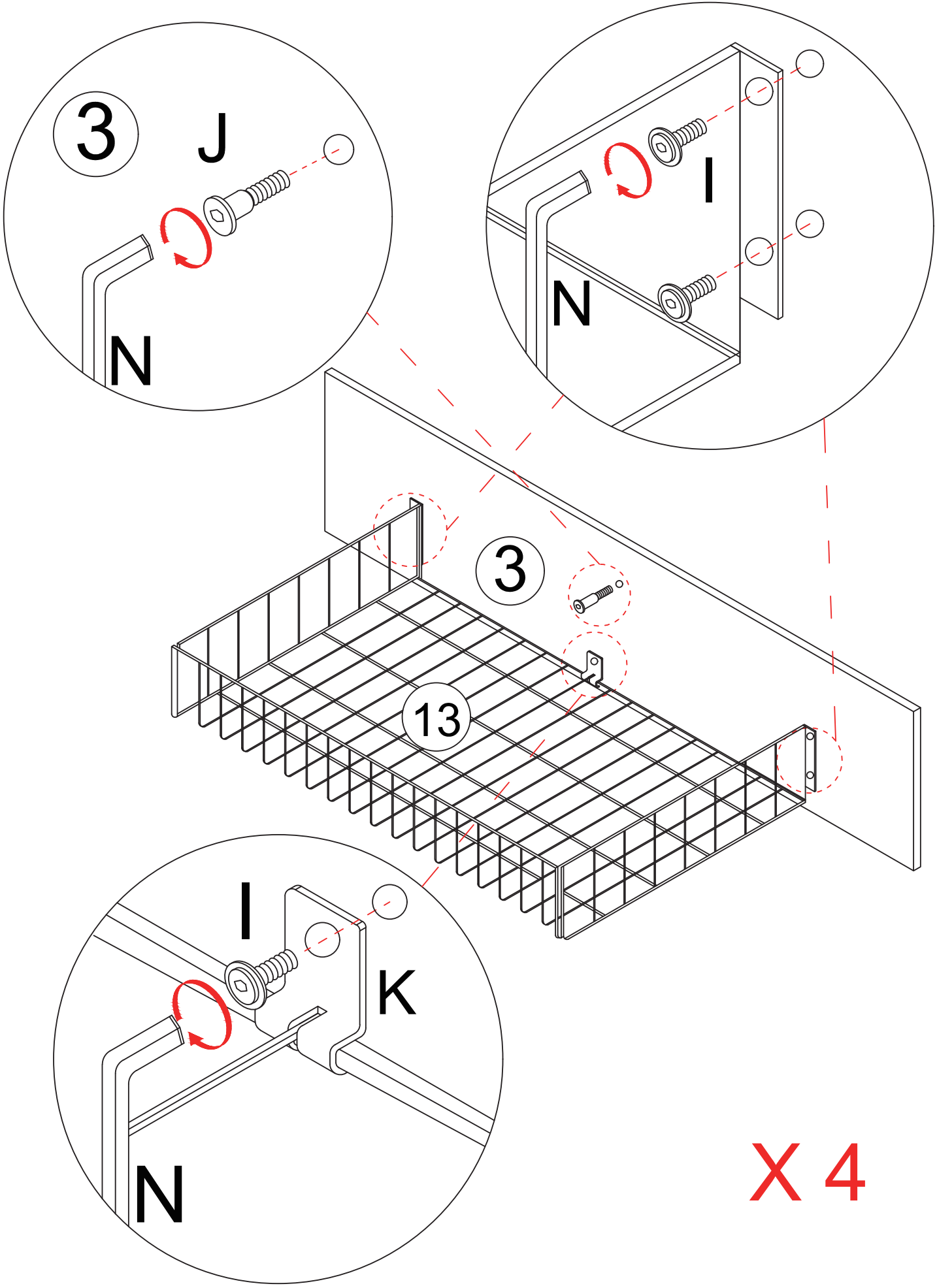


X 4



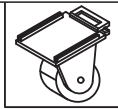
Step 10

-  I x 20
-  J x 4
-  K x 4
-  N x 1

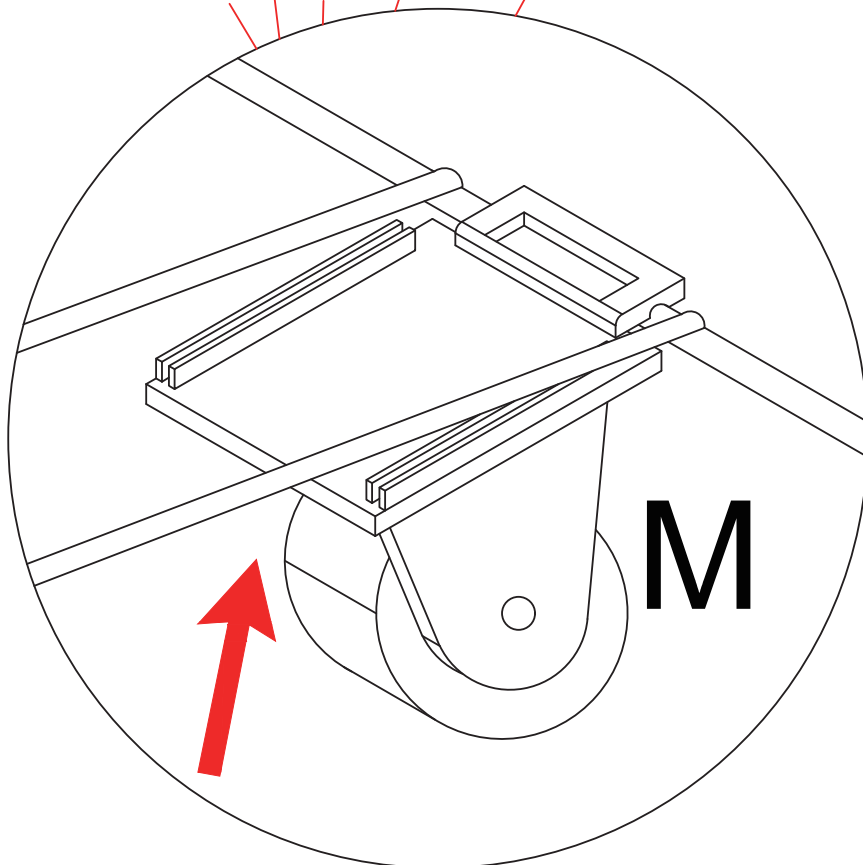
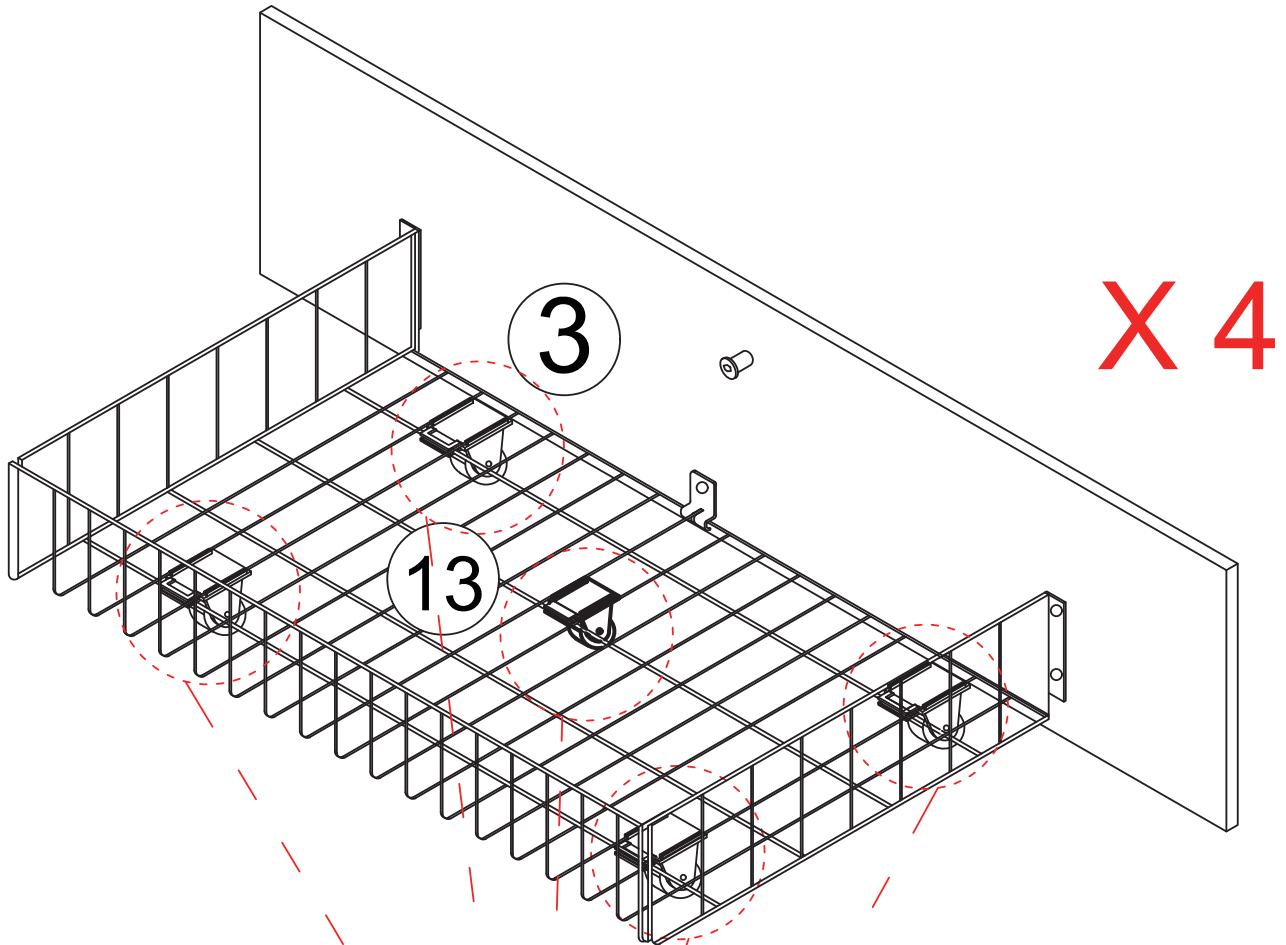


X 4


Step 11



M x 20



Step 12

 E x 20

