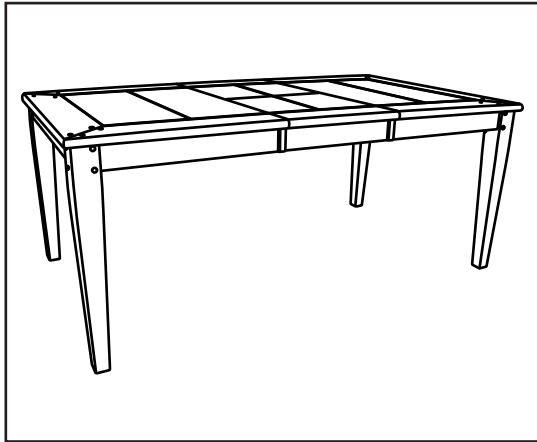


# ASSEMBLY INSTRUCTION

## DESCRIPTION RECTANGULAR OAK VNR B'FLY EXT LEG TABLE

Thank you for purchasing this quality product. Be sure to check all packing material carefully for small parts which may have come loose inside the carton during shipment. Identify and count all parts and compare with the parts List Below :



### HARDWARE LIST

NO.	SKETCH	HARDWARE	Q'TY
A		Hex Nut	8 pcs
B		Large Flat Washer	8 pcs
C		Large Lock Washer	8 pcs
D		Wrench	1 pce

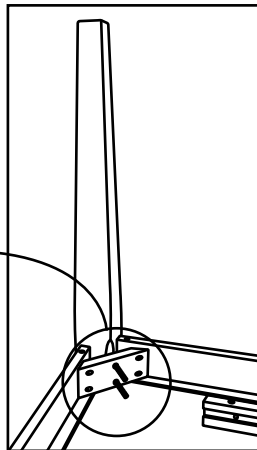
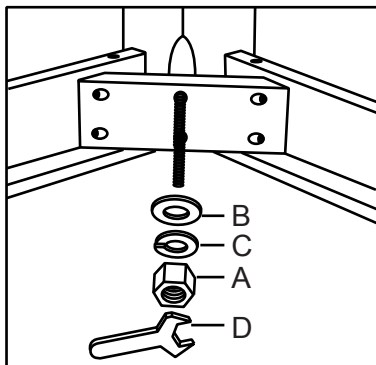
### PARTS LIST

SKETCH		
DESCRIPTION	Table Top	Leg

## ASSEMBLY STEP

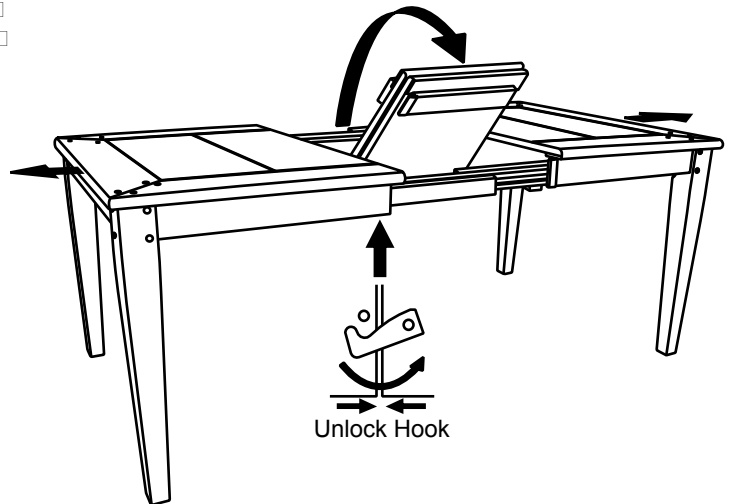
### STEP 1

Turn the Table Top upside down on a protective surface such as carpet or other soft material. Place the leg to corner of Apron, then tighten the Flat Washer (B), Lock Washer (C) and Hex Nut (A) using the Wrench (D) provided. Repeat the same for the other legs. Set the Table upright on its legs.



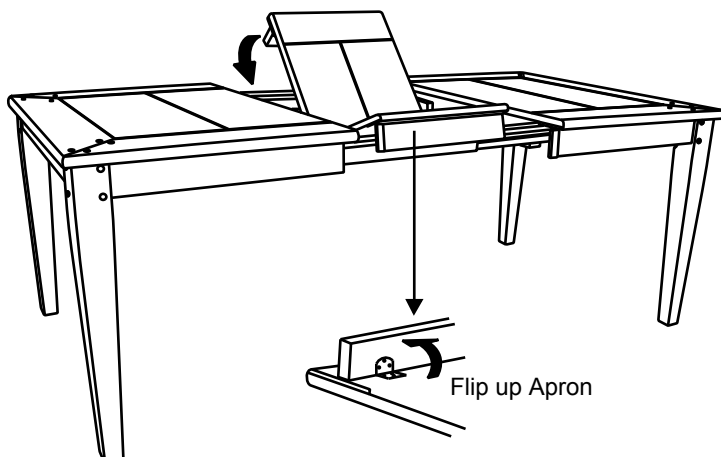
### STEP 2

Unlock the hook underneath the table and pull the table top wide open equally from both end. Lift both leaves from the compartment.



### STEP 3

Flip up the aprons and unfold leaf and place the leaf on the Table Top surface carefully.



### STEP 4

Push table top from both ends to close. Lock the hook underneath the table.

