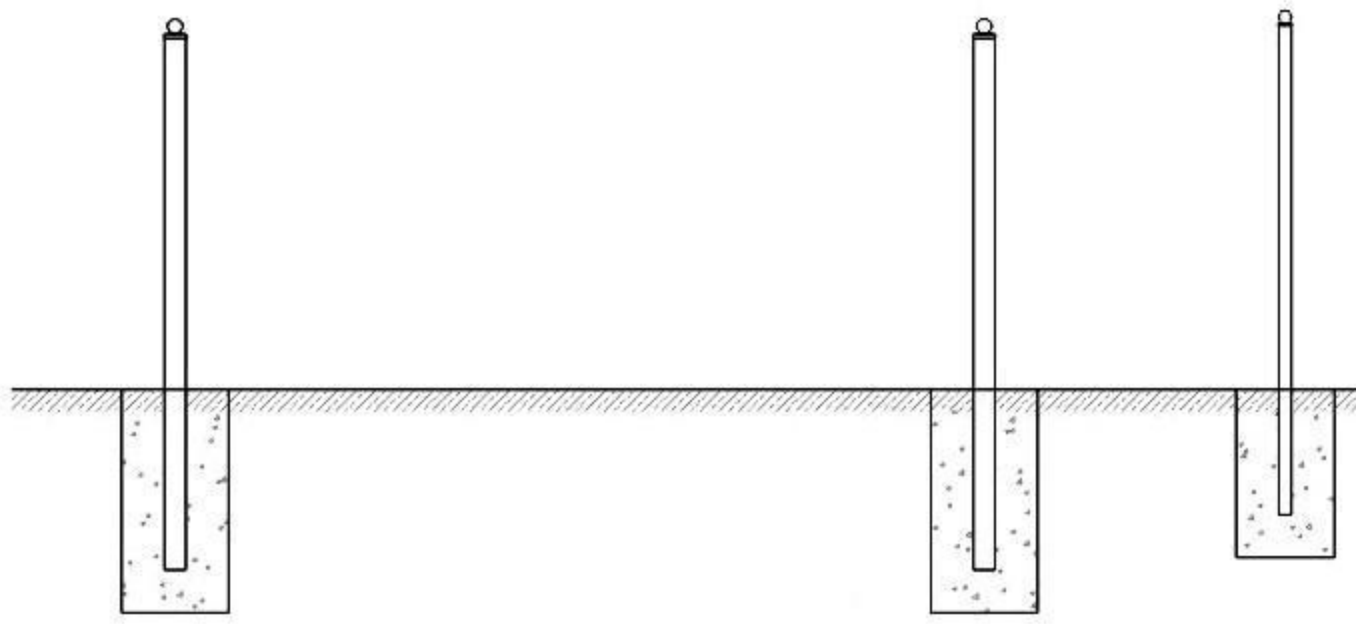
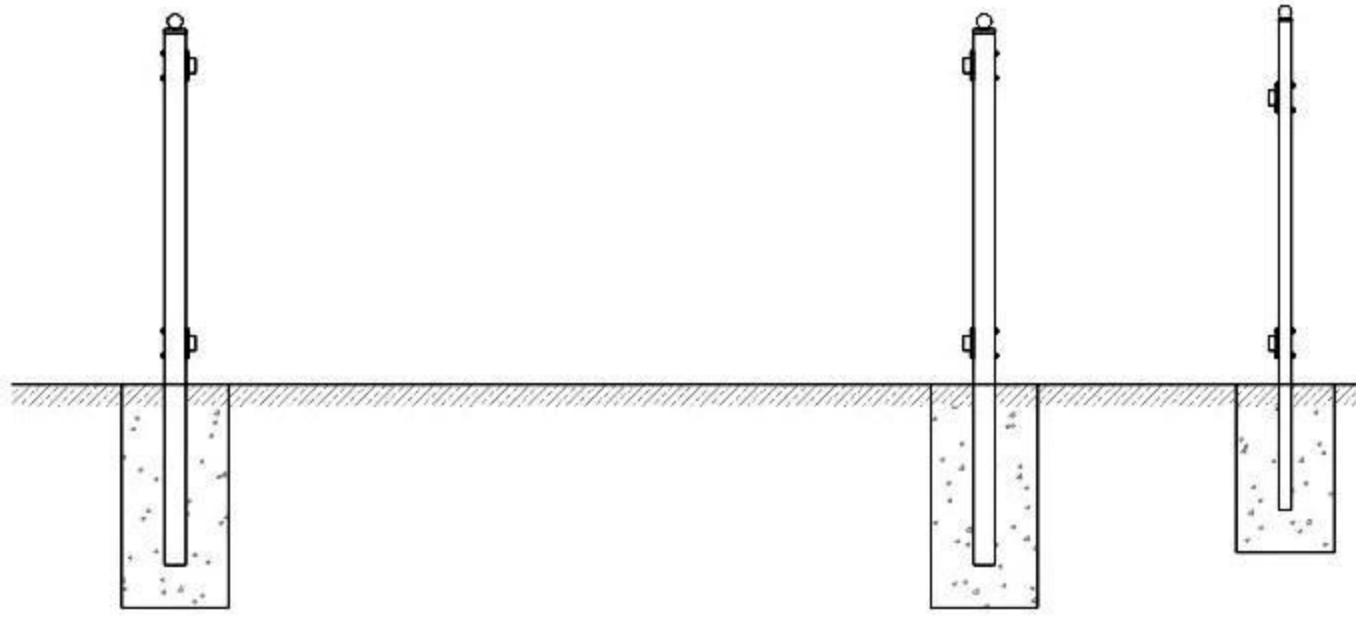


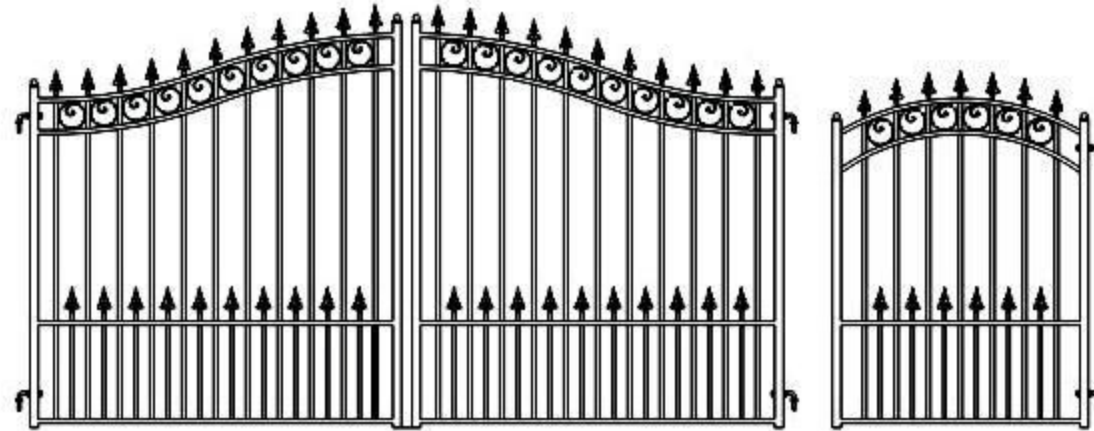
# Installation Diagram



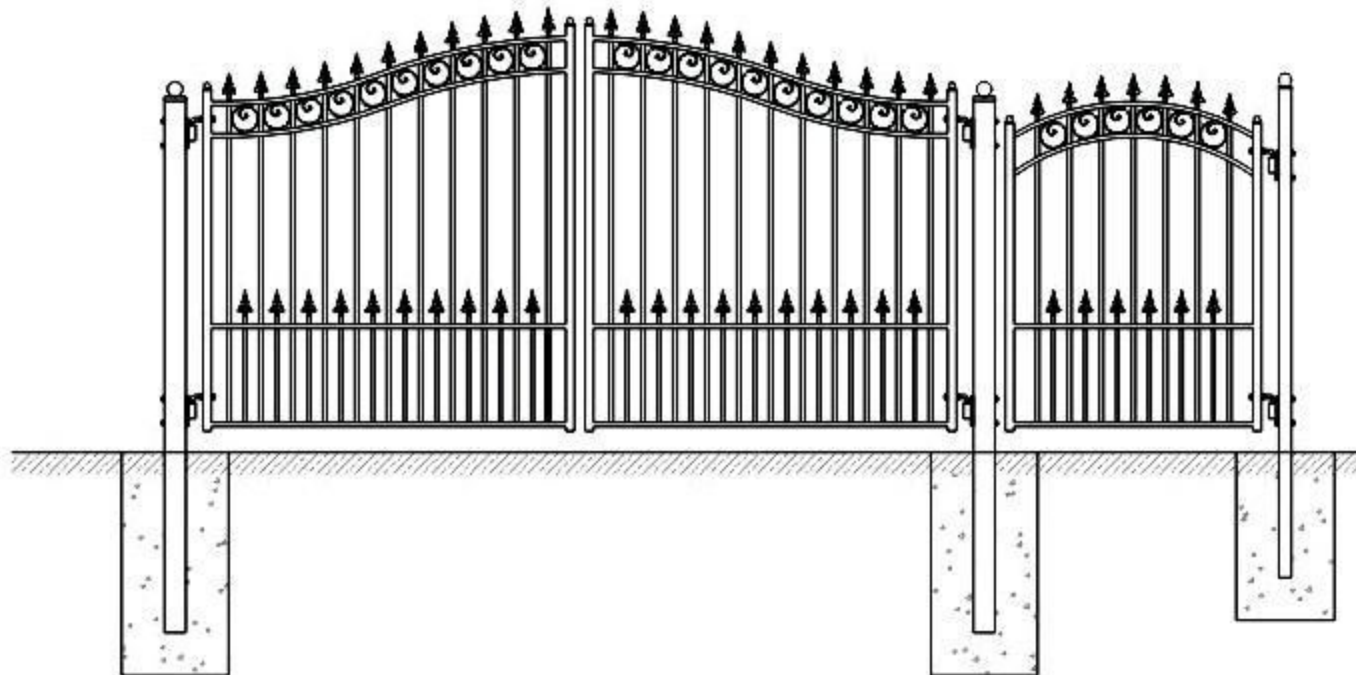
First step: Buried the posts, perpendicular to the ground.



Second step: install  to the posts.



Third step: install  to the gates.



Fourth step: install the gate to the posts.