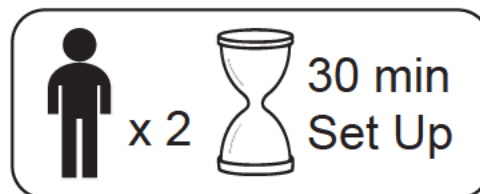
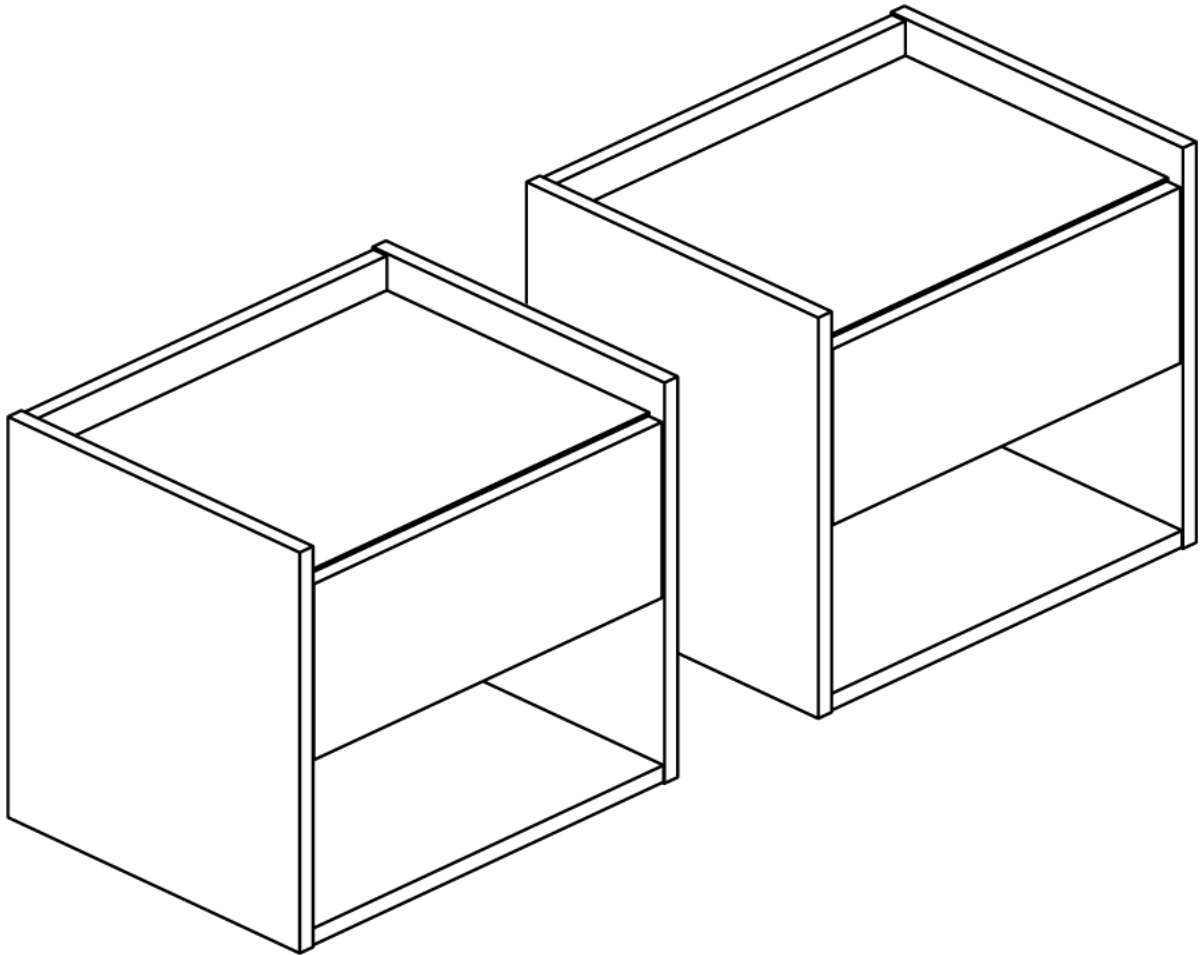


Bedside



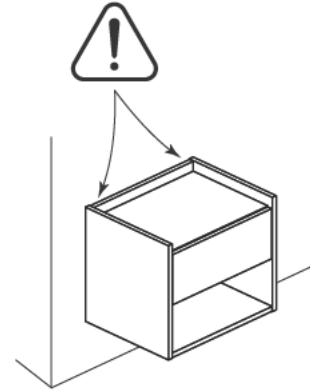
IMPORTANT - Retain these instructions for future reference

Safety

Important - Please read these instructions fully before starting assembly

- Warning: Each unit weighs approximately 8 kgs. Please lift with care.
- Assembly to be carried out by a competent adult only.
- During assembly children should be kept away from the product due to possible risk of injury.
- Installation shall only be carried out exactly according to the manufacturer's instructions - otherwise a safety risk can occur if incorrectly installed.
- Do not use this item if any components are missing or damaged.
- Regularly check all fastenings to ensure they are properly tightened.

- **WARNING:** To prevent falling down, these units must be secured to a wall using the brackets supplied.
- A unit that is allowed to topple can cause serious or fatal injury. In addition to wall fixing the unit, place heavy items on the lower shelves, do not put any heavy objects on top of the unit and never allow children to climb or hang on drawers, doors or shelves.



- Refer to guide after section 16 for wall fixing information.

Care Advice

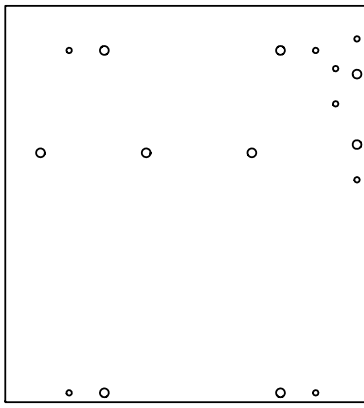
- Check you have all the components and tools listed on relevant pages.
- Remove all fittings from the specified plastic bag and separate them into their groups.
- Parts of the assembly will be easier with 2 people.
- Make sure you have enough space to layout the parts before starting.
- Do not stand or put weight on the product, this could cause damage.

- Assemble the item as close to its final position (in the same room) as possible.
- Assemble on a soft level surface to avoid damaging the unit or your floor (use opened out unit carton).



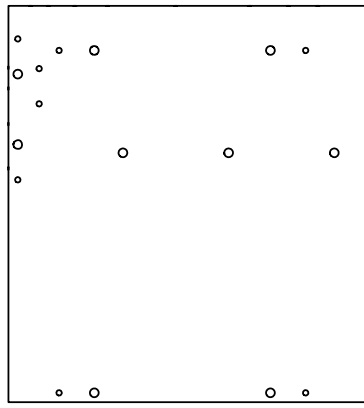
- We do not recommend the use of power drill/drivers for inserting screws, as this could damage the unit. Only use hand screwdrivers.
- Dispose of all packaging carefully and responsibly.
- Only clean with a damp cloth.

Cabinet Panels



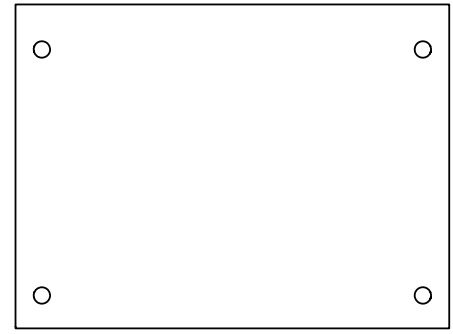
DF-00026191

1 36 x 32.8cm X 2



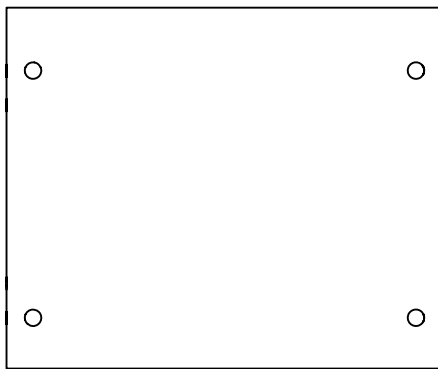
DF-00026192

2 36 x 32.8cm X 2



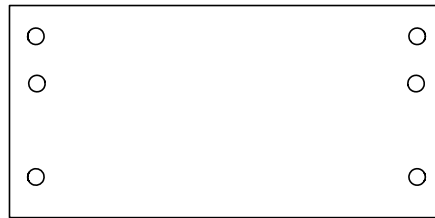
DF-00026190

3 39.5 x 29.5cm X 2



DF-00026193

4 39.5 x 32.7cm X 2

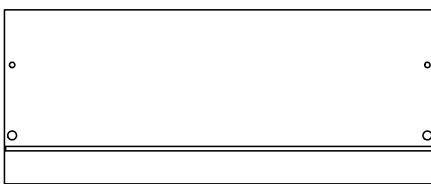


DF-00026194

5 39.5 x 19.3cm X 2

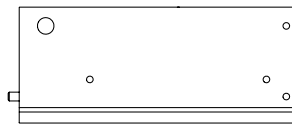
Drawer Panels

Note: the internal drawer panels are grey



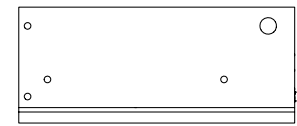
DF-00026196

6 39.1 x 15.8cm X 2



WRP-00000637

7 25 x 10.5cm X 2



WRP-00000638

8 25 x 10.5cm X 2



WRP-00000638

9 36.45 x 10.5cm X 2

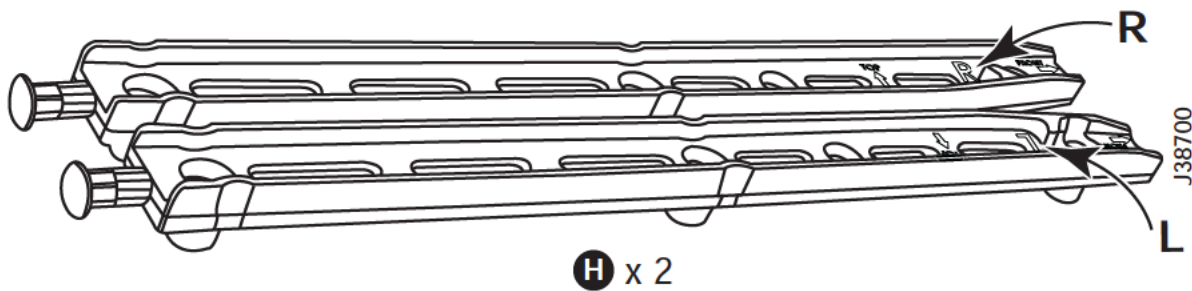
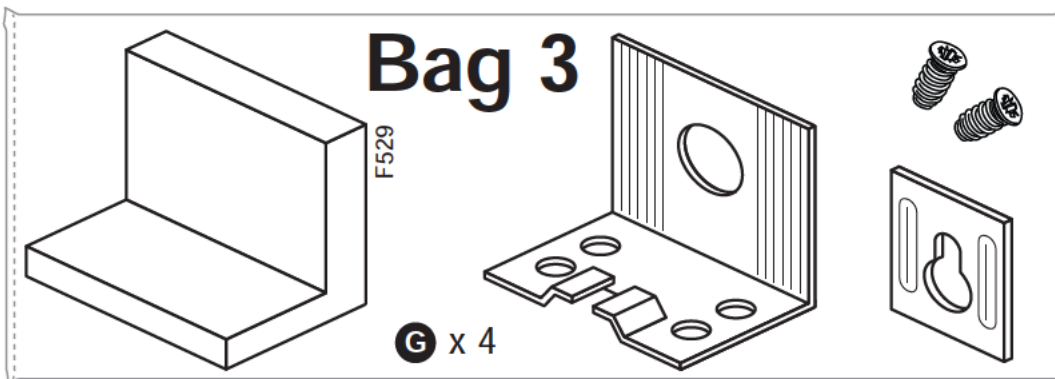
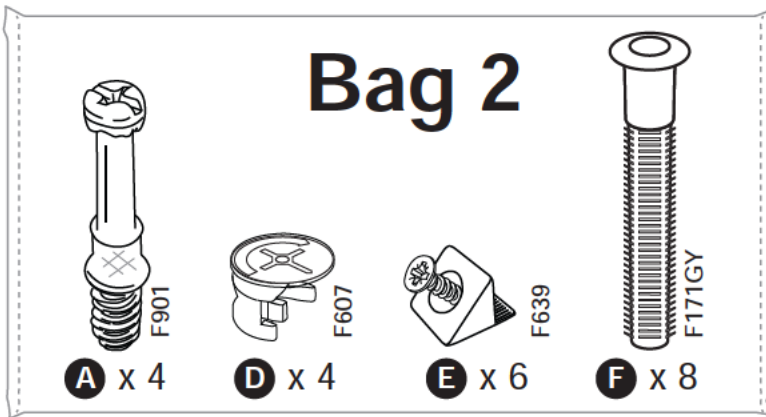
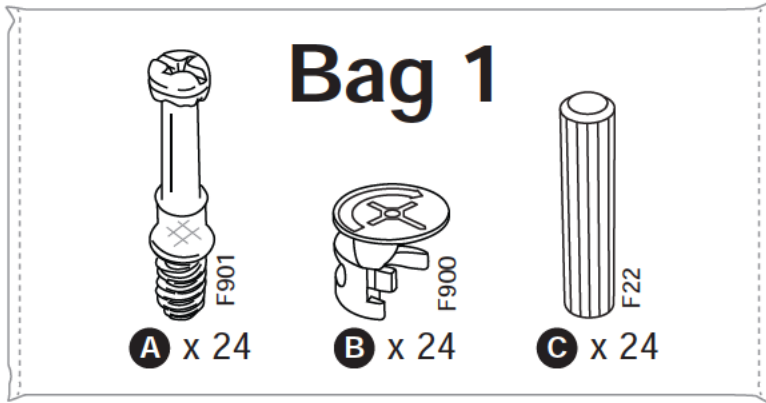


TDF-00026211

10 37.55 x 24.7cm X 2

Fittings

Use these drawings to correctly identify the fittings



Tools



Only used for drilling walls

1 Set aside 1 of every panel and half of all fittings to be used later to assemble the 2nd bedside

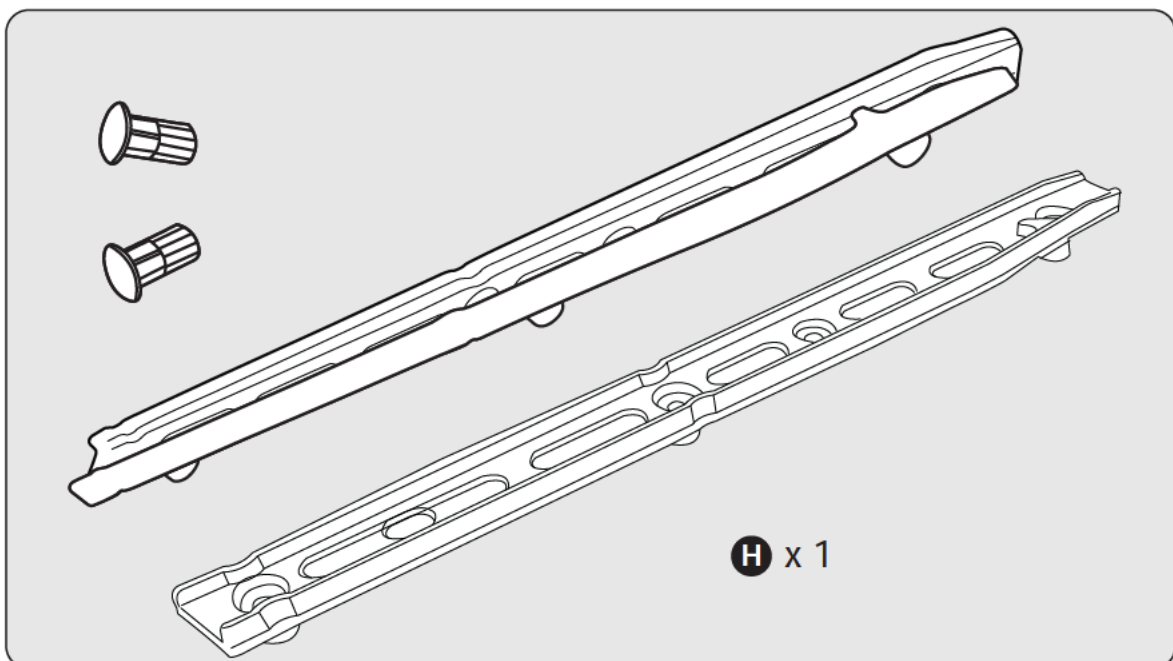
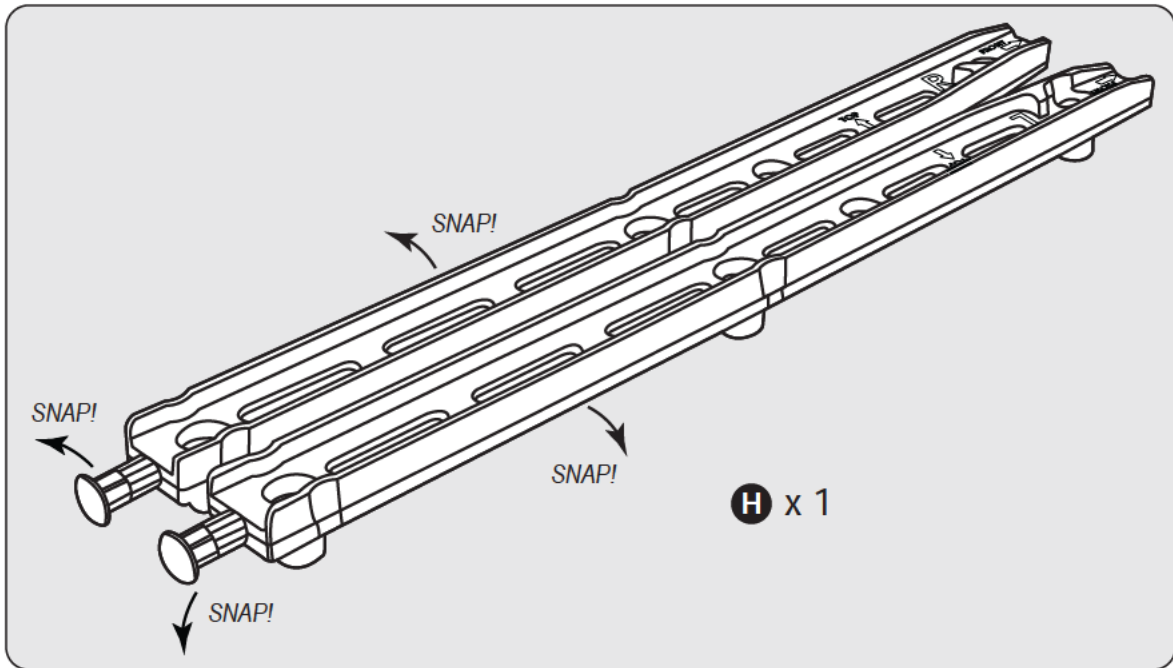
Important: Fittings for both bedsides are packed together. Separate each bag into 2 equal groups, and set aside 1 of each

2

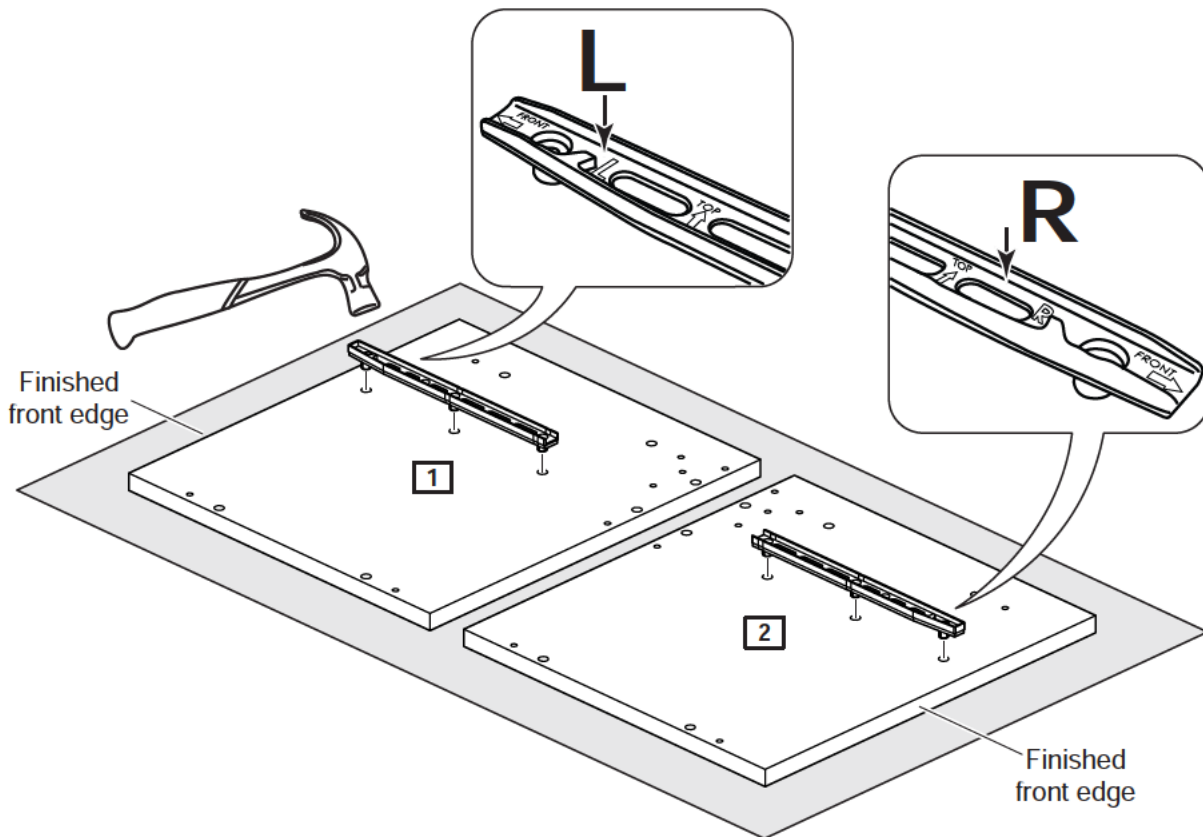
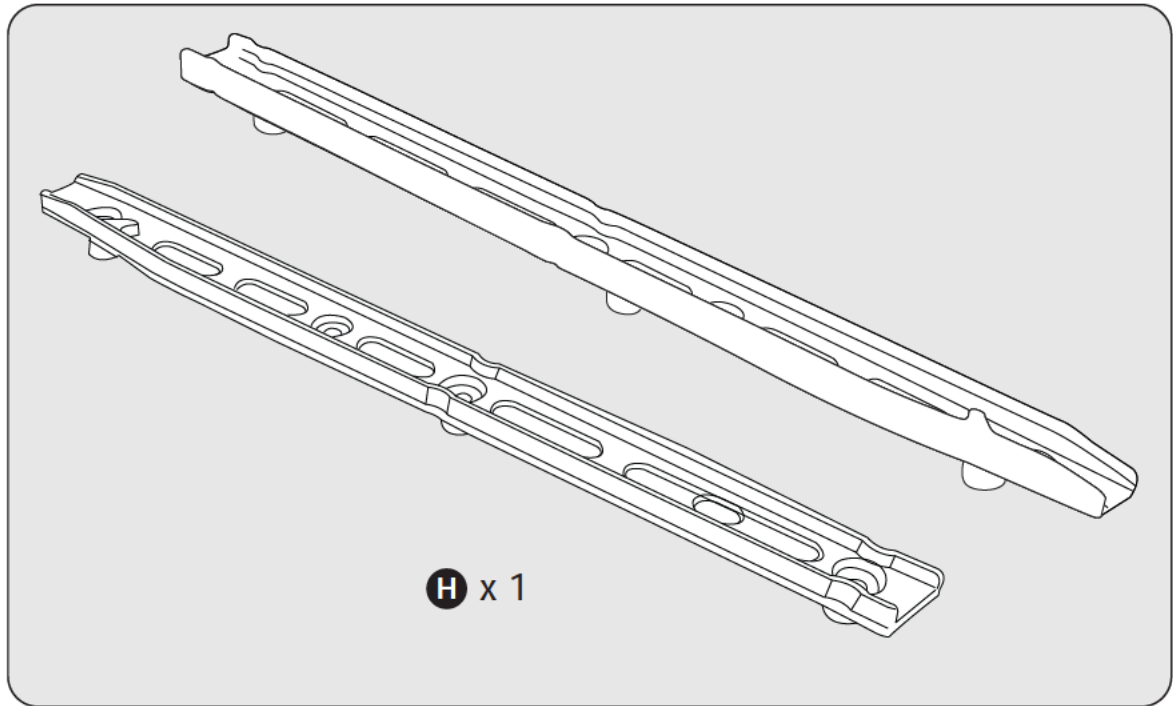


Fitting Plastic Runners

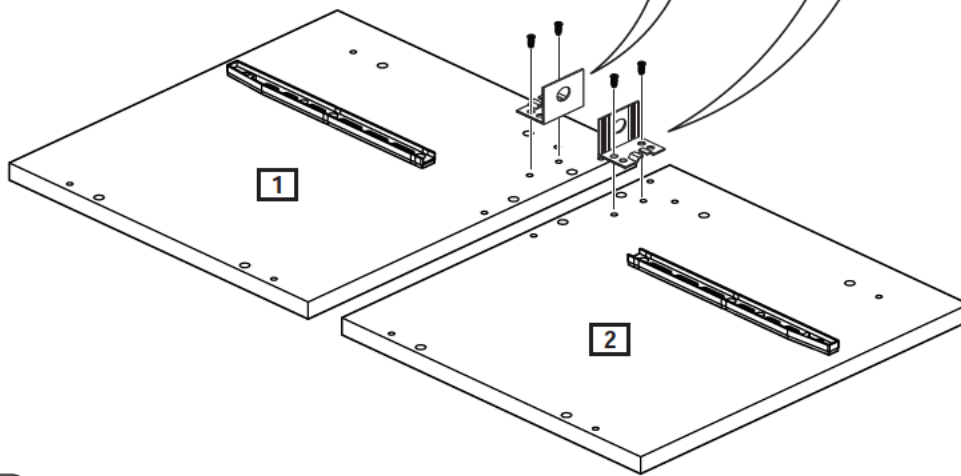
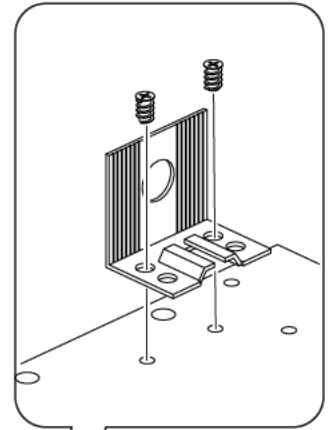
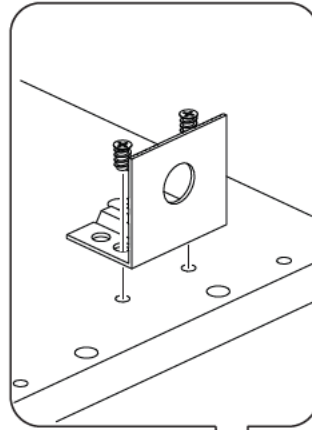
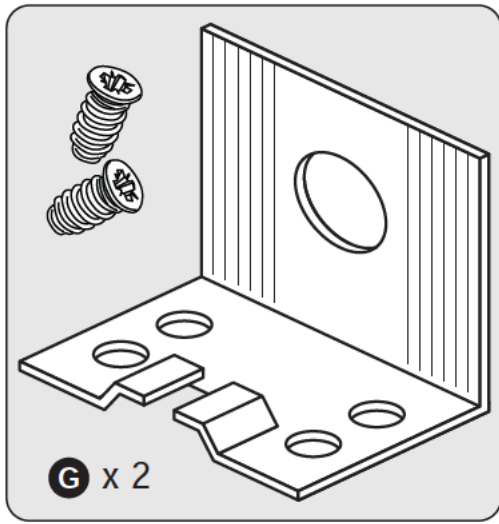
www.youtube.com/watch?v=UASzY5gcboY



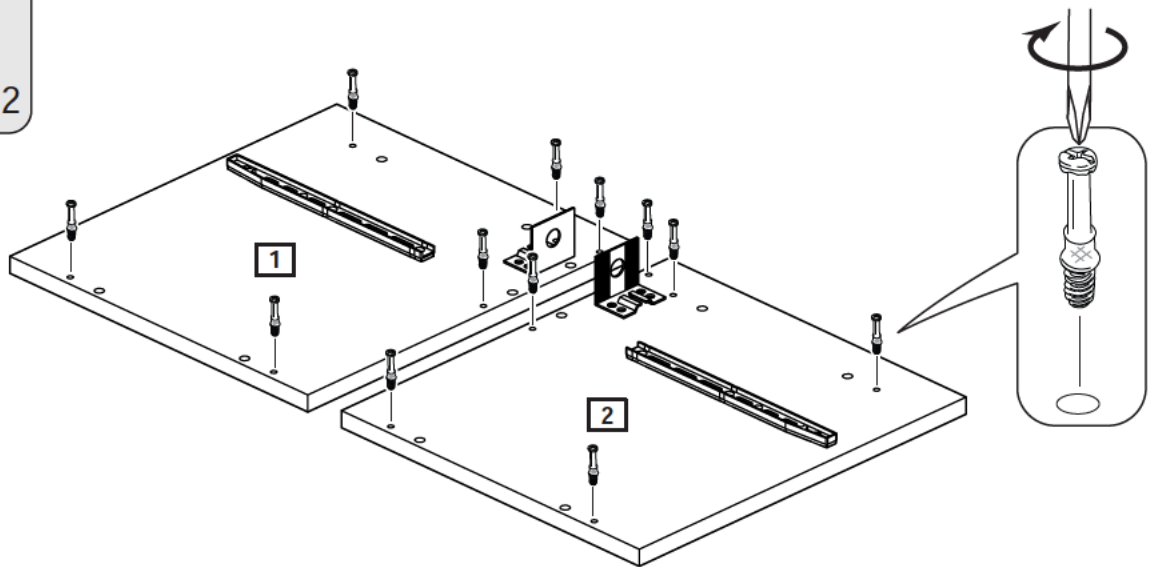
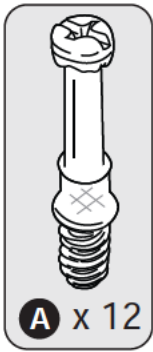
3



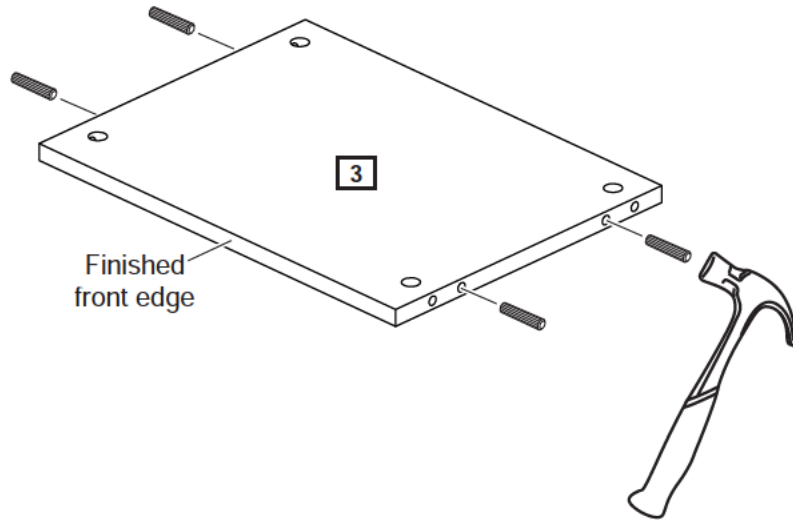
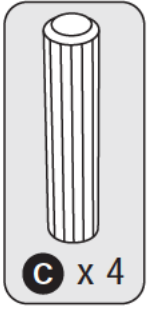
4



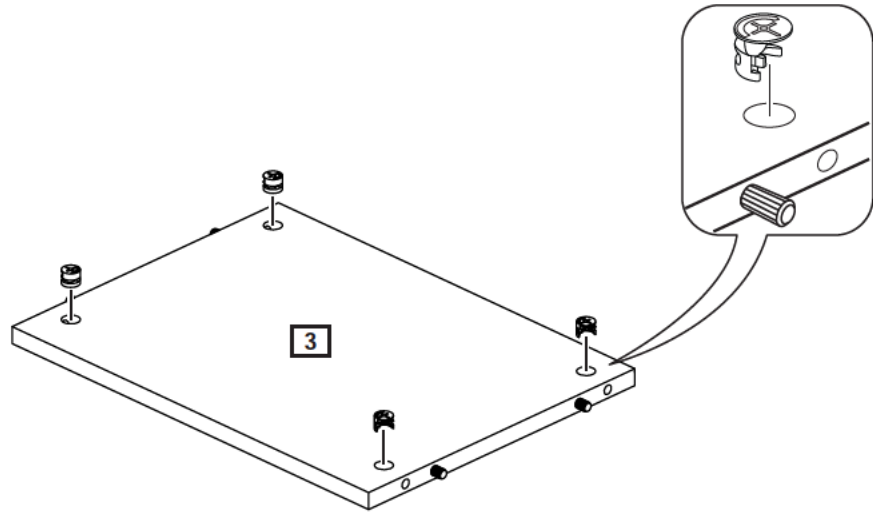
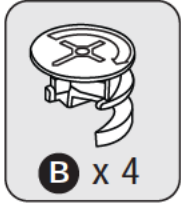
5



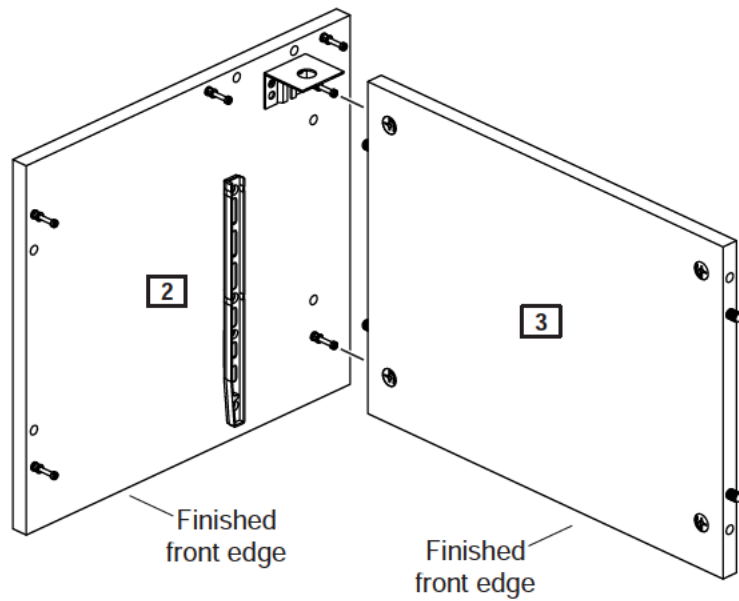
6



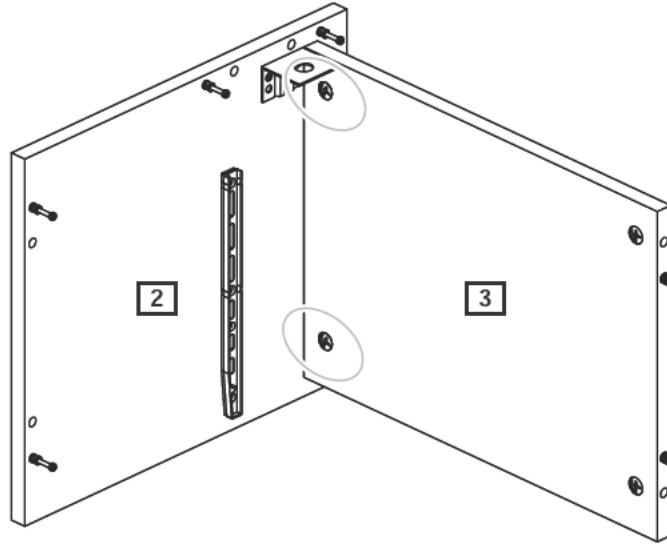
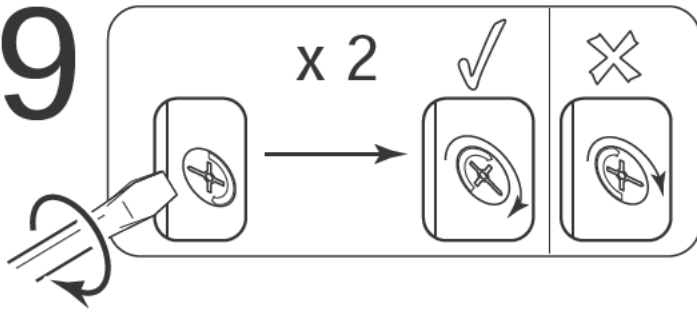
7



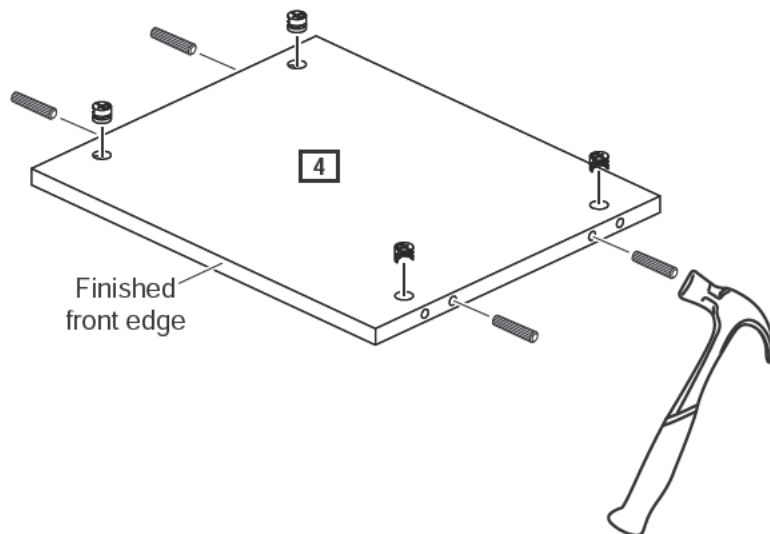
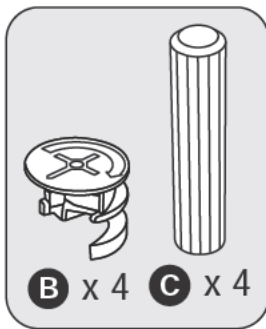
8



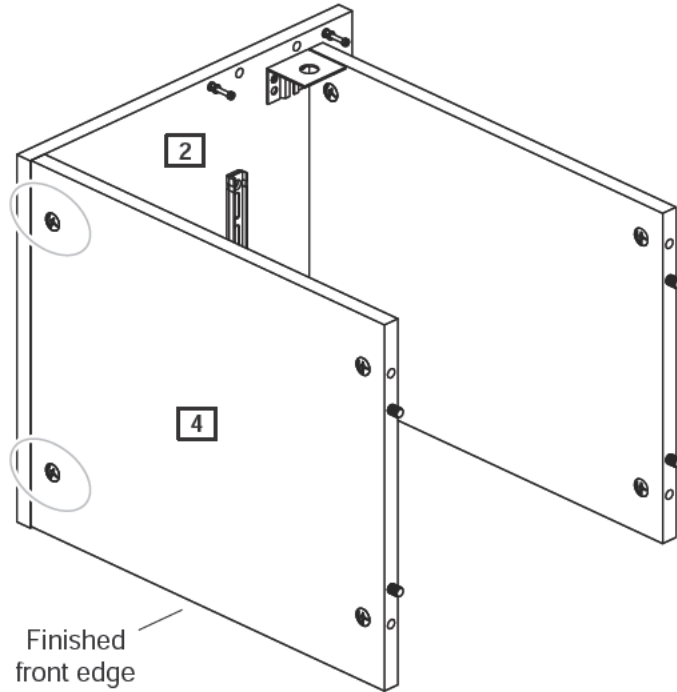
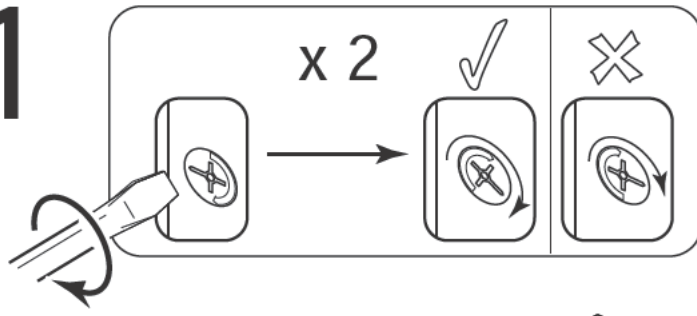
9



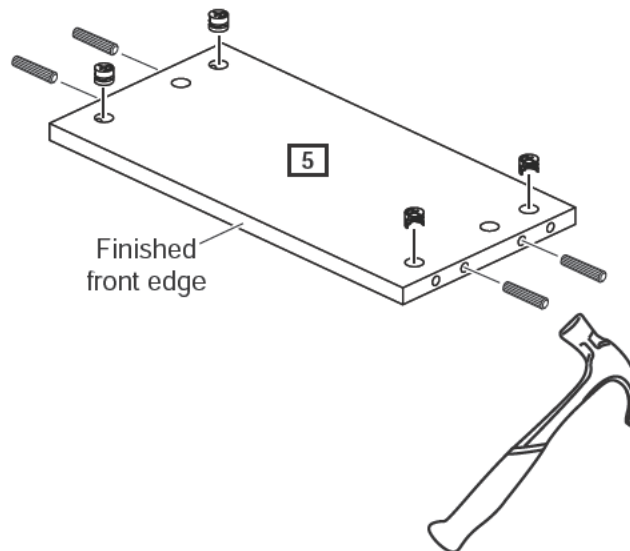
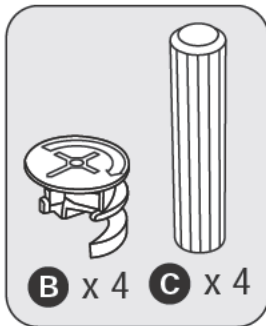
10



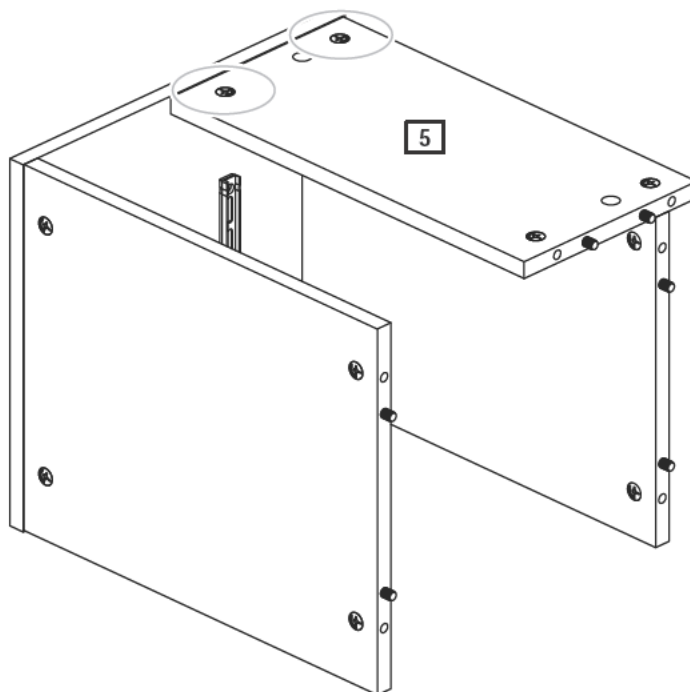
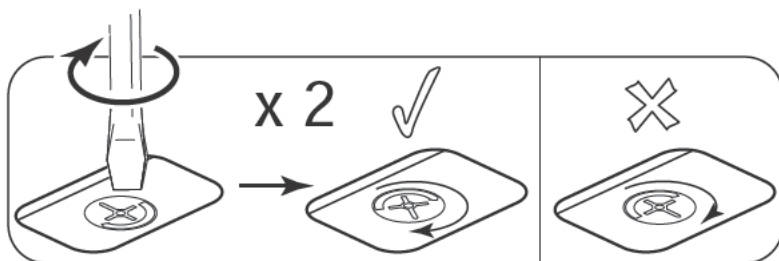
11



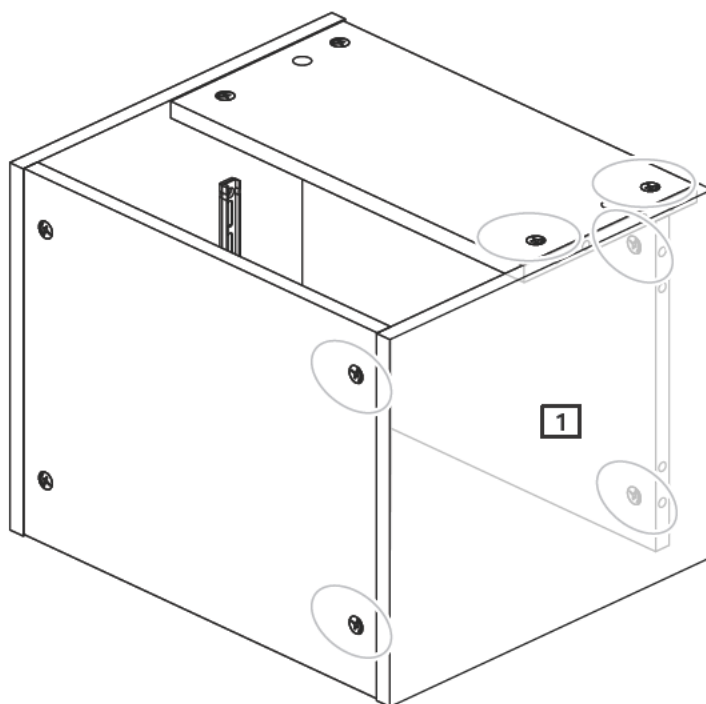
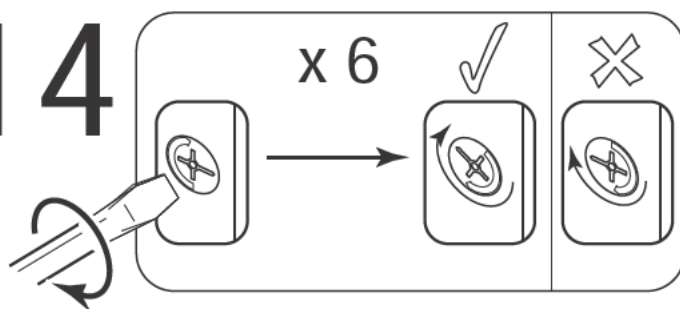
12



13



14

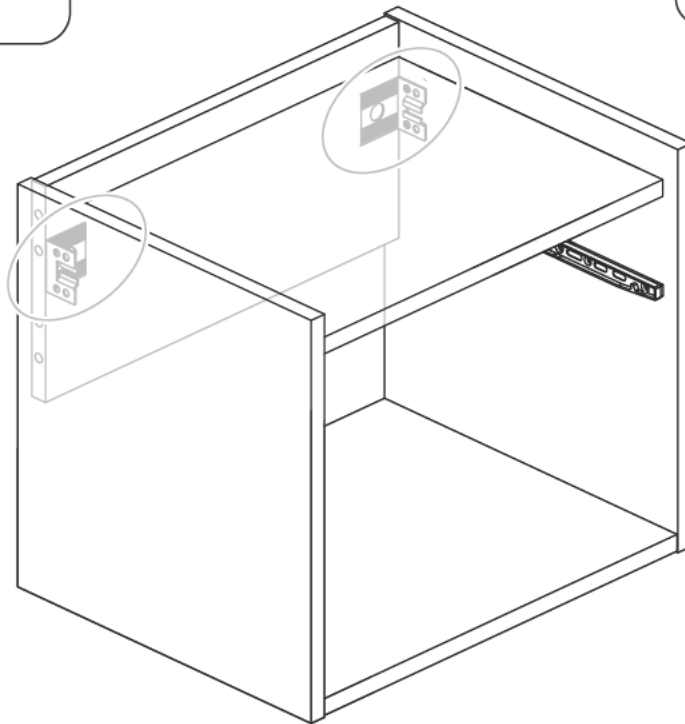
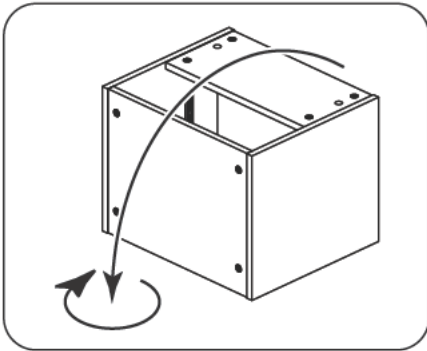


15

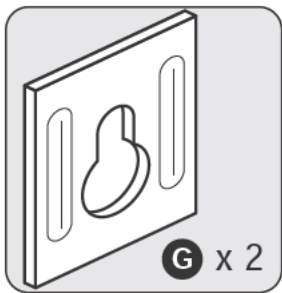


Using 2 people place the unit onto the wall in the required position.

When it is in the correct position, mark the centre of the hole in each of the unit's 2 Brackets for drilling.



16

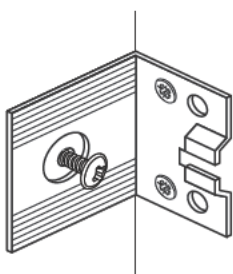
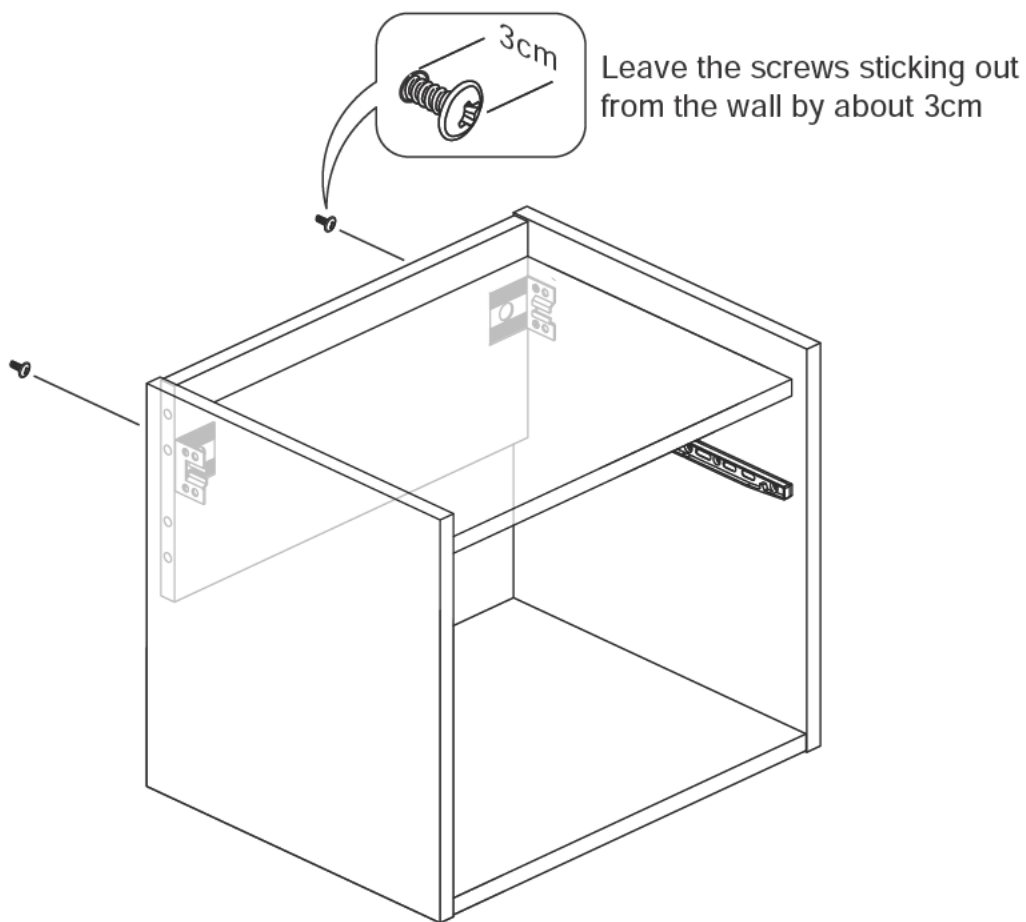


Drill the holes for the Bedside Brackets

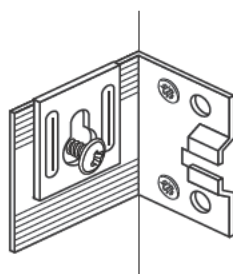
Drill into the mark-holes in the wall using an appropriate drill-bit.
The screws and plugs are not supplied as they need to be the correct type to suit your wall.

Note: Take care when drilling the wall that you do not drill into any pipes, wires etc.
If in doubt, consult an expert.

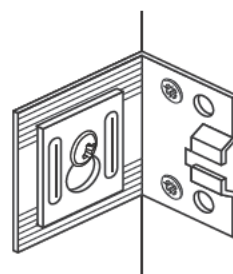
See the next section for a guide to wall mounting and fixings



Carefully place the Bedside unit onto the wall by positioning the Brackets over the Screws



Fit the key-hole part of the Bracket over the screw, making sure that its protruding parts at the top and bottom are against the grooves in the Bracket



Make sure the unit is level, then drop the key-hole part over the Screw and tighten it up

A Guide to Wall Mounting & Fixings

Important note:

If plastic wall plugs are supplied with your product:



- these are only suitable for use in masonry walls.

If you are in any doubt about the correct wall plugs for your wall, seek professional advice.


Failure of the product due to using incorrect fixings is the responsibility of the installer.



Important: When drilling into walls always check that there are no hidden wires or pipes etc.

Make sure that the screws and wall plugs being used are suitable for supporting your unit. Consult a qualified tradesperson if you are unsure.

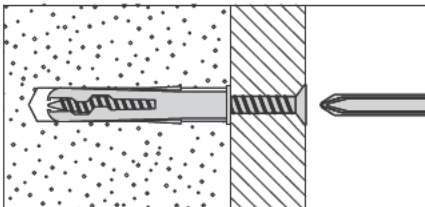
Hints:

- 1: General rule:  Always use a larger screw and wall plug if you are not sure.
- 2: Ensure you use the recommended drill bit to match the wall plug and hole size.
- 3: Ensure you drill the hole horizontally, do not force the drill or enlarge the hole.
- 4: Take extra care when drilling high walls, ceilings and ceramic tiles. Ensure wall plugs are inserted beyond the thickness of the ceramic tiles to avoid the tiles splitting or cracking.
- 5: Ensure wall plugs are well fitted and are a tight fit in the drilled hole.

Types of walls

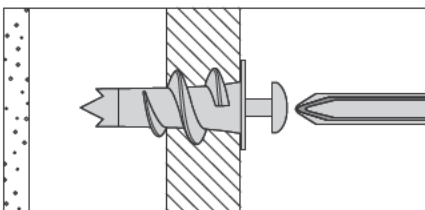
You can use one of the following types of wall plug if your walls are made of brick, breeze block, concrete, stone or wood.

No.1 "General Purpose" wall plug



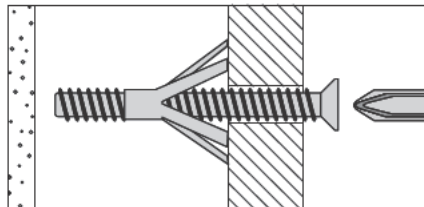
Generally aerated blocks should not be used to support heavy loads, use a specialist fitting in this case. For light loads, general purpose wall plugs can be used.

No.2 "Plasterboard" wall plug



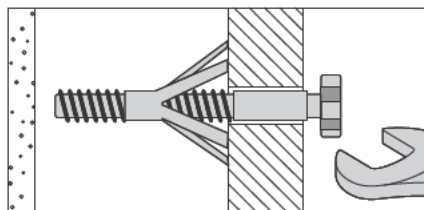
For use when attaching light loads on to plasterboard partitions.

No.3 "Cavity Fixing" wall plug



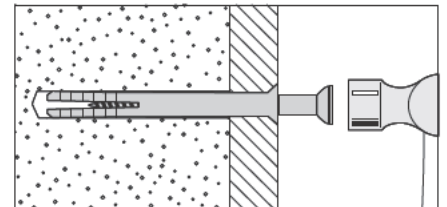
For use with plasterboard partitions or hollow wooden doors.

No.4 "Cavity Fixing-Heavy Duty" wall plug



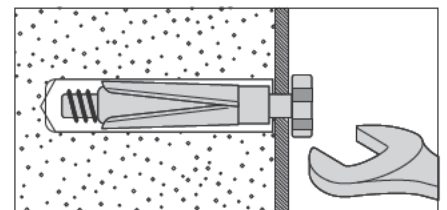
For use when fitting or supporting heavy loads such as shelving, wall cabinets and coat racks.

No.5 "Hammer Fixing" wall plug



For use with walls stuck with plasterboard. The hammer fixing allows it to be fixed to the wall rather than the plasterboard. Always check the fixing is secure to the retaining wall.

No.6 "Shield Anchor" wall plug Heavy loads



For use with heavier loads such as TV & HiFi speakers and satellite dishes etc.



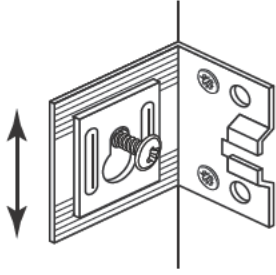
Care & Maintenance

Safety: Always check the fitting and location to ensure your safety in and around the home.

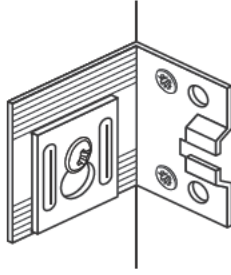
Fitting: From time to time check the fitting to ensure the wall plugs or screws do not become loose.

17

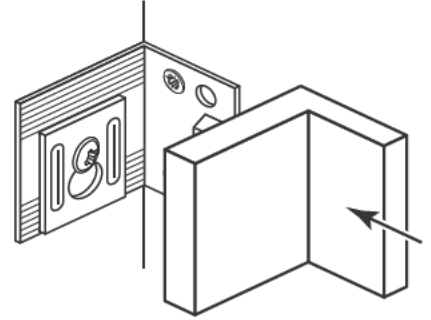
If required, follow the instructions below to alter the height of the Bedside unit.



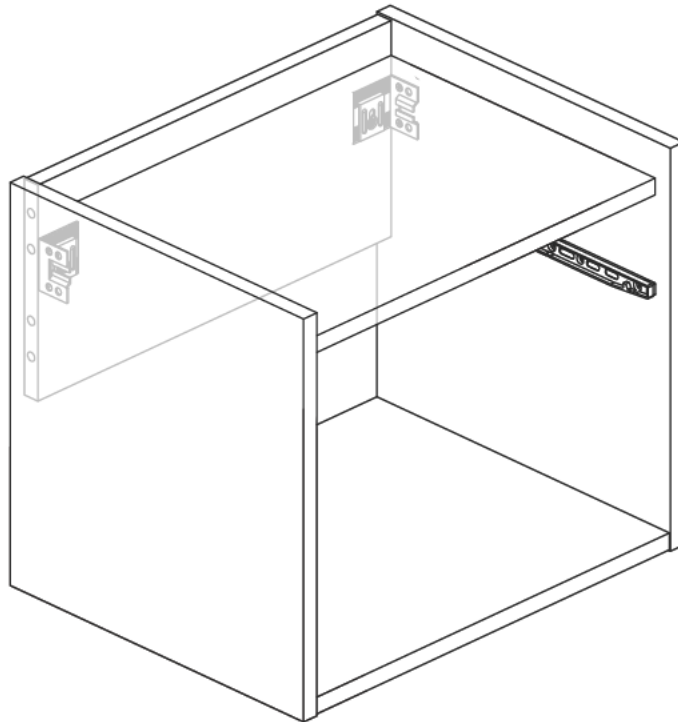
Loosen the screw in each Bracket and move the unit up or down.



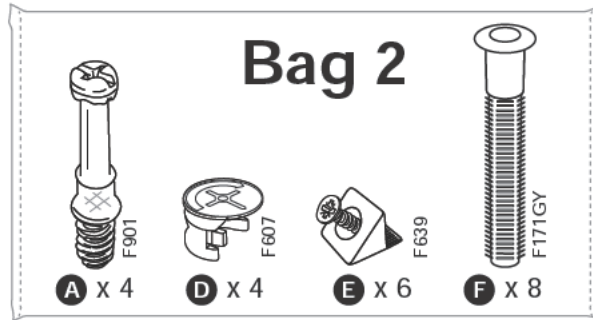
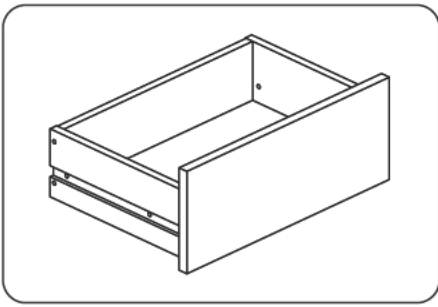
Drop the key-hole part back down over the screw and re-tighten it, making sure it locates into the grooves.



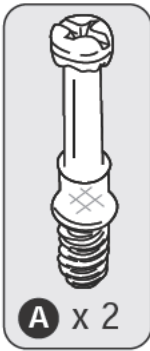
Slide the plastic cover over the bracket



Drawer Assembly

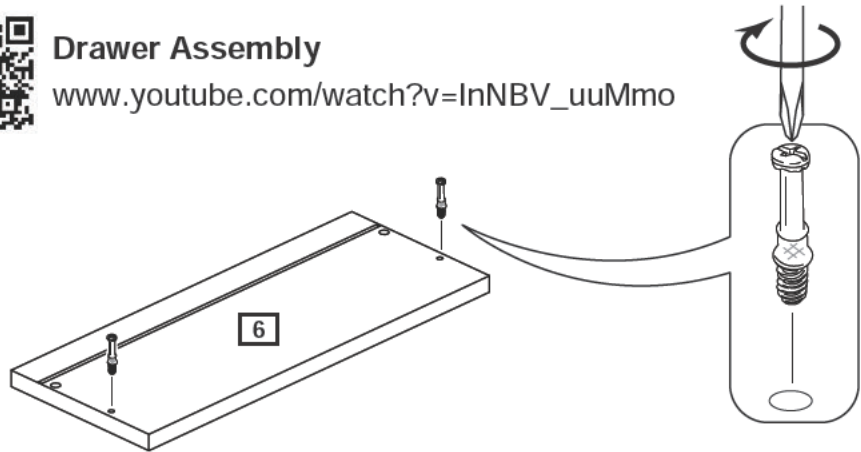


18

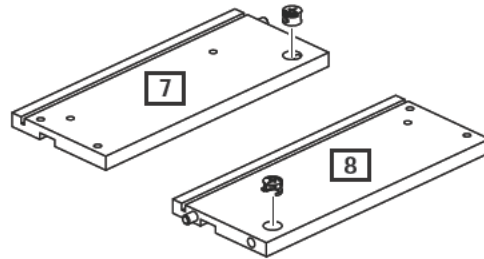
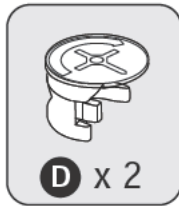


Drawer Assembly

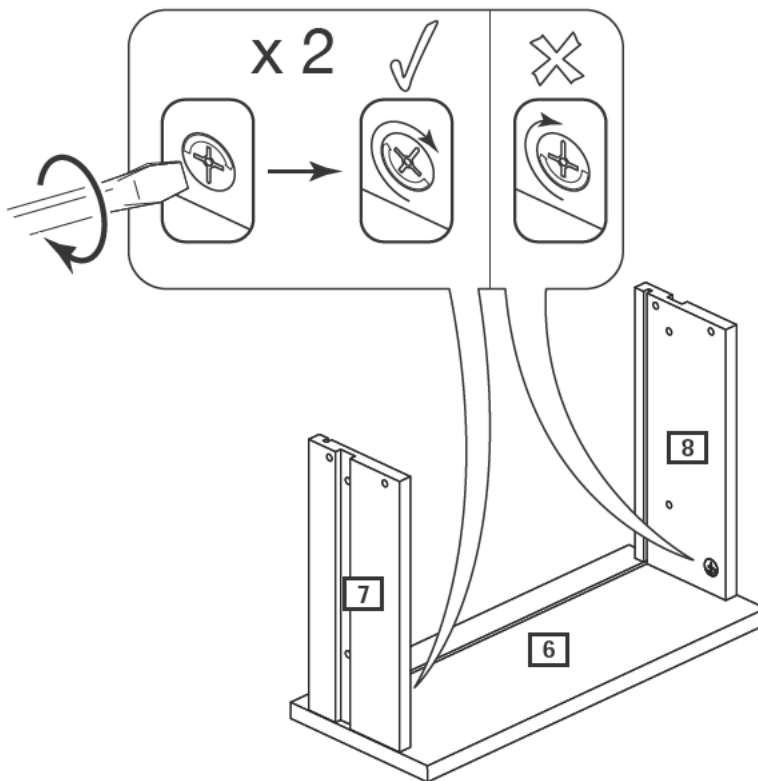
www.youtube.com/watch?v=lnNBV_uuMmo



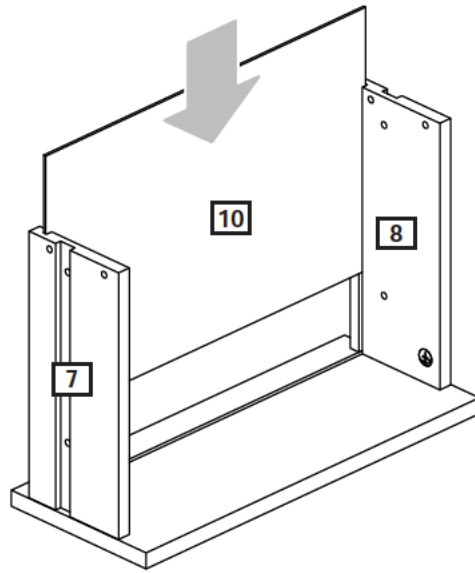
19



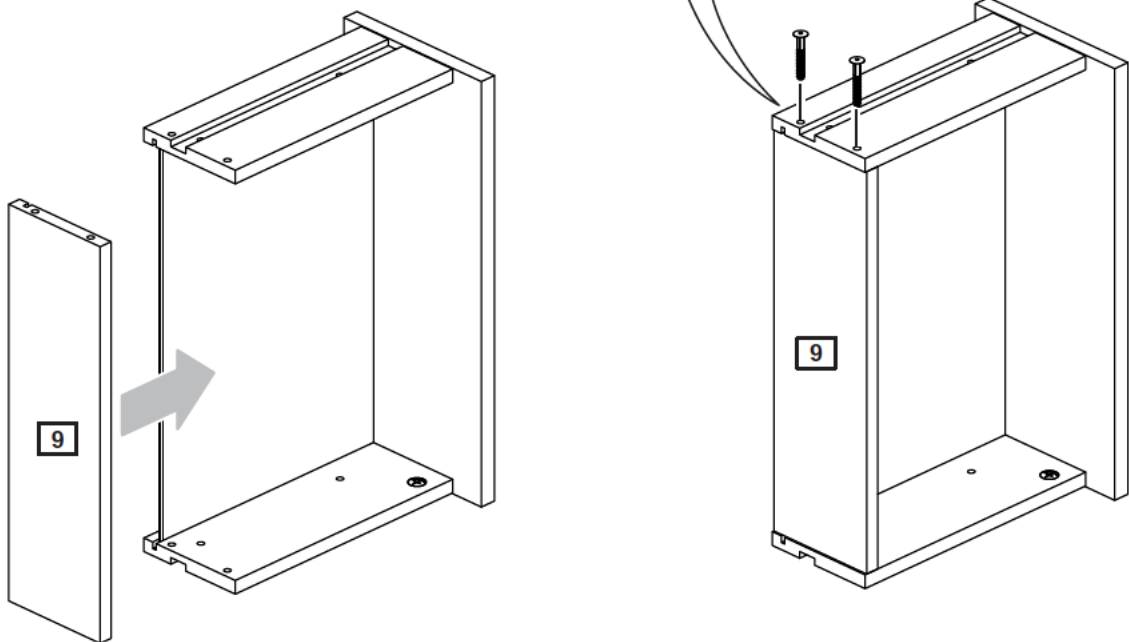
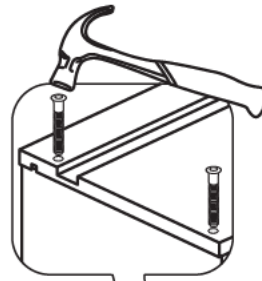
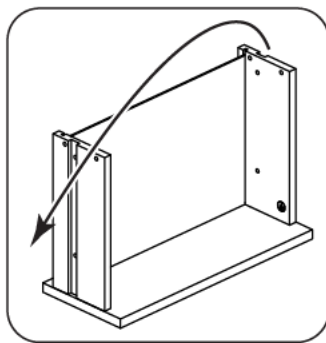
20



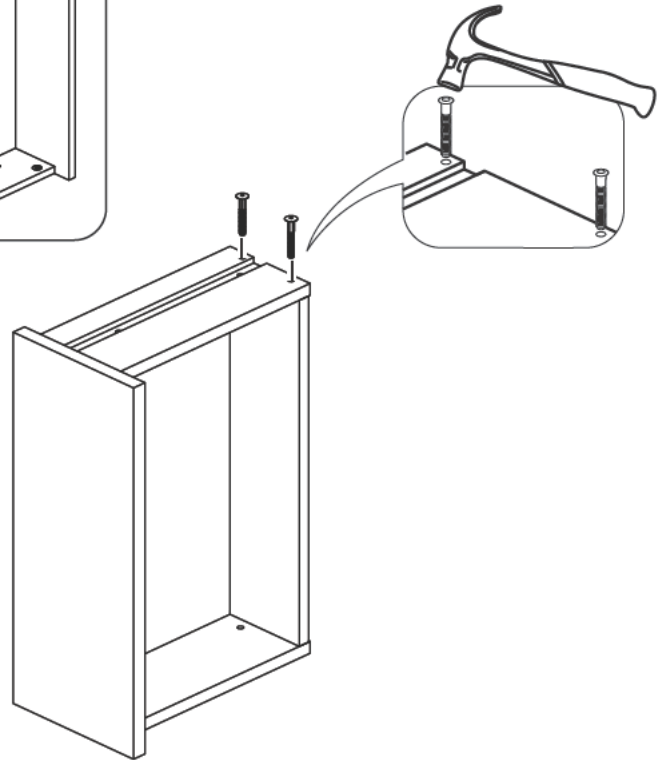
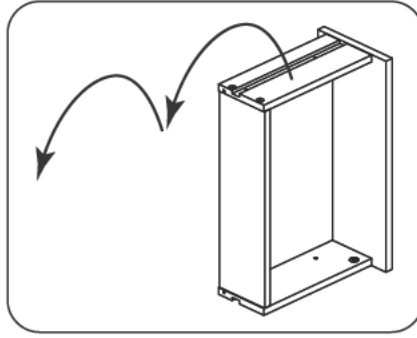
21



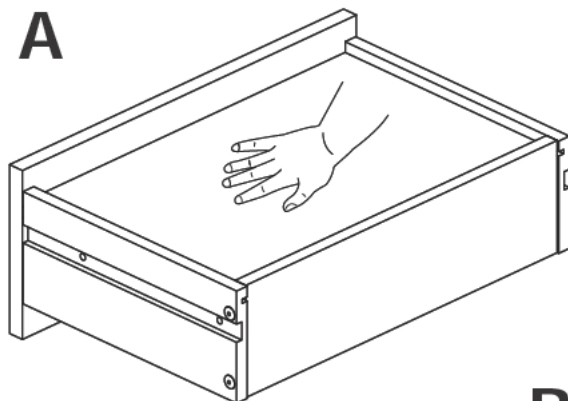
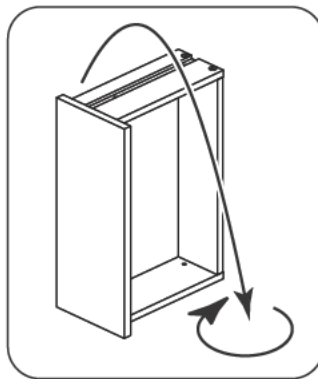
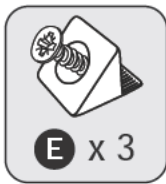
22



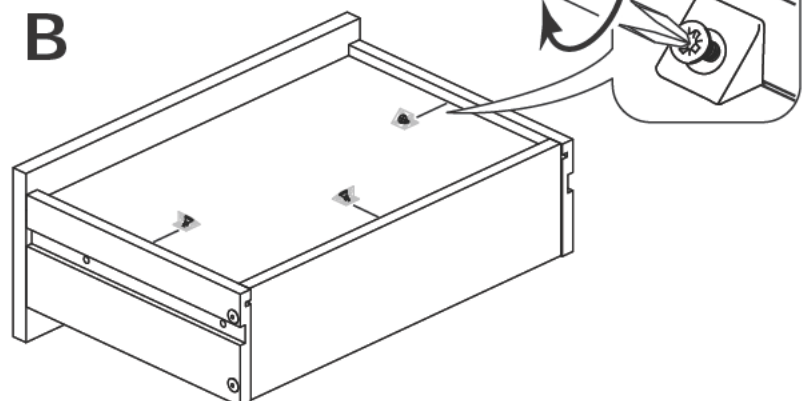
23



24



Make sure the Drawer Base panel is inserted in all 4 grooves. You may need to manoeuvre it slightly.



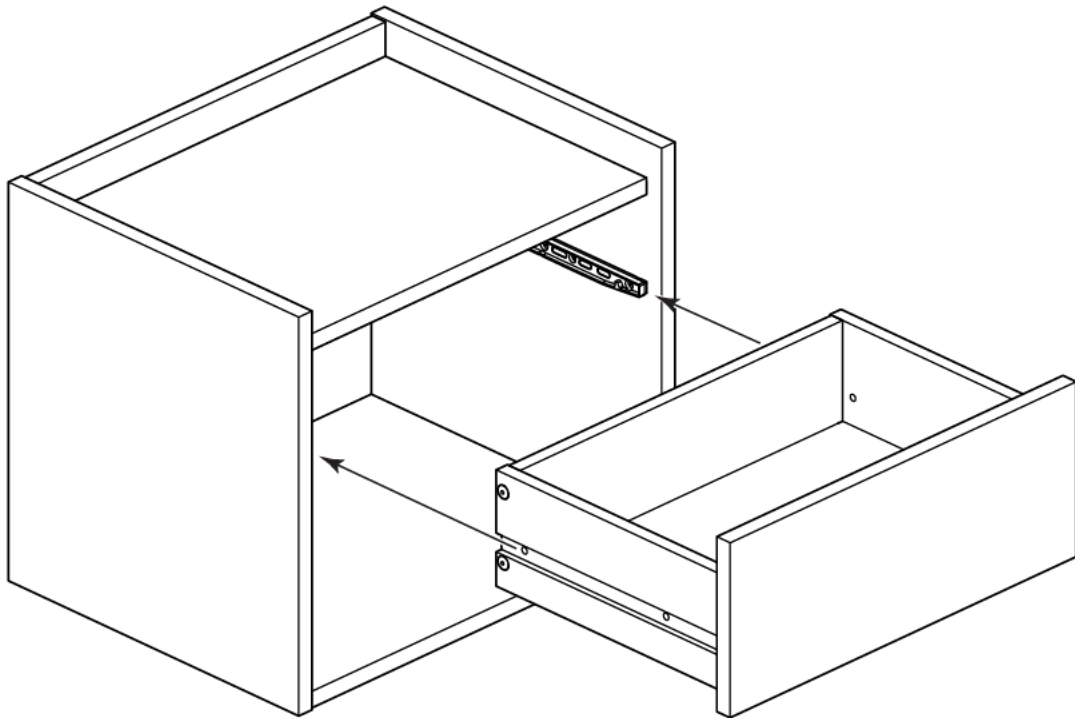
Important: Make sure that the drawer assembly is square before fitting the wedgefixes.

25

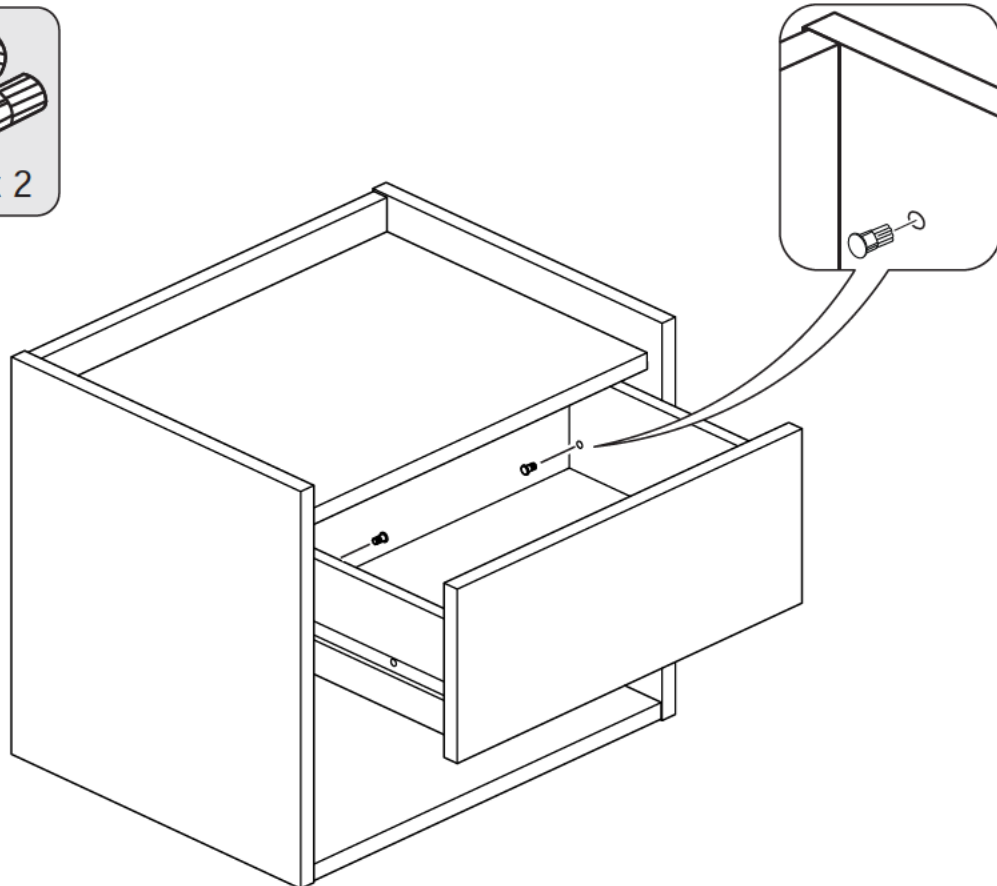
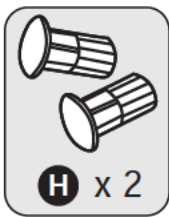


Fitting Plastic Runners

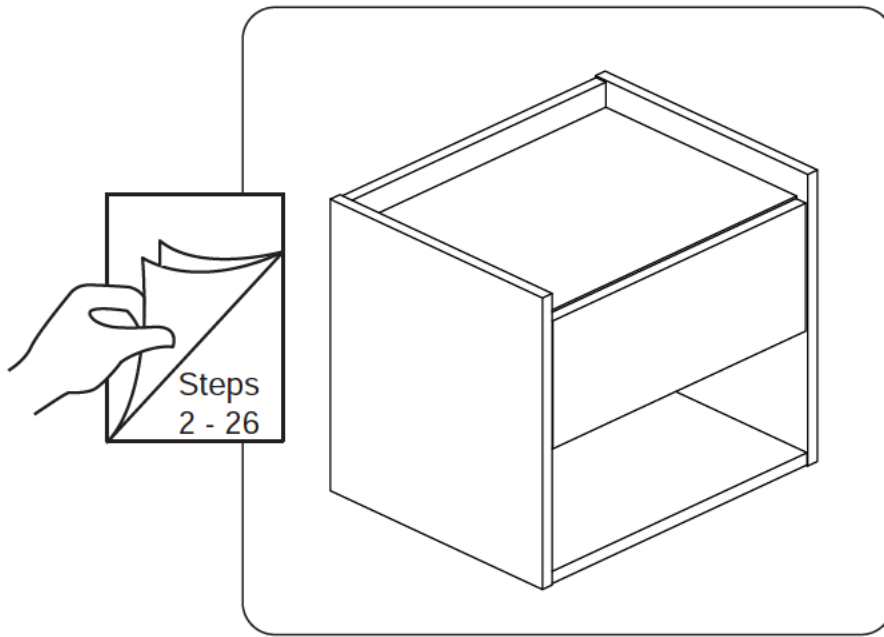
www.youtube.com/watch?v=UASzY5gcb0Y



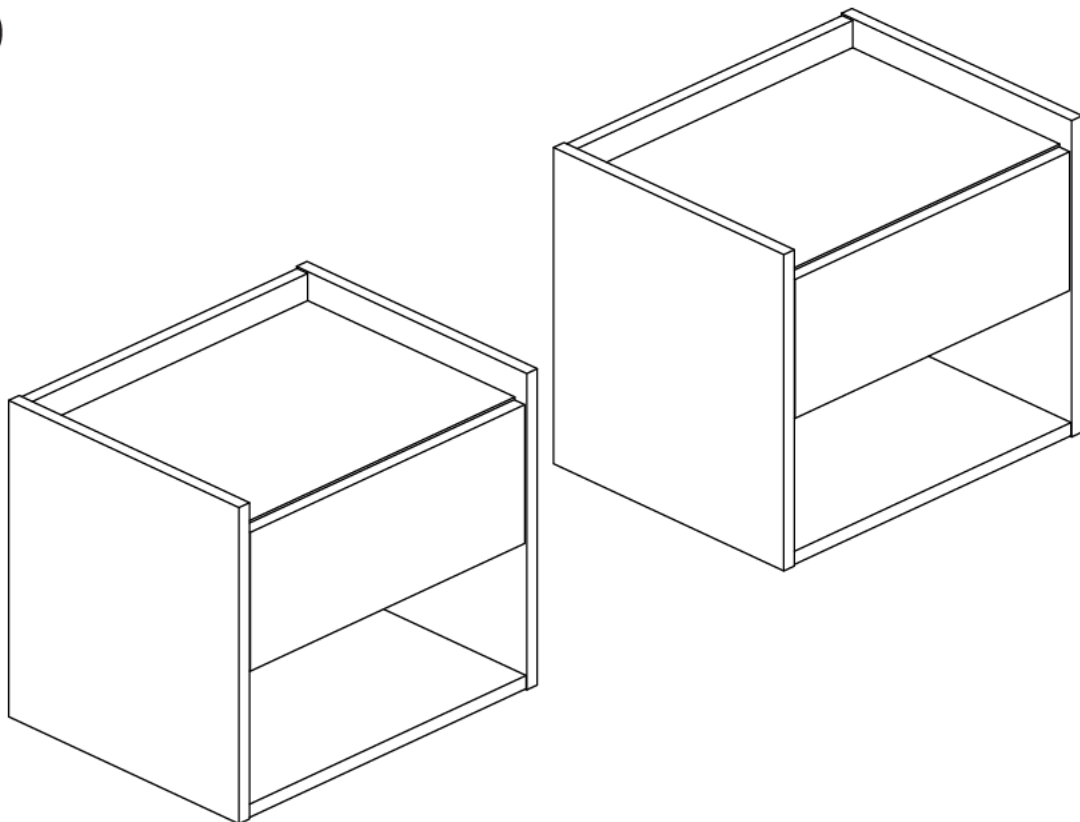
26



27 Using the panels and fitting that were set aside in Step 1, repeat Step 2 - 26 to assemble the other bedside



28



Assembly is complete