



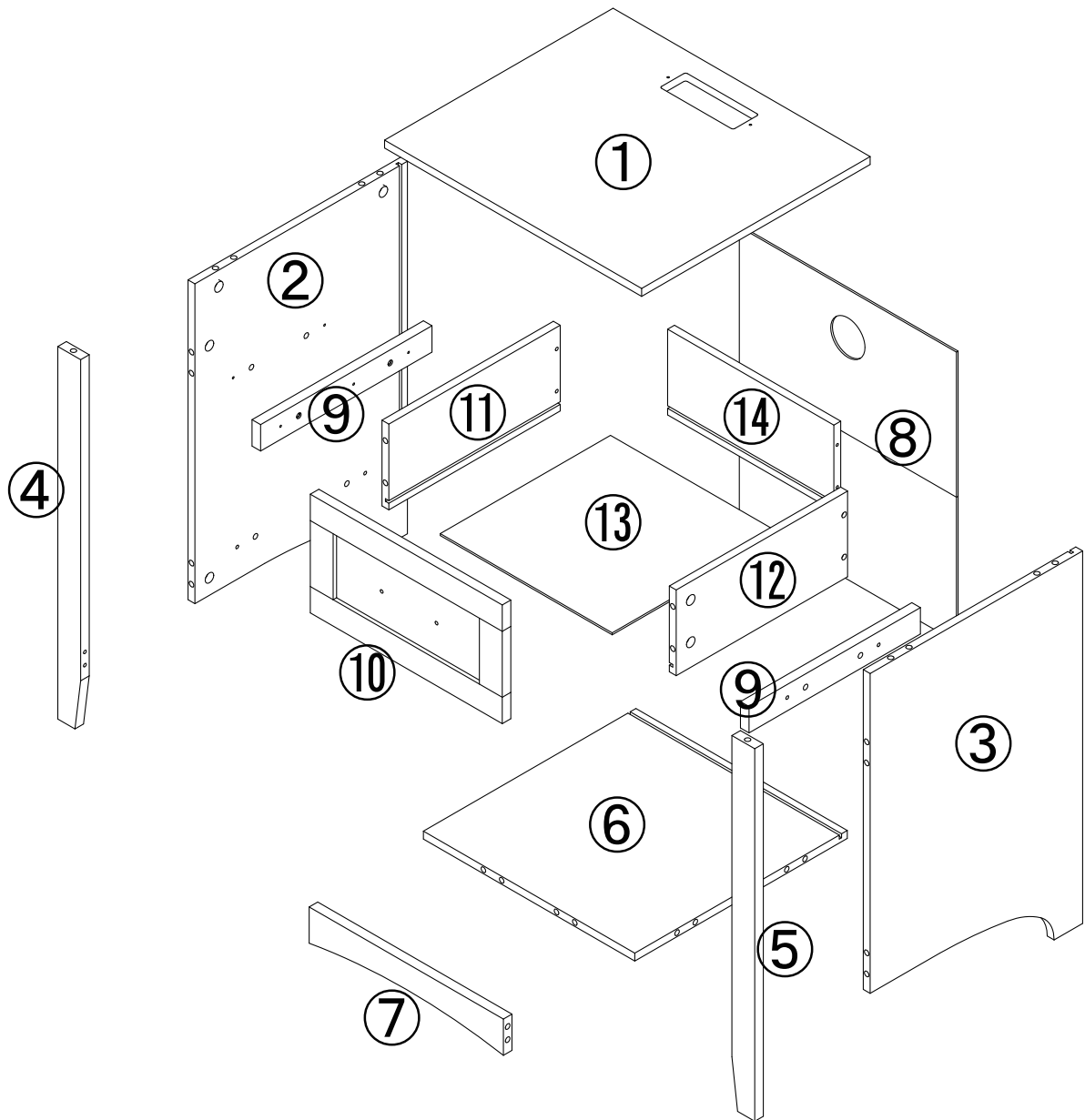
BESIDE TABLE

USER MANUAL

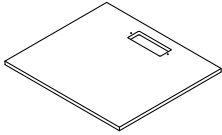
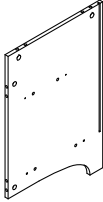
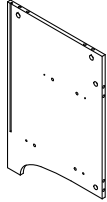


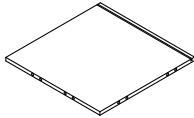

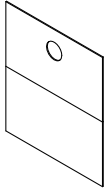
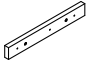
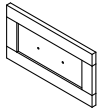
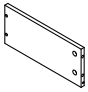
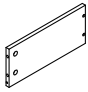
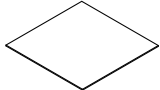
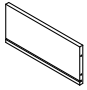
MODEL: SKUL12413 (1pc) / SKUL12414 (2pcs)

1

ASSEMBLY INSTRUCTIONS




PACKAGING LIST


 ①x1	 ②x1	 ③x1	 ④x1
 ⑤x1	 ⑥x1	 ⑦x1	 ⑧x1
 ⑨x2	 ⑩x1	 ⑪x1	 ⑫x1
 ⑬x1	 ⑭x1		

3


PACKAGING LIST




(A) 22+2x




(B) 22+2x



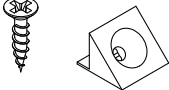
(C) 16+1x
Ø8*30




(D) 4+1x




(E) 4x



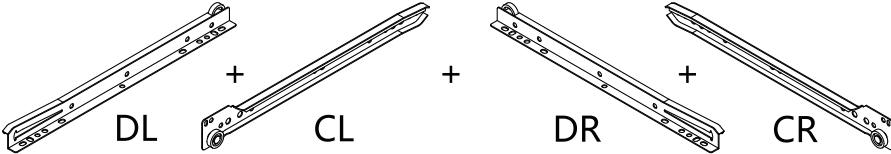
(F) 4+1x



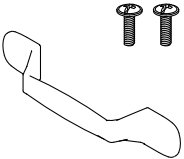
(G) 1x




(H) 14+1x
M3.5*12




(I) 1x



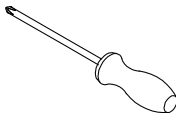
(J) 1x



(K) 4+1x
Ø8*20



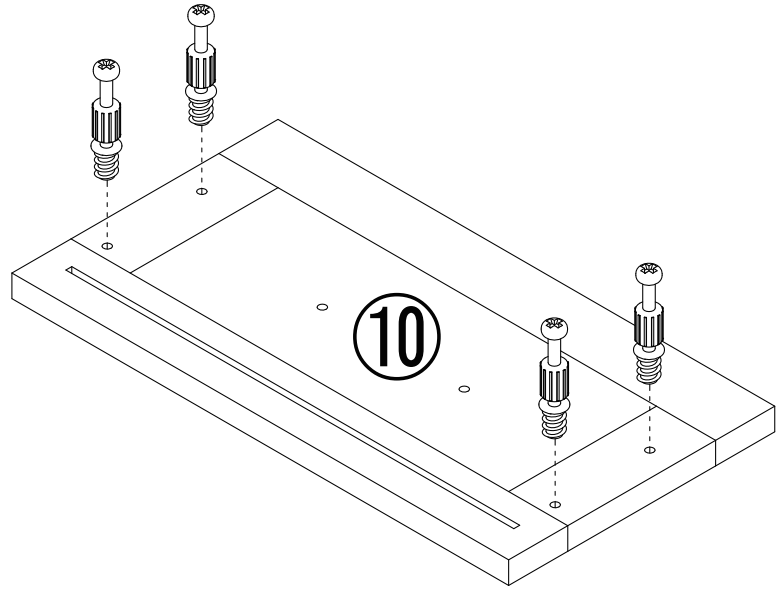
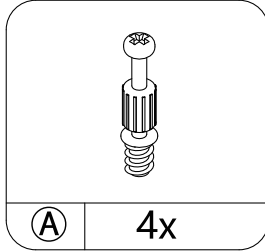
(L) 4+1x
M3.5*25



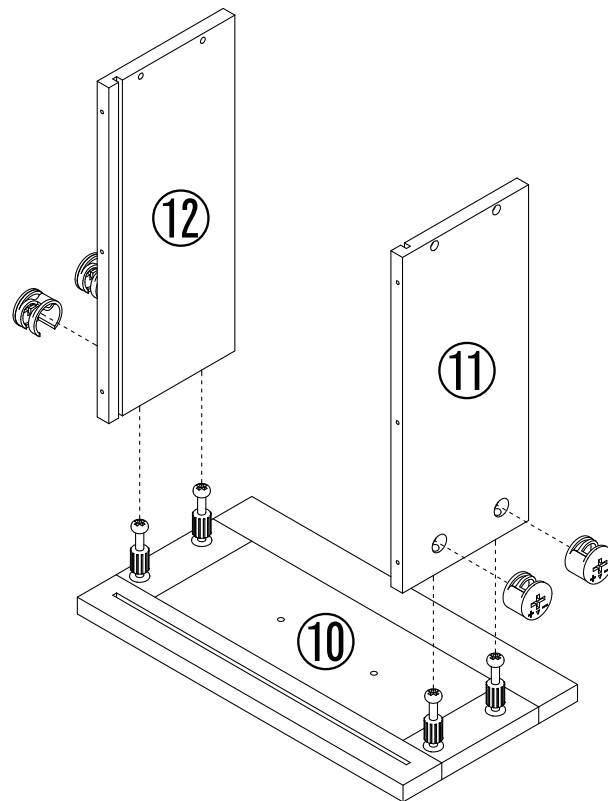
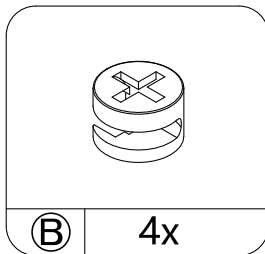
(M) 1x

4

STEP 1

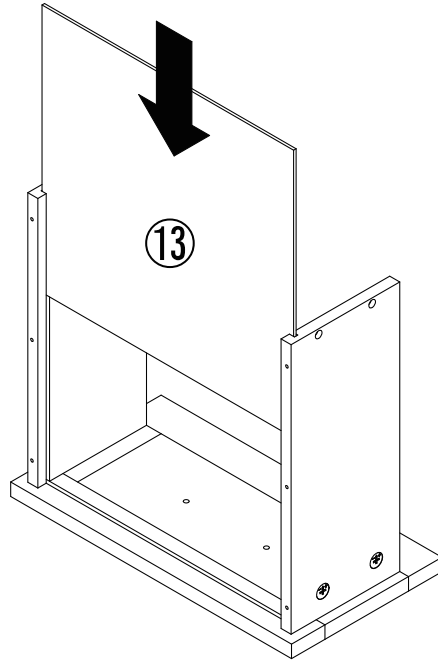


STEP 2

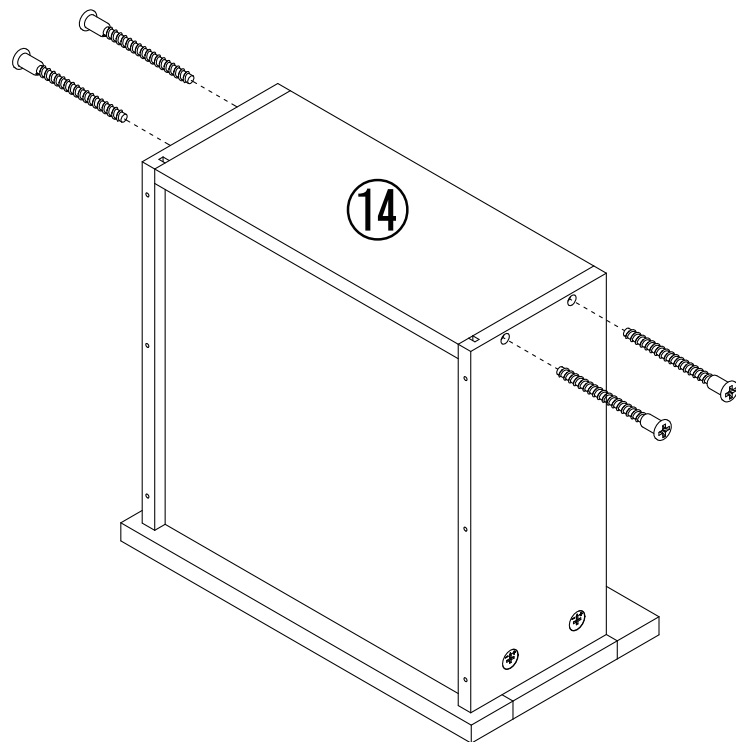
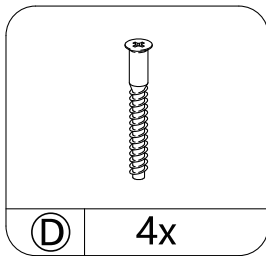


5

STEP 3

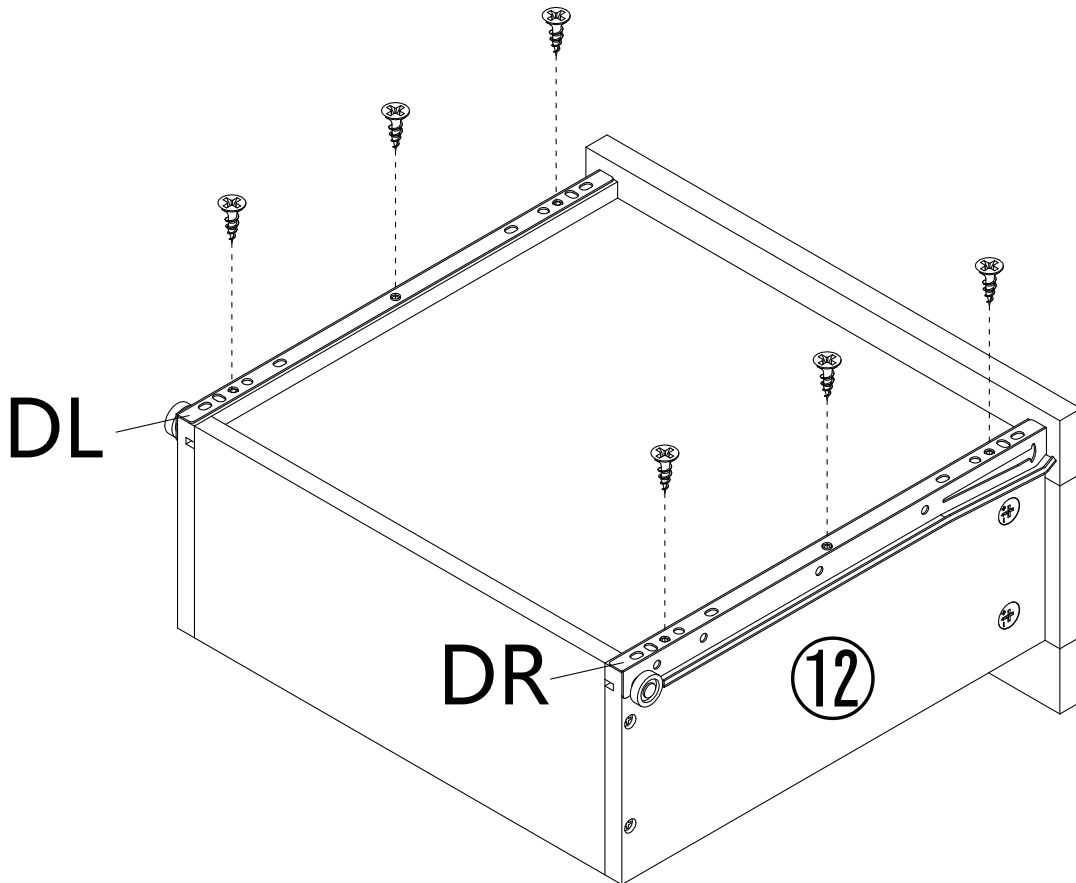
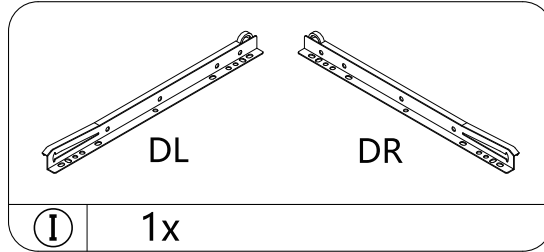
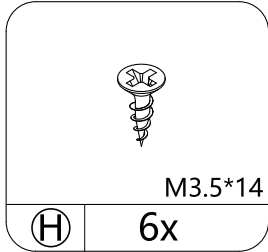


STEP 4



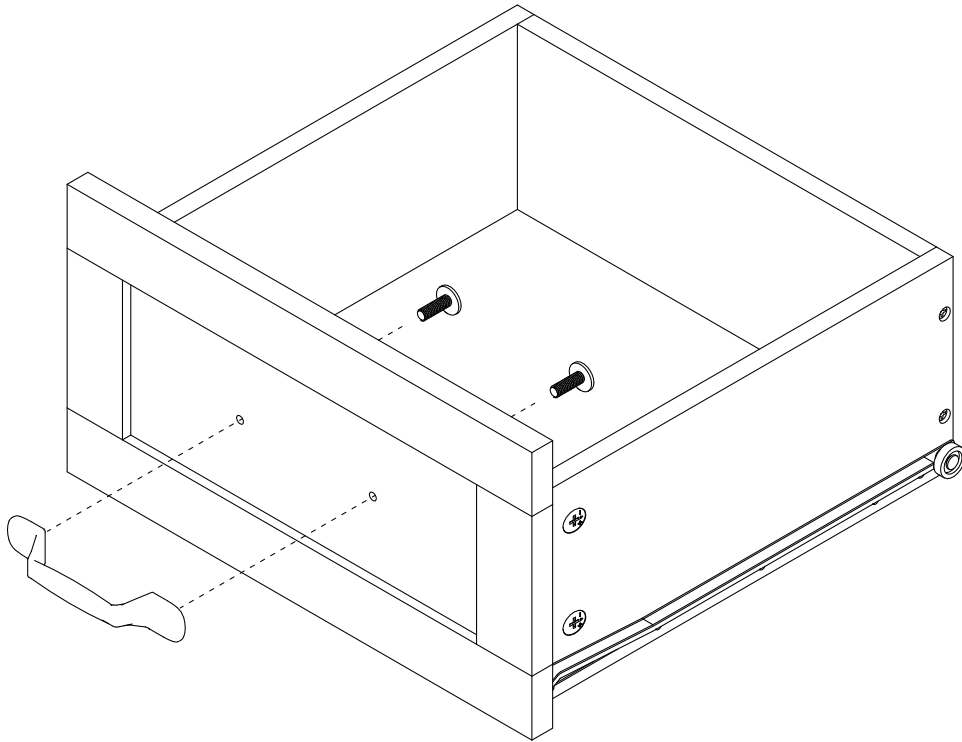
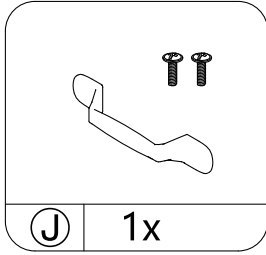
6

STEP 5

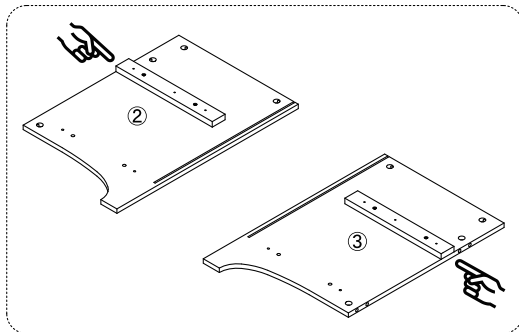
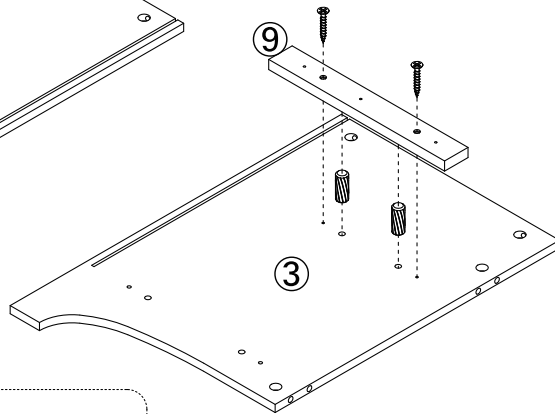
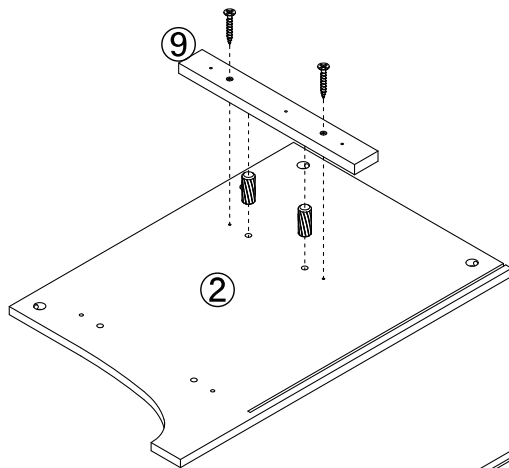
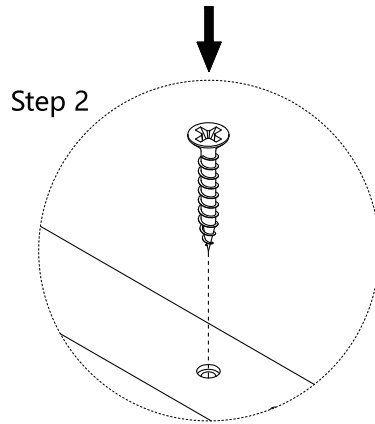
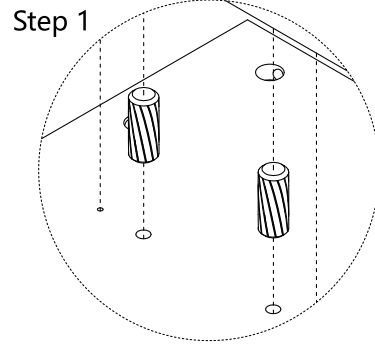
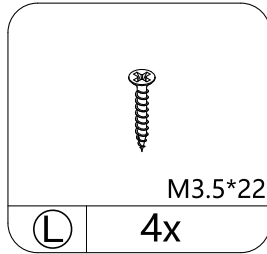
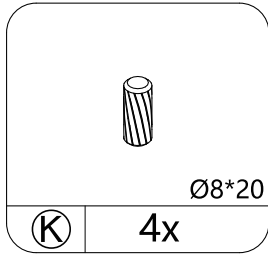


7

STEP 6

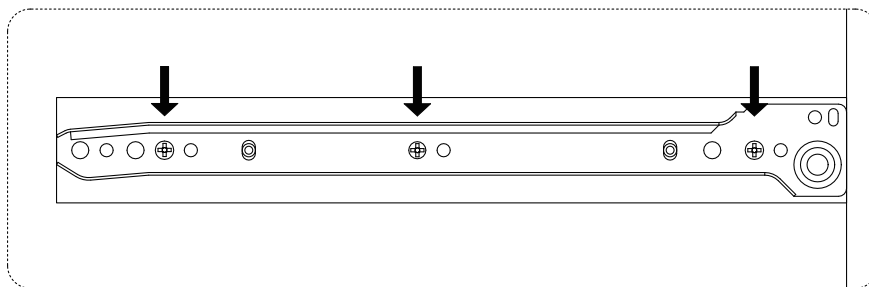
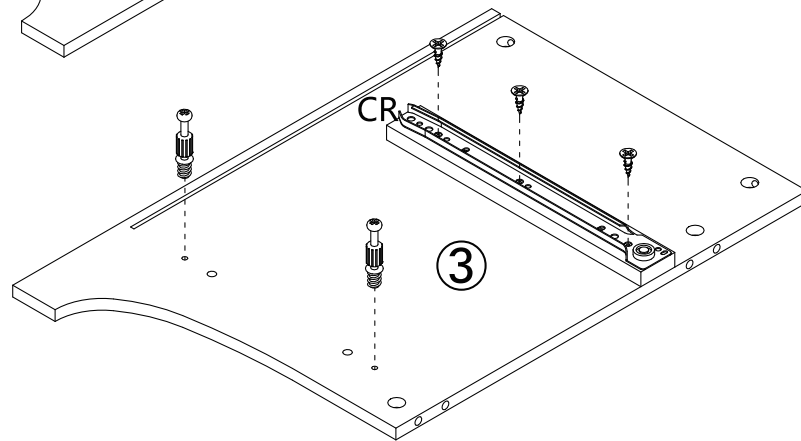
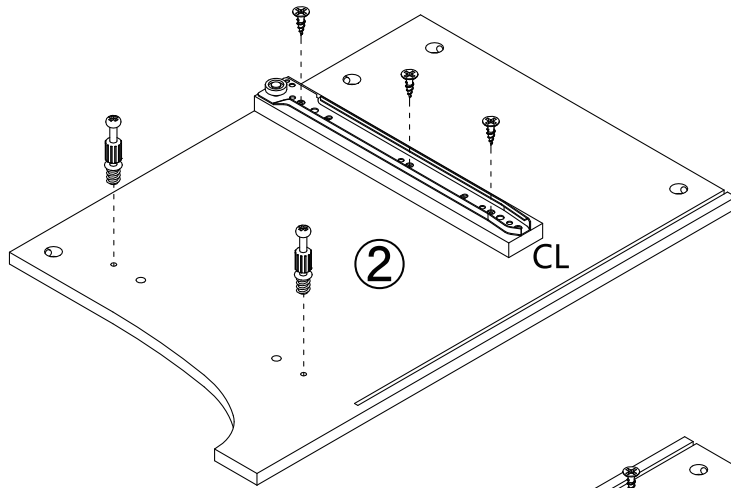
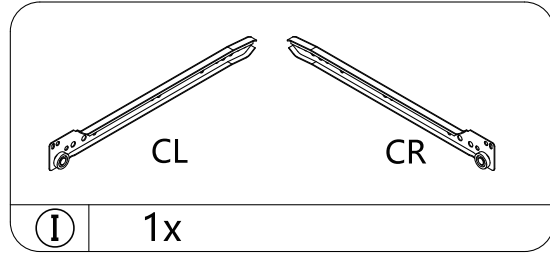
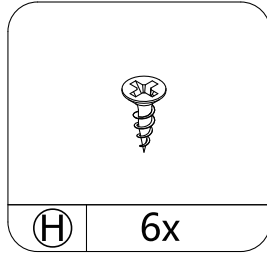
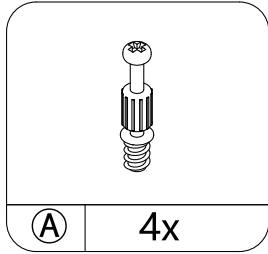


STEP 7

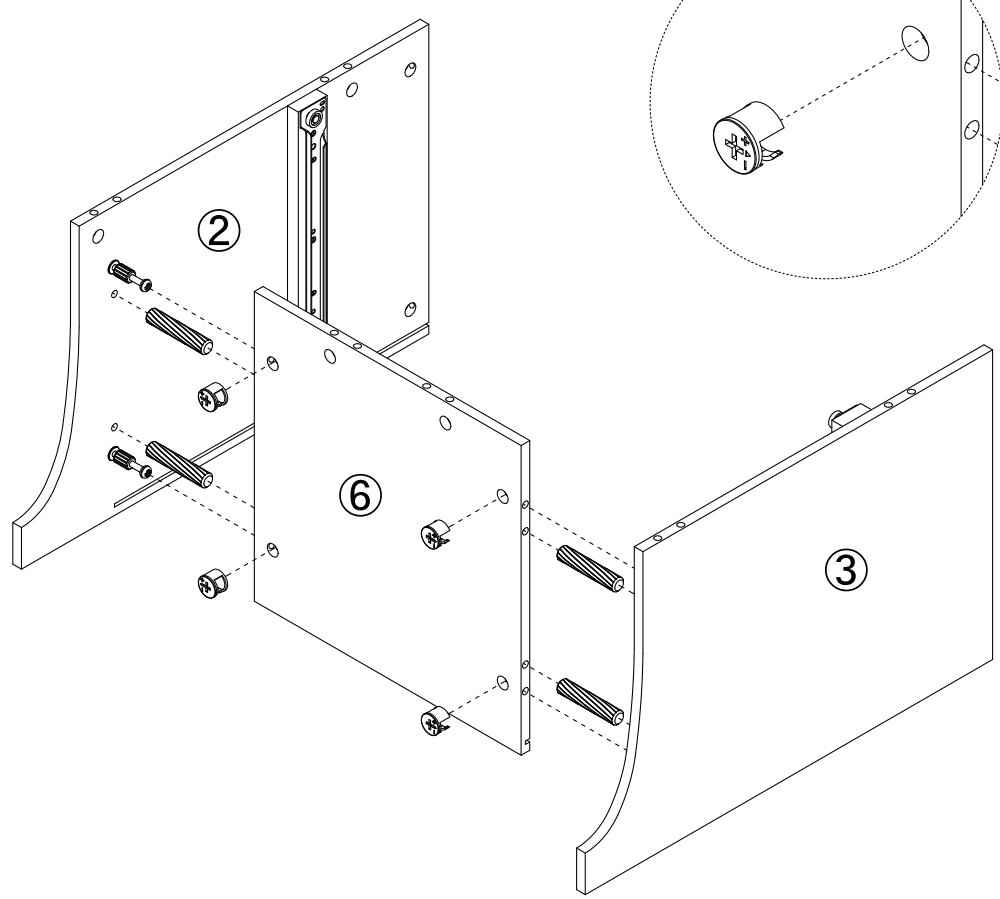
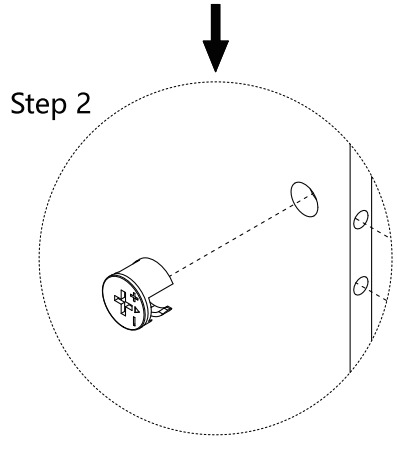
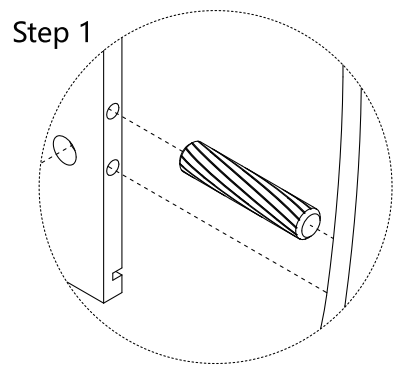
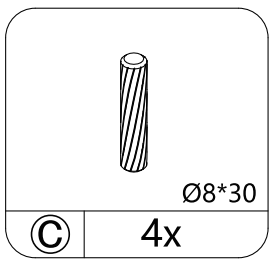
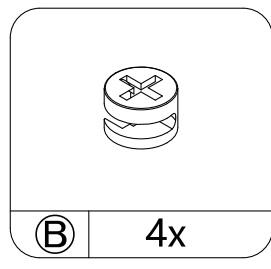


9

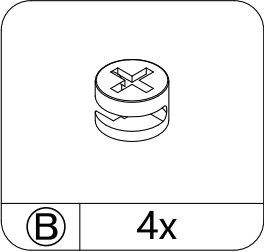
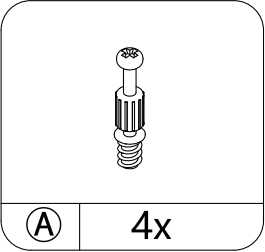
STEP 8



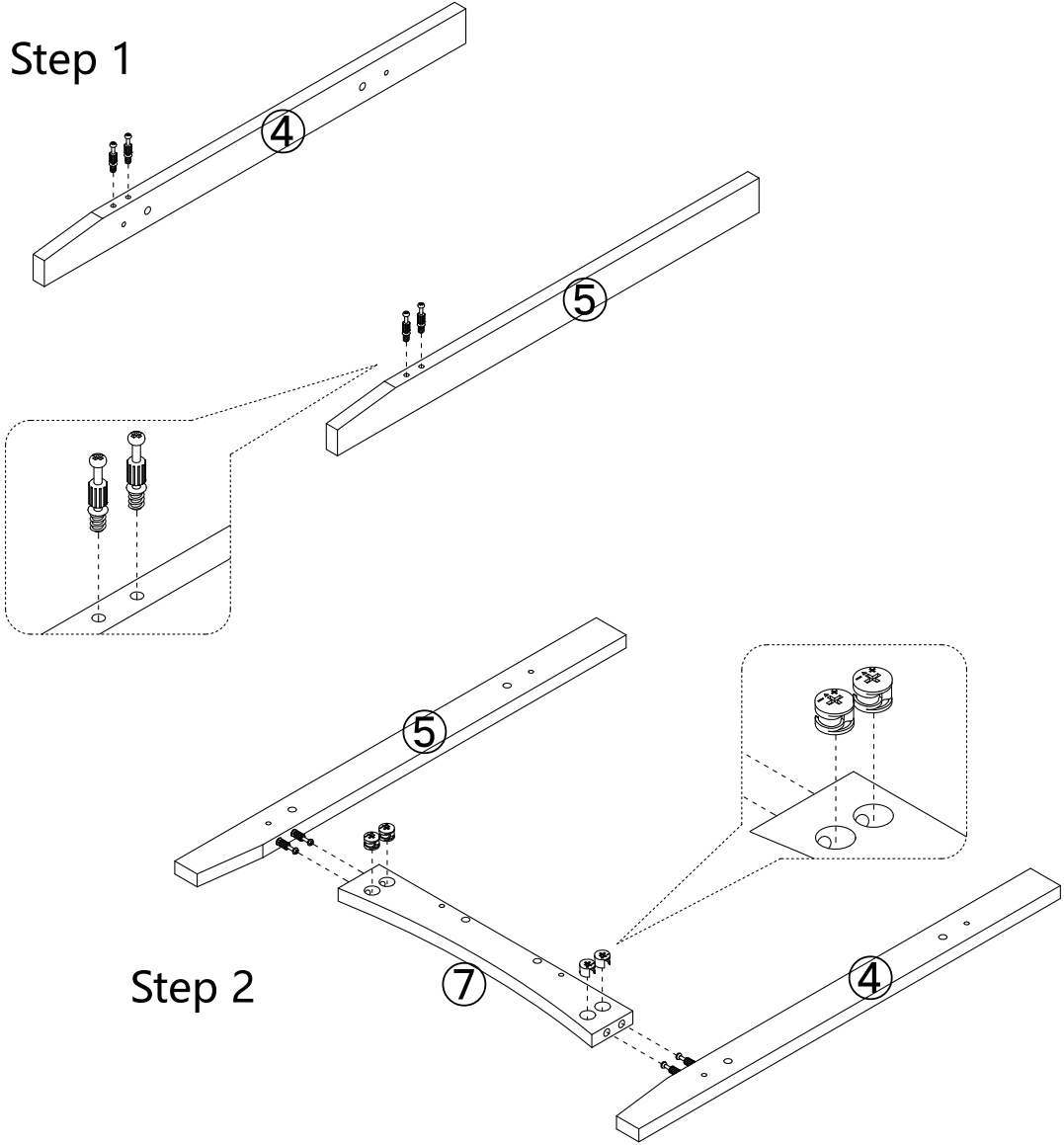
STEP 9



STEP 10



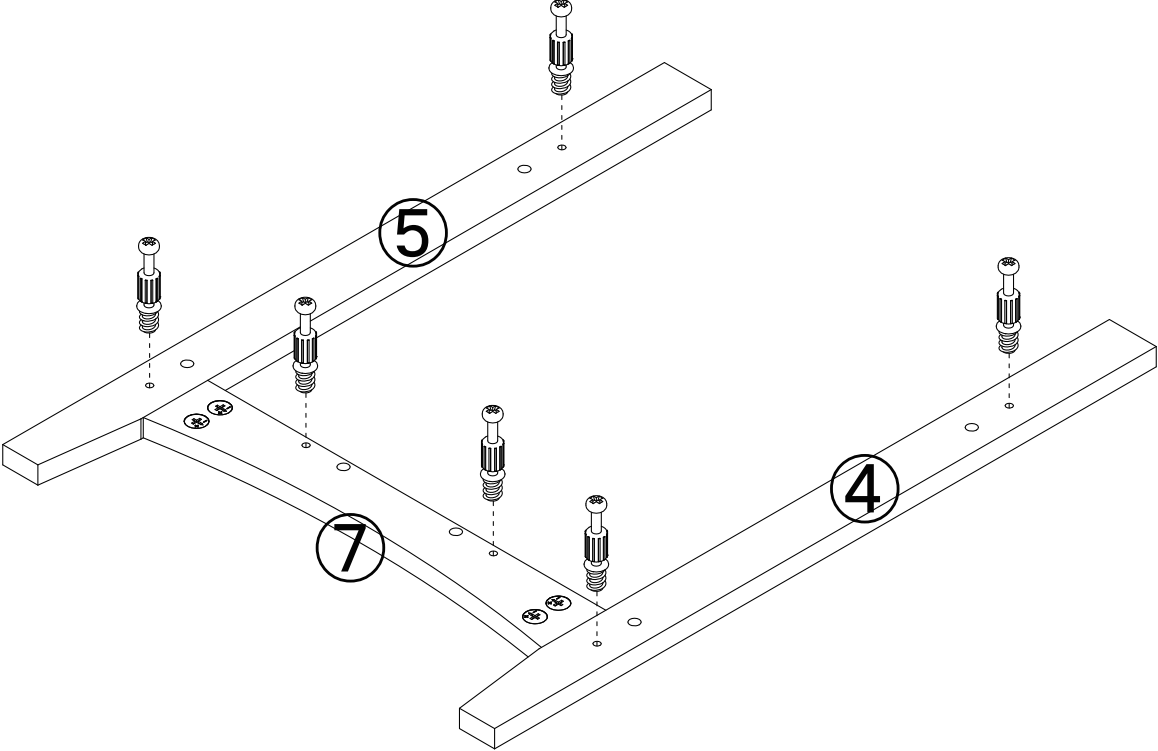
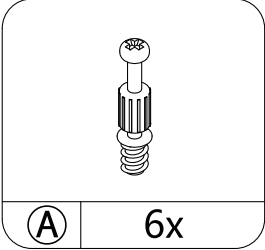
Step 1



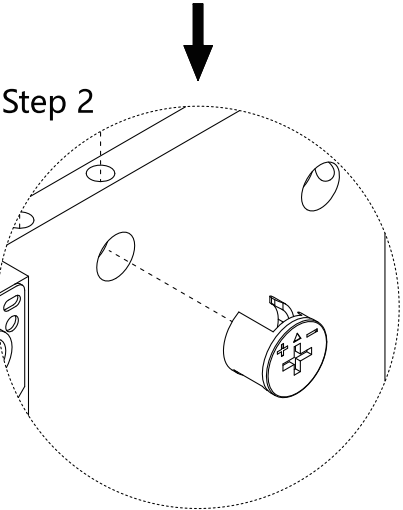
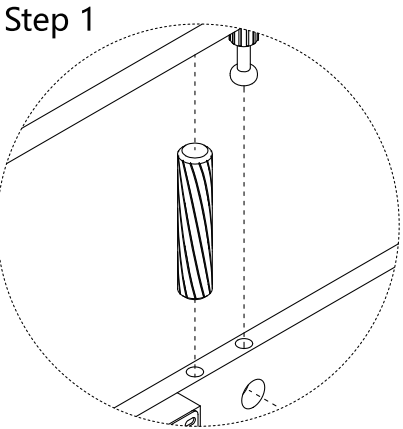
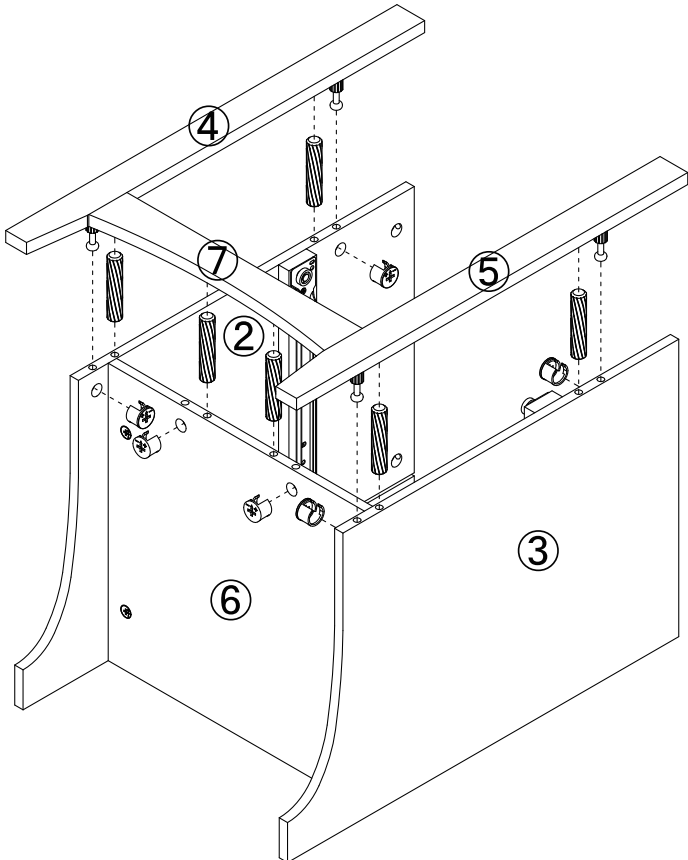
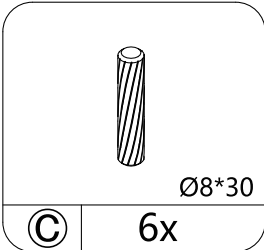
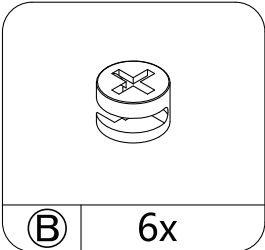
Step 2

12

STEP 11

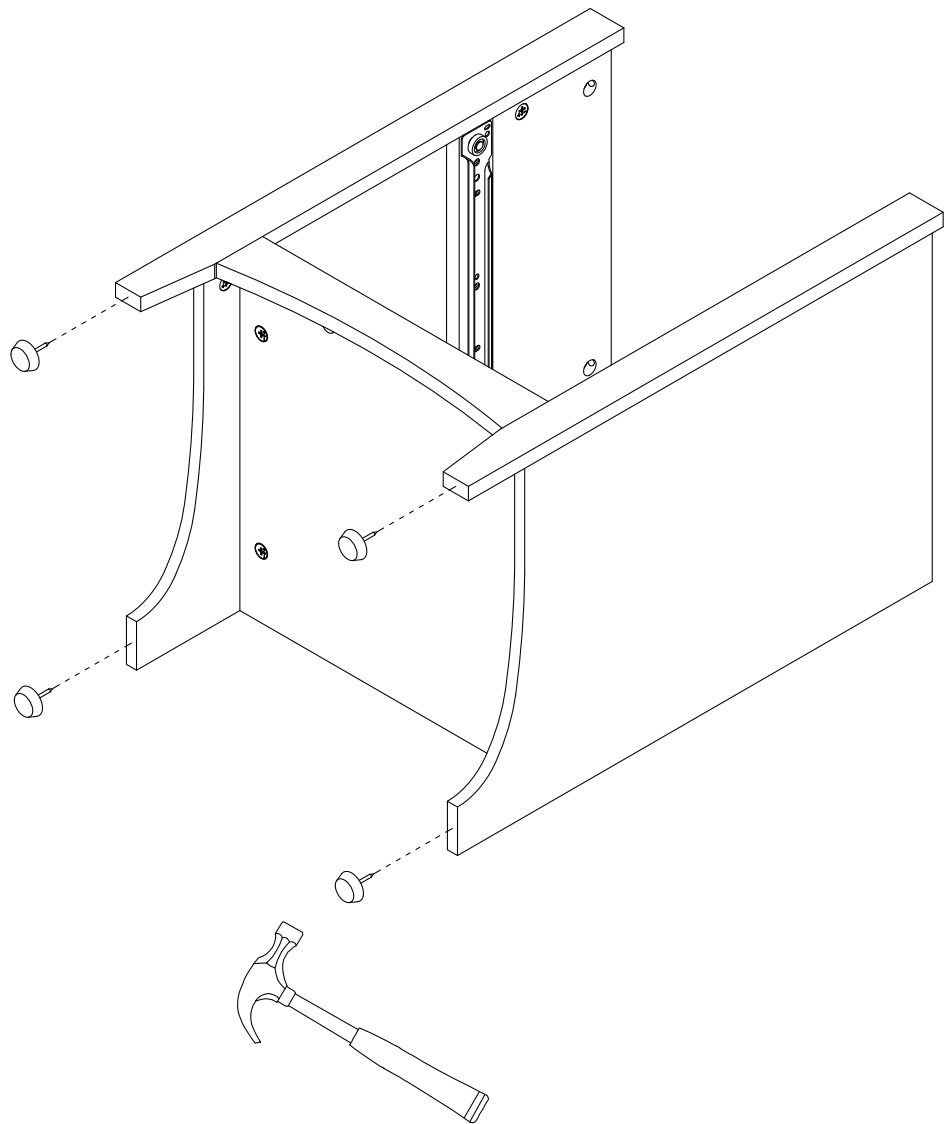
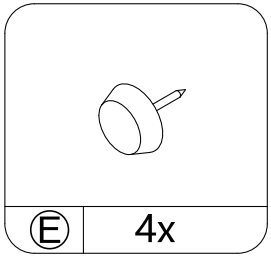


STEP 12



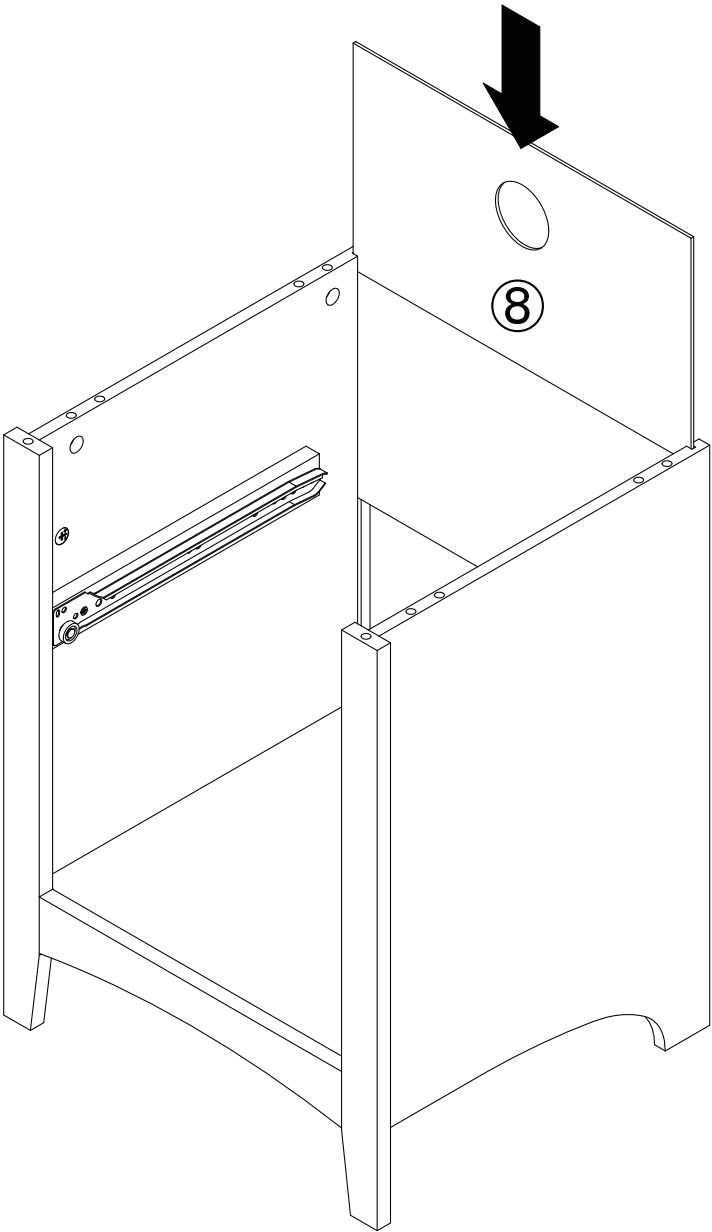
14

STEP 13



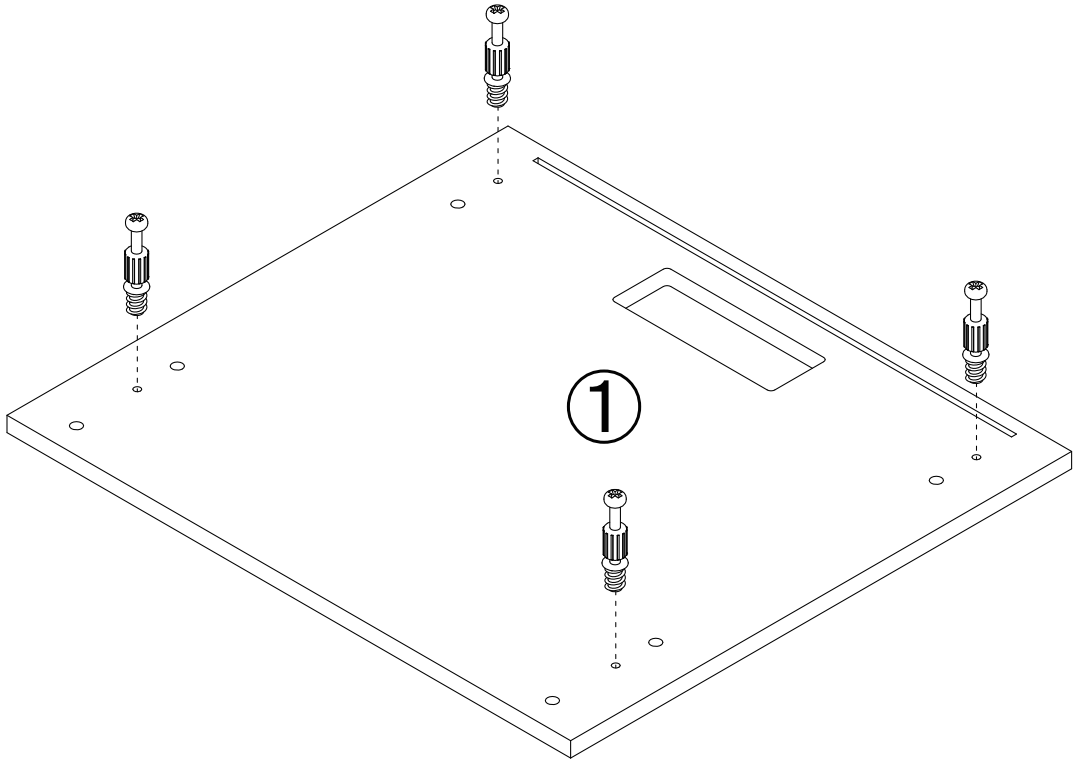
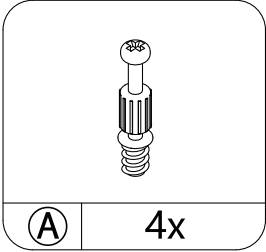
15

STEP 14

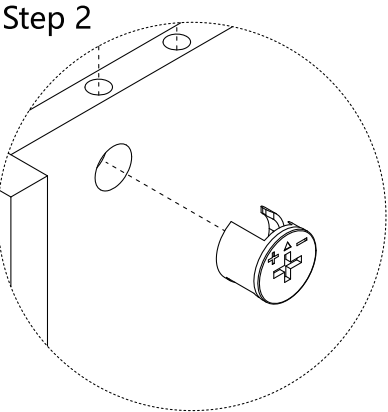
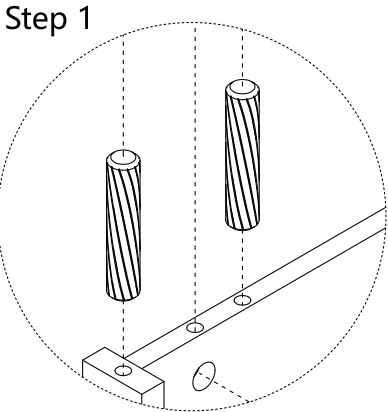
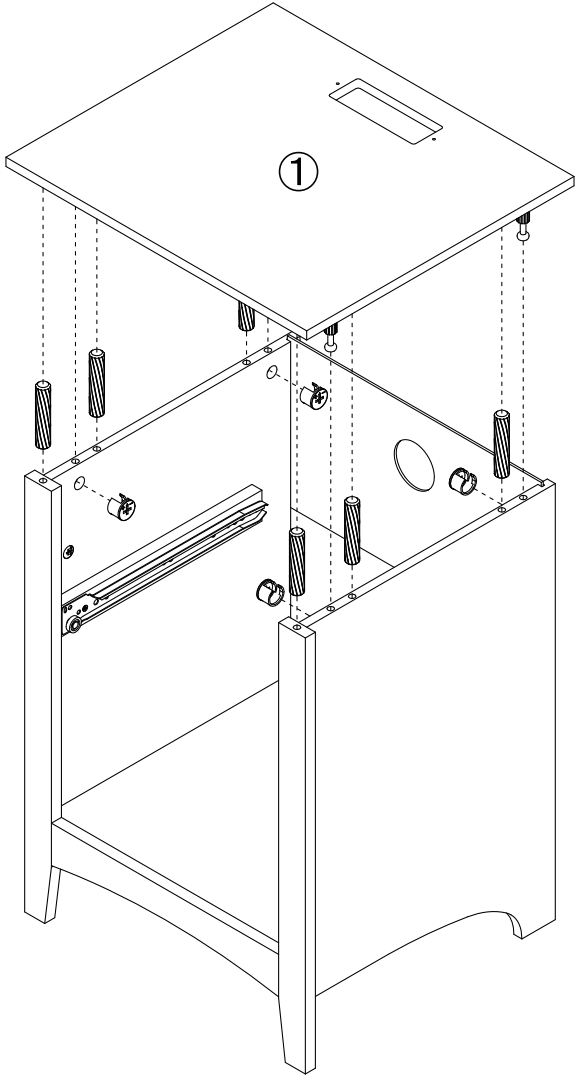
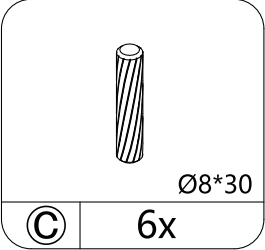
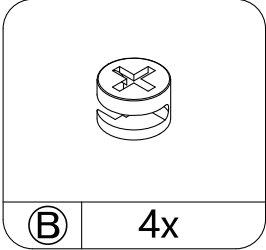


16

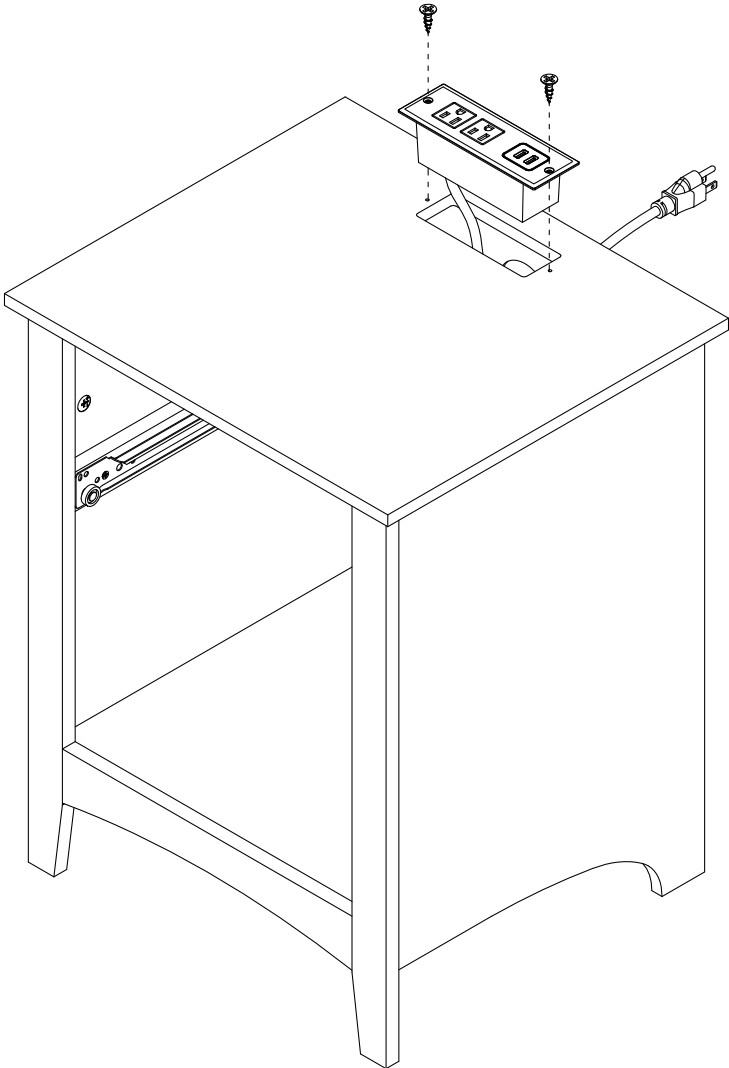
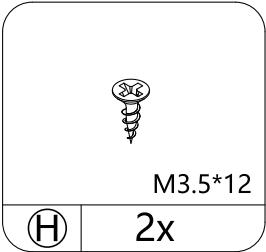
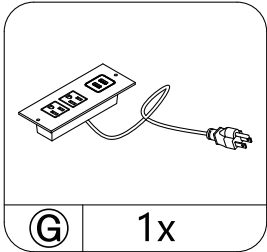
STEP 15



STEP 16

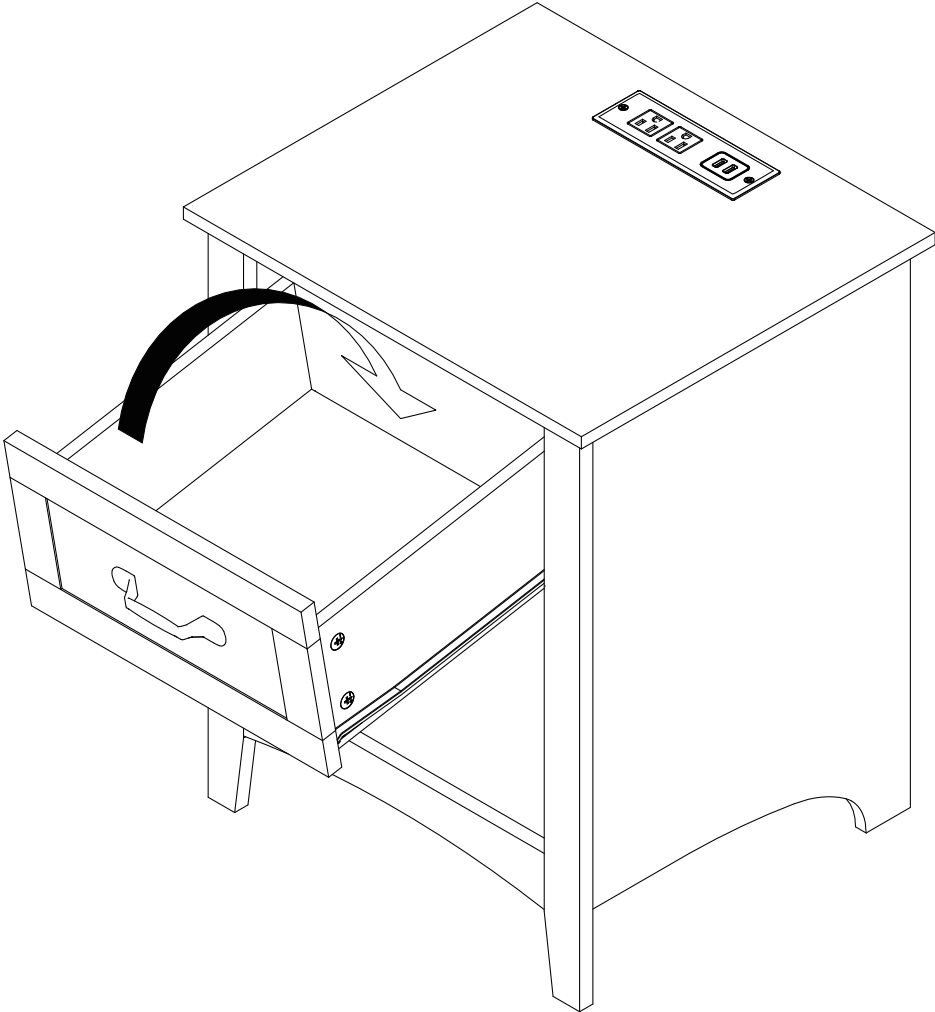


STEP 17



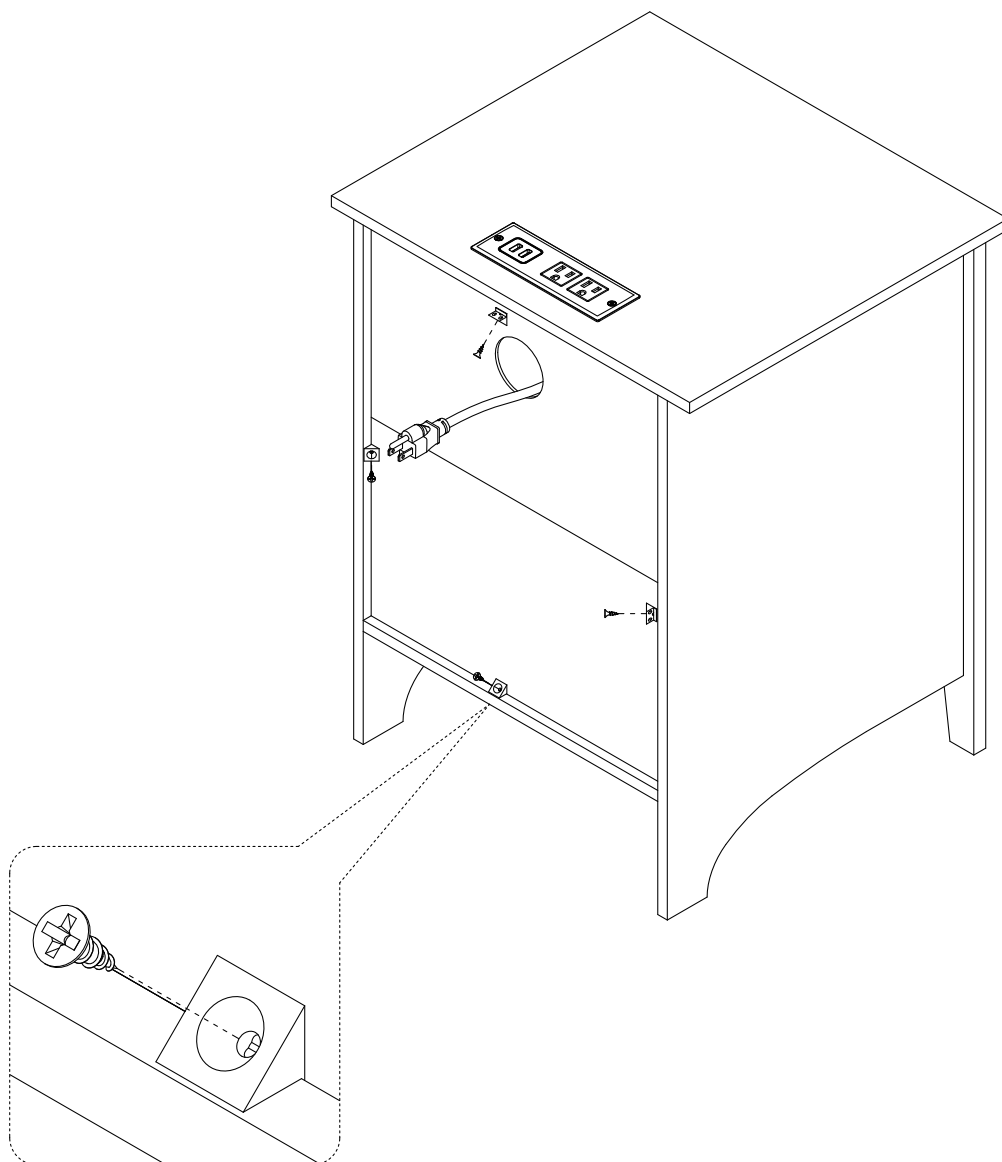
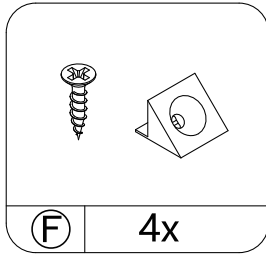
19

STEP 18



20

STEP 19



FCC Regulatory Compliance

This device complies with part 15 of the FCC Rules. Operation is subject to the following two conditions:

(1) This device may not cause harmful interference, and (2) this device must accept any interference received, including interference that may cause undesired operation.

Warning: Changes or modifications not expressly approved by the party responsible for compliance could void the user's authority to operate the equipment.

Note: This equipment has been tested and found to comply with the limits for a Class B digital device, pursuant to Part 15 of the FCC Rules.

These limits are designed to provide reasonable protection against harmful interference in a residential installation. This equipment generates, uses and can radiate radio frequency energy and, if not installed and used in accordance with the instructions, may cause harmful interference to radio communications. However, there is no guarantee that interference will not occur in a particular installation.

If this equipment does cause harmful interference to radio or television reception, which can be determined by turning the equipment off and on, the user is encouraged to try to correct the interference by one or more of the following measures:

- Reorient or relocate the receiving antenna.
- Increase the separation between the equipment and receiver.
- Connect the equipment into an outlet on a circuit different from that to which the receiver is connected.
- Consult the dealer or an experienced radio/TV technician for help.

Made in China