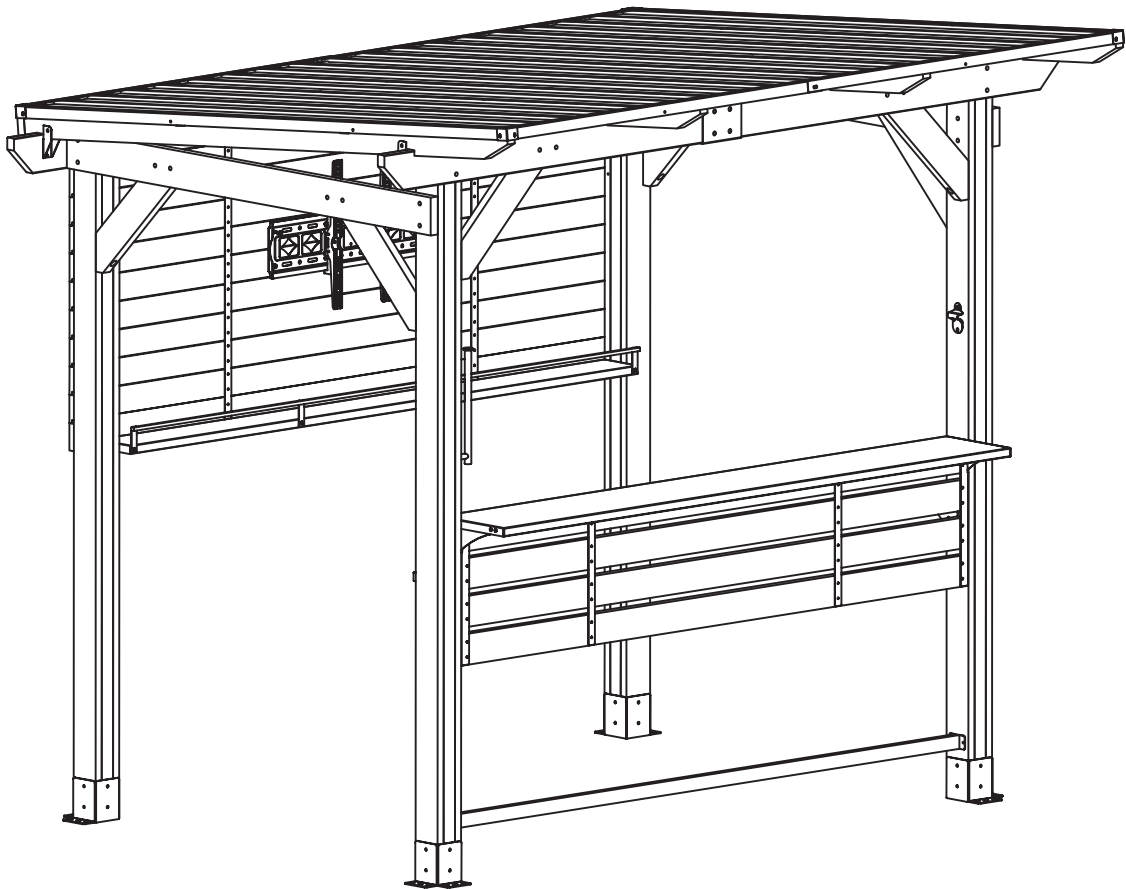


# ASSEMBLY INSTRUCTION

6FT x 8FT WOOD GAZEBO

MODEL : WD0608QM260239P



- ▶ Please read all instructions carefully.
- ▶ Check against the parts list to make sure all parts are received.
- ▶ Retain all small parts and the original packaging materials until assembly is fully and successfully completed.
- ▶ Wear proper safety goggles or other protective gears while in assembly.
- ▶ Missing parts or questions on assembly?
- ▶ Please email: [aftersales.group.sam@gmail.com](mailto:aftersales.group.sam@gmail.com)

## Important Safety Instructions



### **WARNING**

- ▶ To reduce the risk of serious injury, read the following safety instructions before assembling and using the gazebo.
- ▶ Please check with your local governing authority/local municipal codes regarding installation of structures before assembly.



### **Caution**

- ▶ Proper placement of your gazebo is essential.
- ▶ Do not place the product underneath electrical lines.
- ▶ Keep children away during assembly.
- ▶ This product contains small parts which can be swallowed by children.
- ▶ Keep fingers away from the places where they can be pinched or trapped.
- ▶ Do not attempt to assemble the gazebo if any parts are missing.

## NOTES

- ▶ This product is intended for domestic outdoor use only.
- ▶ The product should be placed on flat, horizontal ground.
- ▶ Ensure enough clearance around the product. Before assembling the product, find level ground not less than 6'(1.8 m) away from any structures or obstructions, such as fences, garages, houses, overhanging branches, laundry lines, or electrical wires.
- ▶ This gazebo is not to be regarded as part of a building/house structure. The gazebo is to be anchored onto the ground for added safety.
- ▶ Do not assemble the gazebo onto soil/earth ground. It is best advisable to have the gazebo built onto a wooden deck or concrete ground for stability. If it is to be build onto a wooden deck/ground, do ensure that the wooden deck/ground has a strong foundation.
- ▶ Some structures may require two or more people to install safely. Check for underground utilities before digging or driving stakes into the ground.
- ▶ During installation, follow all safety warnings provided with your tools, and use safety glasses.
- ▶ In case you set up more than one gazebo, keep a minimum distance of 10'(3 m) between the gazebos.
- ▶ Any assembly or maintenance of the product must be carried out by adults only.
- ▶ Arrange necessary manpower when assembling or moving the product.
- ▶ Some parts may contain sharp edges. Wear protective gloves if necessary.
- ▶ Keep children and pets away while setting up the gazebo.
- ▶ Check all nuts and bolts periodically to ensure bolts/nuts are tightened.
- ▶ Repairing and replacing parts should be done by a qualified technician.
- ▶ Do not light any fires inside or near the product!
- ▶ Stay calm if fire breaks out. Search for the nearest exit. Do not return to the gazebo before firemen allow you to do so.
- ▶ Do not hang heavy weights on the roof frame.
- ▶ Do not climb onto the roof of the gazebo. Falling off the gazebo can result in serious injury.
- ▶ Retain the original packaging to store the gazebo.

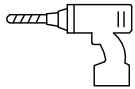
Country of Origin: china

## IMPORTANT

- ▶ Please read and understand this manual before any assembly. Before beginning assembly of product, make sure all parts are present. Compare parts with packaging contents list.
- ▶ If any part is missing, or if you have any questions, contact the service centre.
- ▶ When assembling wooden parts, do not overtorque the bolts to avoid splitting the wood. See image illustration.
- ▶ Place all parts from the box in a cleared area and position them on the floor in front of you.
- ▶ Remove all packing materials and place them back into the box. Do not dispose of the packing materials until assembly is complete.
- ▶ Read each step carefully before beginning any assembly and make sure you understand each step.

## Needed for assembly

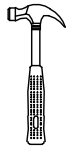
(The following tools are not included )



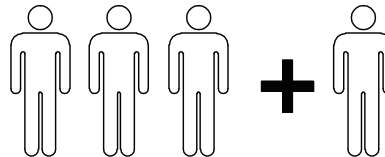
Cordless drill



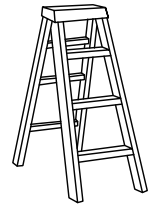
Screwdriver



Hammer



4 people

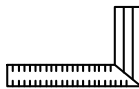


Ladder



Use Level

Check that assembly is properly level before proceeding.



Square Assembly

Check that assembly is square before tightening bolts.



Measure Distance

---

## WOOD CARE AND MAINTENANCE

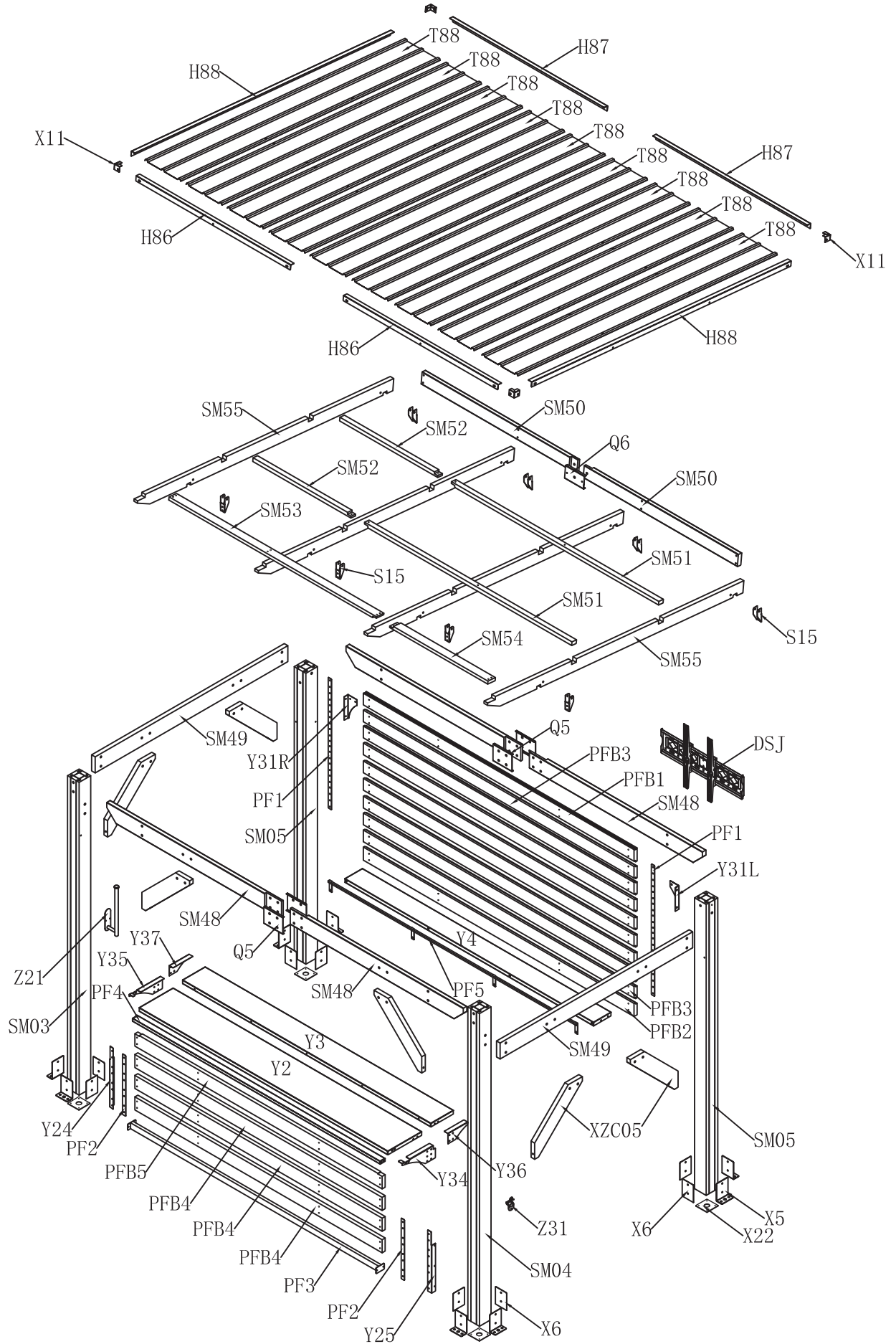
Wood requires some care and attention over its lifetime to ensure a long-lasting beautiful finish. Proper cleaning and maintenance will keep your wood products looking beautiful for a long time. Please follow these guidelines to maintain your wood surfaces.

- ▶ **Fading and weathering :** Wood is a natural product and is expected to change over time. Long periods of sun exposure can naturally lead to color fading. Weather extremes, temperature fluctuations, and humidity highs/lows cause wood to expand and contract, possibly leading to warping and cracking. Knots and small surface cracks are naturally occurring and do not affect the strength of the product.
- ▶ **Keeping dry :** Prolonged moisture and high or low humidity can be harmful for wood. Cracking or splitting from extremes outside of the normal humidity range of 35-65% are not covered by our warranty. Preventing prolonged exposure to moisture is advisable.
- ▶ **Cleaning :** Frequent light cleaning is recommended. Dust regularly using a slightly damp soft cloth, and then wipe dry, (following the direction of the wood grain. For more thorough cleaning, use a soft cloth and a gentle soap solution (dilute ¼ cup of mild dishwashing liquid soap with 1 gallon of warm water). Rinse with water, and immediately dry the surfaces with a soft cloth. Do not use bleach, acid, or other solvents on any metal parts or surfaces. Minor stains or scratches can be lightly buffed with No. 0000 steel wool, followed by an application of good-quality wood-care oil, wiping in the direction of the grain.
- ▶ **Annual Sealing :** It is advisable to annually maintain the wooden parts with a sealant or outdoor wax/oil to protect and enhance the wood surfaces. Twice yearly, after cleaning, apply a good quality wood-care oil or water-based sealant to the surfaces. Recommended options are outdoor water-based sealant, linseed, teak, or tung oil. Refer to the manufacturer's specific instructions for application. It is best to try on a small section of wood, then if satisfied with the result, continue the application, taking care to avoid any metal surfaces.

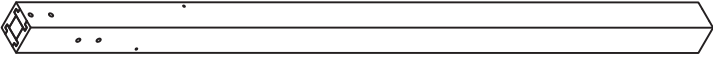
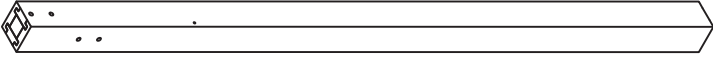
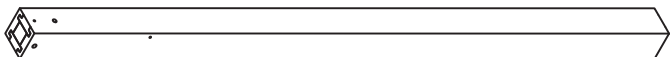
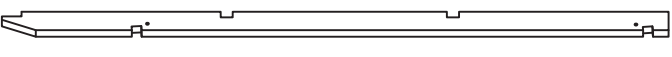
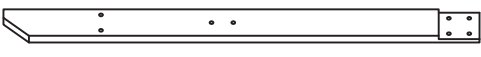
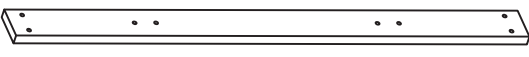
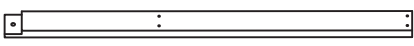

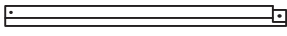
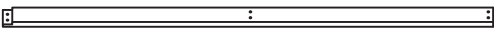
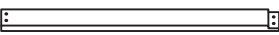
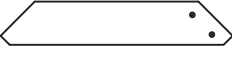



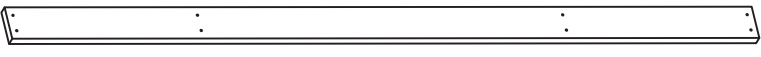
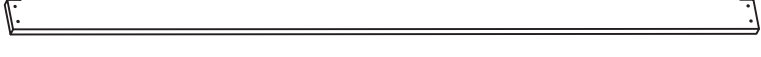
## METAL CARE AND MAINTENANCE

- ▶ To minimize this condition, we recommend care when assembling & handling the product to prevent scratching the paint. Should any scratching or damage occur, we recommend immediate touch-up with rust inhibiting paint.
- ▶ Surface rust can also easily removed with a very light application of common cooking oil. If surface oxidation (rusting) occurs and if no measure is taken to prevent this, the oxidation may start dripping on to deck or patio and caused damaging stains, which may be difficult to remove. This can be prevented if the above-mentioned measures are taken to keep the product from oxidizing.
- ▶ Use damp cloth to wipe off the stains as quickly as possible.

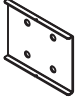




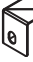
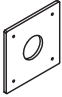
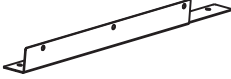
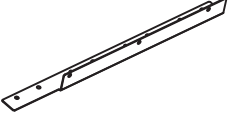
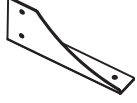
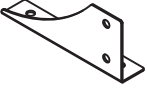
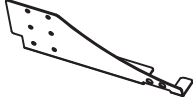


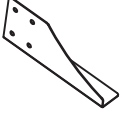
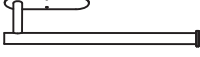

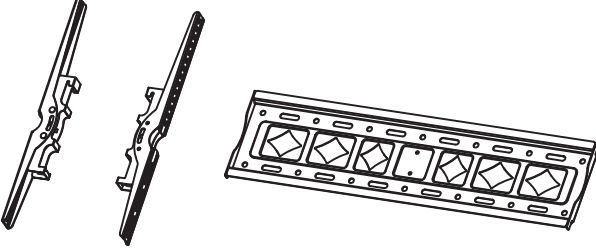
# EXPLODED DRAWING










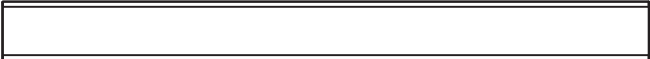








# PARTS LIST

LABEL	QTY	IMAGE	CARTON NO.
SM03	1		BOX-1
SM04	1		
SM05	2		BOX-2
SM55	4		BOX-1
SM48	4		BOX-2
SM49	2		
SM50	2		BOX-1
SM51	2		BOX-2
SM52	2		
SM53	1		BOX-3
SM54	1		BOX-1
XZC05	6		
PFB1	1		BOX-3
PFB2	1		
PFB3	8		
PFB4	3		
PFB5	1		

# PARTS LIST












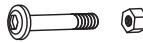



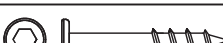



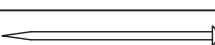

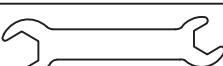
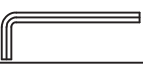

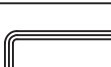
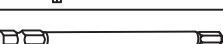
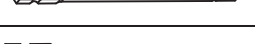
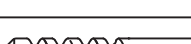
LABEL	QTY	REFERENCE IMAGE	CARTON NO.	LABEL	QTY	REFERENCE IMAGE	CARTON NO.
Q5	4		BOX-2	Q6	1		BOX-2
S15	8			X5	8		
X6	8			X11	4		
X22	4			Y24	1		
Y25	1		BOX-4	Y31L	1		BOX-2
Y31R	1		Y34	1			
Y35	1		Y36	1			
Y37	1		Z21	1		BOX-1	
Z31	1						
DSJ	1					BOX-1	

# PARTS LIST

LABEL	QTY	IMAGE <span style="float: right;">(CARTON NO.: BOX-4)</span>
H86	2	 
H87	2	 
H88	2	 
Y2	1	
Y3	1	
Y4	1	
PF1	2	
PF2	2	
PF3	1	
PF4	1	
PF5	1	
PF10	1	
T88	9	

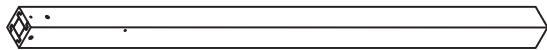
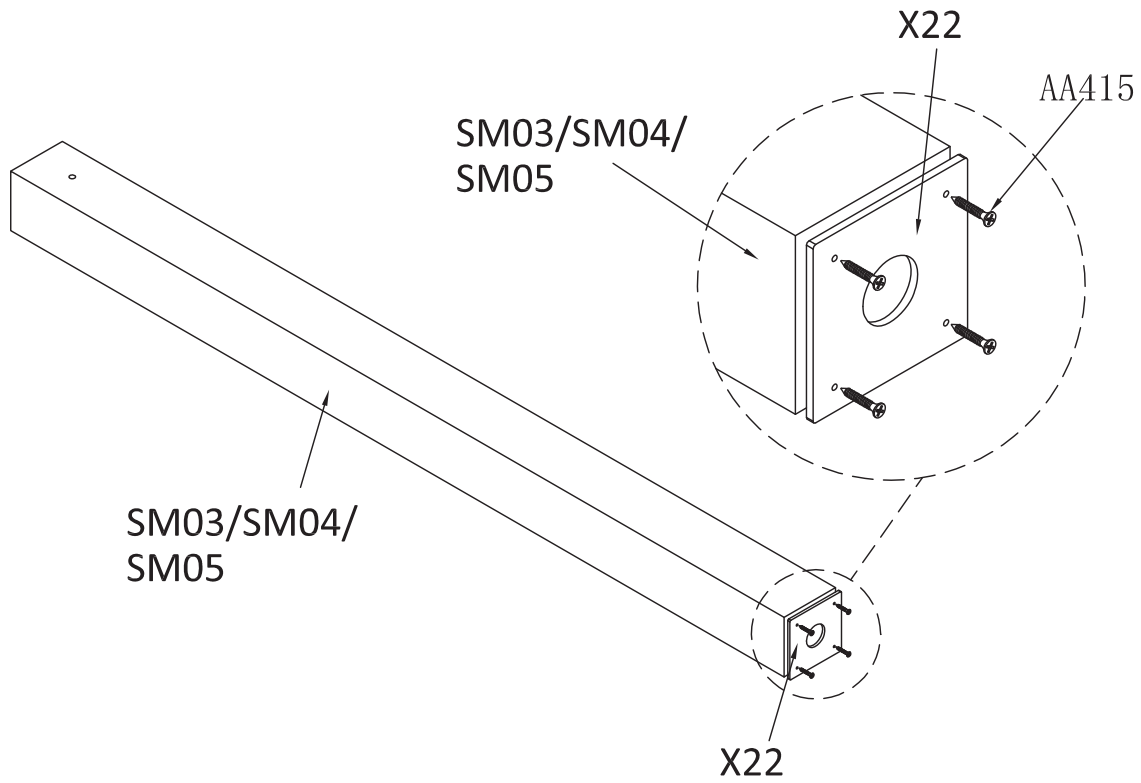
# HARDWARE PACK

(CARTON NO.:BOX-2)

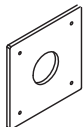
LABEL	QTY	DESCRIPTION	REFERENCE IMAGE
AA415	16+1	M4*15	
AA420	86+8	M4*20	
AA425	44+5	M4*25	
AA430	46+4	M4*30	
AA430A	16+2	M4*30	
AA435	28+2	M4*35	
AA440	52+5	M4*40	
AA450	8+1	M4*50	
AA525	8+1	M5*25	
BB1060	4	M10*60	
CC615	8+1	M6*15	
CC645	8	M6*45	
EE825	9+1	M8*25	
CC855	12+1	M8*55	
CC8120	12	M8*120	
FF670	6	M6*70	
MM	16	M6	
ZZ	4		
QQ	8	M10*80	
UU	16	6X200	
V2	2	M6	
V3	1	M10	
V4	1	M8	 Dia 6mm
V5	1	M8	 Dia 5mm
V6	1	M6	 Dia 4mm
V7	1	M6	 Dia 4mm
V8	1	M8	 Dia 5mm
V9	1	M3	

# ASSEMBLY STEPS:

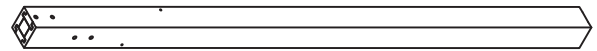
## STEP. 1



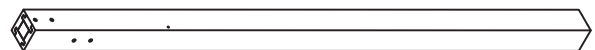
SM05 2X



X22 4X



SM03 1X



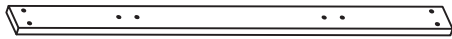
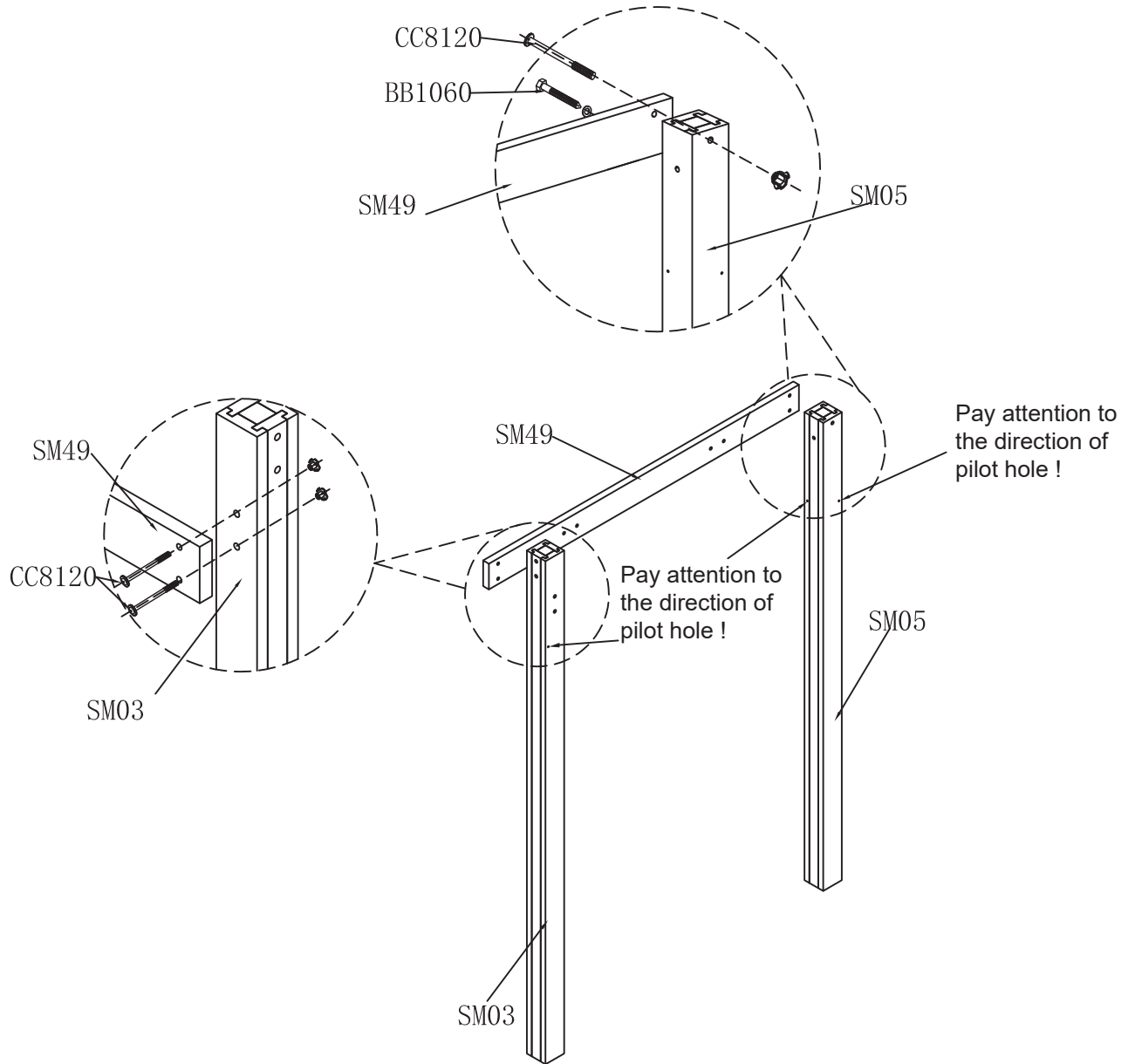
SM04 1X



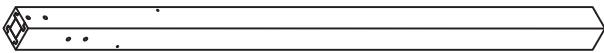
M4X15

AA415 16X

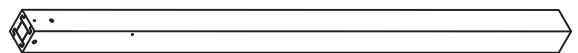
# STEP. 2



SM49 1X



SM03 1X



SM05 1X



M8x120



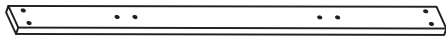
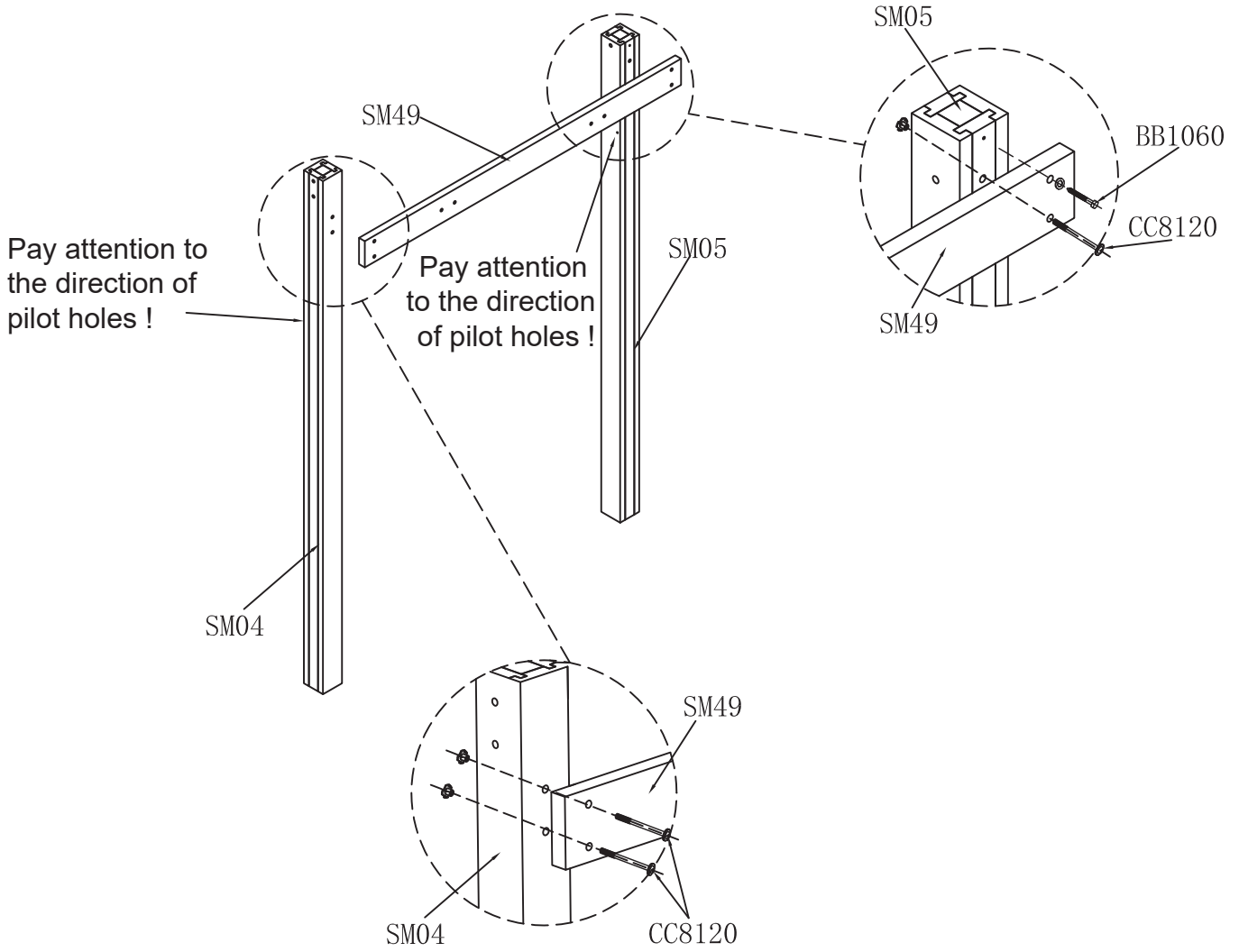
CC8120 3X



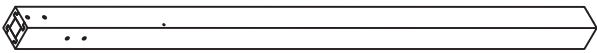
M10\*60

BB1060 1X

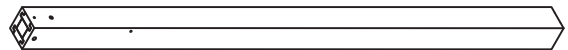
# STEP. 3



SM49 1X



SM04 1X



SM05 1X



M8X120



CC8120 3X

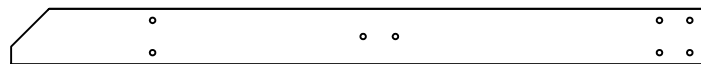
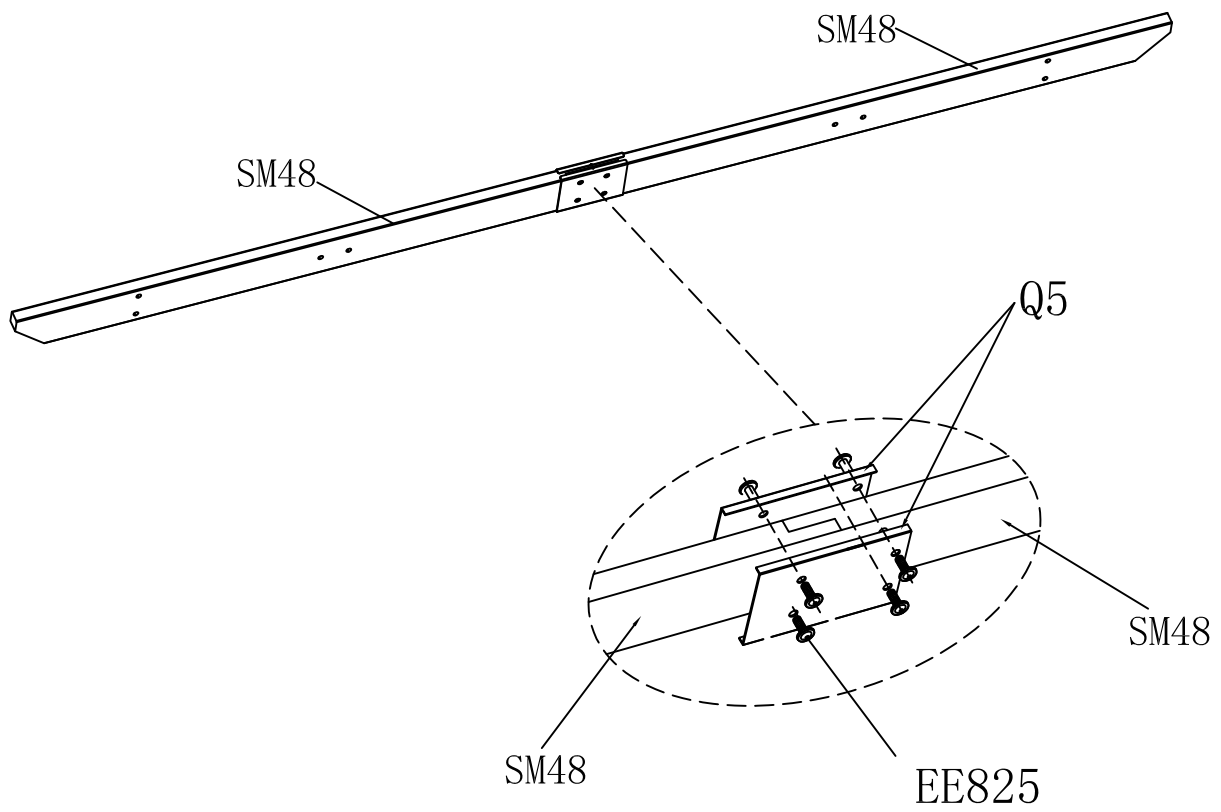


M10\*60

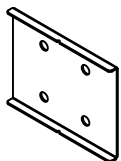
BB1060 1X

# STEP. 4

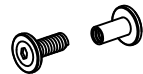
\*2



SM48 4X



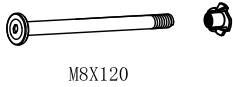
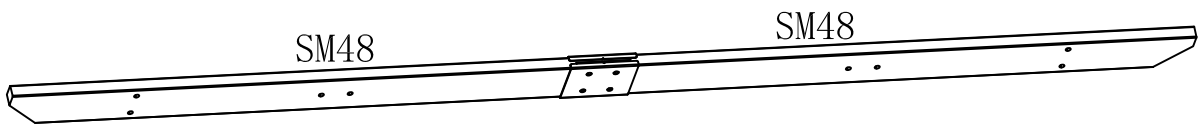
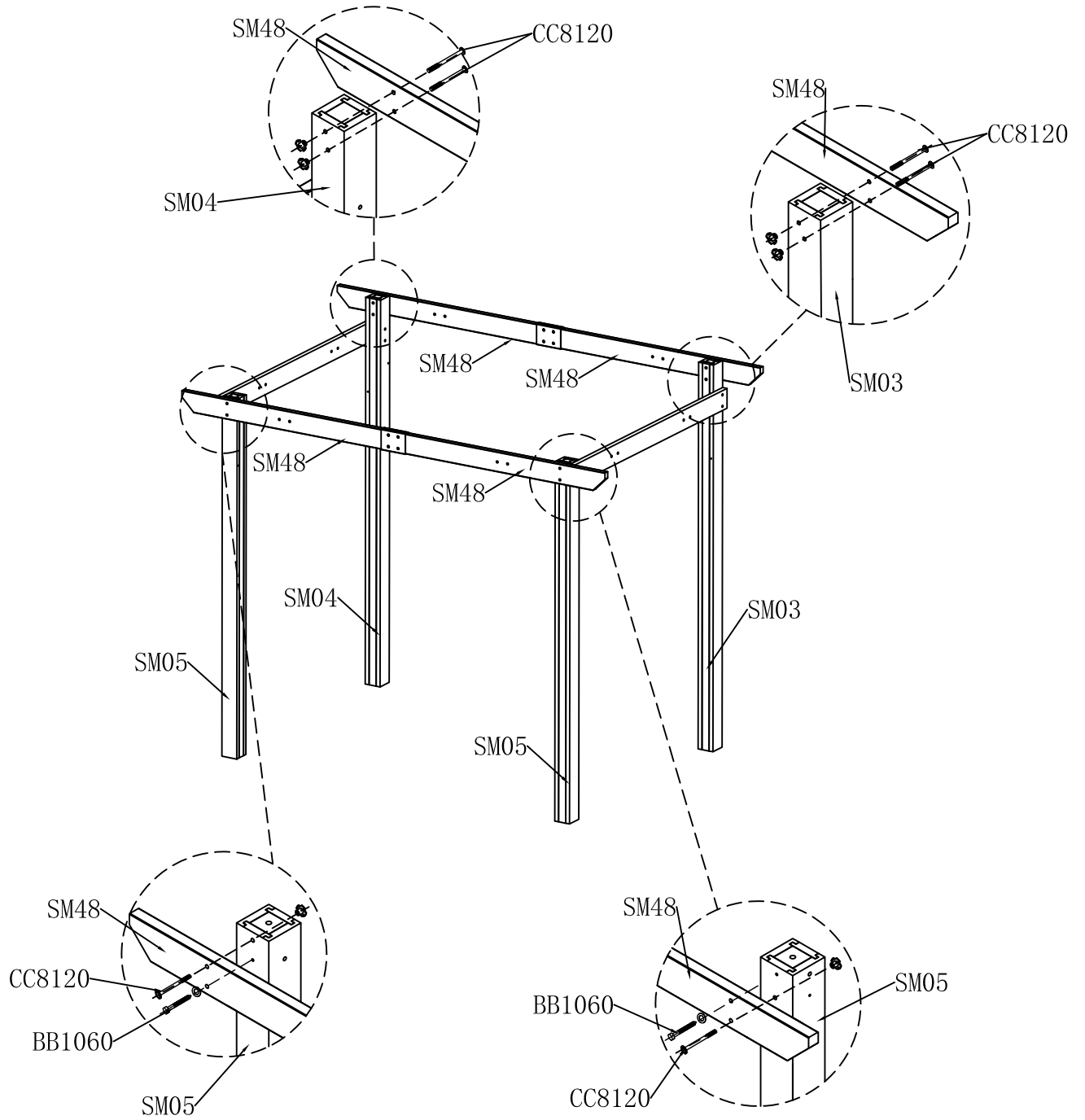
Q5 4X



M8\*25

EE825 8X

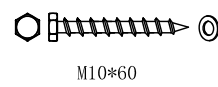
# STEP. 5



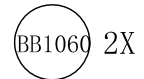
M8X120



CC8120 6X

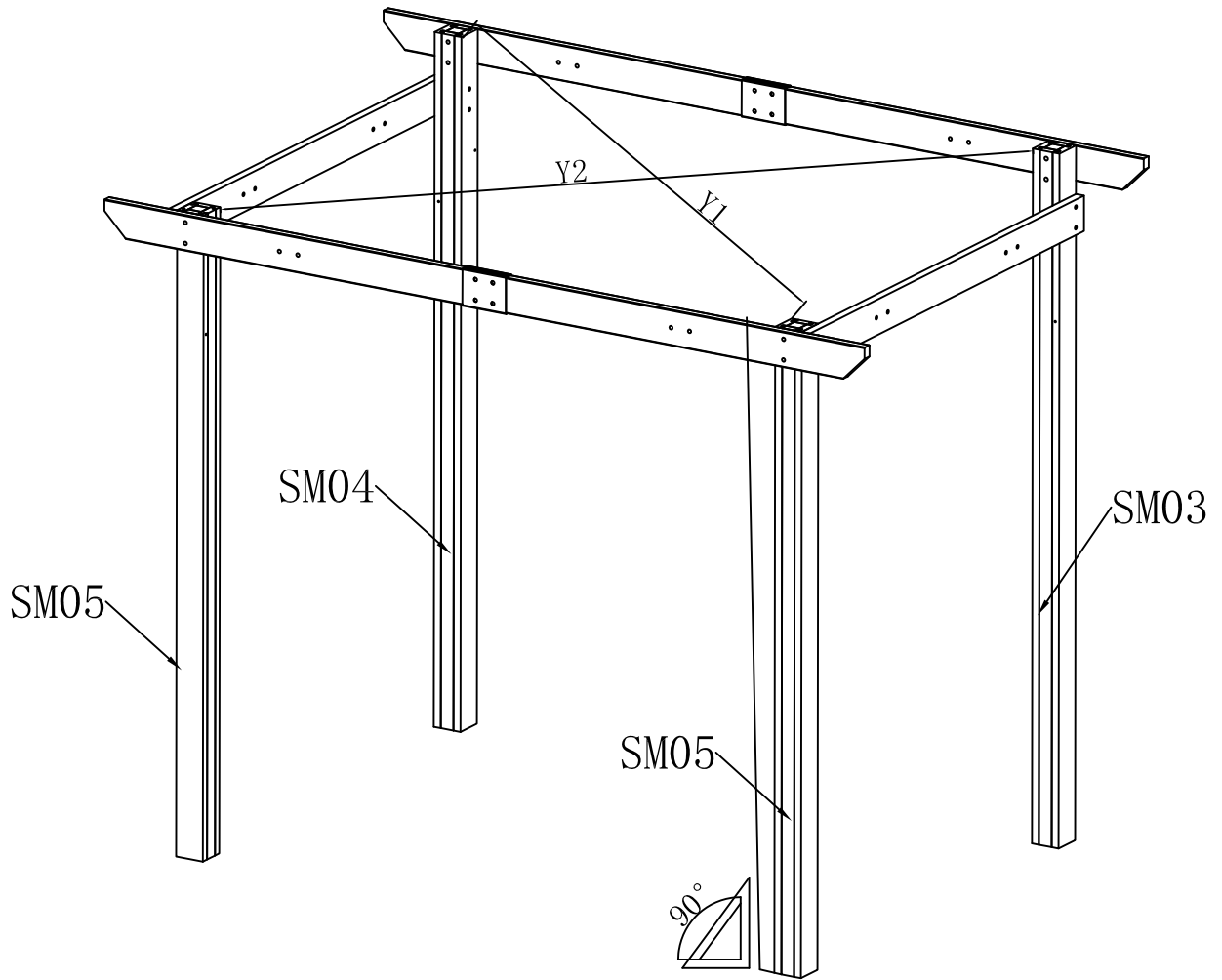


M10\*60



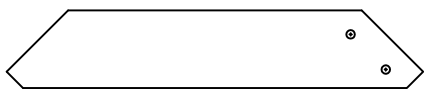
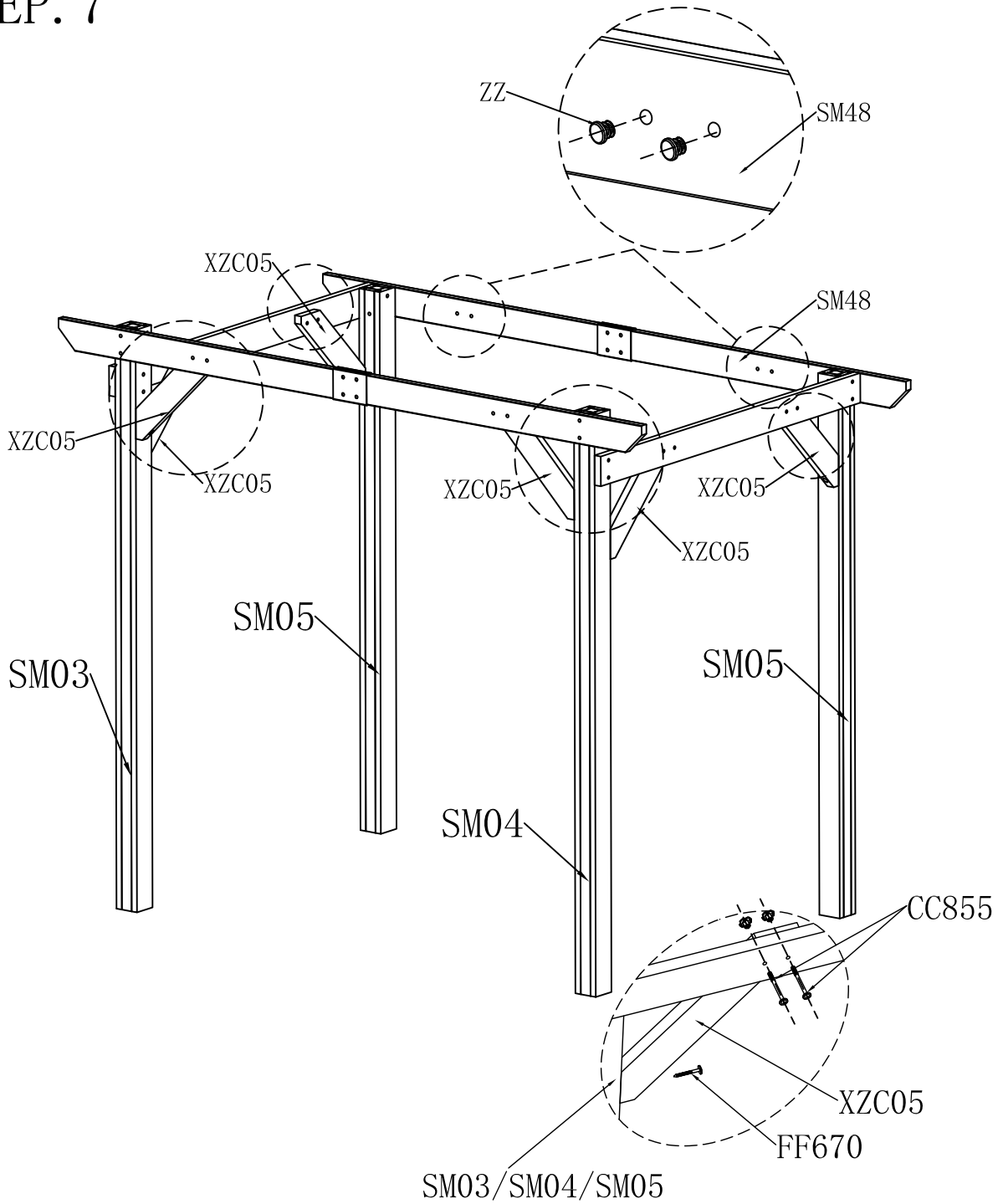
BB1060 2X

# STEP. 6



Y1=Y2

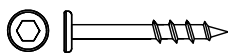
# STEP. 7



(XZC05) 6X

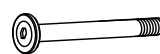


(ZZ) 4X



M6\*70

(FF670) 6X



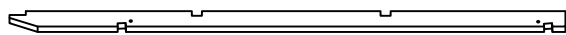
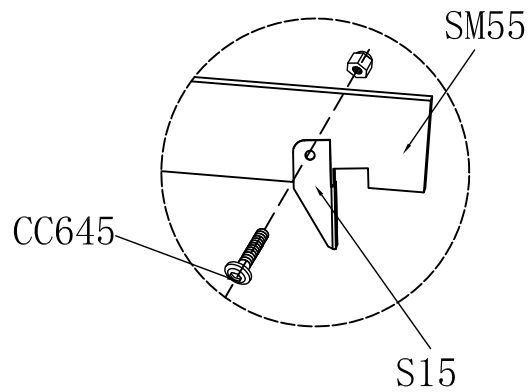
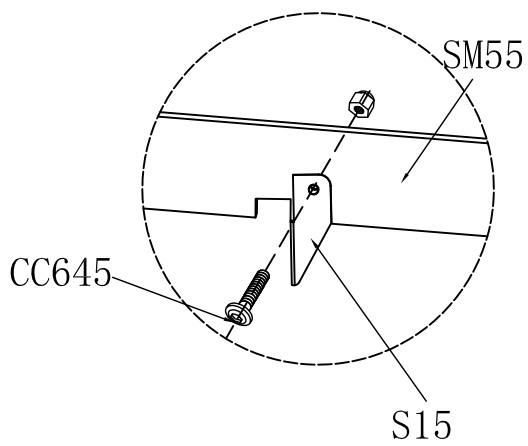
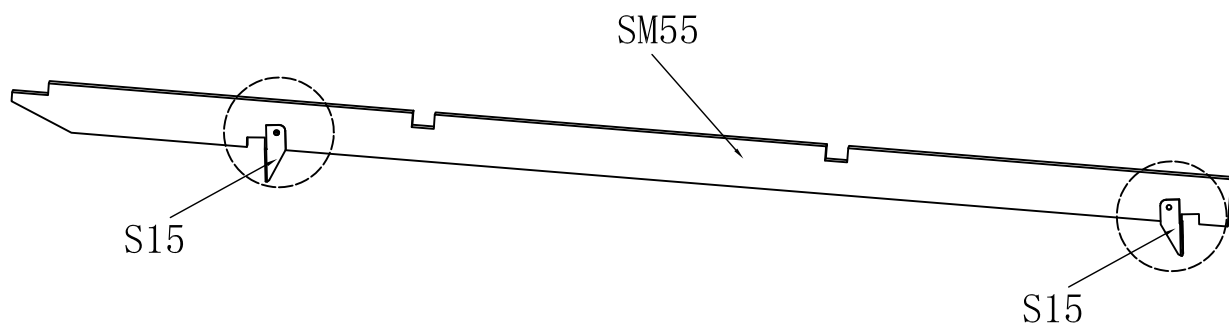
M8X55



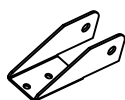
(CC855) 12X

# STEP. 8

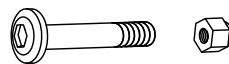
\*4



SM55 4X



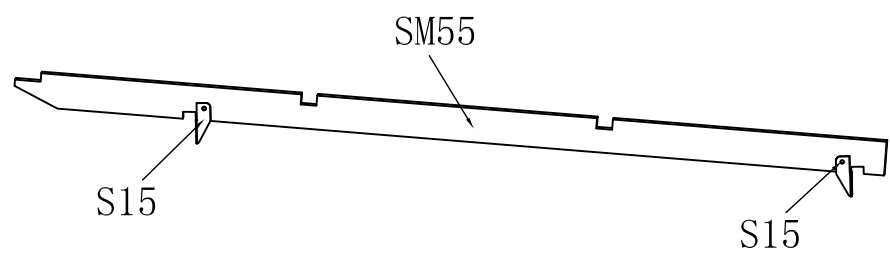
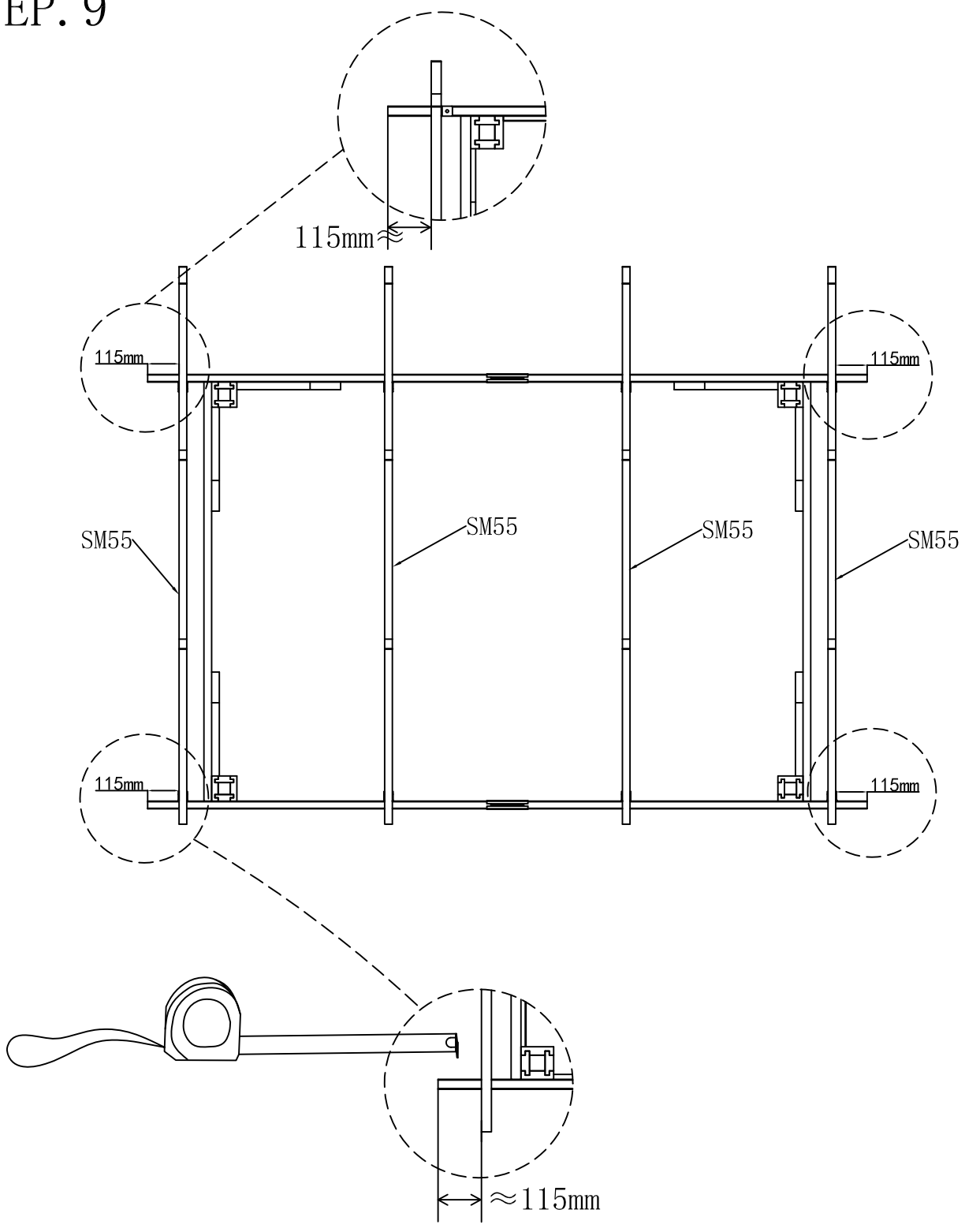
S15 8X



M6\*45

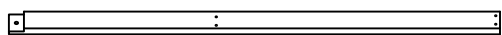
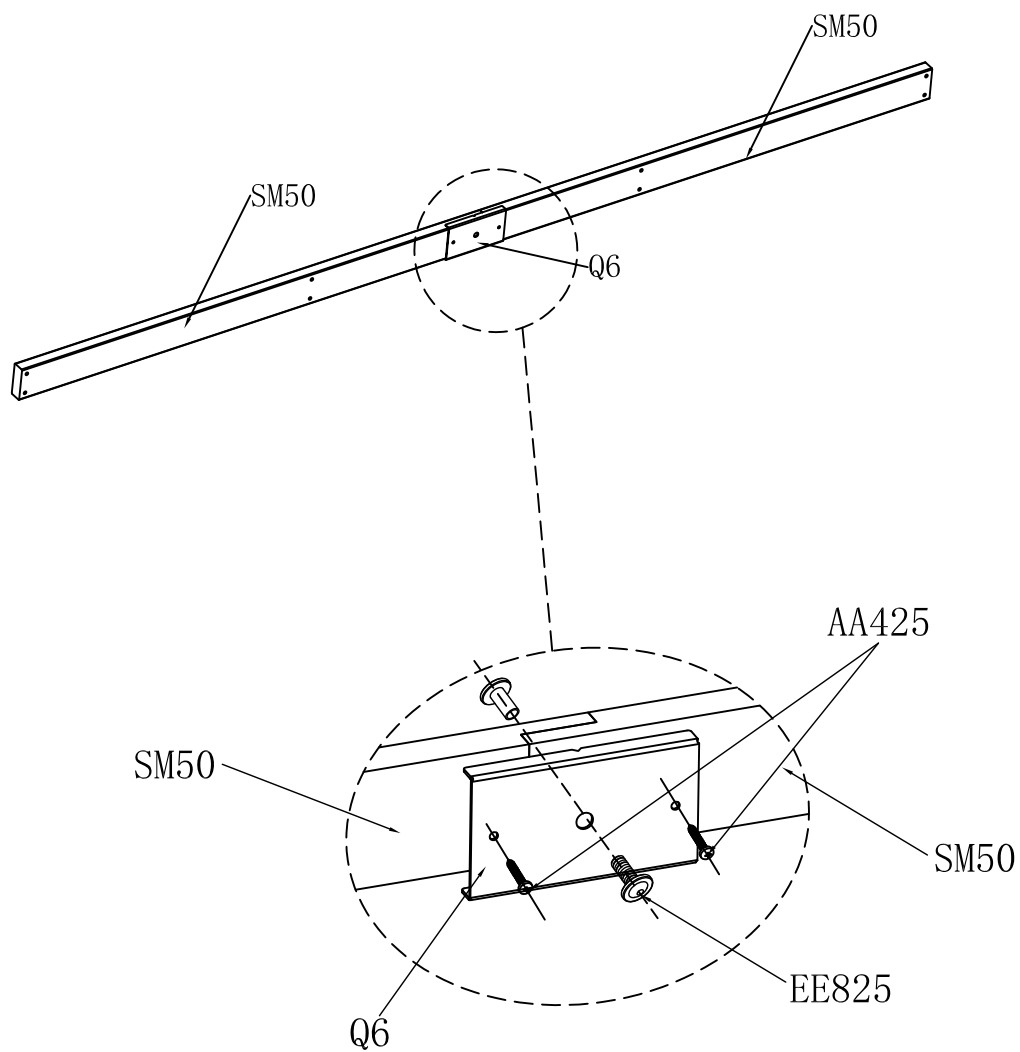
CC645 8X

# STEP. 9

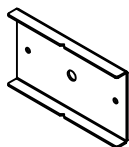


4X

# STEP. 10



SM50 2X



Q6 1X



M4\*25

AA425 2X

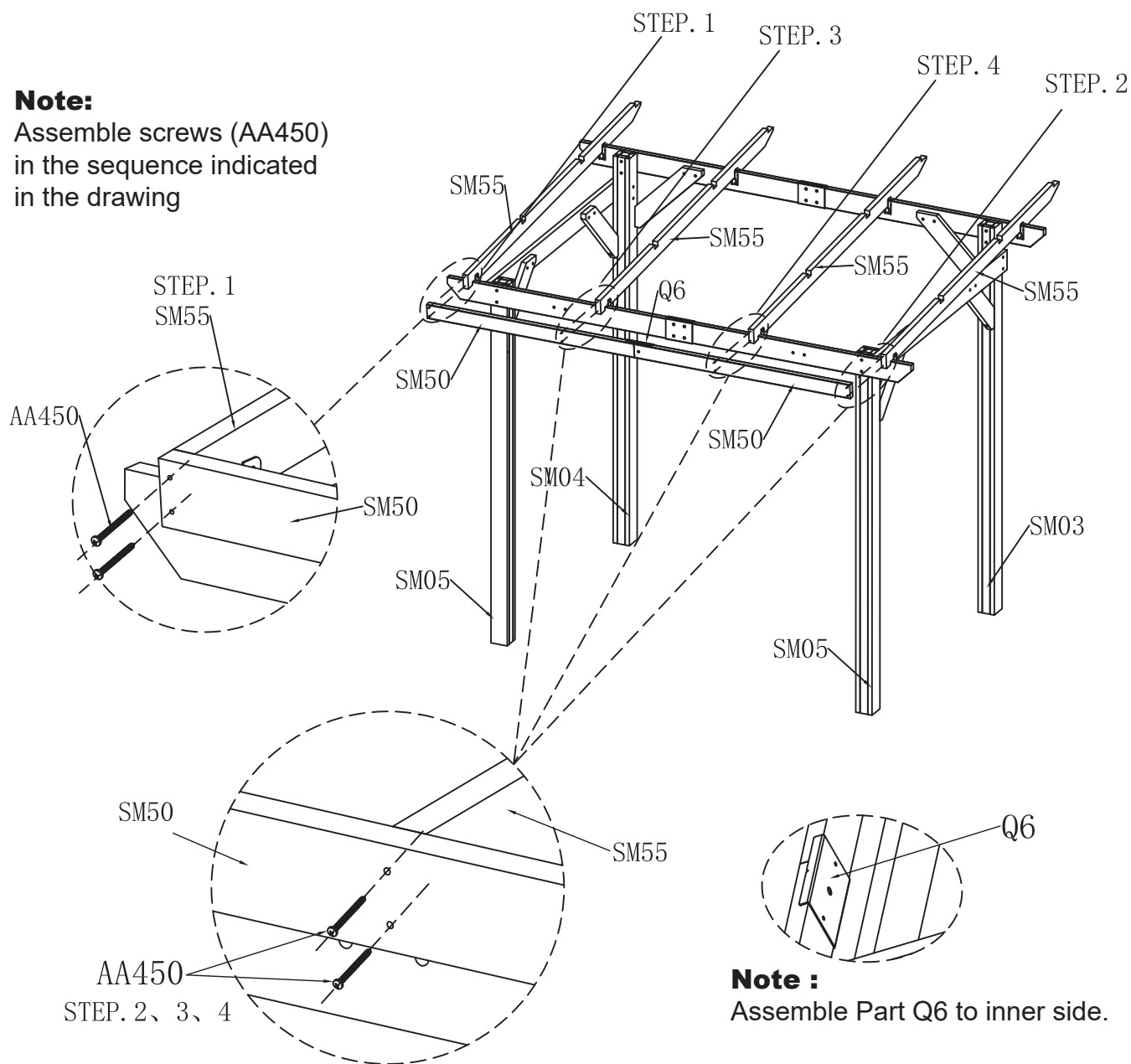


M8\*25

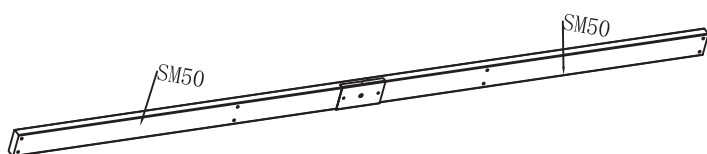
EE825 1X

# STEP. 11

**Note:**  
Assemble screws (AA450)  
in the sequence indicated  
in the drawing



**Note :**  
Assemble Part Q6 to inner side.



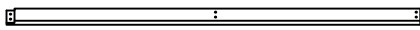
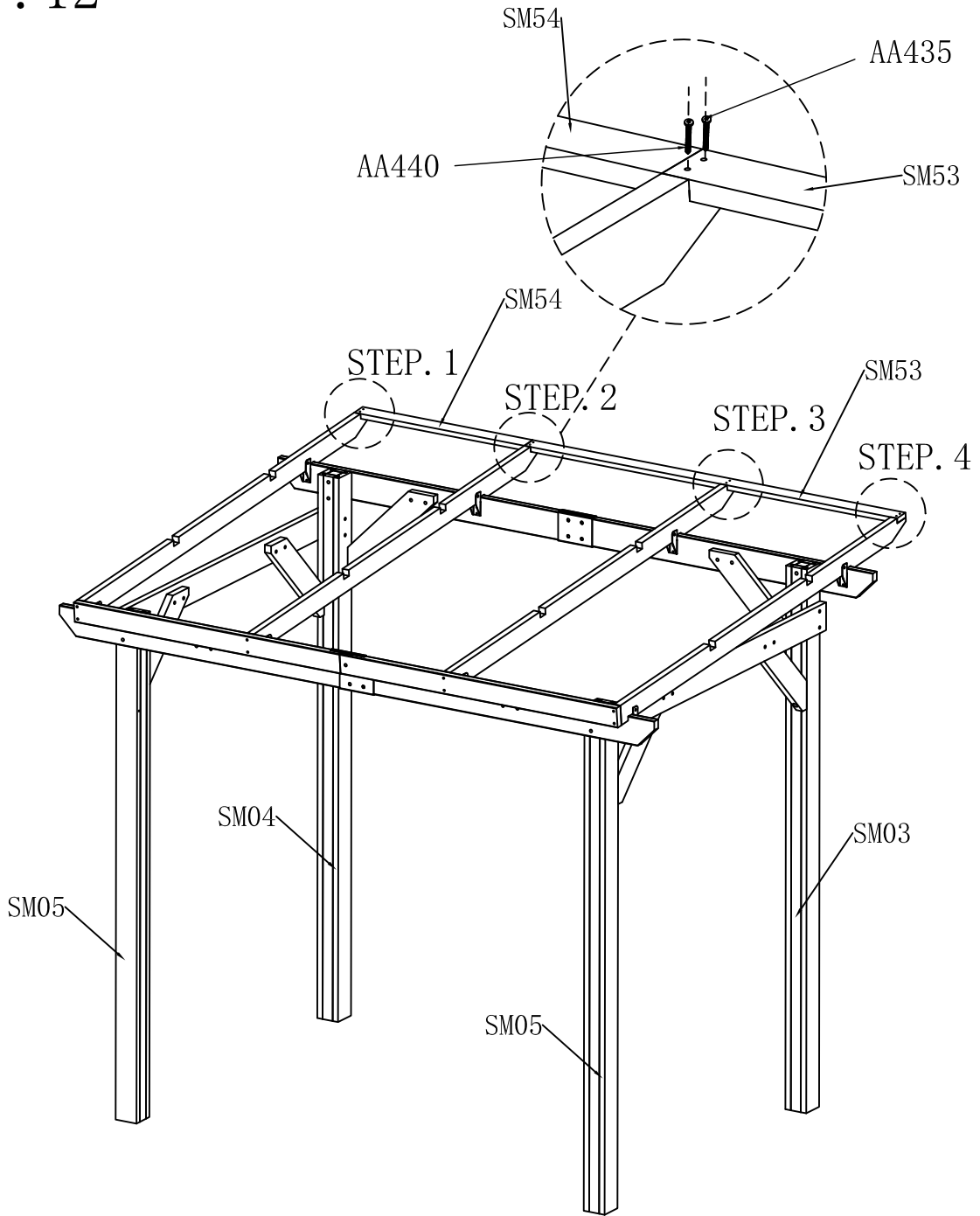
1X



M4\*50

AA450 8X

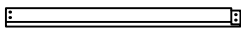
# STEP. 12



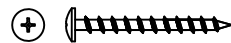
SM53 1X



M4\*35 AA435 4X

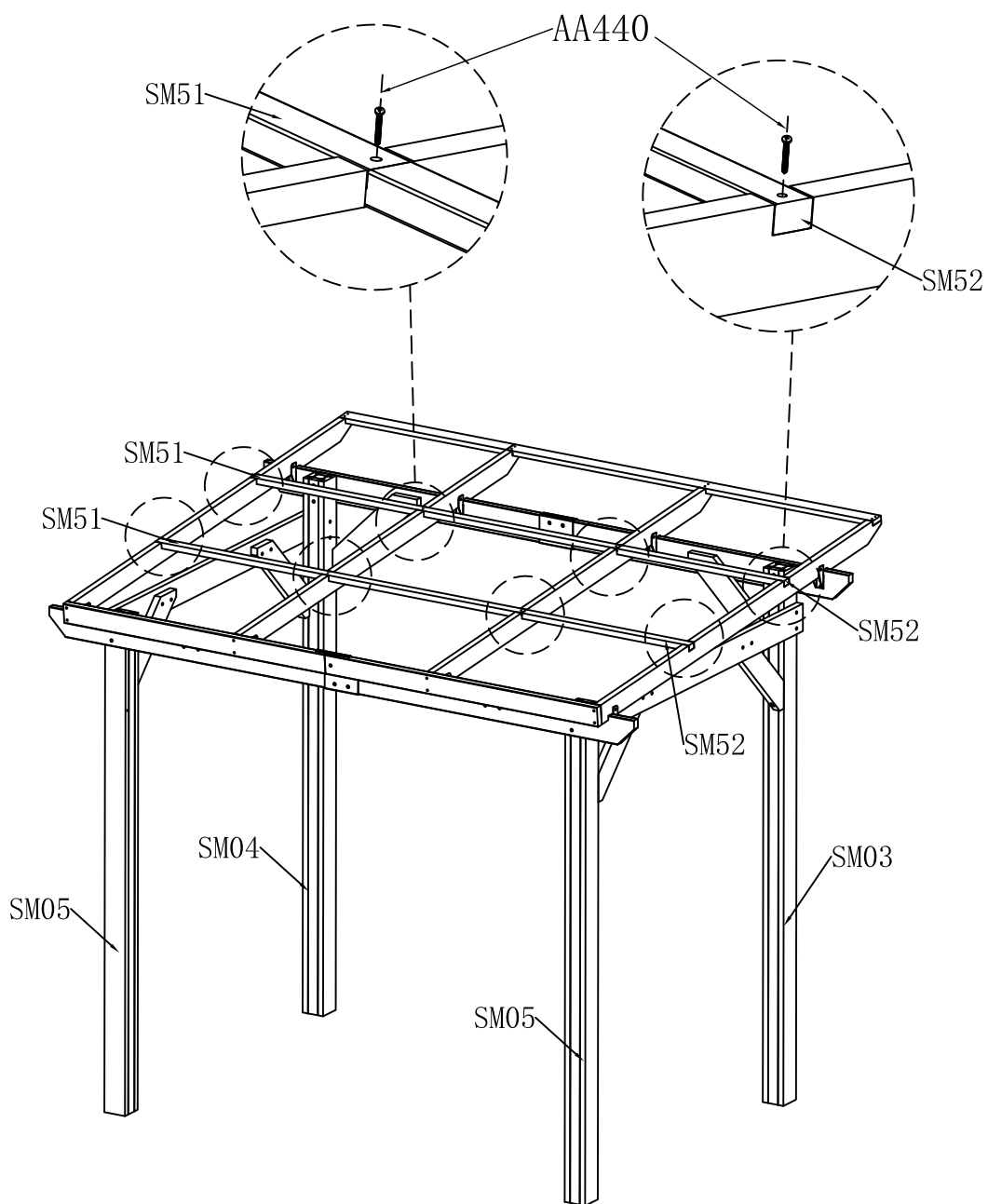


SM54 1X

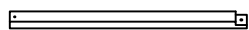


M4\*40 AA440 4X

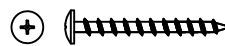
# STEP. 13



SM51 2X



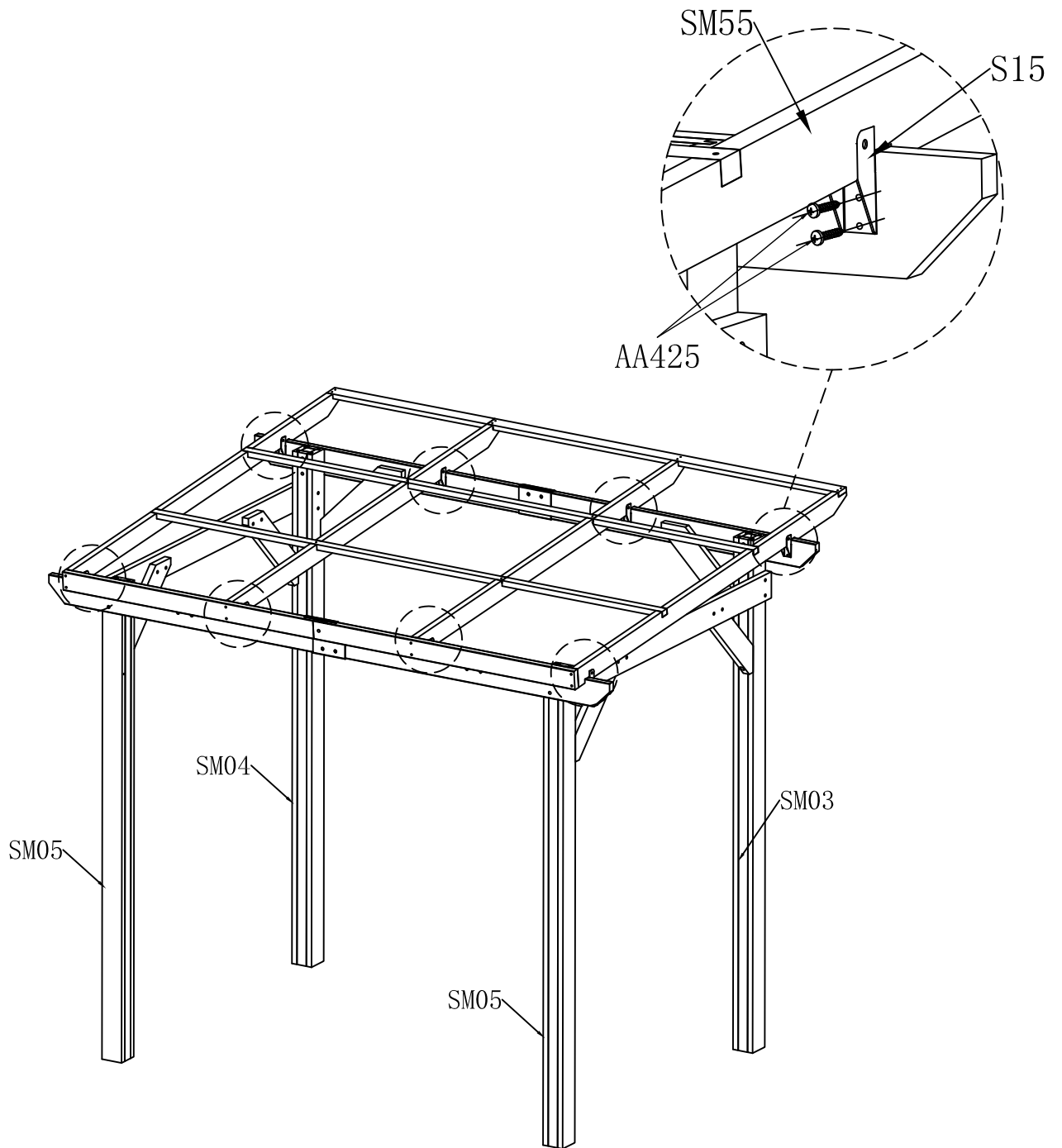
SM52 2X



M4\*40

AA440 8X

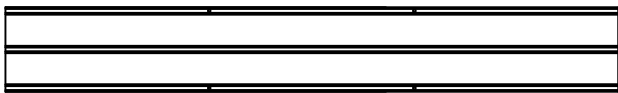
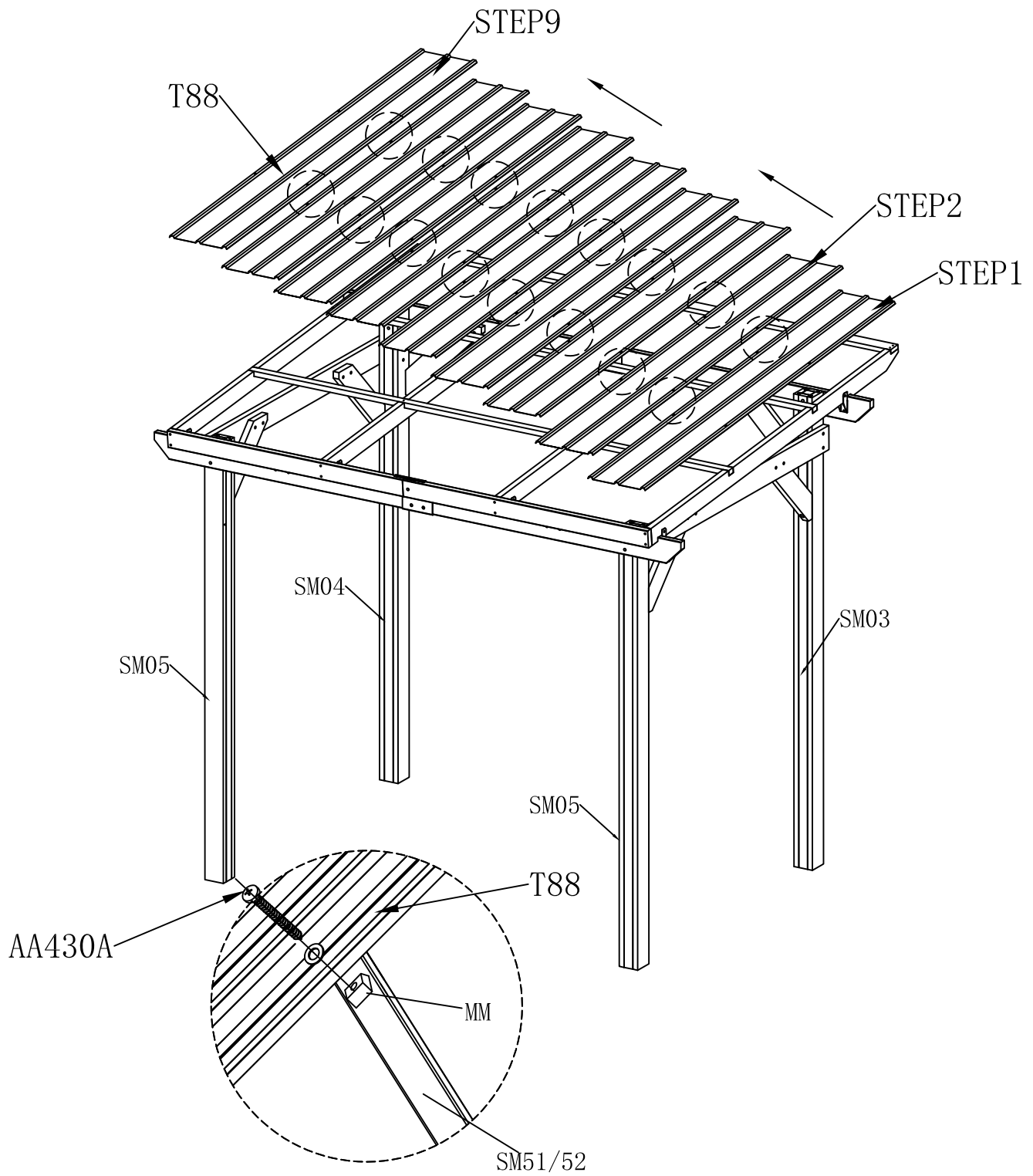
# STEP. 14



M4\*25

AA425 16X

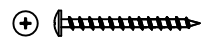
# STEP. 15



(T88) 9X



(MM) 16X



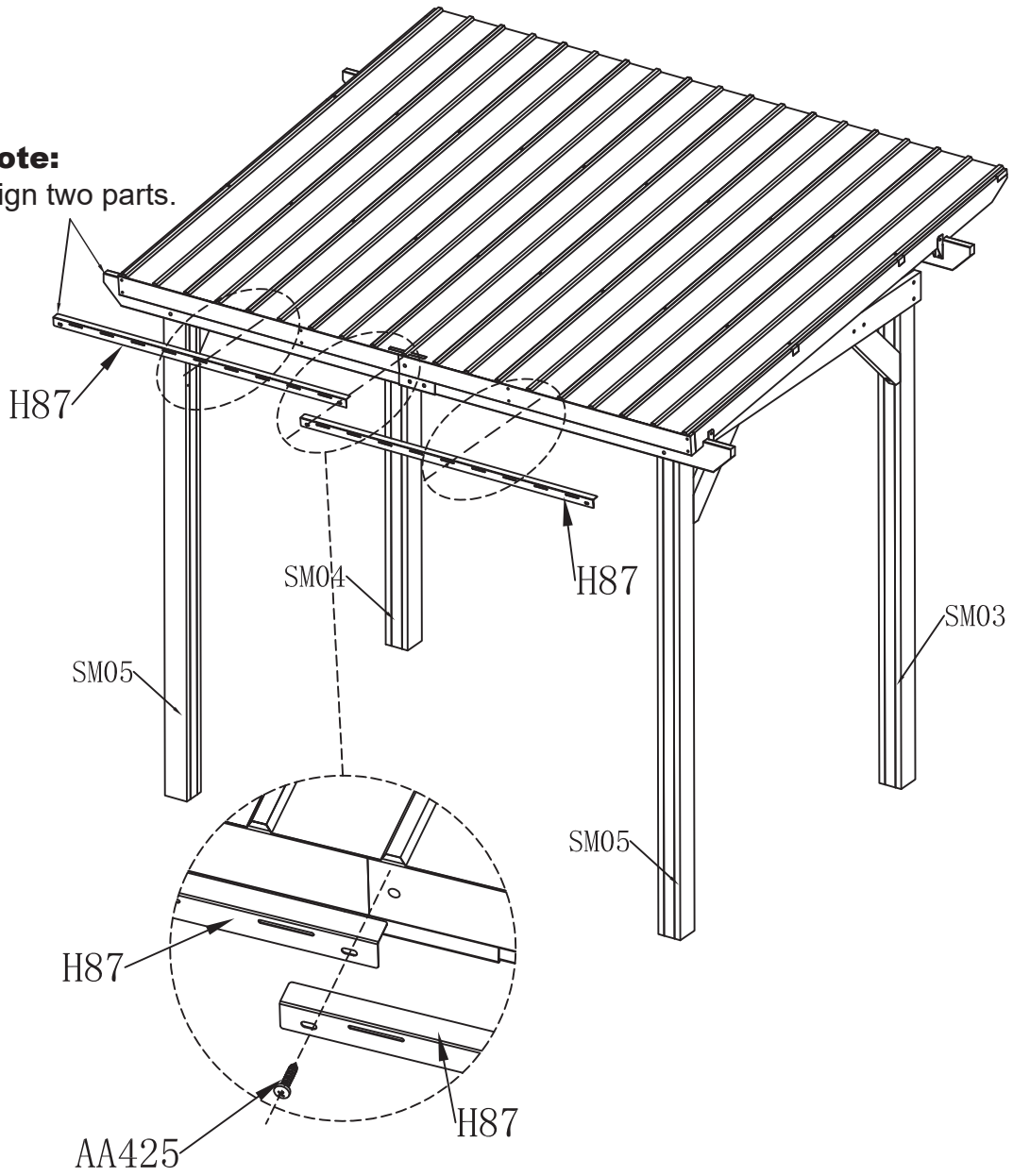
M4\*30



AA430A 16X

# STEP. 16

**Note:**  
Align two parts.



(H87) 2X

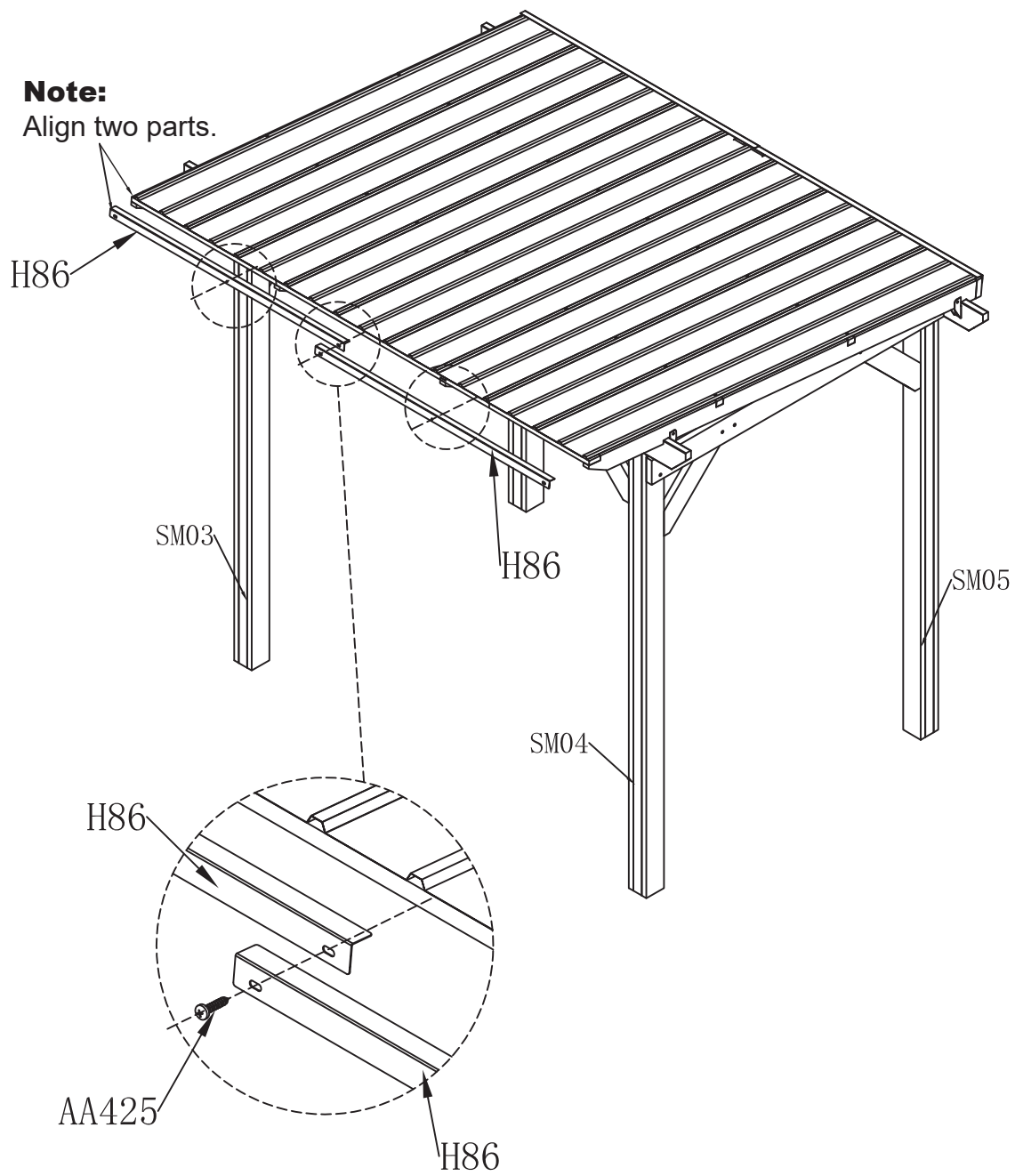


M4\*25

AA425 3X

# STEP. 17

**Note:**  
Align two parts.



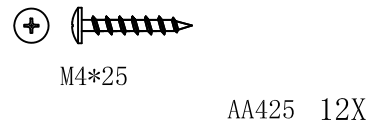
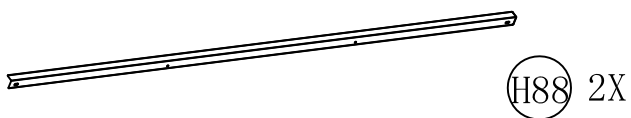
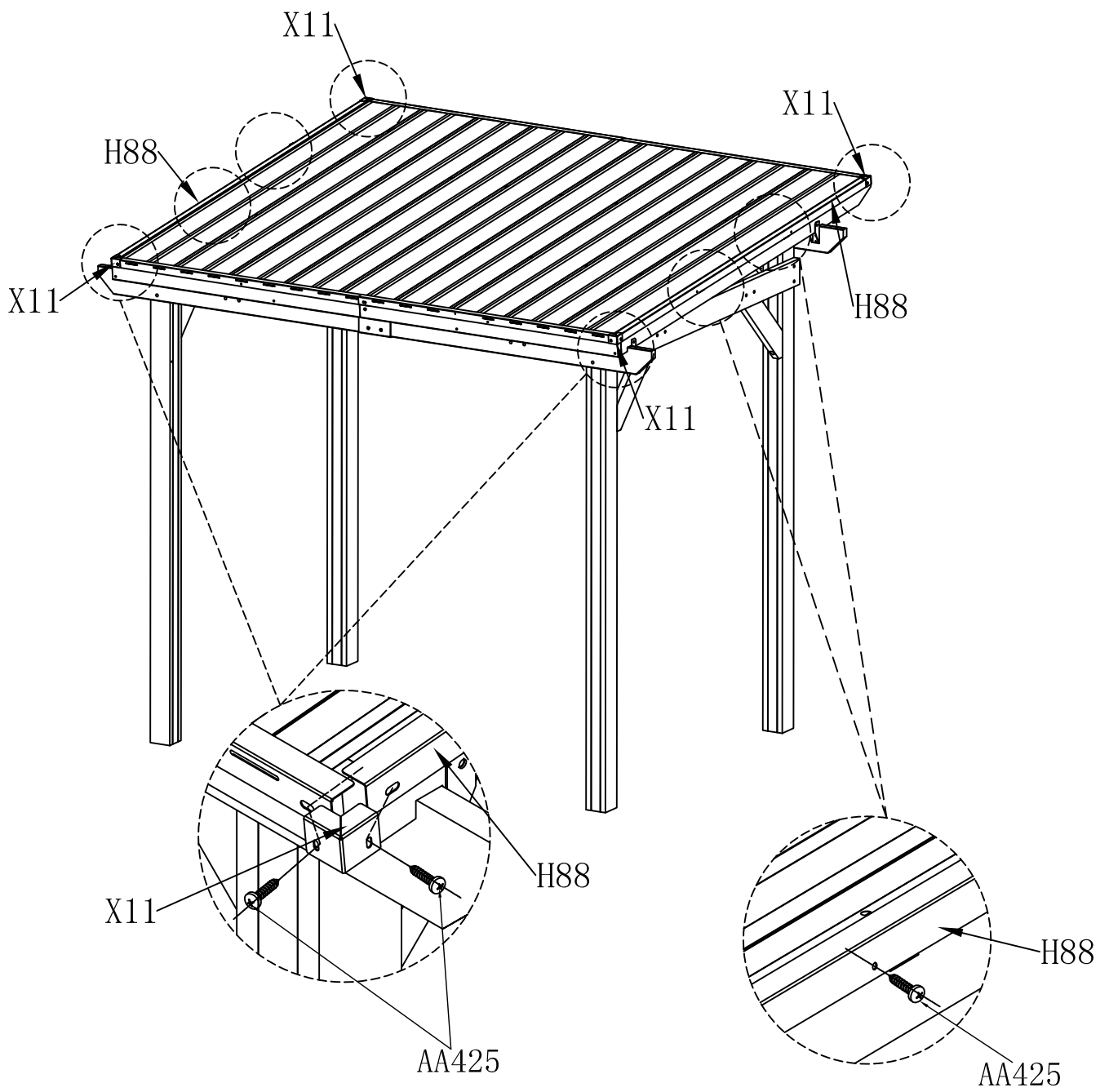
(H86) 2X



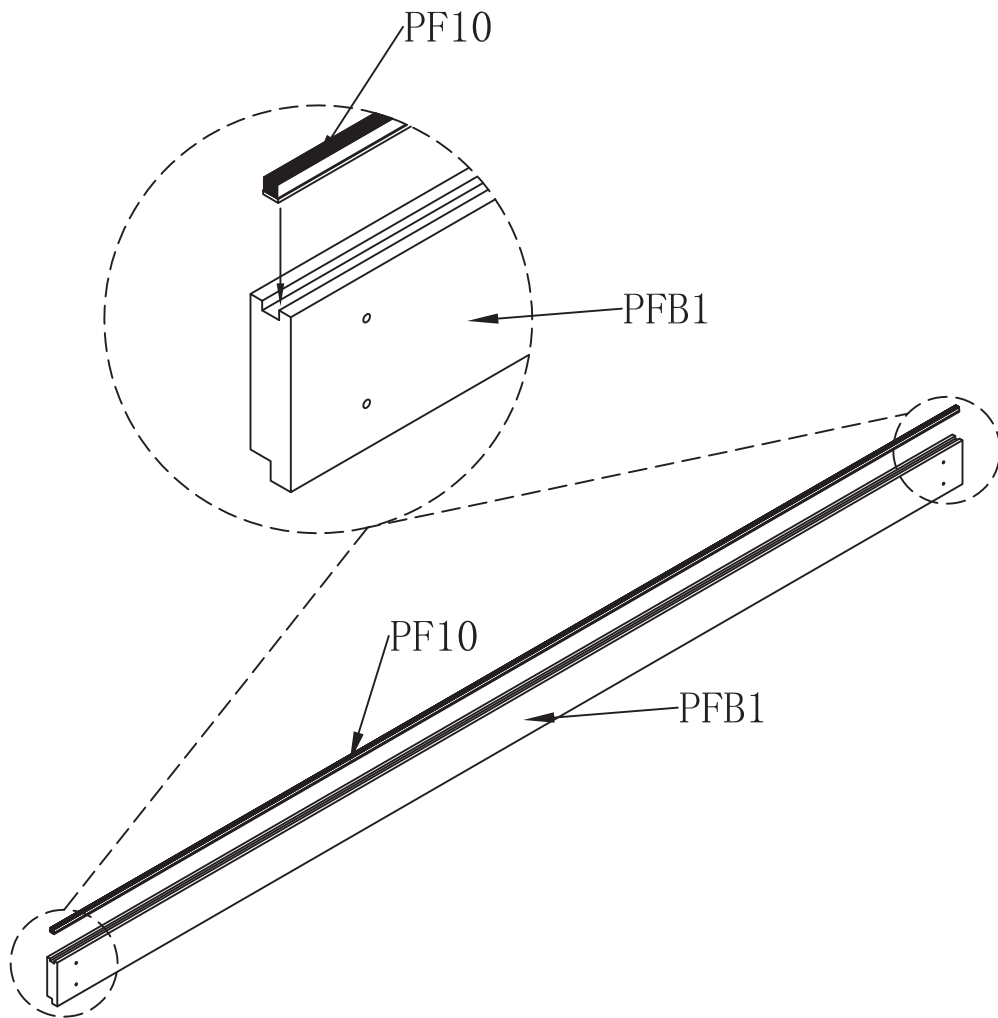
M4\*25

AA425 3X

# STEP. 18



# STEP. 19



**STEP 1.** Peel off the paper from the adhesive on back of the strip (PF10).

**STEP 2.** Insert strip (PF10) into the slot (PFB1), adhere strip (PF10) to (PFB1).

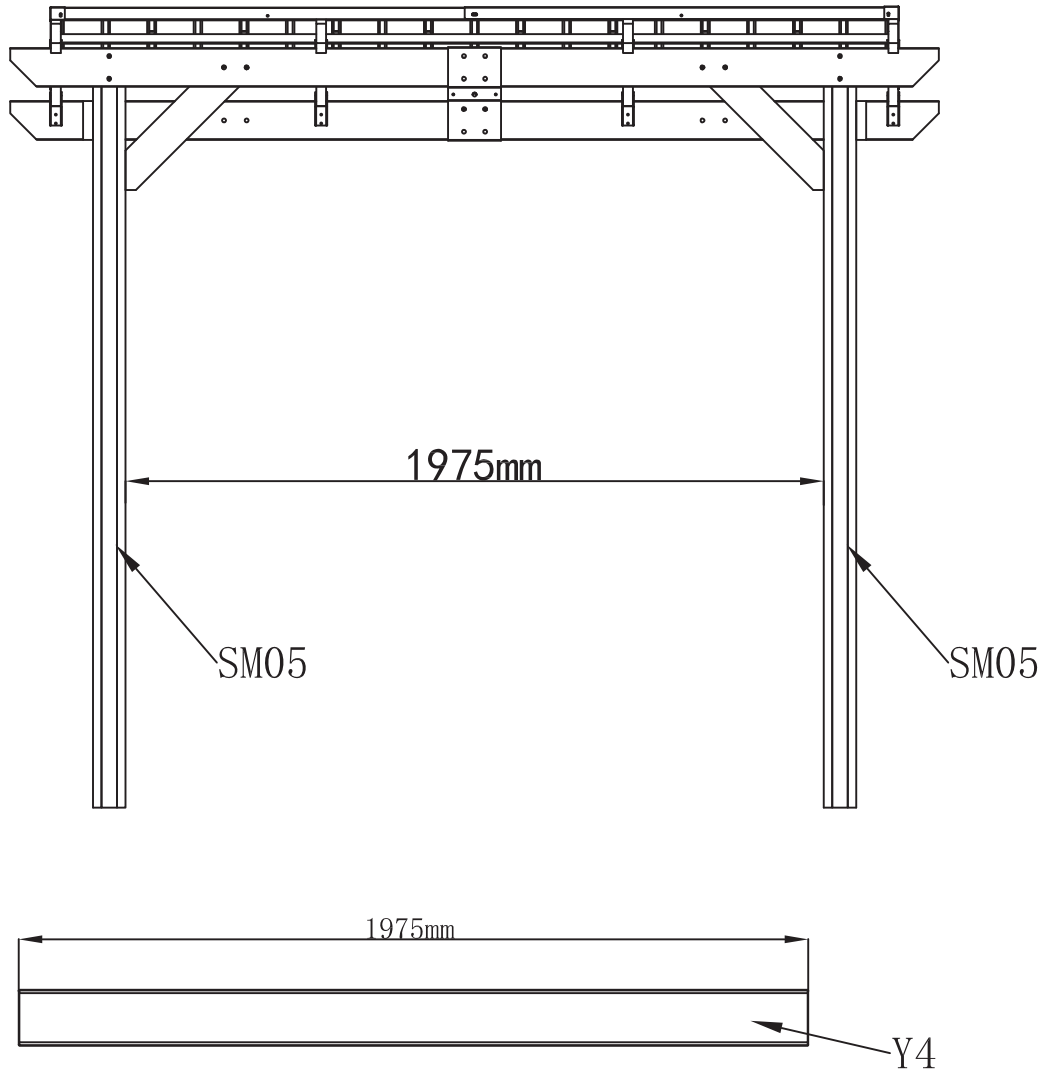


PF10 1X



PFB1 1X

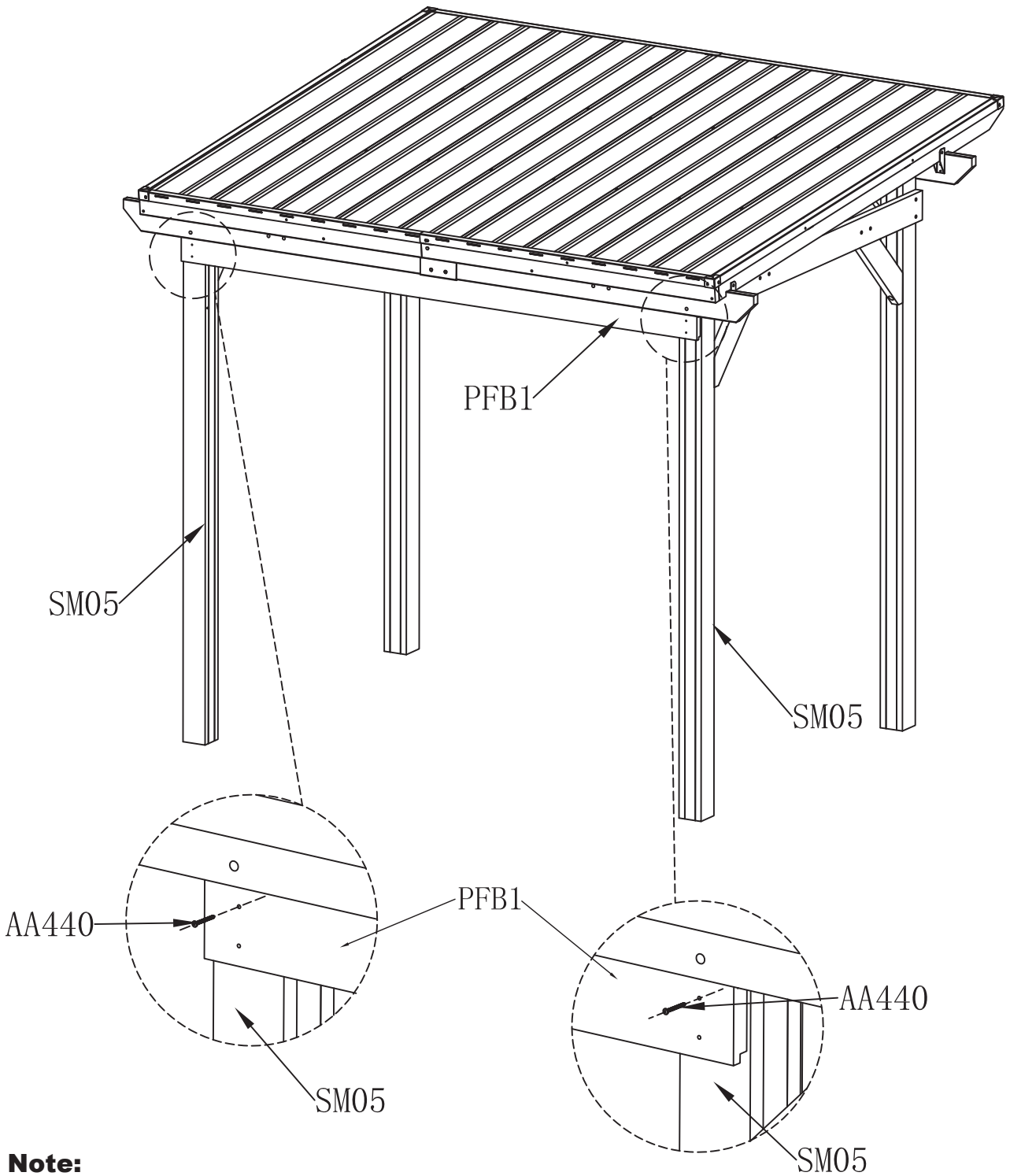
# STEP. 20



**Note:**

Measure the distance between Posts (SM05), Leave enough space of installation for counter (Y4).

# STEP. 21



**Note:**

Elevate part (PFB1) vertically, then torque the top Screw (AA440) .



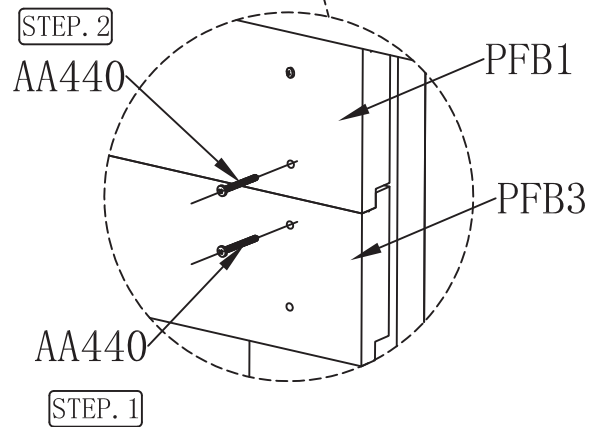
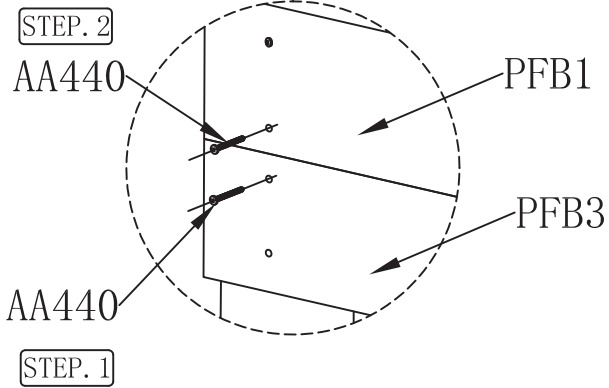
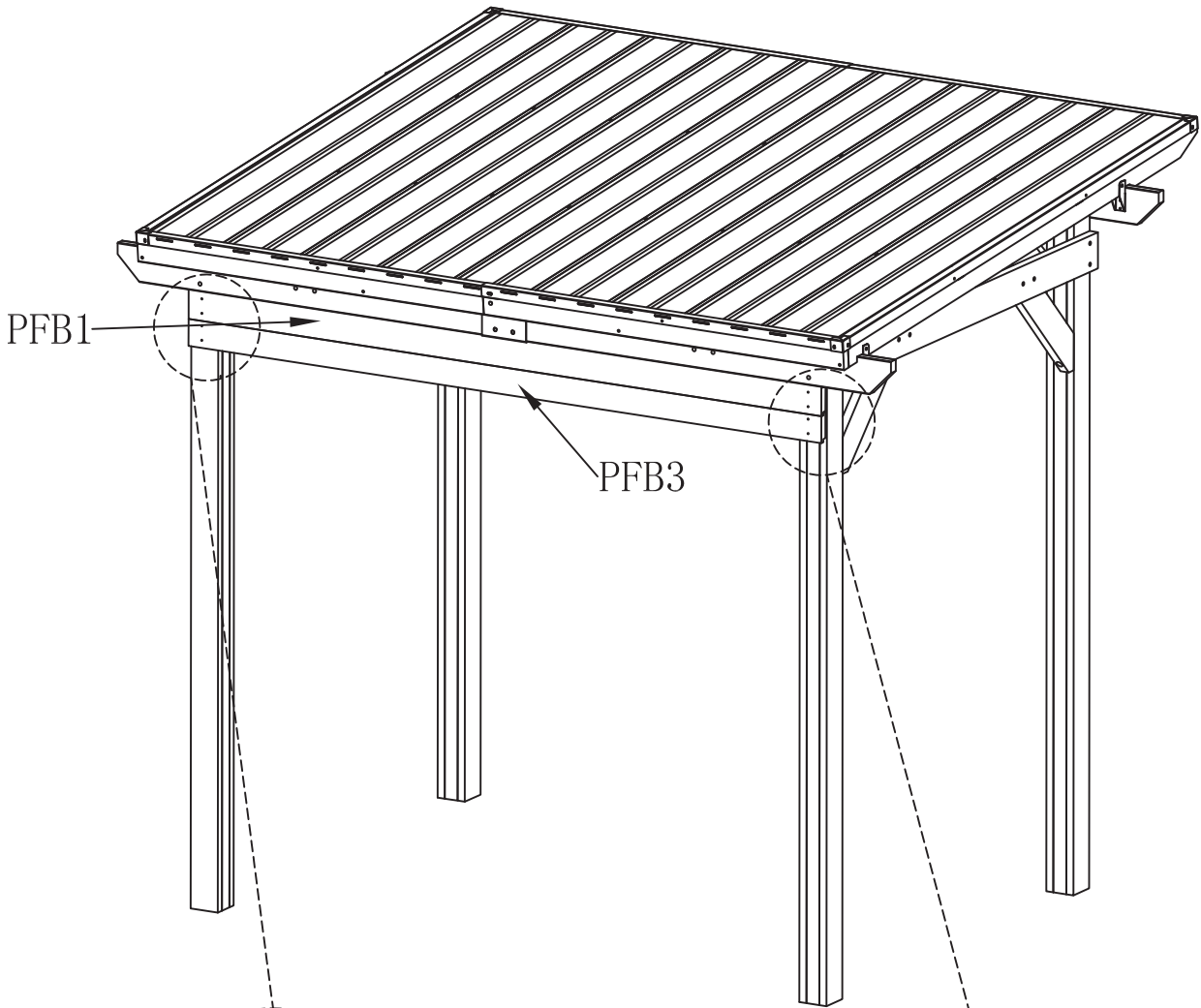
PFB1 1X



M4\*40

AA440 2X

# STEP. 22



**Note:**

Elevate **Part (PFB3)** vertically until top edge contacts the upper board, then torque **Screws (AA440)** in sequence as indicated in the diagram.



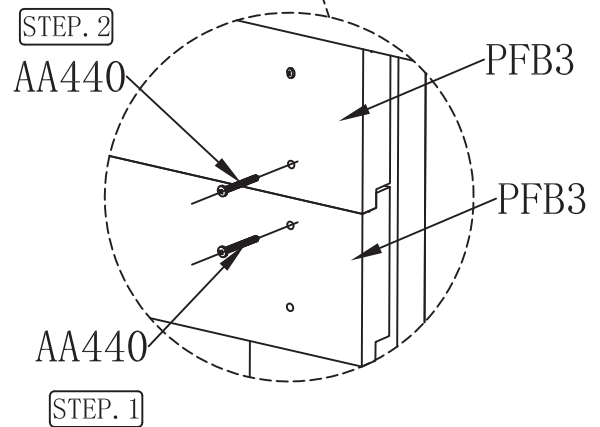
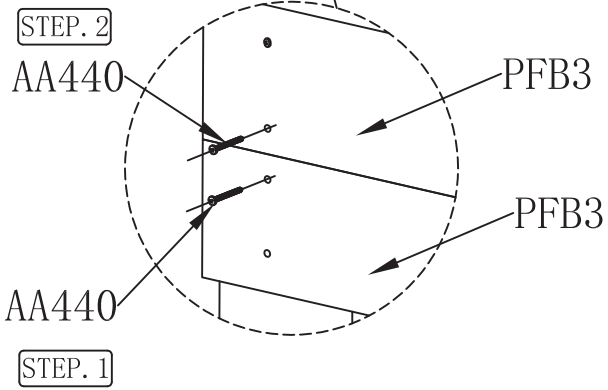
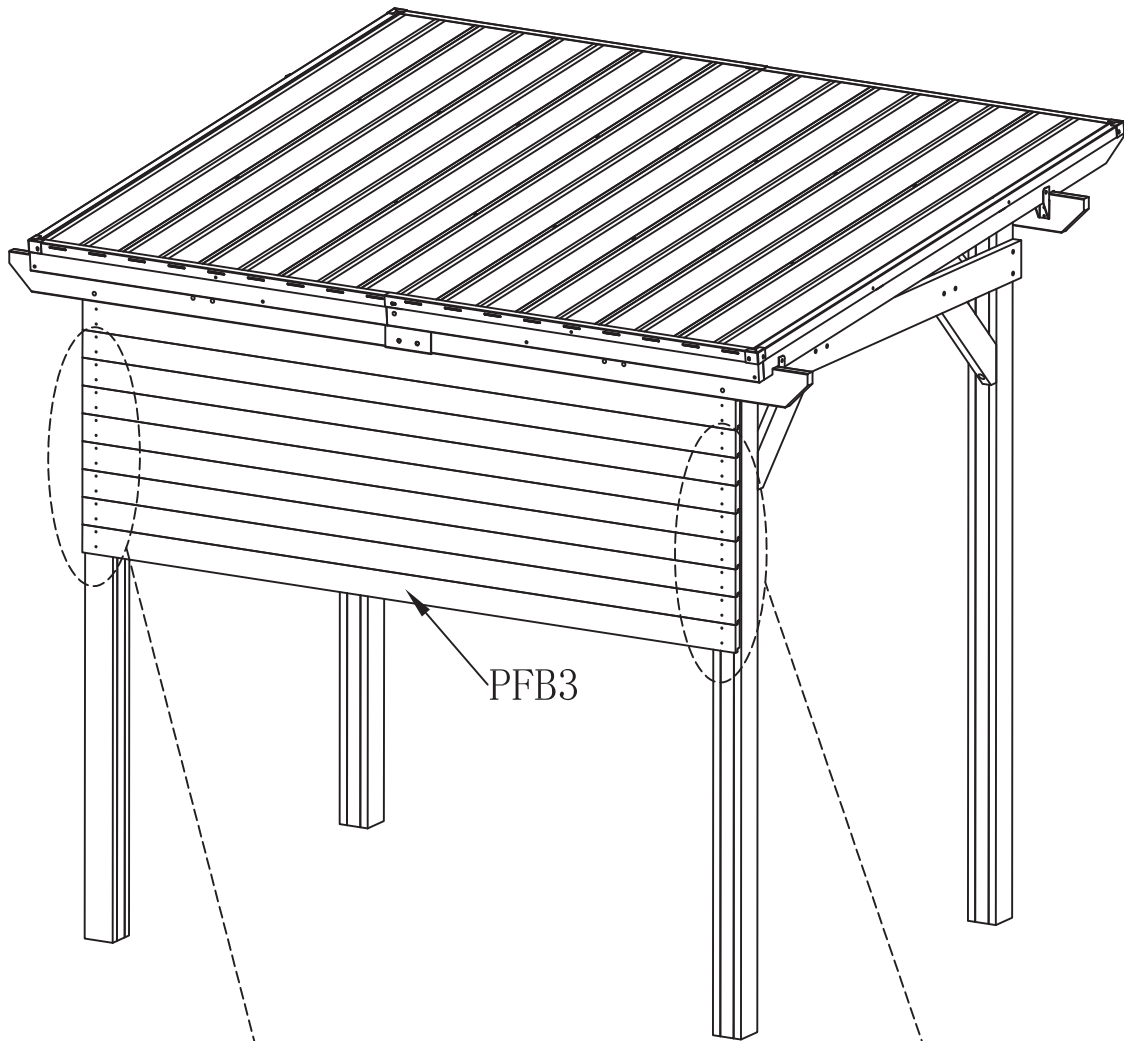
PFB3 1X



M4\*40

AA440 4X

# STEP. 23



**Note:**

Elevate **(PFB3)** vertically until the top edge contacts the upper board, then torque **Screws (AA440)** in sequence as indicated in the diagram.



(PFB3) 7X

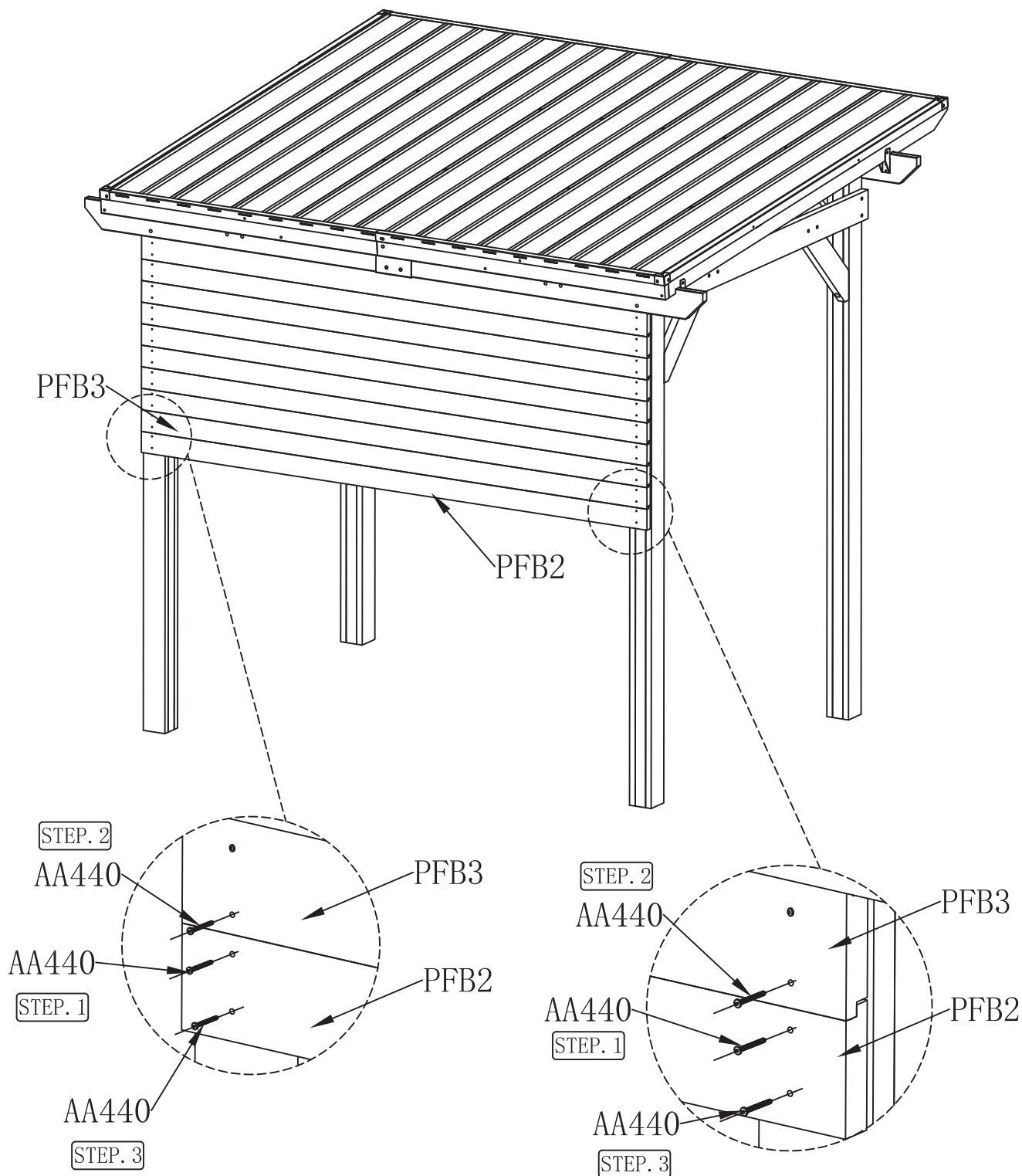


M4\*40

AA440

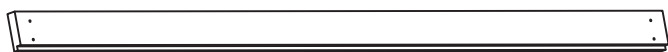
28X

# STEP. 24



**Note:**

Elevate **(PFB2)** vertically until the top edge contacts the upper board, then torque **Screws (AA440)** in sequence as indicated in the diagram.



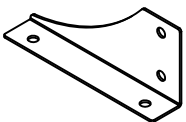
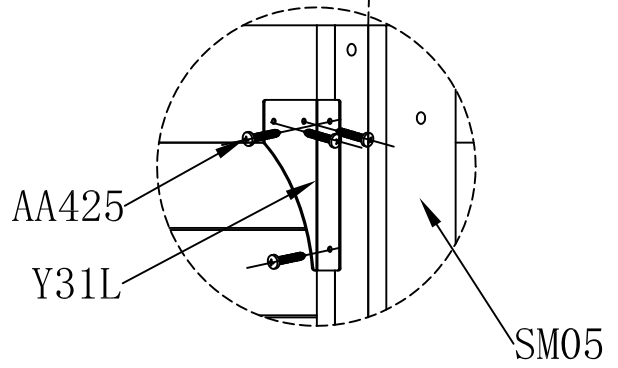
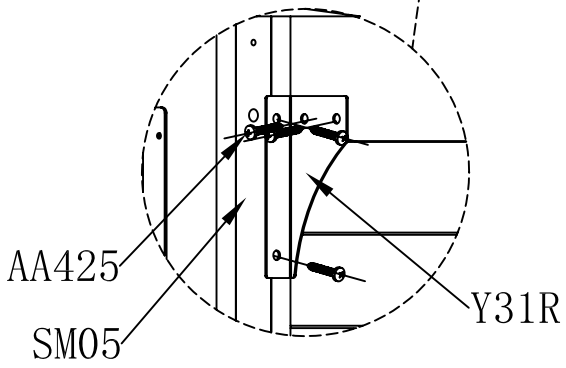
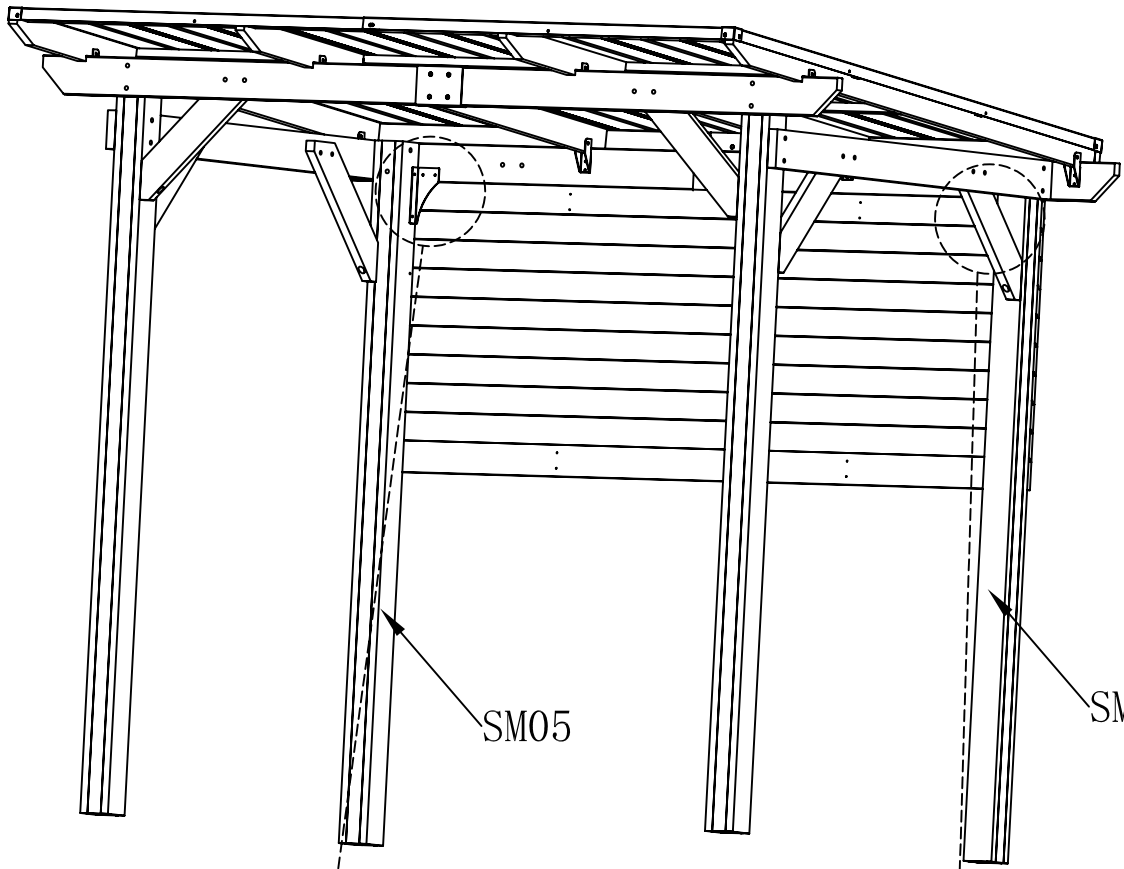
(PFB2) 1X



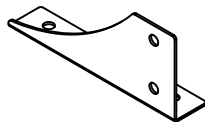
M4\*40

AA440 6X

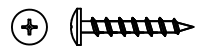
# STEP. 25



Y31L 1X



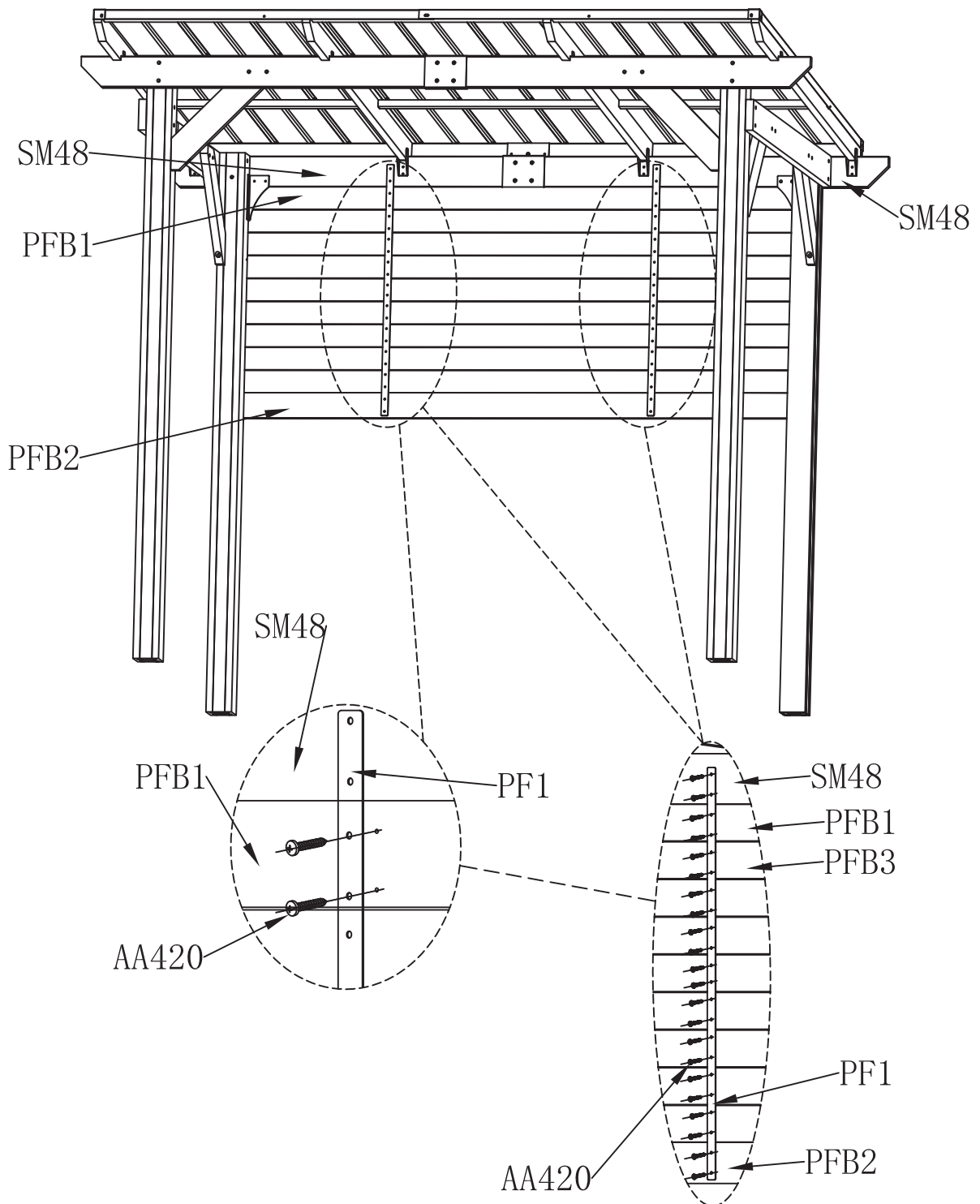
Y31R 1X



M4\*25

AA425 8X

# STEP. 26



**Note:**

Locate the locating holes on **Part (PFB1) and (PFB2)**, then torque **Screw (AA420)** in sequence.



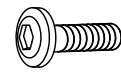
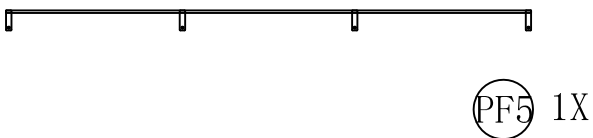
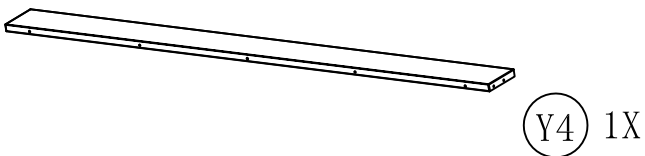
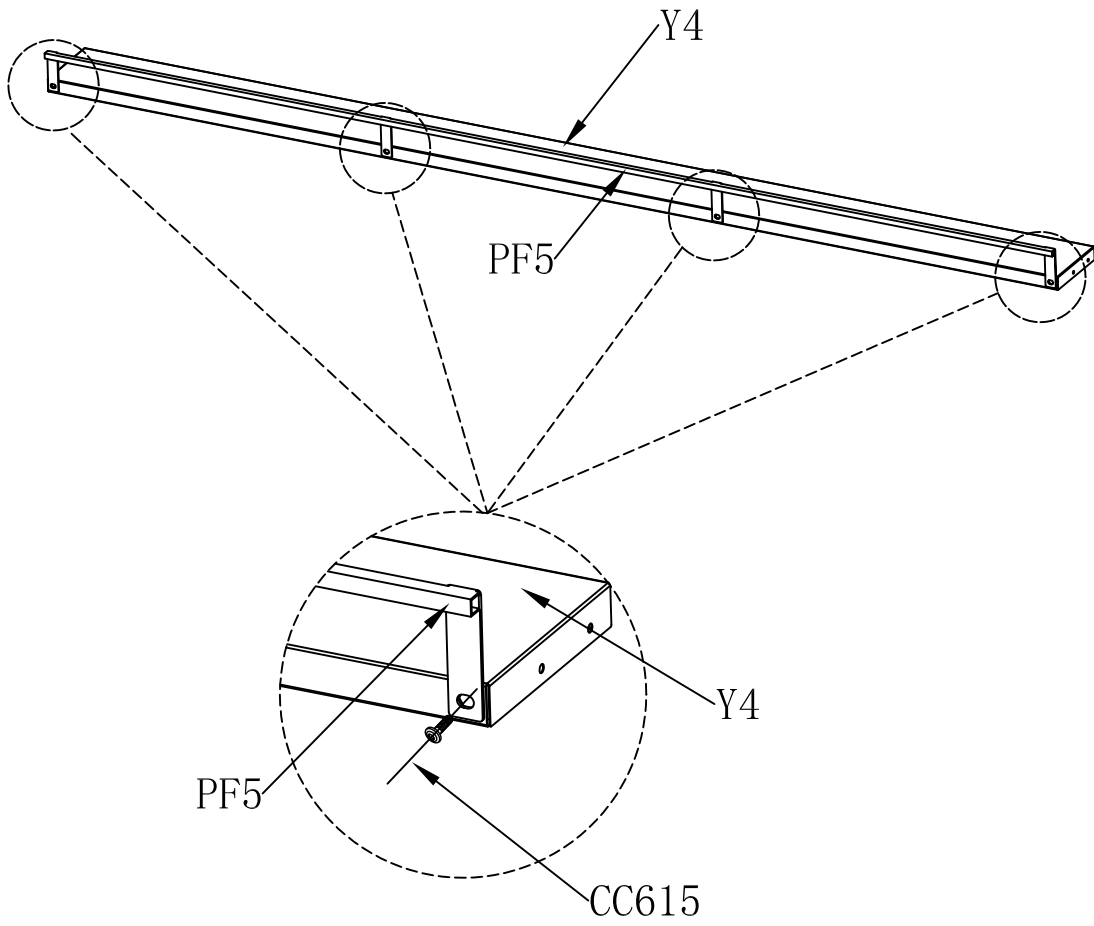
Ⓟ PF1 2X



M4\*20

AA420 44X

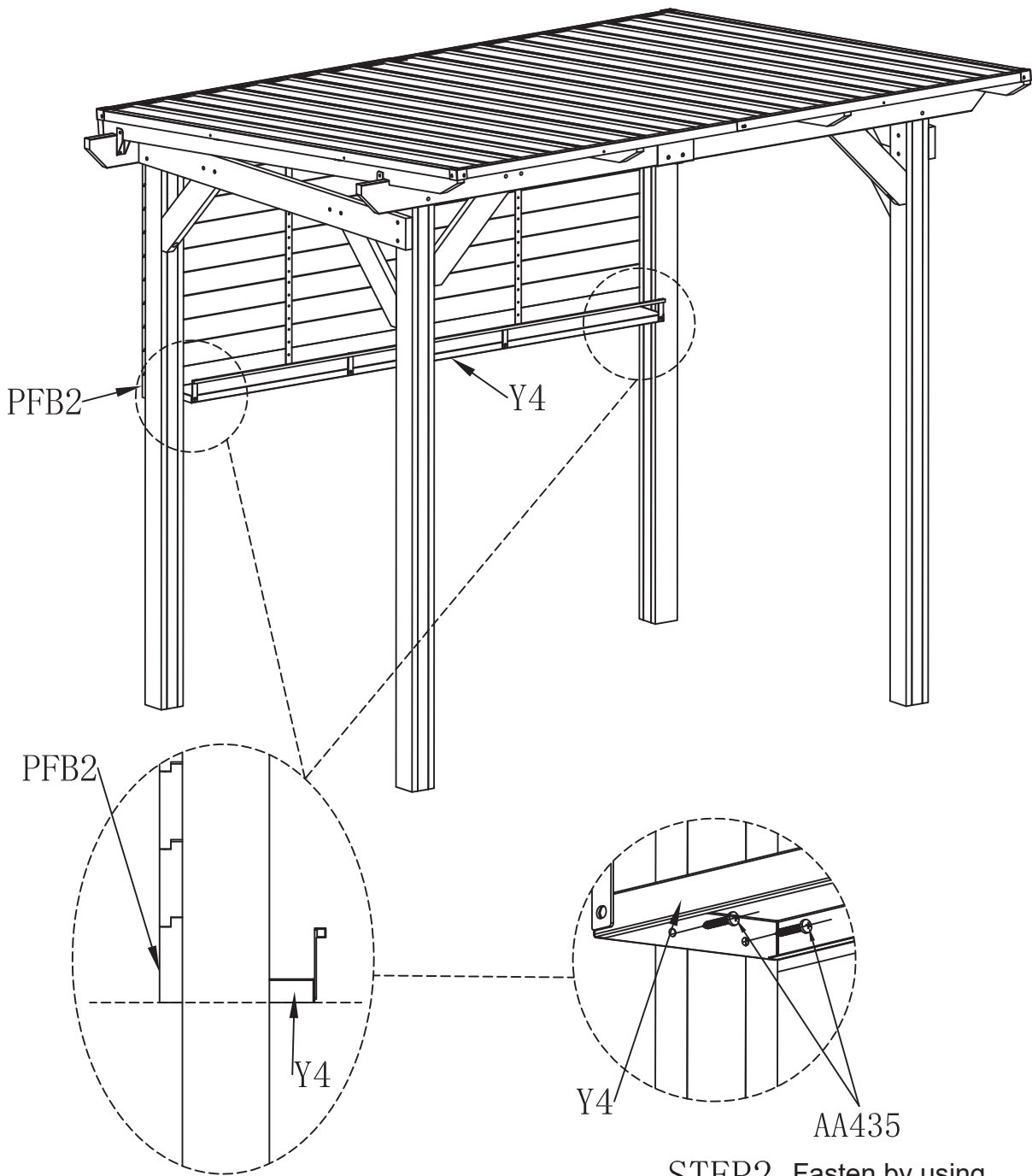
# STEP. 27



M6\*15

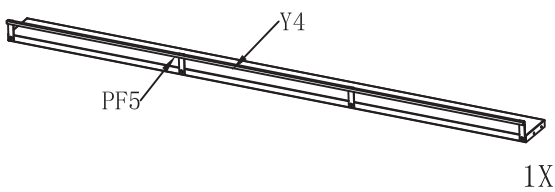
CC615 4X

# STEP. 28



**STEP1:** Align **PART (PFB2)** and **counter (Y4)** Precisely.

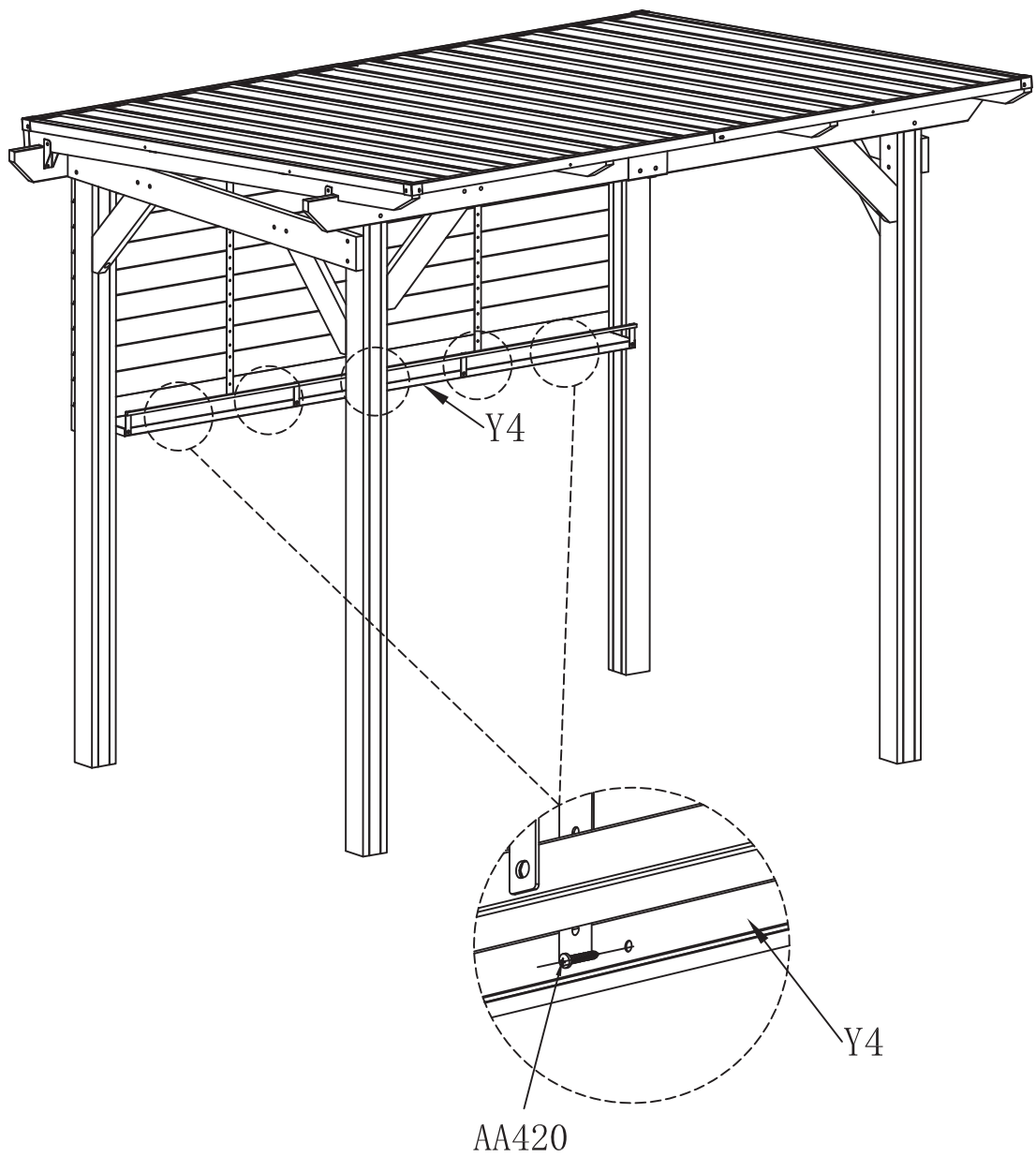
**STEP2** Fasten by using **Screws (AA435)**.



M4\*35

AA435 4X

# STEP. 29



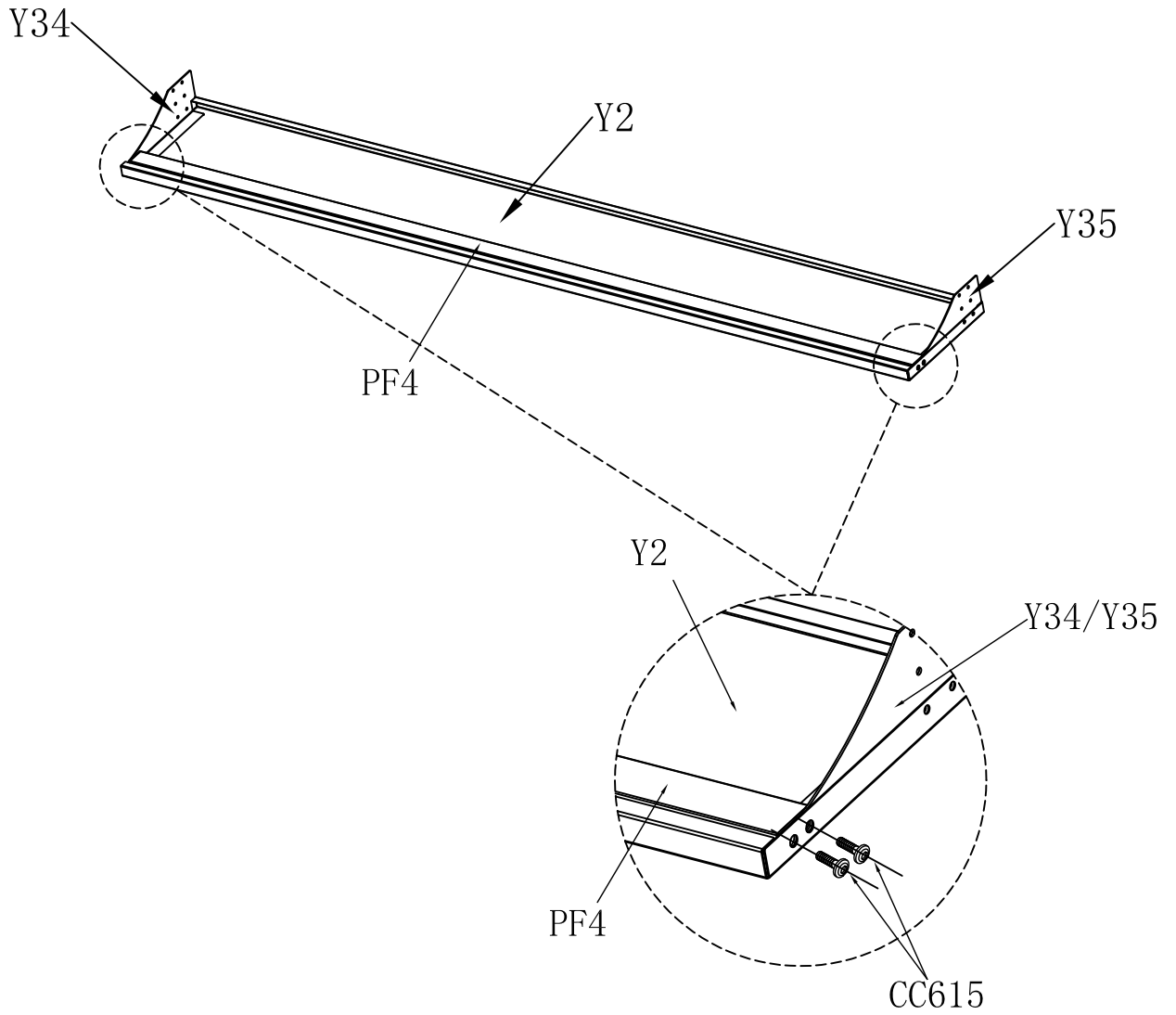
Secure underside of **bar counter (Y4)** with **screws(AA420)**.



M4\*20

AA420 5X

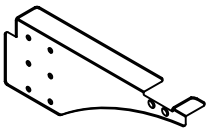
# STEP. 30



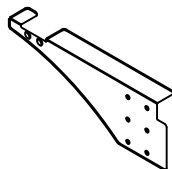
PF4 1X



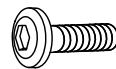
Y2 1X



Y34 1X



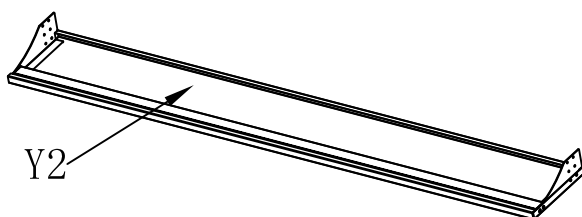
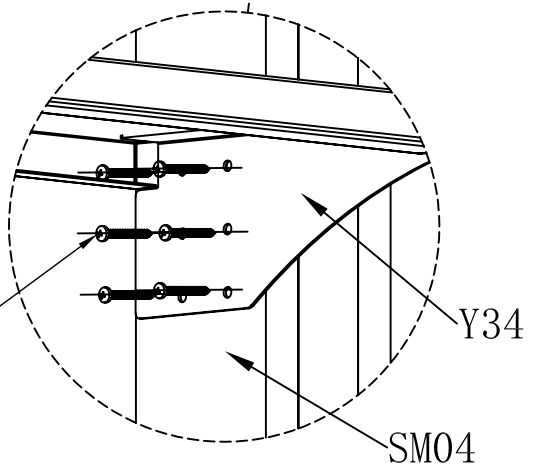
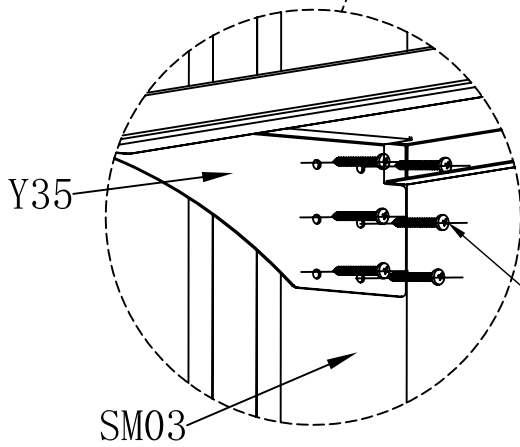
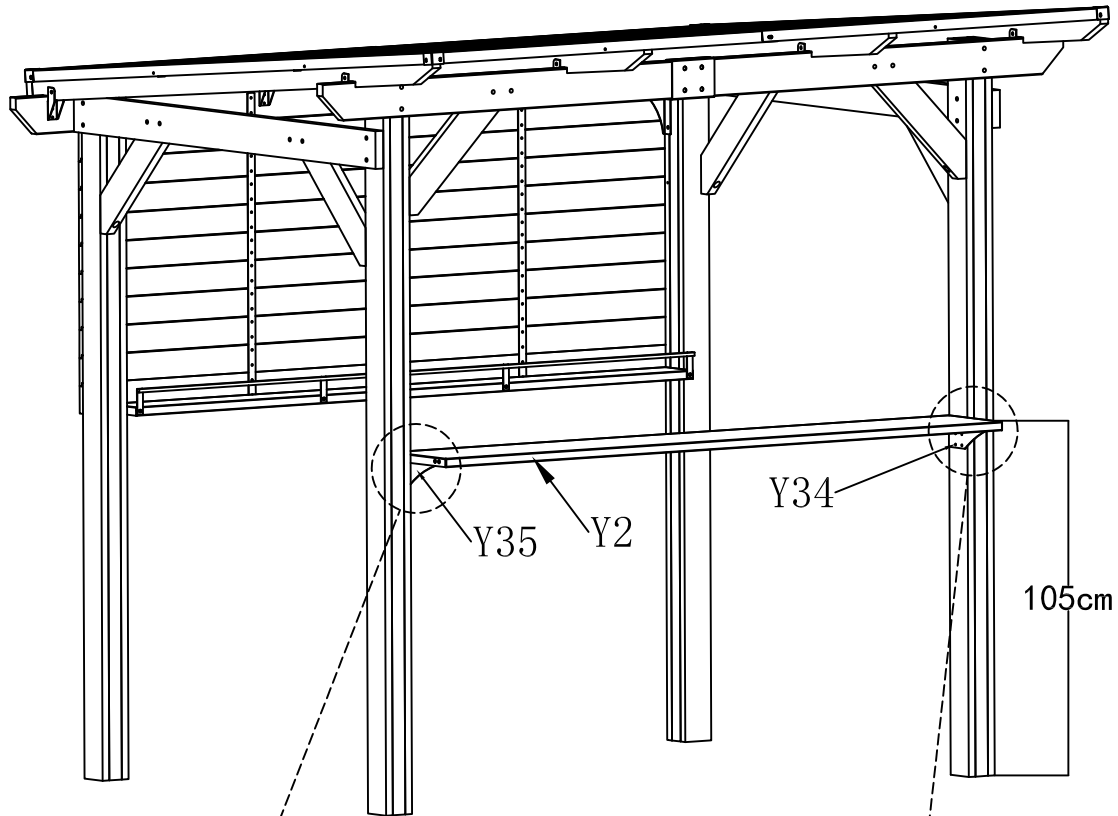
Y35 1X



M6\*15

CC615 4X

# STEP. 31



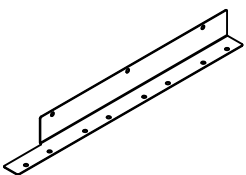
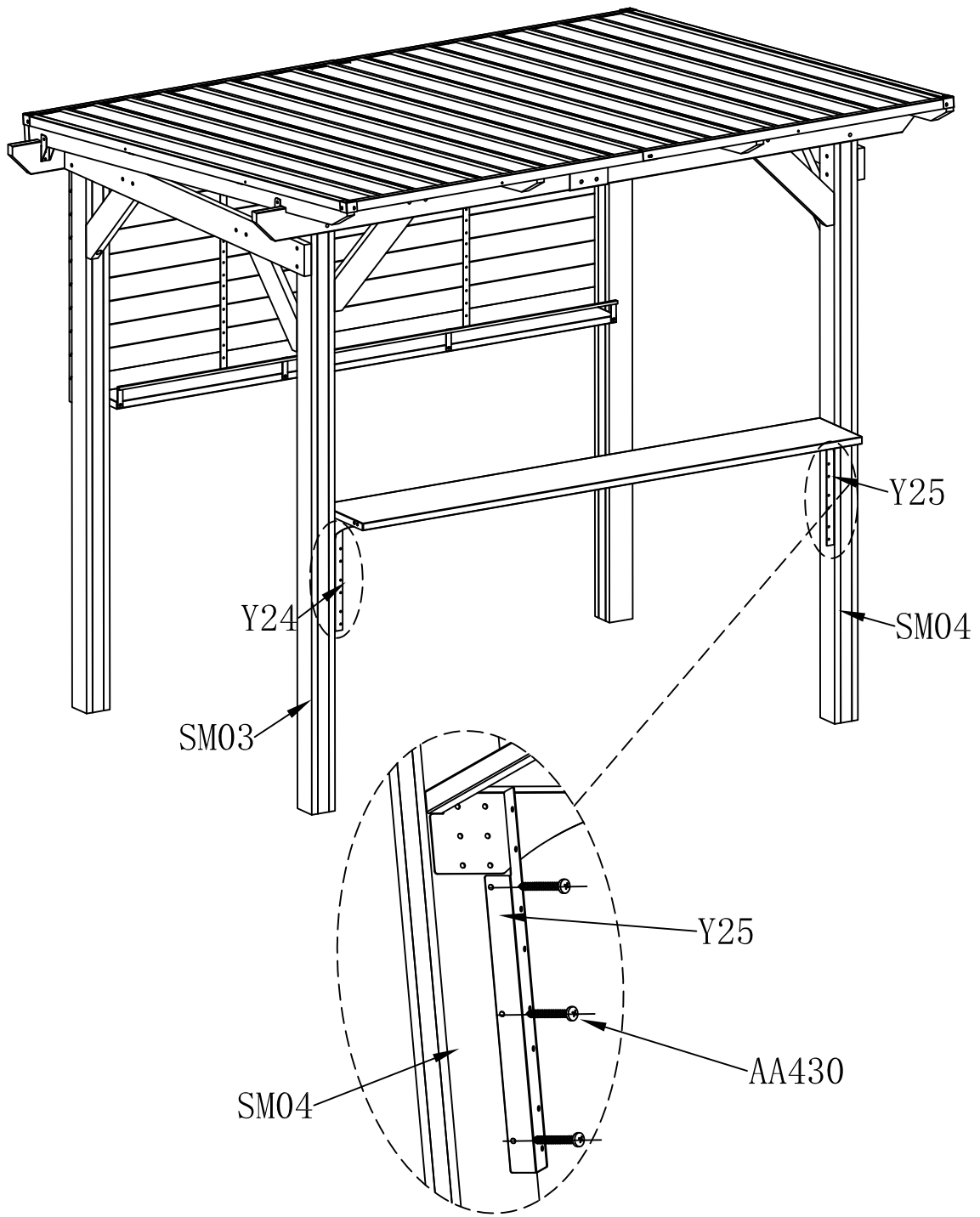
1X



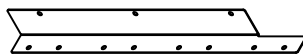
M4\*35

AA435 12X

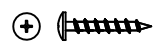
# STEP. 32



Y24 1X



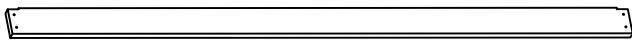
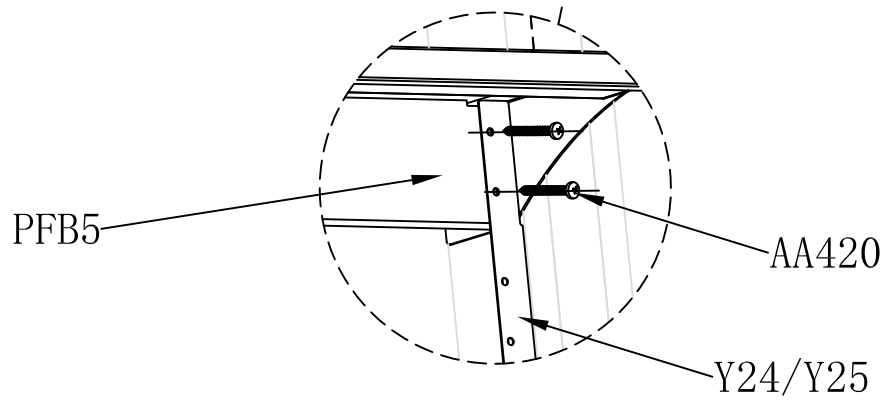
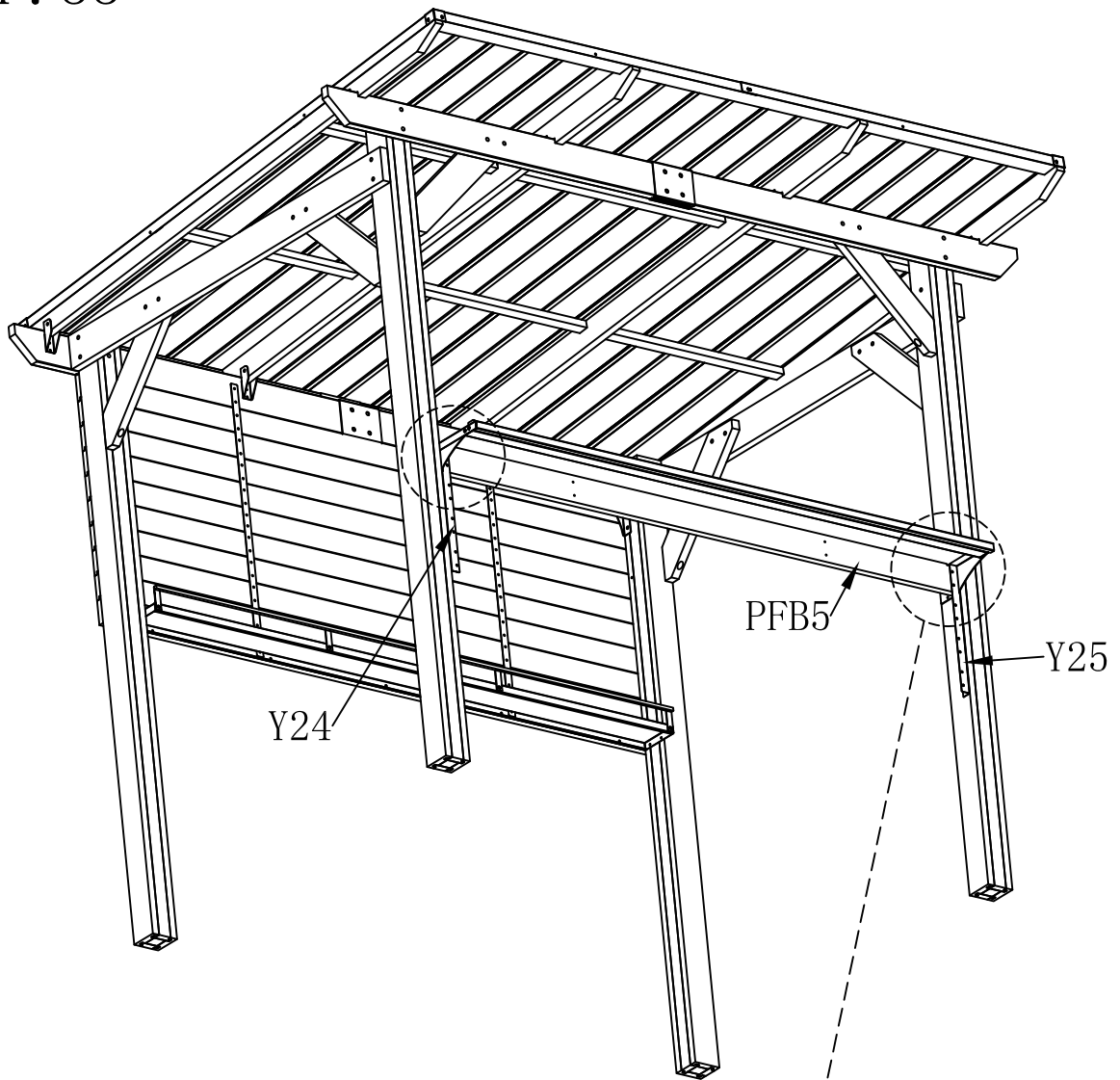
Y25 1X



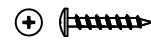
M4\*30

AA430 6X

# STEP. 33



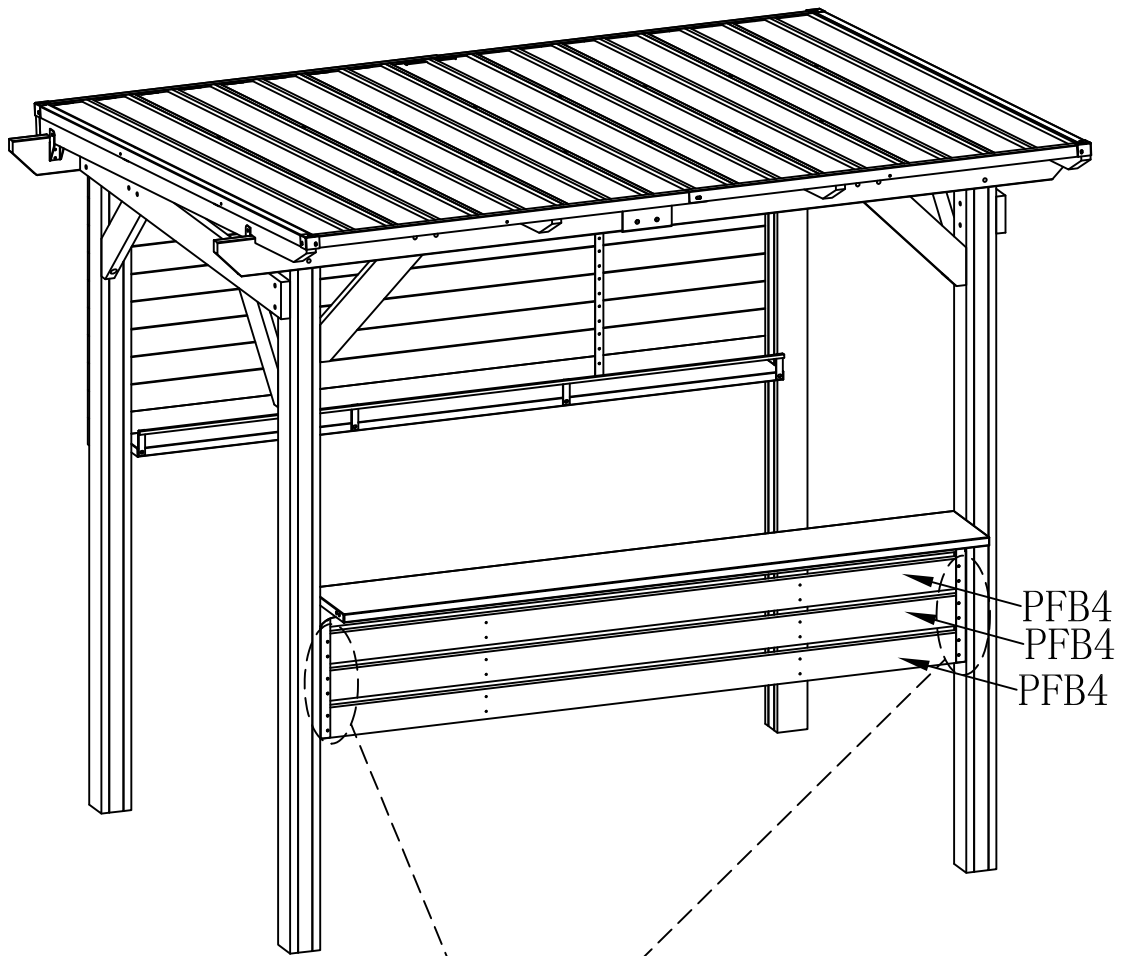
**PFB5** 1X



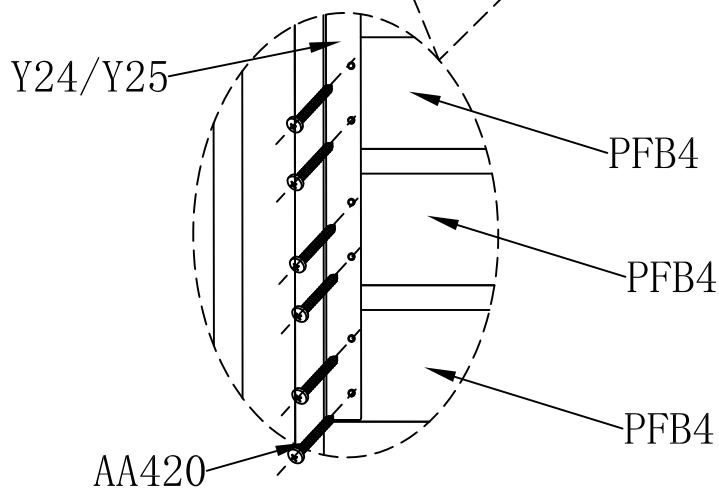
M4\*20

AA420 4X

# STEP. 34



PFB4  
PFB4  
PFB4



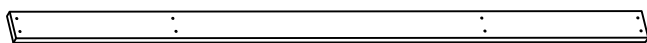
Y24/Y25

PFB4

PFB4

PFB4

AA420



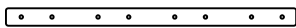
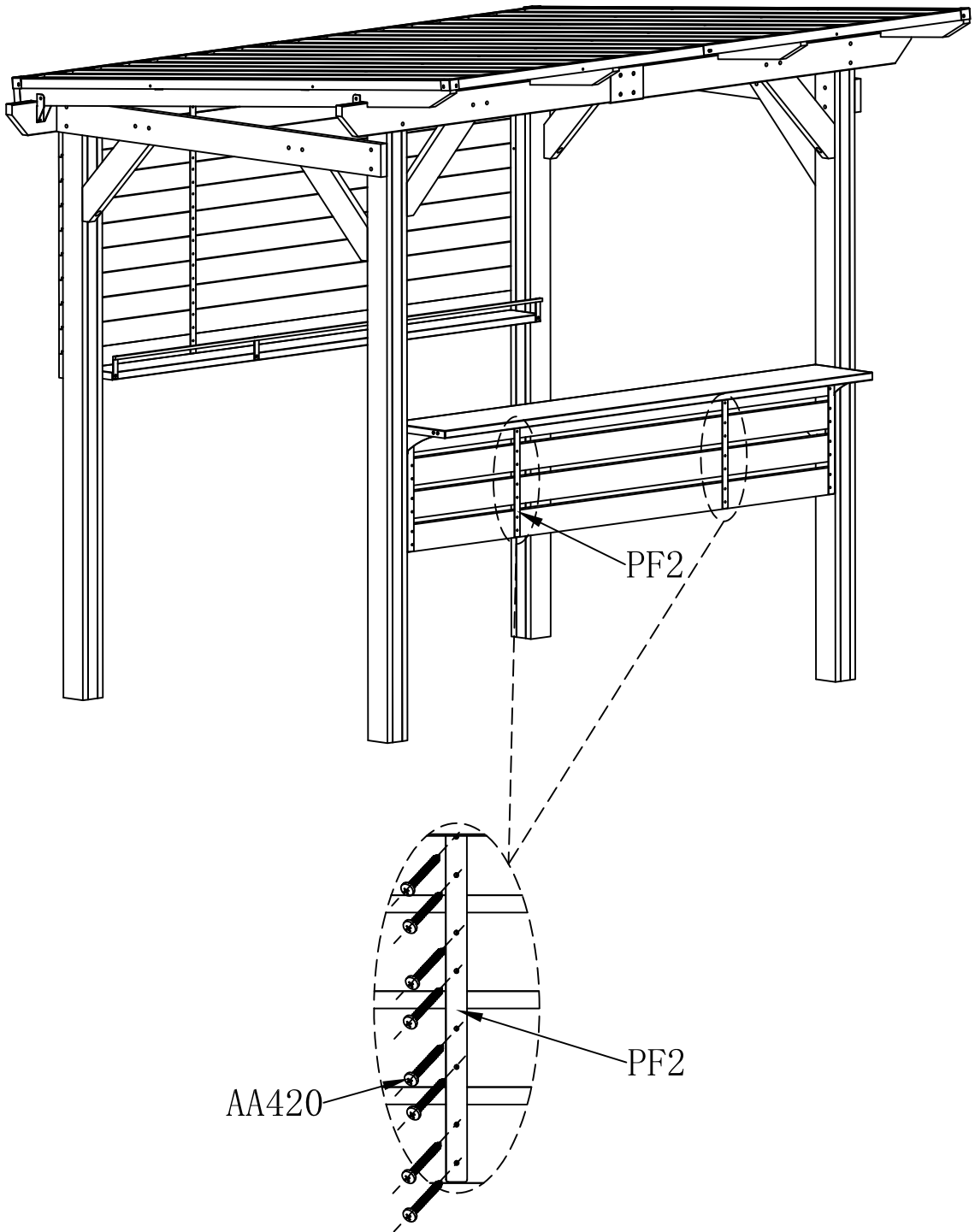
PFB4 3X



M4\*20

AA420 12X

# STEP. 35



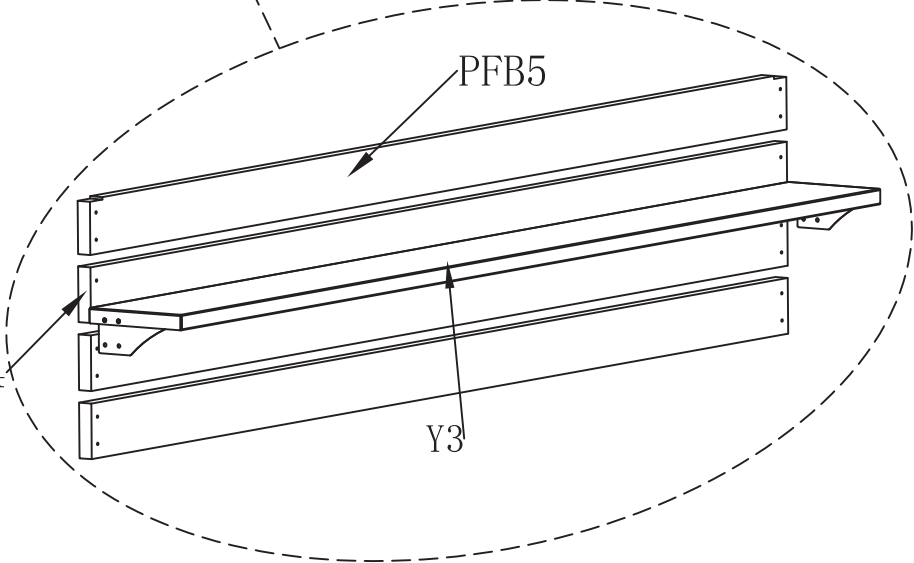
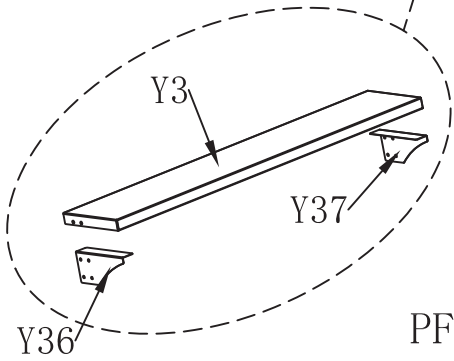
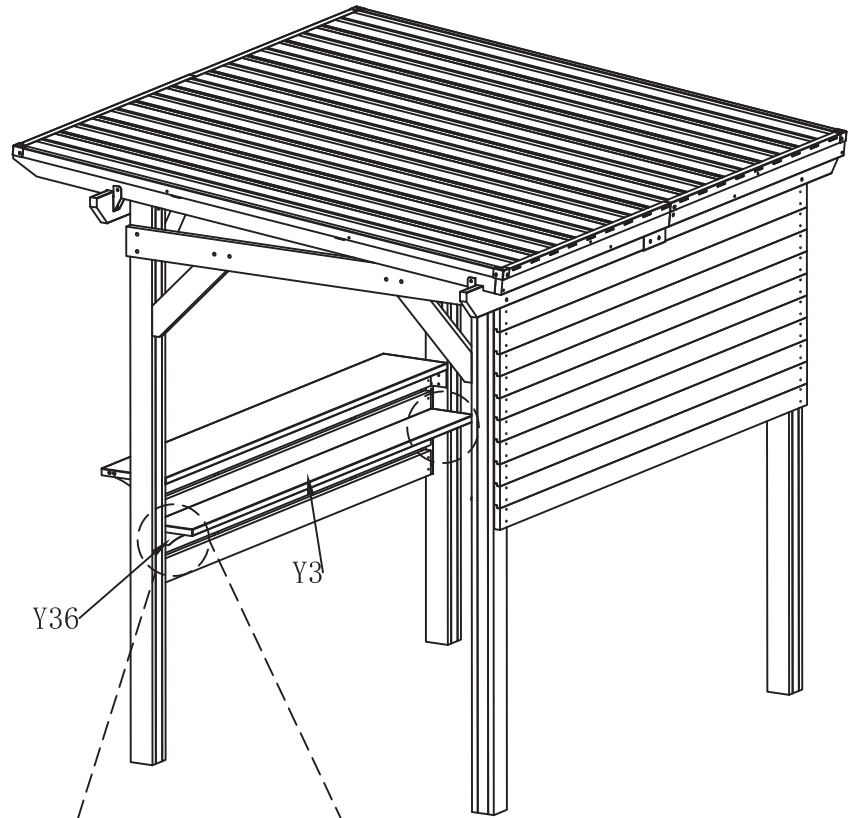
PF2 2X



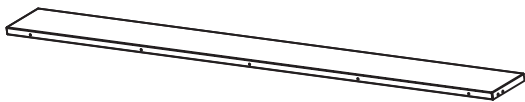
M4\*20

AA420 16X

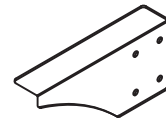
# STEP. 36



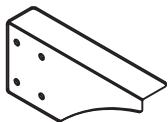
Bar counter (Y3) designated location



(Y3) 1X

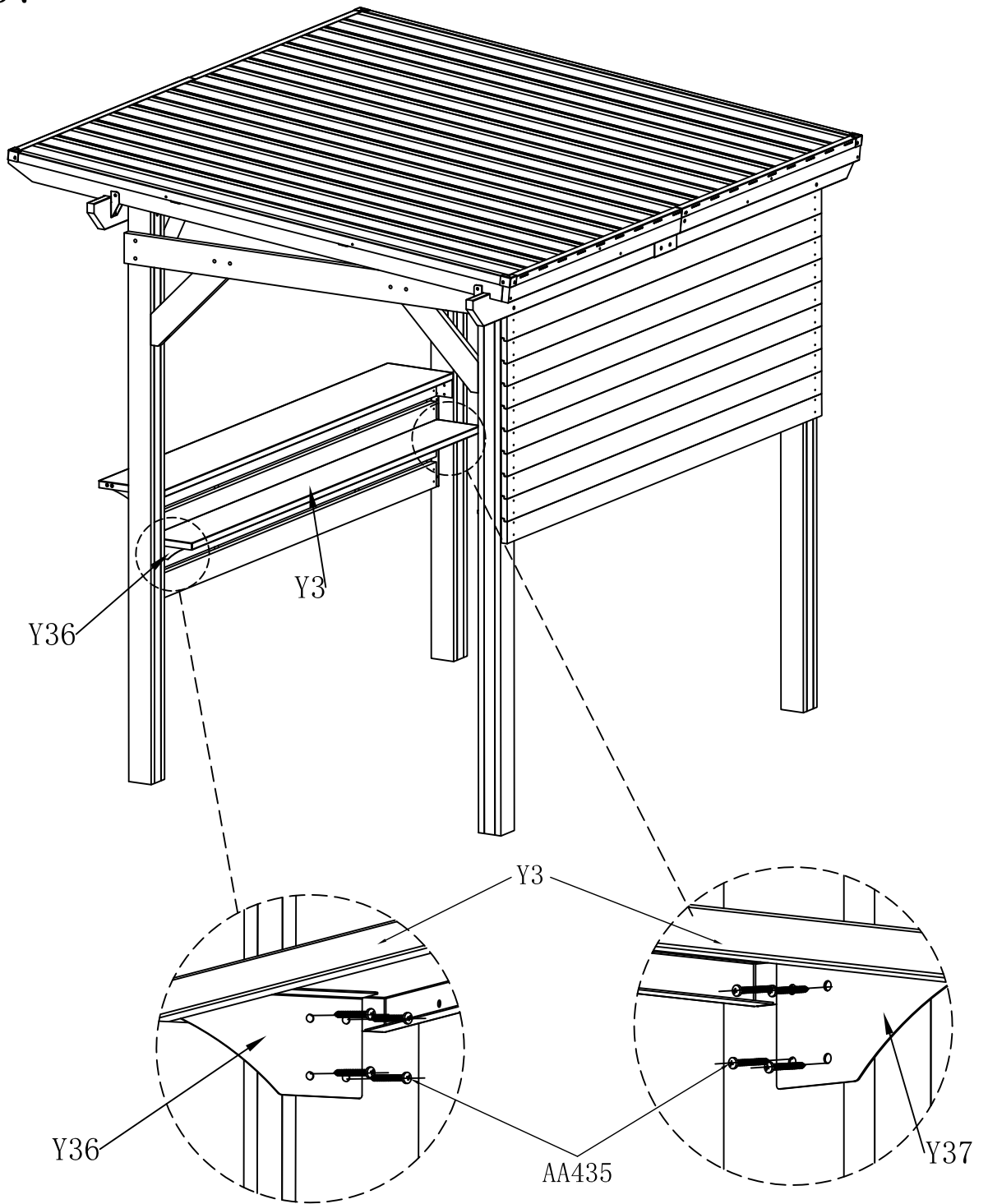


(Y36) 1X



(Y37) 1X

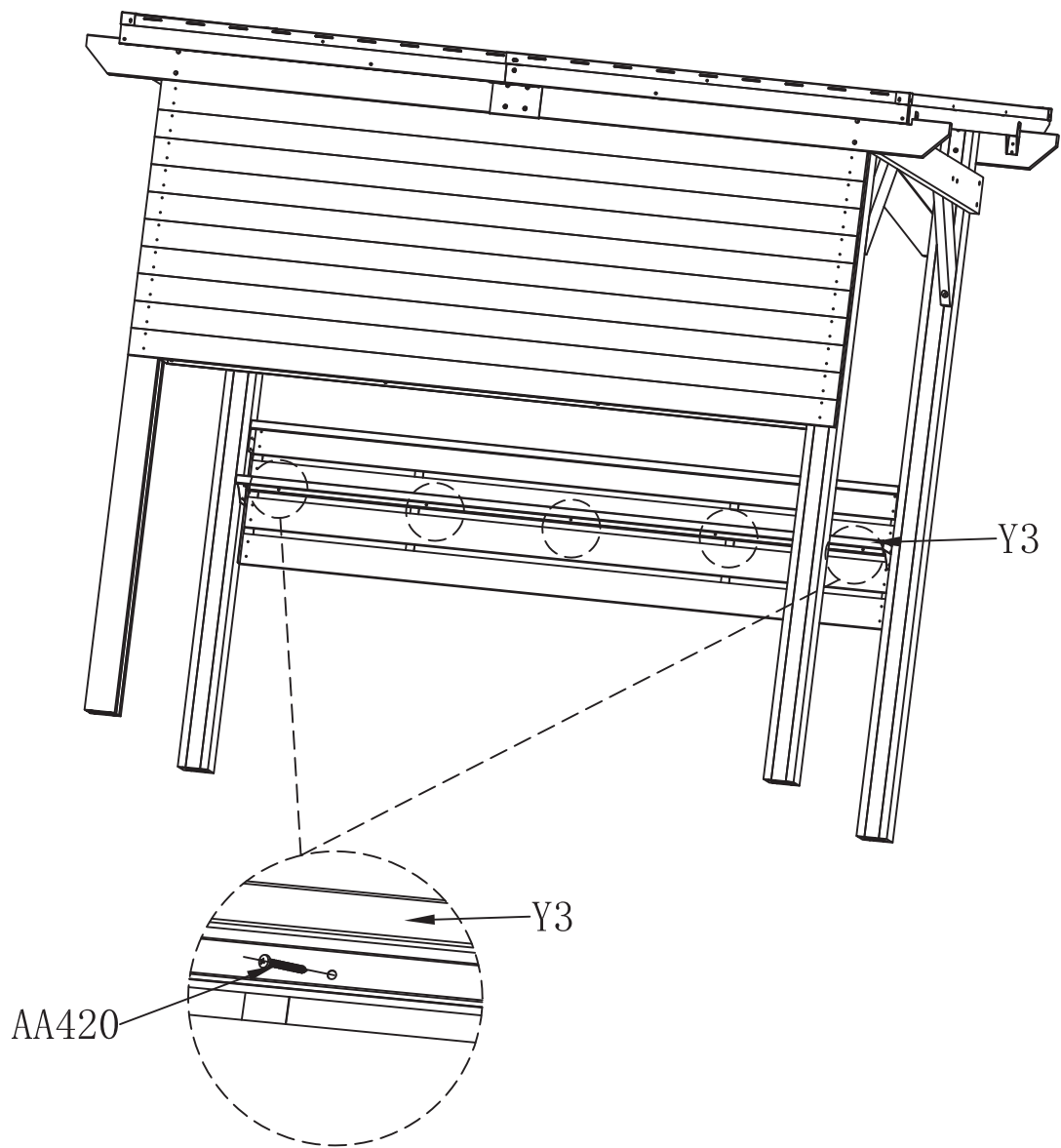
# STEP. 37



M4\*35

AA435 8X

# STEP. 38



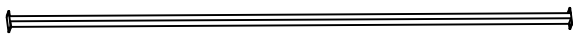
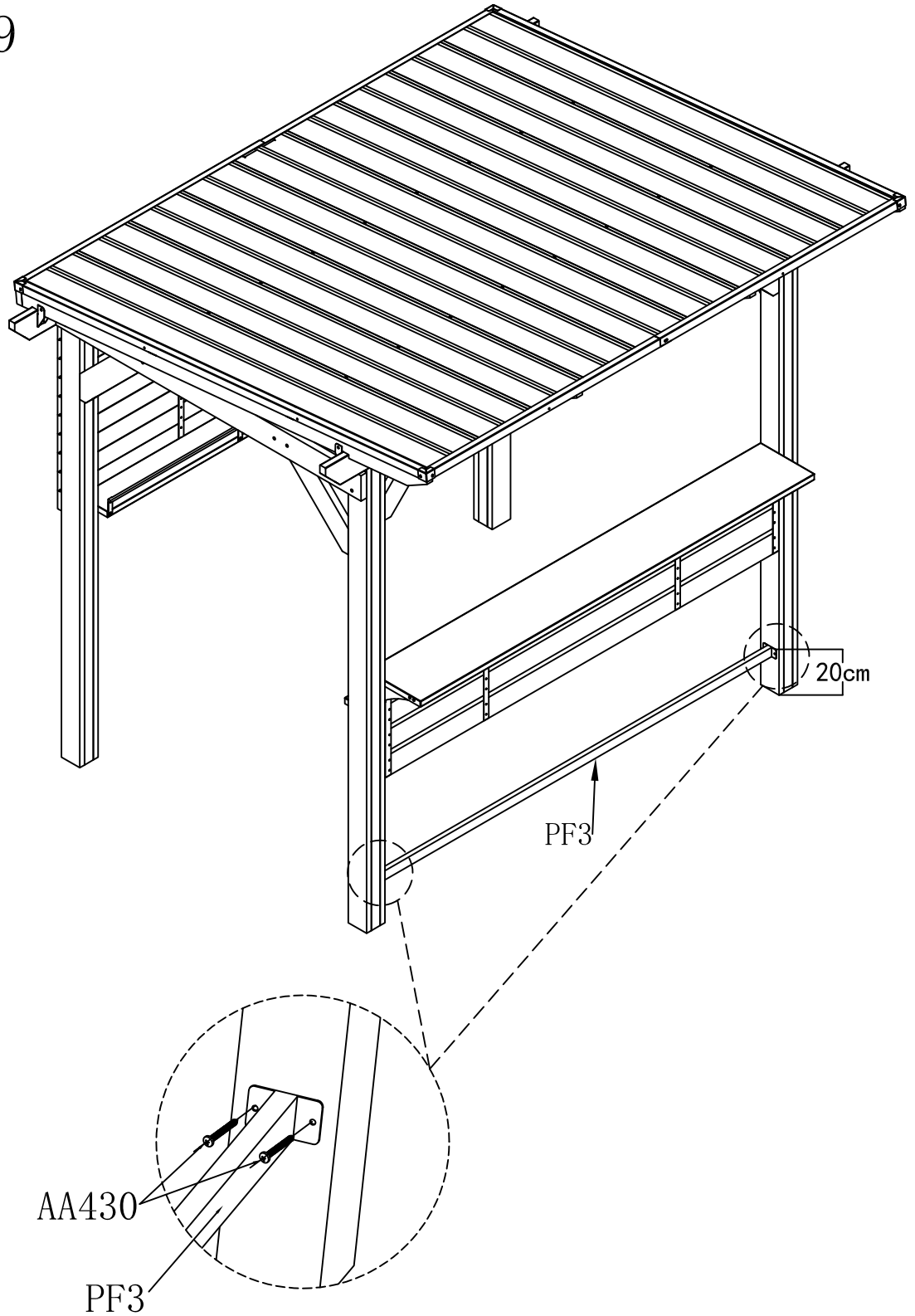
Secure **Bar counter underside(Y3)** with **Screws(AA420)**.



M4\*20

AA420 5X

# STEP. 39



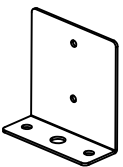
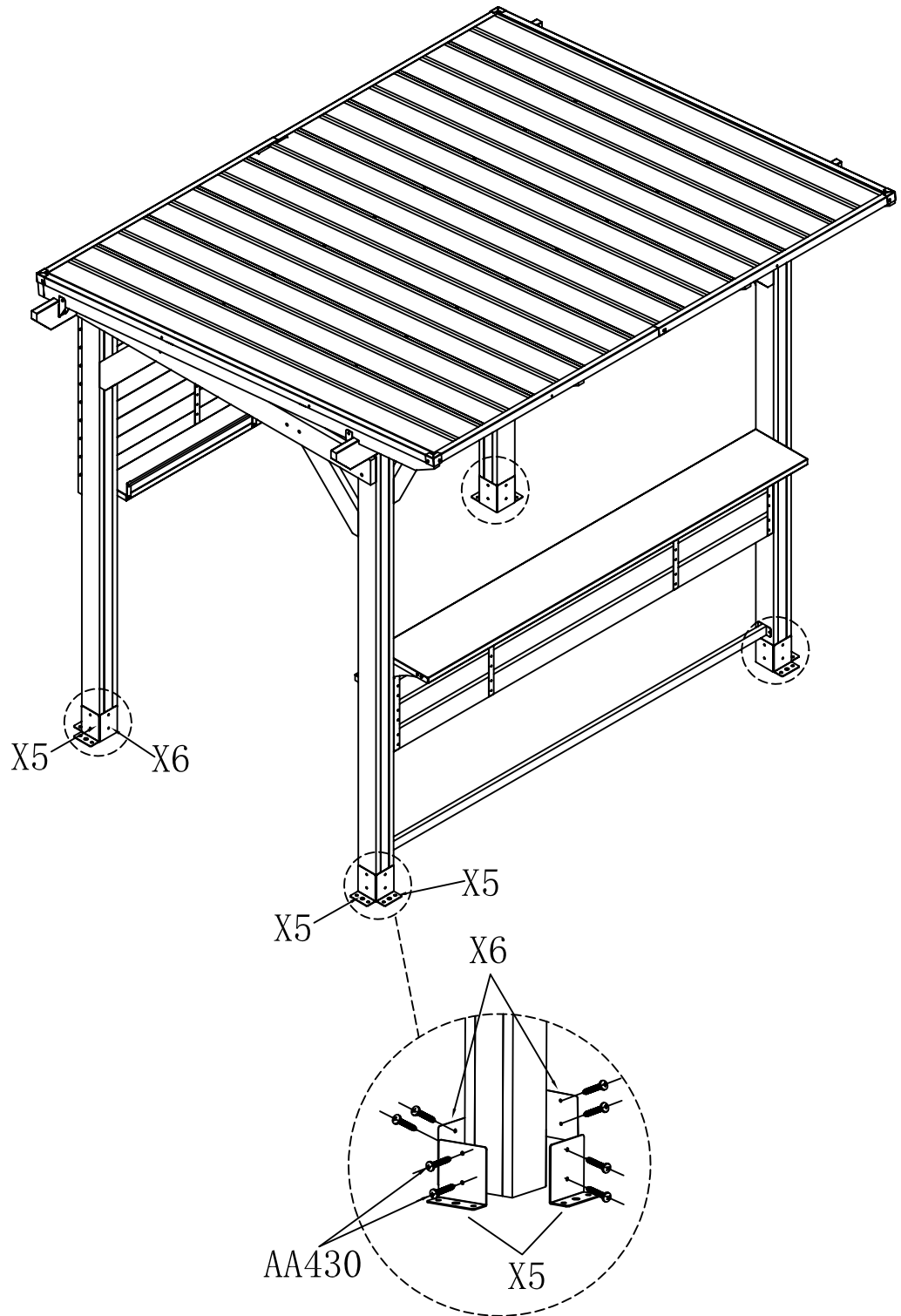
PF3 1X



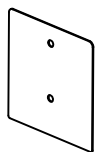
M4\*30

AA430 4X

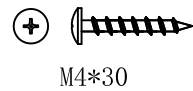
# STEP. 40



X5 8X



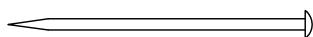
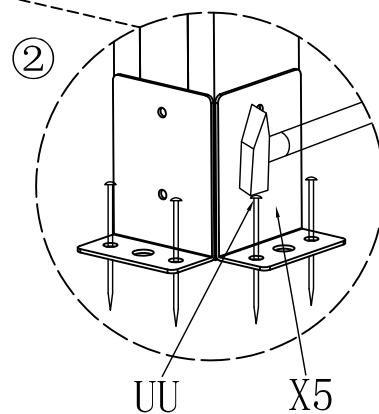
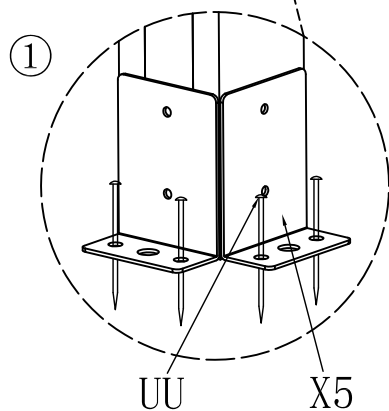
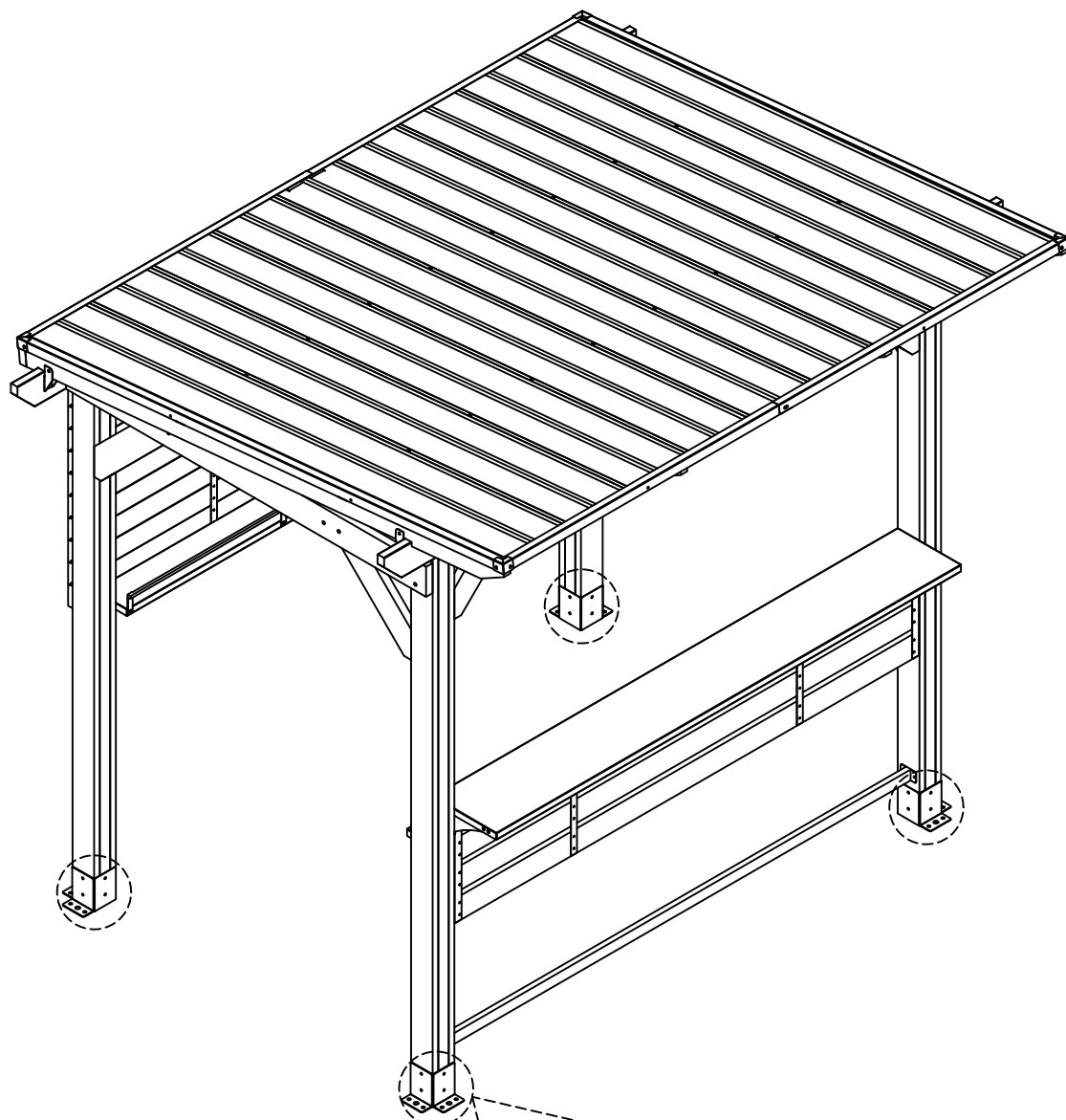
X6 8X



M4\*30

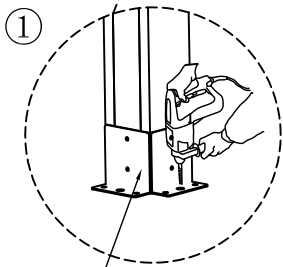
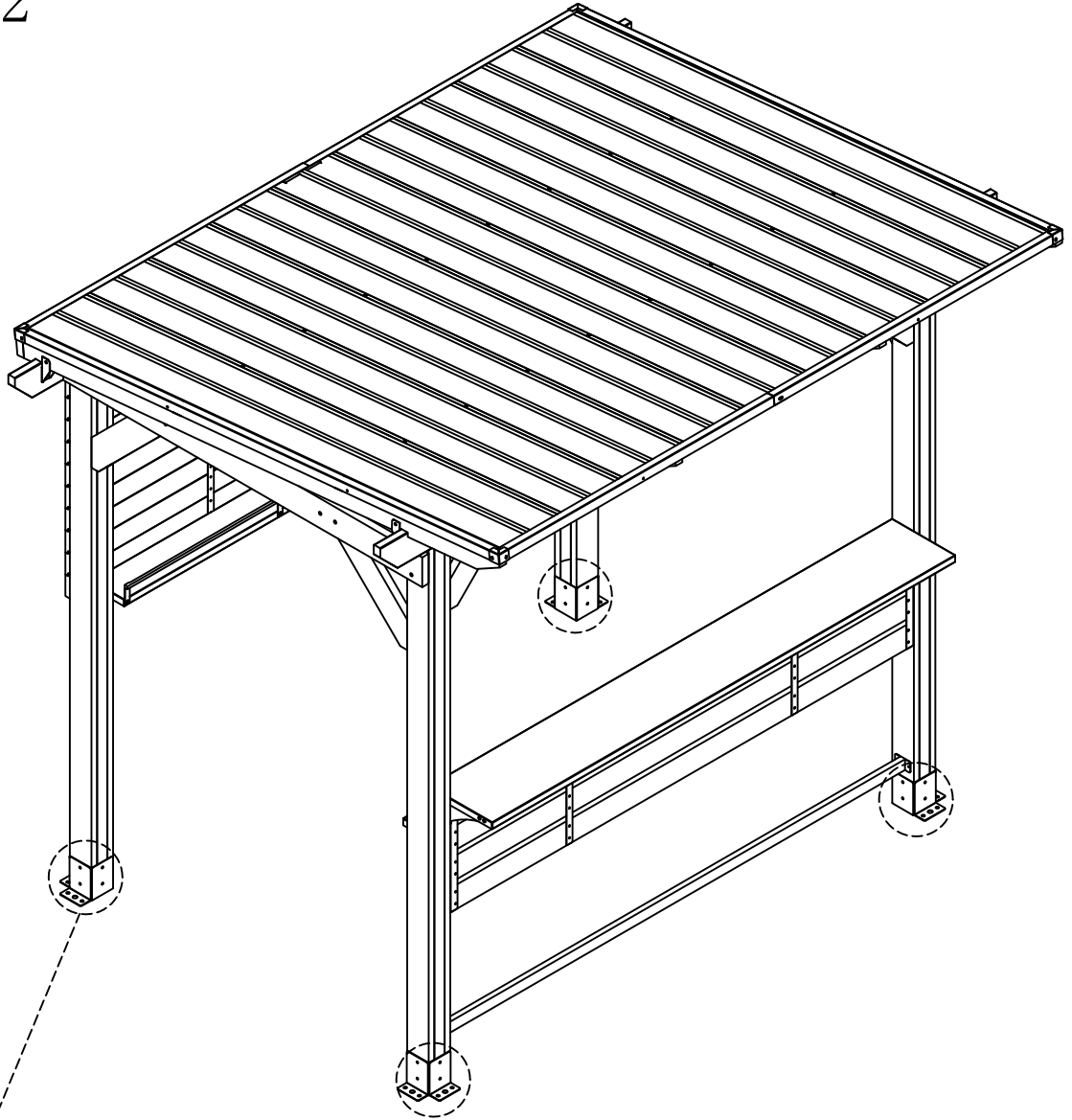
AA430 32X

# STEP. 41

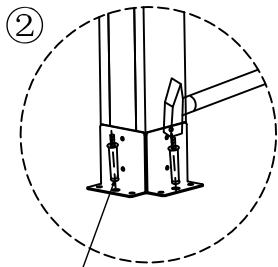


UU 16X

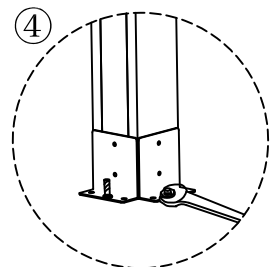
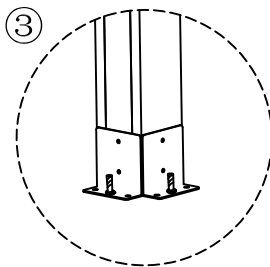
# STEP. 42



X5



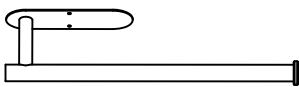
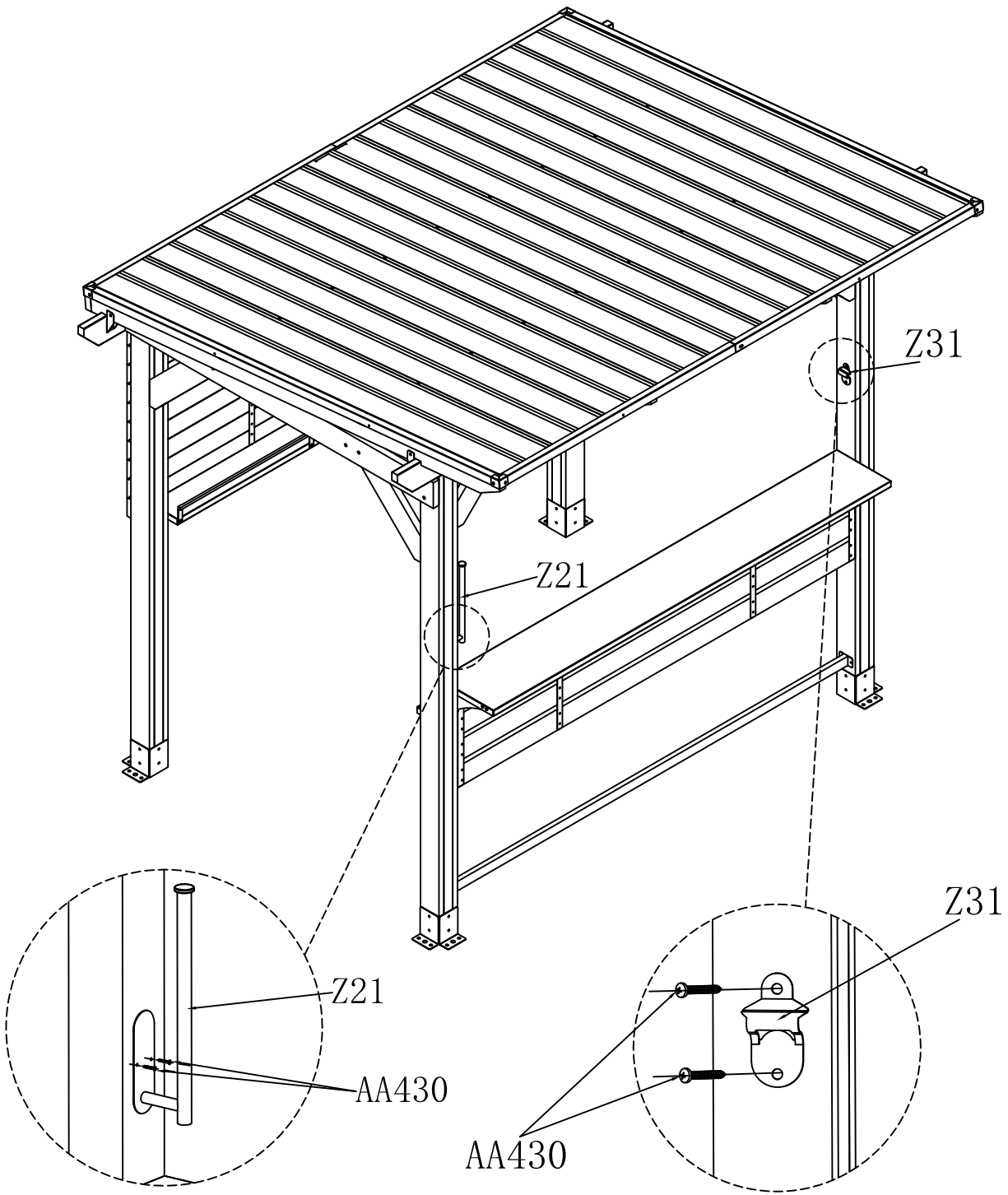
QQ



M10\*80

QQ 8X

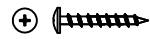
# STEP. 43



(Z21) 1X



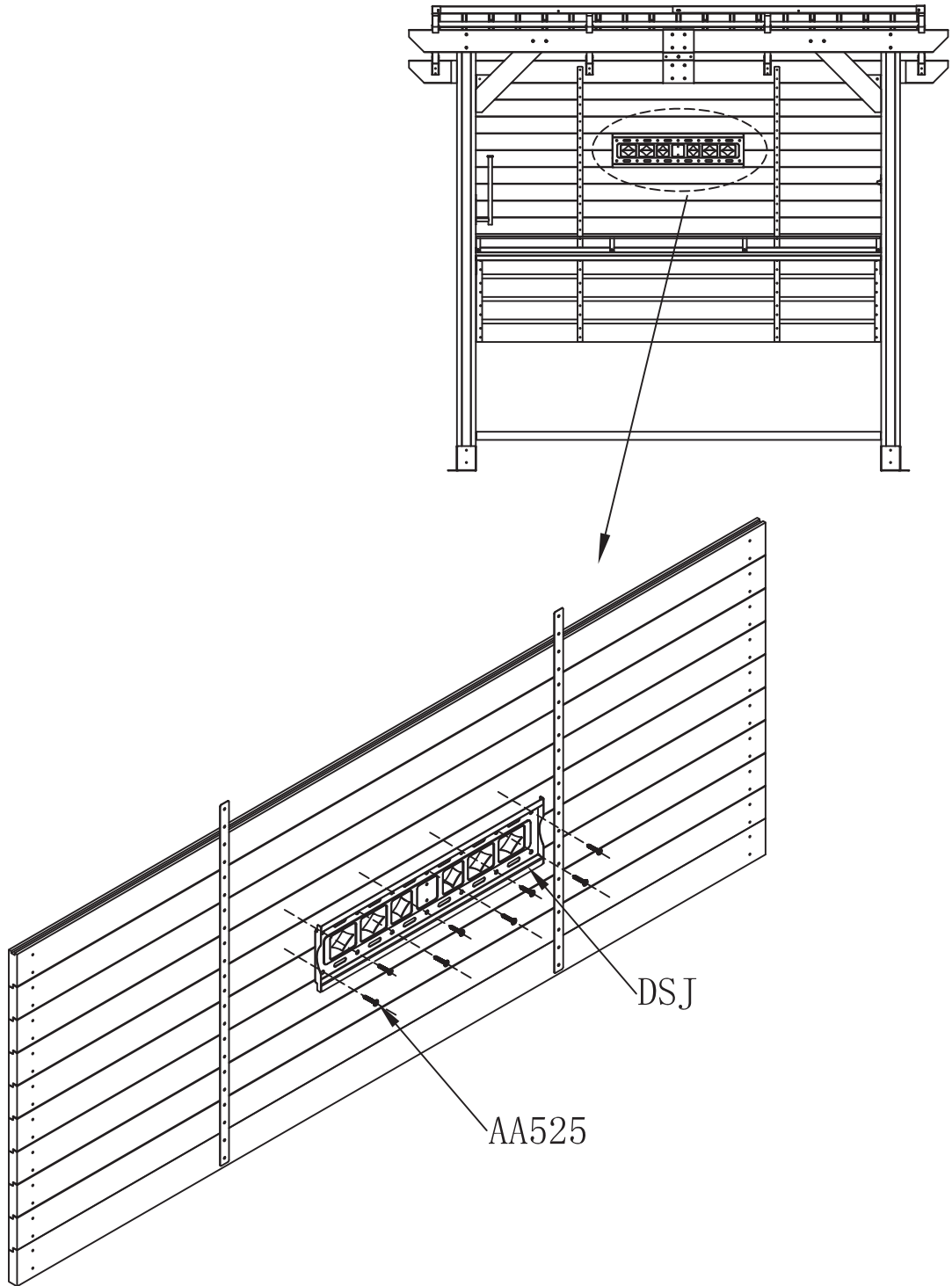
(Z31) 1X



M4\*30

AA430 4X

# STEP. 44

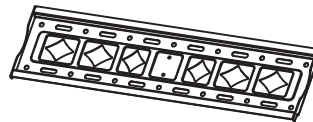


1. Calculate the appropriate installation position for the TV base based on the TV size.
2. Refer to the instruction manual included with the TV mount for other installation steps.



M5\*25

AA525 8X



DSJ 1X