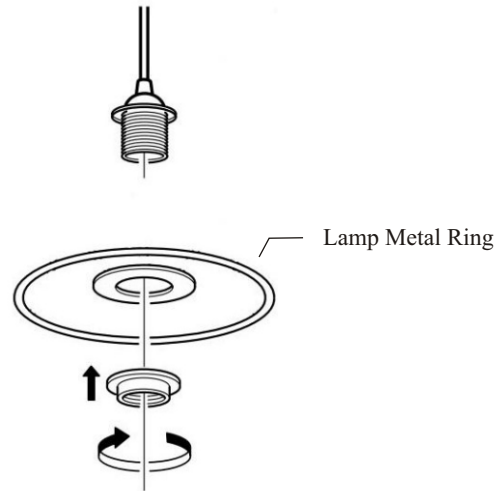


Unscrew the threaded cap from the socket.



Locate the lamp metal ring inside the pendant and insert the socket through the hole. Screw the threaded cap back on.