

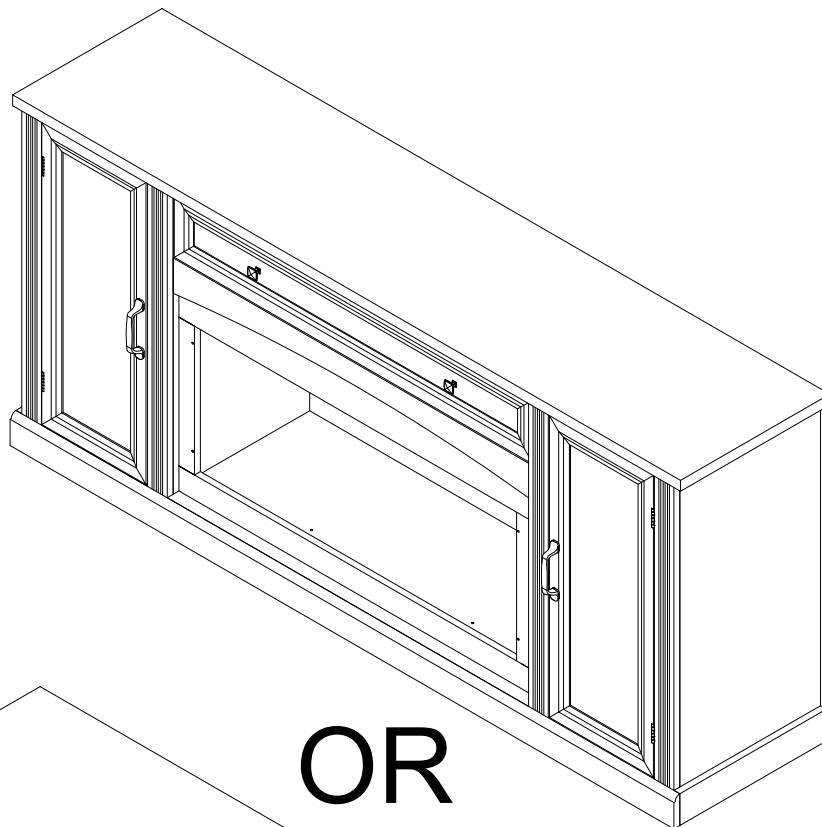
TV STAND

Assembly Instructions - Please keep for future reference

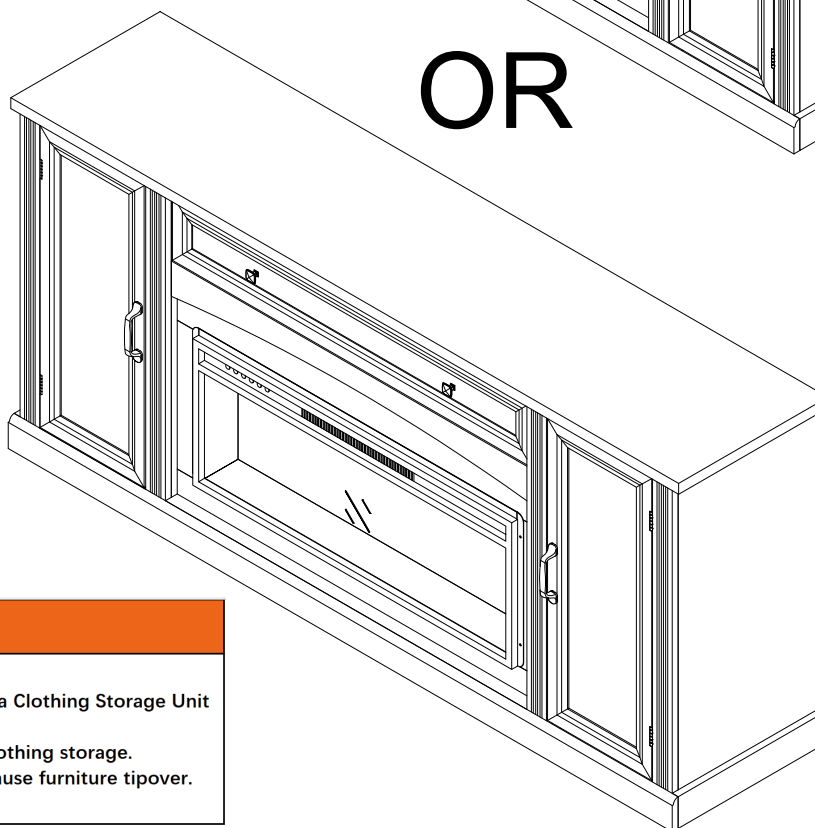
N721P394506
N721P394508

Dimensions

Width-77.41inch
Depth-15.00inch
Height-30.08inch



OR



WARNING



This product is NOT a Clothing Storage Unit (CSU).
DO NOT use it for clothing storage.
Improper use may cause furniture tipover.

Important - Please read these instructions fully before starting assembly



Safety and Care Advice

Important – Please read these instructions fully before starting assembly

- Check you have all the components and tools listed on the following pages.
- Remove all fittings from the plastic bags and separate them into their groups.
- Keep children and animals away from the work area, small parts could choke if swallowed.
- Make sure you have enough space to layout the parts before starting.

- During assembly do not stand or put weight on the product, this could cause damage.
- Assemble the item as close to its final position (in the same room) as possible.
- Assemble on a soft level surface to avoid damaging the unit or your floor.
- Parts of the assembly will be easier with 2 people.



power drill is set on a low torque setting.

- To reduce the likelihood of damaging your product please ensure that your

Care and maintenance

- Only clean using a damp cloth and mild detergent, do not use bleach or abrasive cleaners.
- From time to time check that there are no loose screws on this unit.
- This product should not be discarded with household waste. Take to your local authority waste disposal centre.

Handy Hints

- Assemble all parts and bolts loosely during assembly, only once the product is complete should you fully tighten the bolts
- Regularly check and ensure that all bolts and fittings are tightened properly.

WARNING In order to help prevent overturning – please follow these instructions

To help prevent product toppling over please follow the below steps:-

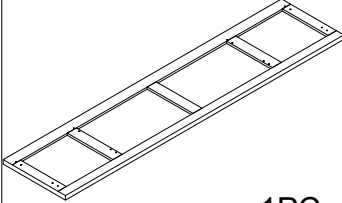
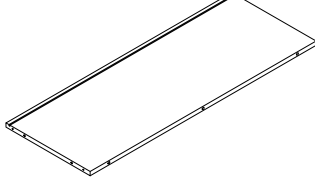
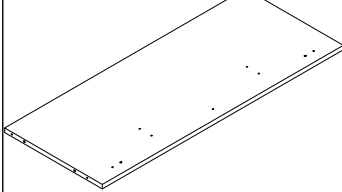
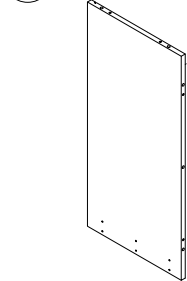
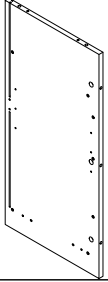
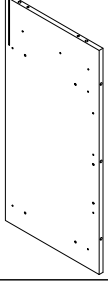
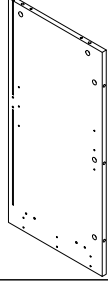
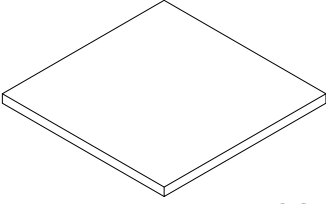
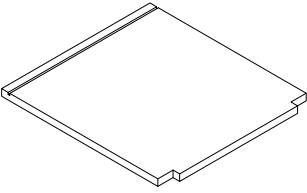




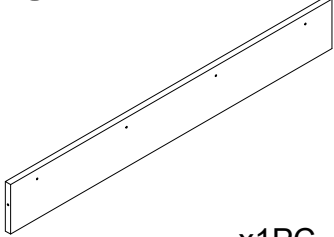
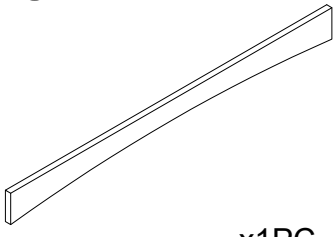
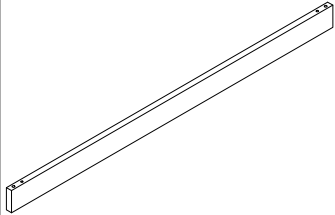

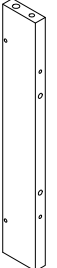
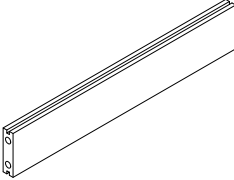
- Use the anti tip stap or wall fixing method provided (if applicable)
- Do not allow children to climb or hang on the furniture
- Do not open more than one drawer at a time
- Do not place heavy items in the top drawers
- Do not place heavy items on top of the furniture, unless the furniture has been designed for this purpose

Components - Fittings

Please check you have all the panels listed below

There are 2 boxes of this product.

Box 1: N721P394506

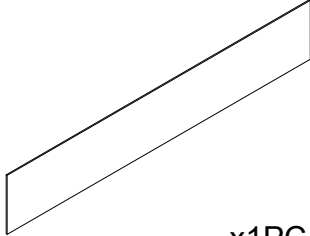
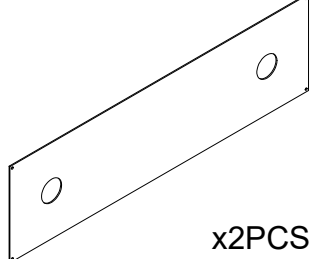
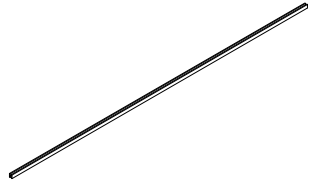
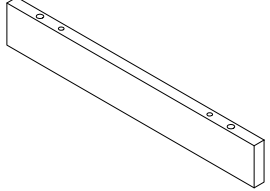
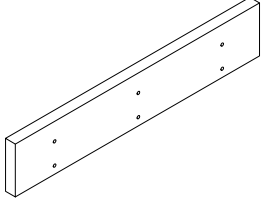
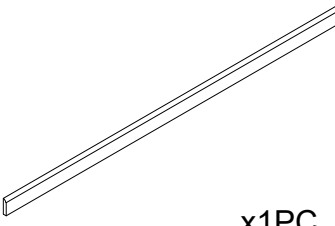
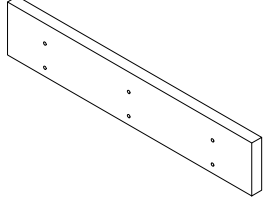
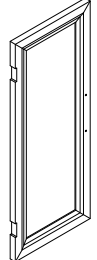
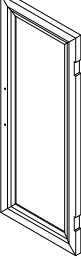
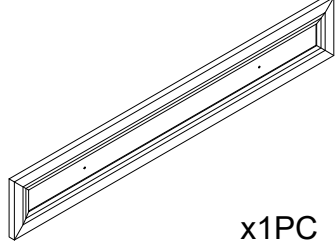
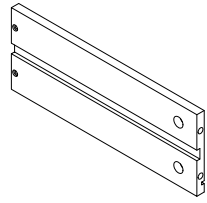
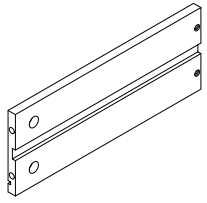
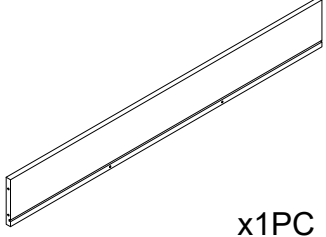
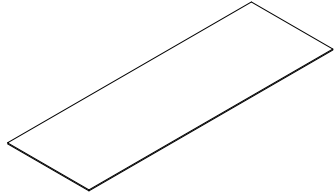
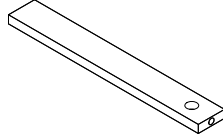
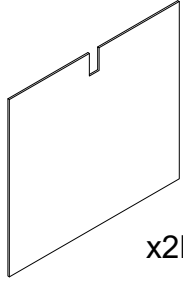
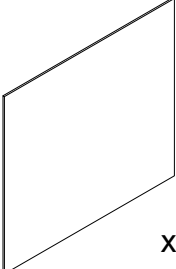
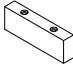
<p>① 1698*378*24</p>  <p>x1PC</p>	<p>② 920*340*15</p>  <p>x1PC</p>	<p>③ 920*371*12</p>  <p>x1PC</p>	<p>④ 740*356*15</p>  <p>x1PC</p>
<p>⑤ 740*356*15</p>  <p>x1PC</p>	<p>⑥ 740*356*15</p>  <p>x1PC</p>	<p>⑦ 740*356*15</p>  <p>x1PC</p>	<p>⑧ 336*330*12</p>  <p>x2PCS</p>
<p>⑨ 340*371*12</p>  <p>x2PCS</p>	<p>⑩ 740*50*15</p>  <p>x1PC</p>	<p>⑪ 740*50*15</p>  <p>x1PC</p>	<p>⑫ 740*50*15</p>  <p>x1PC</p>
<p>⑬ 740*50*15</p>  <p>x1PC</p>	<p>⑭ 920*125*15</p>  <p>x1PC</p>	<p>⑮ 920*78*15</p>  <p>x1PC</p>	<p>⑯ 920*55*15</p>  <p>x1PC</p>
<p>⑰ 327*50*15</p>  <p>x1PC</p>	<p>⑱ 327*50*15</p>  <p>x1PC</p>	<p>⑲ 340*58*12</p>  <p>x2PCS</p>	

Components - Fittings

Please check you have all the panels listed below

There are 2 boxes of this product.

Box 1: N721P394506

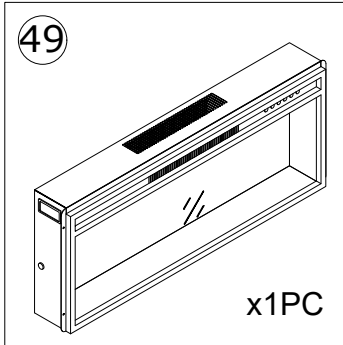
<p>②① 927*162*3</p>  <p>x1PC</p>	<p>②② 950*263*3</p>  <p>x2PCS</p>	<p>②③ 370*55*12</p>  <p>x1PC</p>	<p>②④ 371*68*15</p>  <p>x2PCS</p>
<p>②⑤ 371*68*15</p>  <p>x1PC</p>	<p>②⑥ 920*78*15</p>  <p>x1PC</p>	<p>②⑦ 371*68*15</p>  <p>x1PC</p>	<p>②⑧ 664*262*18</p>  <p>x1PC</p>
<p>②⑨ 664*262*18</p>  <p>x1PC</p>	<p>③① 912*142*18</p>  <p>x1PC</p>	<p>③② 300*115*12</p>  <p>x1PC</p>	<p>③③ 300*115*12</p>  <p>x1PC</p>
<p>③④ 884*115*12</p>  <p>x1PC</p>	<p>③⑤ 891*295*3</p>  <p>x1PC</p>	<p>③⑥ 288*60*15</p>  <p>x2PCS</p>	<p>③⑦ 347*315*3</p>  <p>x2PCS</p>
<p>③⑧ 347*315*3</p>  <p>x2PCS</p>	<p>③⑨ 90*30*15</p>  <p>x2PCS</p>	<p>Hardware Package</p>	

Components - Fittings

Please check you have all the panels listed below

There are 2 boxes of this product.

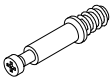

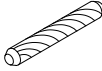
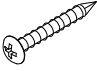







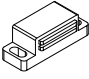


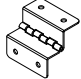
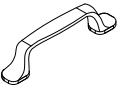

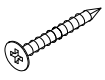


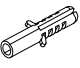


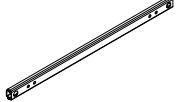



Box 2: N721P394508



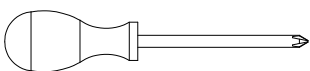
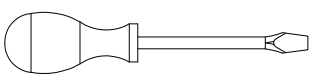
Components - Fittings

Please check you have all the panels listed below

Note: The quantities below are the correct amount to complete the assembly. In some cases more fittings may be supplied than are required.

 M6*35mm Cam Bolt x 53+3	 M15*10mm Cam lock x 53+3	 M6*30mm Dowel x 46+3	 M4*25mm Screw x 24+2
 M3*12mm Screw x 20+2	 M4*40mm Screw x 3	 Plastic Connector x 16+1	 M3*16mm Screw x 16+1
 M4*35mm Screw x 20+2	 Anti-Inverted Iron x 2	 M4*12mm Screw x 2	 Magnet x 2
 M3*14mm Screw x 4	 M3*12mm Screw x 4	 Hinge x 4	 Handle x 2
 M4*20mm Screw x 4	 M4*30mm Screw x 6+1	 Handle x 2	 M4*12mm Screw x 2
 WALL ANCHOR x 2	 SHELF PIN x 8	 Metal Plate x 2	 Slide Rail x 2
 M4*9mm Screw x 2	 M3*12mm Screw x 16+1	 Metal Plate x 4	

Tools required

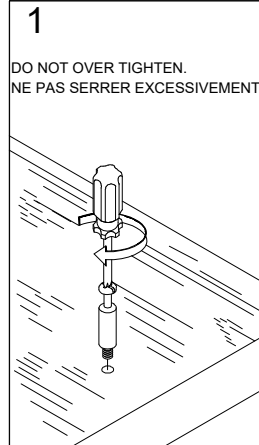


Phillips screwdriver
(medium & large)

Using Camlocks

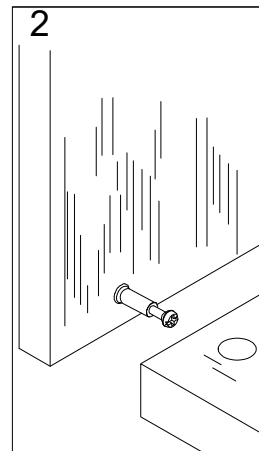
Step 1

Connect the male camlock as directed in the assembly instructions using a screwdriver.



Step 2

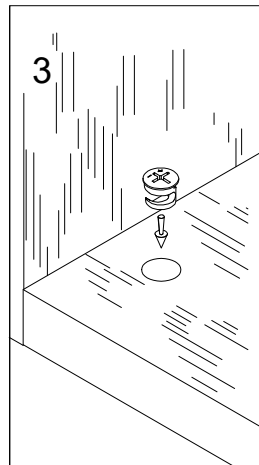
Push the male camlock into the entry hole.



Step 3

Insert the female camlock as shown in the instruction.

Note: ensure that the arrow on the top of the camlock points towards the entry hole for the male camlock.

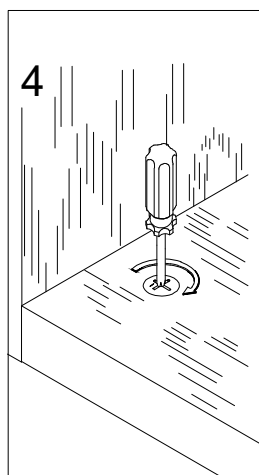


Step 4

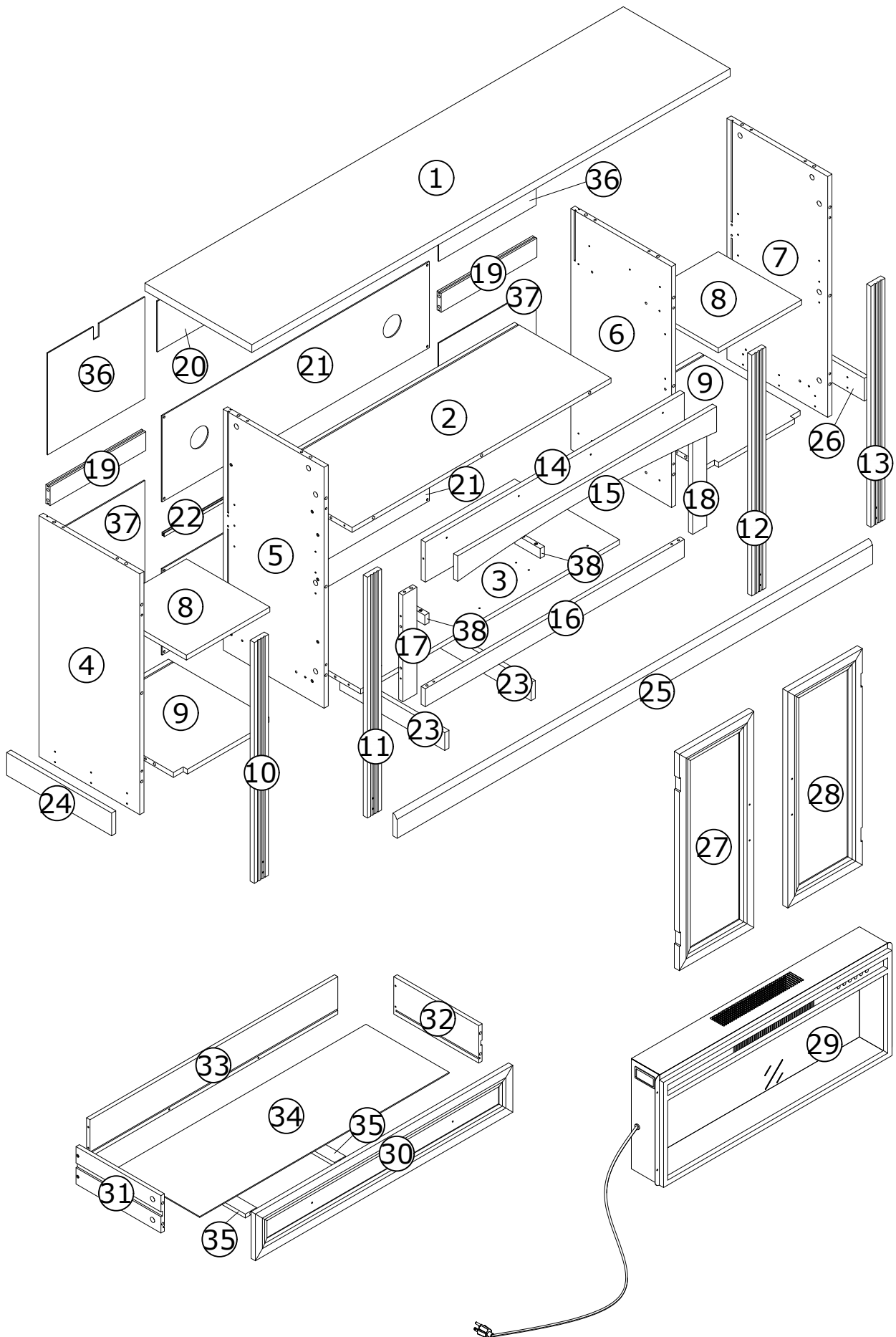
Turn the female camlock clockwise with a screwdriver.

You should feel a click when the camlock is locked in place.

The joint is now secure.

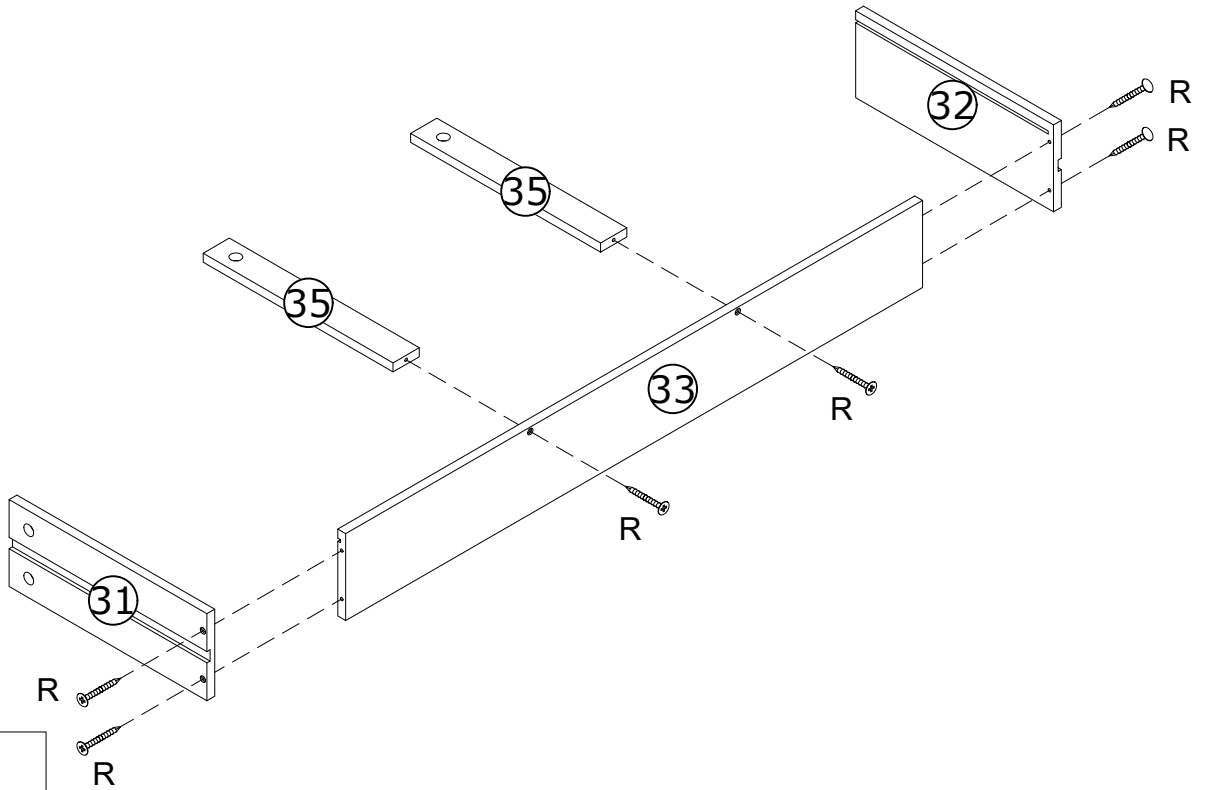


Assembly Instructions



Assembly Instructions

Step 1

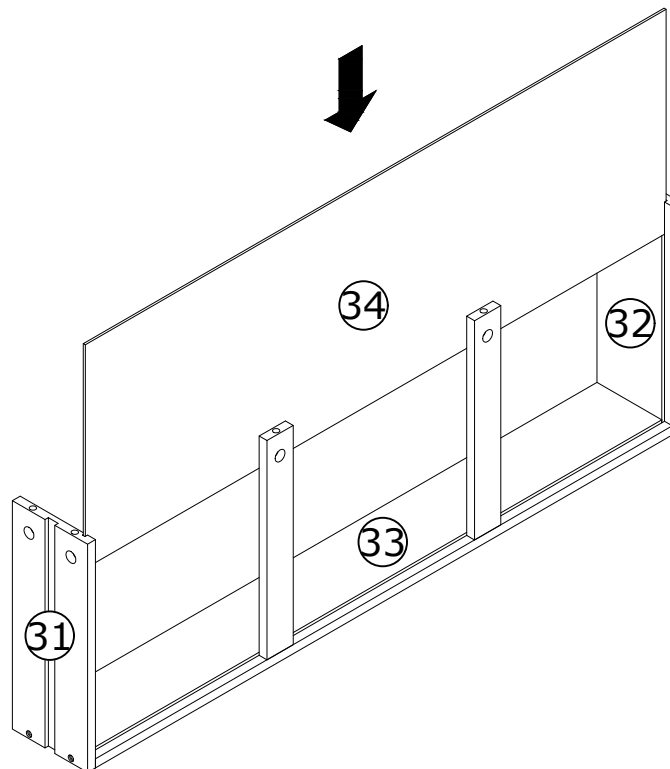


(R)



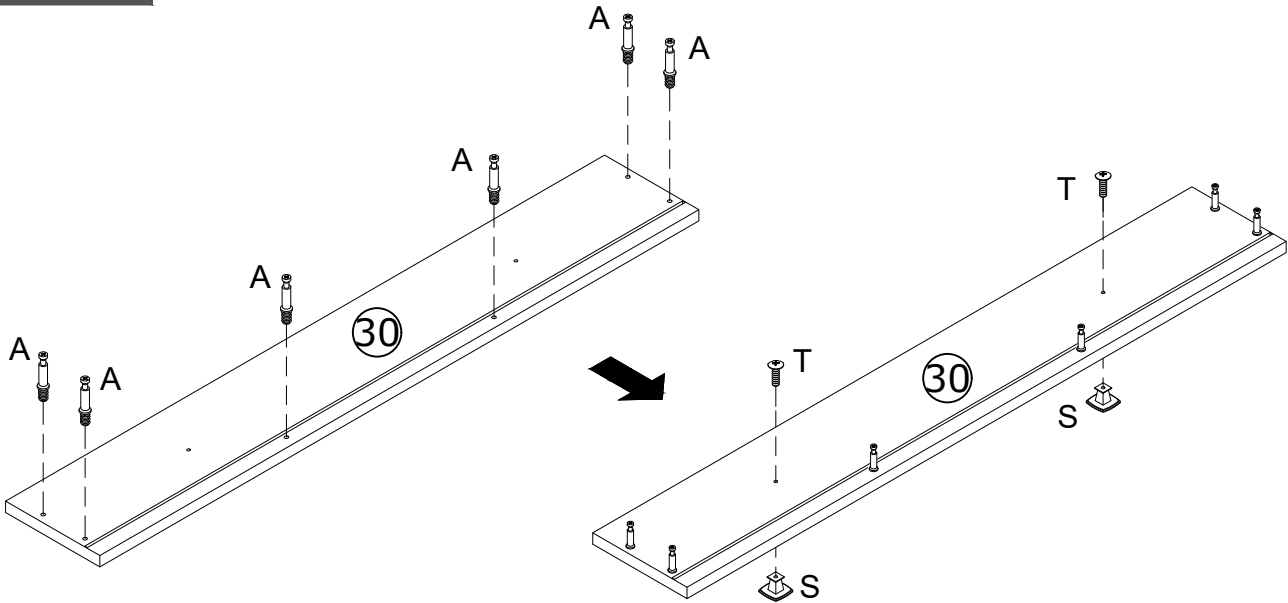
M4*30mm Screw x 6

Step 2



Assembly Instructions

Step 3



(A)



M6*35 Cam Bolt x 6

(S)



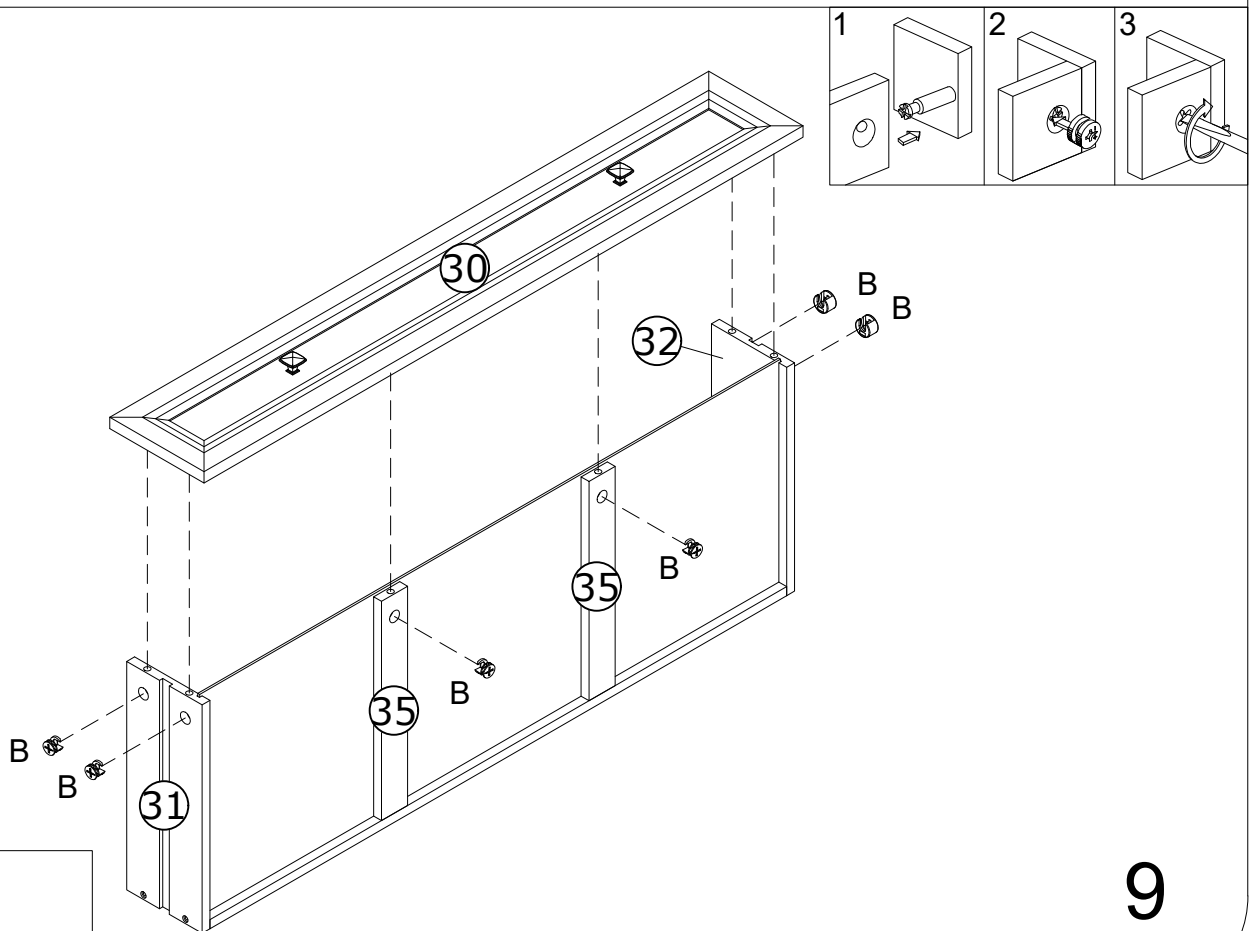
Handle x 2

(T)



M4*12mm Screw x 2

Step 4



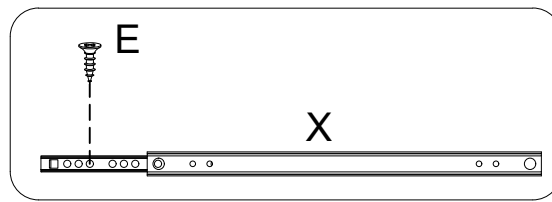
(B)



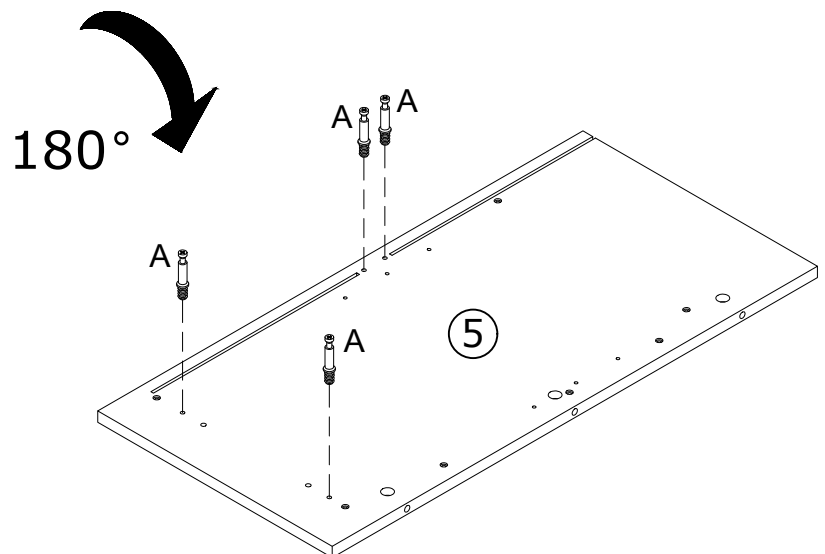
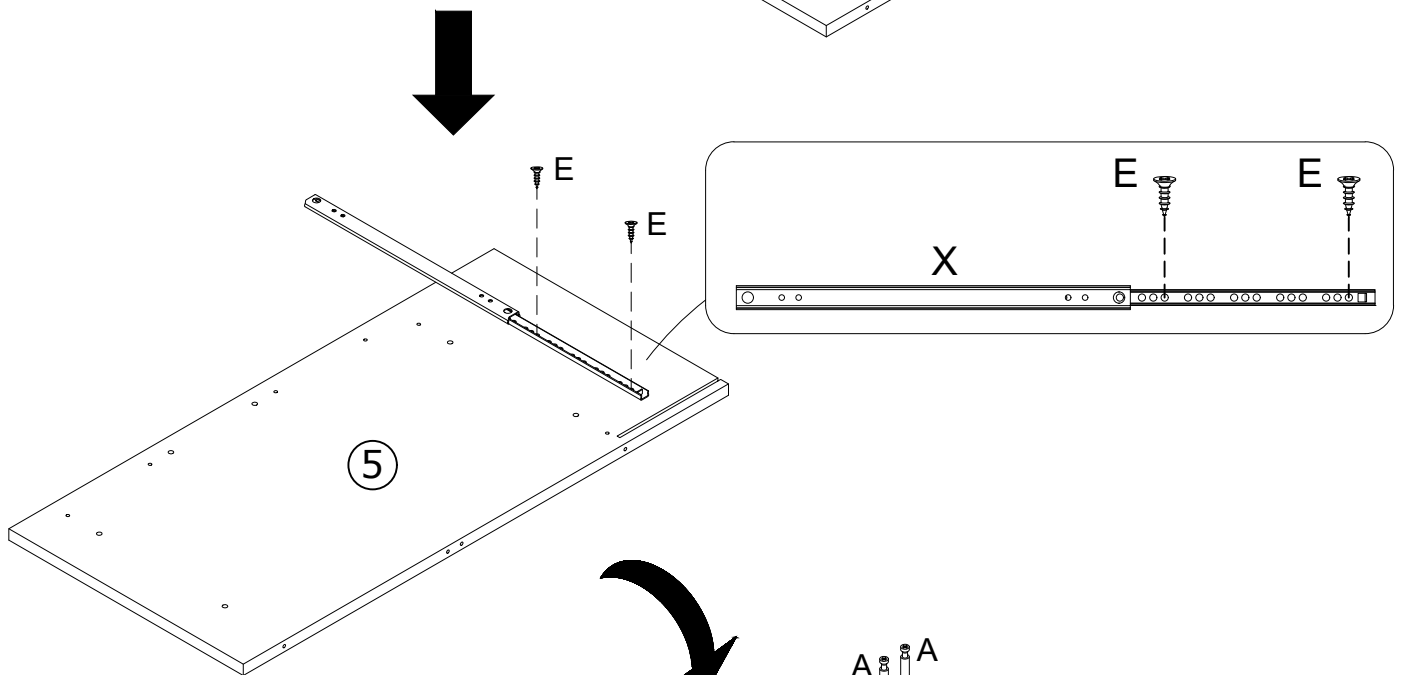
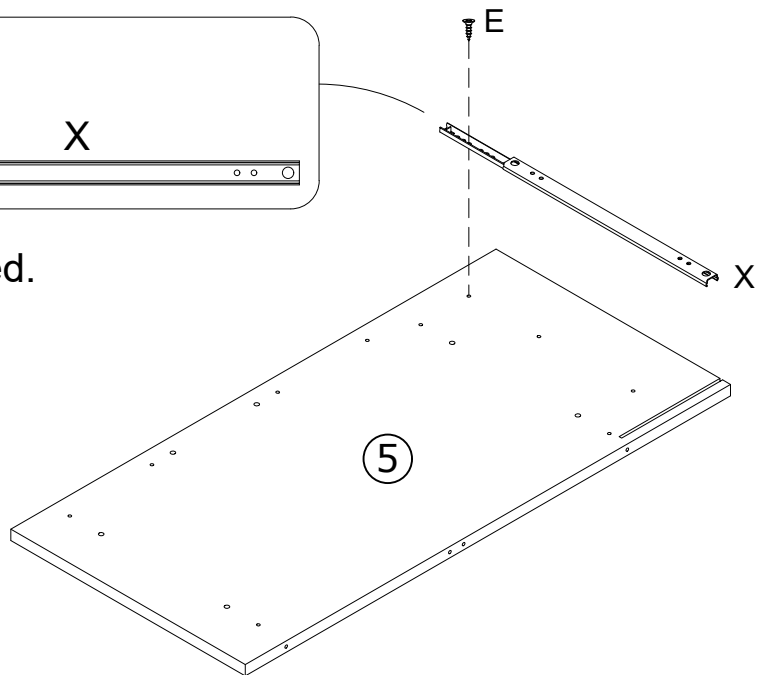
M15*10mm Cam lock x 6

Assembly Instructions

Step 5



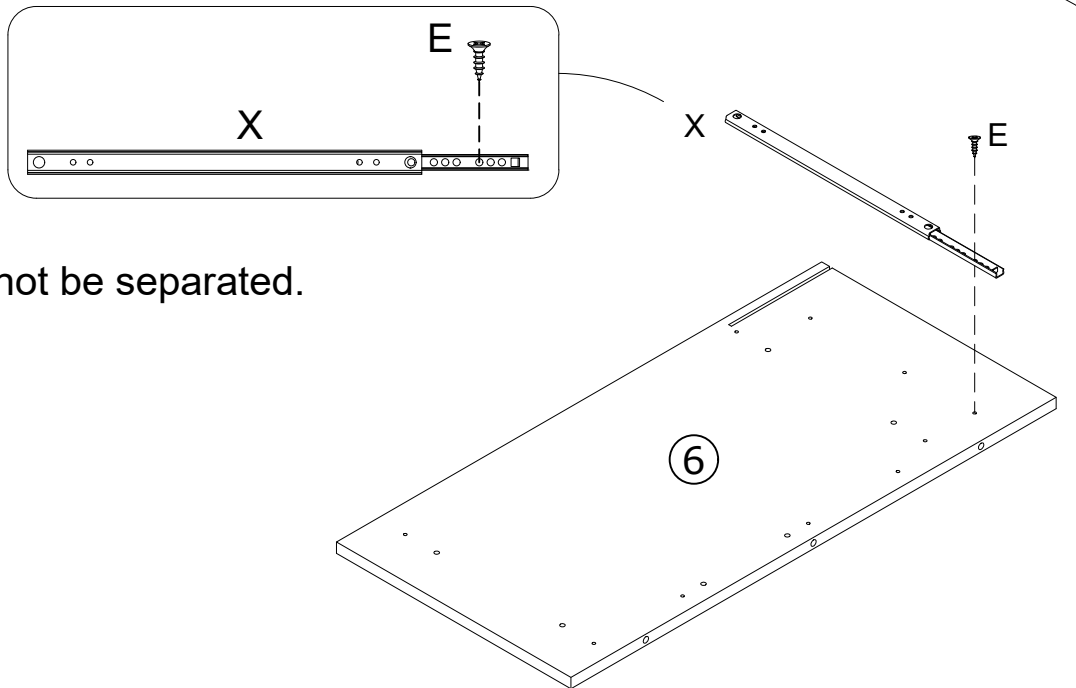
This slide rail cannot be separated.



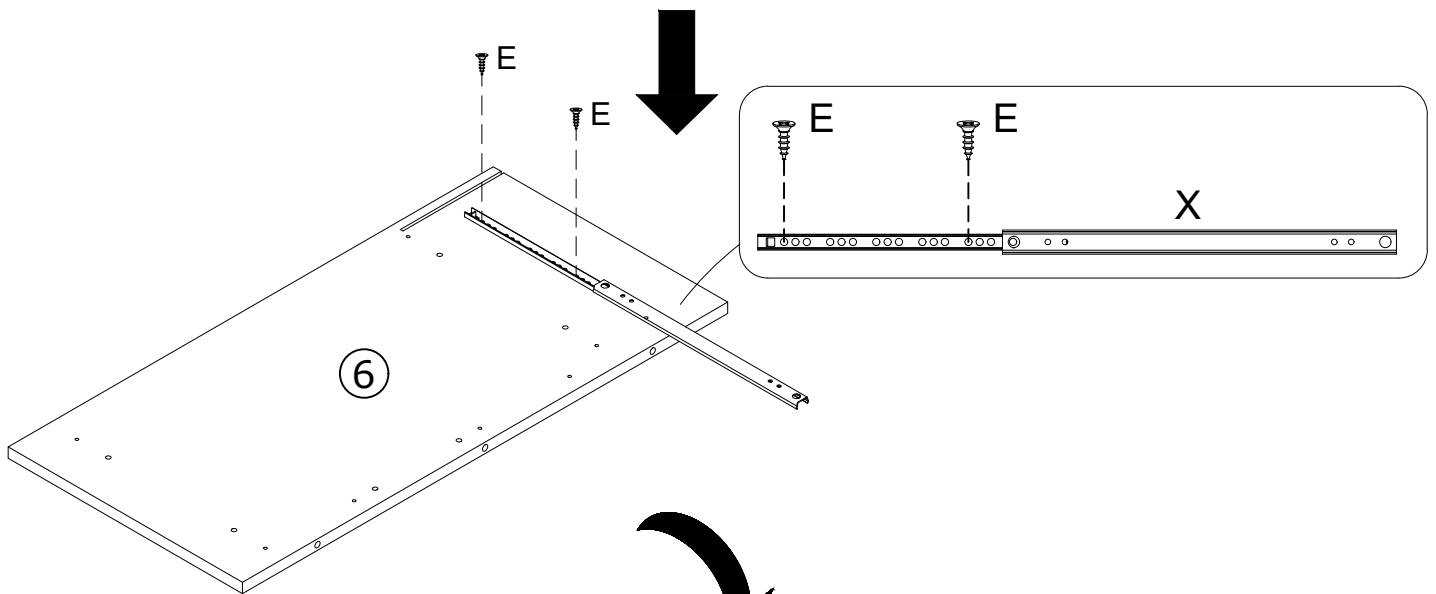
 M6*35 Cam Bolt x 4	 M3*12mm Screw x 3	 Slide Rail x 1
---	--	---

Assembly Instructions

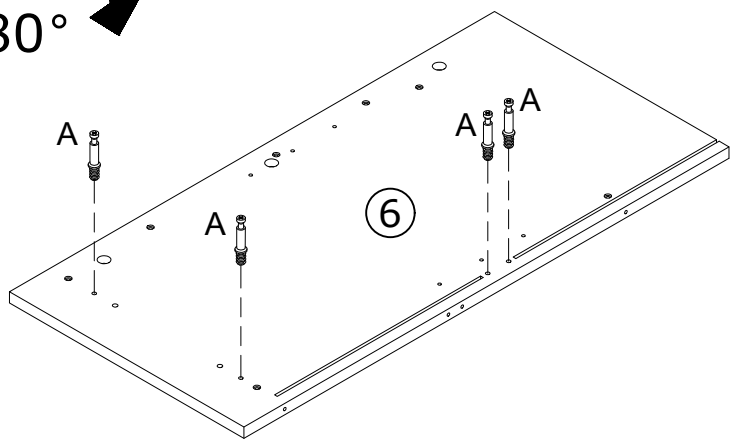
Step 6



This slide rail cannot be separated.



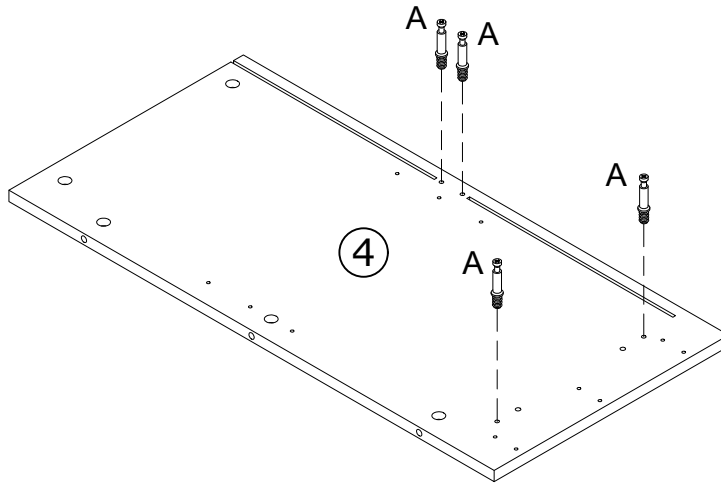
180°



 A M6*35 Cam Bolt x 4	 E M3*12mm Screw x 3	 X Slide Rail x 1
--	---	--

Assembly Instructions

Step 7

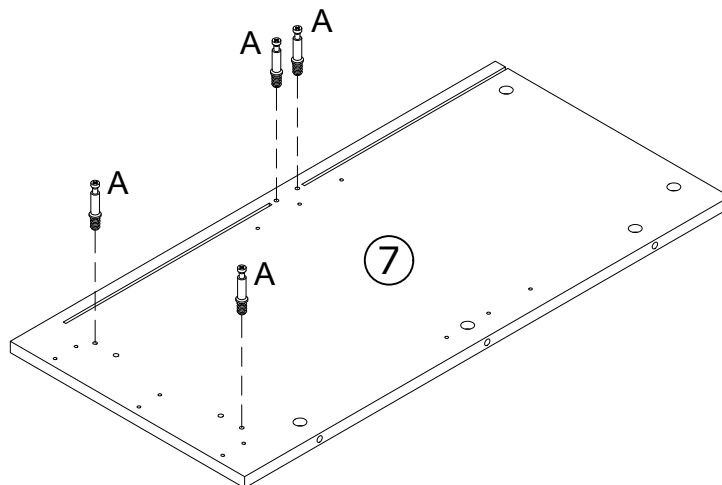


A



M6*35 Cam Bolt x 4

Step 8



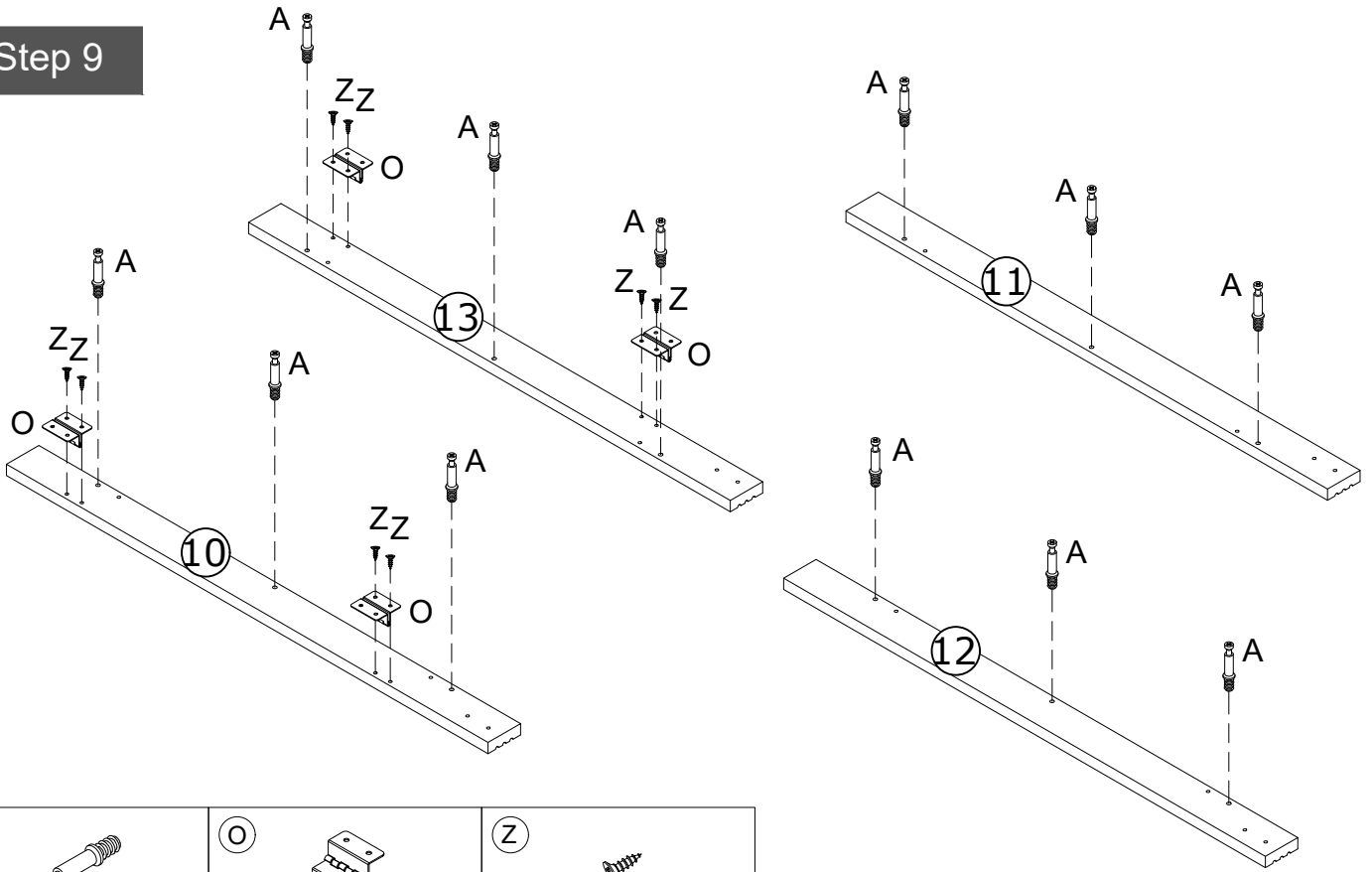
A

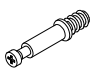
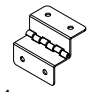



M6*35 Cam Bolt x 4

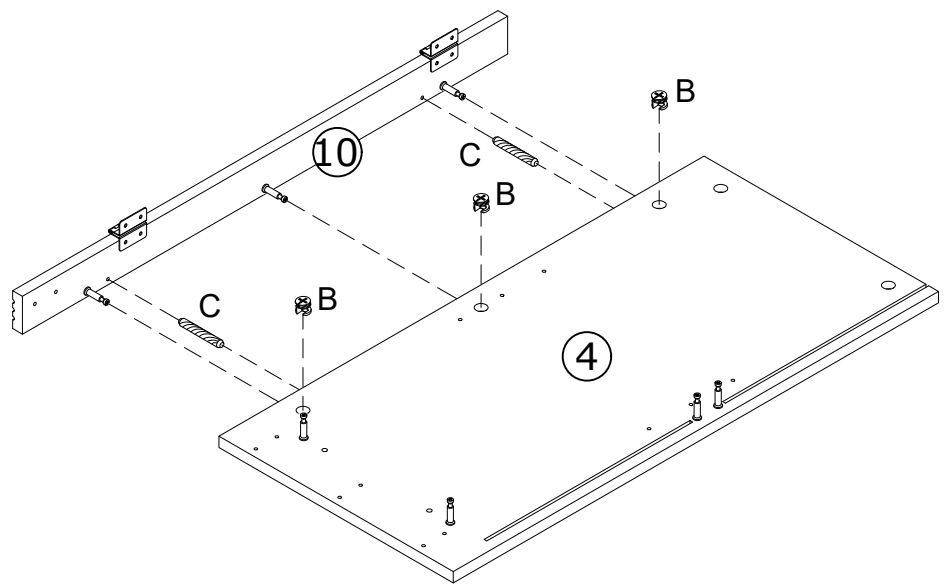
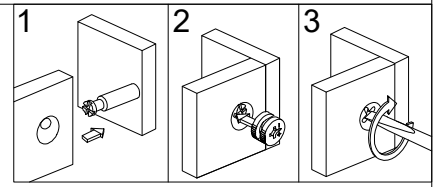
Assembly Instructions


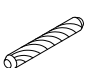
Step 9



<p>(A) </p> <p>M6*35 Cam Bolt x 12</p>	<p>(O) </p> <p>Hinge x 4</p>	<p>(Z) </p> <p>M3*12mm Screw x 8</p>
--	--	--

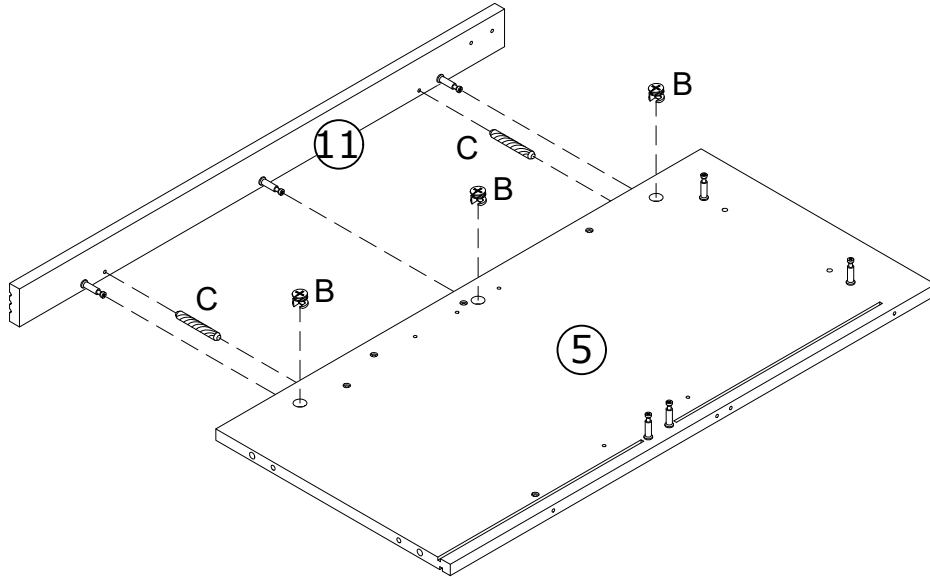
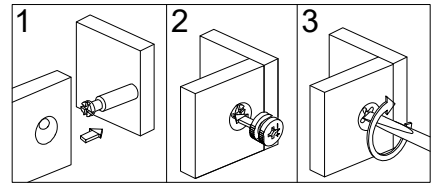
Step 10



<p>(B) </p> <p>M15*10mm Cam lock x 3</p>	<p>(C) </p> <p>M6*30mm Dowel x 2</p>
--	--

Assembly Instructions

Step 11



(B)



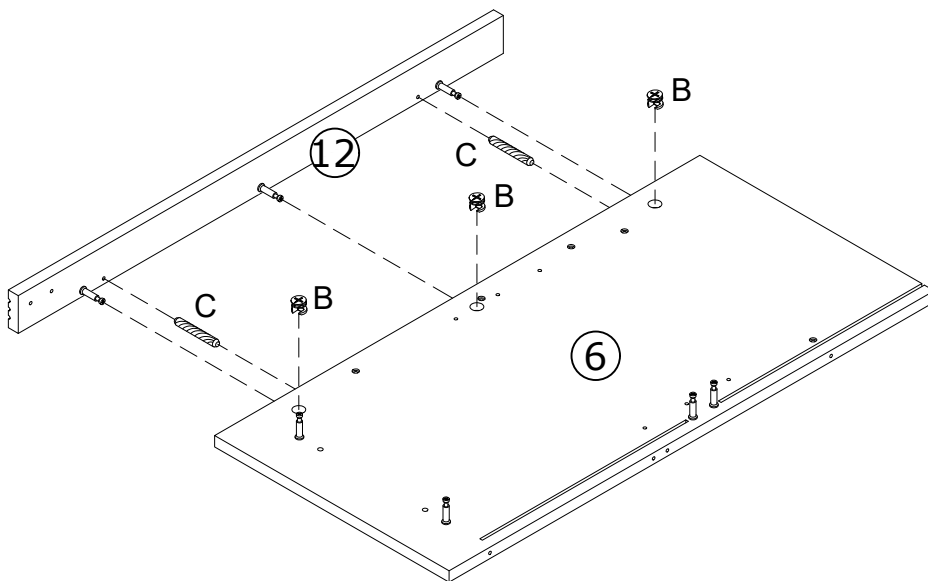
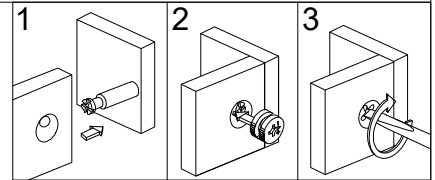
M15*10mm Cam lock x 3

(C)



M6*30mm Dowel x 2

Step 12



(B)



M15*10mm Cam lock x 3

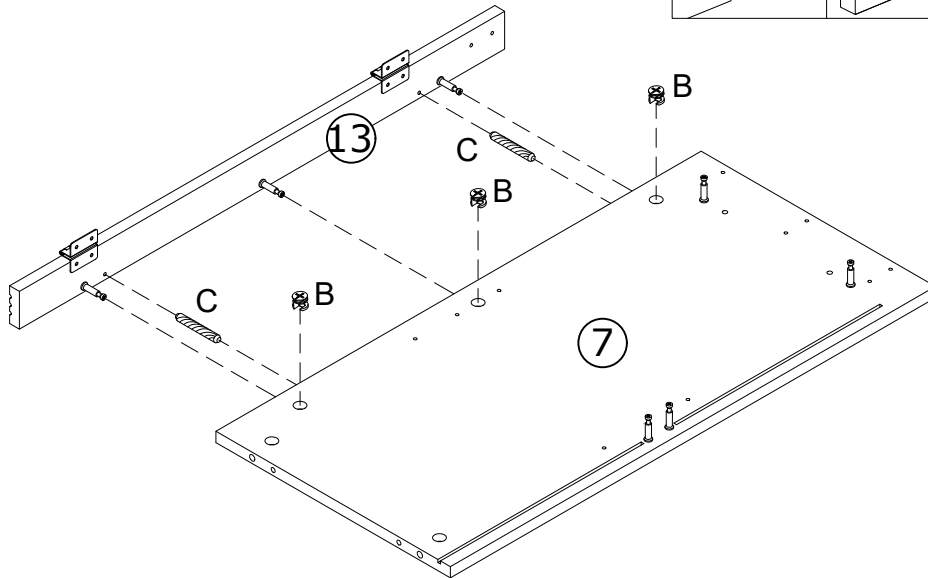
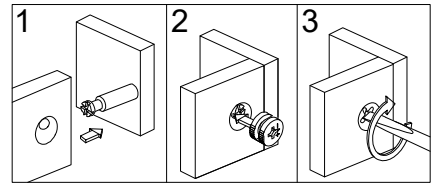
(C)



M6*30mm Dowel x 2

Assembly Instructions

Step 13



(B)



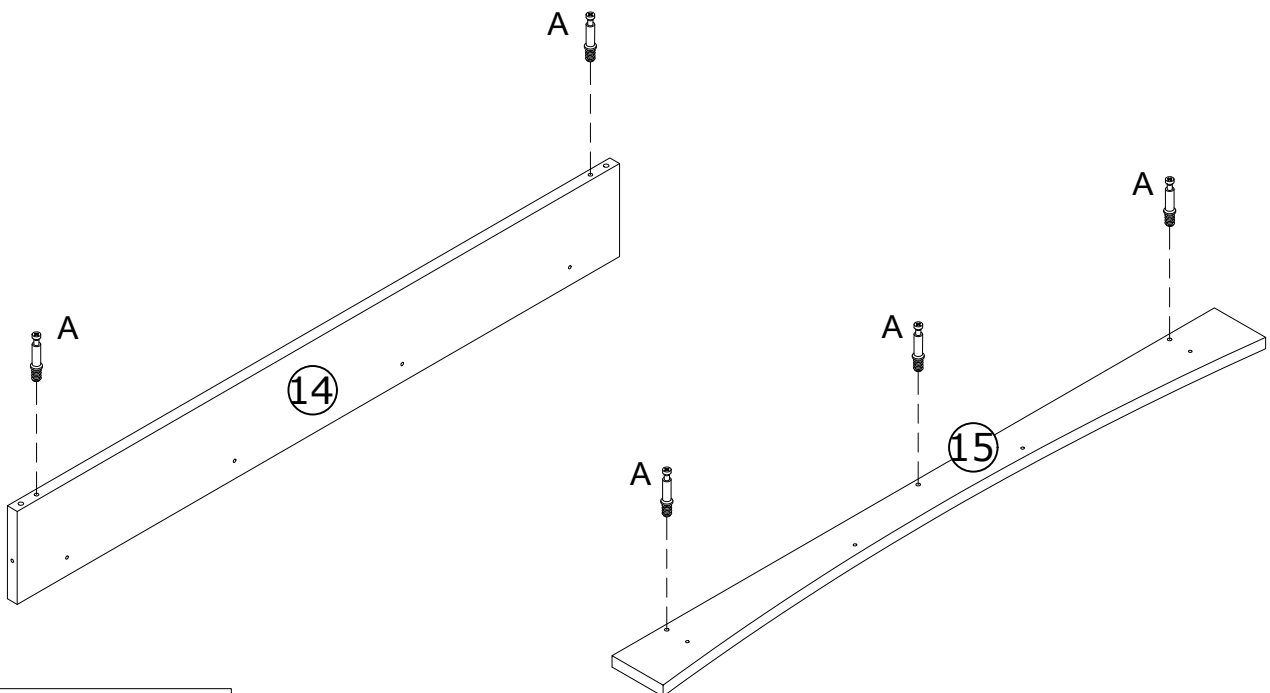
M15*10mm Cam lock x 3

(C)



M6*30mm Dowel x 2

Step 14



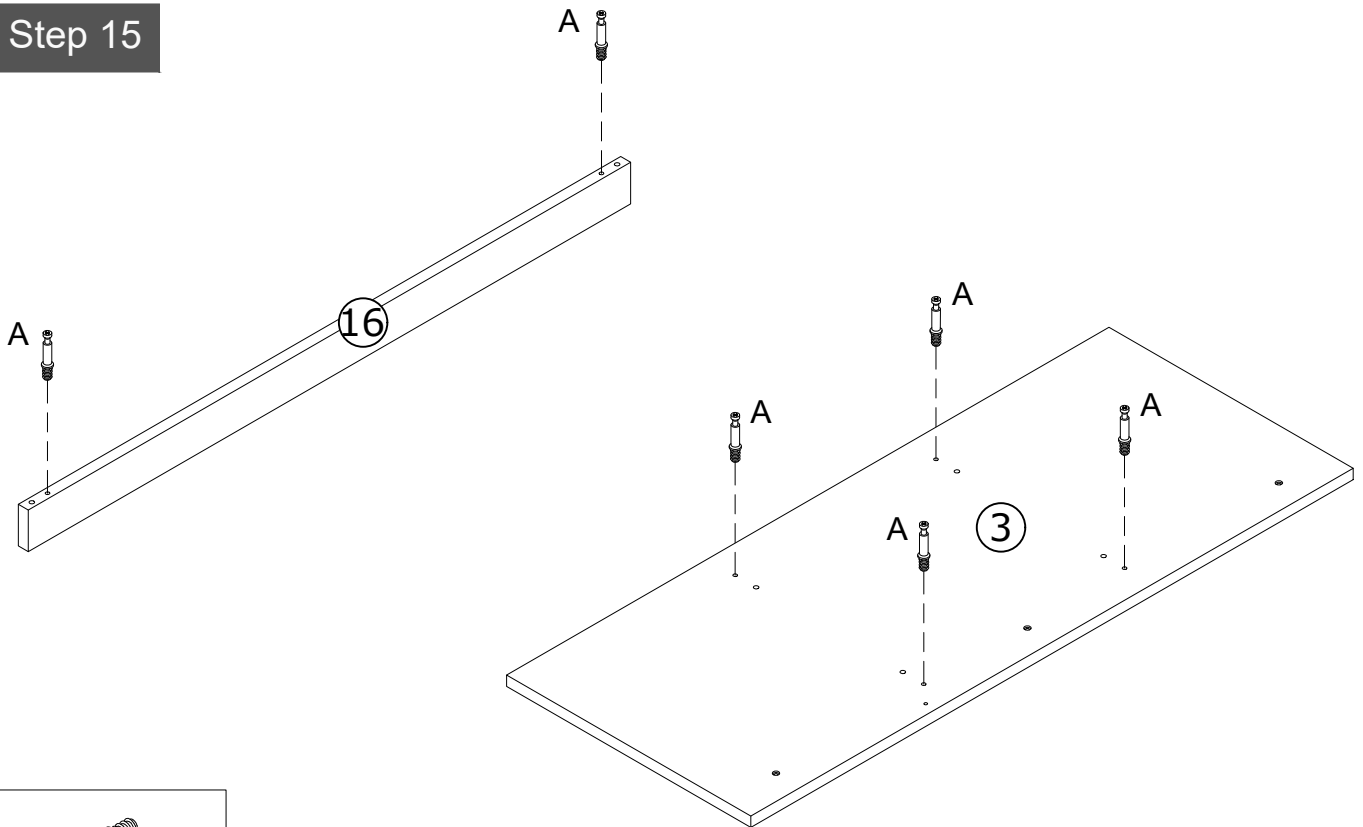
(A)



M6*35 Cam Bolt x 5

Assembly Instructions

Step 15

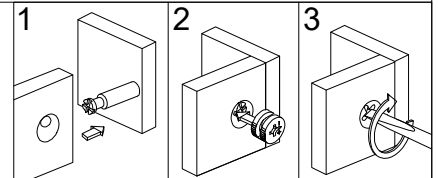
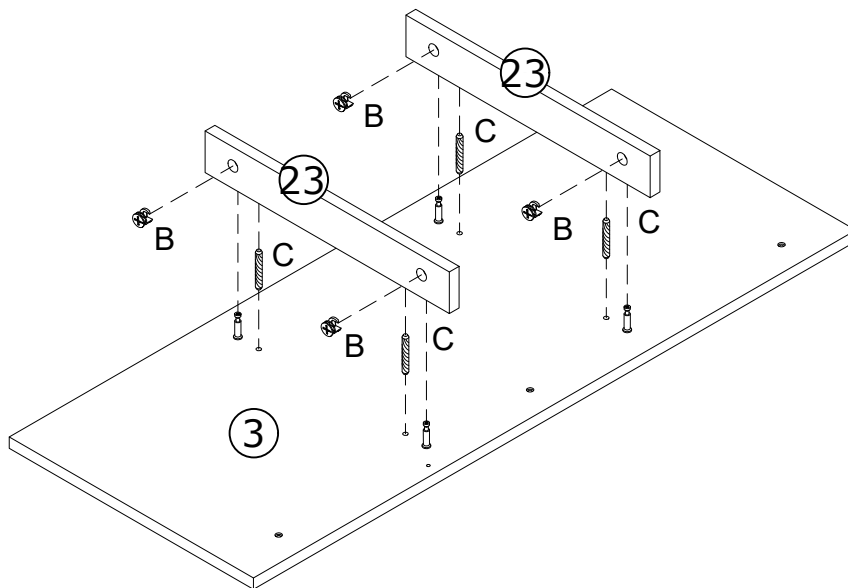


(A)



M6*35 Cam Bolt x 6

Step 16



(B)



M15*10mm Cam lock x 4

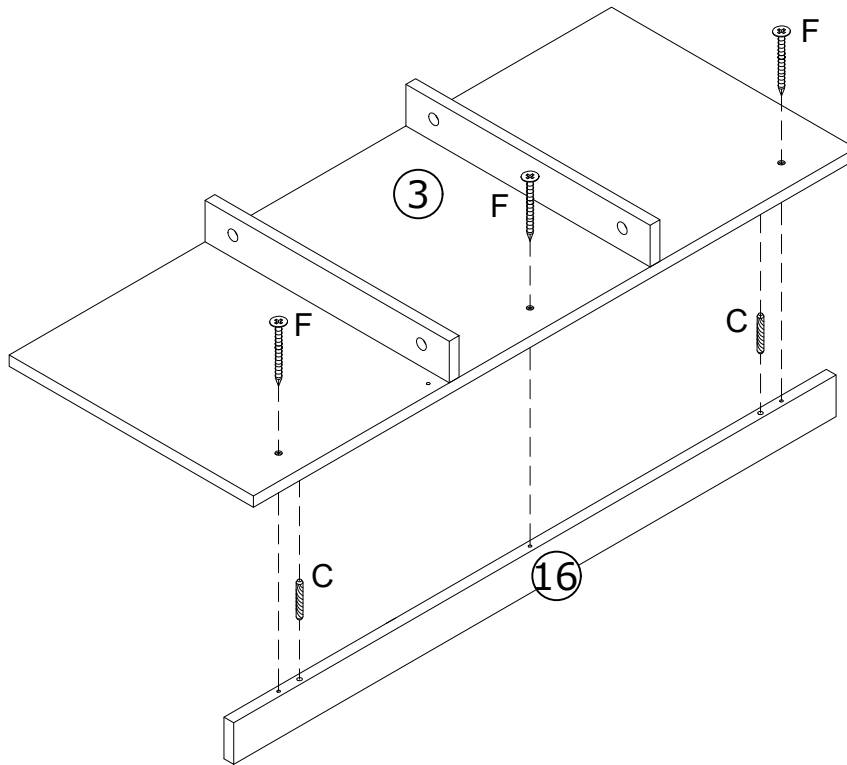
(C)



M6*30mm Dowel x 4

Assembly Instructions

Step 17

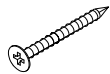


C



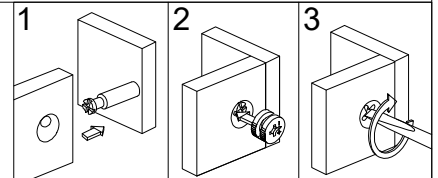
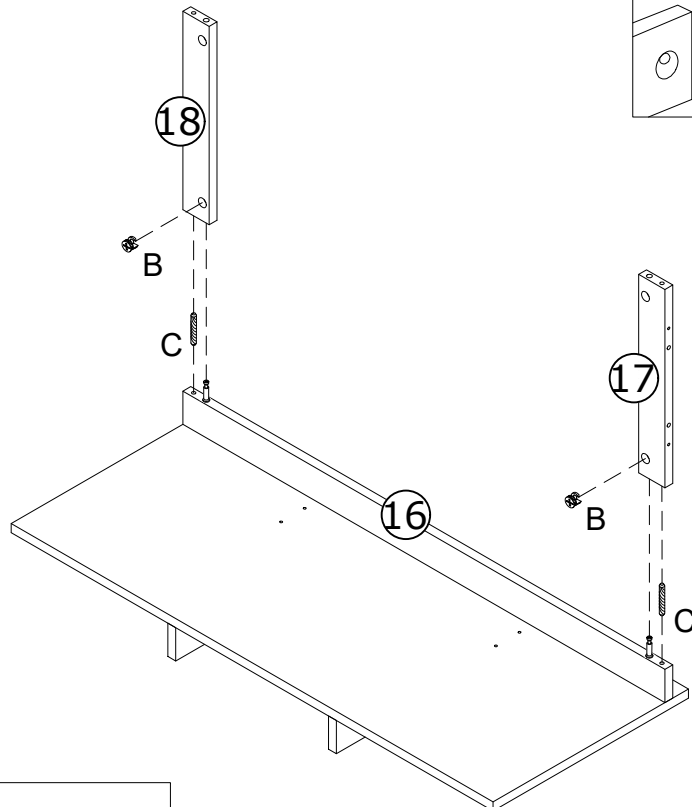
M6*30mm Dowel x 2

F



M4*40mm Screw x 3

Step 18



B



M15*10mm Cam lock x 2

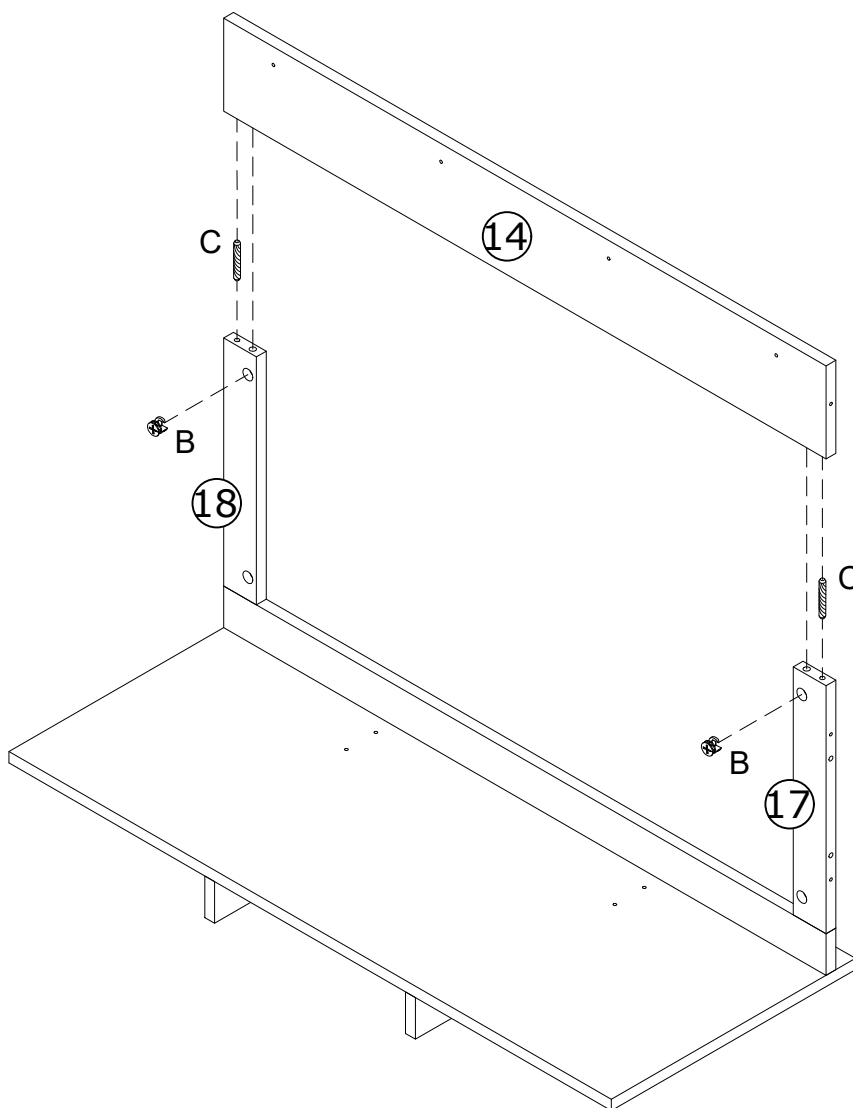
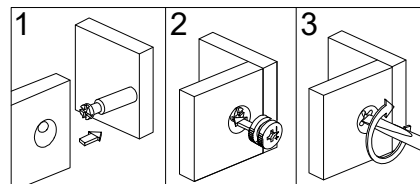
C



M6*30mm Dowel x 2

Assembly Instructions

Step 19



(B)



M15*10mm Cam lock x 2

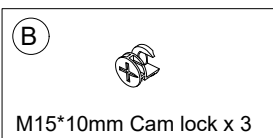
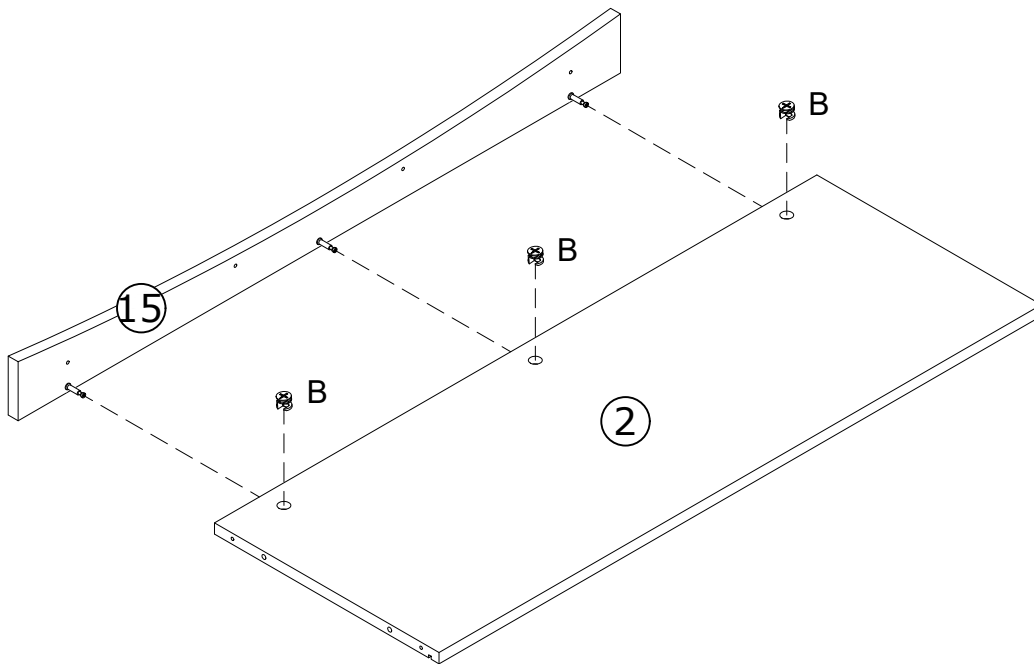
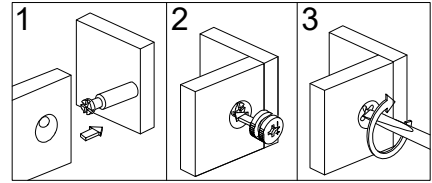
(C)



M6*30mm Dowel x 2

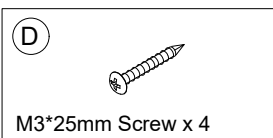
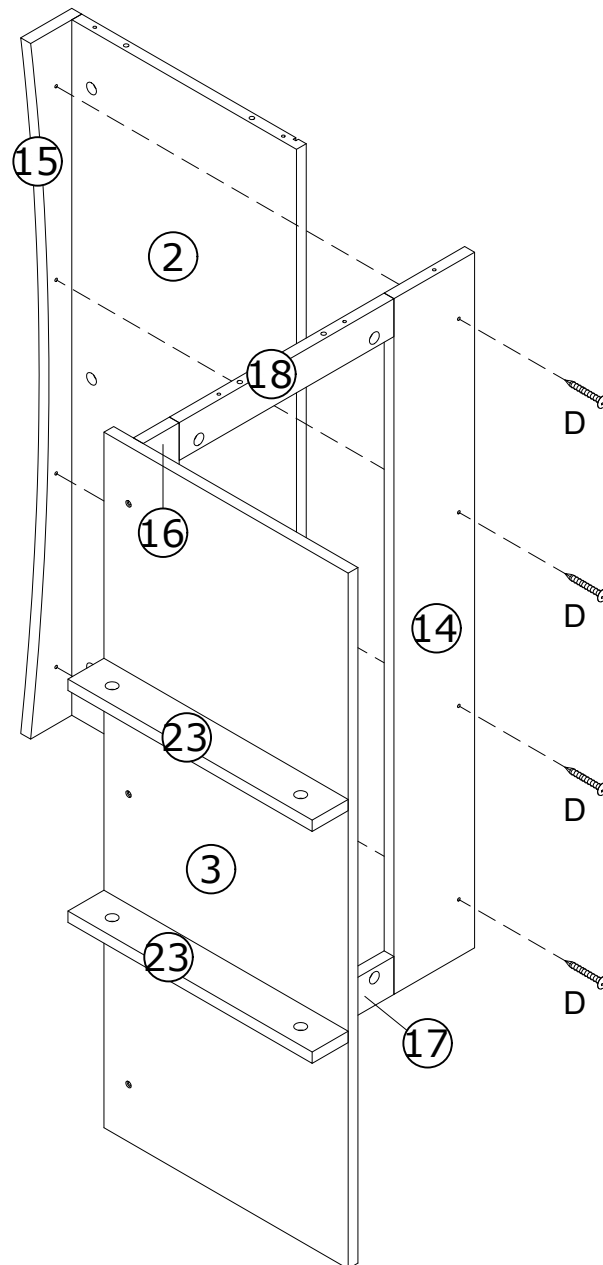
Assembly Instructions

Step 20



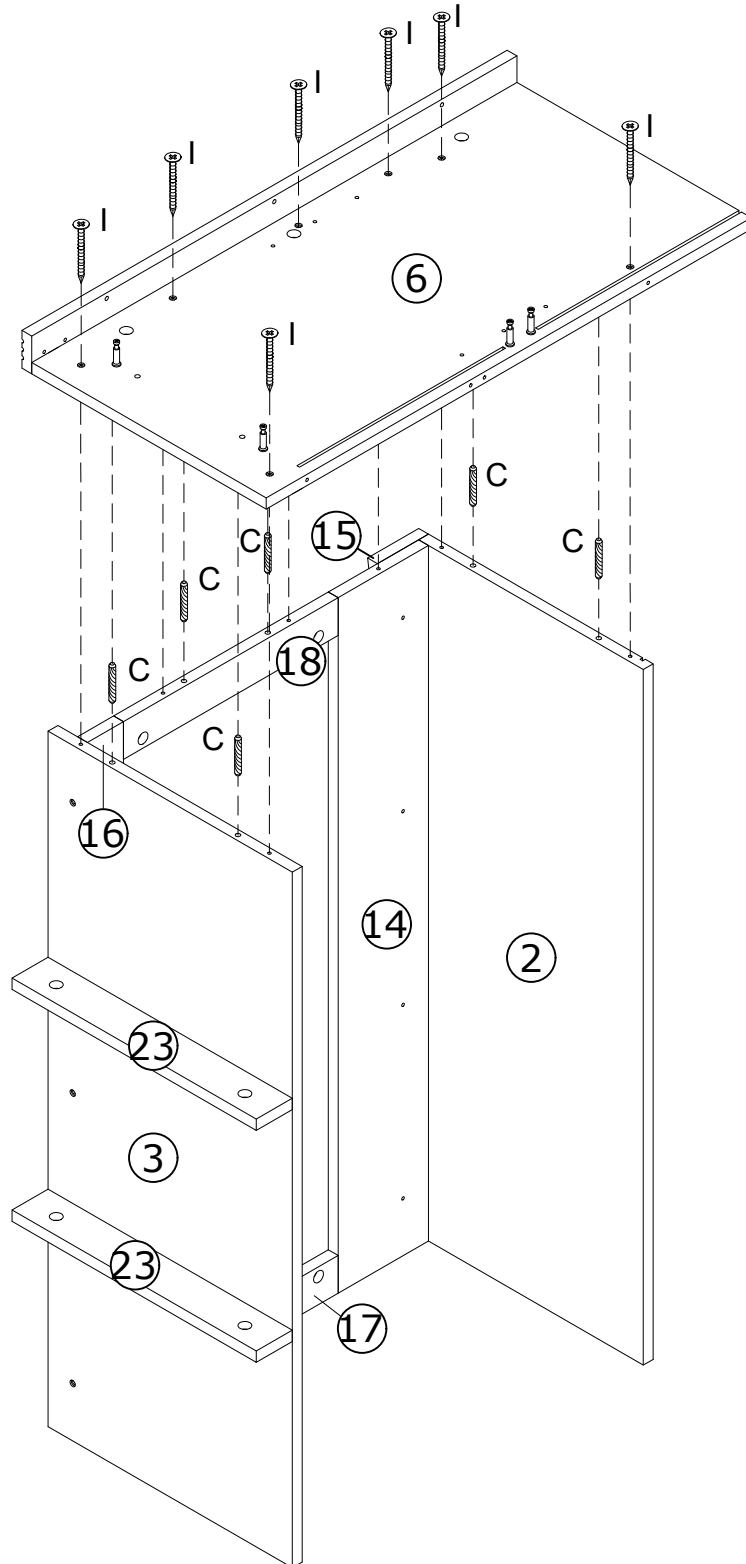
Assembly Instructions

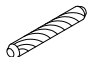

Step 21



Assembly Instructions

Step 22



<p>(C)</p>  <p>M6*30mm Dowel x 6</p>	<p>(I)</p>  <p>M4*35mm Screw x 7</p>
---	---

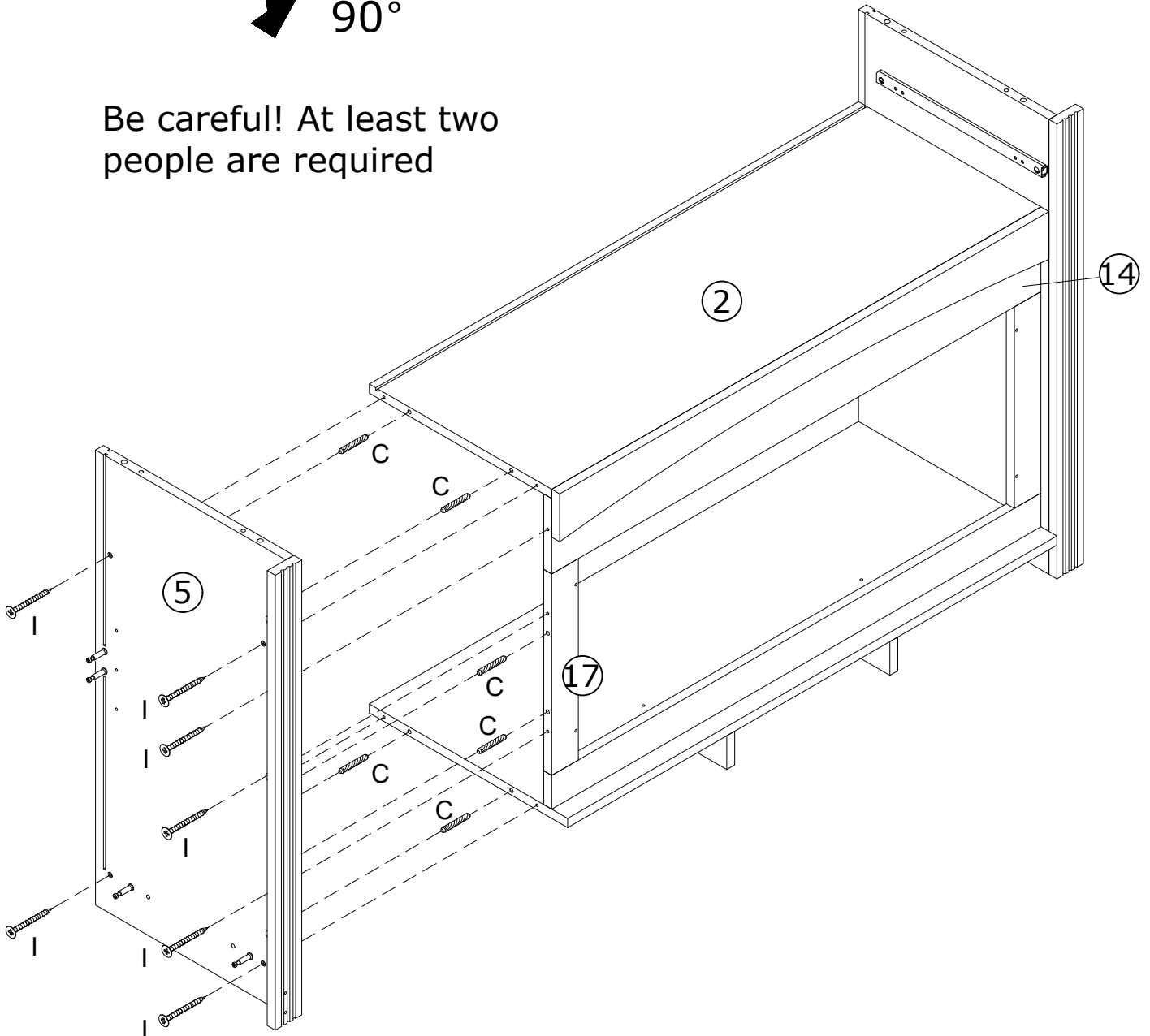
Assembly Instructions


Step 23



90°

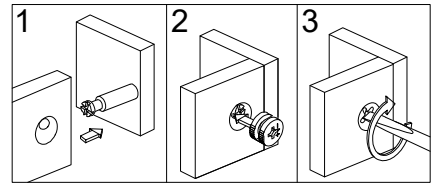
Be careful! At least two people are required



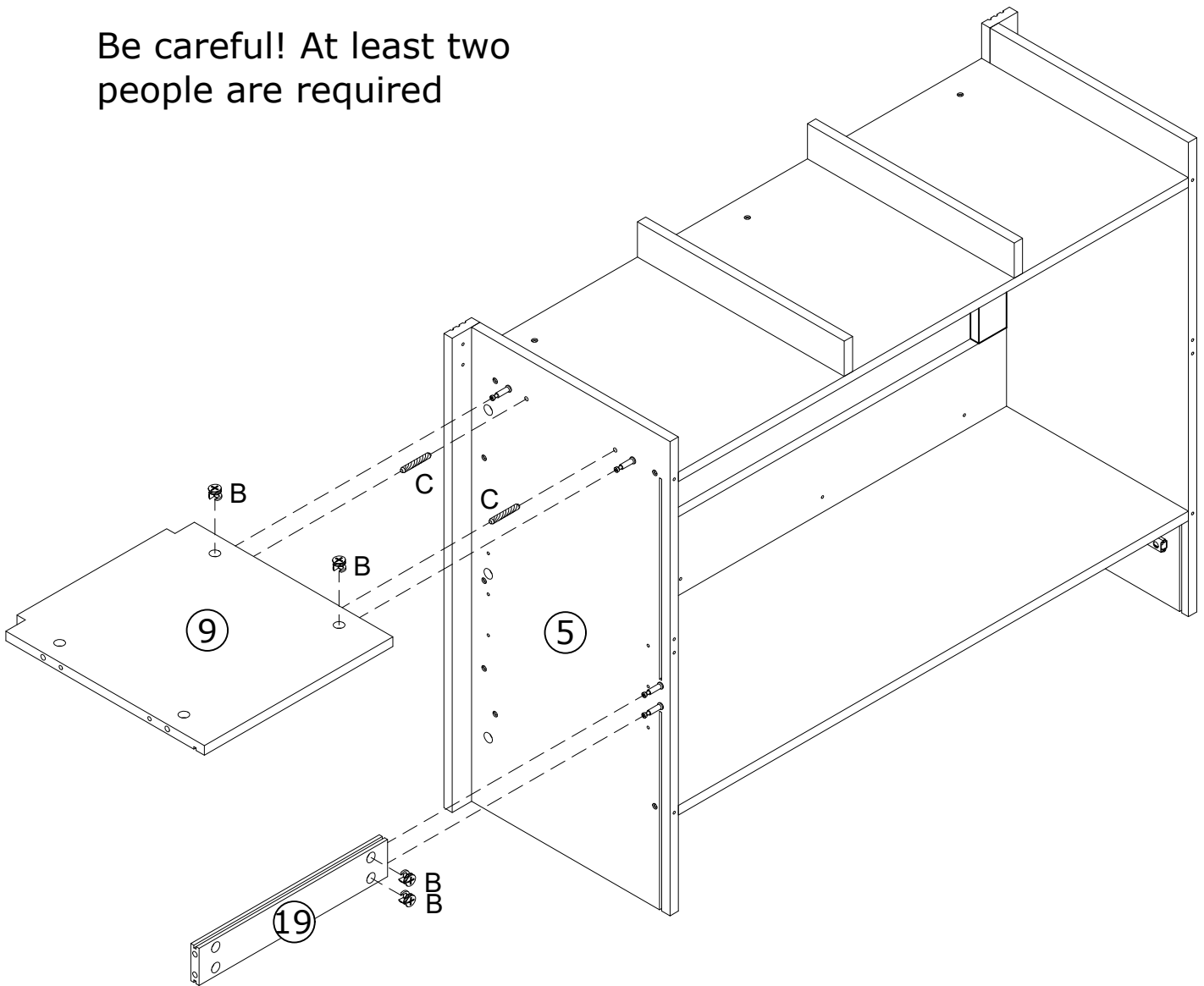
 M6*30mm Dowel x 6	 M4*35mm Screw x 7
--	--


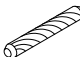
Assembly Instructions

Step 24



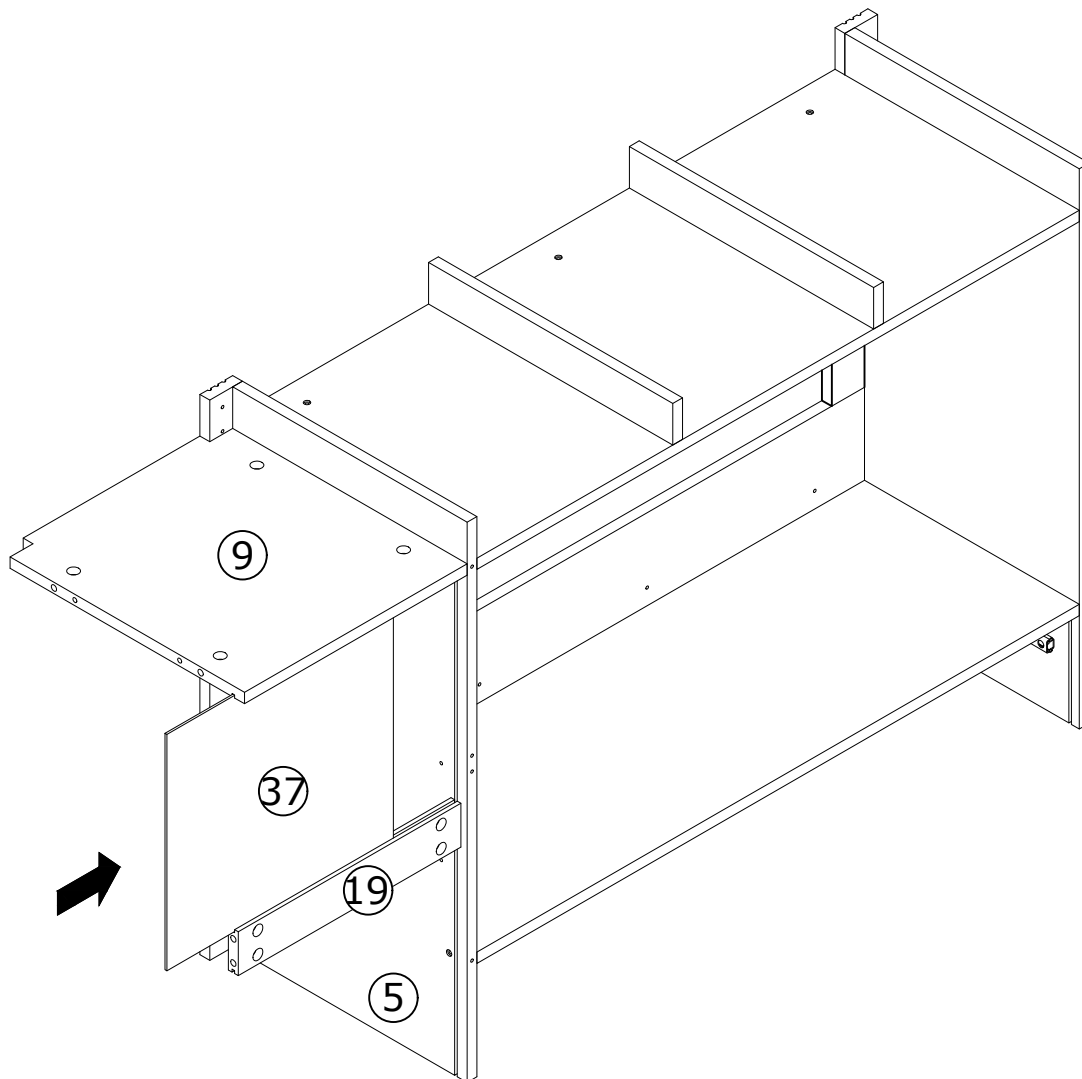
Be careful! At least two people are required



<p>(B)</p>  <p>M15*10mm Cam lock x 4</p>	<p>(C)</p>  <p>M6*30mm Dowel x 2</p>
---	---

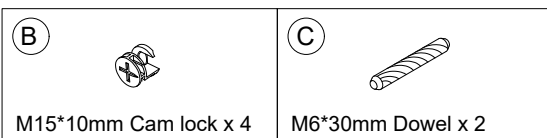
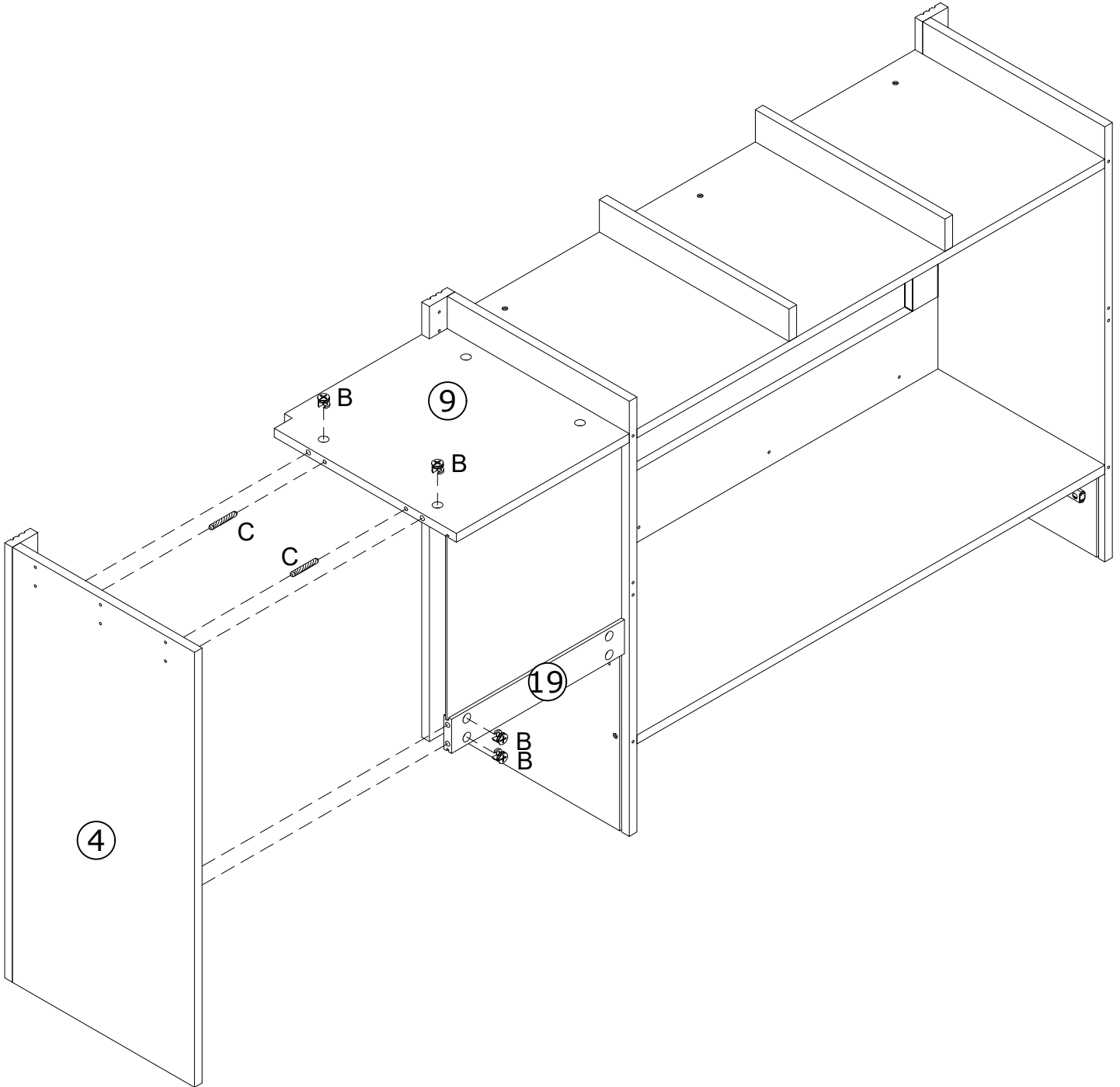
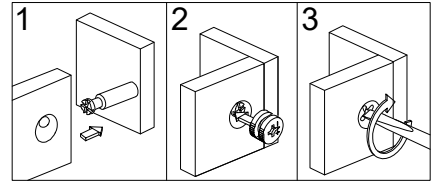
Assembly Instructions

Step 25



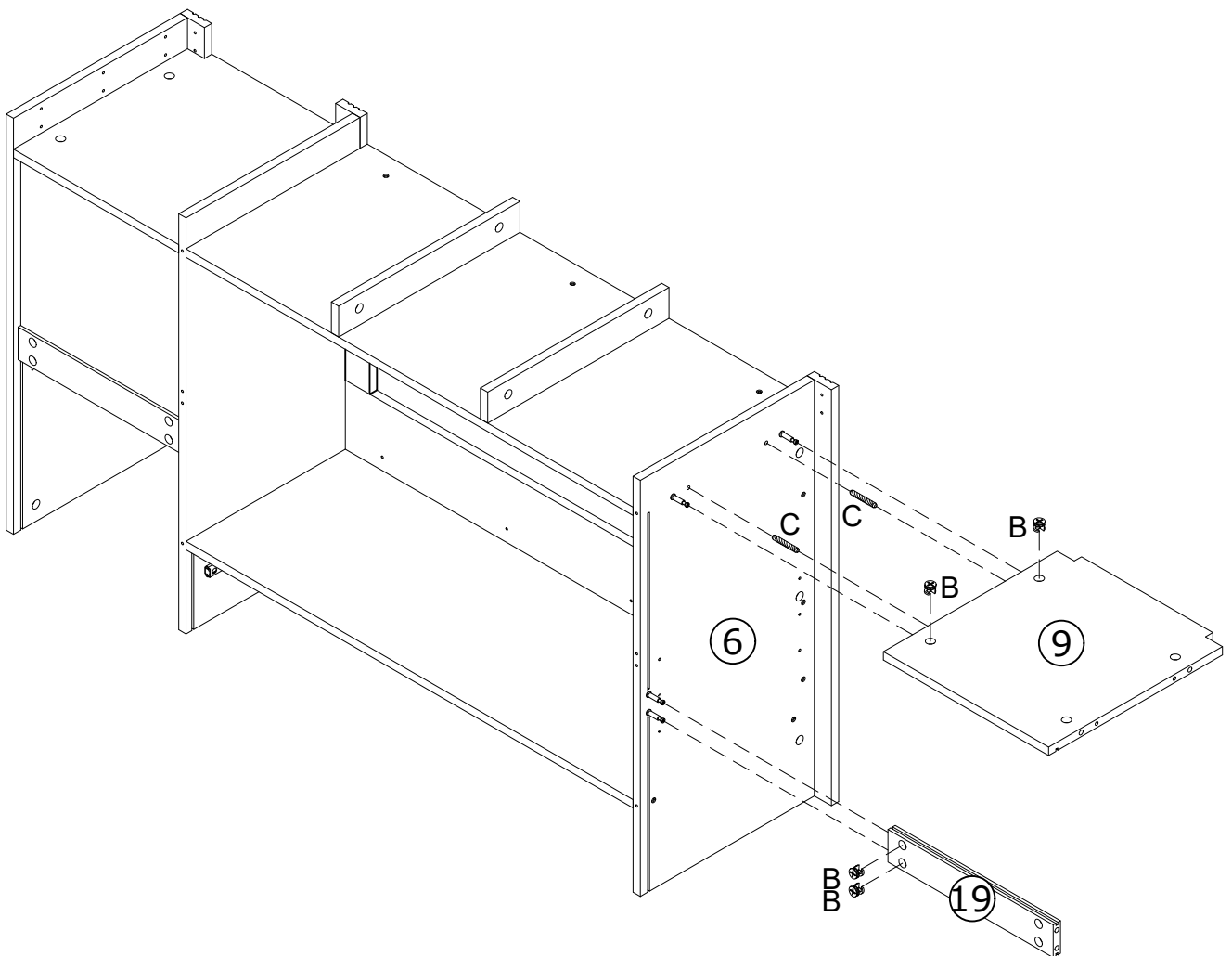
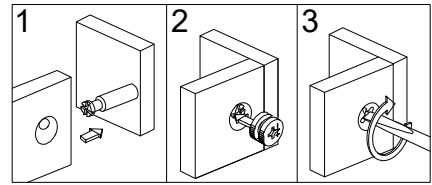
Assembly Instructions



Step 26



Assembly Instructions

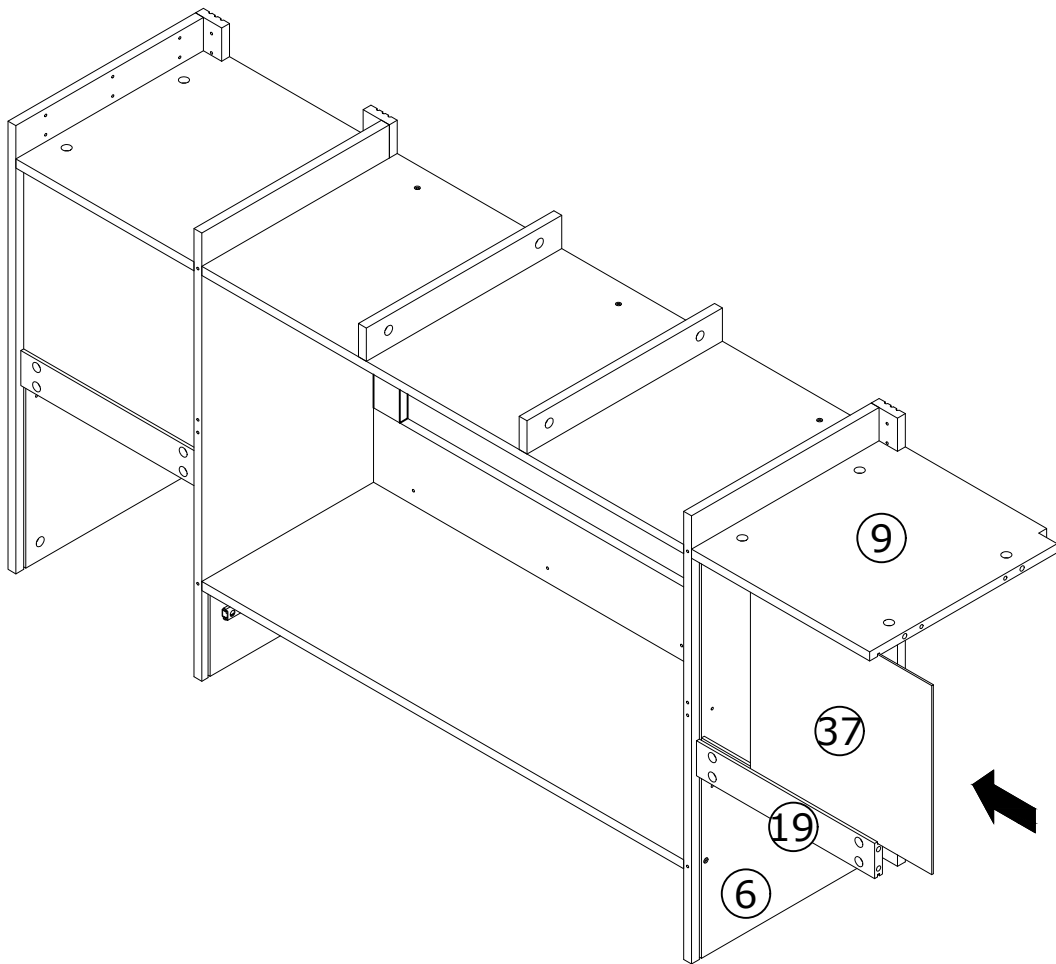
Step 27



<p>B</p>  <p>M15*10mm Cam lock x 4</p>	<p>C</p>  <p>M6*30mm Dowel x 2</p>
--	--

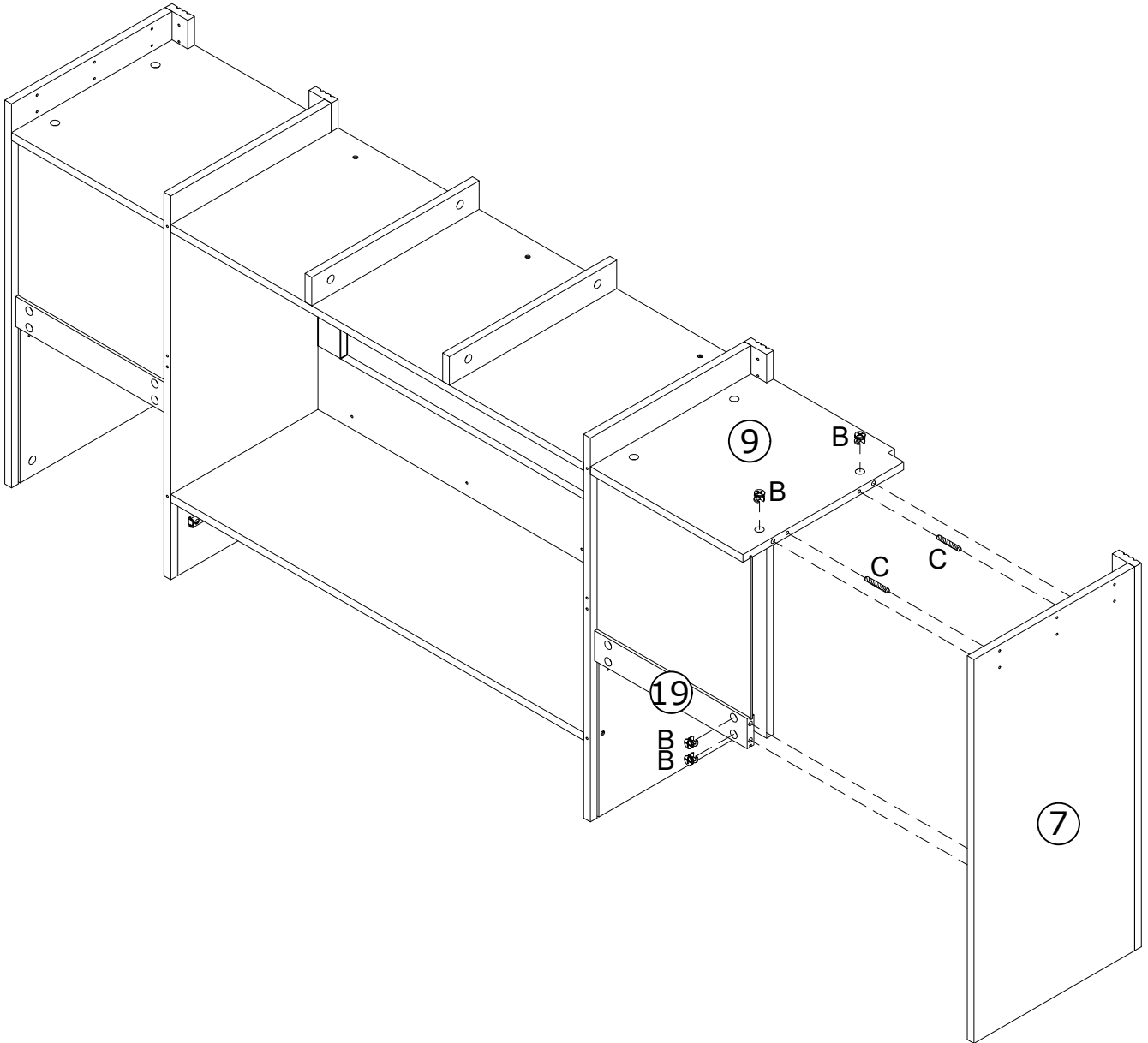
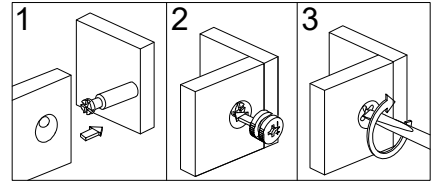
Assembly Instructions


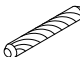
Step 28



Assembly Instructions

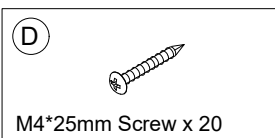
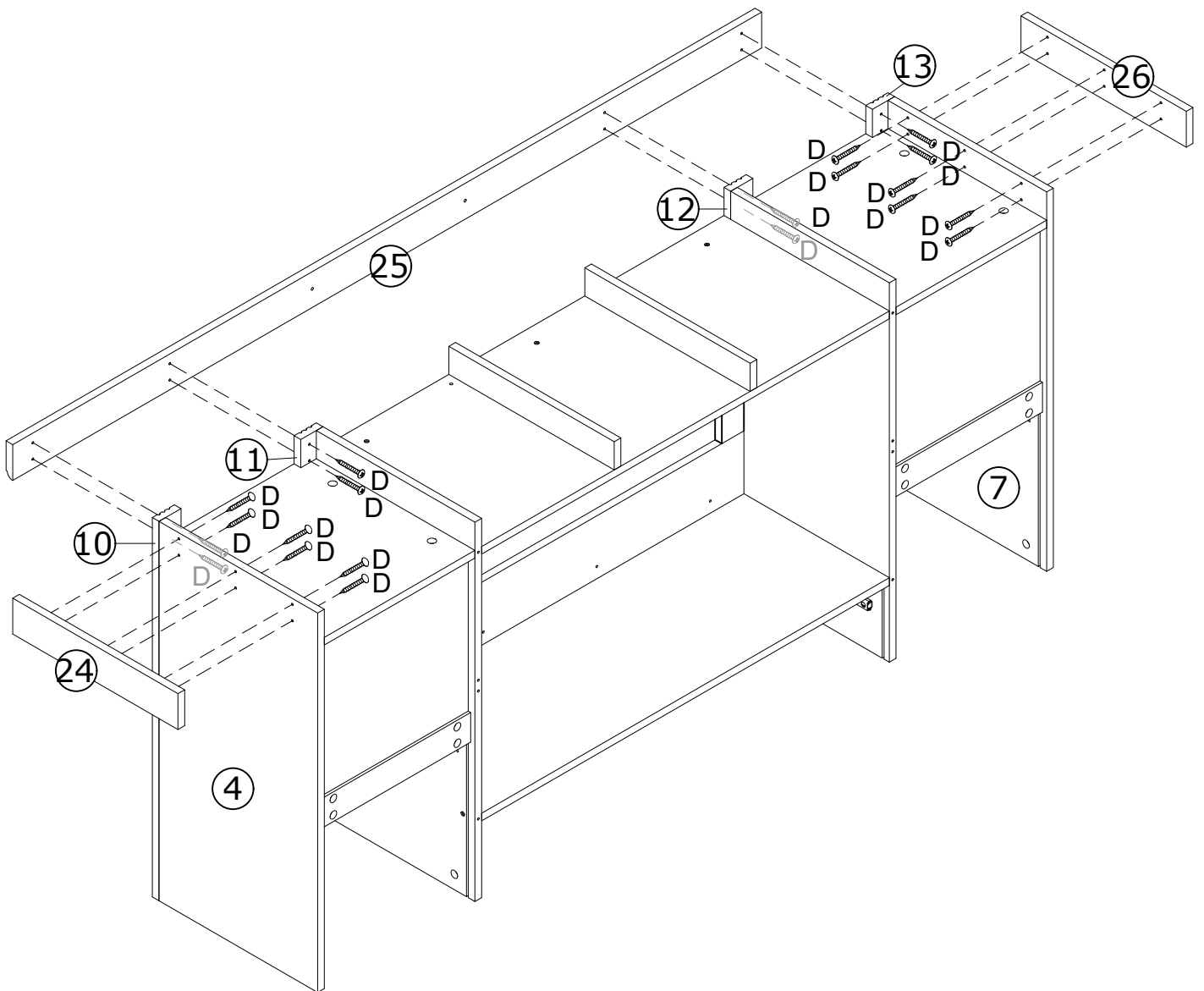
Step 29



<p>(B)</p>  <p>M15*10mm Cam lock x 4</p>	<p>(C)</p>  <p>M6*30mm Dowel x 2</p>
---	---

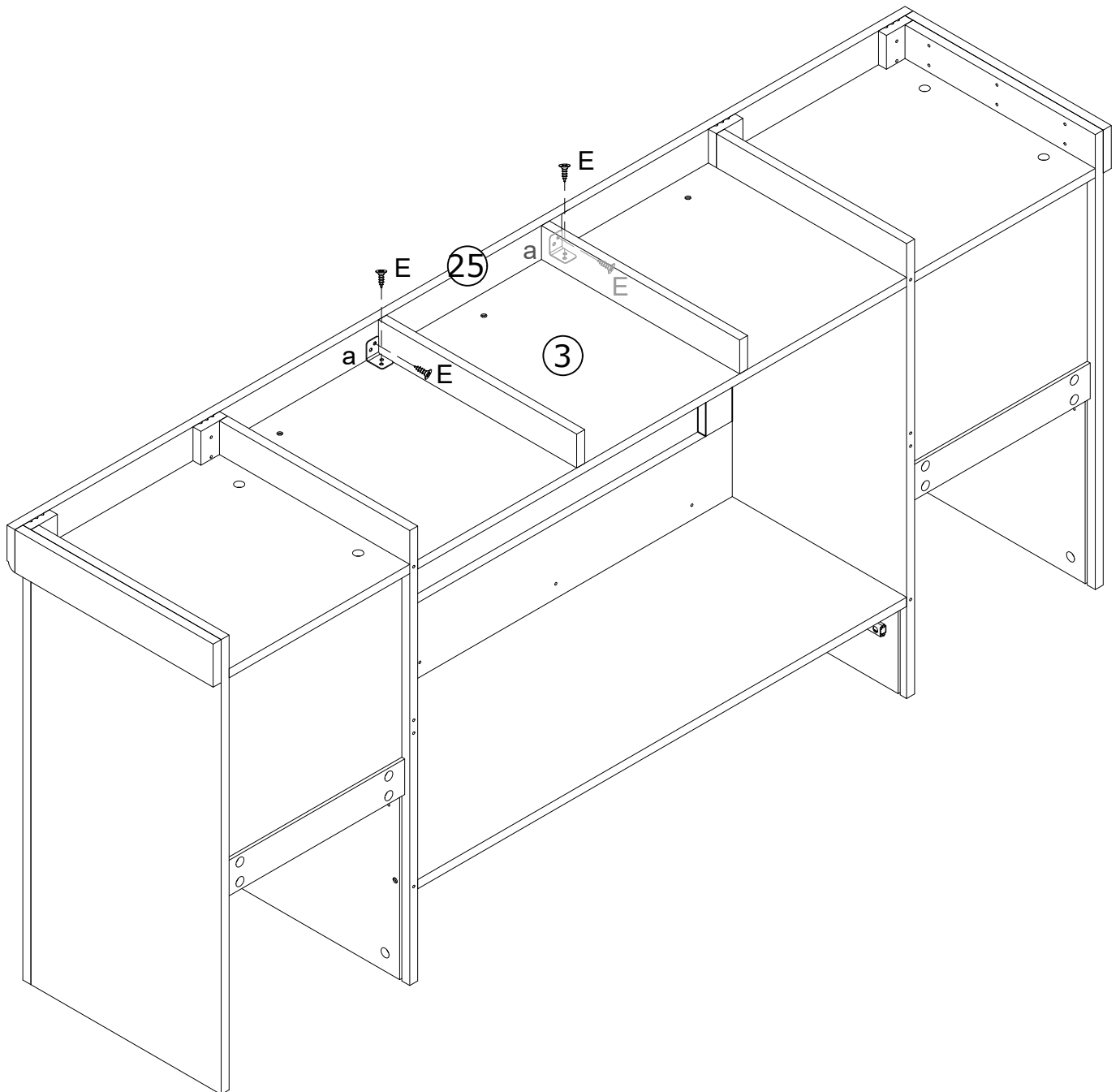
Assembly Instructions

Step 30



Assembly Instructions

Step 31



(E)



M3*12mm Screw x 4

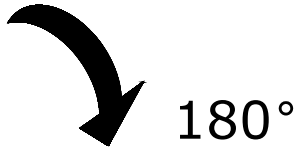
(a)



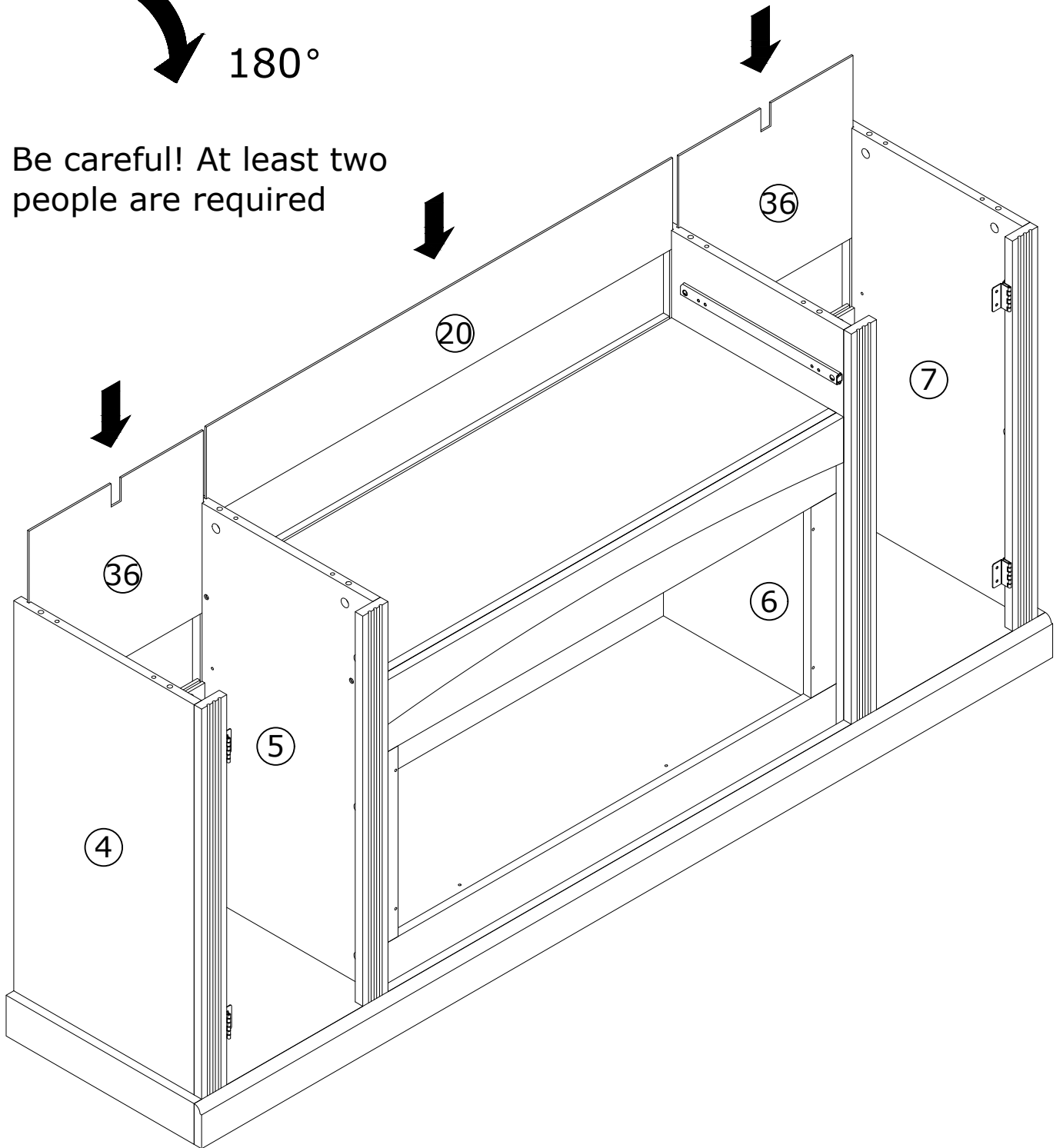
Metal Plate x 4

Assembly Instructions

Step 32

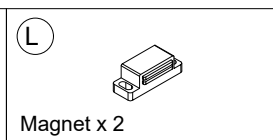
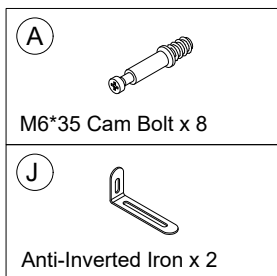
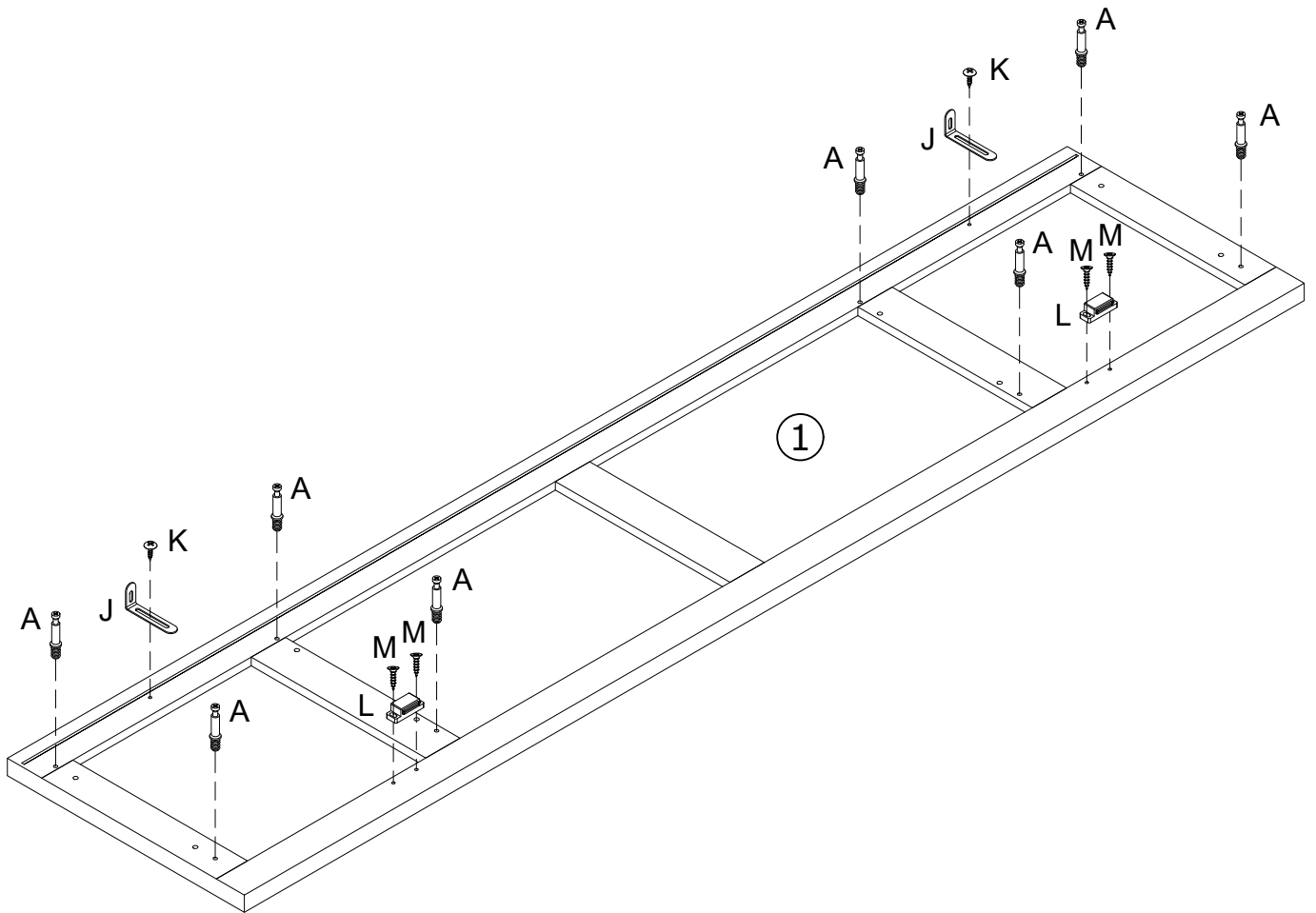


Be careful! At least two people are required



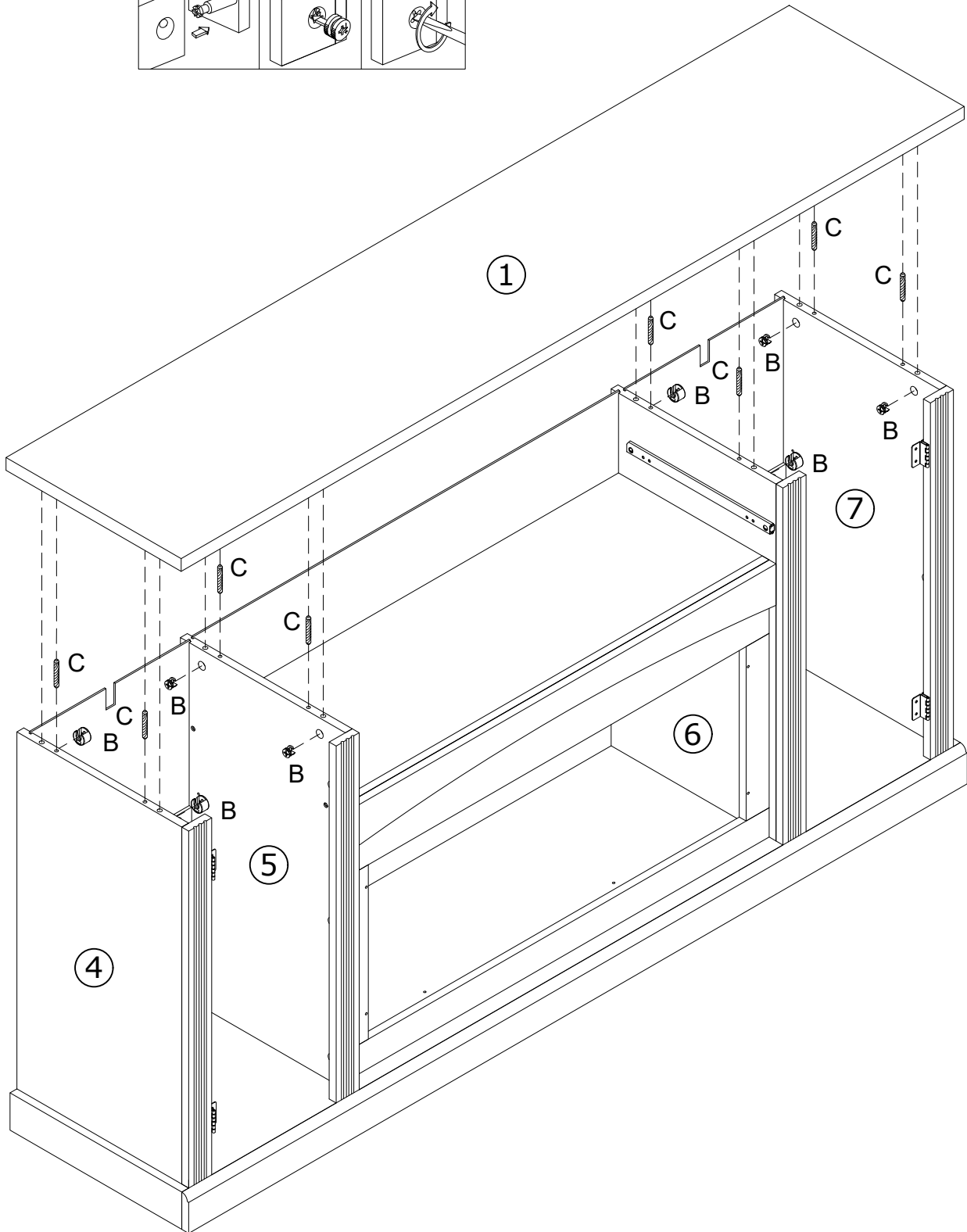
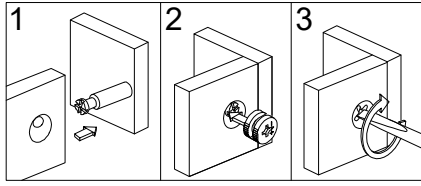
Assembly Instructions


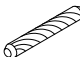
Step 33



Assembly Instructions

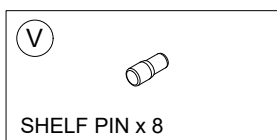
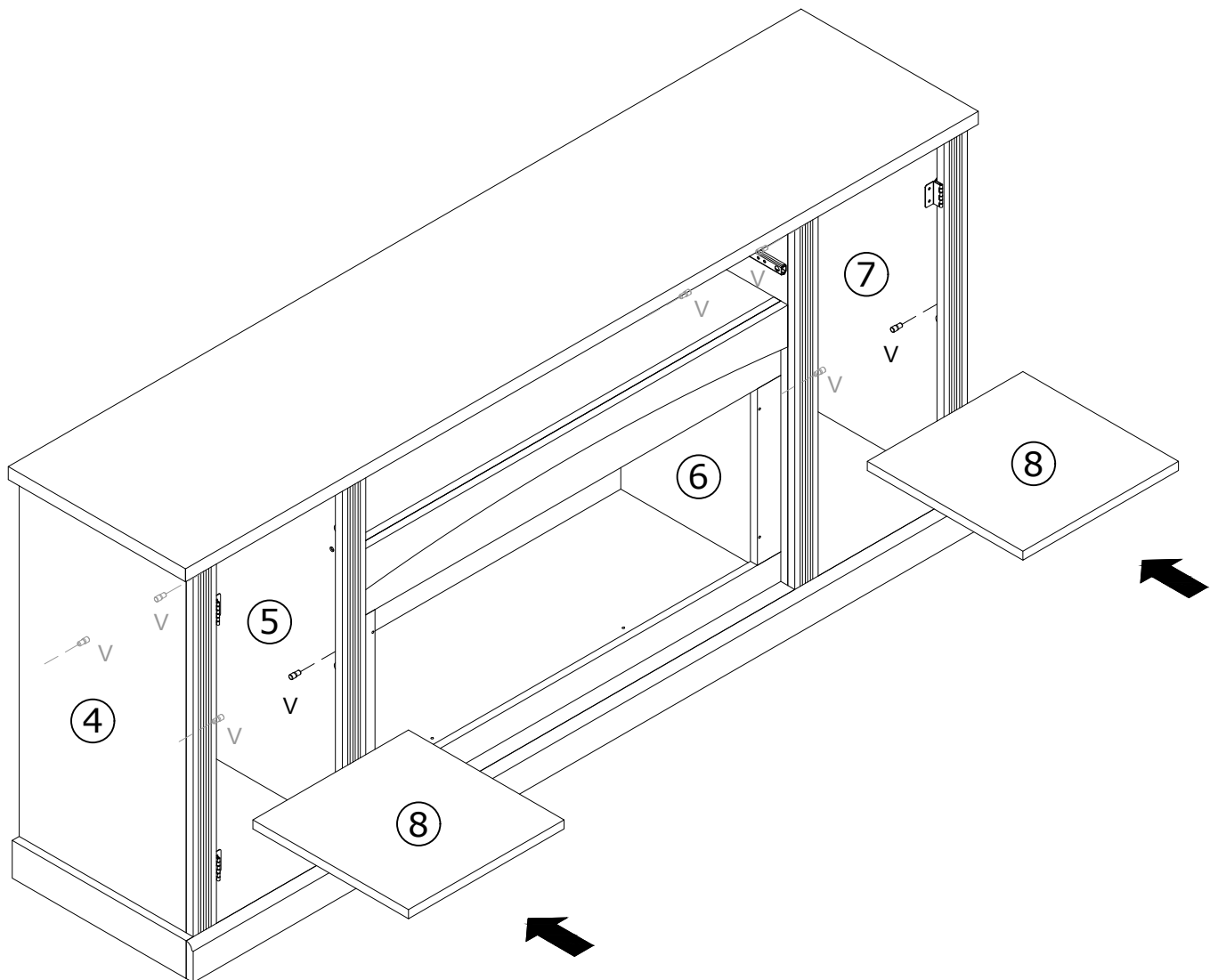
Step 34



B		C	
M15*10mm Cam lock x 8		M6*30mm Dowel x 8	

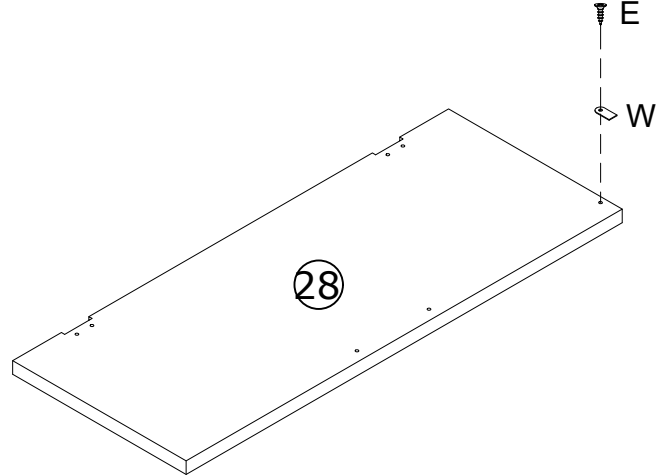
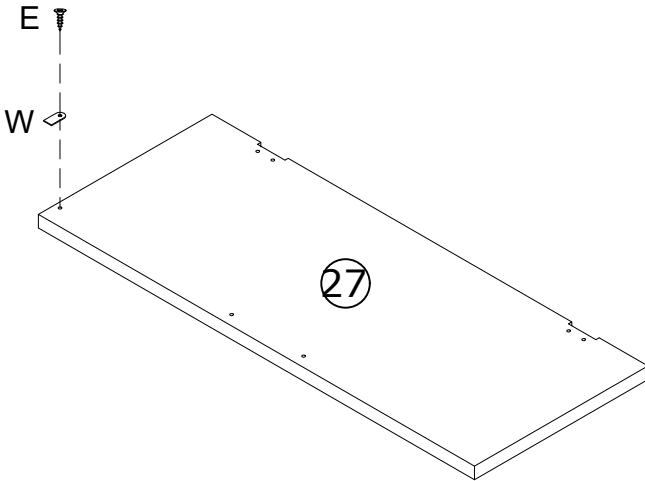
Assembly Instructions

Step 35



Assembly Instructions

Step 36



(E)



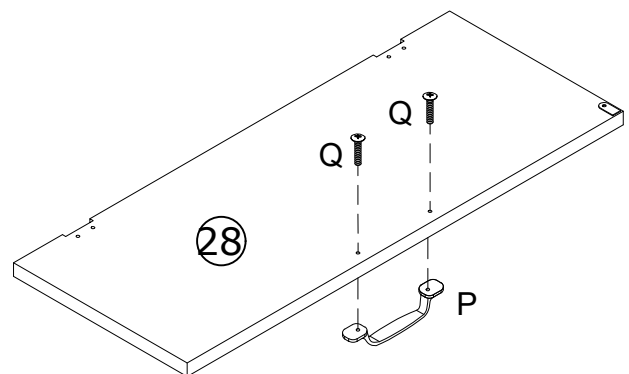
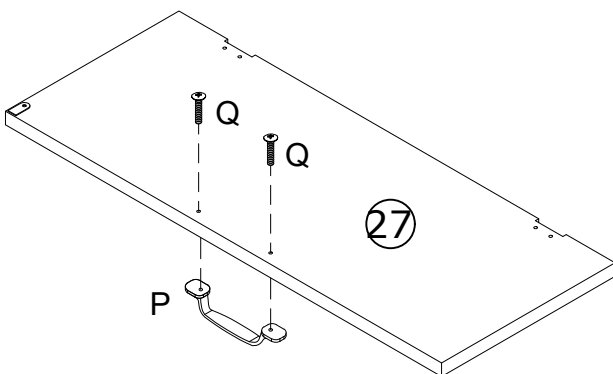
M3*12mm Screw x 2

(W)



Metal Plate x 2

Step 37



(P)



Handle x 2

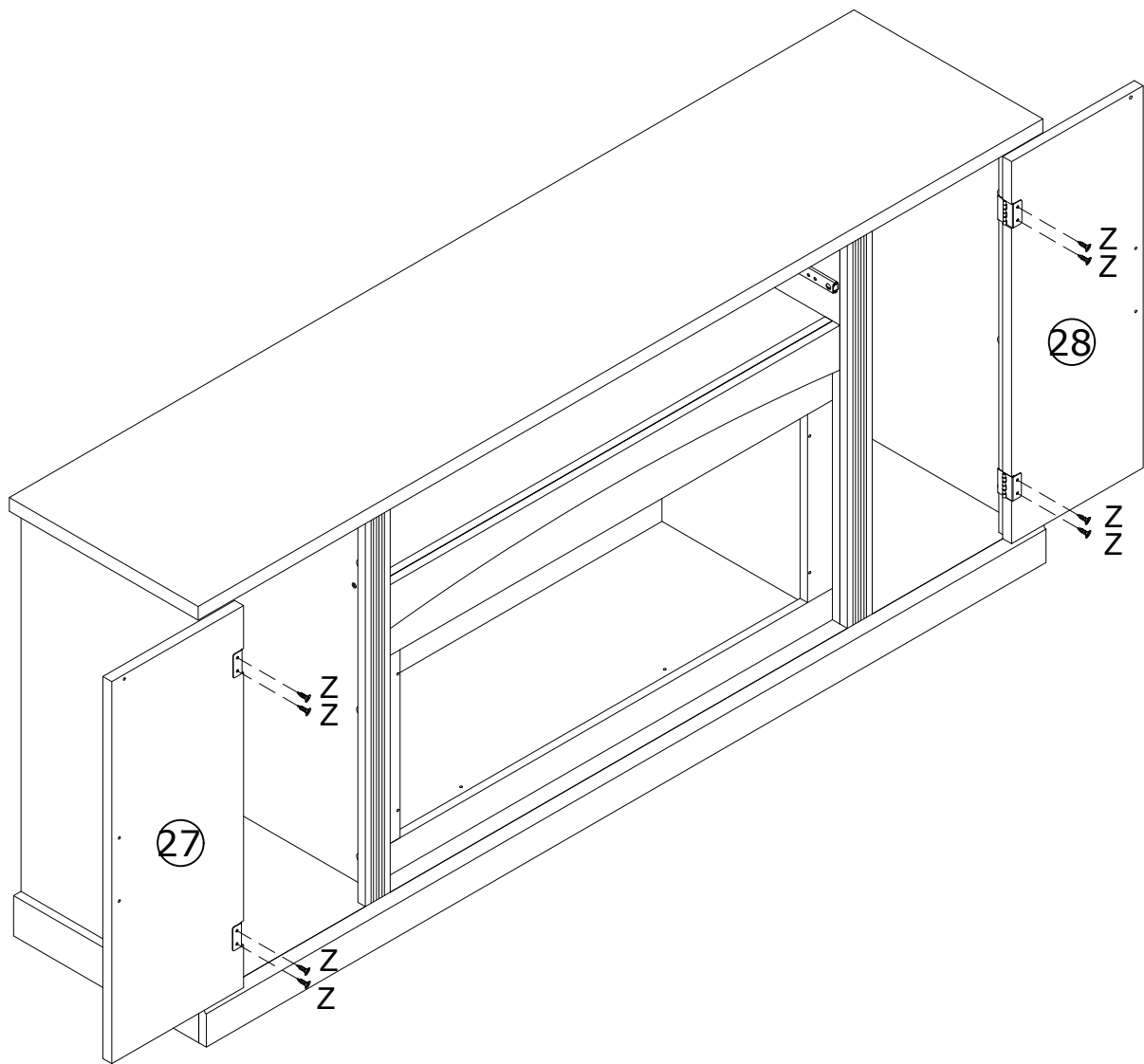
(Q)



M4*20mm Screw x 4

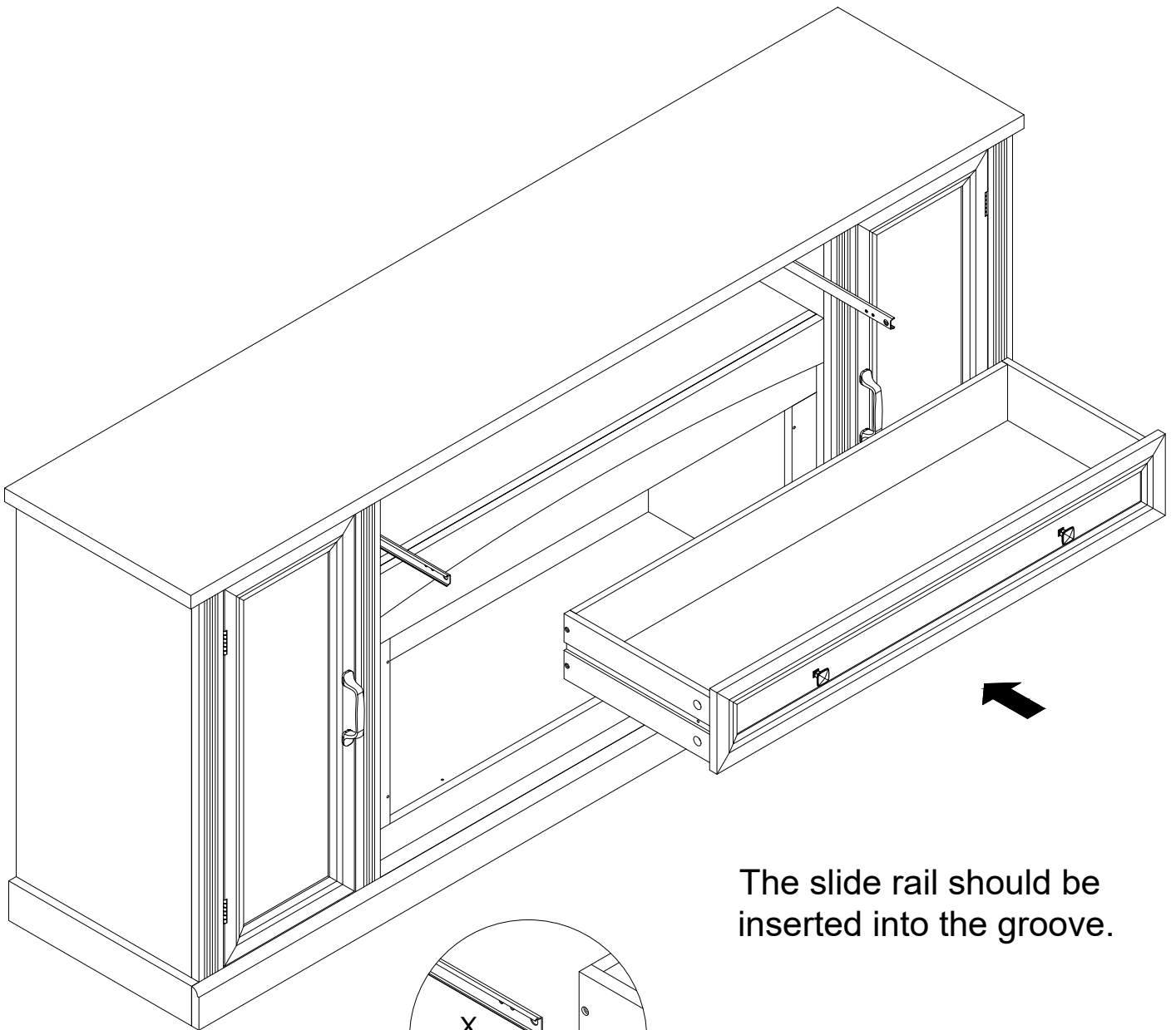
Assembly Instructions

Step 38



Assembly Instructions

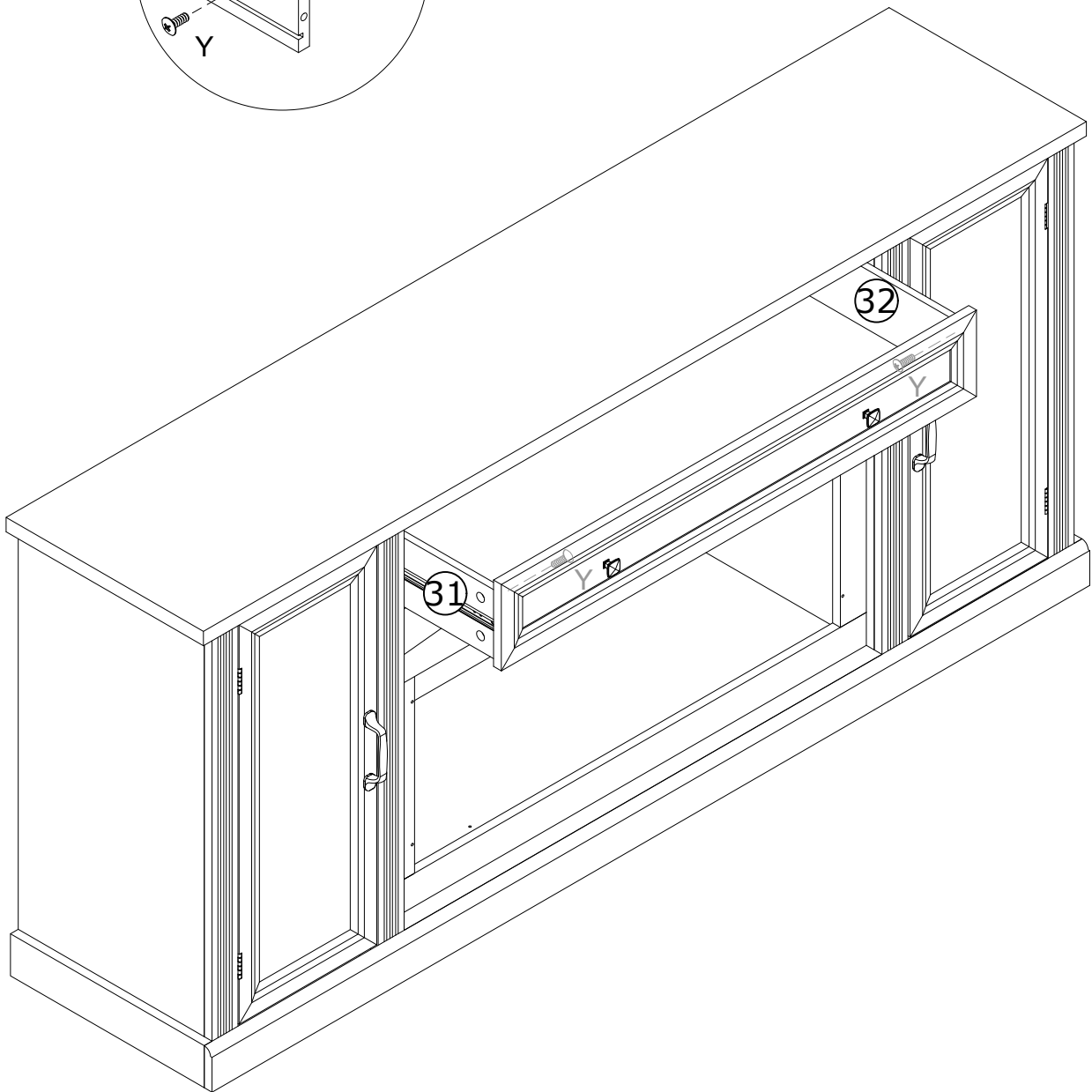
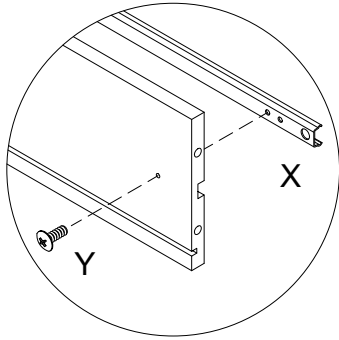
Step 39



The slide rail should be inserted into the groove.

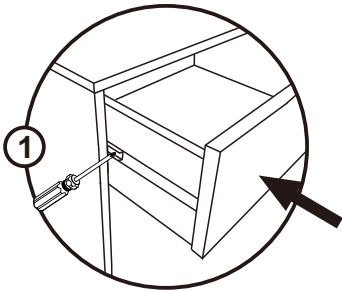
Assembly Instructions

Step 40

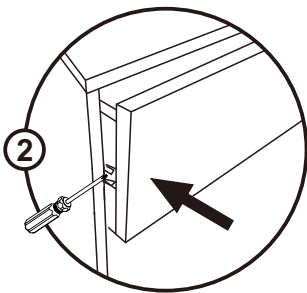


Assembly Instructions

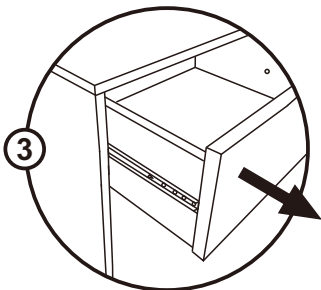
You may need patience to get a perfect smooth slide of drawer experience, and we appreciate your patience. Asking for a second person to assist you will simplify the process.



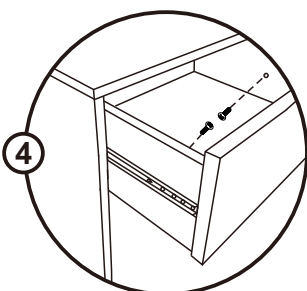
1. Align Components: Position the groove on the drawer side to match the rail profile. Insert a precision tool (e.g., screwdriver tip) into the outermost hole of the slide rail. Ensure both sides are aligned symmetrically.



2. Slide Drawer Inward: Gently push the drawer into the cabinet until slide come up against drawer front. This step needs to be done simultaneously for both sides.



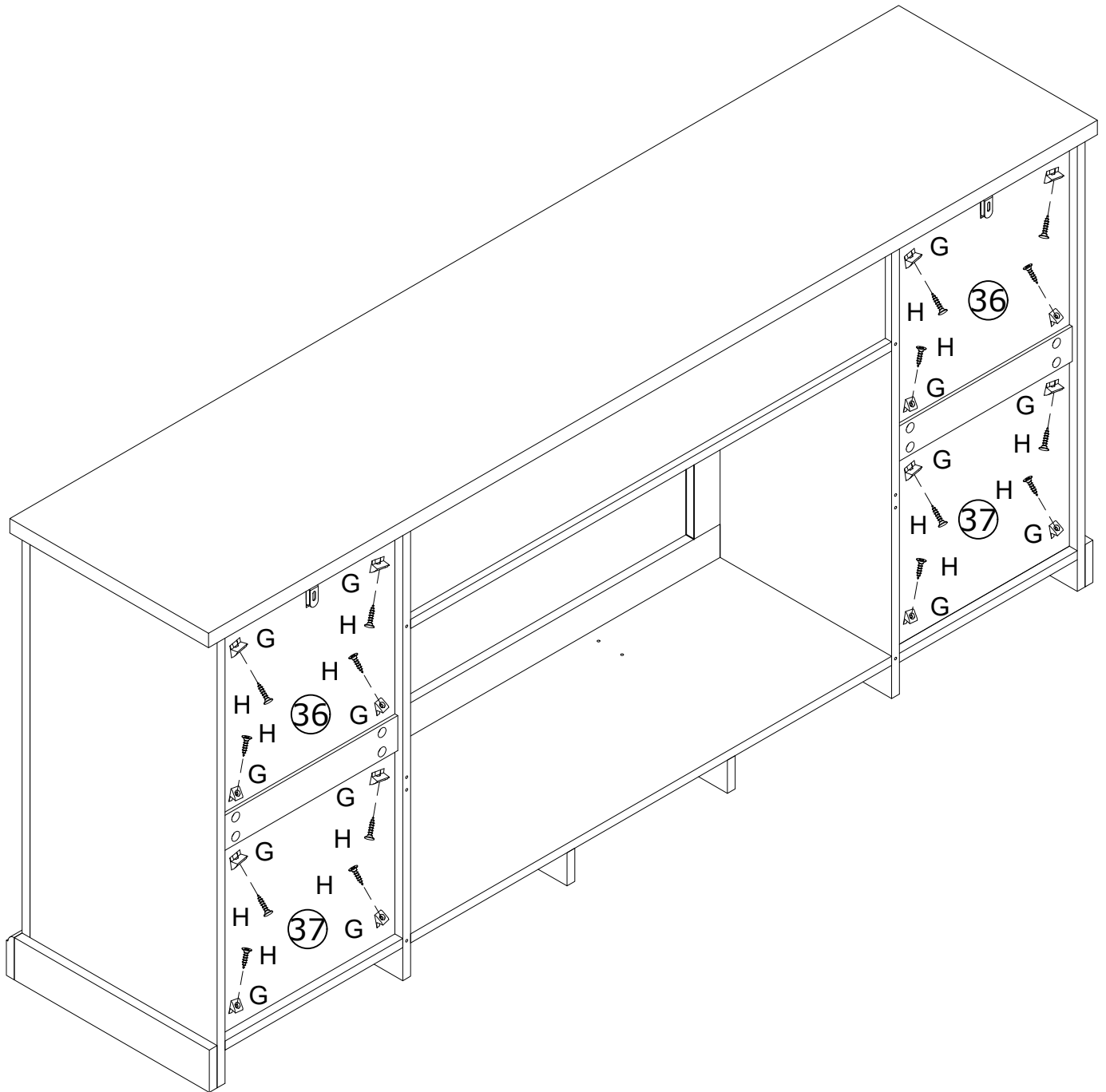
3. Secure & Adjust: While maintaining pressure on the tool, slowly pull the drawer outward until slide can not be moved.





4. Finalize Installation: Locate the pre-drilled mounting holes where the rails meet the drawer sides. Securely tighten all screws on both sides.

Assembly Instructions

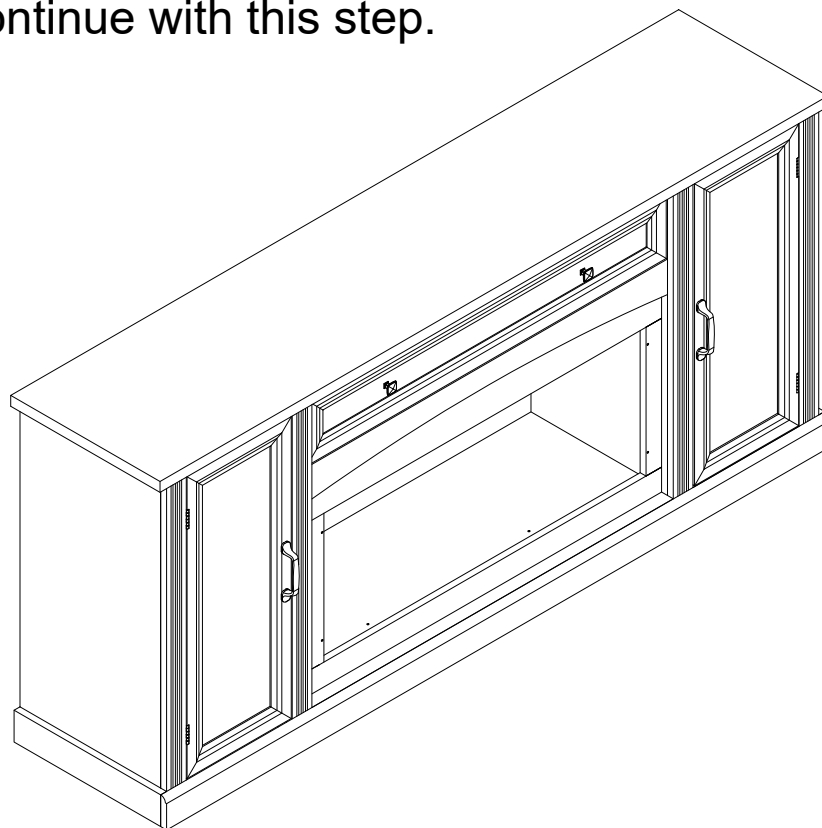
Step 41



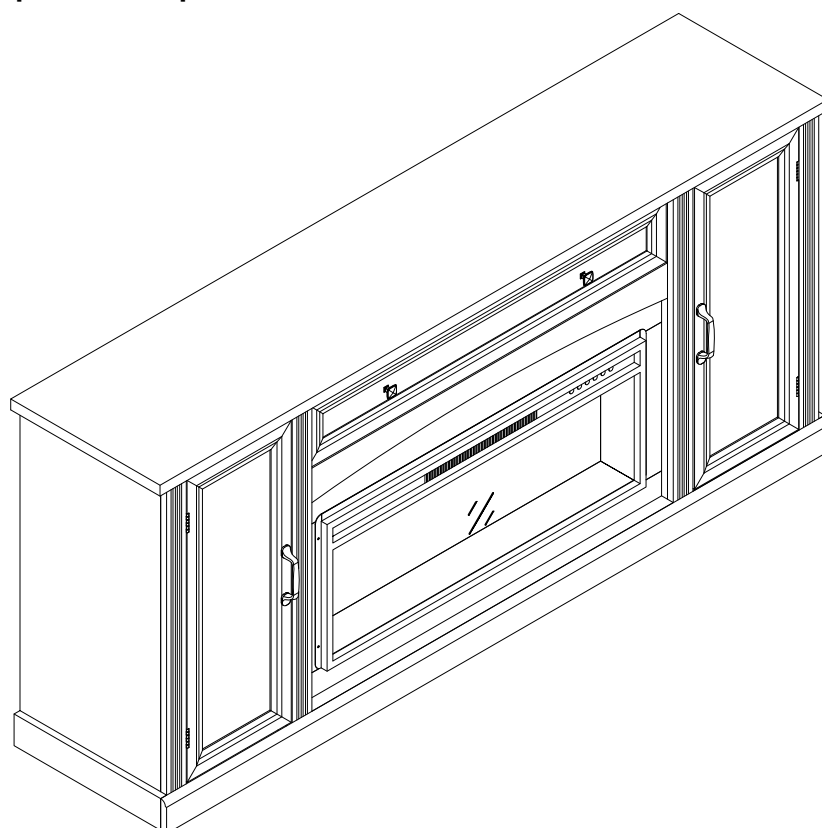
<p>G</p>  <p>Plastic Connector x 16</p>	<p>H</p>  <p>M3*16mm Screw x 16</p>
---	---

Assembly Instructions

If you purchased the version without an electric fireplace, please continue with this step.

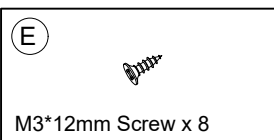
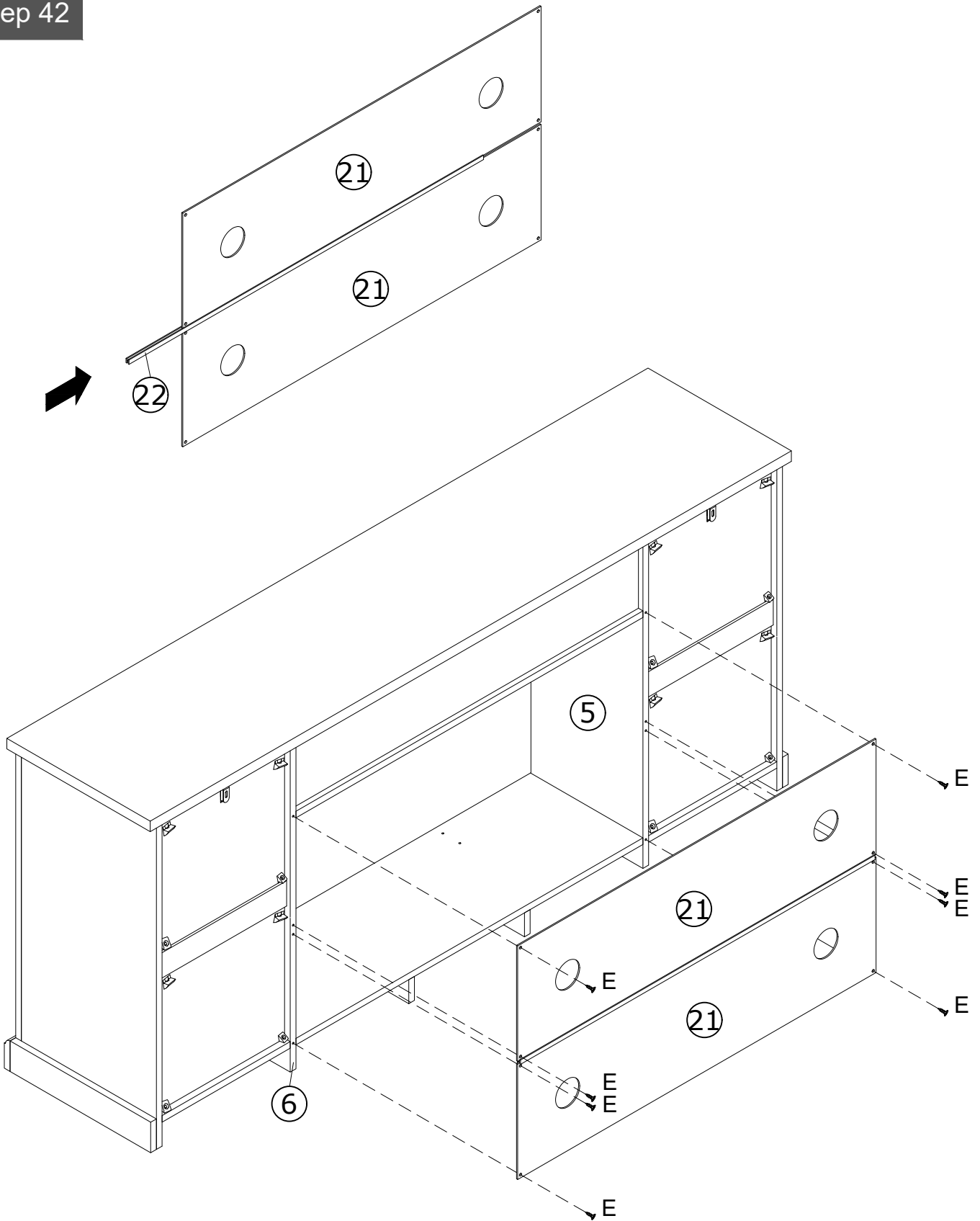


If you purchased the version with an electric fireplace, please skip to Step 44.



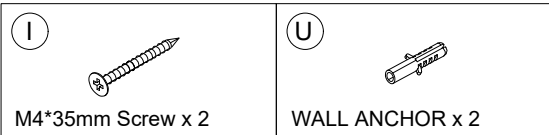
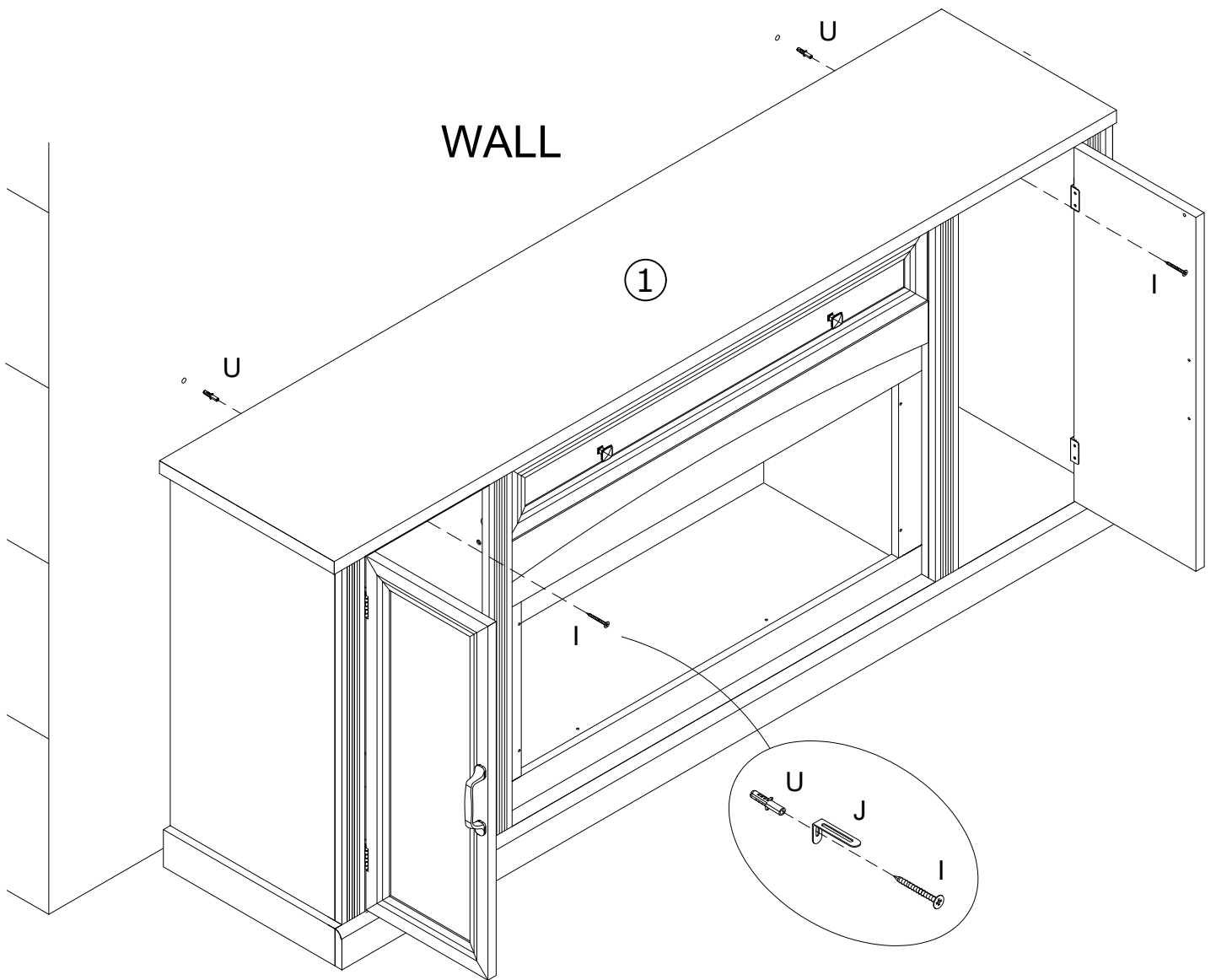
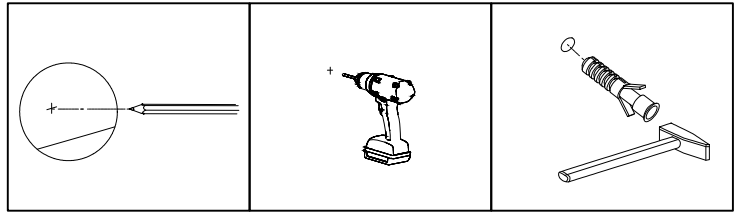
Assembly Instructions

Step 42



Assembly Instructions

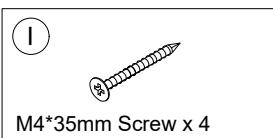
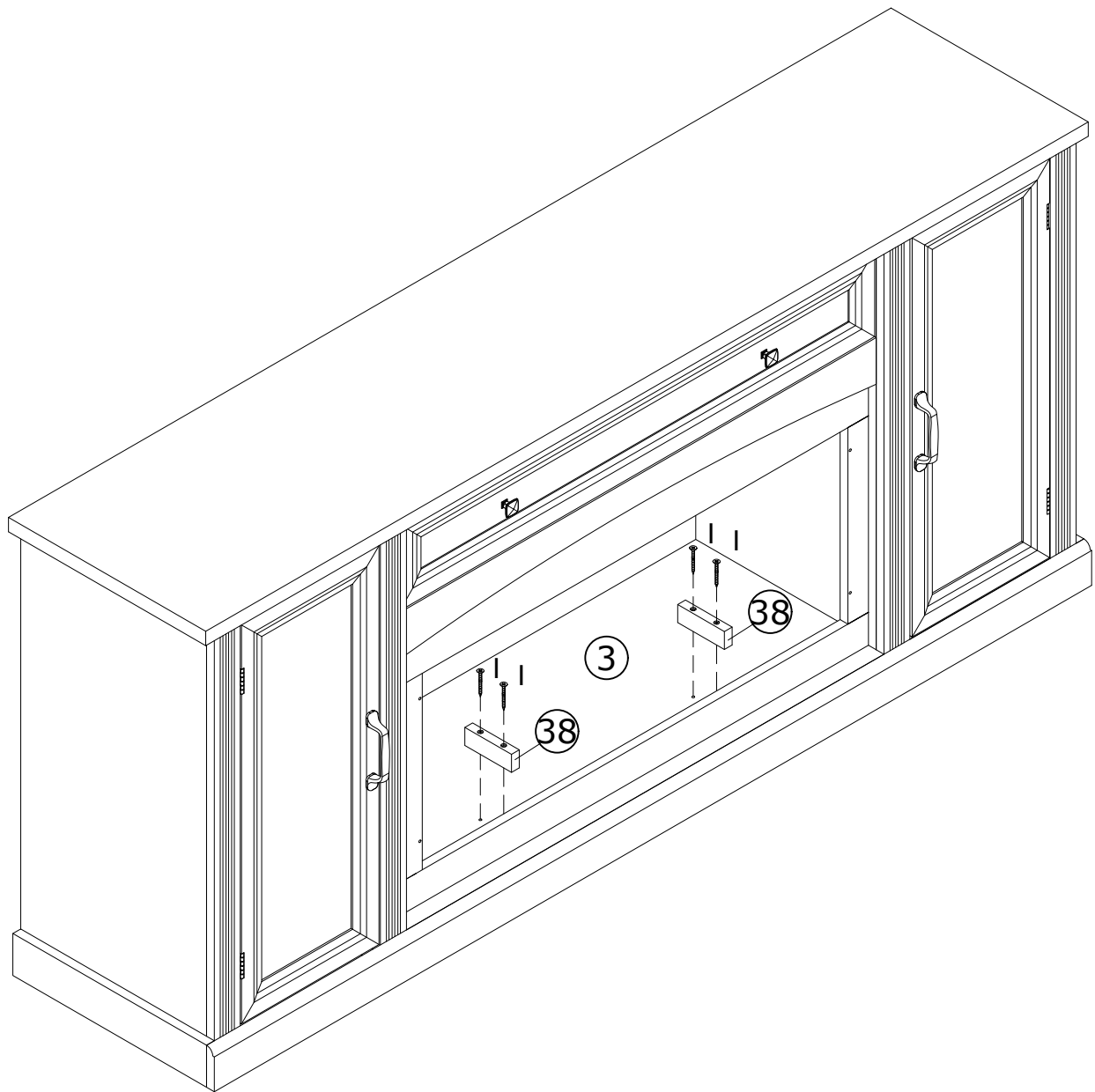
Step 43



Assembly Instructions

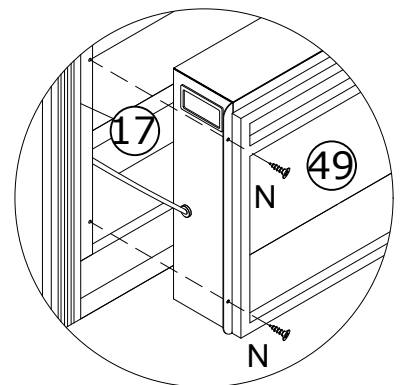
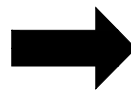
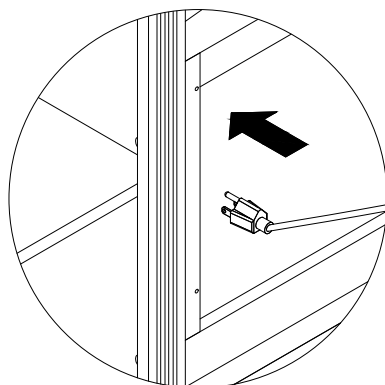
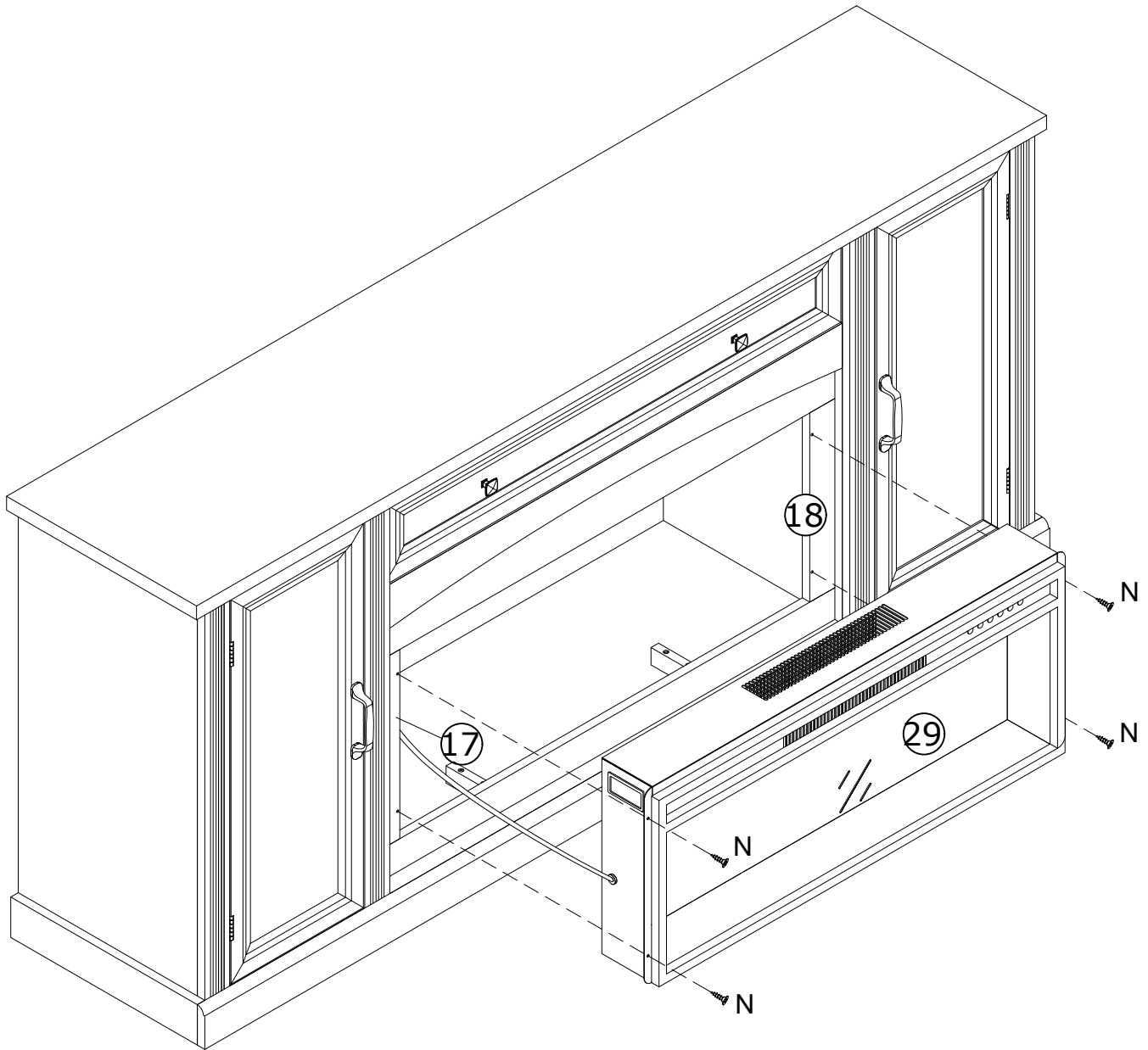
Step 44

Version with electric fireplace



Assembly Instructions

Step 45



Assembly Instructions

Step 46

