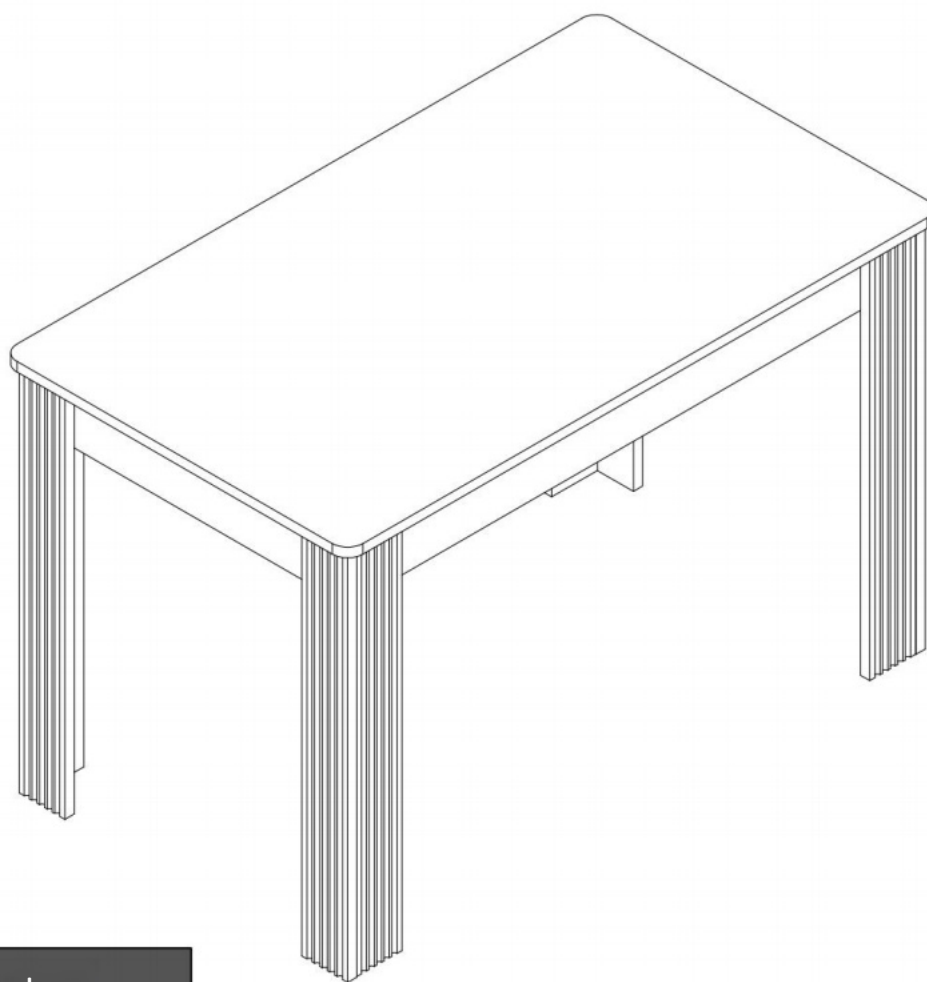


Table

Installation instructions – Please keep for later reference



Dimensions

Width:116cm

Depth:65cm

High:75cm

Important:Please read this manual in its entirety before starting the assembly process



Safety and care instructions

Important – Please read this guide in its entirety before starting the installation process

- Check that all of them are on the components and tools listed on the following pages.

- Remove all accessories from the plastic bags and divide them into their groups.

- Keep children and animals away from Remote work area, small parts could suffocate if swallowed.

- Make sure you have enough space to arrange the pieces before you start

- Do not stand on the product or strain it during assembly, this could lead to damage.

- Mount the item as close as possible at its final position (in the same room).

- Mount the device on a soft, flat surface to avoid damaging the device or your floor.

- Parts of the assembly are easier with 2 people.



- In order to Probability of Damage to your product, please make sure that your drill is set to a low Torque setting is set.

Care and maintenance

- Clean only with a damp cloth and a mild detergent, no bleach or abrasive cleaners.

- Check from time to time that there are no loose screws on this device condition.

- This product must not be disposed of in household waste. Take it to your local Waste disposal point.

Practical tips

- When assembling, loosely assemble all parts and screws. Only when the product is finished should you fully tighten the screws

- Check regularly and make sure all screws and connectors are properly tightened.

WARNING To prevent it from tipping over, please follow these instructions

To prevent the product from tipping over, please follow the steps below:

Use the included anti-tilt adhesive or wall mounting method (if applicable).

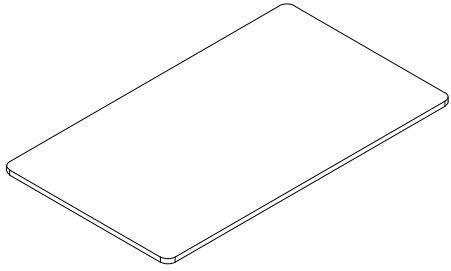
Do not allow children to climb on or hang from the furniture

Do not open more than one drawer at a time

Do not place heavy items in the top drawers

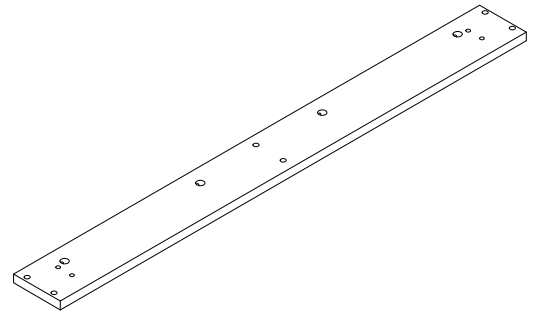
Do not place heavy objects on top of the furniture unless the furniture is designed for this purpose

①



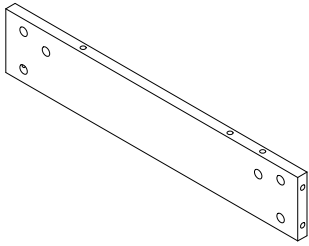
1

②



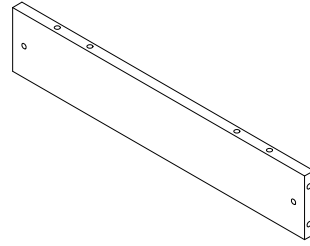
2

③



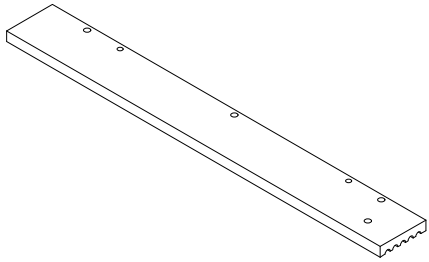
1

④



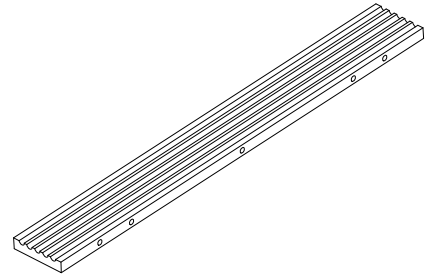
2

⑤



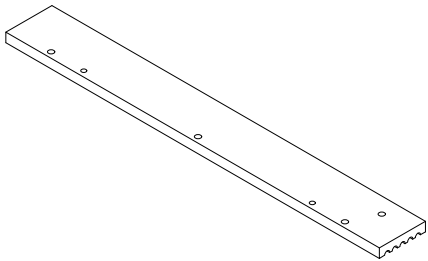
2

⑥



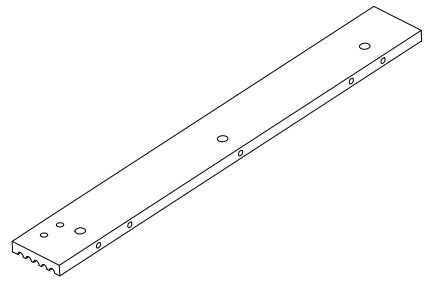
2

⑦

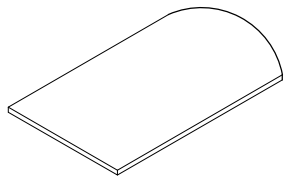


2

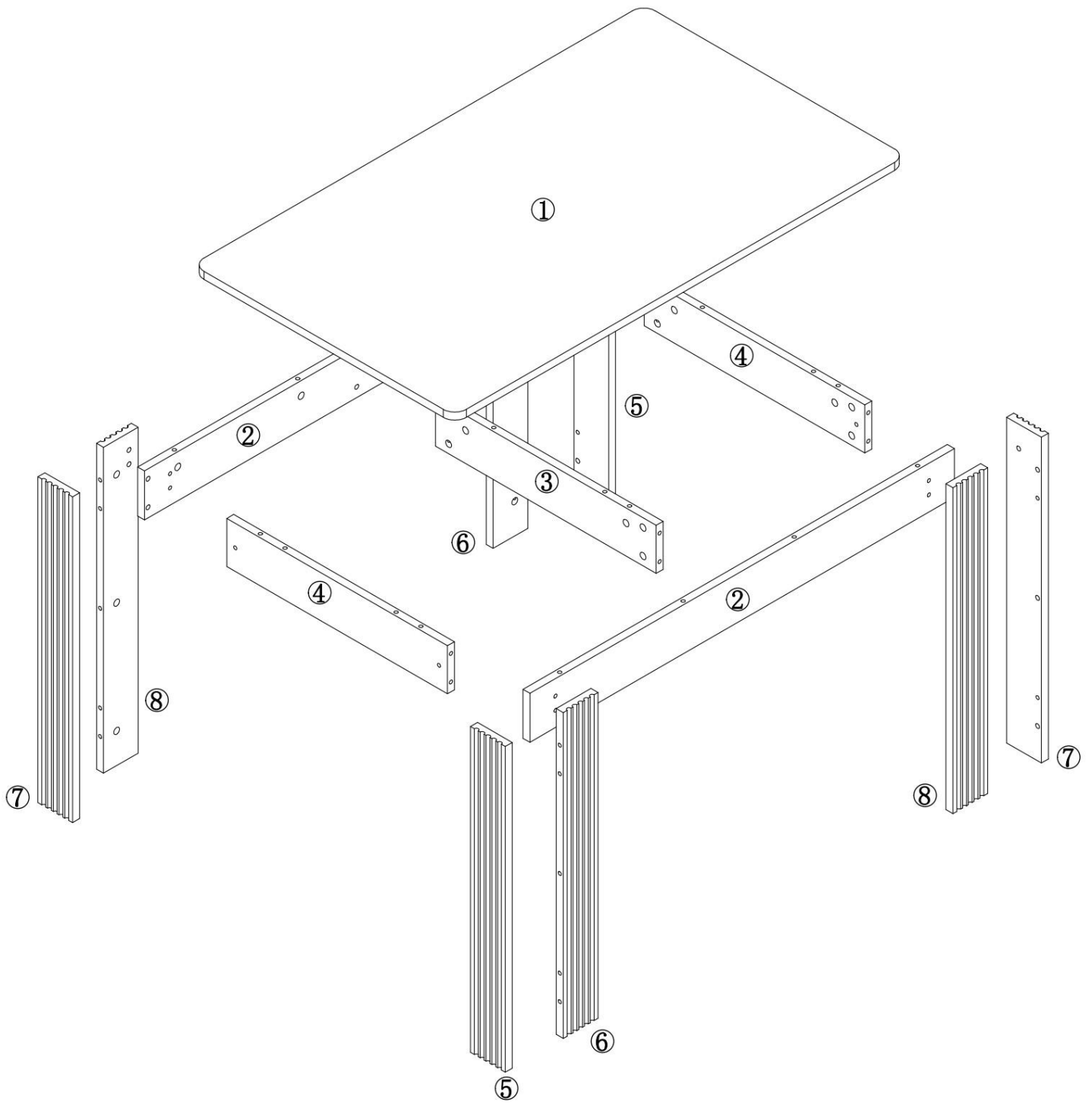
⑧



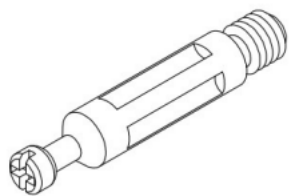
2



Hardware kit



A1



Φ 6x40MM

38 Pcs

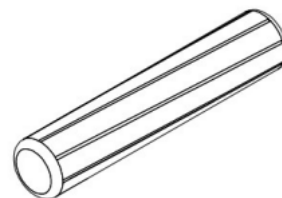
A2



Φ 15x11.5MM

38 Pcs

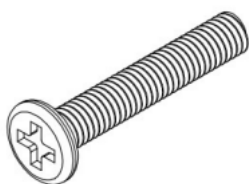
B



Φ 8x40MM

14 Pcs

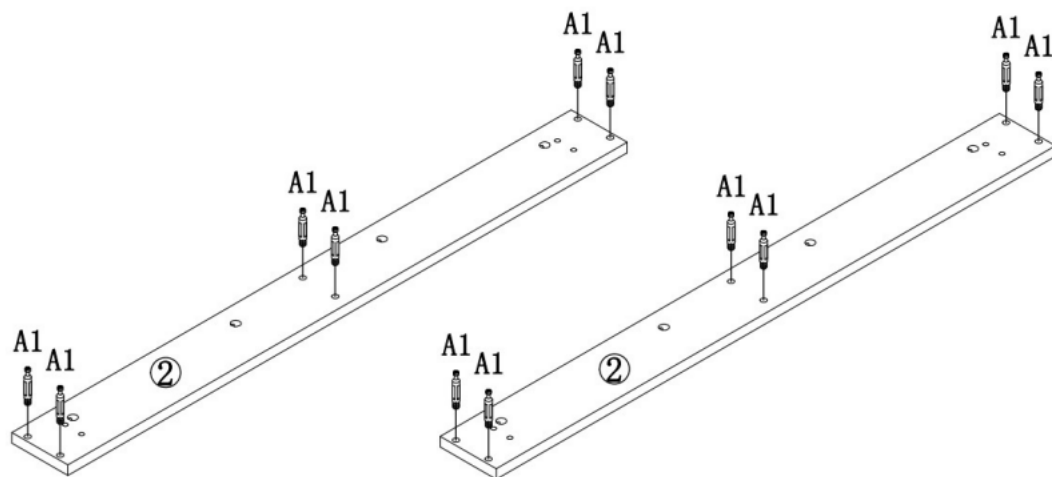
C



M6x25MM

16 Pcs

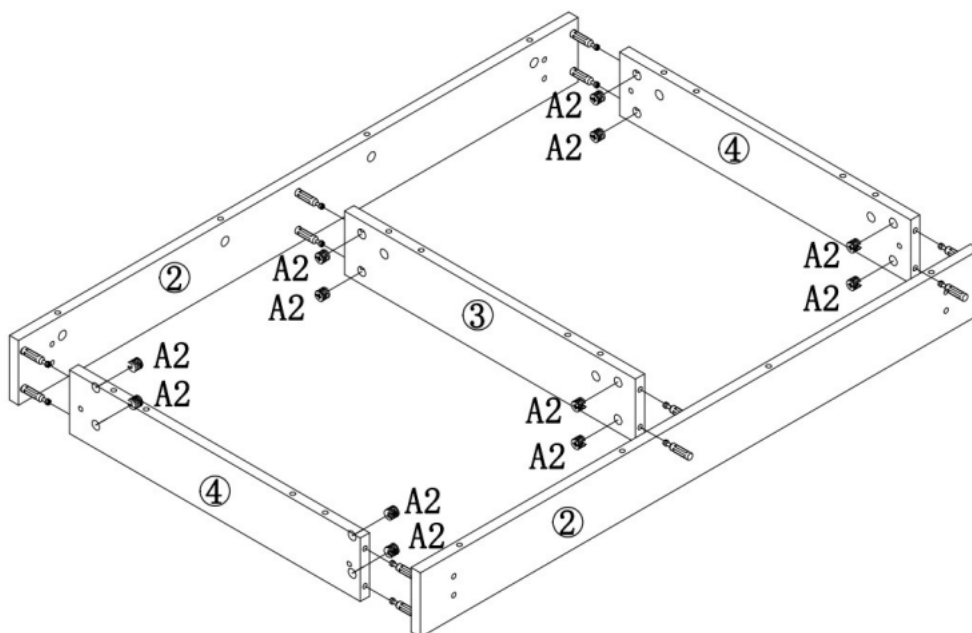
STEP 1



 A1x12

A1 

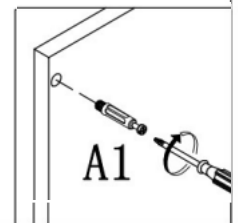
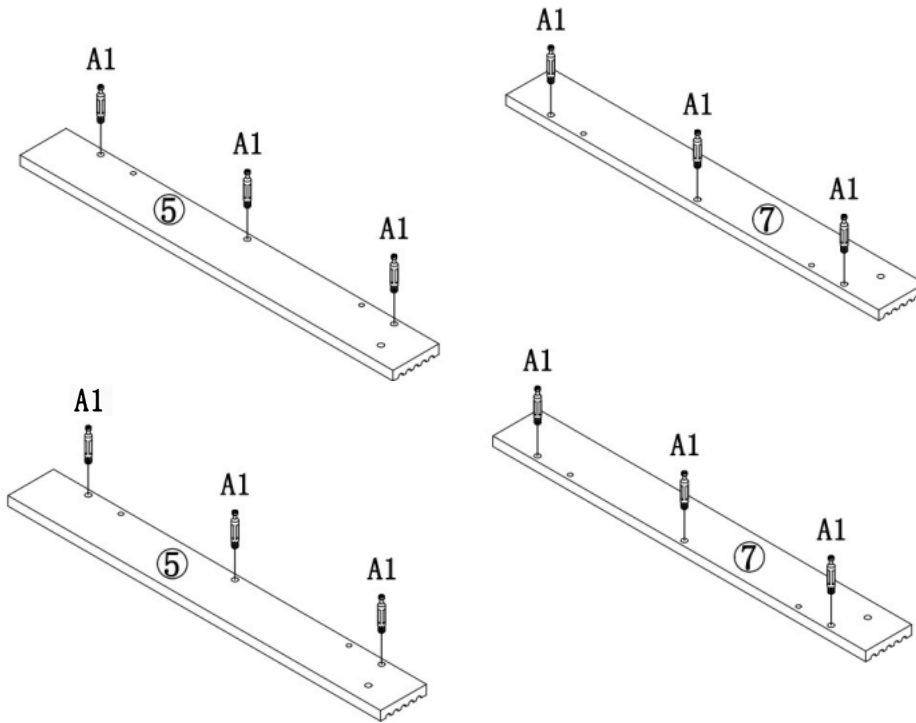
STEP 2



 A2x12

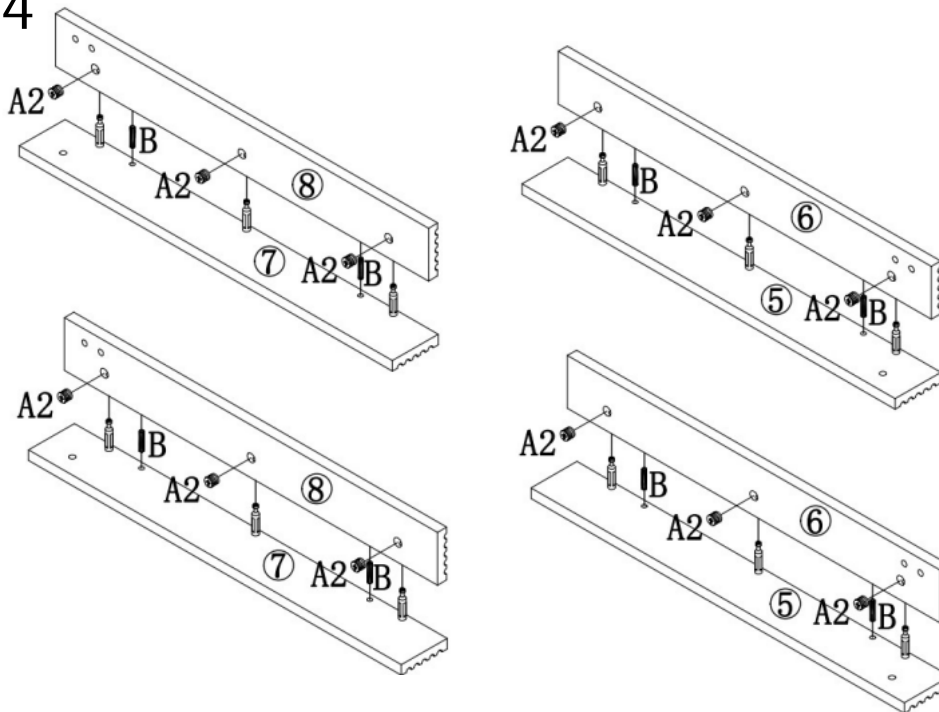
A2 

STEP 3




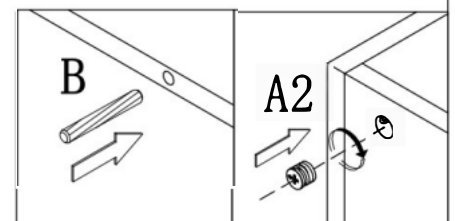
 A1x12

STEP 4

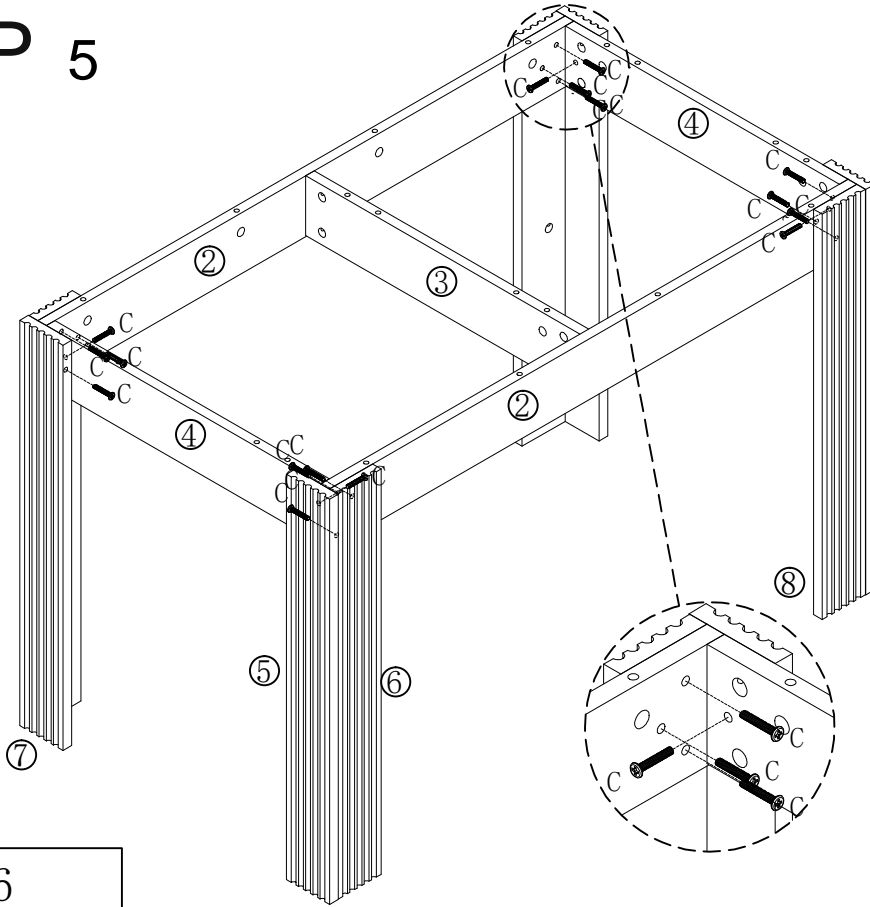


 Bx8

 A2x12

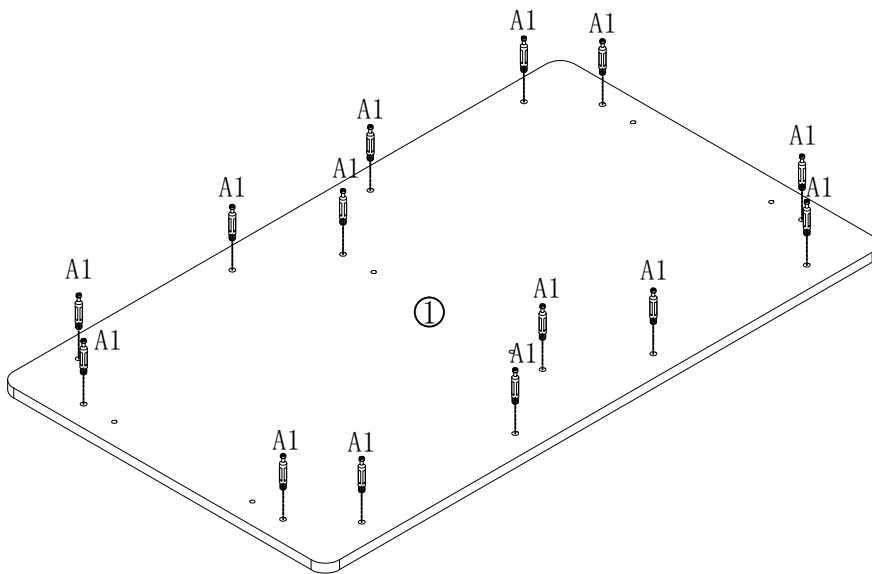


STEP 5

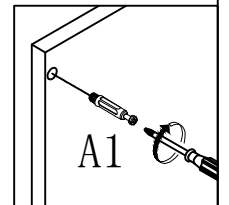


Cx16

STEP 6



A1x14



STEP 7

