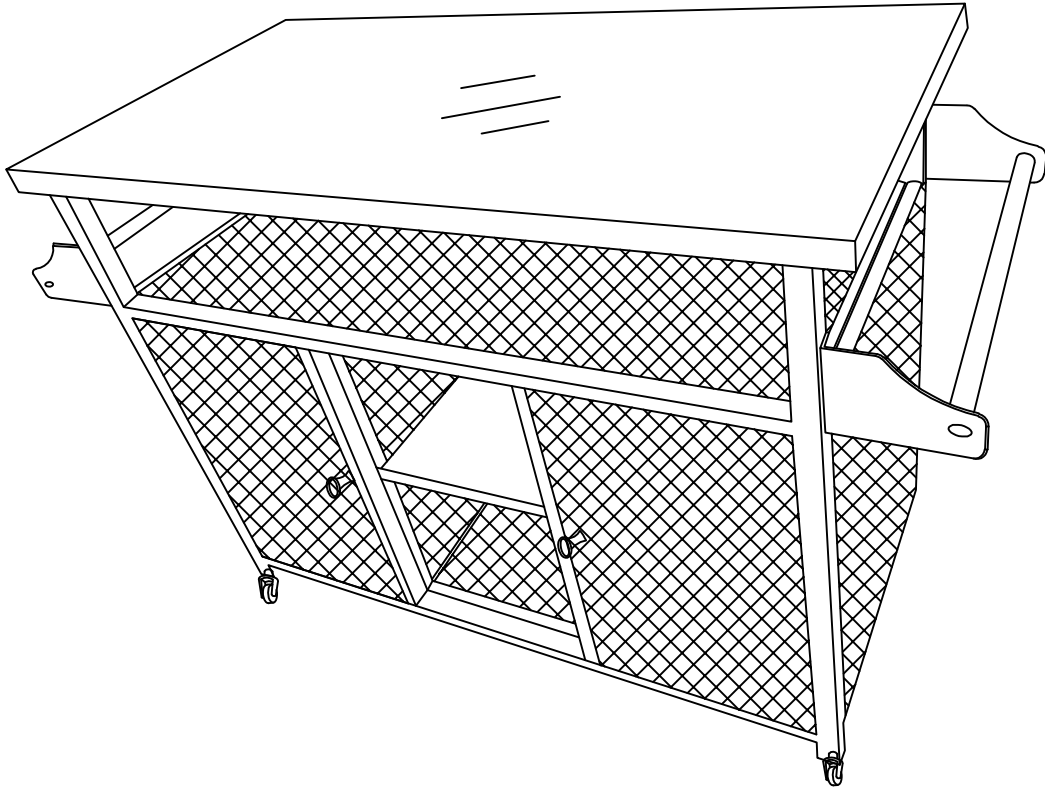


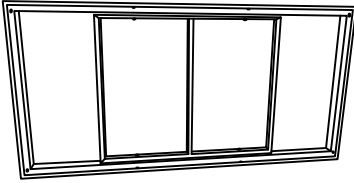
# ASSEMBLY INSTRUCTIONS HFHW-630GR

Wicker Outdoor Storage Cabinet

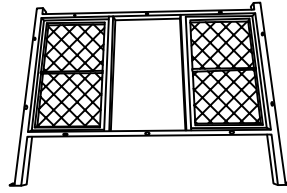


---

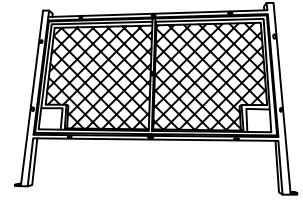
Ⓐ x1



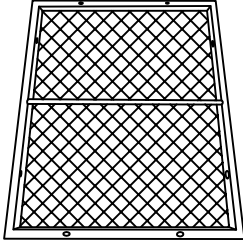
Ⓑ x1



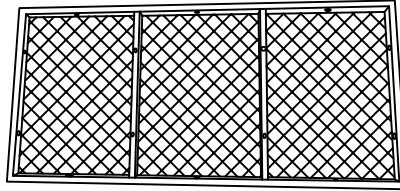
Ⓒ x1



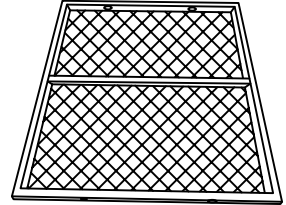
Ⓓ x2



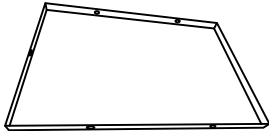
Ⓔ x1



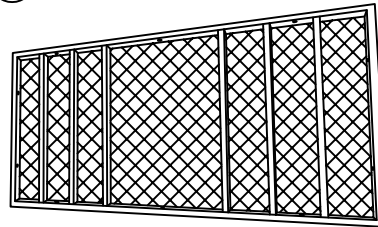
Ⓕ x2



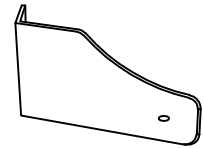
Ⓖ x1



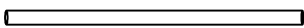
Ⓕ x1



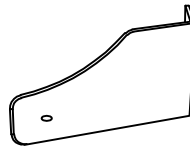
Ⓖ x2



Ⓖ x2



Ⓖ x2

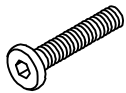


Ⓖ x21



M6\*15

Ⓖ x36



M6\*30

Ⓖ x57



Ⓖ x2



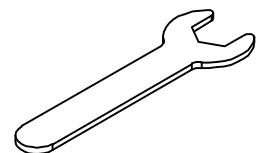
Ⓖ x2



Ⓖ x1

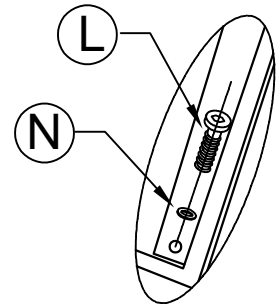
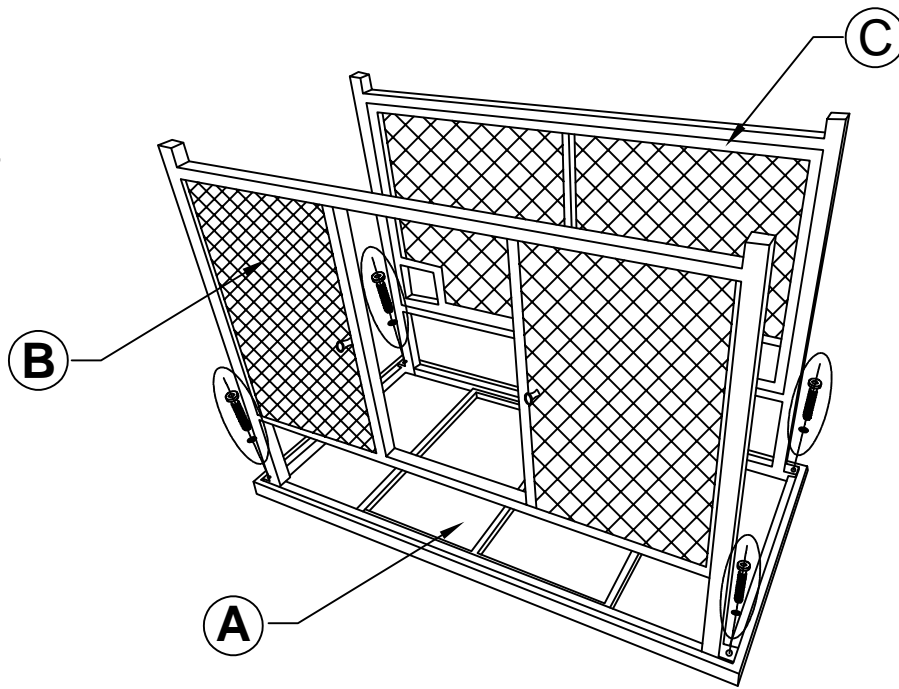
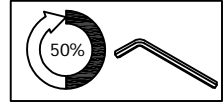


Ⓖ x1



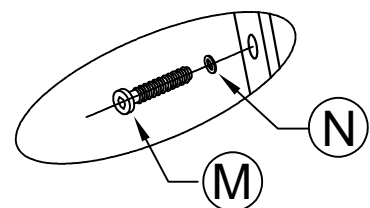
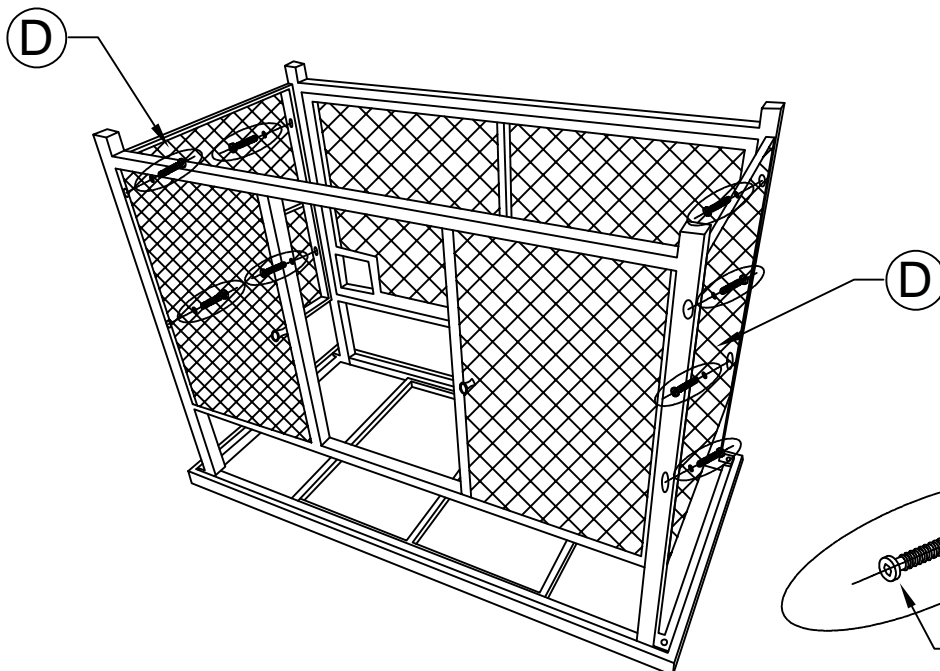
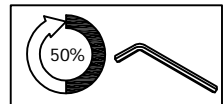
## STEP 1

- Ⓐ X1
- Ⓑ X1
- Ⓒ X1
- Ⓕ X4
- Ⓖ X4



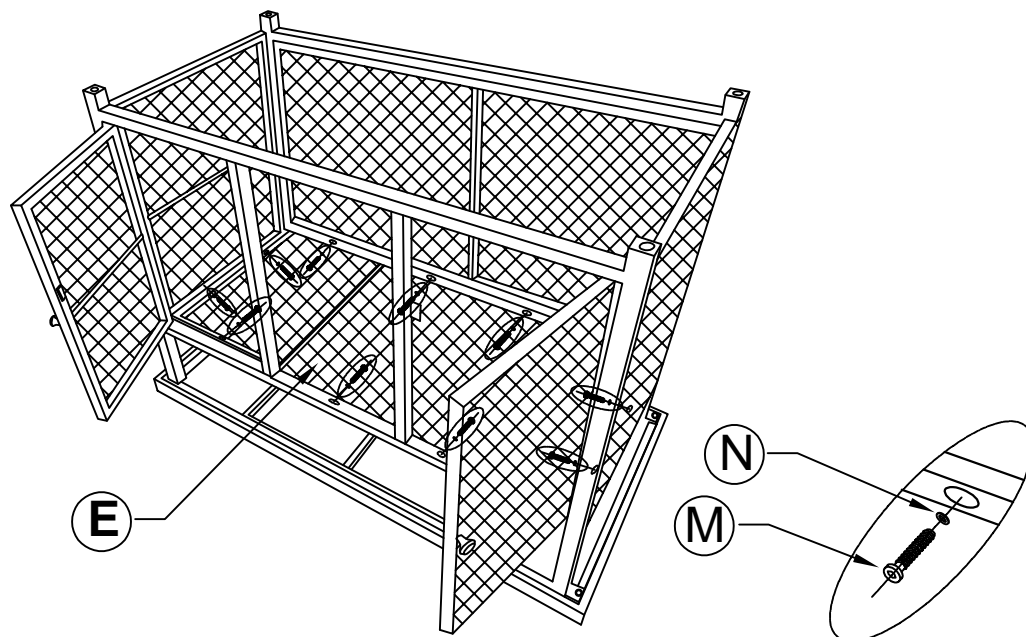
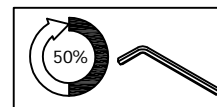
## STEP 2

- Ⓓ X2
- Ⓜ X8
- Ⓖ X8



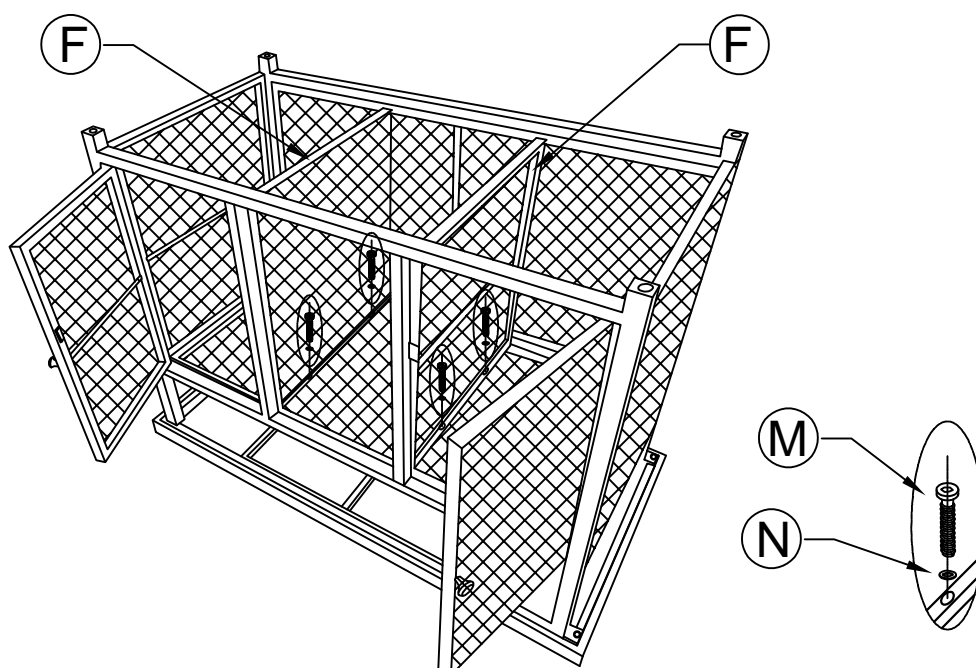
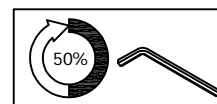
### STEP 3

- Ⓔ X1
- Ⓜ X10
- Ⓝ X10



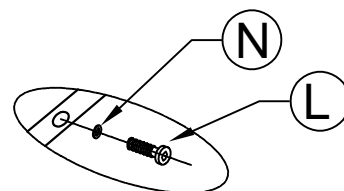
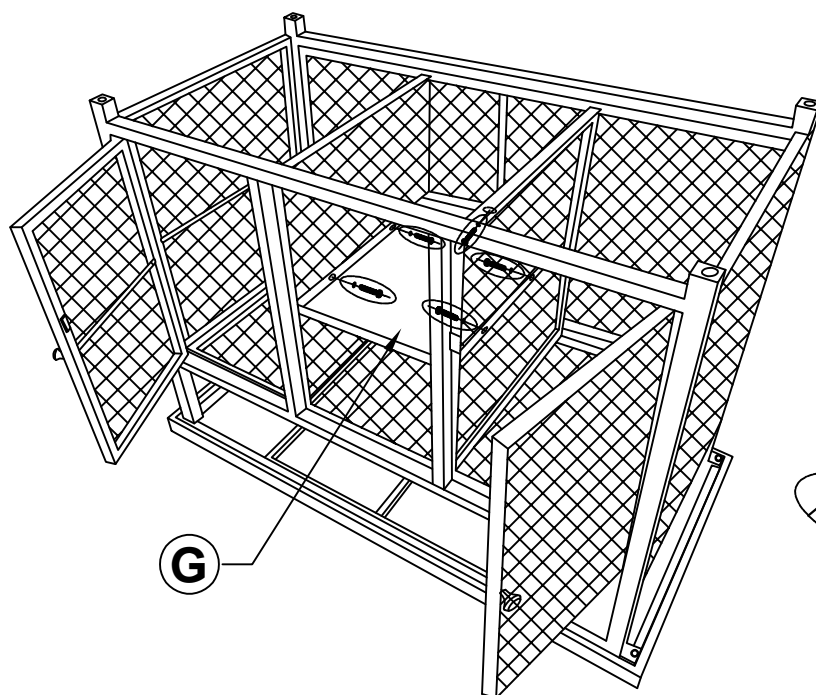
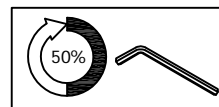
### STEP 4

- Ⓕ X2
- Ⓜ X4
- Ⓝ X4



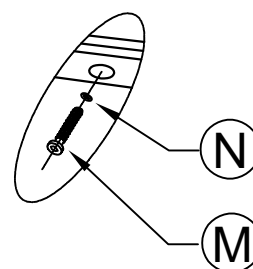
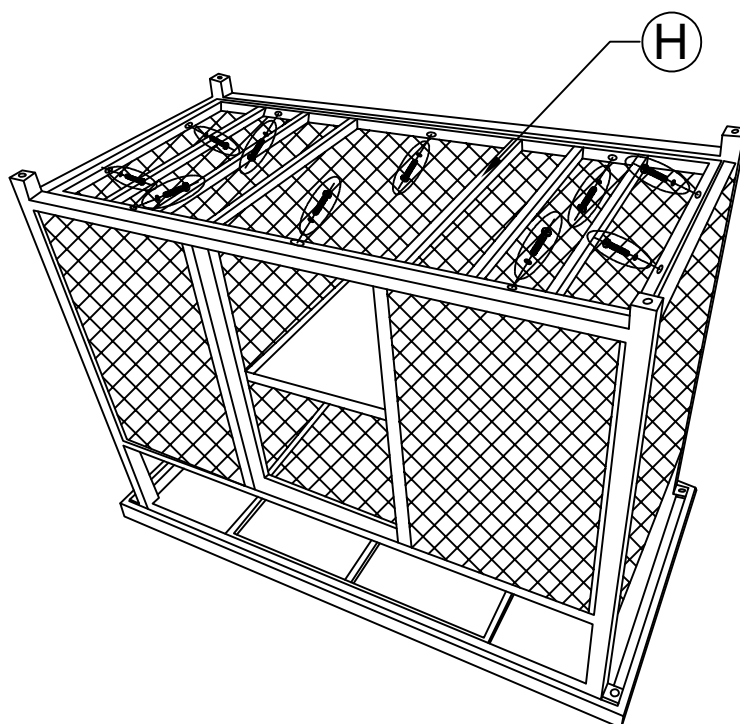
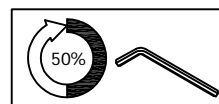
## STEP 5

- Ⓒ X1
- Ⓕ X5
- Ⓖ X5



## STEP 6

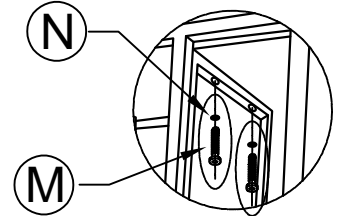
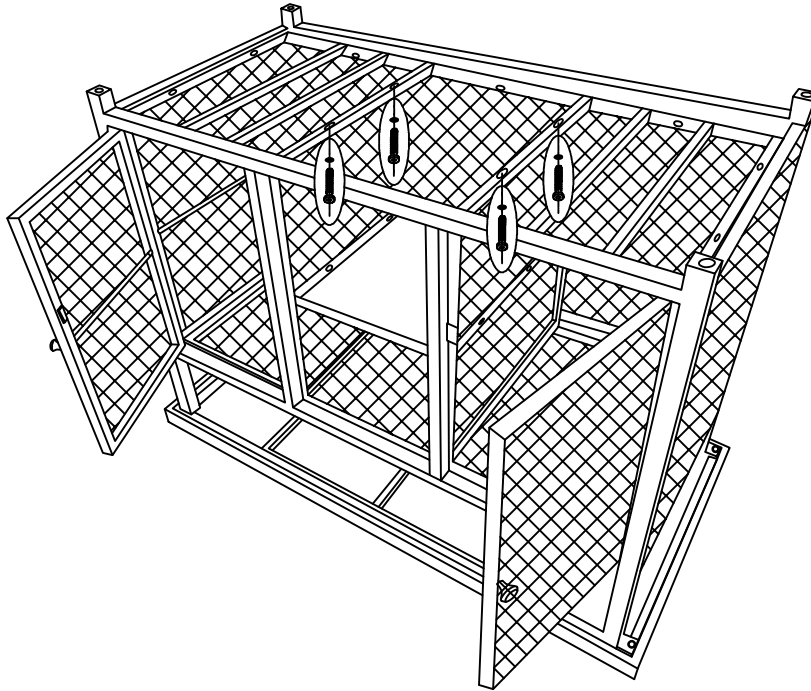
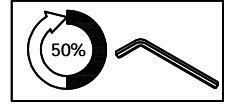
- Ⓗ X1
- Ⓜ X10
- Ⓖ X10



### STEP 7

Ⓜ X4

Ⓝ X4



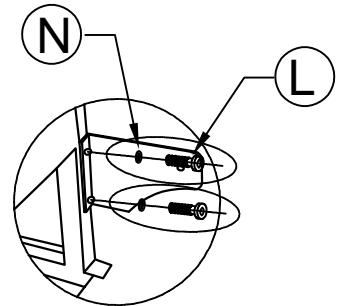
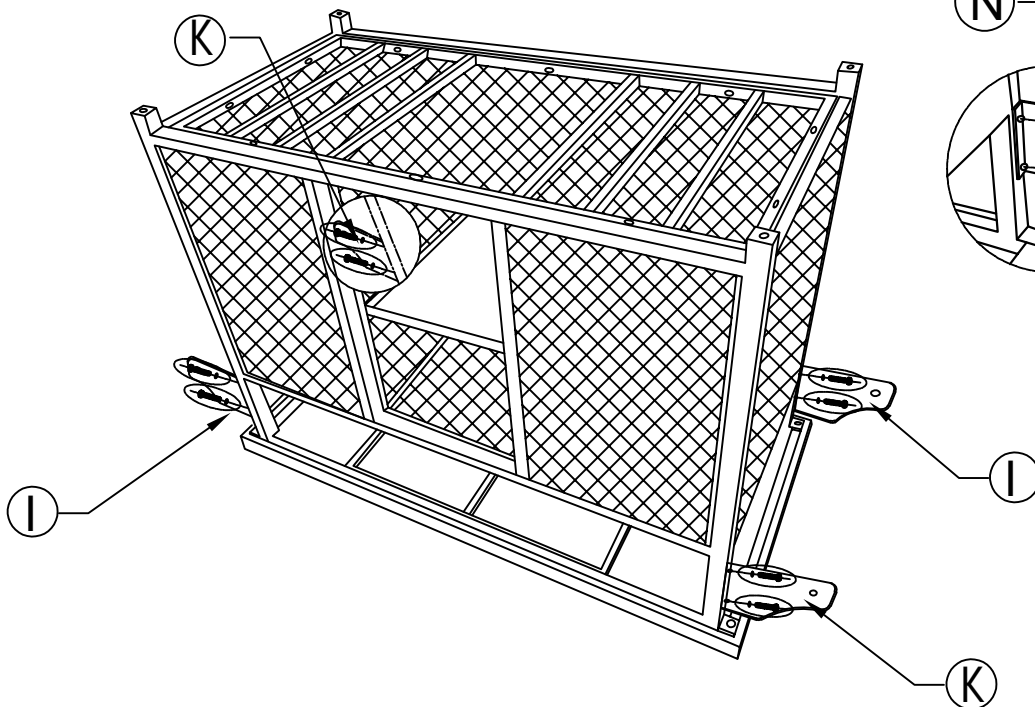
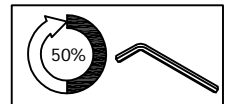
### STEP 8

Ⓛ X2

Ⓚ X2

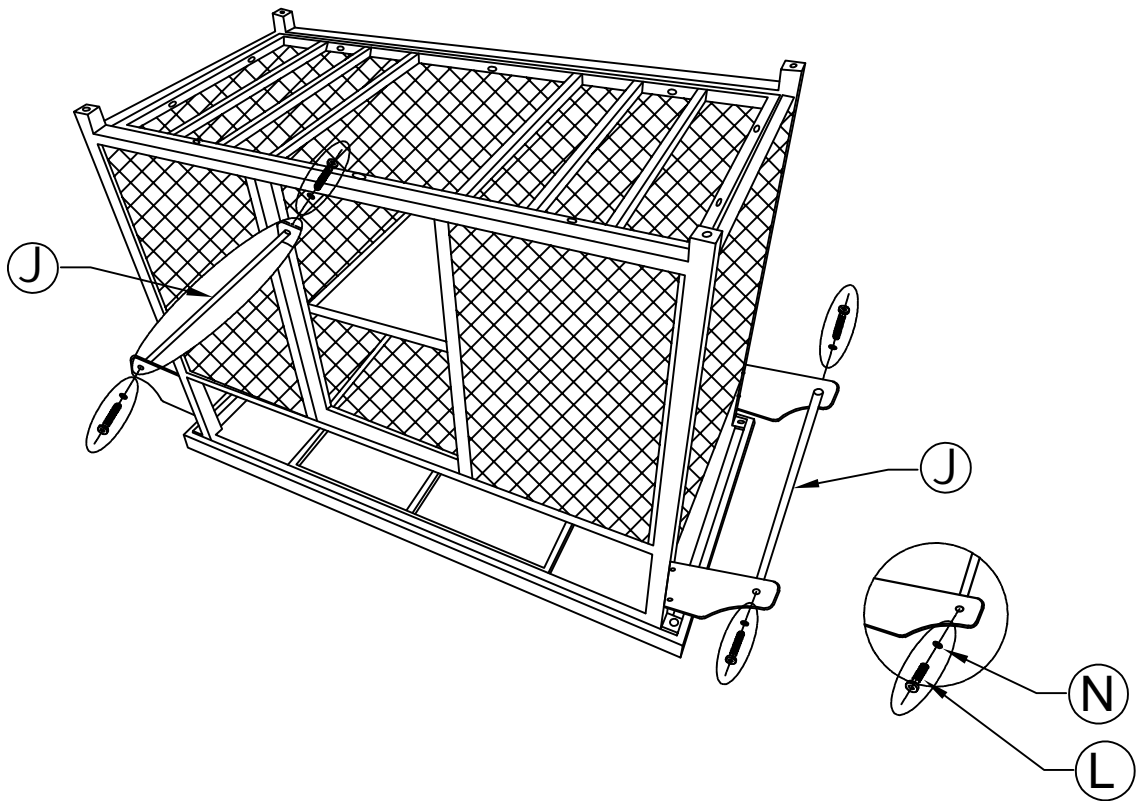
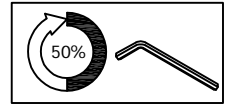
Ⓛ X8

Ⓝ X8



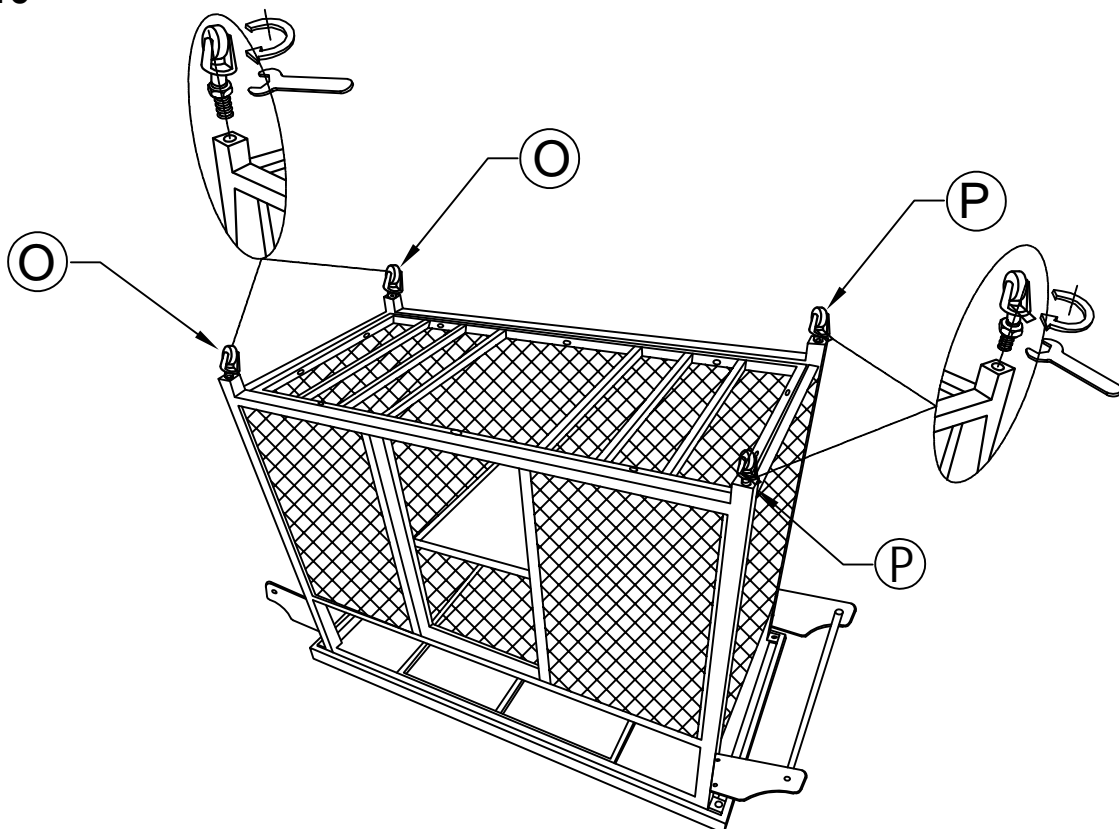
## STEP 9

- ⓐ X2
- Ⓛ X4
- Ⓝ X4



## STEP 10

- ⓐ X2
- Ⓟ X2



# STEP 11

