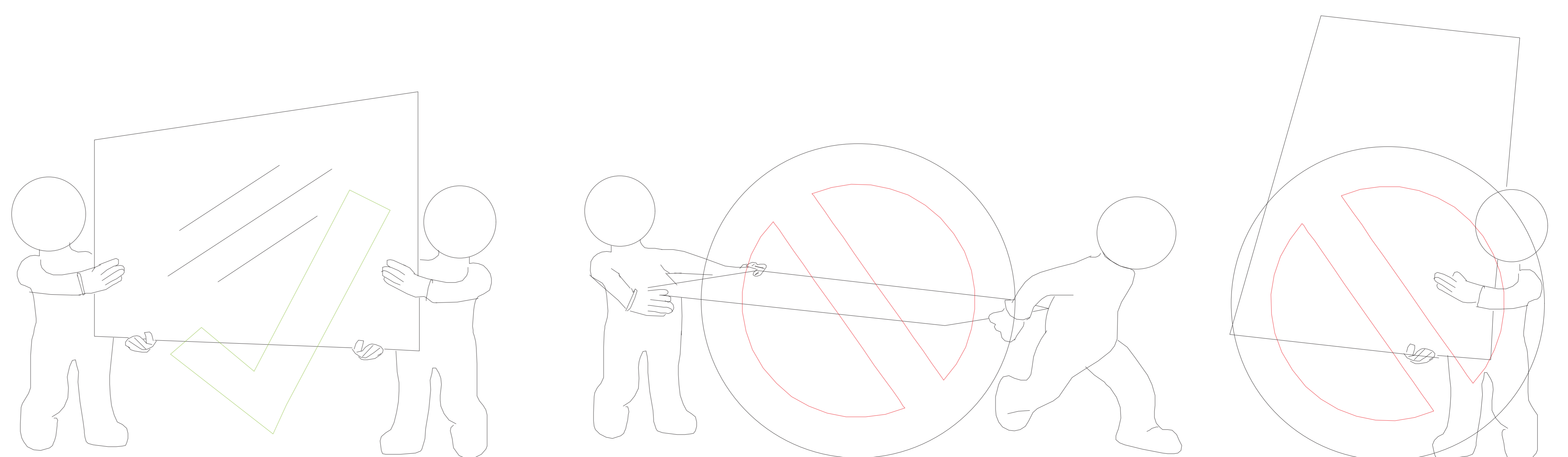
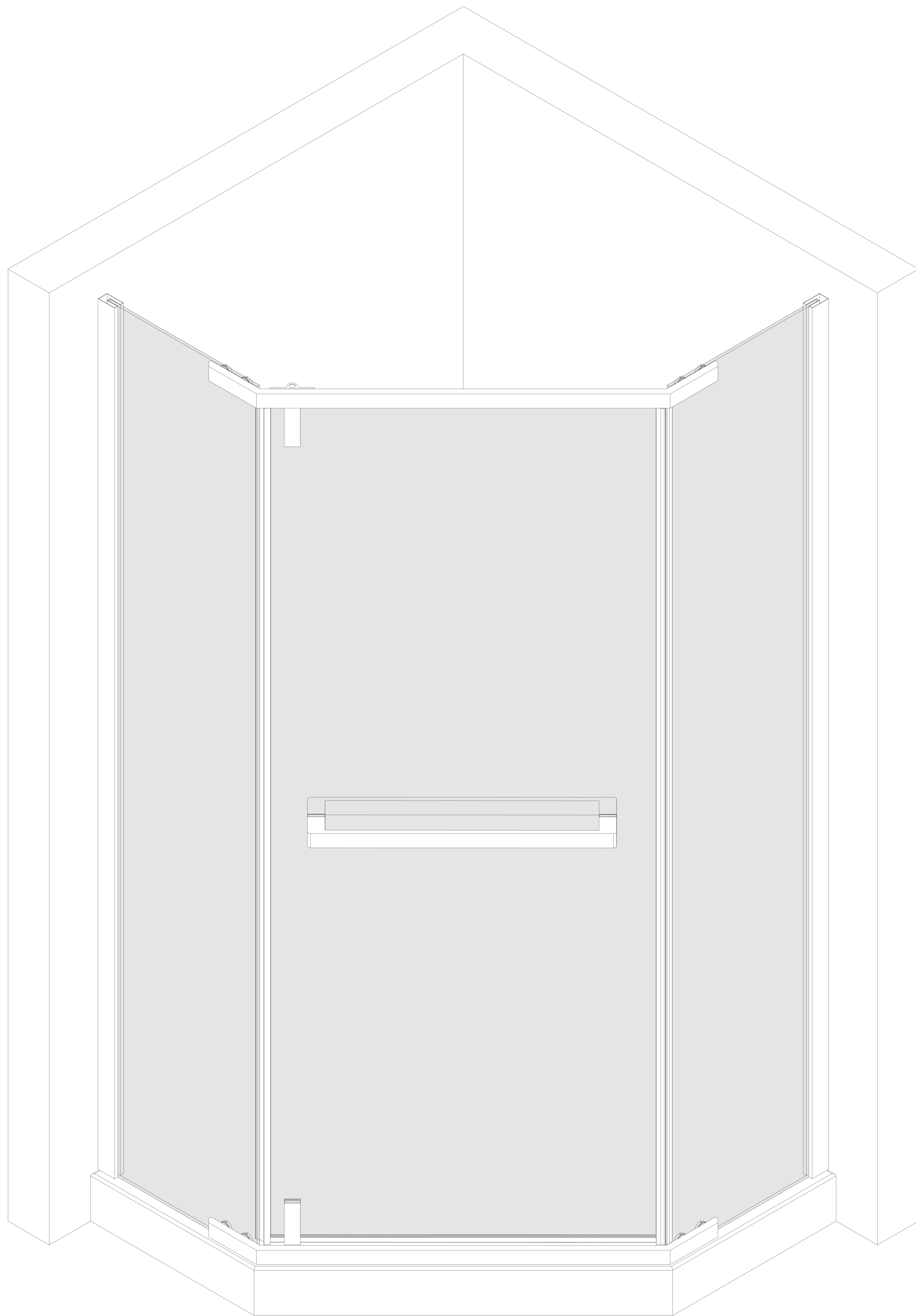
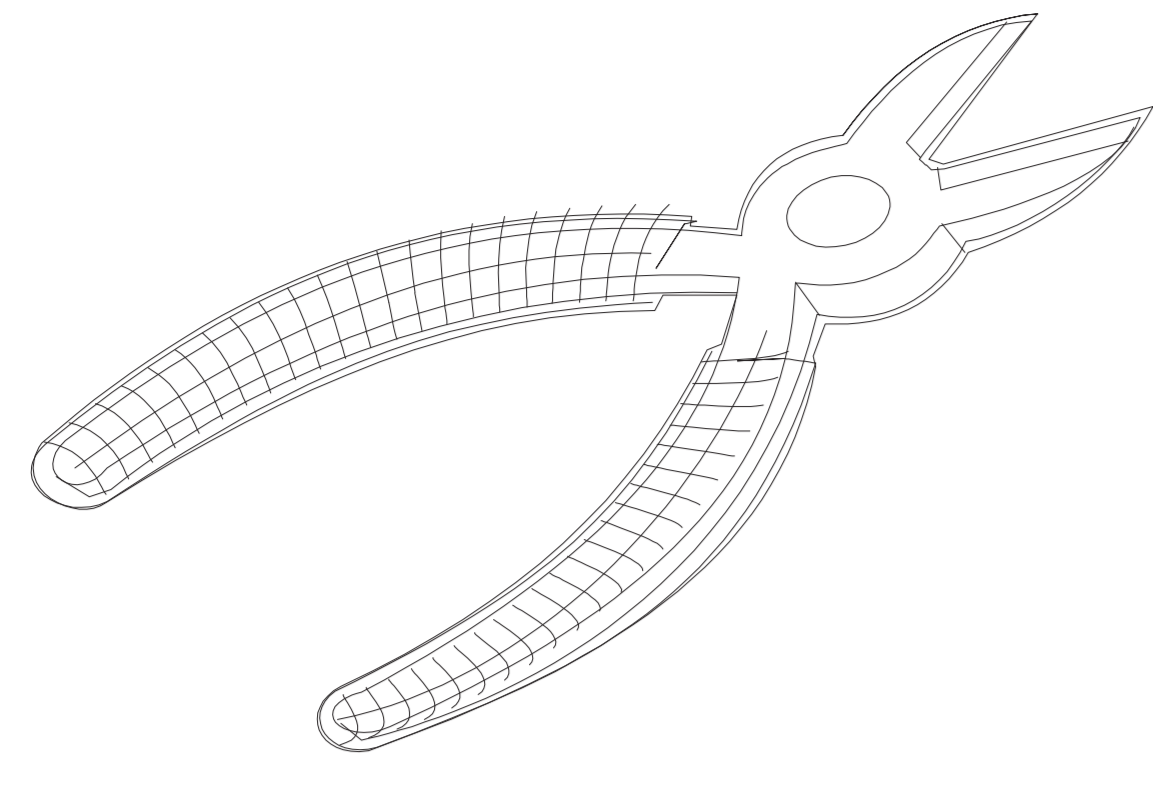
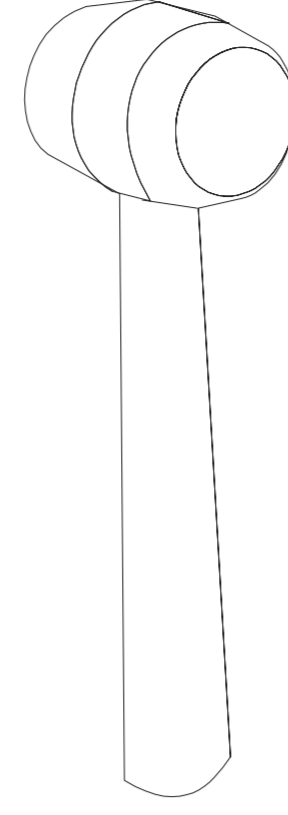
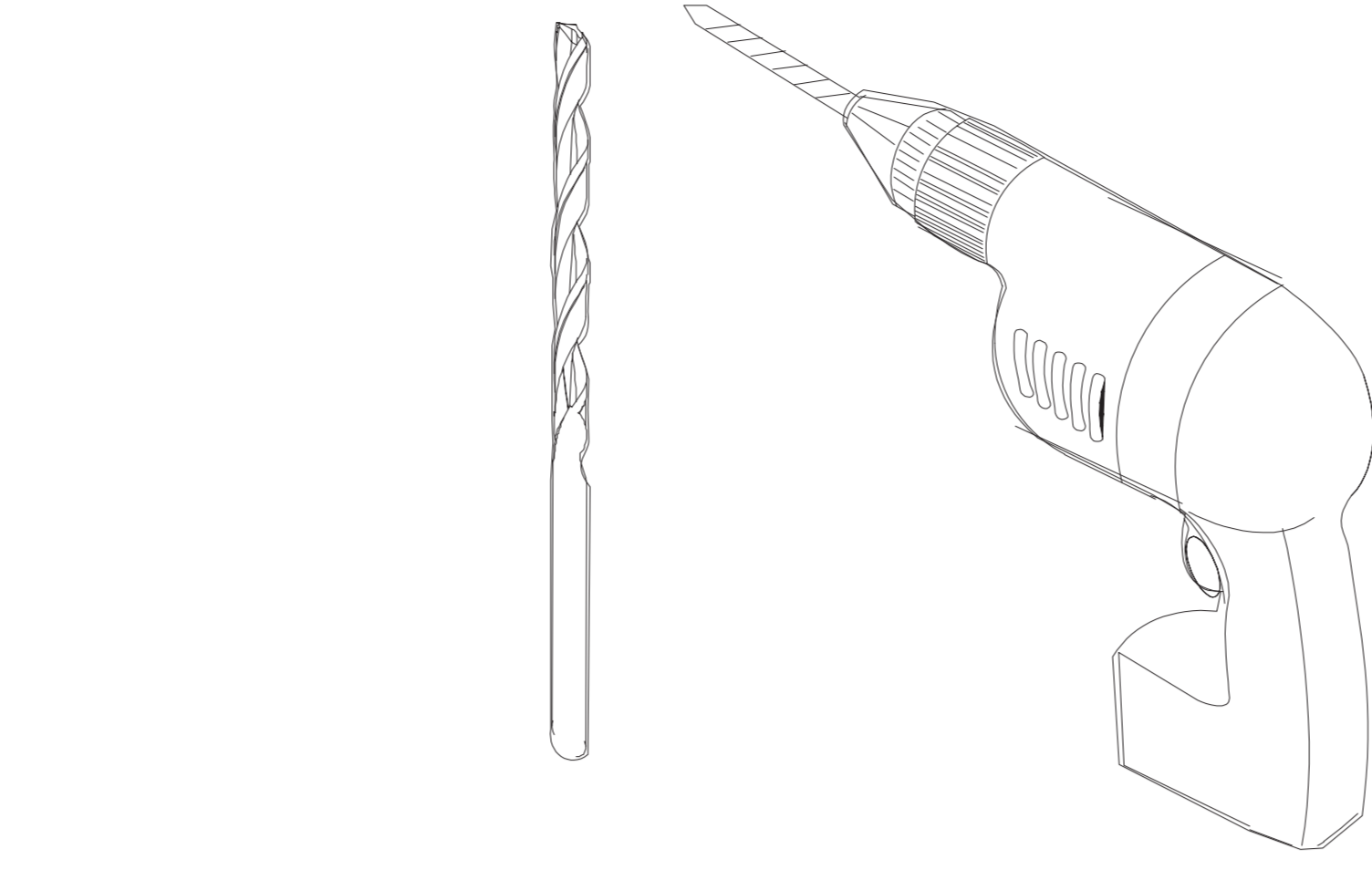
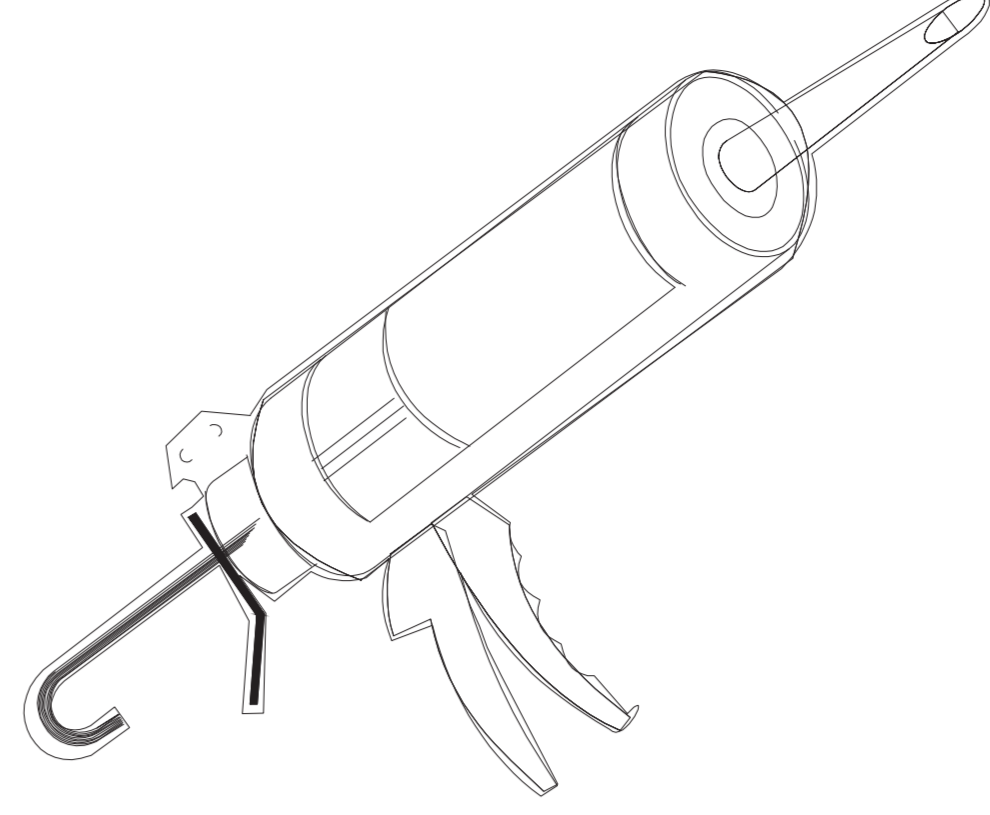
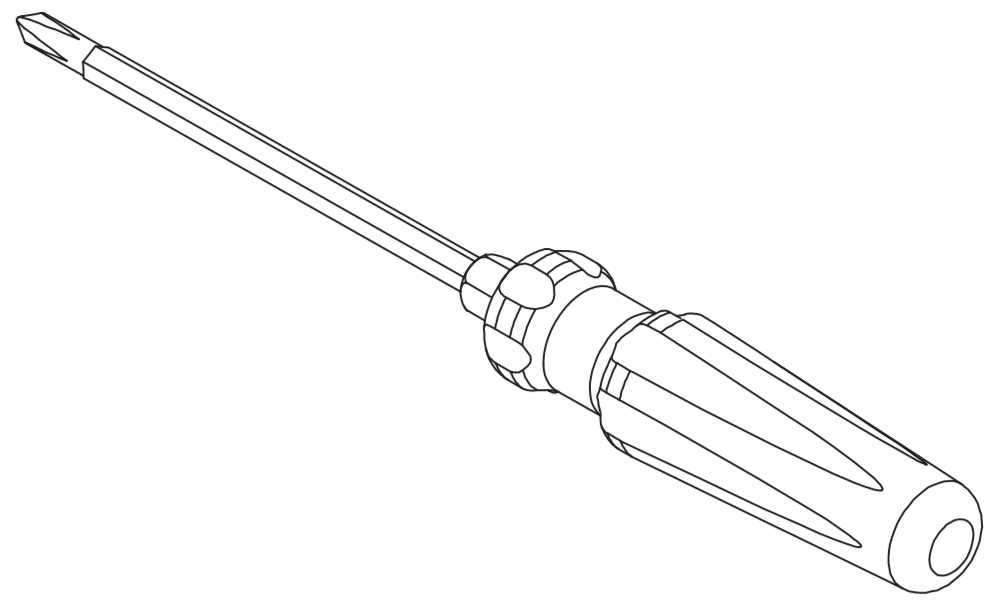
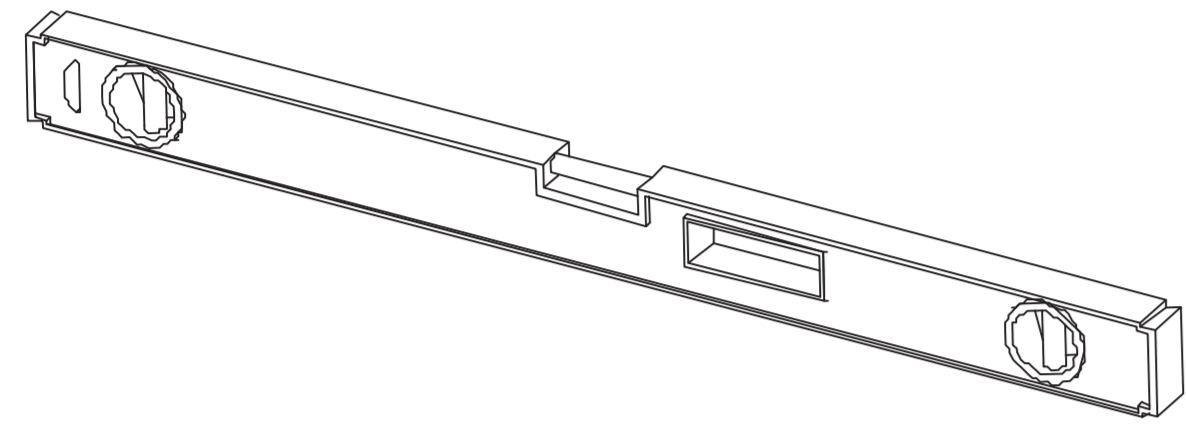
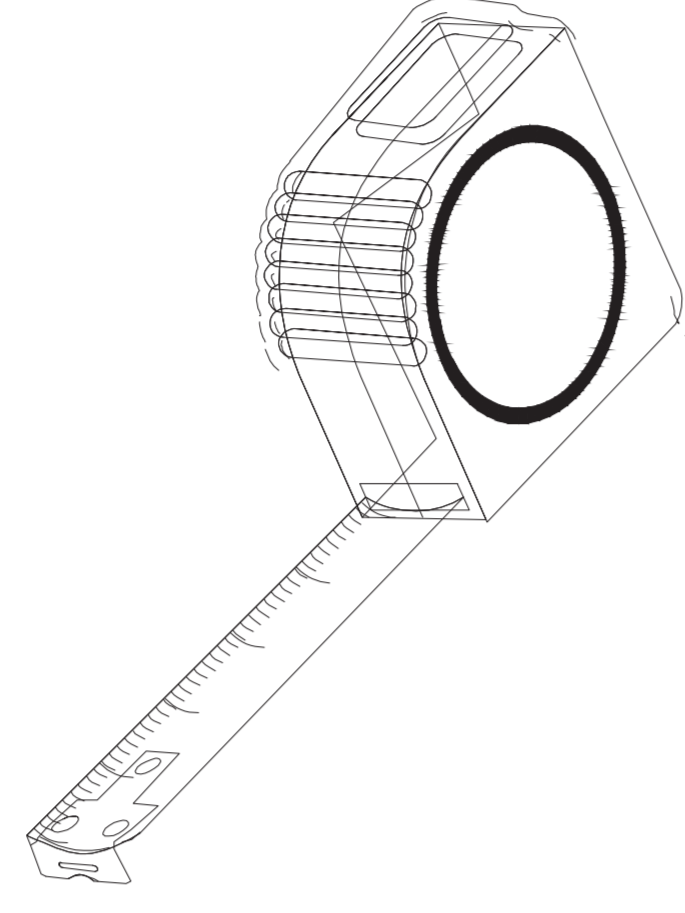
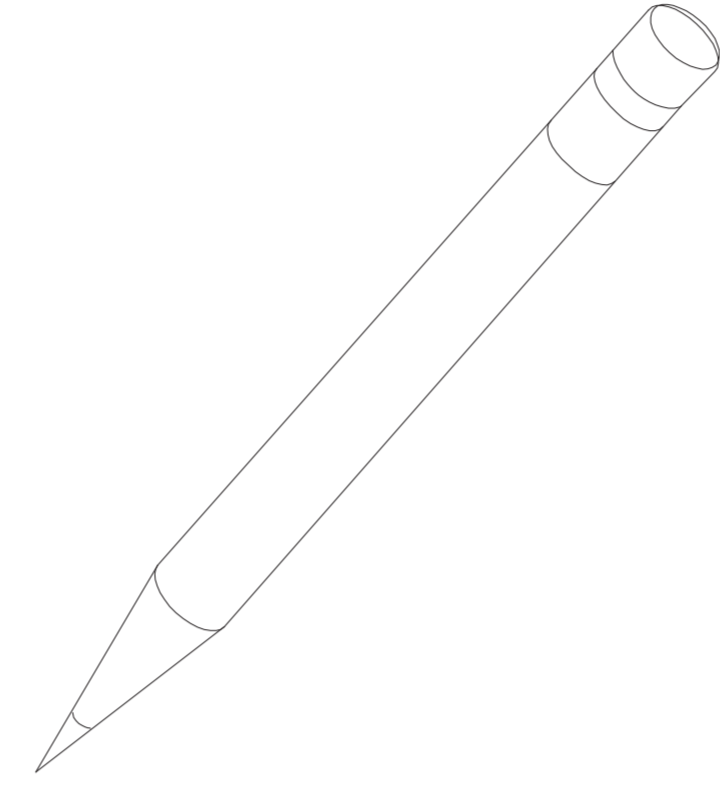
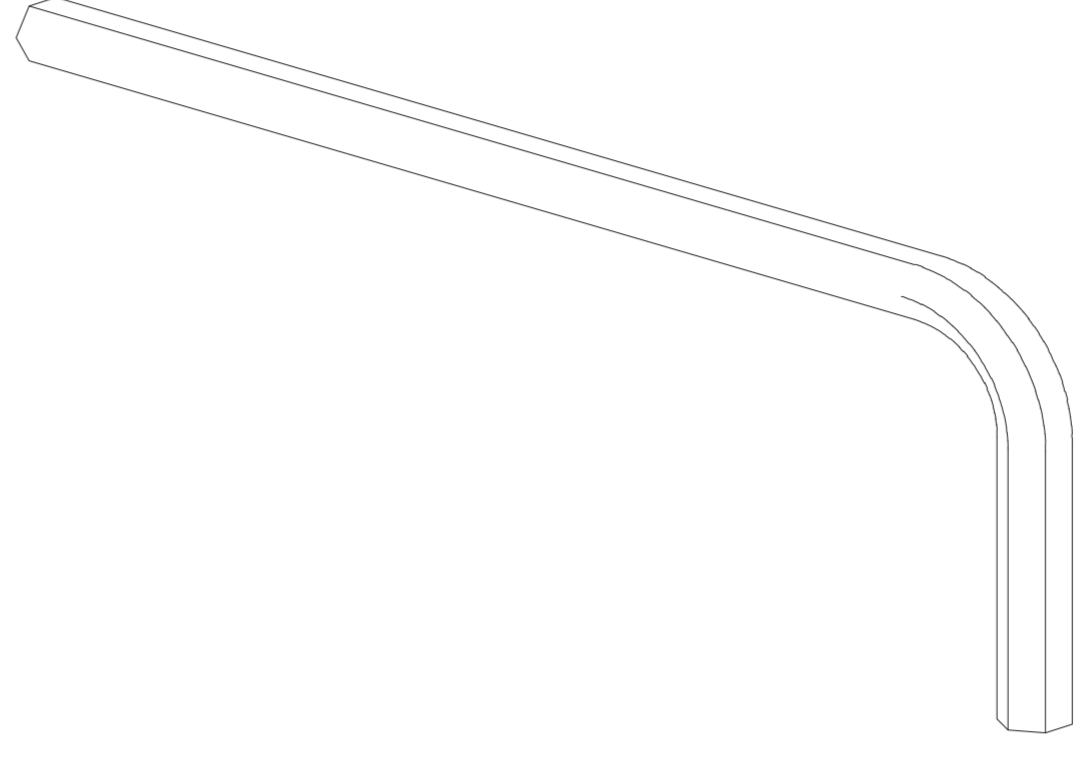


# INSTALLATION MANUAL



**NOTE: Installation Requires 2 People**

## Tools and Materials

		 ∅ 6mm 30/127"		
<b>Cutting Plier</b>	<b>Mallet</b>	<b>Drill</b>	<b>Caulk Gun</b>	<b>Screwdriver</b>
				
<b>Level</b>	<b>Tape Measure</b>	<b>Pencil</b>	<b>Allen Key</b>	

## Before You Begin

- ⚠ **CAUTION:** Risk of injury. Always wear safety glasses when cutting or drilling.
- ⚠ **CAUTION:** Risk of injury or product damage. Tempered glass cannot be cut.
  - Before starting the installation, lay out and identify the parts. Inspect them for damage.
  - The bath/shower or receptor should be installed/prepared at this time, including finished wall materials.

## Installation on Tiled Surfaces

If your shower door will be installed over tiles, ensure the tiles are fully laid beneath the door frame.

## Shower Door Care

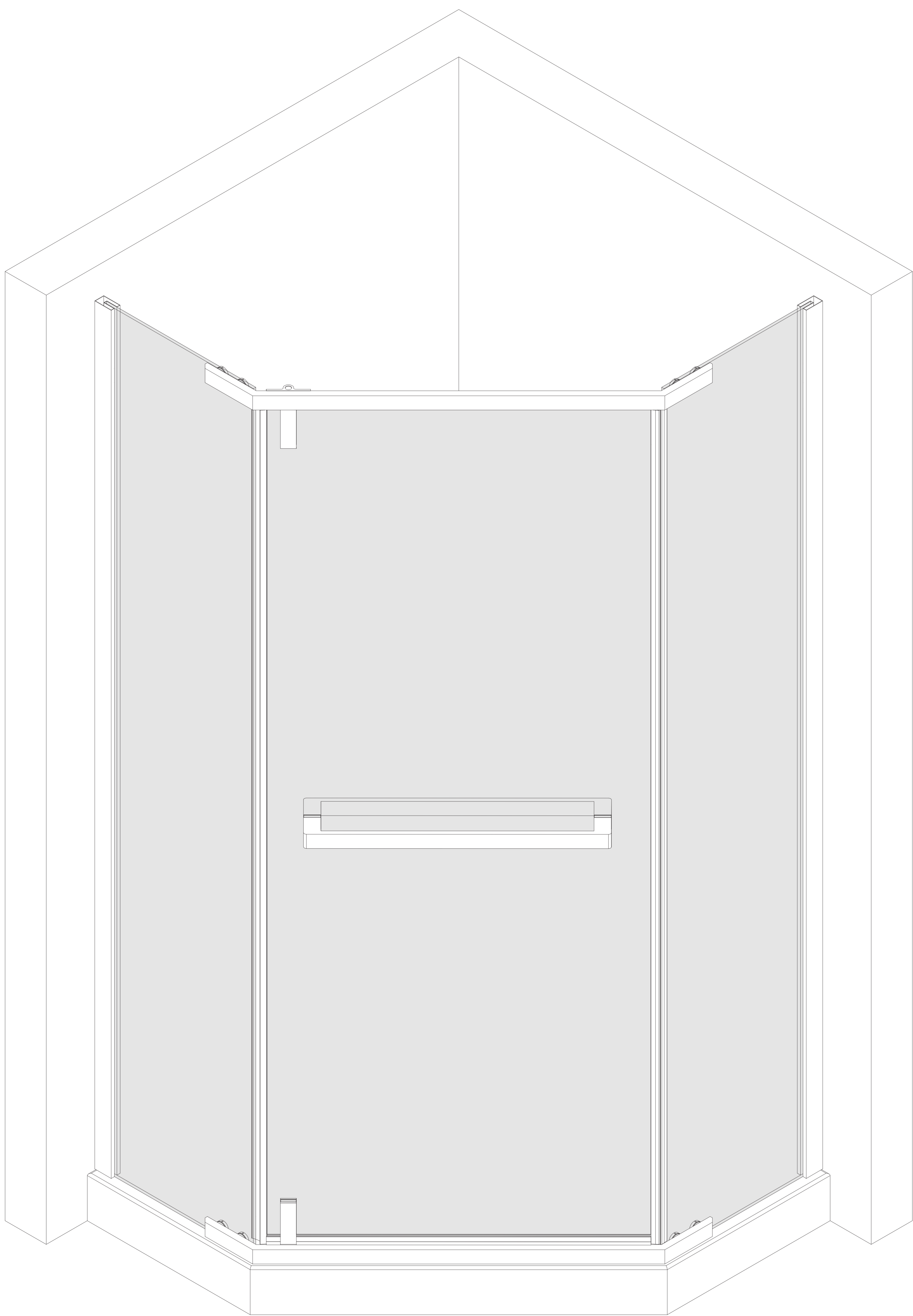
Do not use abrasive pads or sharp tools on any metal parts or glass surfaces.

To maintain a clean and like-new appearance, wipe with diluted mild soap and water.

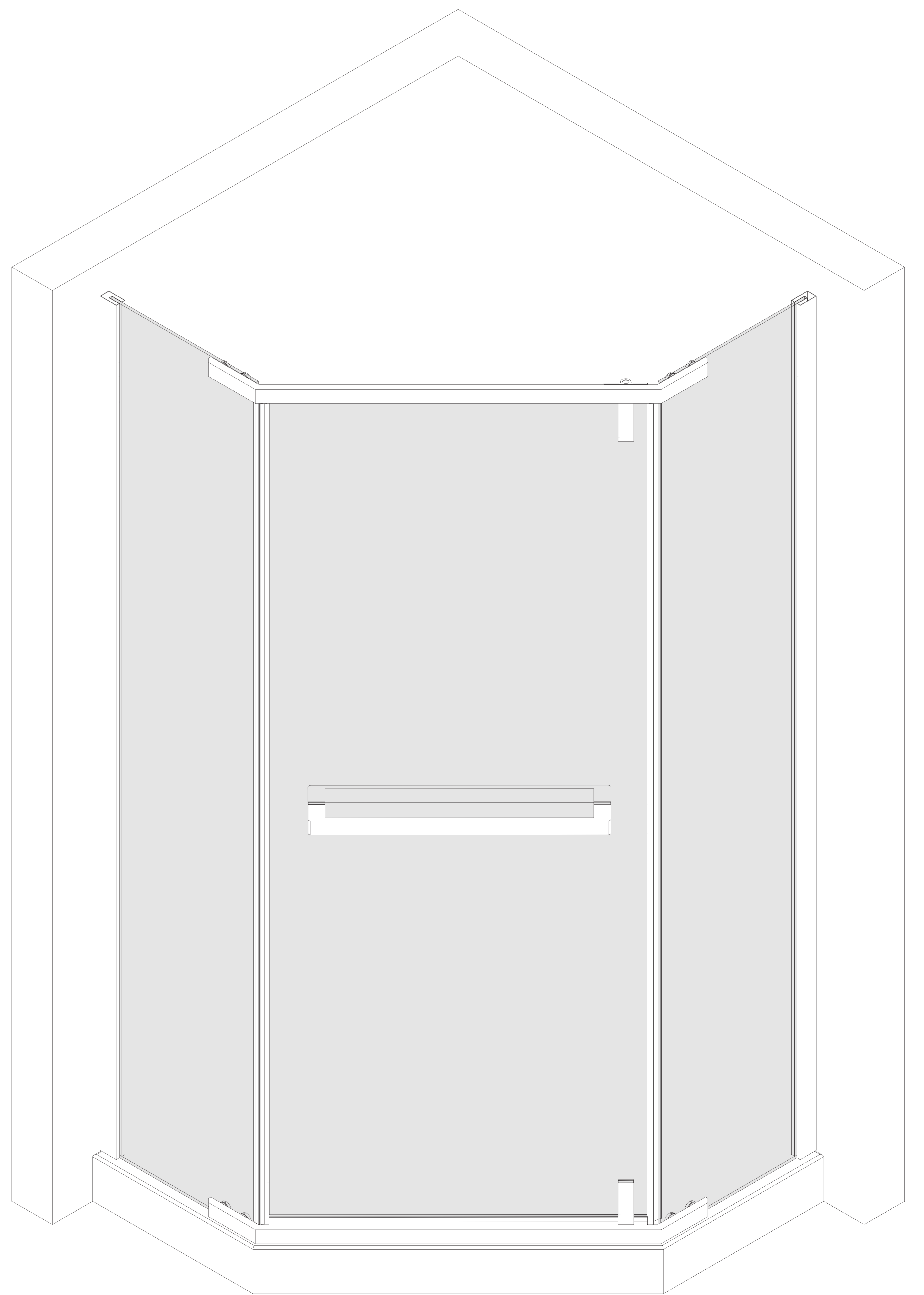
We recommend using a squeegee to dry the glass panels after each use.

## Overall Installation displaying

The product can be installed in reverse.  
The manual shows the left-opening direction;  
for the right-opening direction, install it as a mirror image.

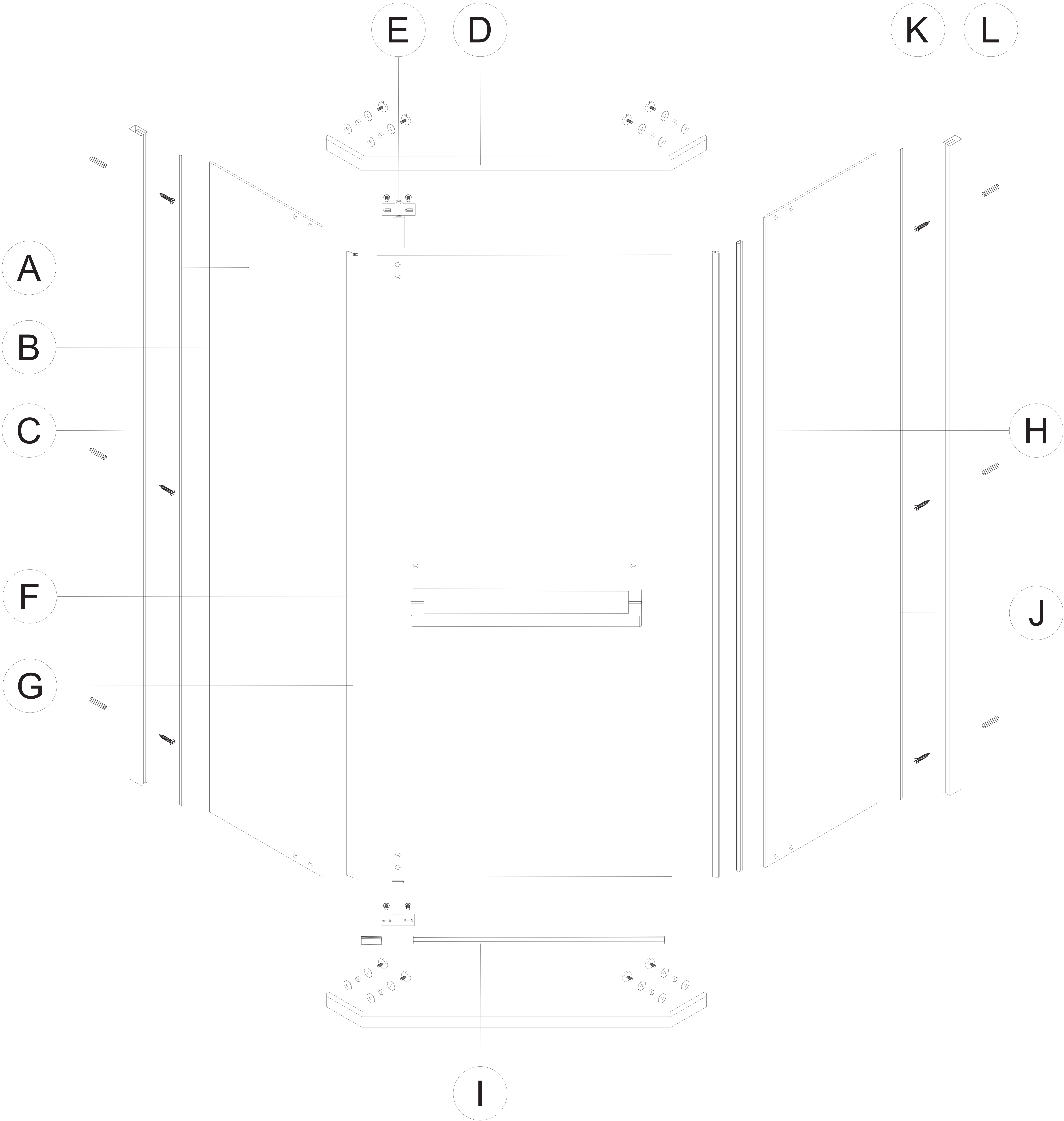


Left-opening


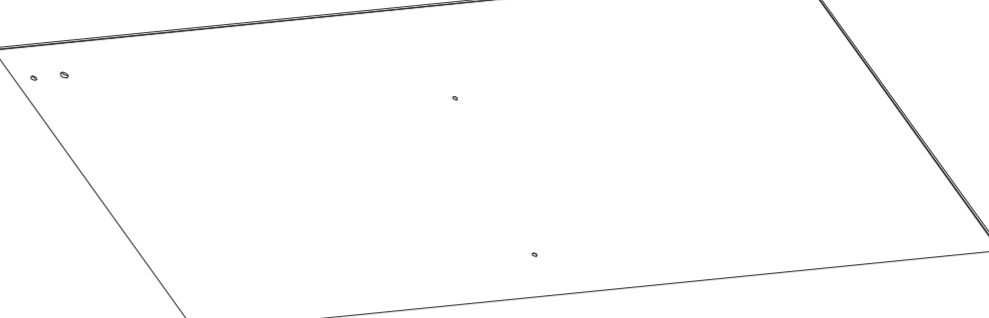
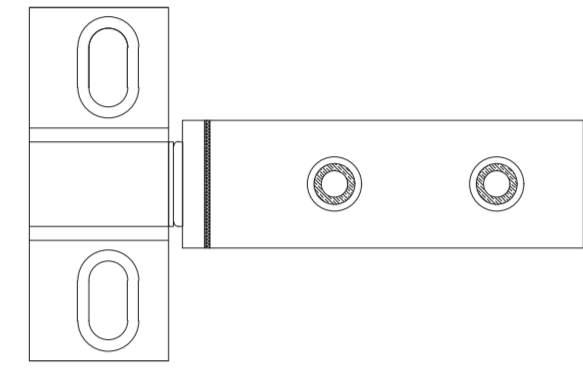
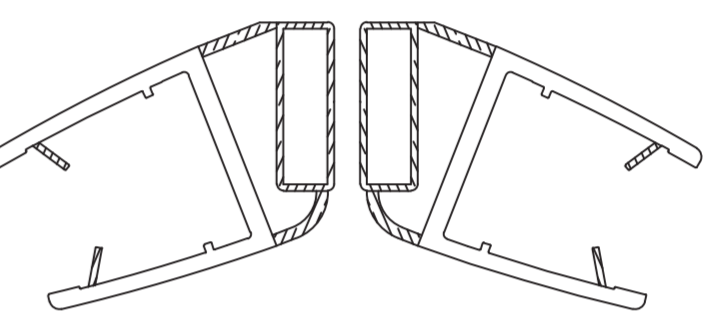
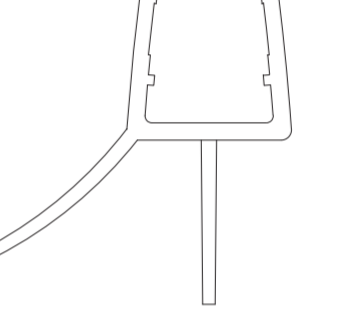
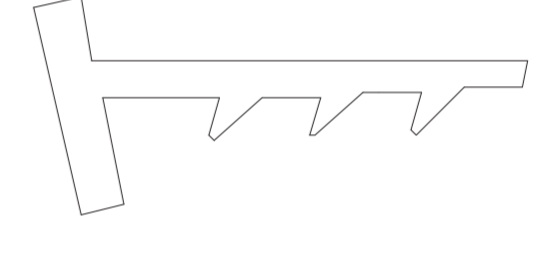


Right-opening

# Detailed Diagram of Shower Door Components

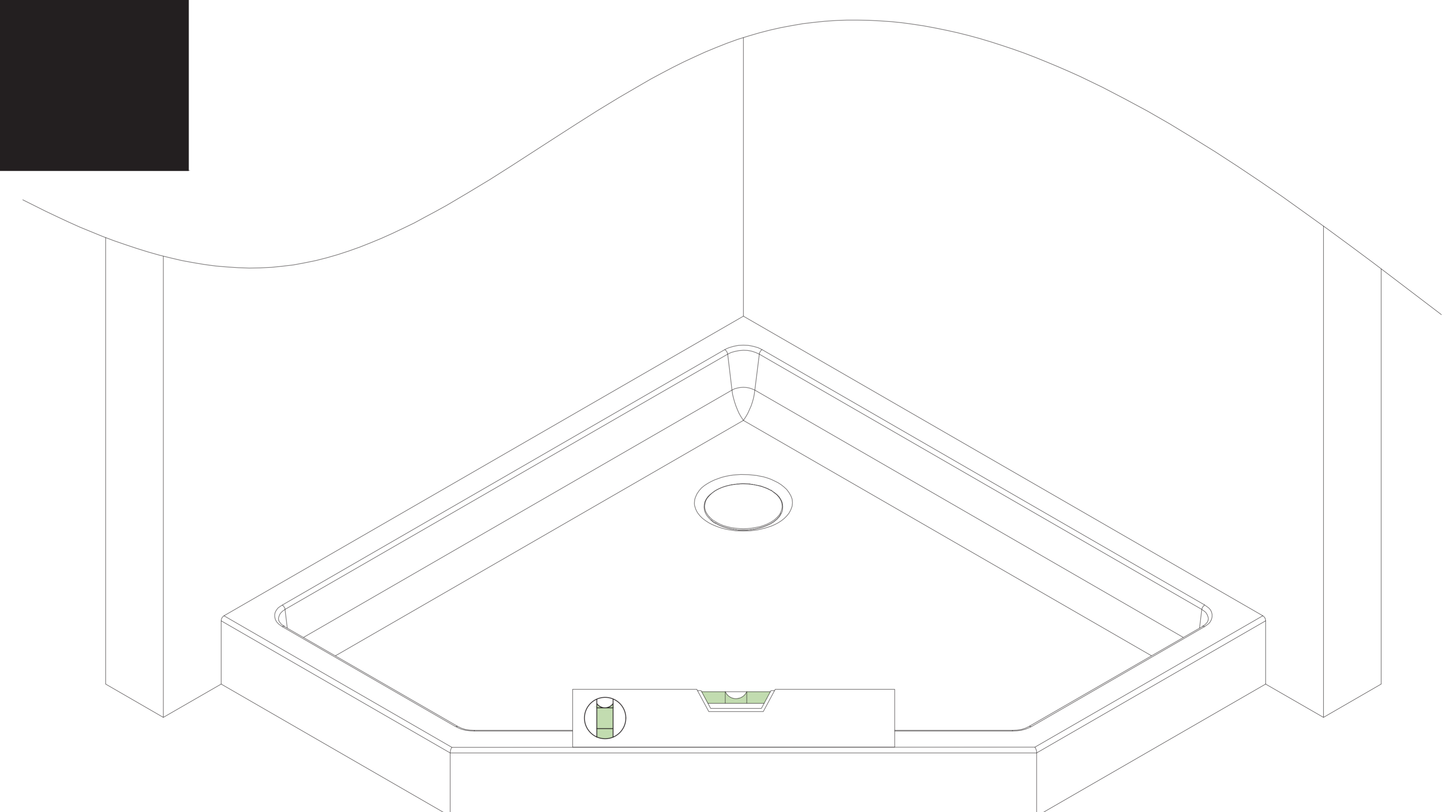


# Parts And Hardware Listing

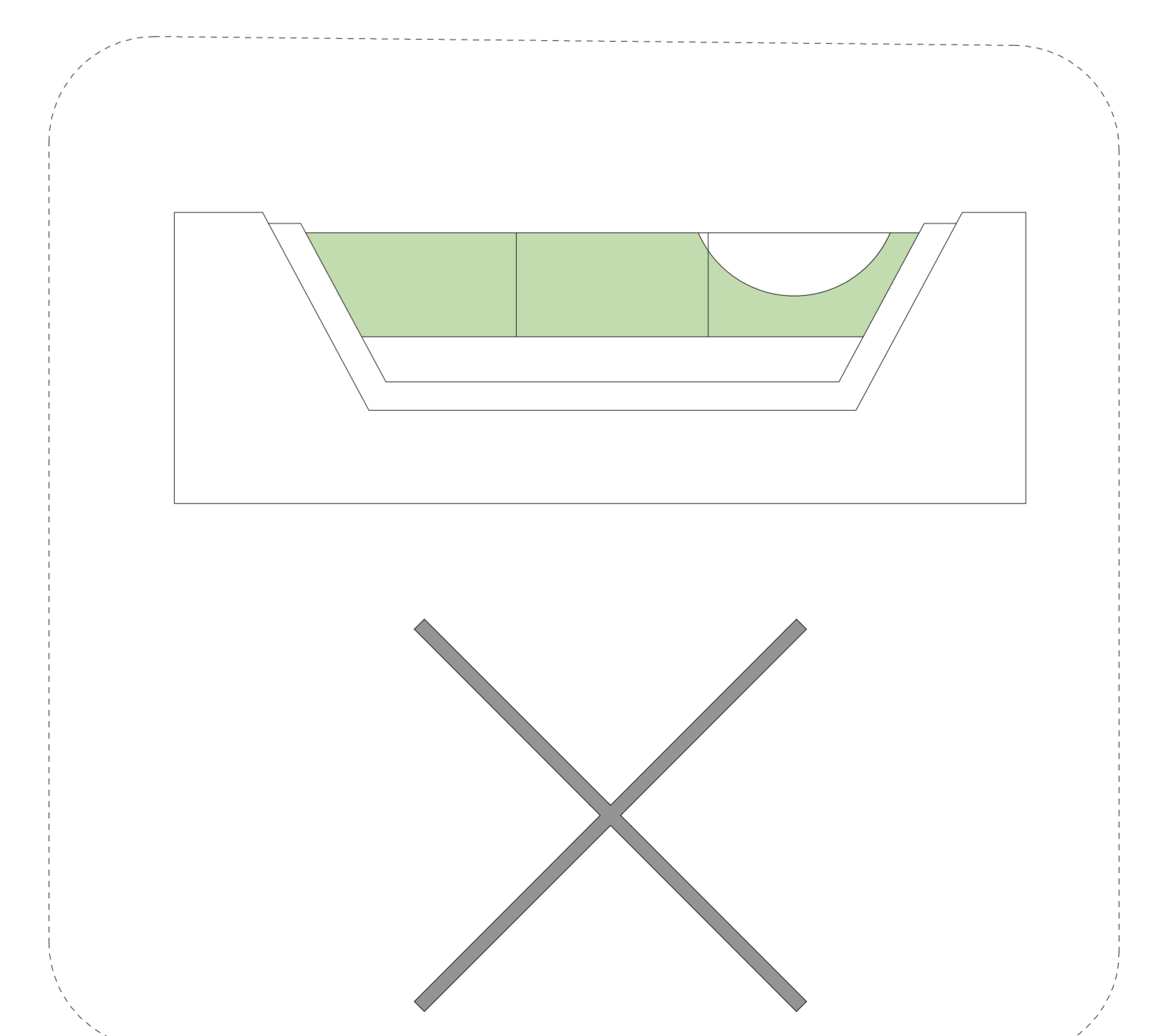
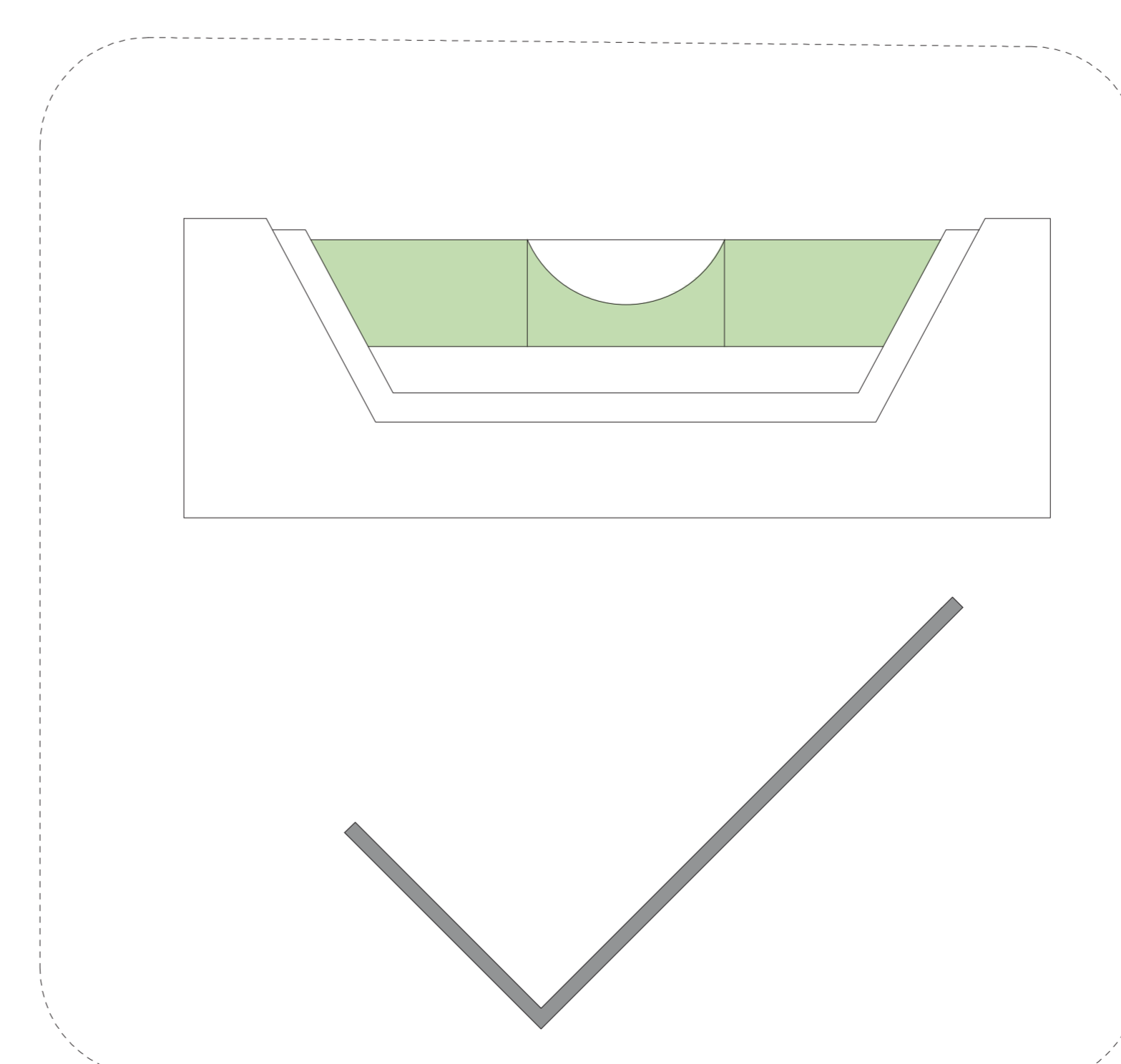
ITEM	NAME	QTY	PICTURE
(A)	Fixed Glass	2	
(B)	Movable Glass	1	
(C)	Wall Jamb	2	
(D)	Tie Rod	2	
(E)	Hinge	2	
(F)	Handle	1	
(G)	135° Side Water Stopper Strip	1	
(H)	Magnetic Strip	2	
(I)	Bottom Door Water Stopper Strip	1	
(J)	Single-sided Strip	2	
(K)	Fixing Screws 4mm x 35mm	6	
(L)	Hollow Wall Plugs 6mm x 30mm	6	

## STEP 1

Measure the on-site installation conditions and adjust accordingly

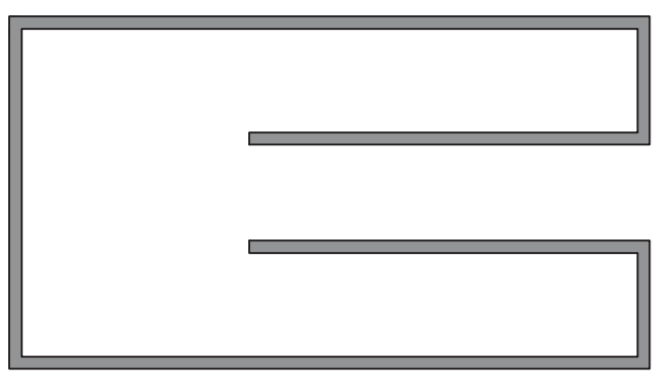
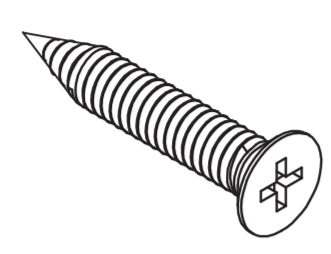
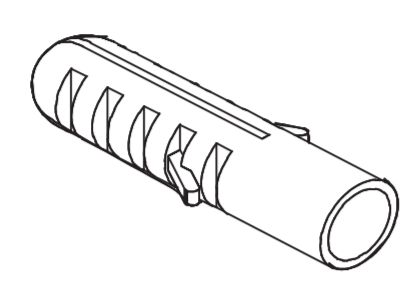


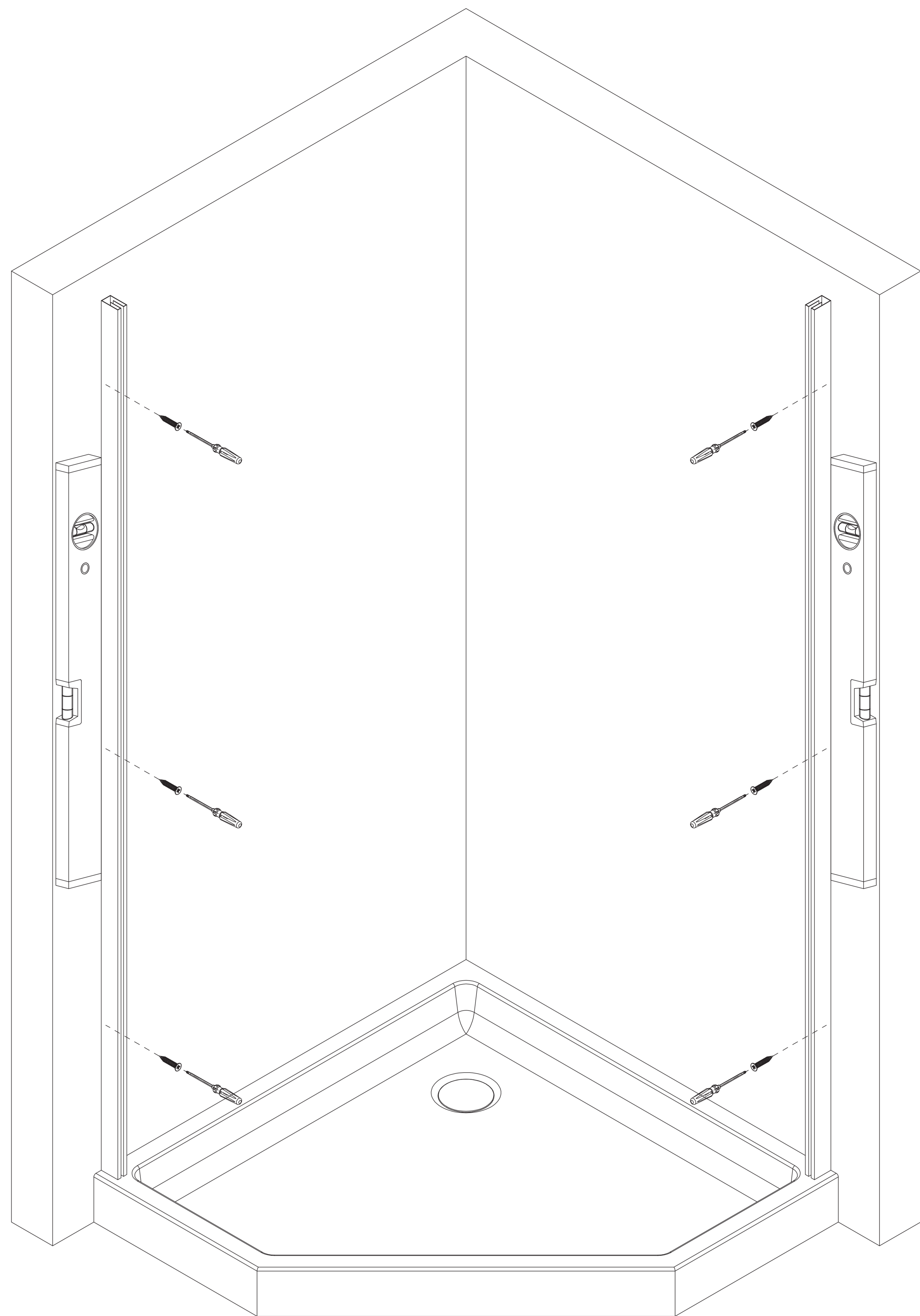
The installation shown is based on plumb finished walls and a levelled Base. If these conditions are not met, please adjust accordingly.



## STEP 2

### Install Left and Right Wall Jamb

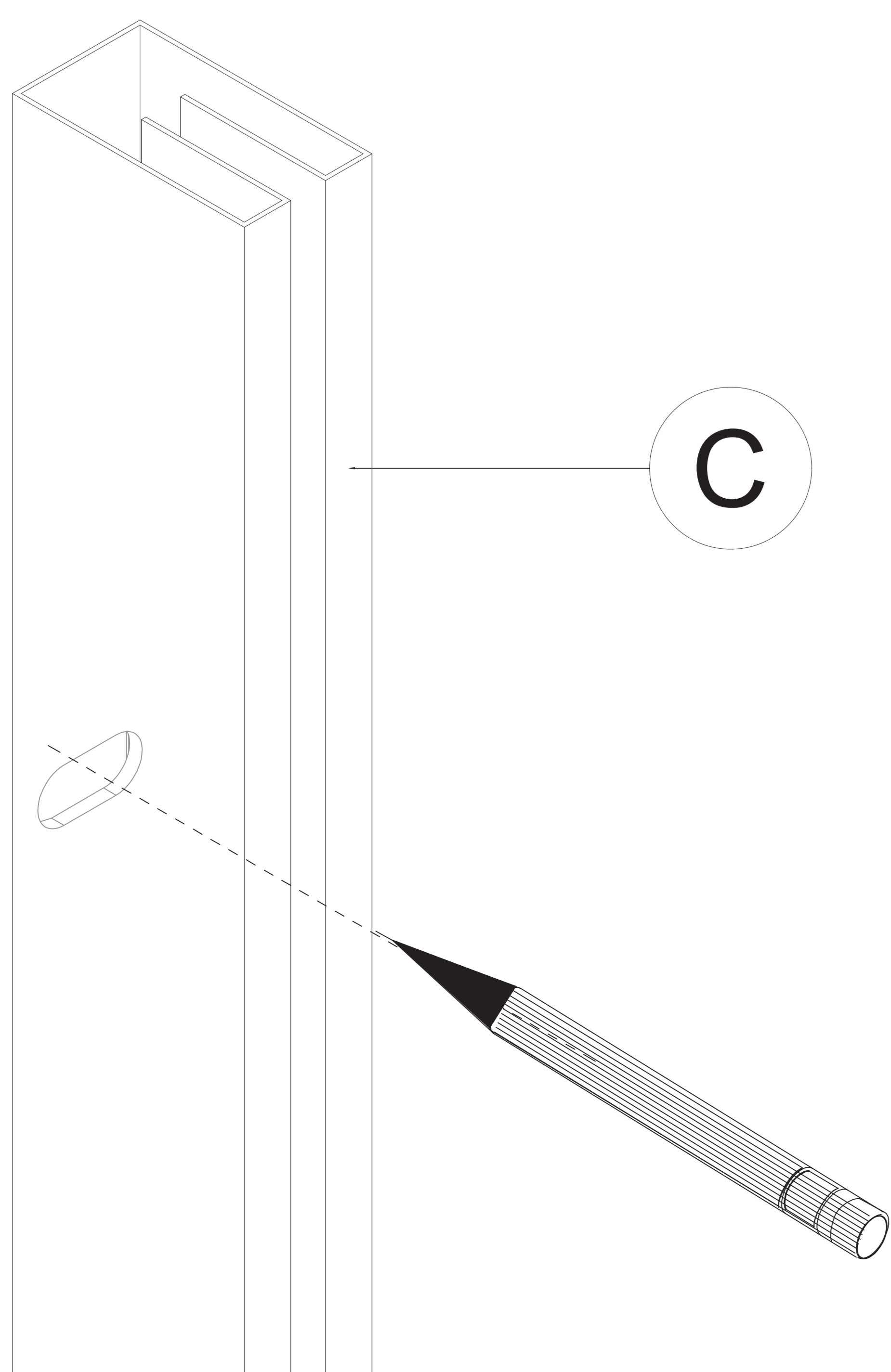
C		X2
K		X6
L		X6



Place the wall jamba at the installation position, ensuring they are level and perpendicular to the floor and wall.

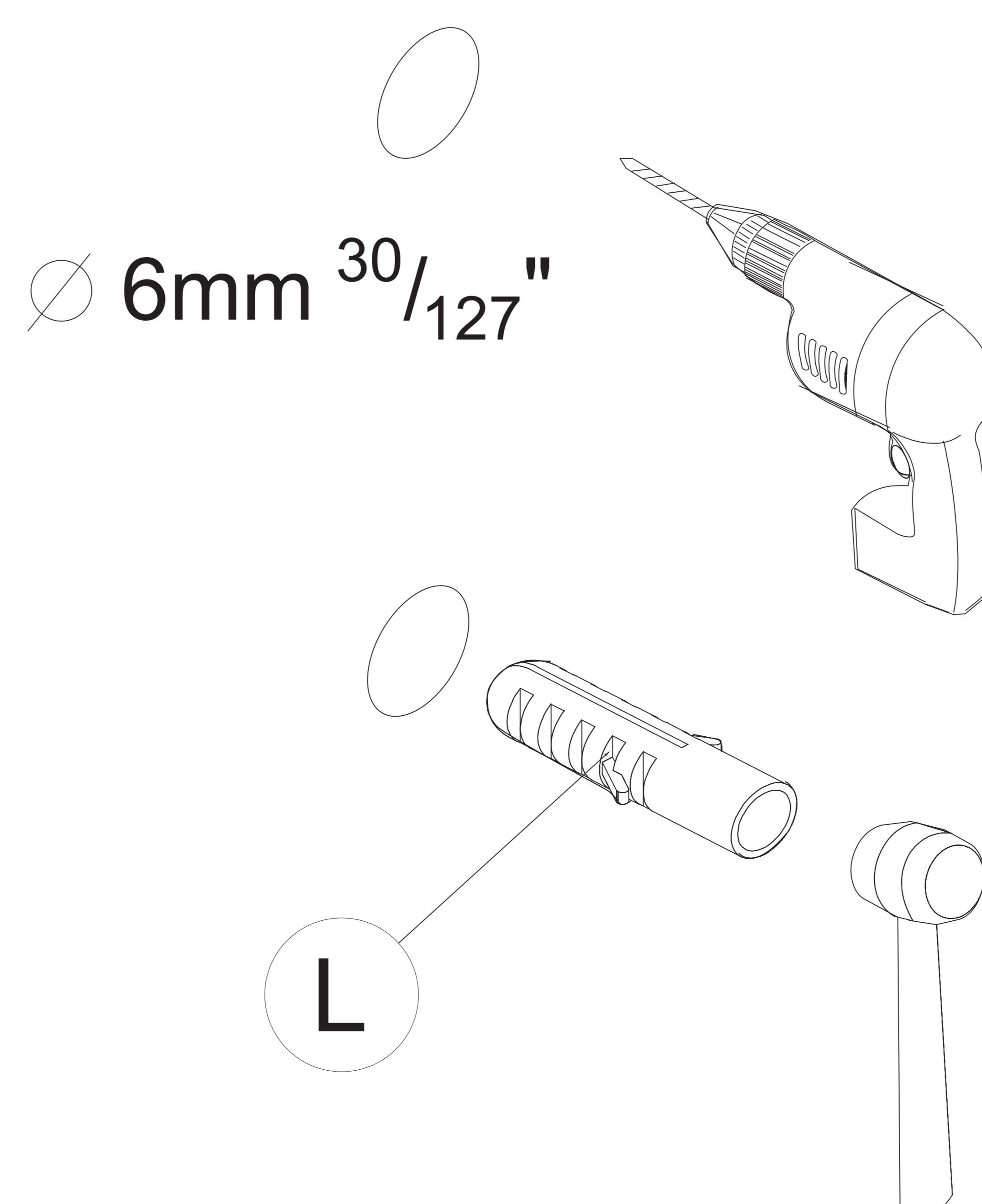
#### 2-1

Mark the positions of the fixing holes.



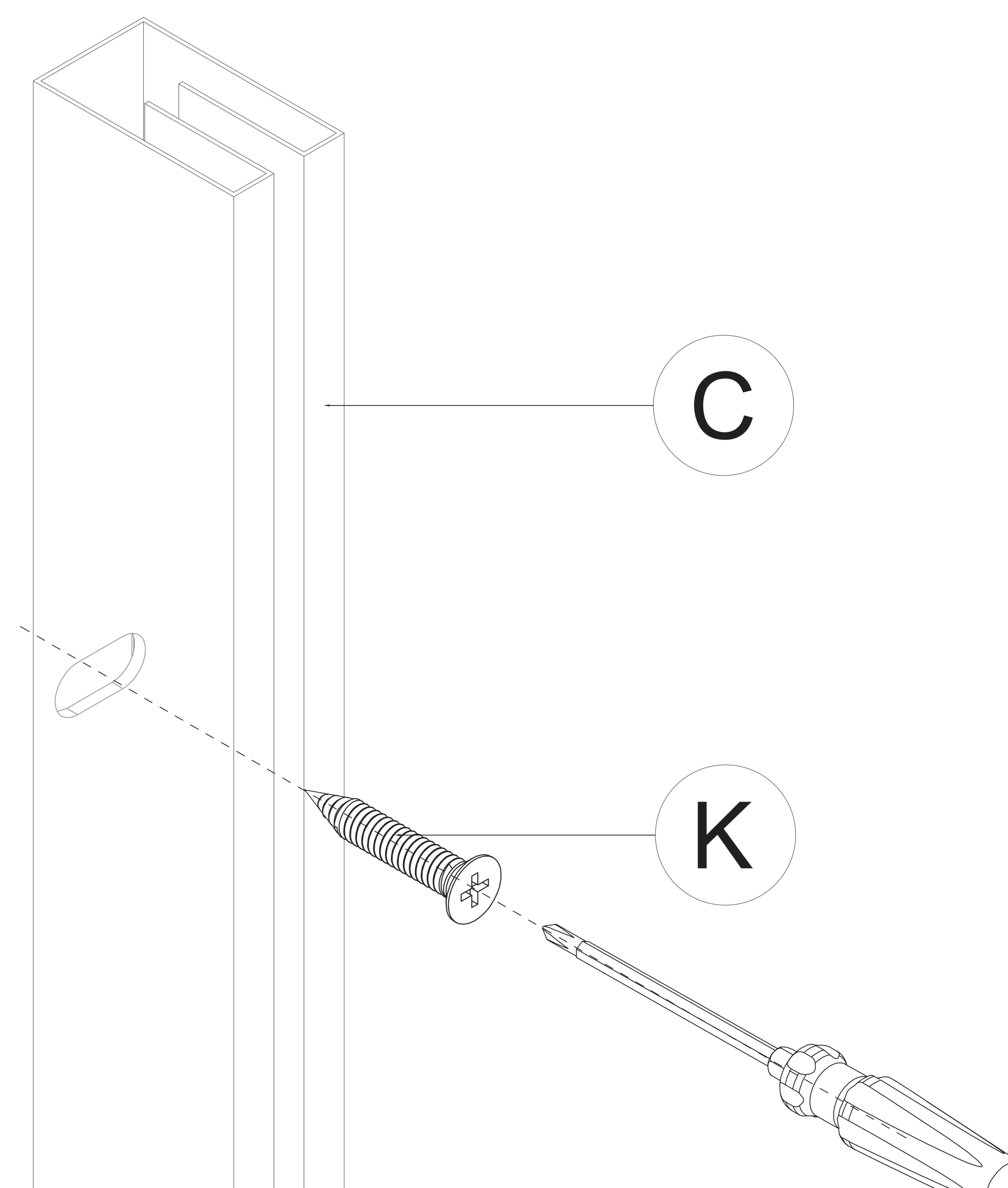
#### 2-2

Drill holes at the marked positions (6mm 30/127") , insert hollow wall plugs,



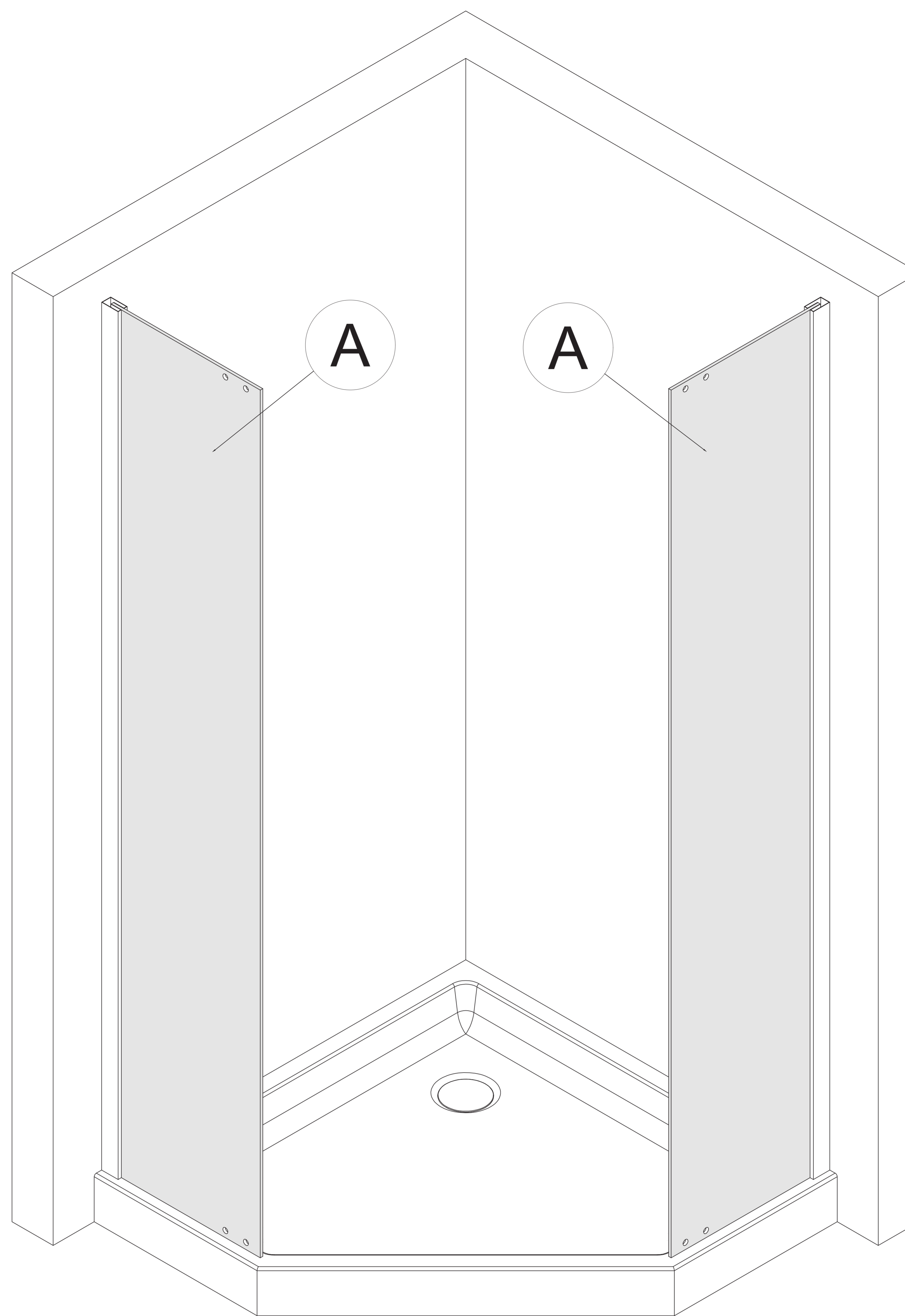
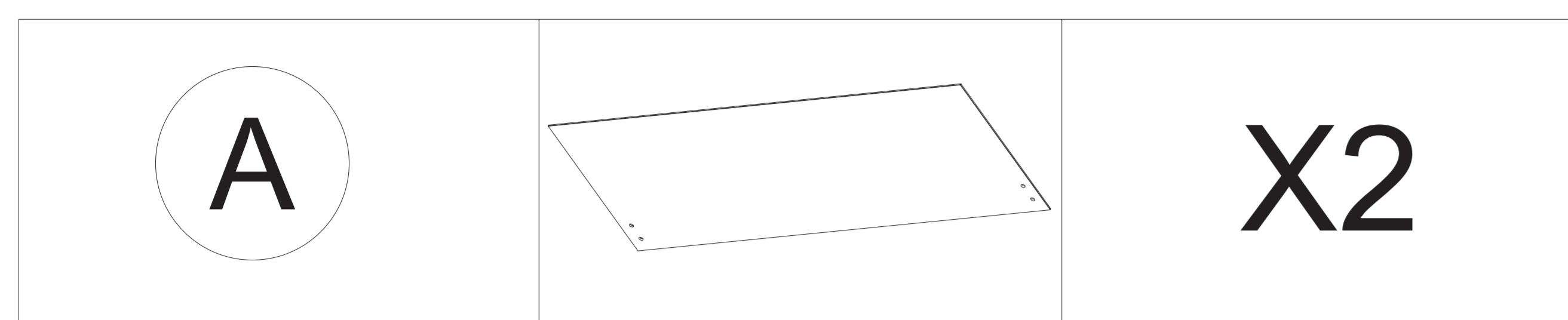
#### 2-3

Fix with screws.

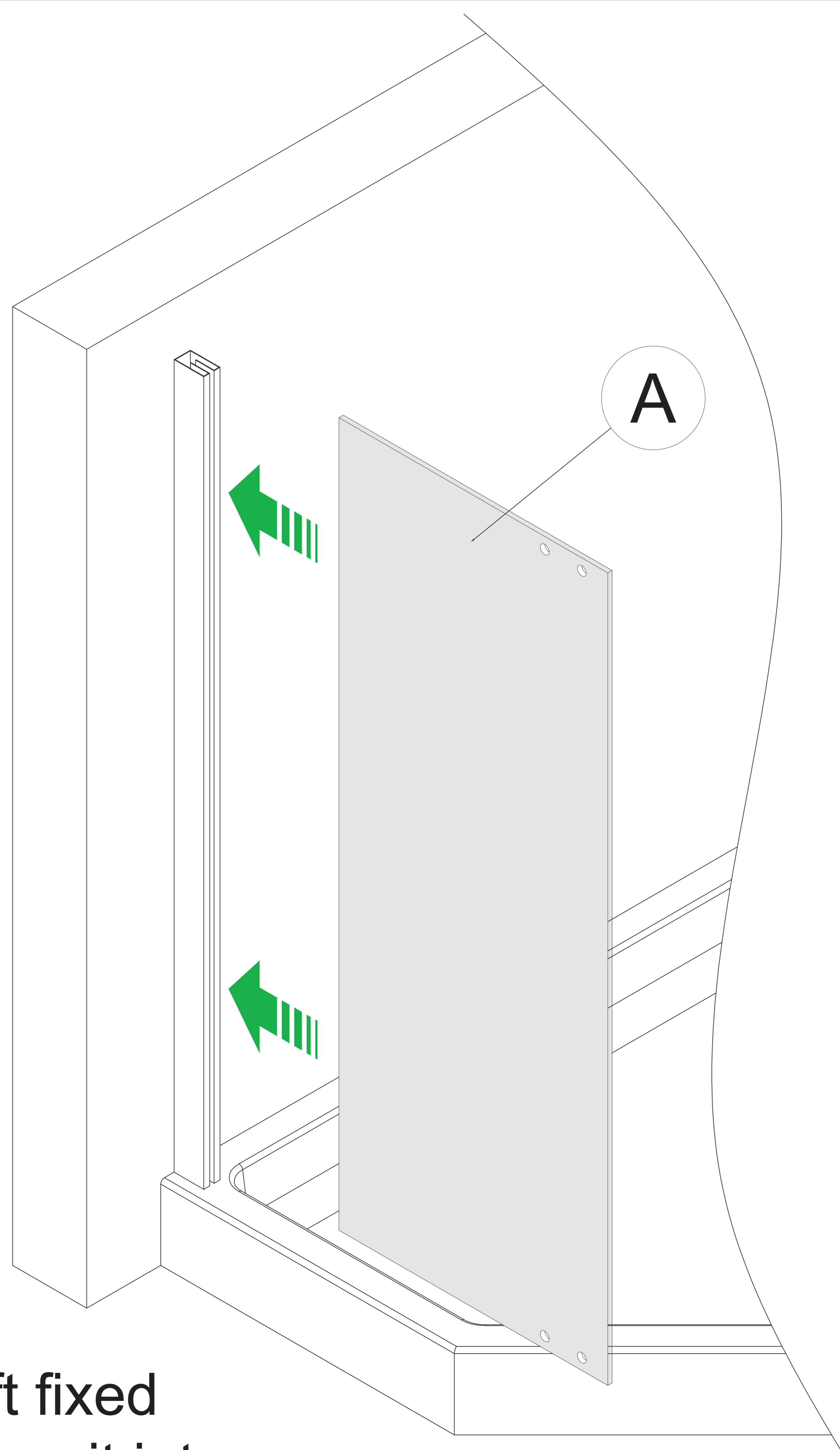


# STEP 3

## Install Fixed Glass

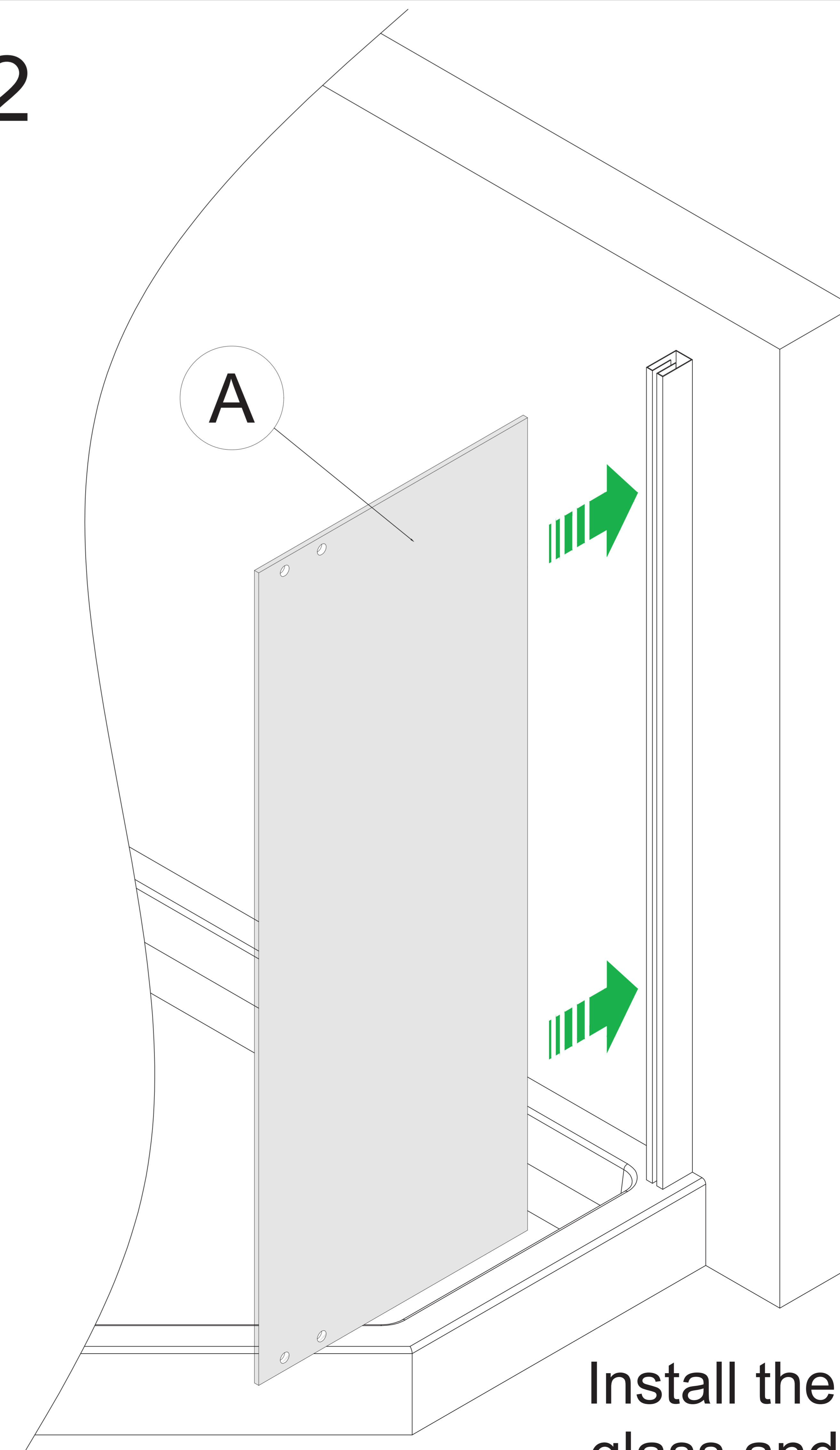


3-1



Install the left fixed glass and snap it into the left wall jamb.

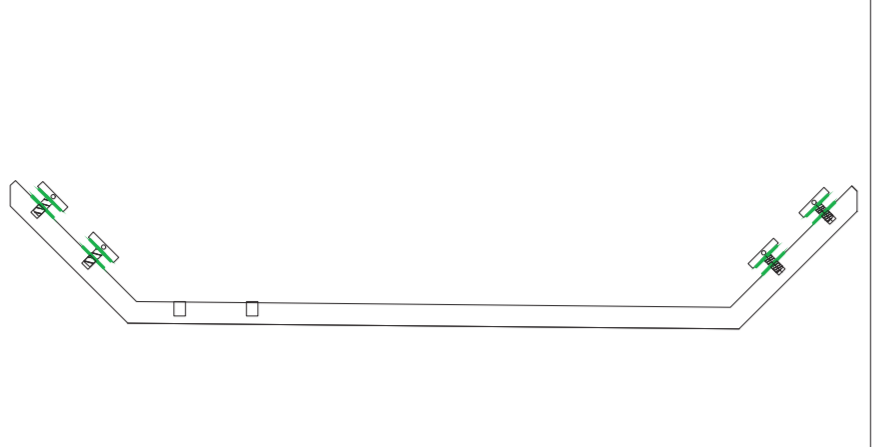
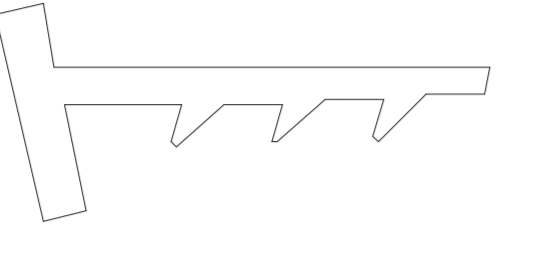
3-2

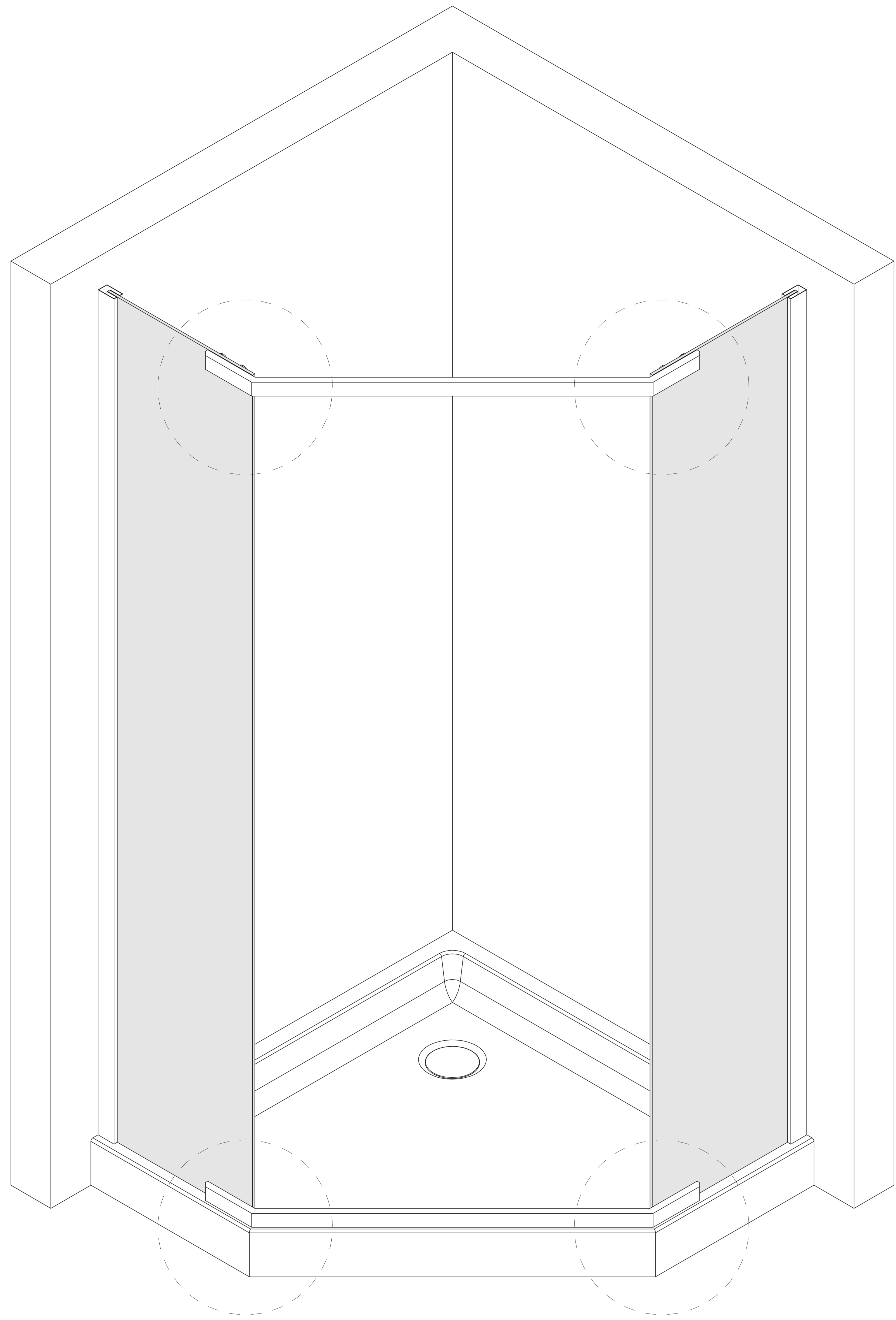


Install the right fixed glass and snap it into the right wall jamb.

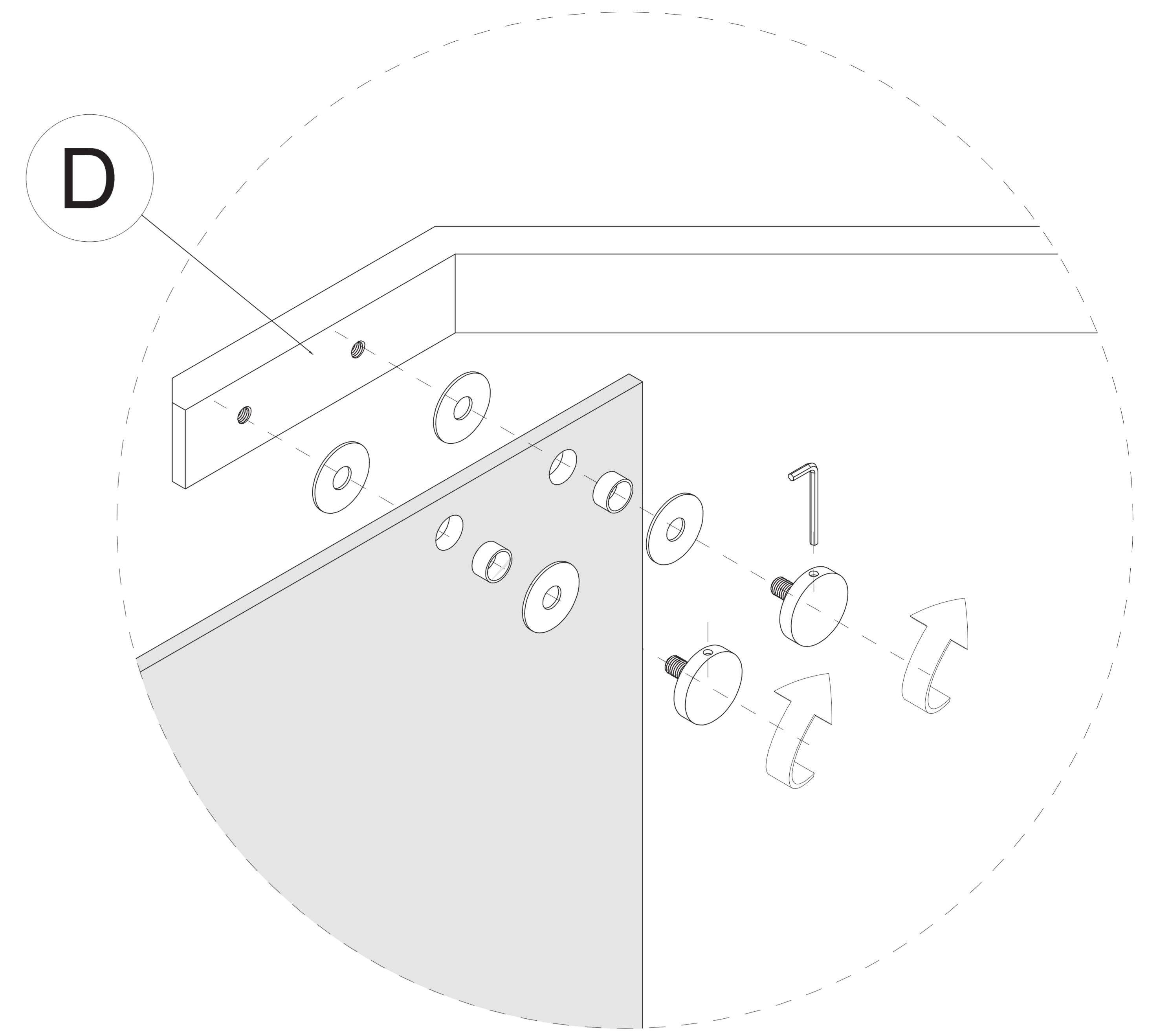
# STEP 4

## Install Tie Rods and Insert Single-sided Strips

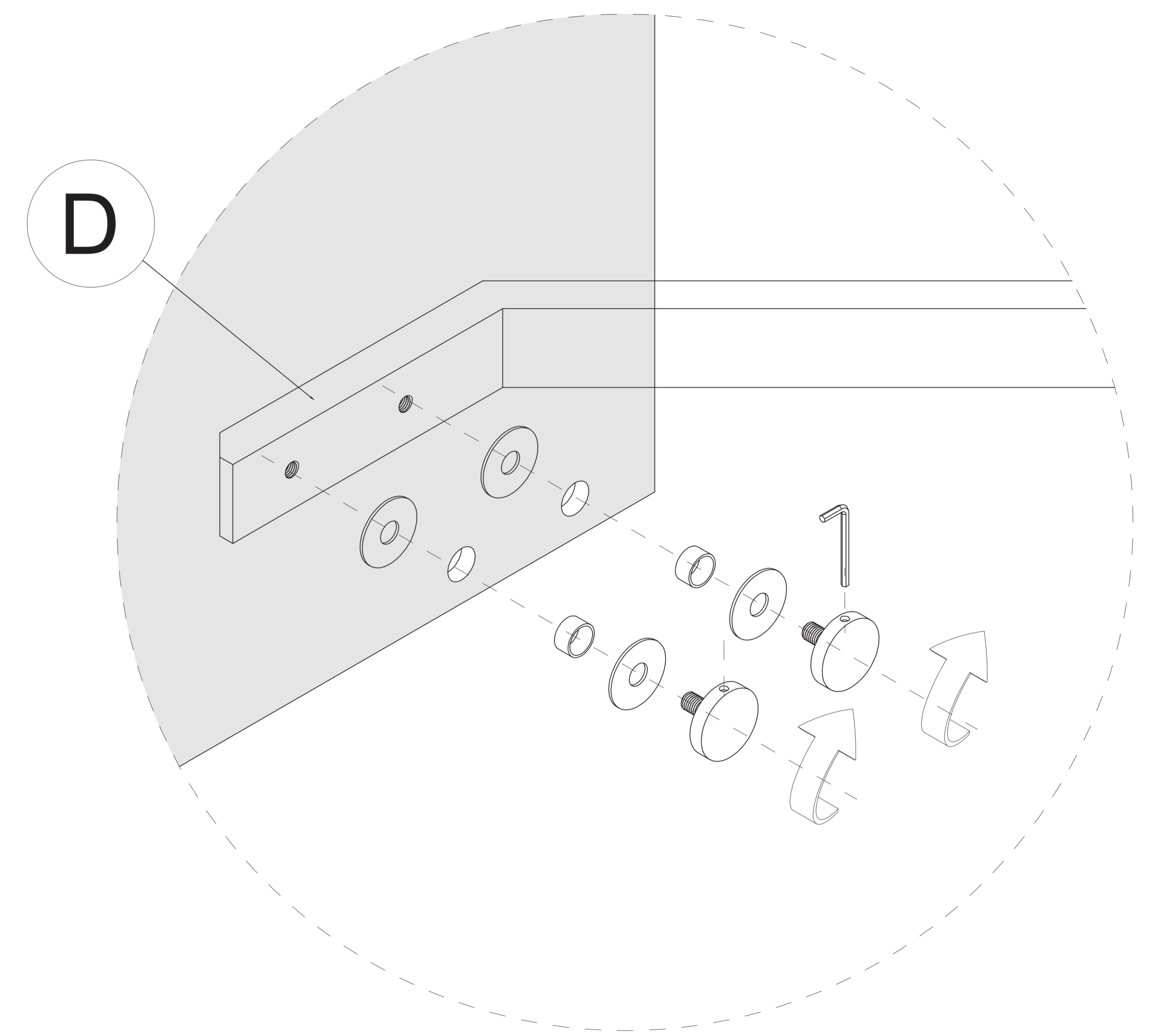
D		X2
J		X2



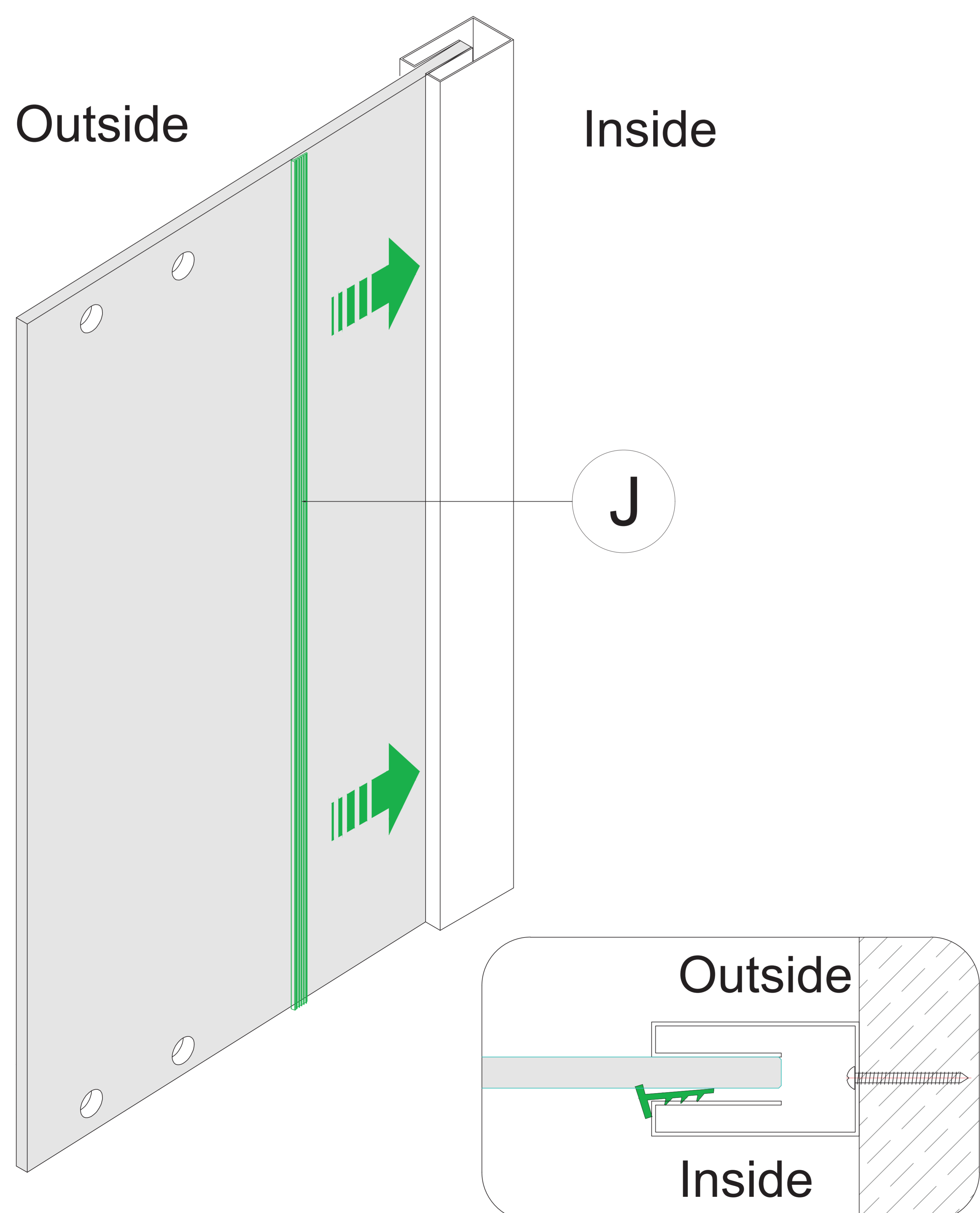
### 4-1



Install the tie rods.

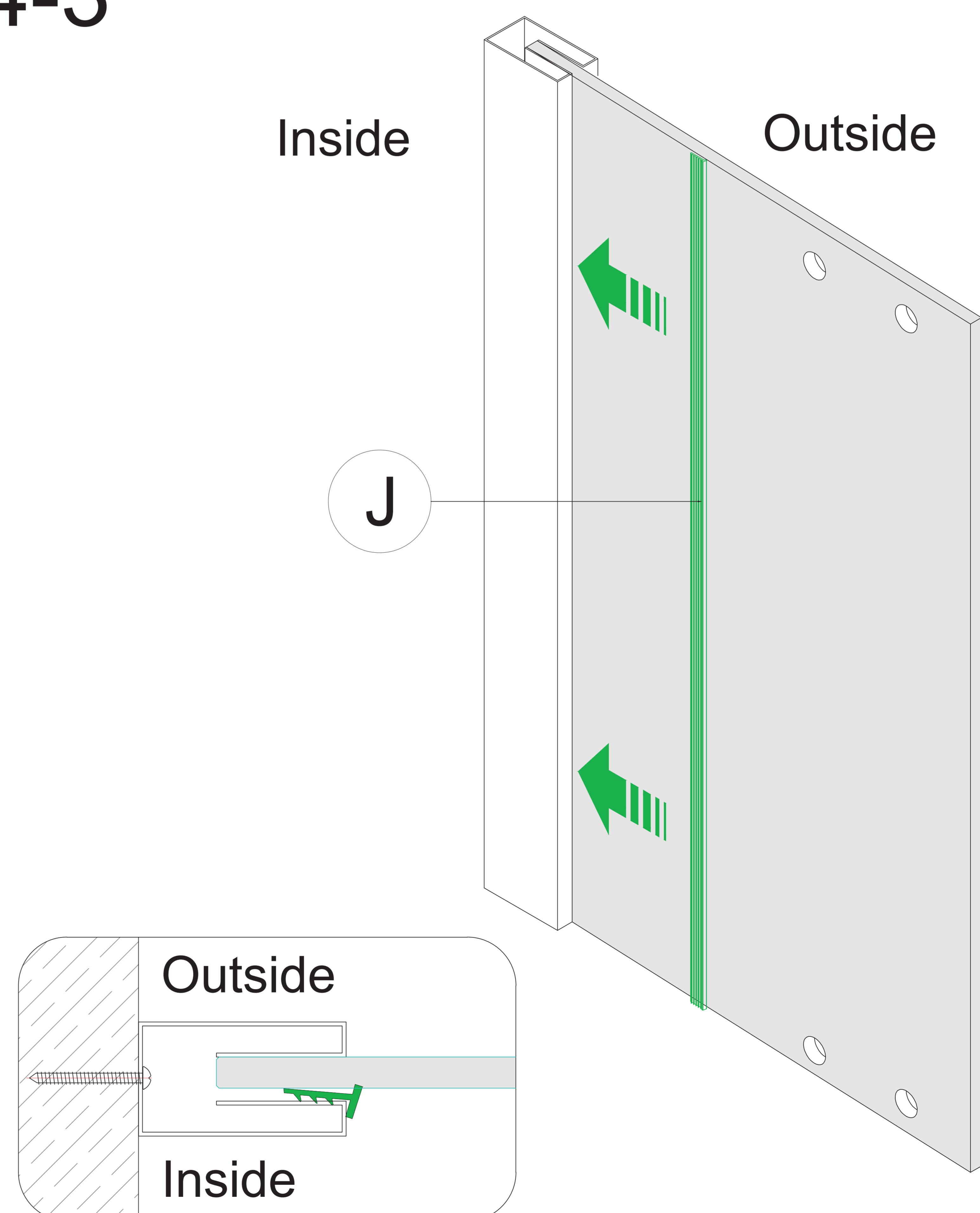


### 4-2



Insert the single-sided strip into the gap between the left fixed glass and the left wall jamb.

### 4-3

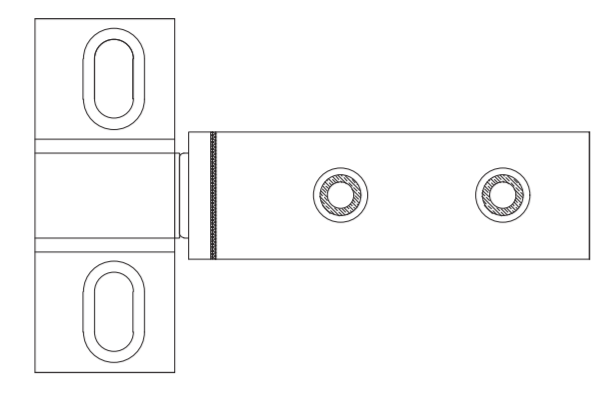


Insert the single-sided strip into the gap between the right fixed glass and the right wall jamb.

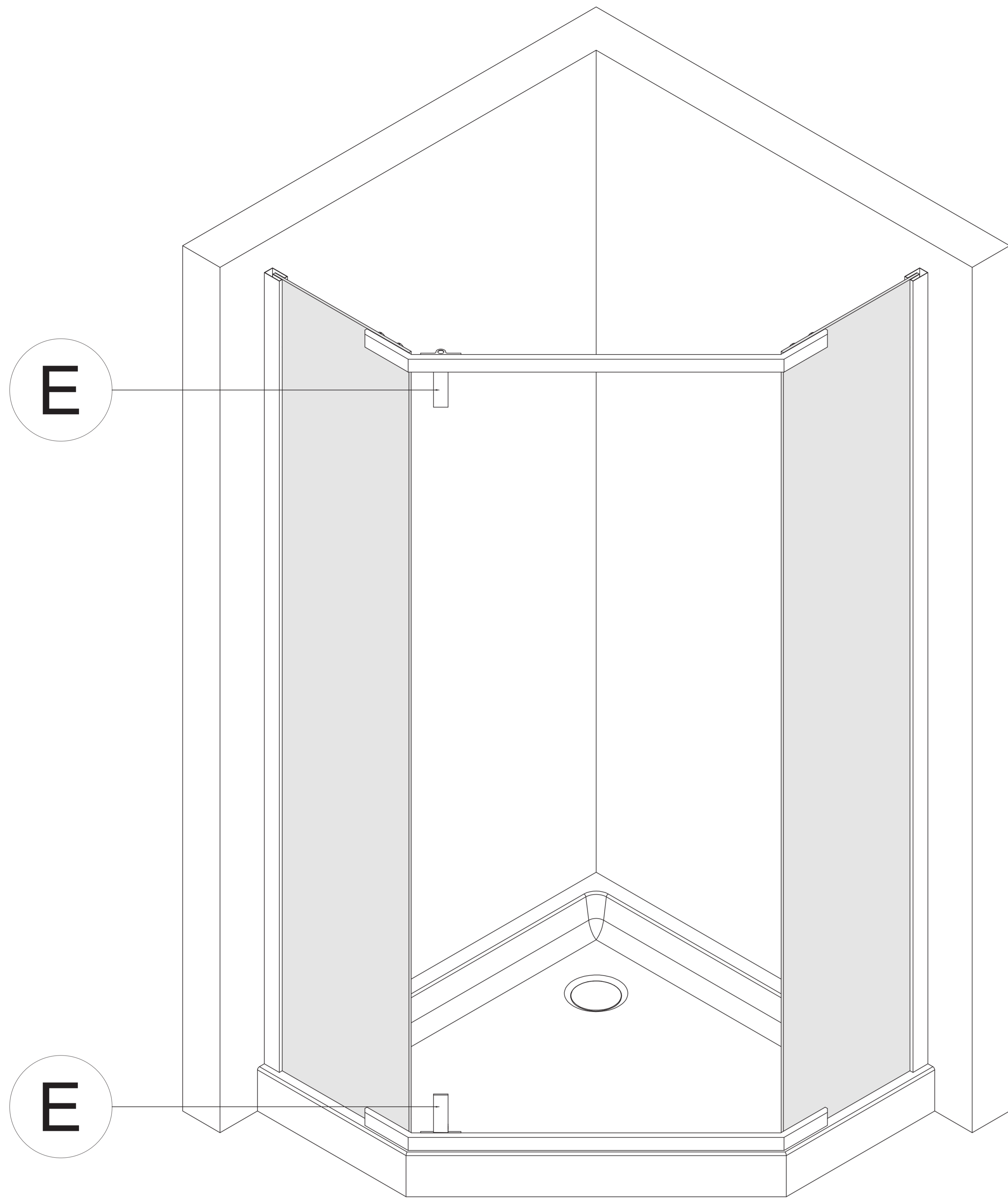
# STEP 5

## Install Hinges

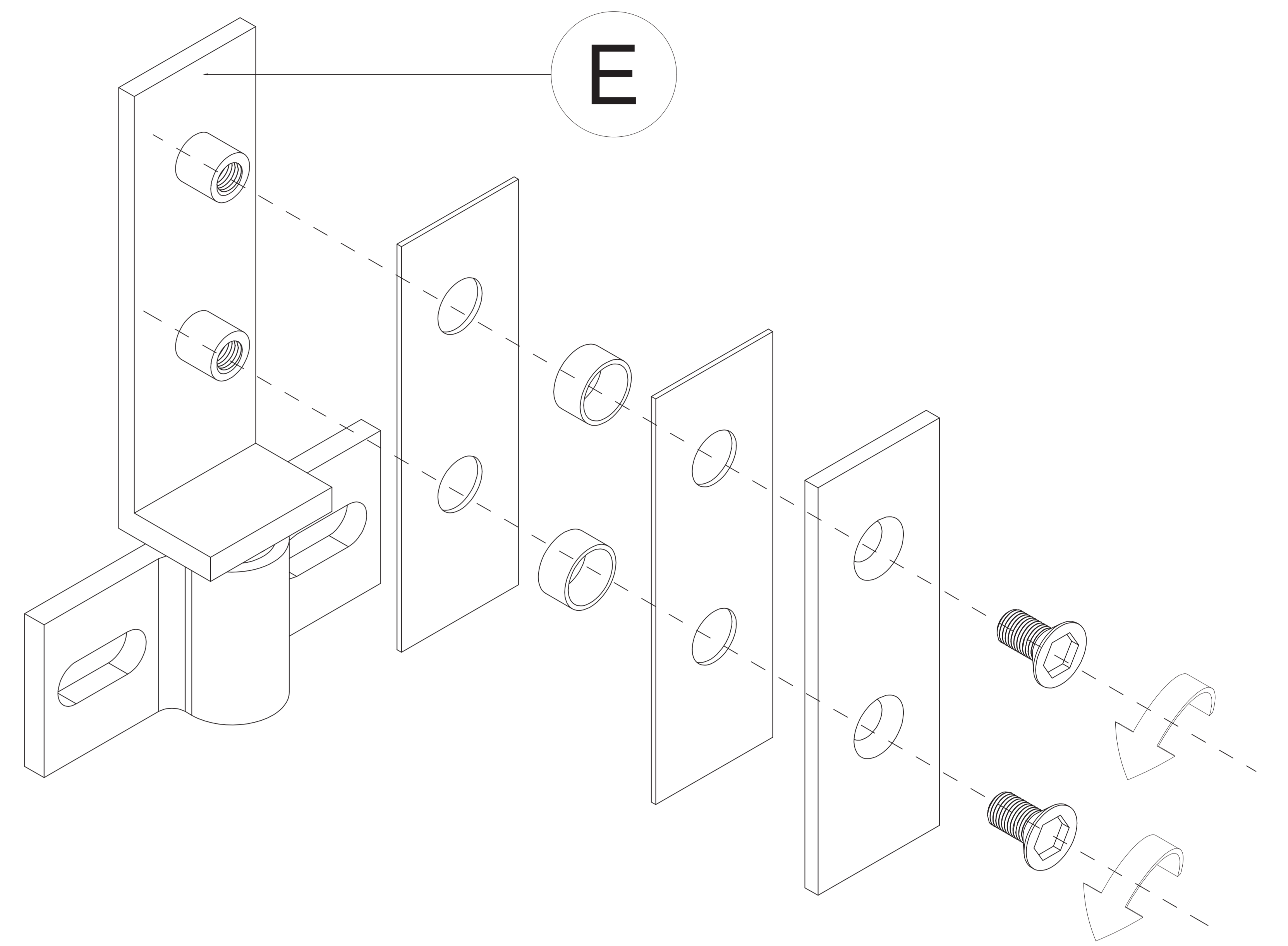
E



X2



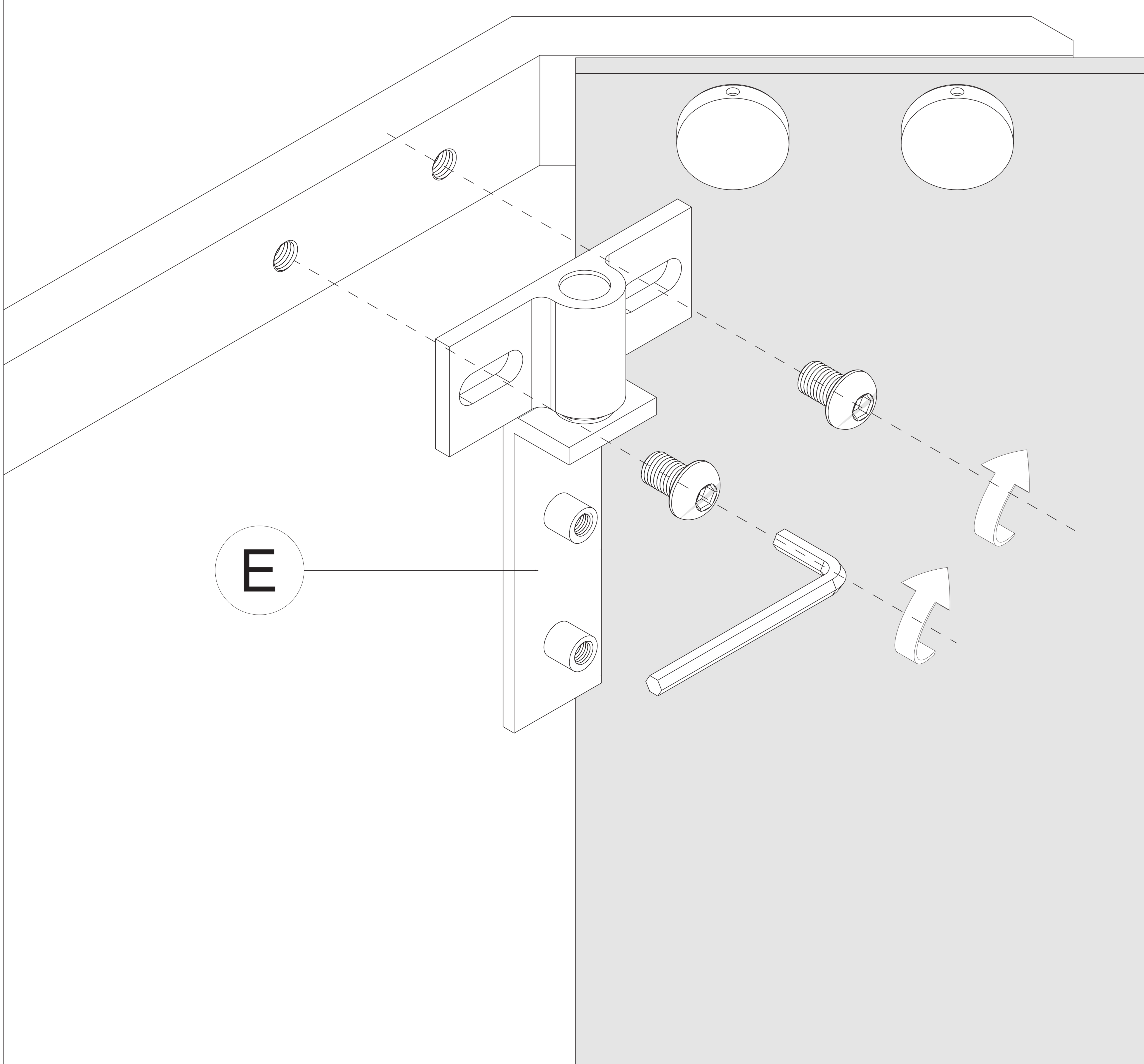
5-1



Disassemble the hinges.

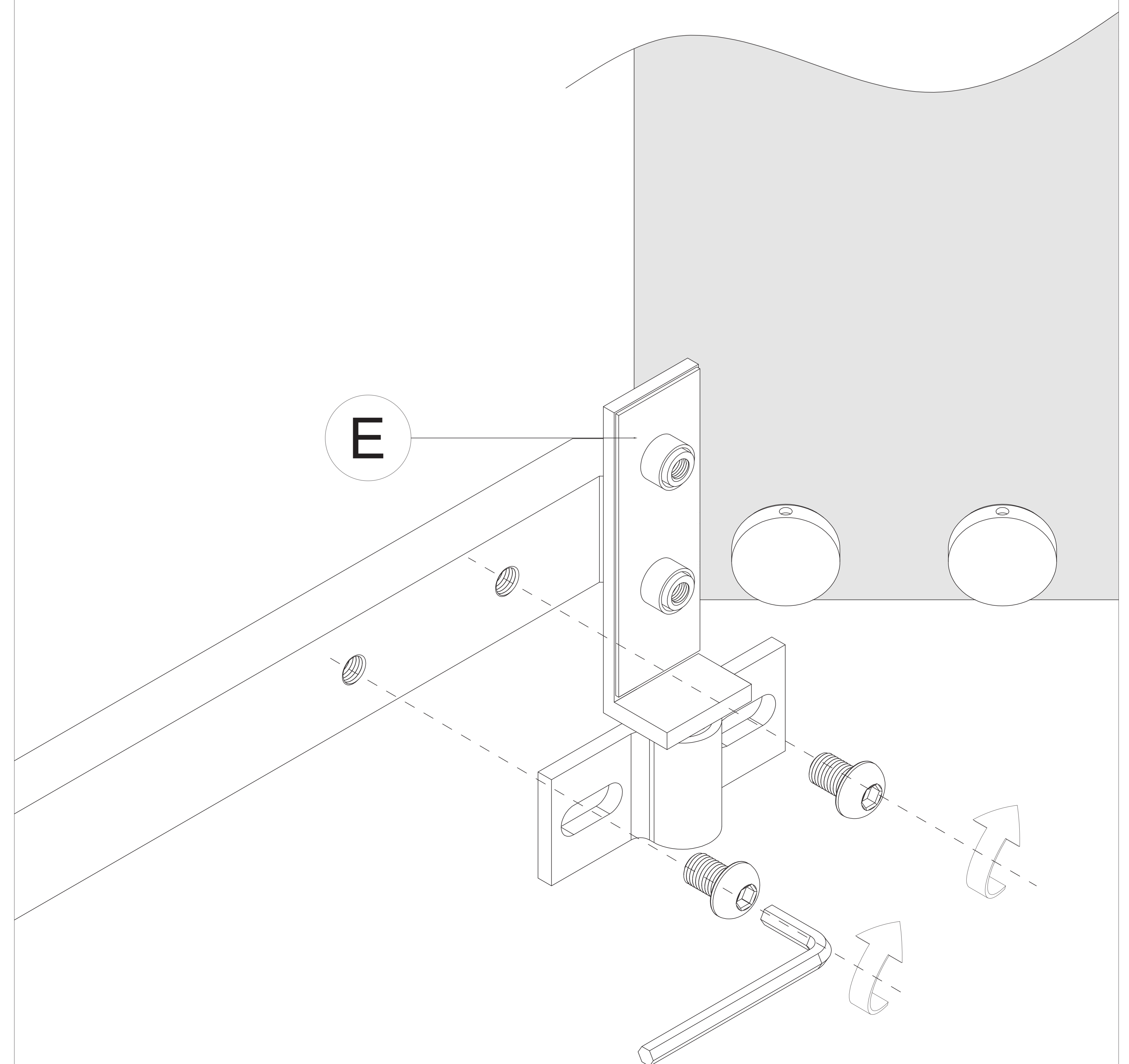
5-2

Install the hinge base on the top tie rod.



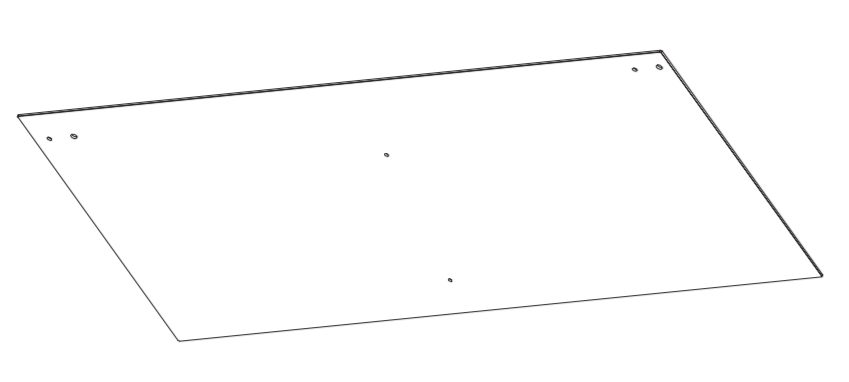
5-3

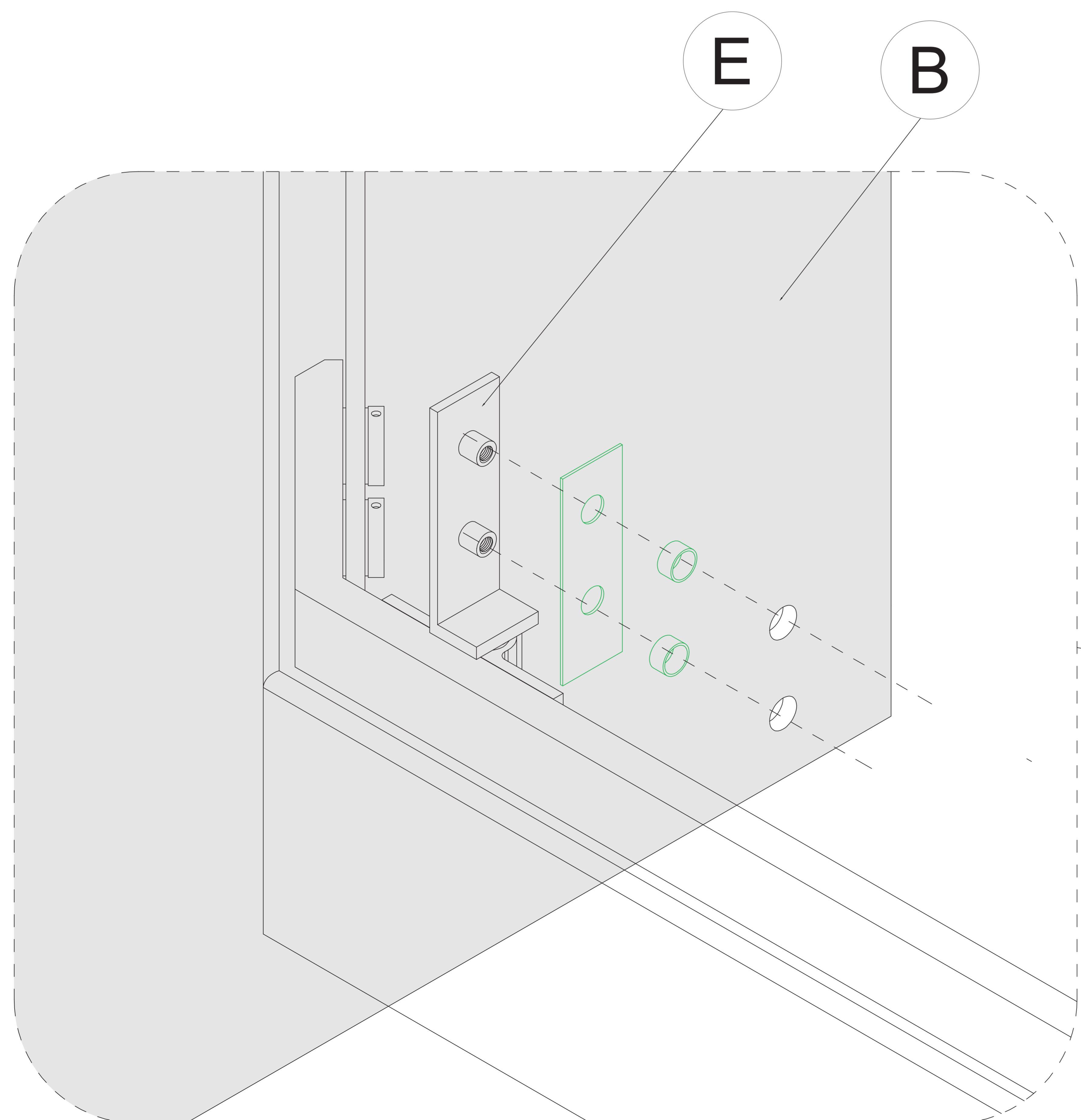
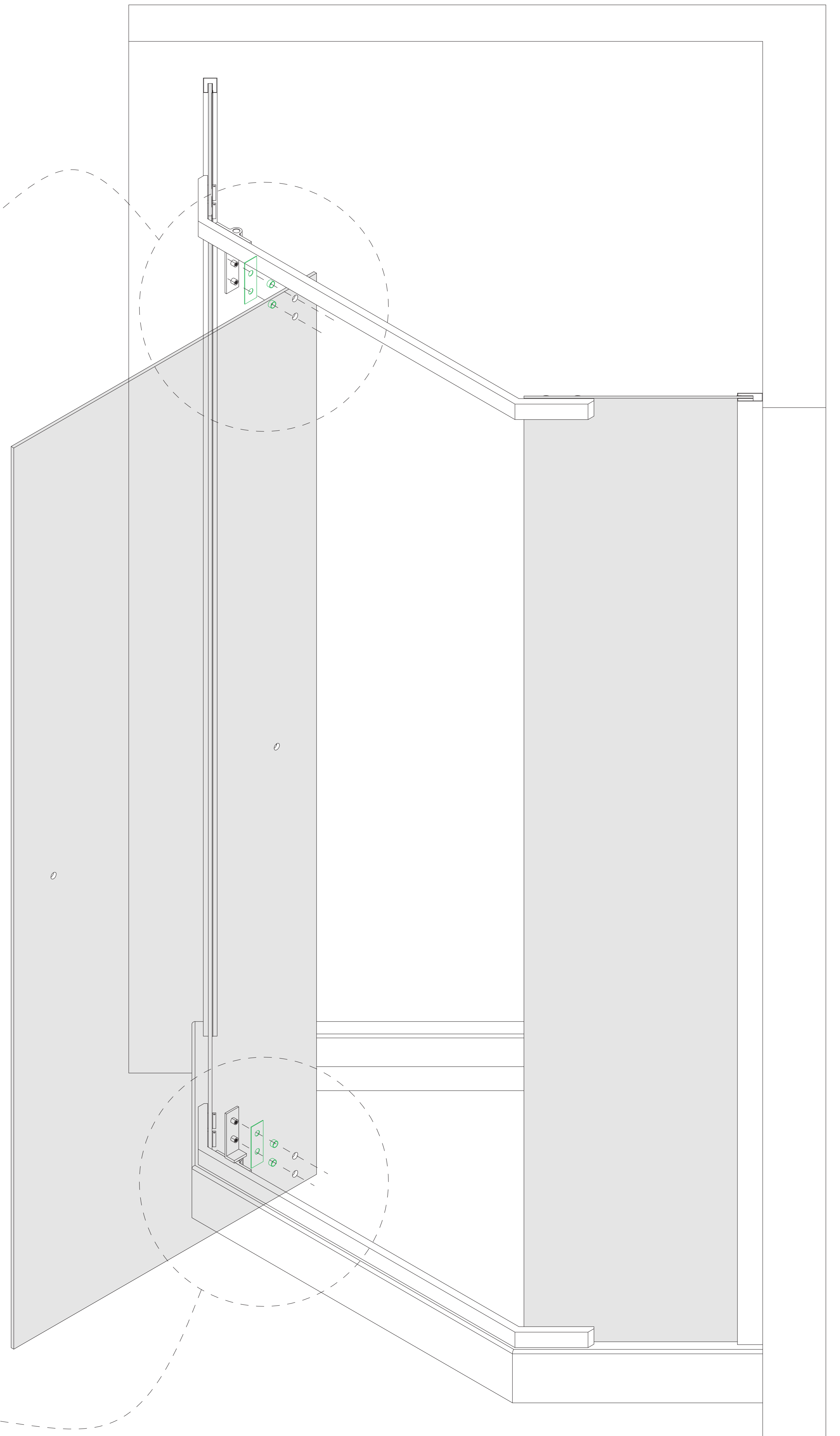
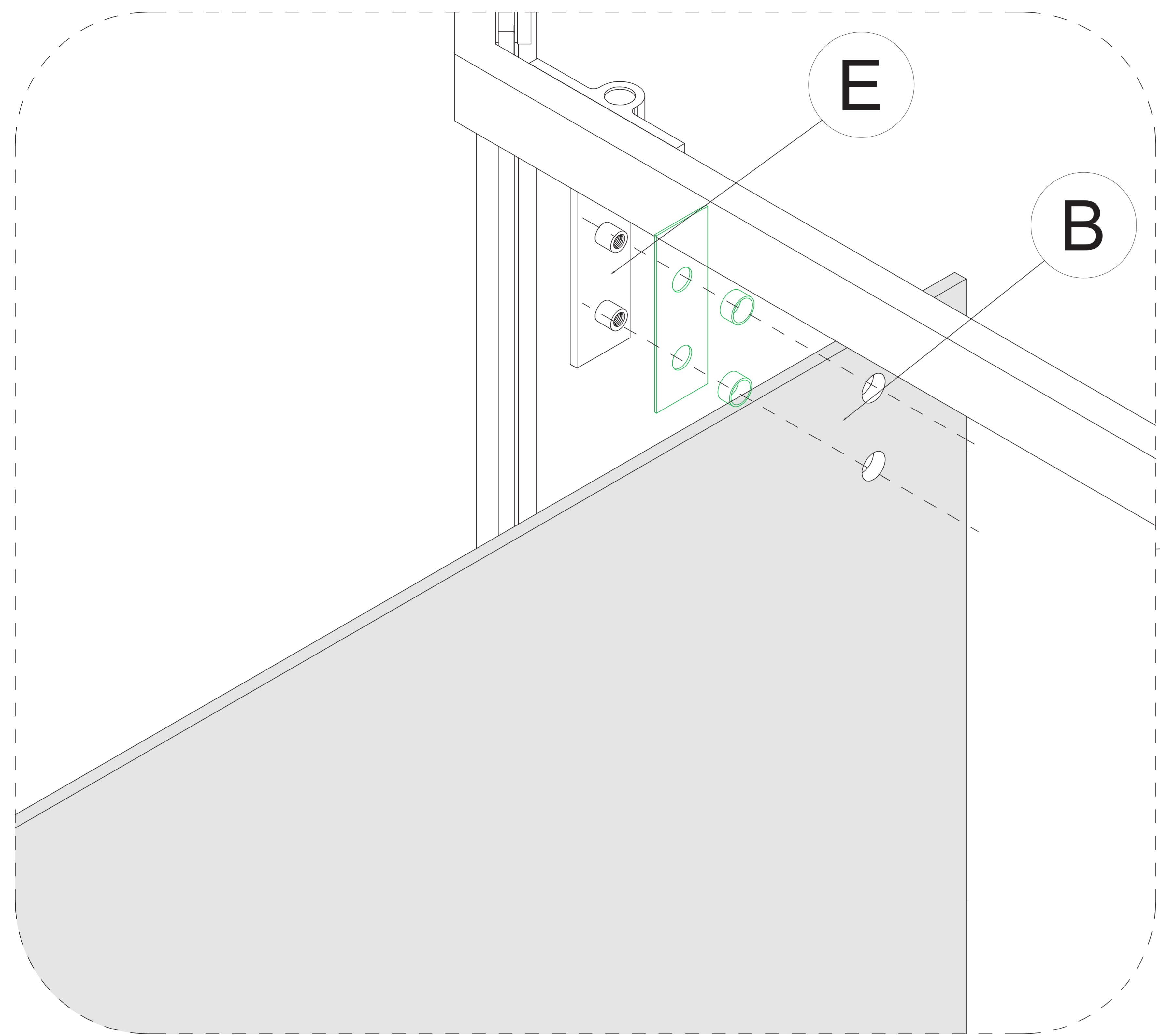
Install the hinge base on the bottom tie rod.



# STEP 6

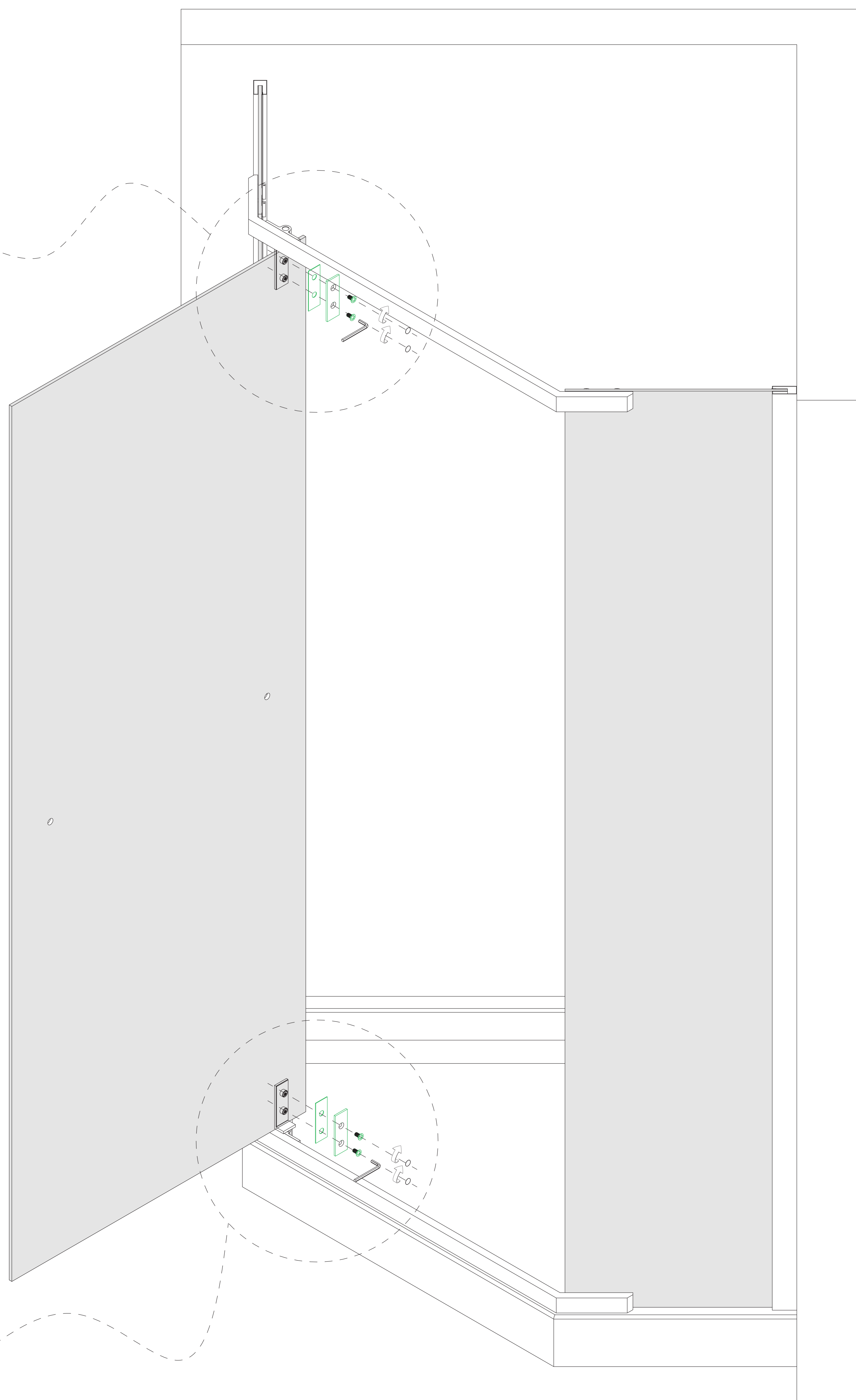
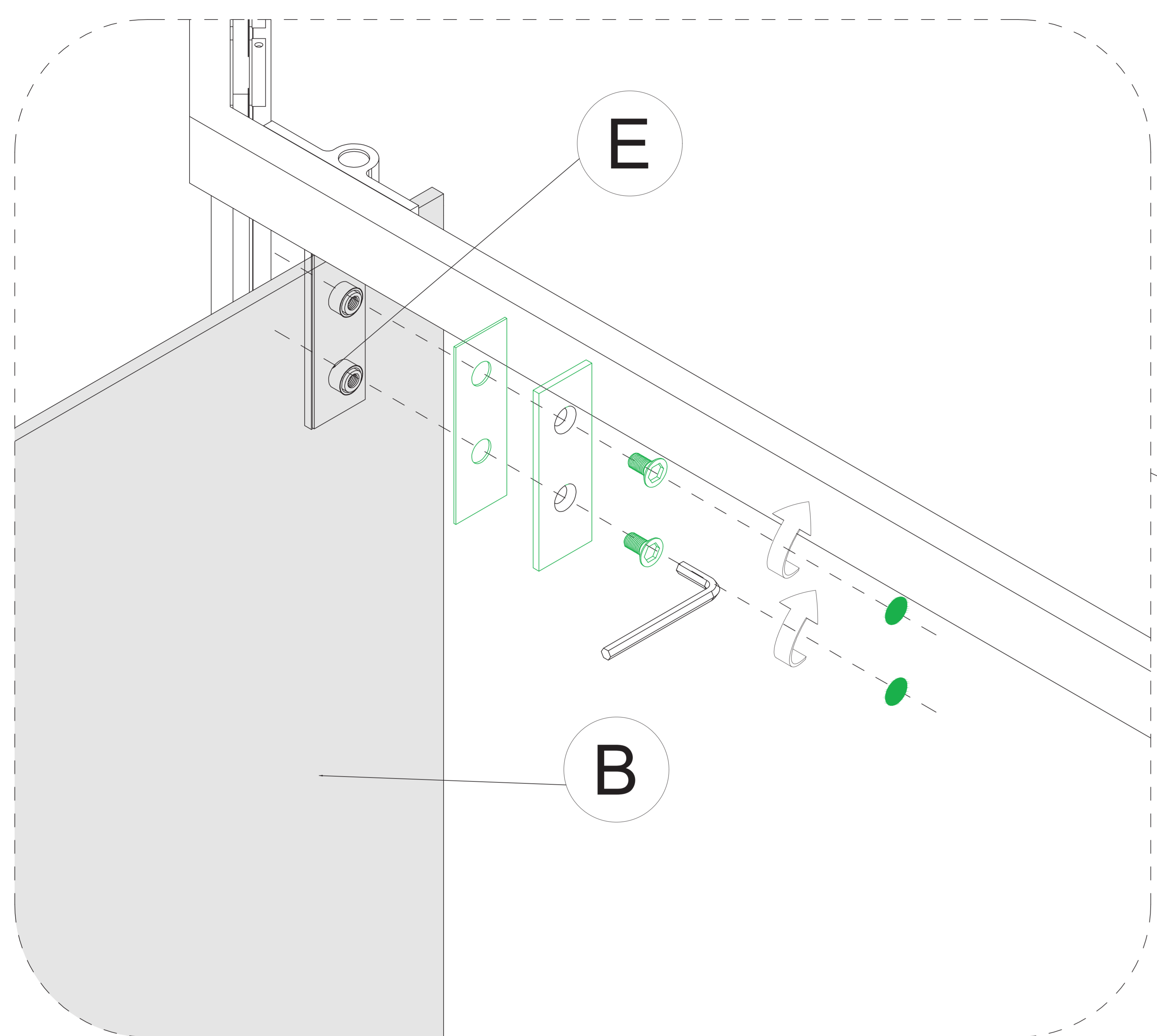
## Snap the Movable Glass Door into the Hinges

<b>B</b>		<b>X1</b>
----------	---	-----------

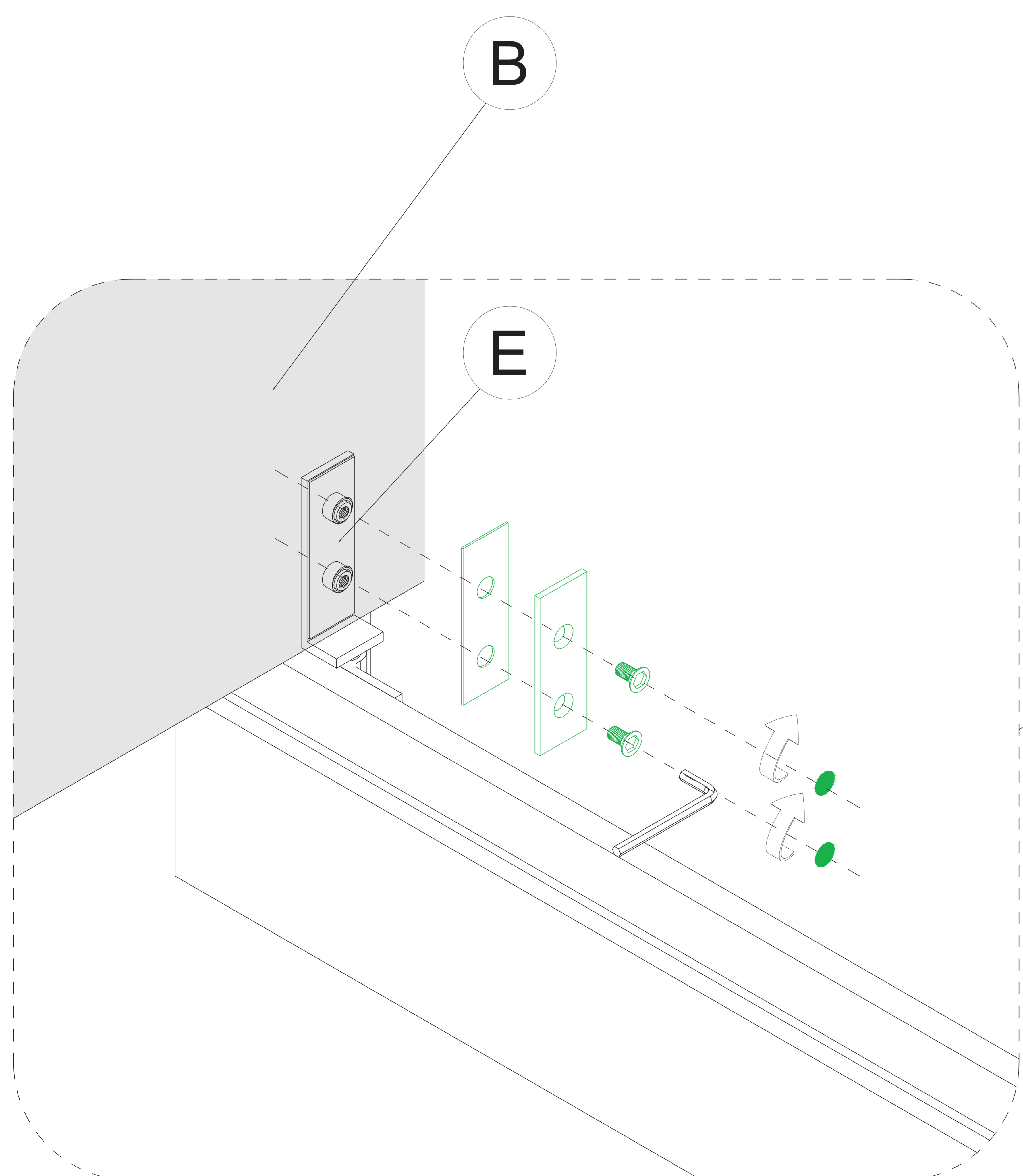


# STEP 7

## Fix the Movable Glass Door

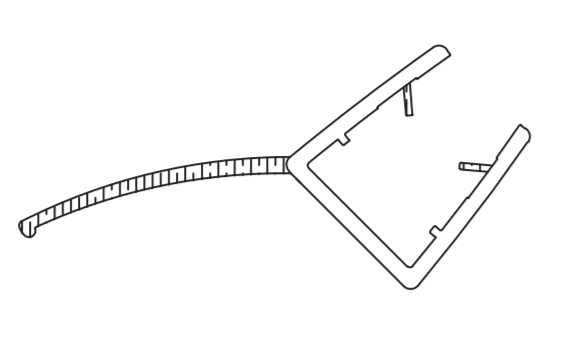
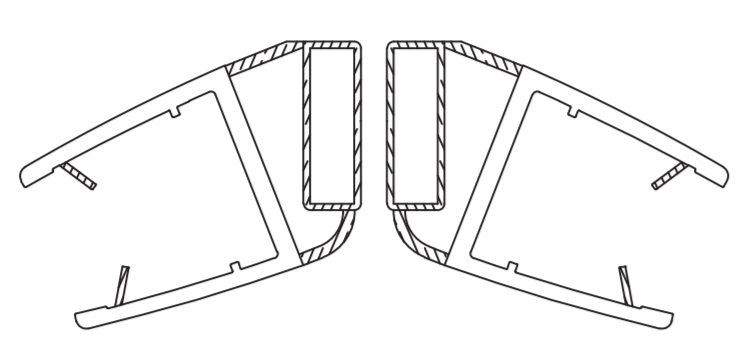


Tighten the hinge screws to fix the movable glass, then cover with the decorative cap.

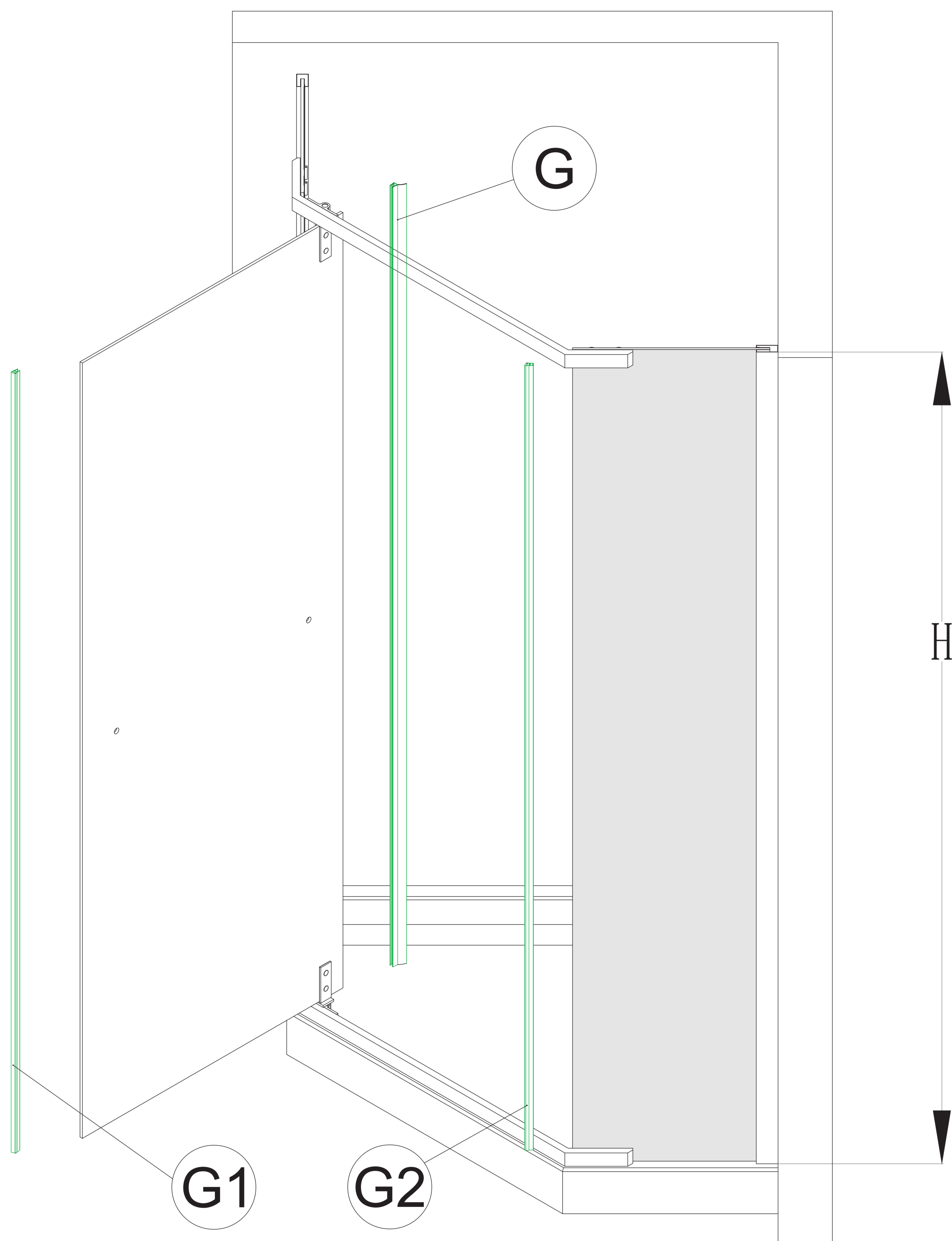


# STEP 8

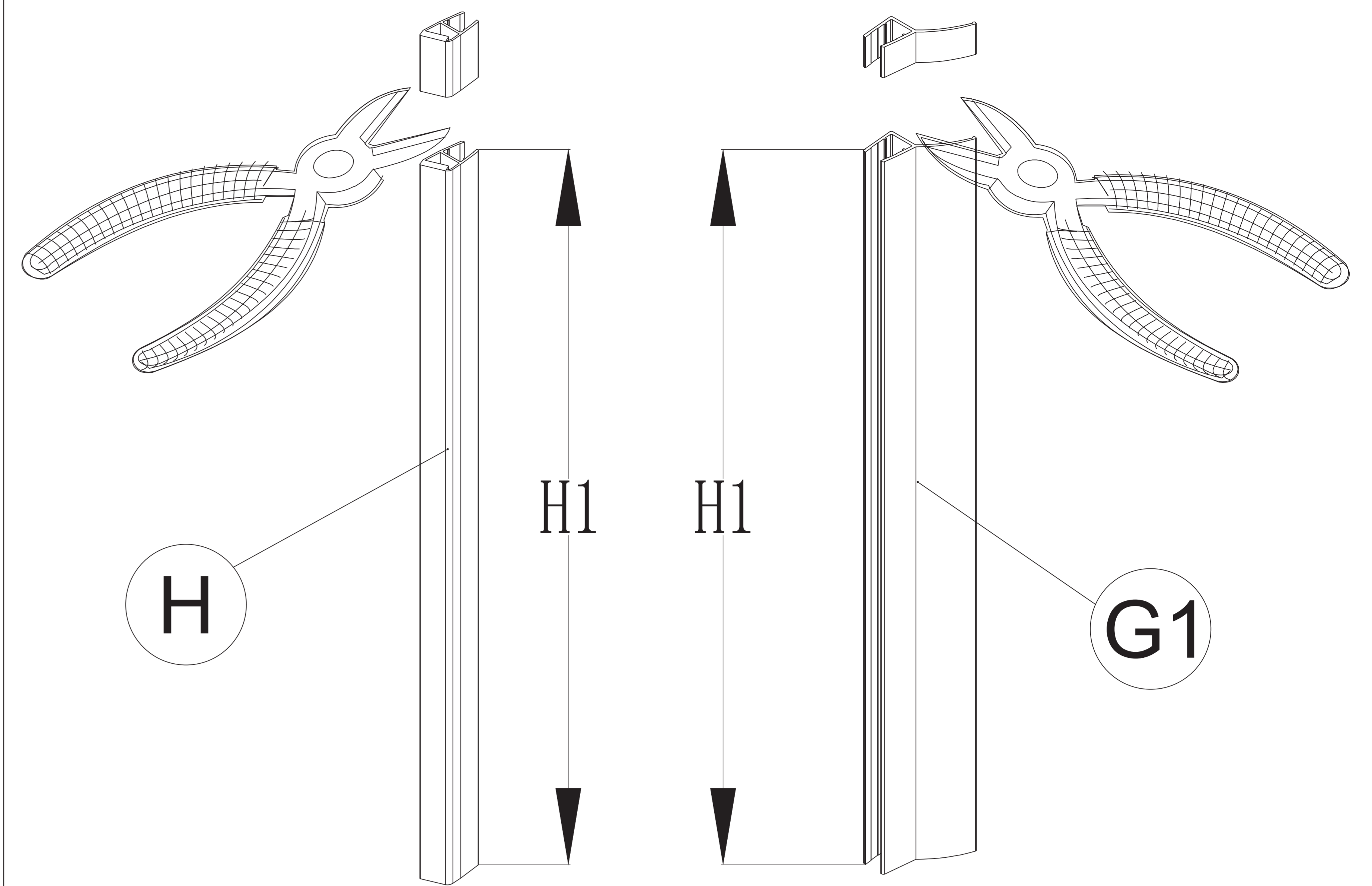
## Install Side Strip and Magnetic Strips

G		X1
H		X2

Measure the height of the shower enclosure (H).

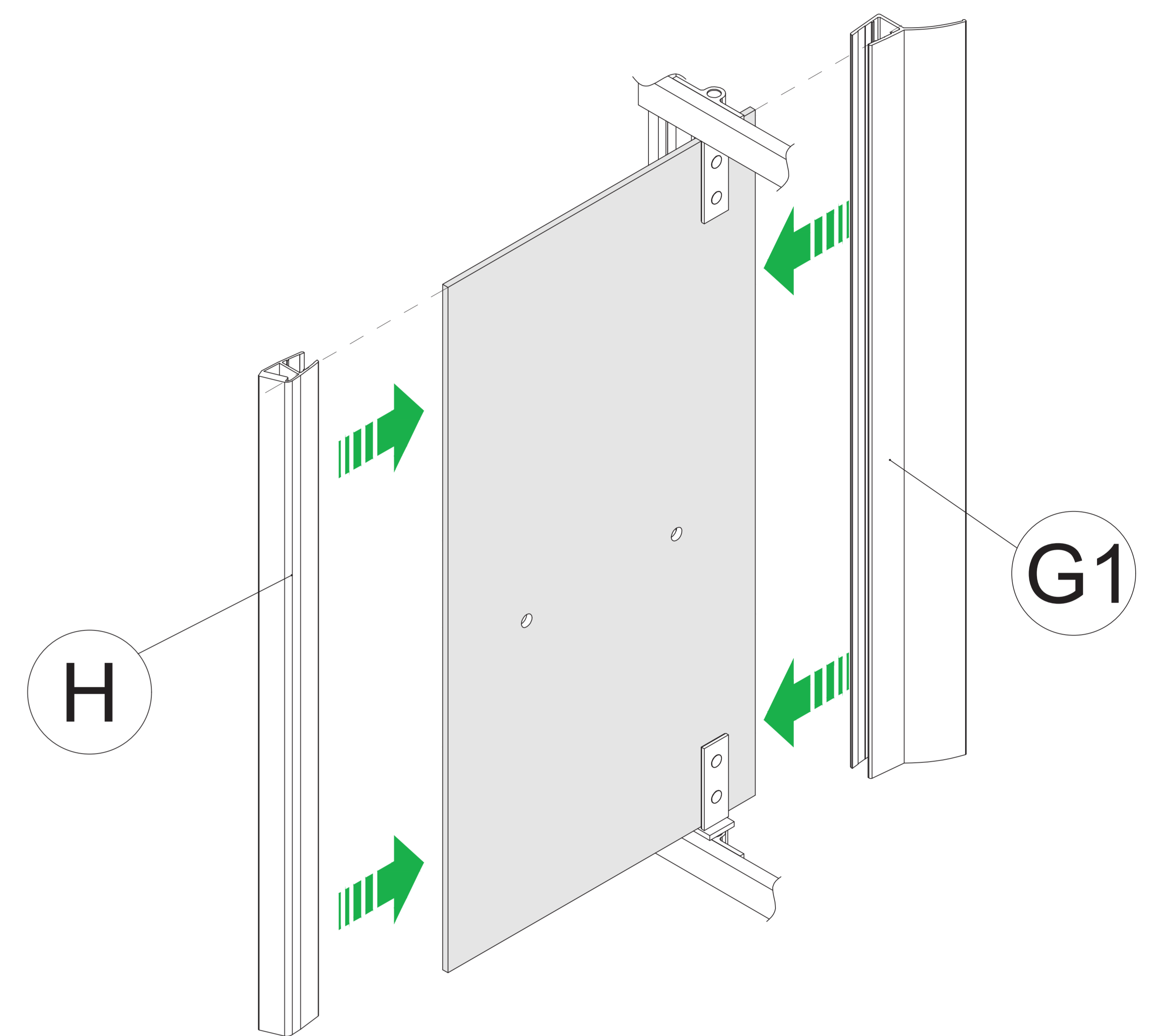


8-1  $H1 = H - 72\text{mm} (2 \frac{13}{16}'' )$



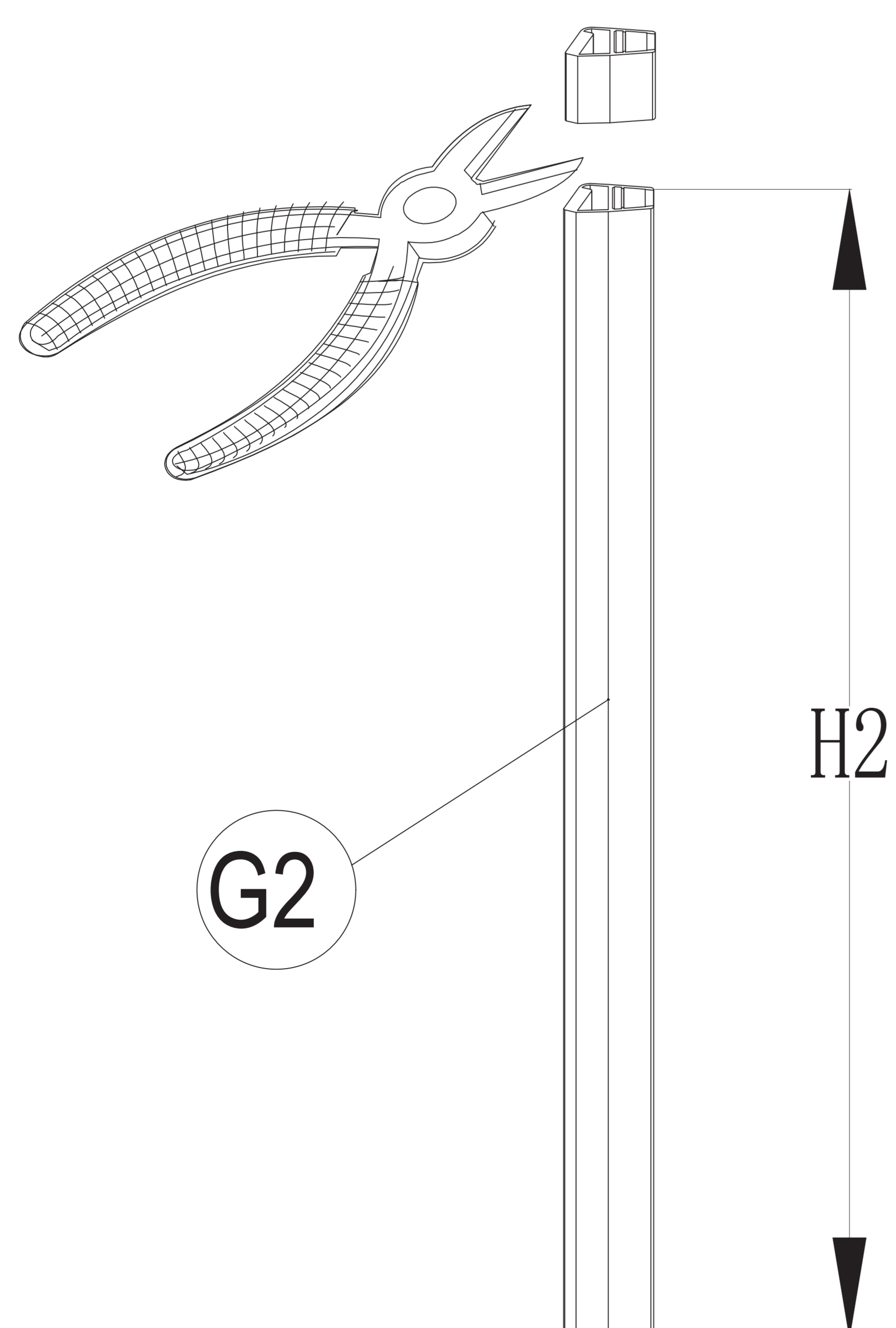
Cut the side water stopper strip and the magnetic strip on the door glass:  
 $H1 = H - 72\text{mm} (2 \frac{13}{16}'' )$

8-2



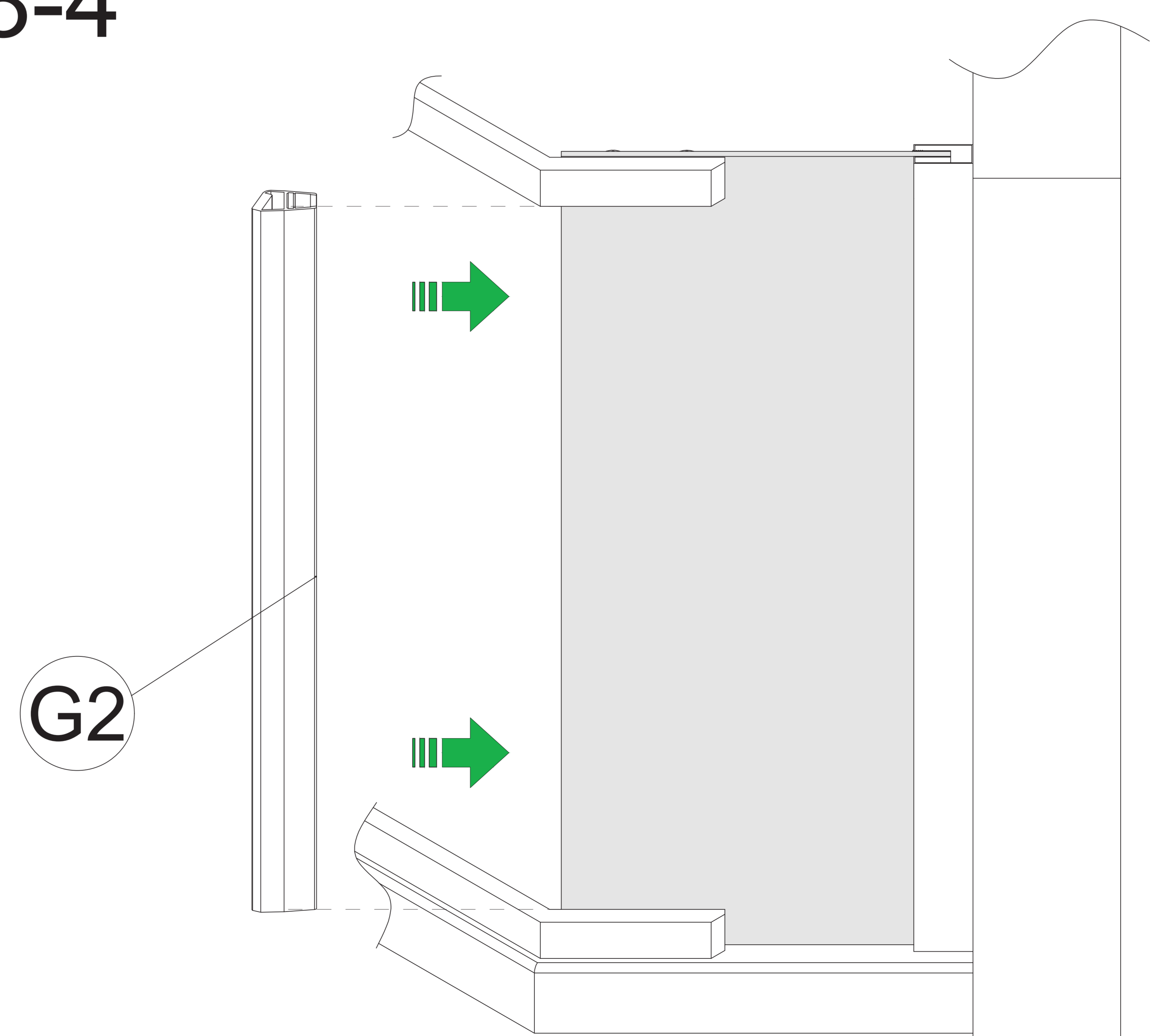
Install the strip on the movable glass  
 (flush with the top of the movable glass)

8-3  $H2 = H - 60\text{mm} (2 \frac{3}{8}'' )$



Cut the magnetic strip for the fixed glass:  
 $H2 = H - 60\text{mm} (2 \frac{3}{8}'' )$

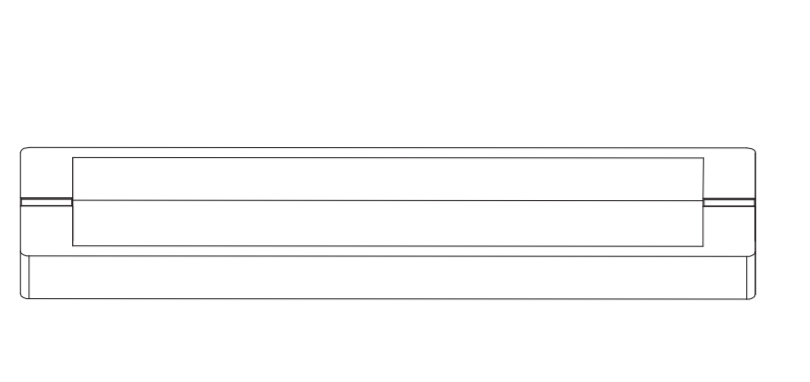
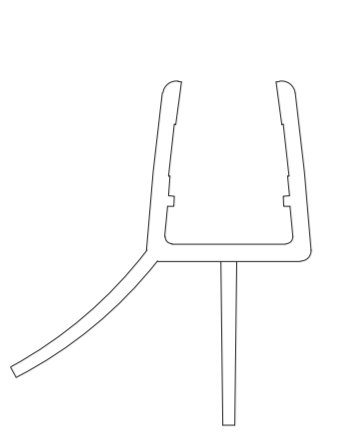
8-4

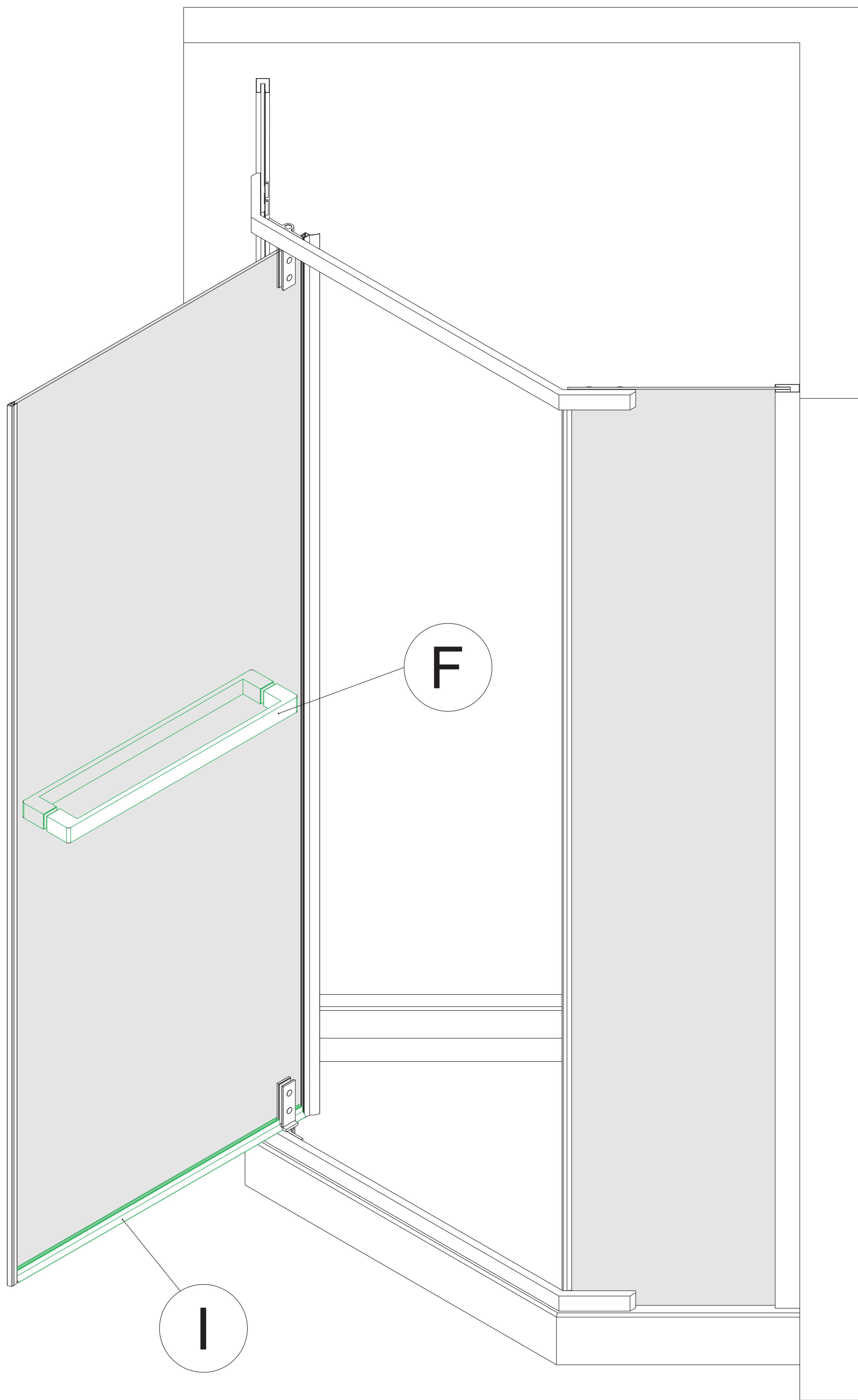


Install the magnetic strip on the fixed glass.

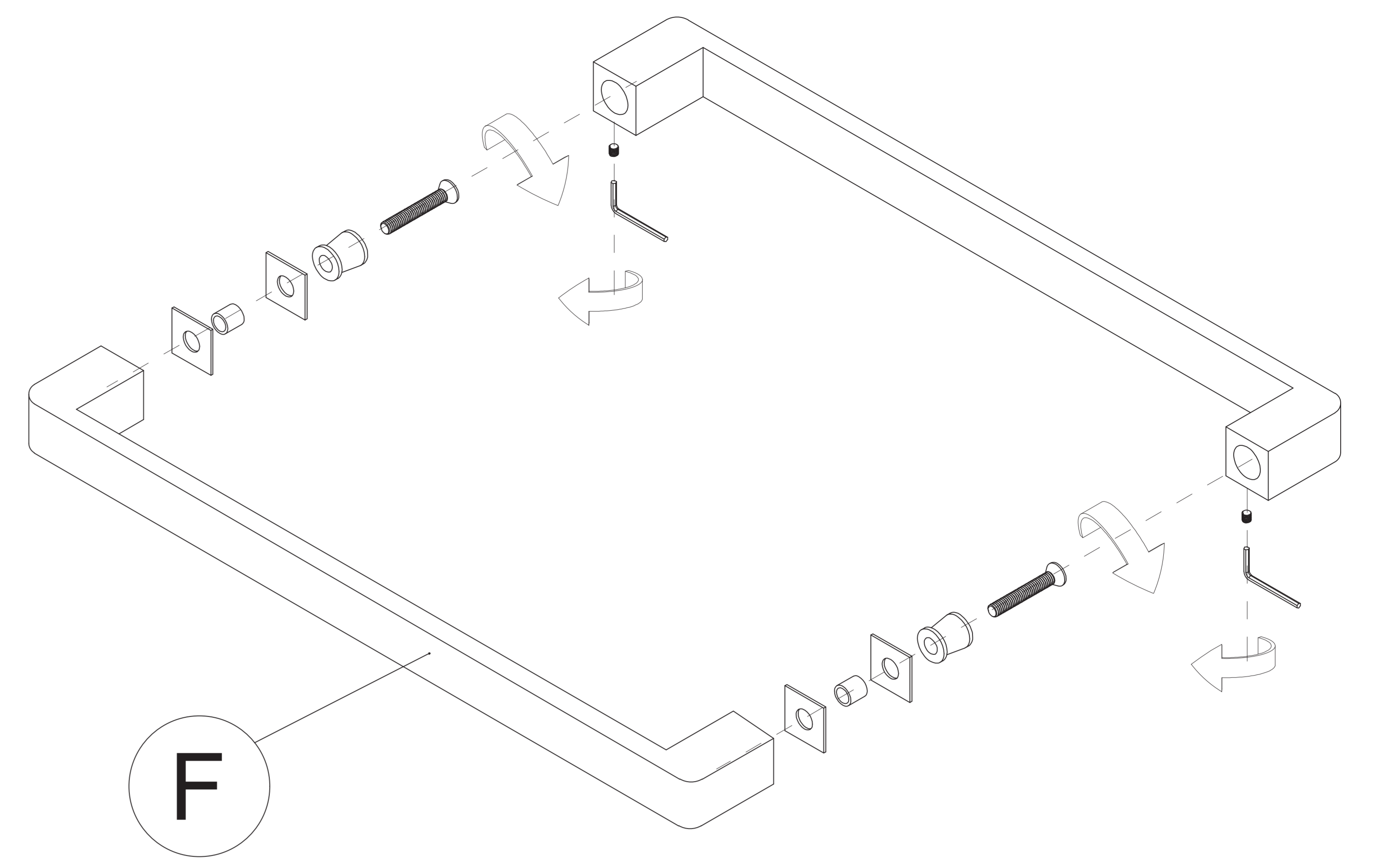
# STEP 9

## Install Handle and Bottom Water Stopper Strip

F		X1
I		X1

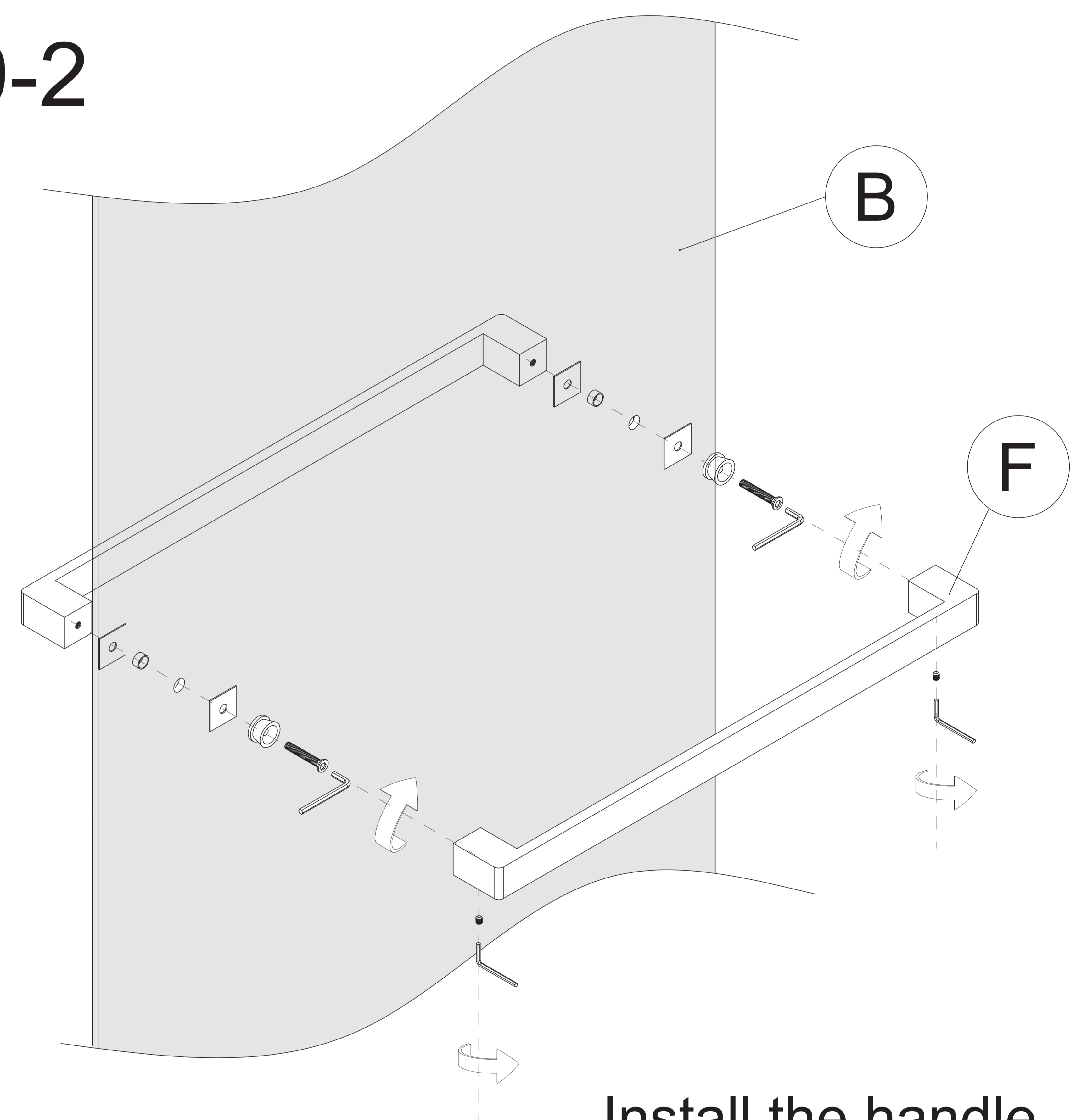


9-1



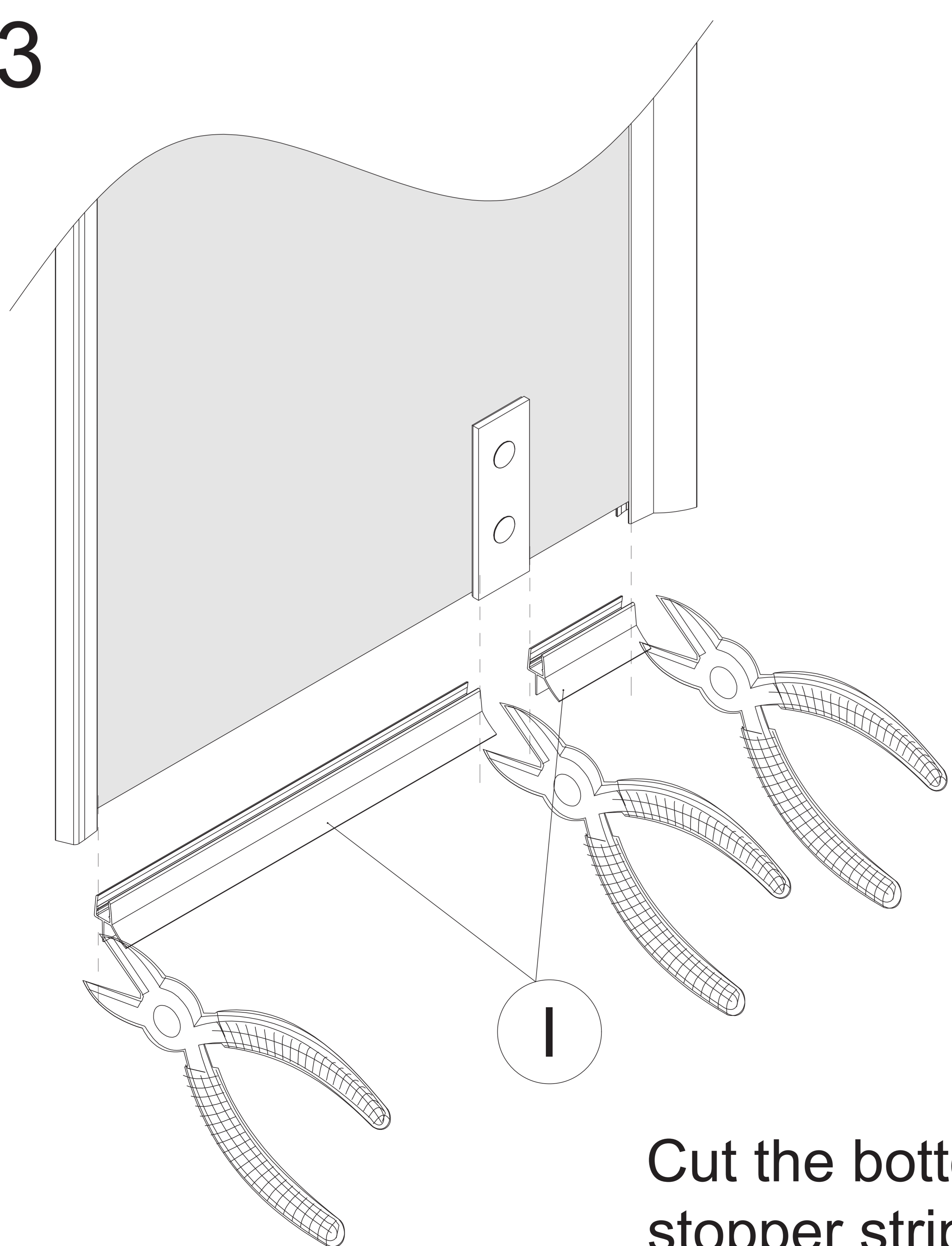
Loosen the handle screws.

9-2



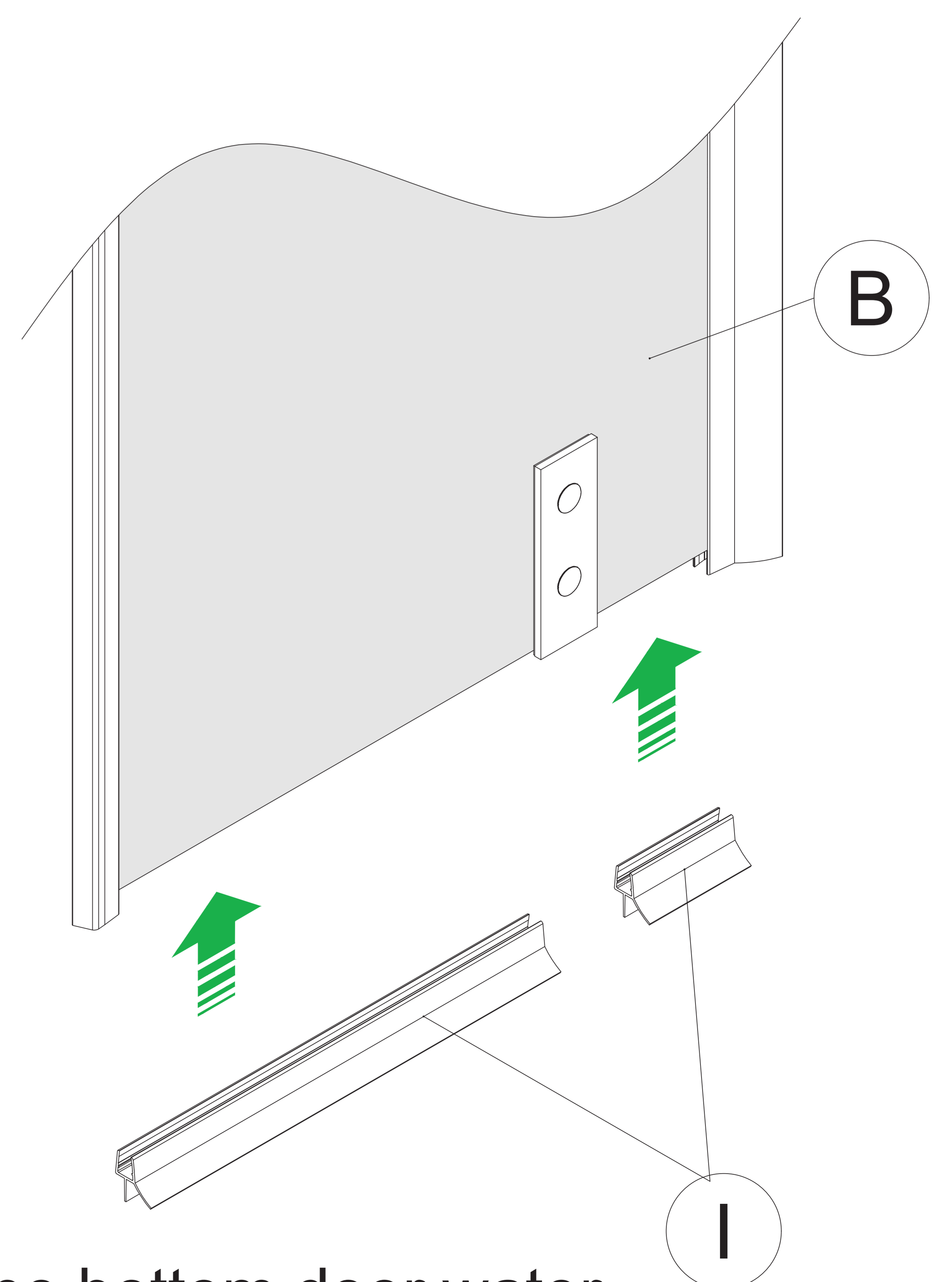
Install the handle.

9-3



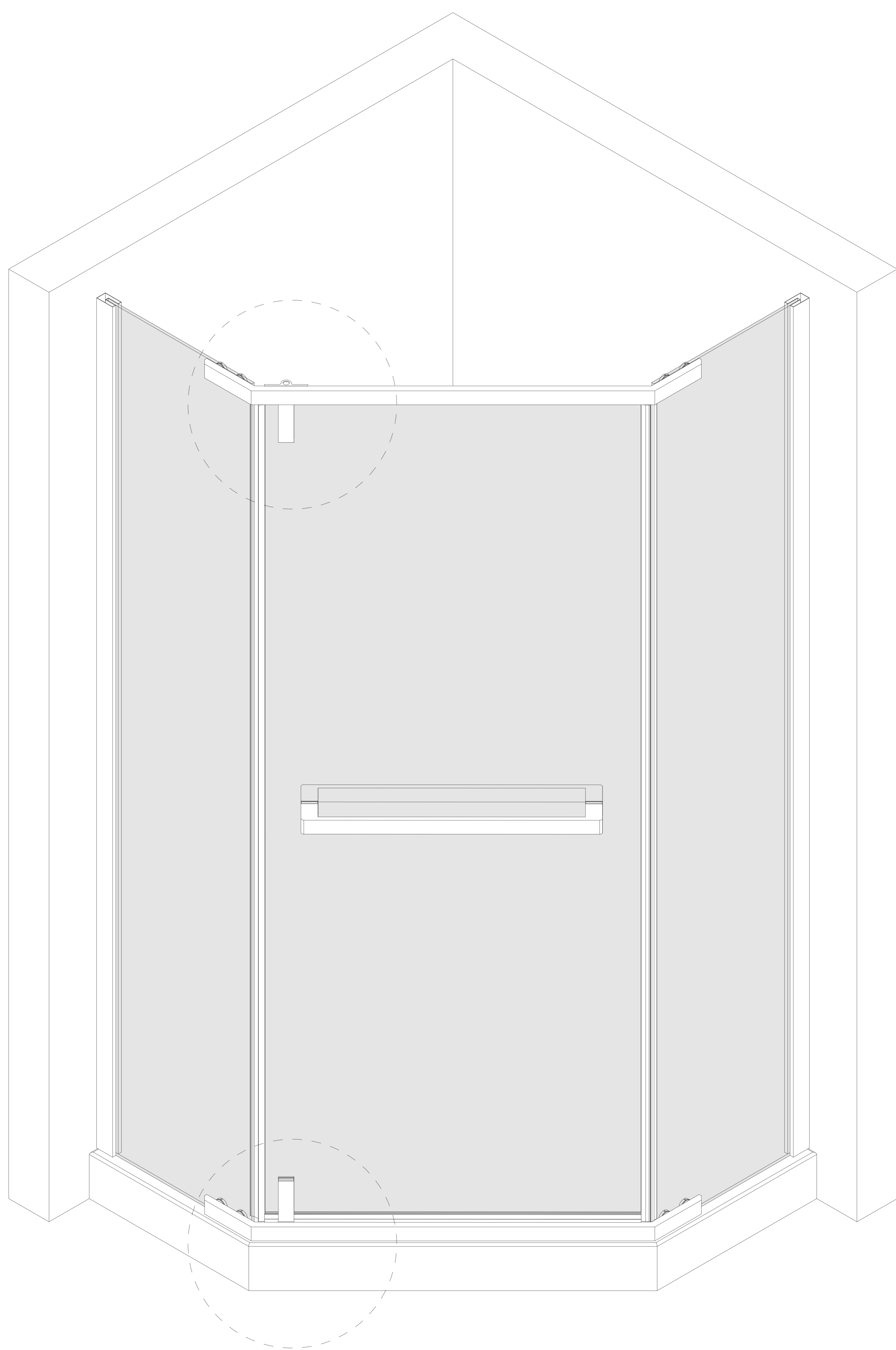
Cut the bottom door water stopper strip.

9-4



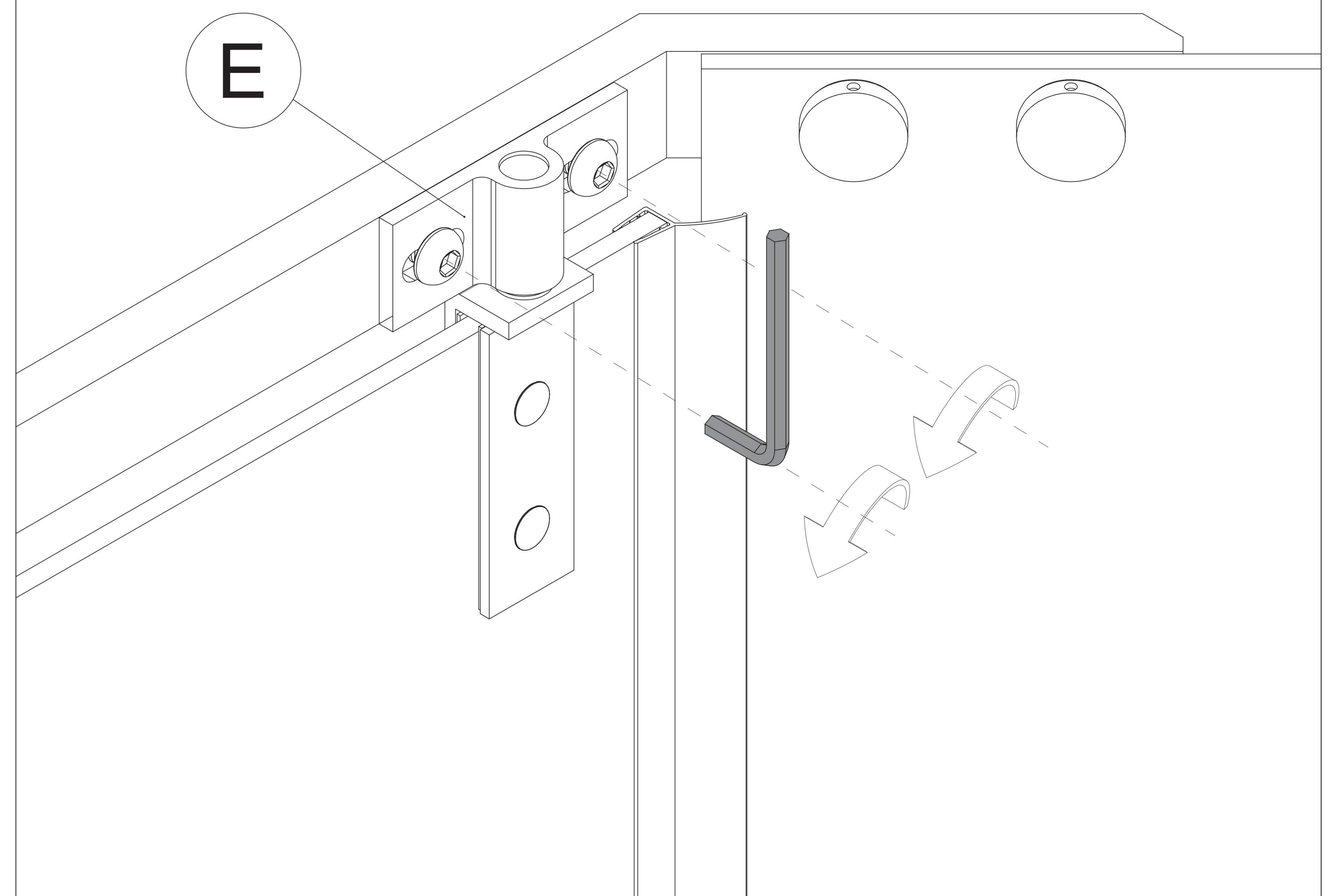
Install the bottom door water stopper strip.

**STEP 10**  
**Adjust the Movable Glass**



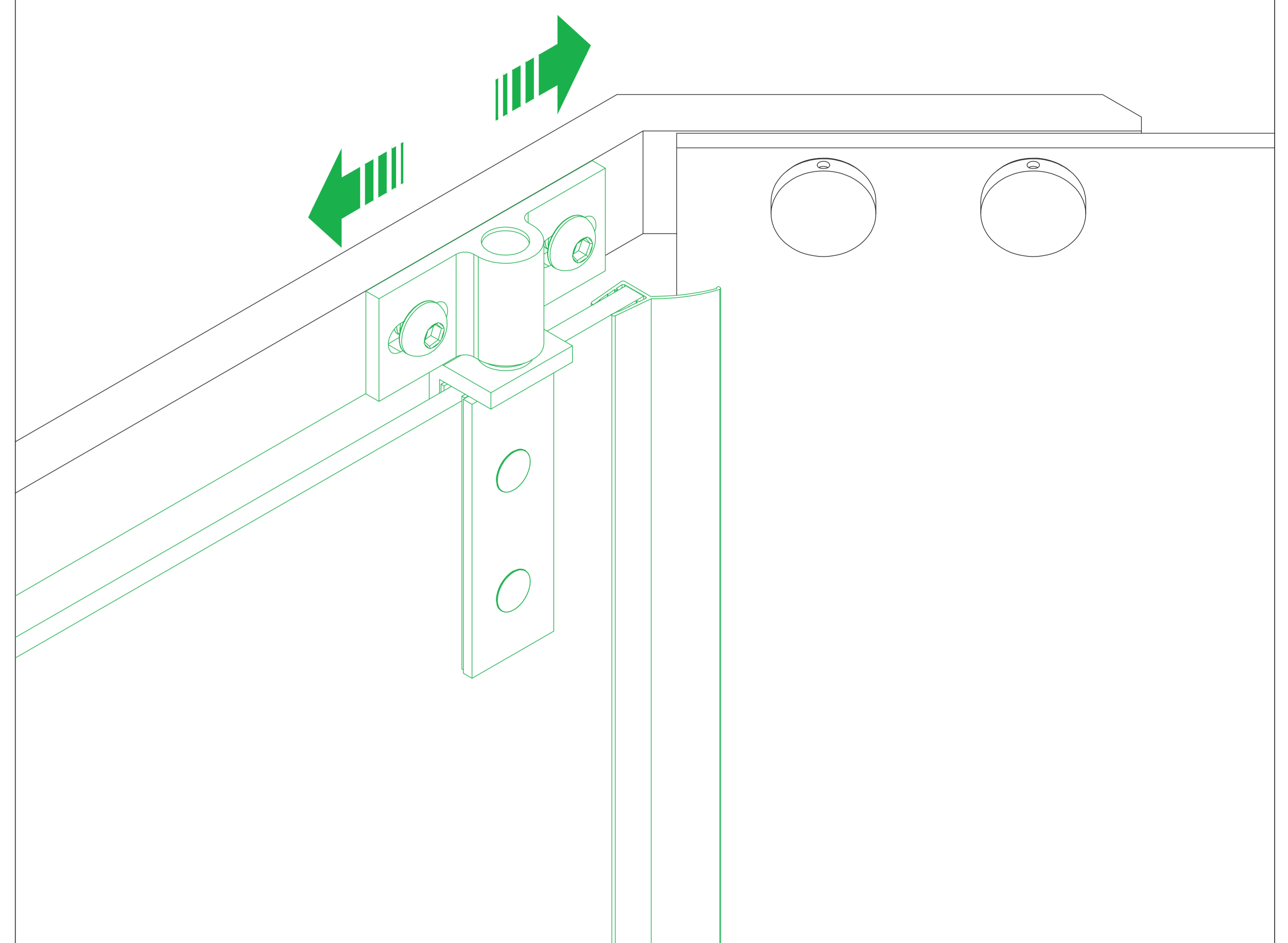
**10-1**

Loosen the hinge screws.



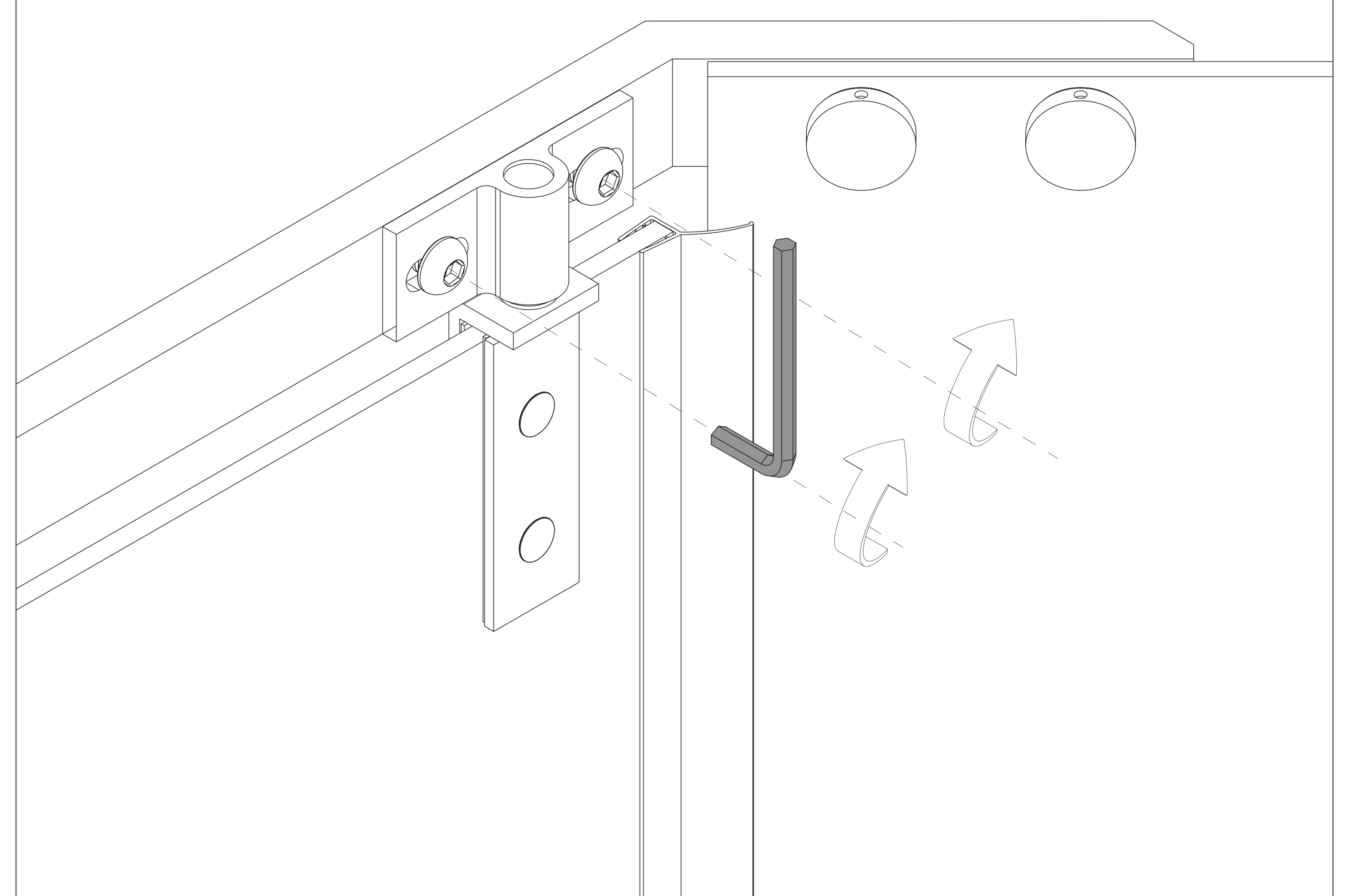
**10-2**

Adjust the movable glass to ensure smooth door opening.



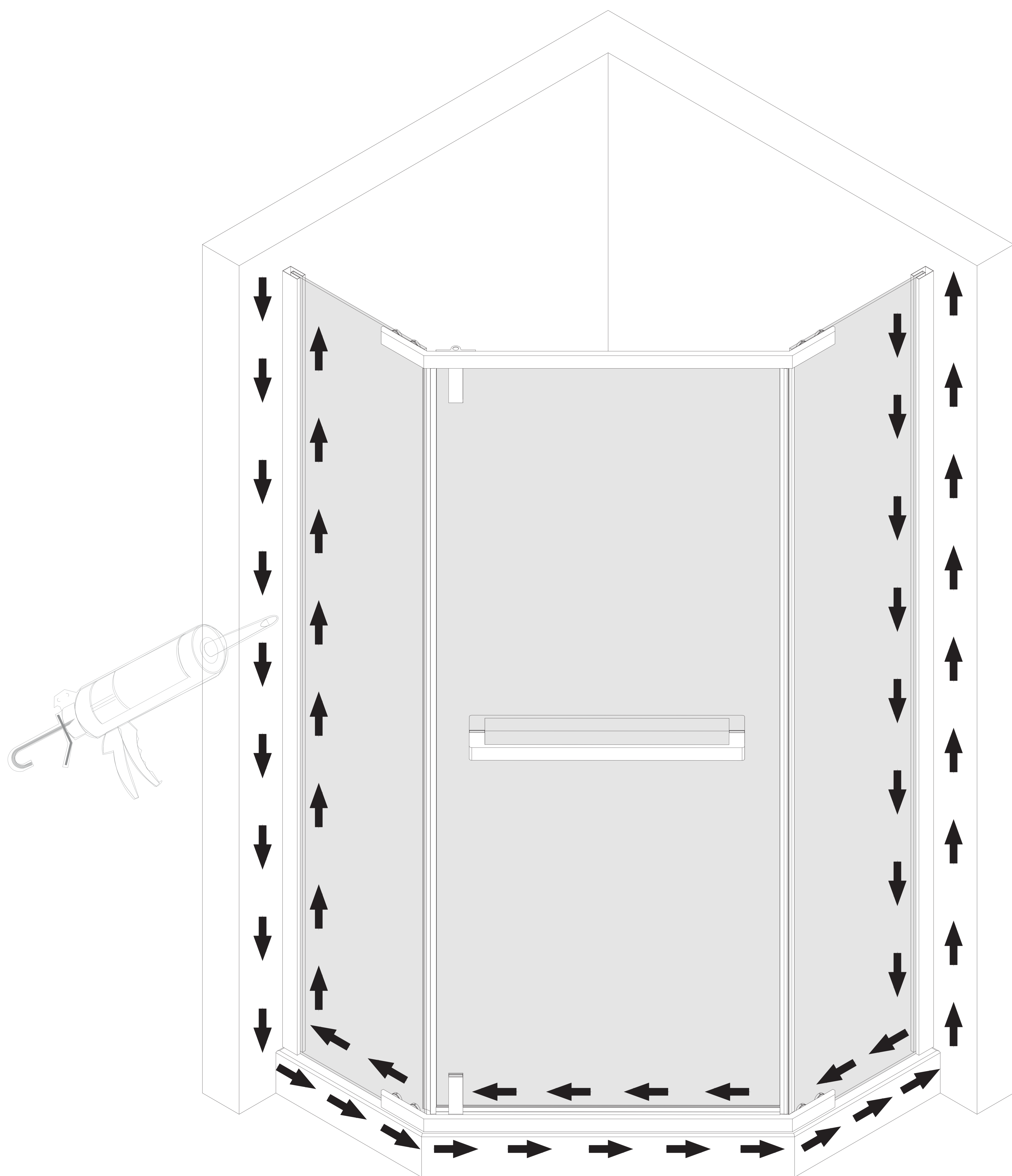
**10-3**

Tighten the hinge screws.



# STEP 11

## Sealing



### NOTE

The surfaces need to be clean and free of debris before applying silicone

### NOTE

Use silicone sealant to seal along the entire length of the Wall Jamb And Bottom Track.  
Make sure that the shower door is tightly closed and opens smoothly.



**24 HOURS**



Allow 24 hours for the silicone to cure before using the shower