

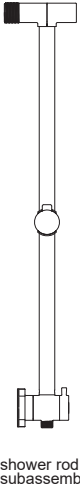



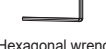


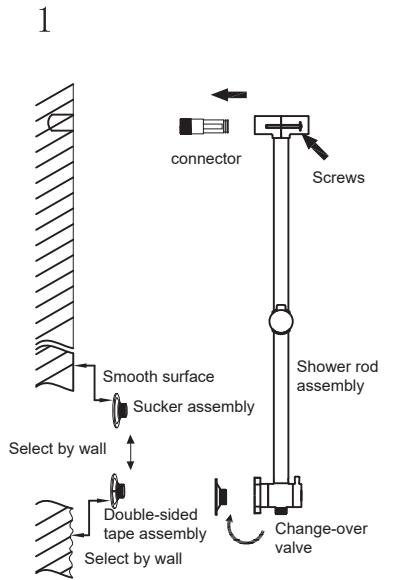


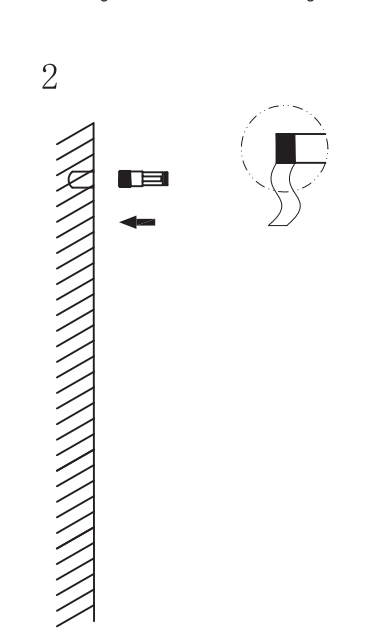
# Bill Of Materials

 Shower arm	 Hand shower	 shower rod subassembly
 Shower head	 Shower hose	
 Teflon Tape	 Hexagonal wrench	
 Double-sided tape assembly	 Set screw	

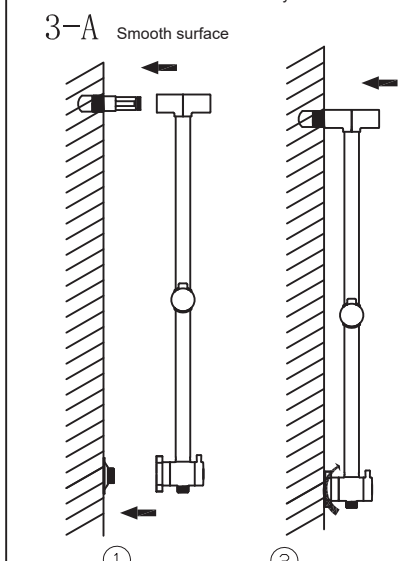
1. Use a screwdriver to separate the internal screw and connector as shown figure. Select the appropriate installation method based on the wall types. Diverter with suction cup for smooth wall surface installation and diverter with double sided adhesive tape for rough surface wall installation.



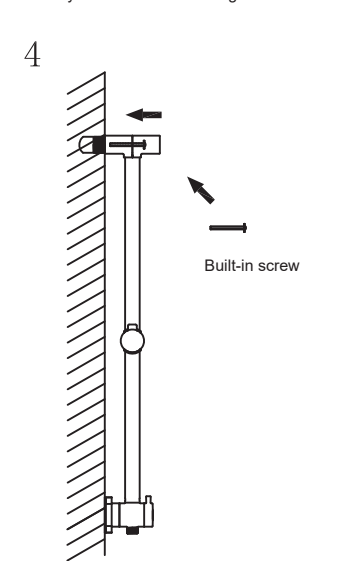
2. Apply Teflon tape clockwise around the threaded portion of the wall connector, and then tighten it into the wall using a wrench as shown in the figure.



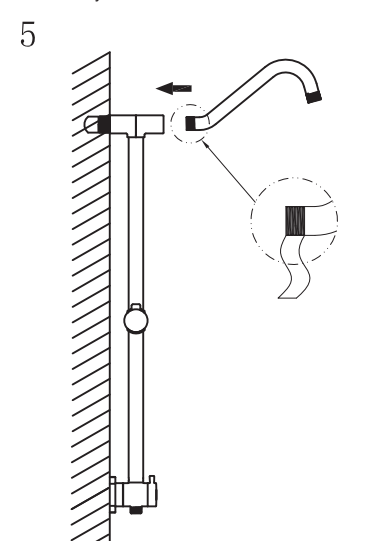
3. For smooth wall surface or rough Wall surface- Insert the shower rod subassembly into the connector. Mark the position of diverter with suction cup base against the wall. Rotate the suction cup out to adhere it to the marked position. Press the center to expel any trapped air, and then slide the shower rod subassembly into the bottom and rotate to connect securely.



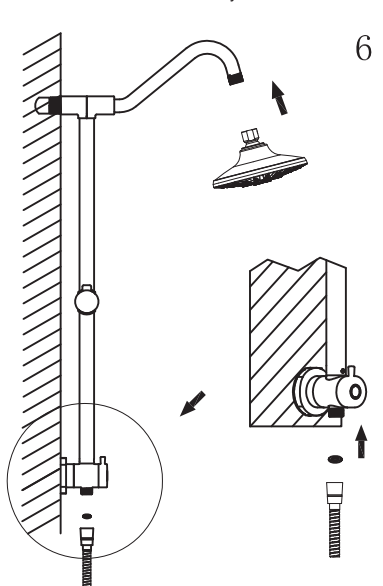
4. Tighten the internal screws of the shower rod assembly to the connector using a screwdriver.



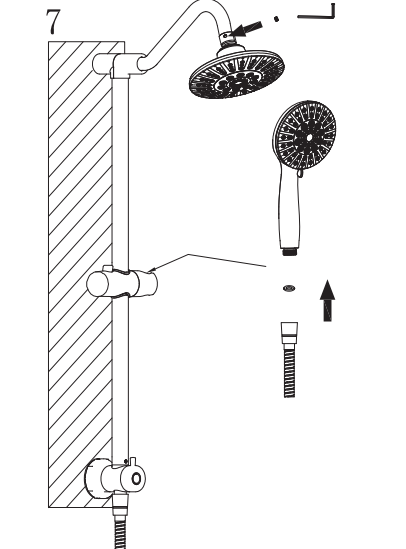
5. Wrap Teflon tape around the shower arm and rotate it to connector securely with the shower rod subassembly.



6. Ensure shower hose conical nut end with washer to connect with diverter then connect shower head with shower arm then tighten shower head and shower arm with a set screw by wrench.



7. The hose horn end is connected with the gasket and the shower head, and then placed in the position as shown in the figure. There is a round hole at the joint of the shower head. Use a hex wrench to screw the setting screw into the round hole and tighten it with force.



8. Installation completed.

