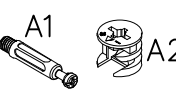
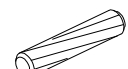

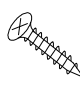



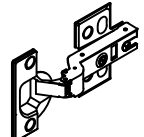
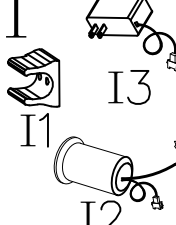
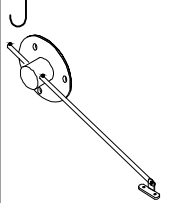
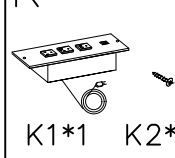
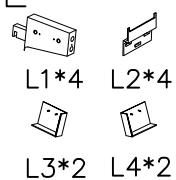
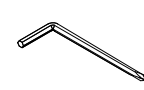

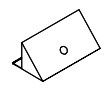

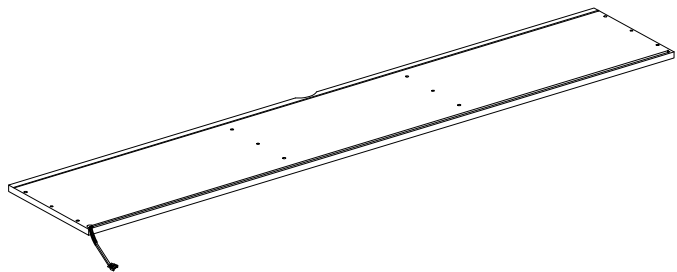


<p>A</p>  <p>A1 A2</p> <p>22pcs</p>	<p>B</p>  <p><math>\phi 8 \times 30 \text{mm}</math></p> <p>10pcs</p>	<p>C</p>  <p><math>\phi 3 \times 12 \text{mm}</math></p> <p>2pcs</p>	<p>D</p>  <p><math>\phi 3.5 \times 14 \text{mm}</math></p> <p>63pcs</p>	<p>E</p>  <p><math>\phi 3.5 \times 30 \text{mm}</math></p> <p>8pcs</p>	<p>F</p>  <p><math>\phi 3.5 \times 40 \text{mm}</math></p> <p>8pcs</p>	<p>G</p>  <p><math>8 \times 40 \text{mm}</math></p> <p>8pcs</p>	<p>H</p>  <p>6pcs</p>
<p>I</p>  <p>I1 I2 I3</p> <p>1pc</p>	<p>J</p>  <p>3pcs</p>	<p>K</p>  <p>K1*1 K2*2</p> <p>1pc</p>	<p>L</p>  <p>L1*4 L2*4 L3*2 L4*2</p> <p>1pc</p>	<p>M</p>  <p>1pc</p>	<p>N</p>  <p>22pcs</p>	<p>O</p>  <p>12pcs</p>	<p>P</p>  <p><math>\phi 8 \times 50 \text{mm}</math></p> <p>2pcs</p>

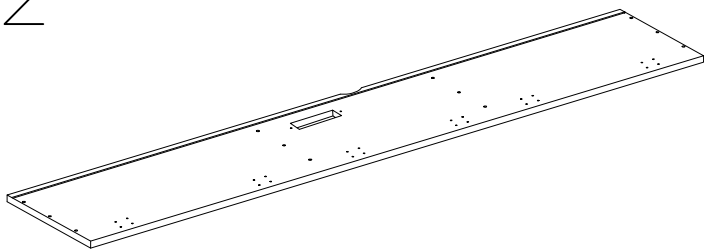
1



1650\*310\*15mm

1pc

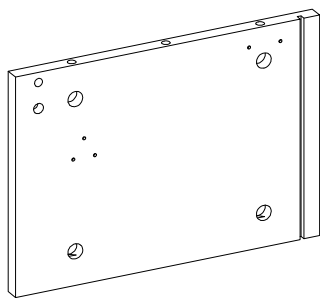
2



1650\*310\*15mm

1pc

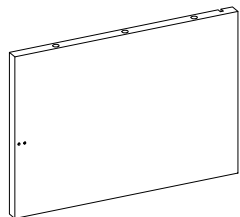
3



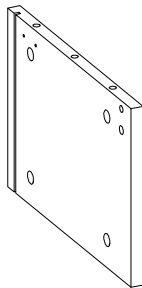
220\*309\*15mm

1pc

4



one side

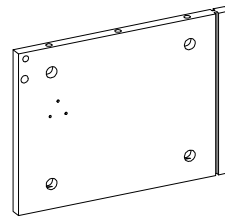


the other side

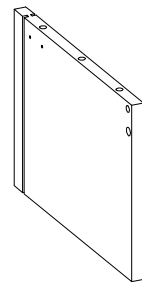
220\*309\*15mm

1pc

5



one side

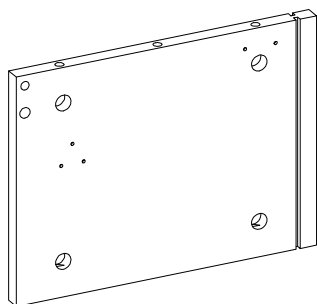


the other side

220\*293\*15mm

1pc

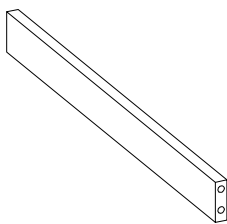
6



220\*293\*15mm

1pc

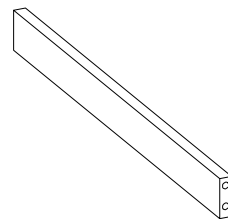
7



531.5\*50\*15mm

1pc

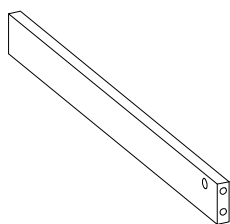
8



525\*50\*15mm

1pc

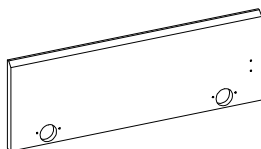
9



531.5\*50\*15mm

1pc

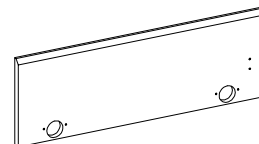
10



536\*185\*15mm

1pc

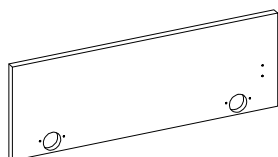
11



536\*185\*15mm

1pc

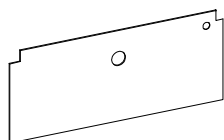
12



536\*185\*15mm

1pc

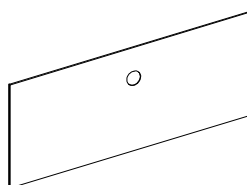
13



230\*540\*3mm

1pc

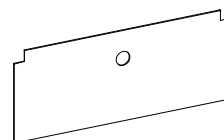
14



230\*533\*3mm

1pc

15



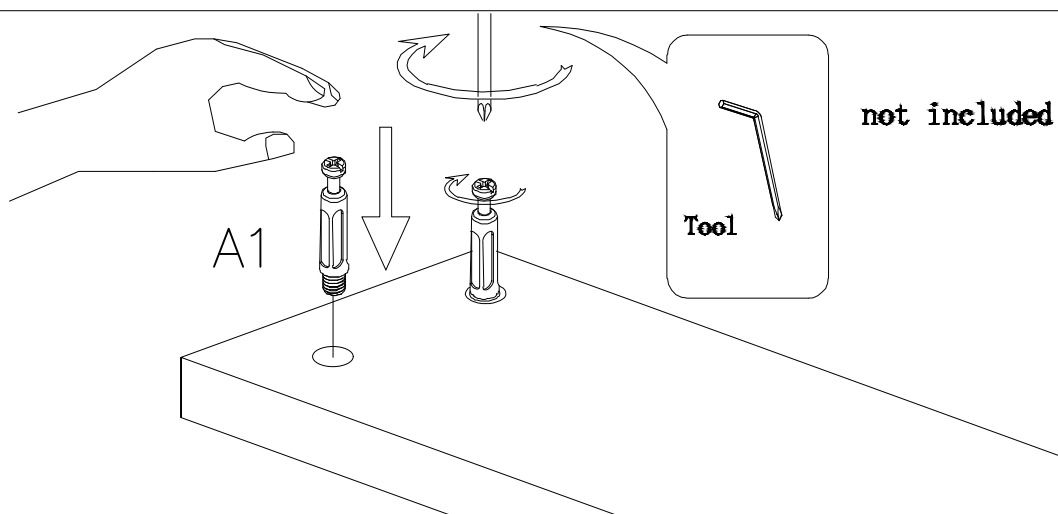
230\*540\*3mm

1pc

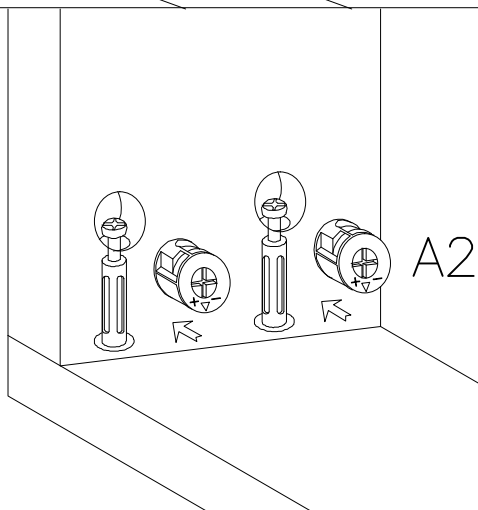
# Hardware installation demonstration

NOTE: Please make sure  
"A1" hardware tightened  
and can't be pulled out!

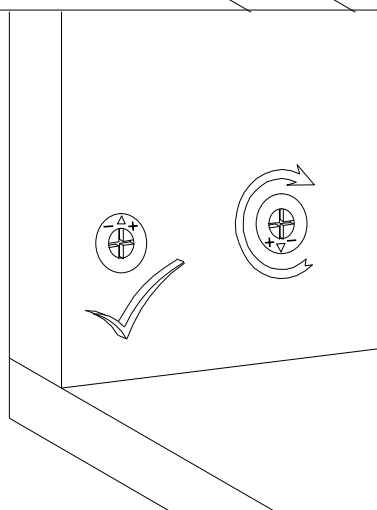
I



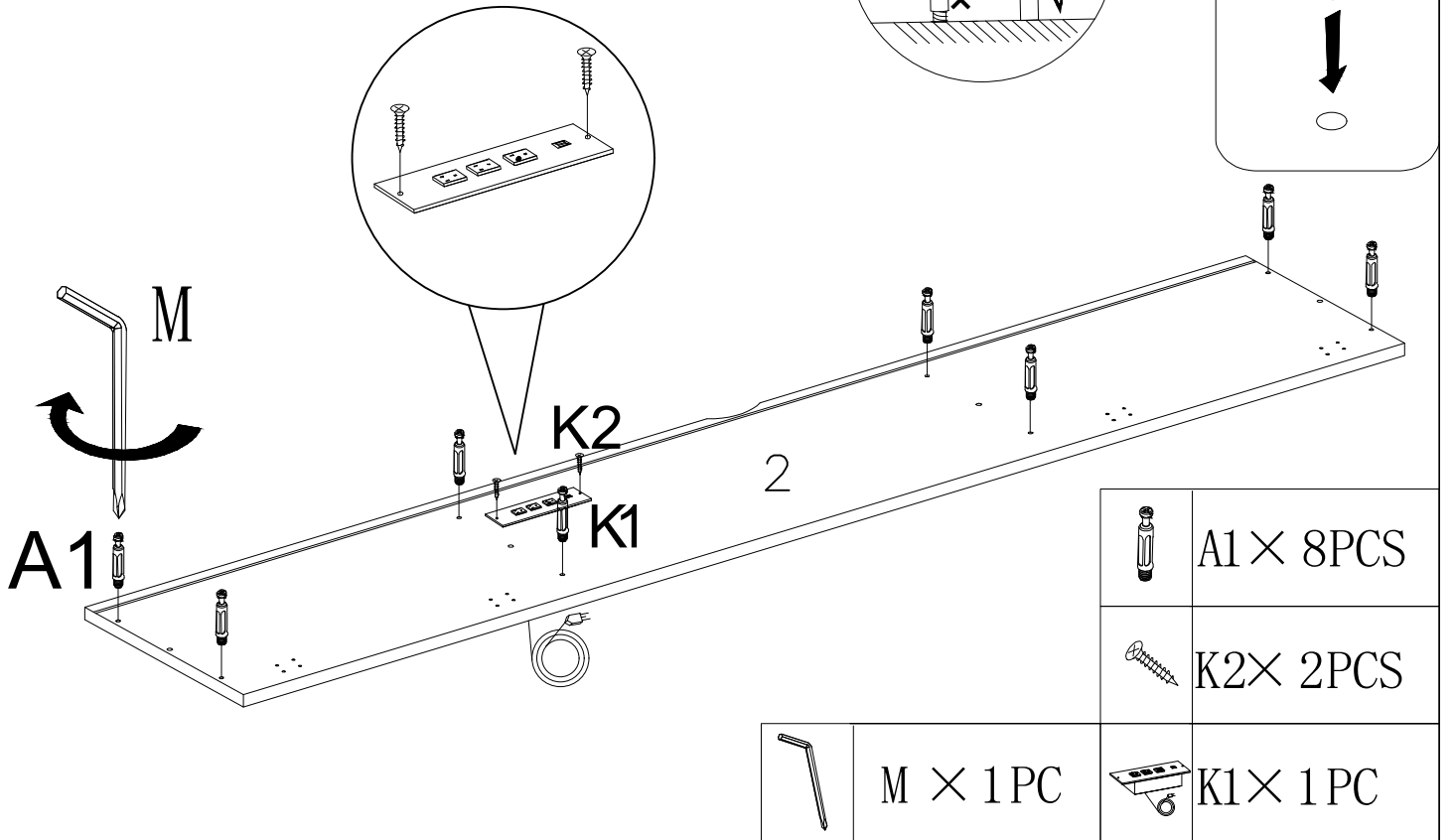
II



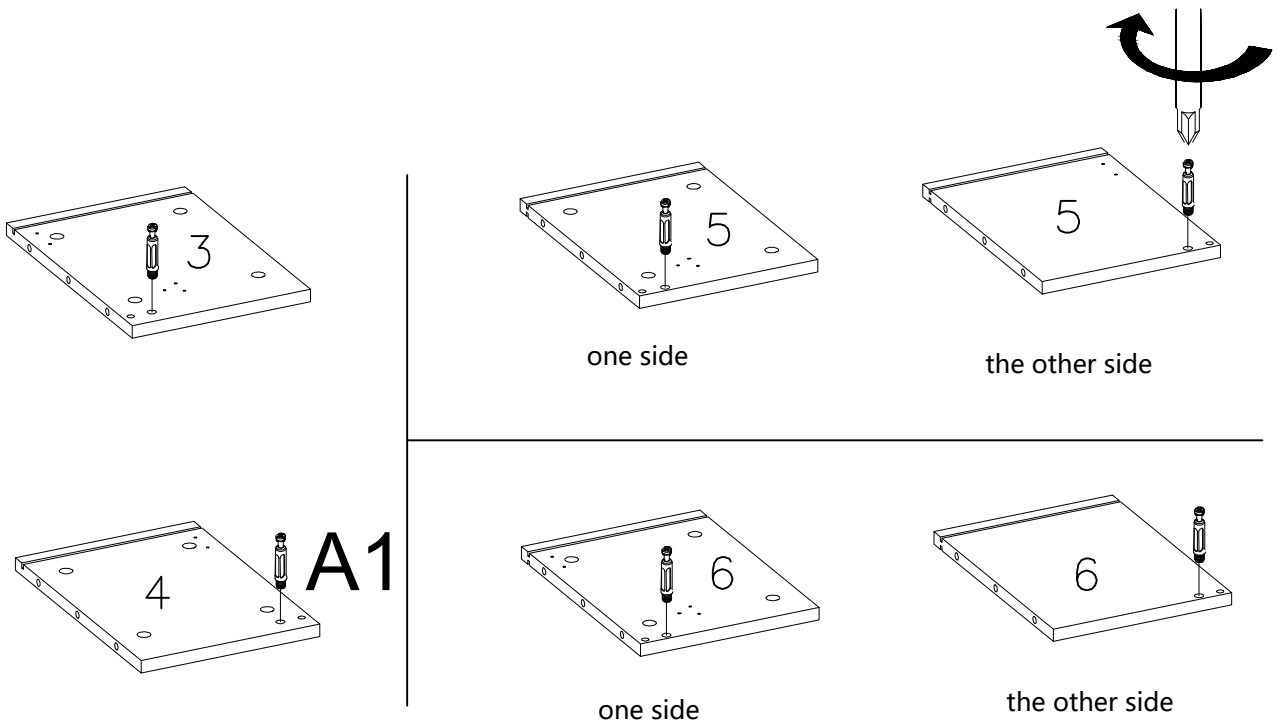
III



# STEP 1

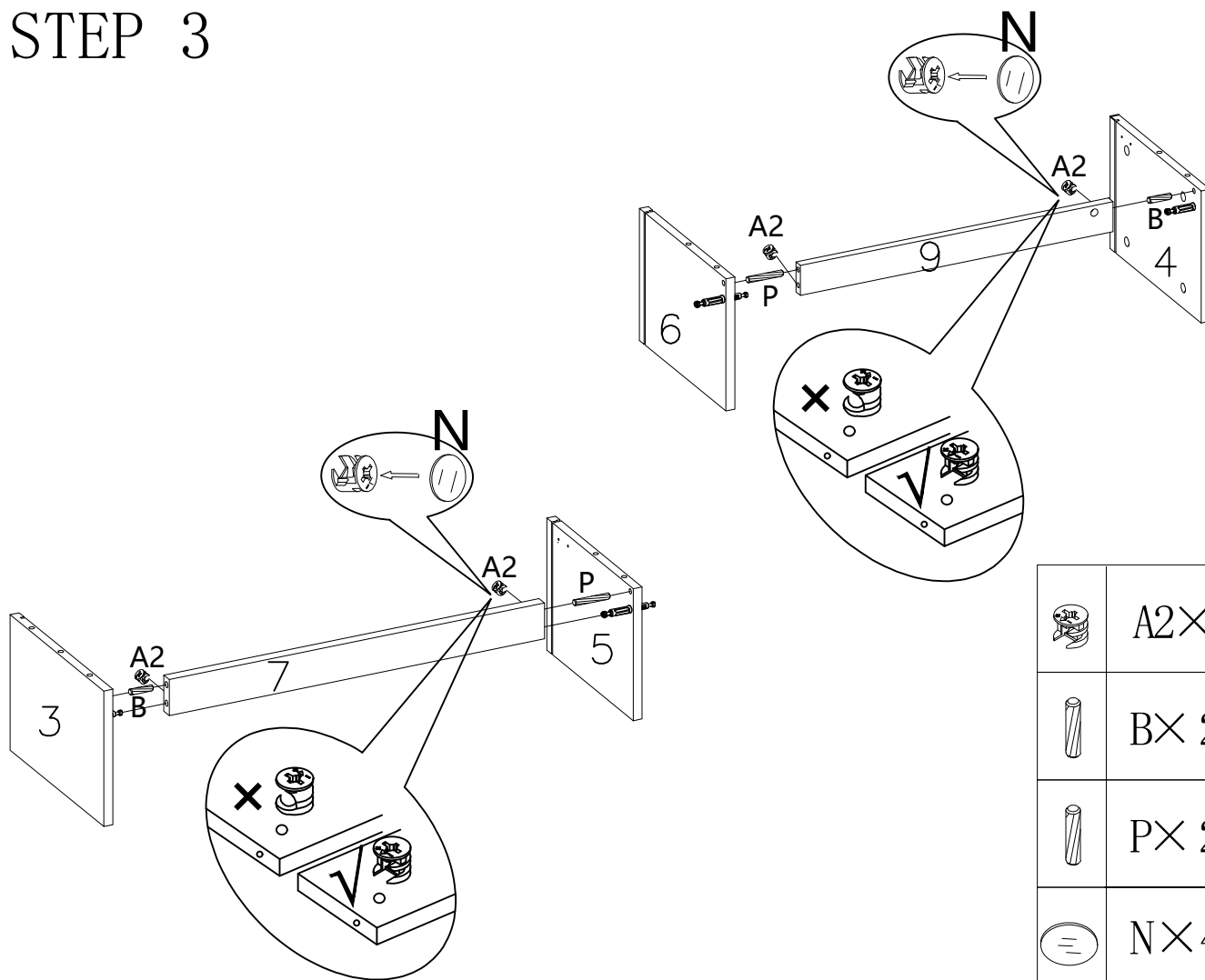


# STEP 2



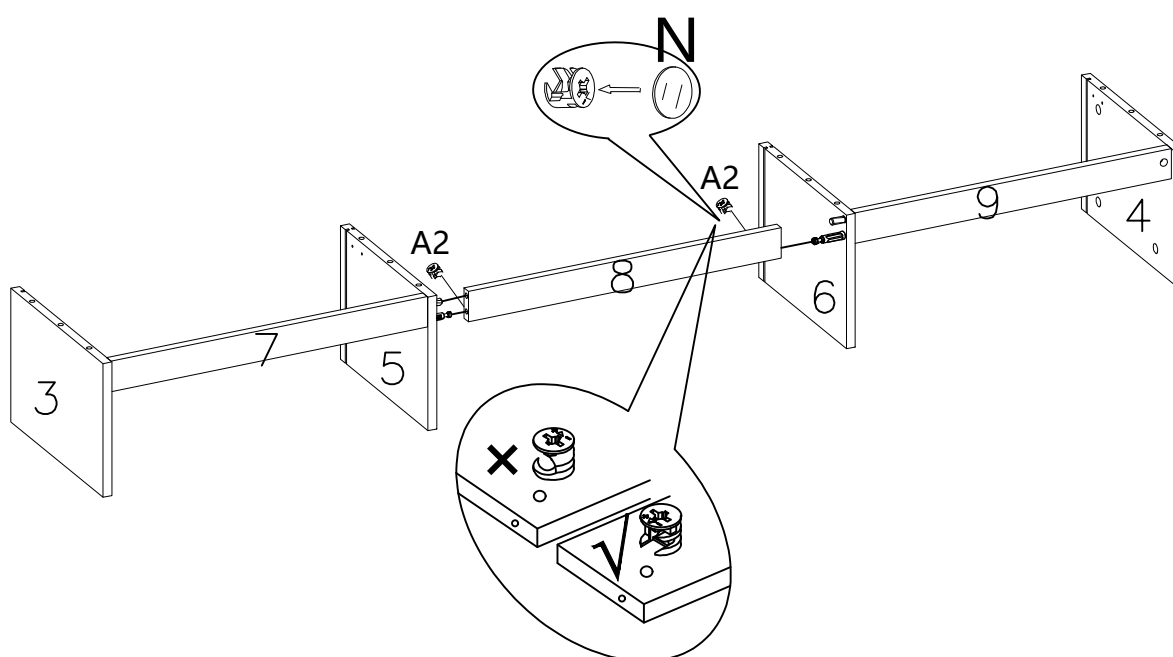
	A1 × 6PCS
--	-----------

# STEP 3



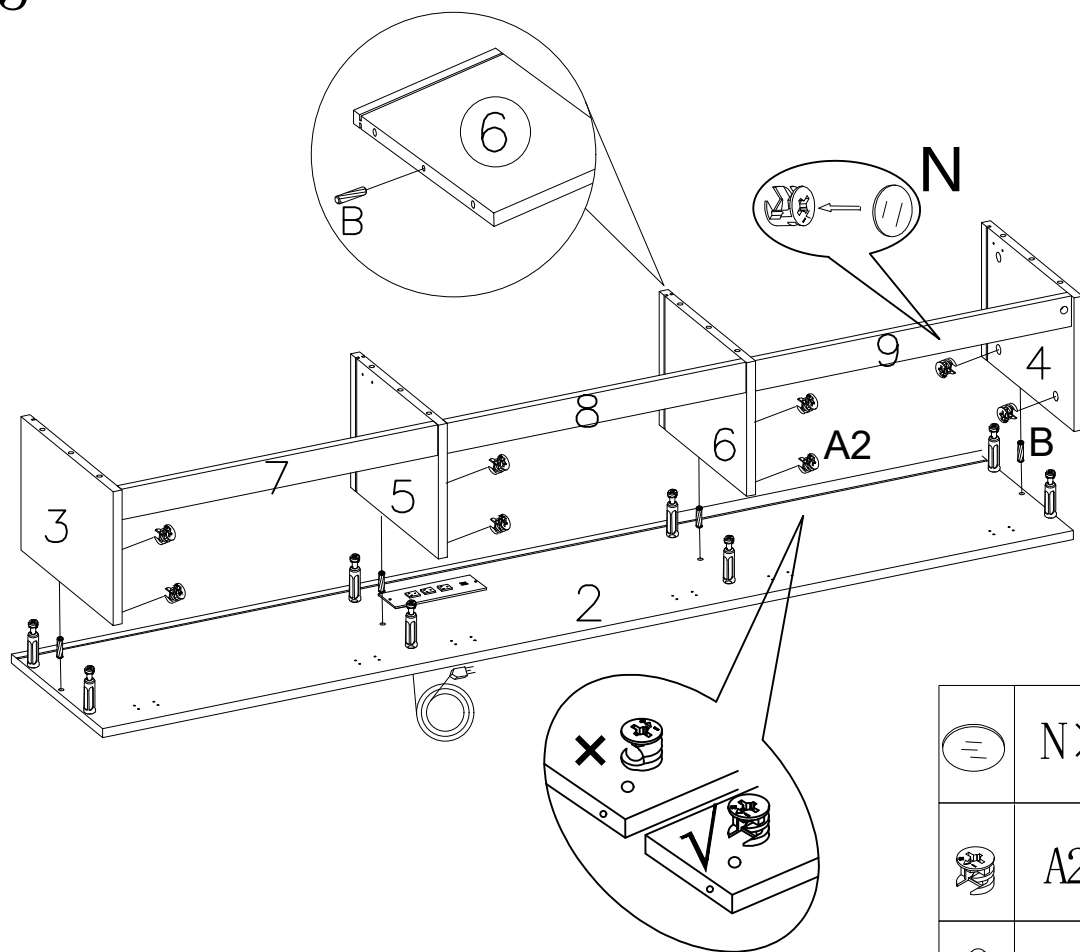
	A2× 4PCS
	B× 2PCS
	P× 2PCS
	N× 4PCS



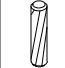
# STEP 4



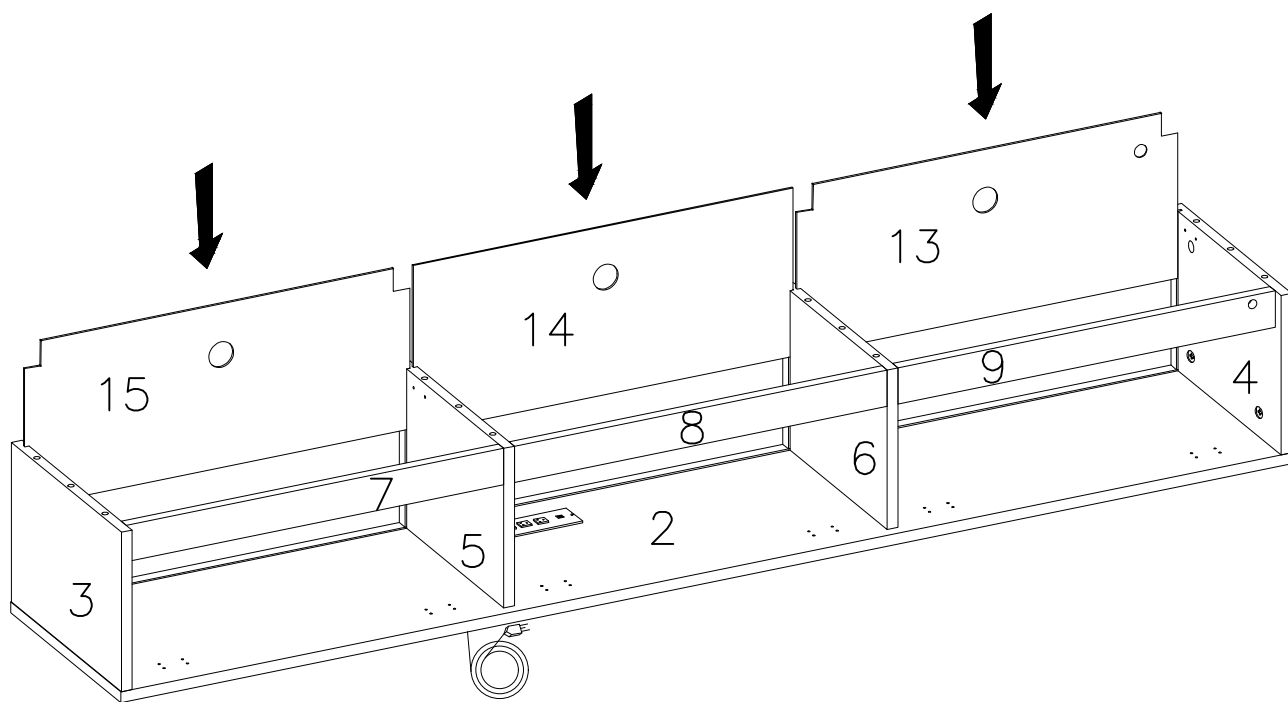
	A2× 2PCS
	N× 2PCS

# STEP 5

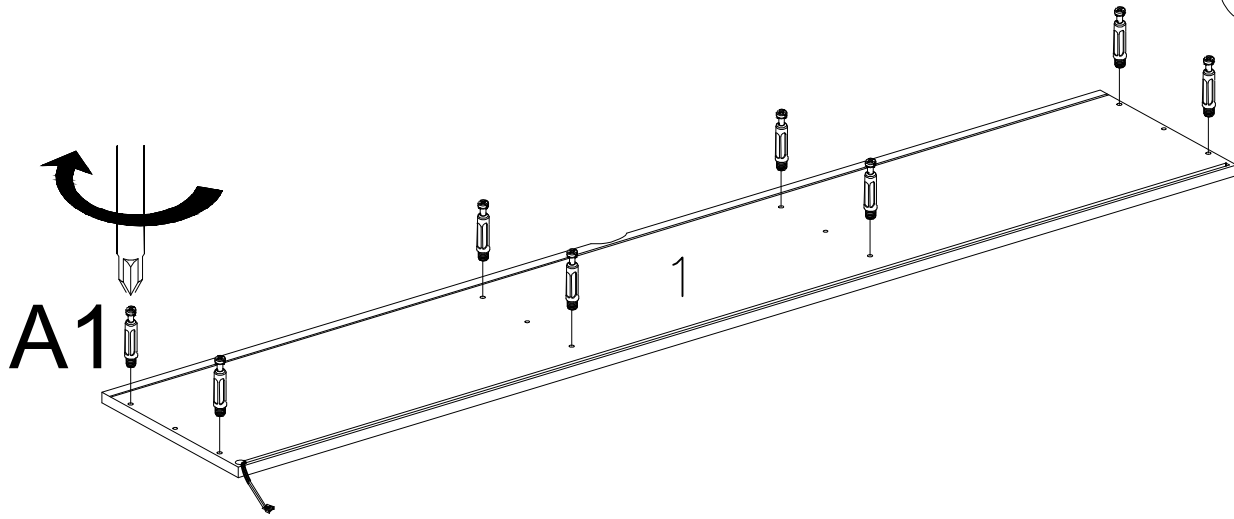
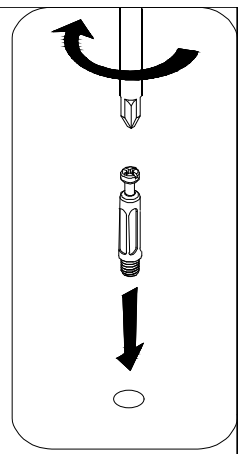
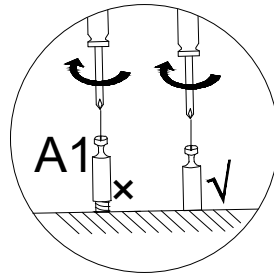



	N × 8PCS
	A2 × 8PCS
	B × 4PCS

# STEP 6

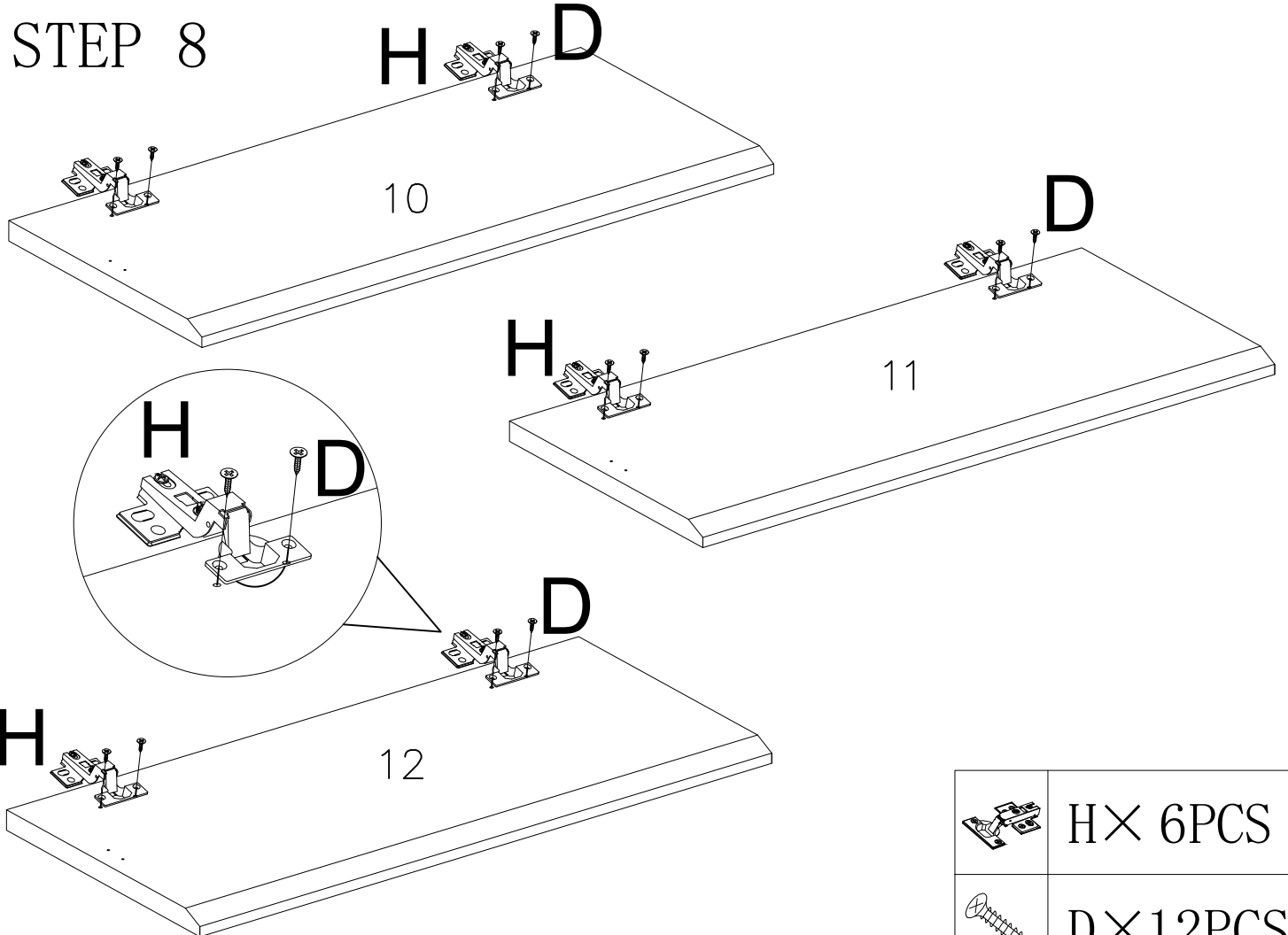




# STEP 7



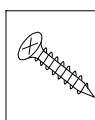
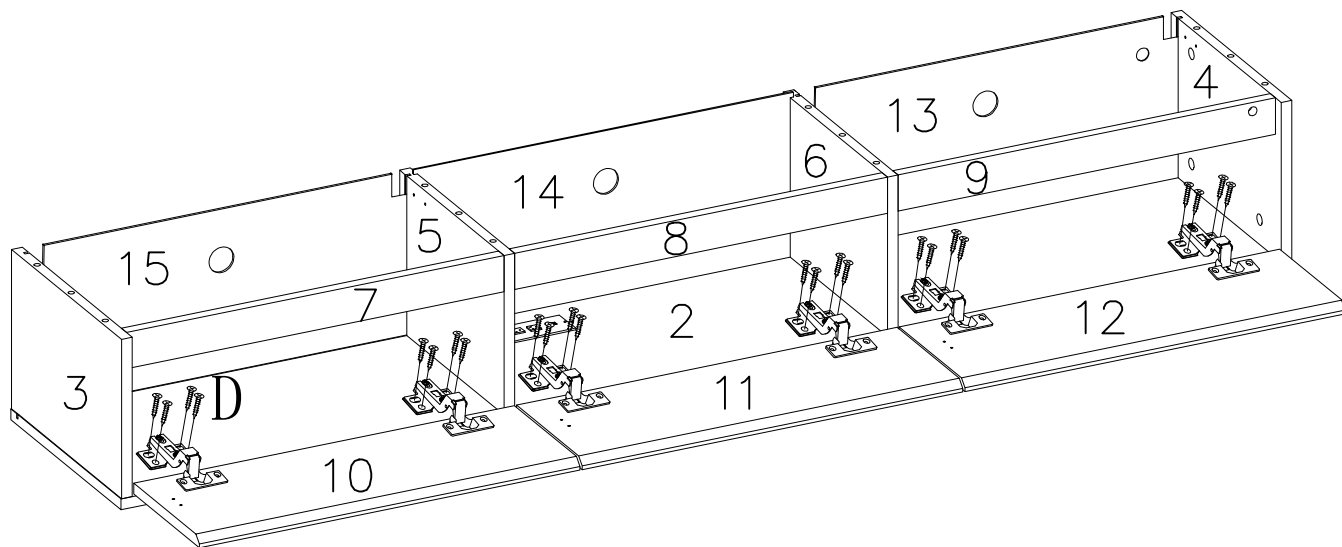
	A1 × 8PCS
---	-----------

# STEP 8



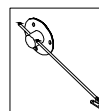
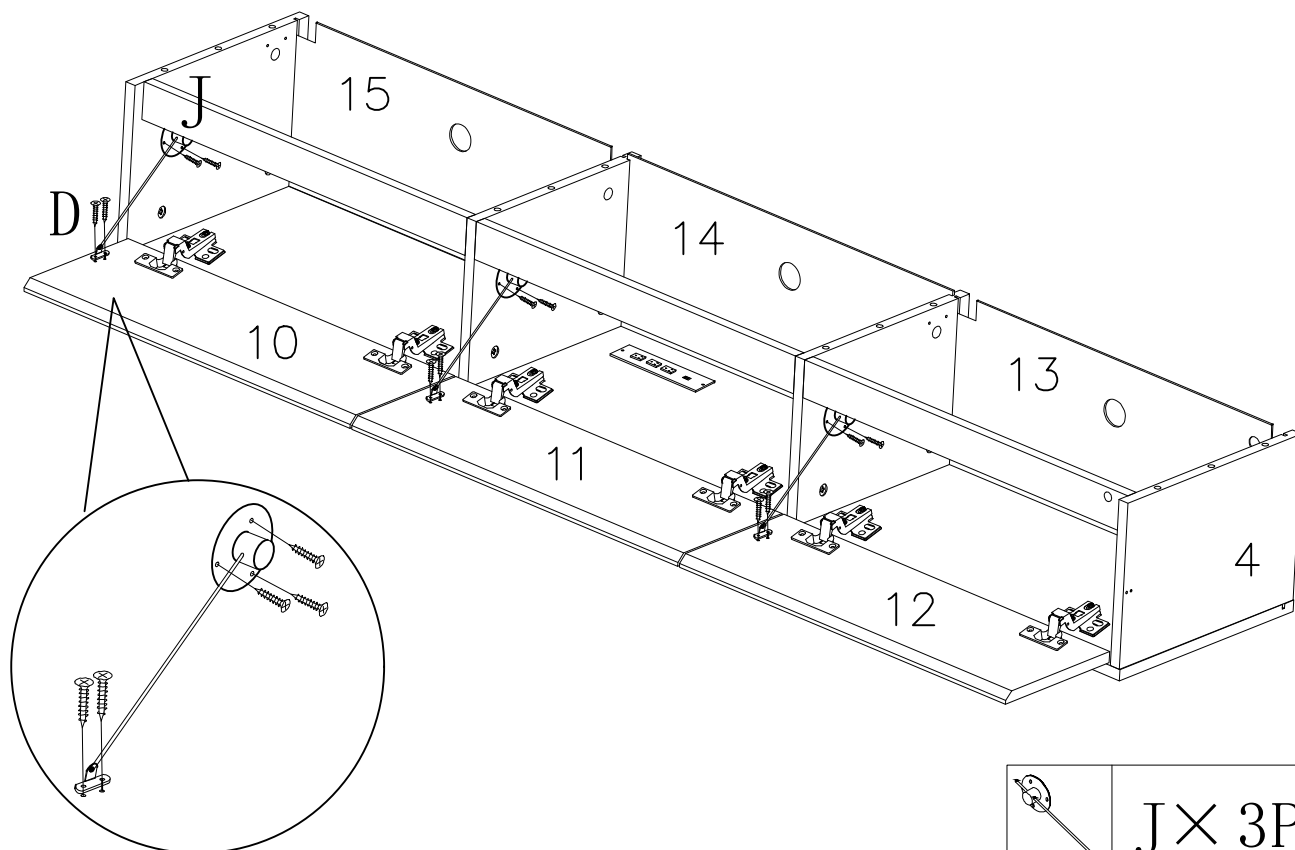
	H × 6PCS
	D × 12PCS

# STEP 9



D × 24PCS

# STEP 10

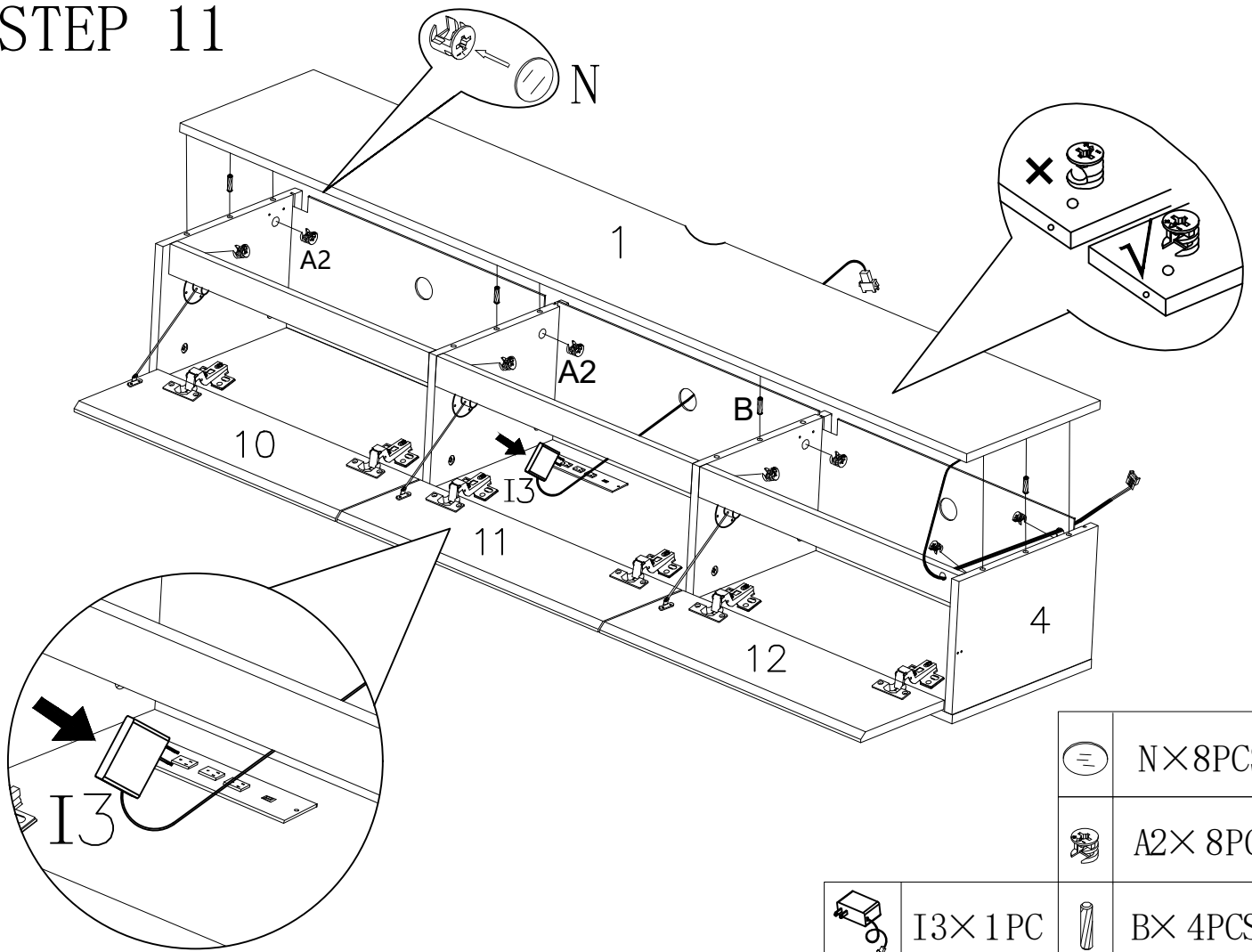


J × 3PCS

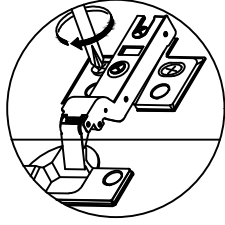
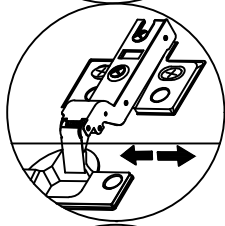
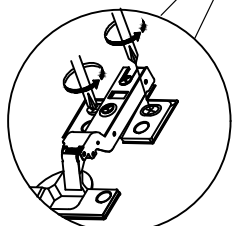
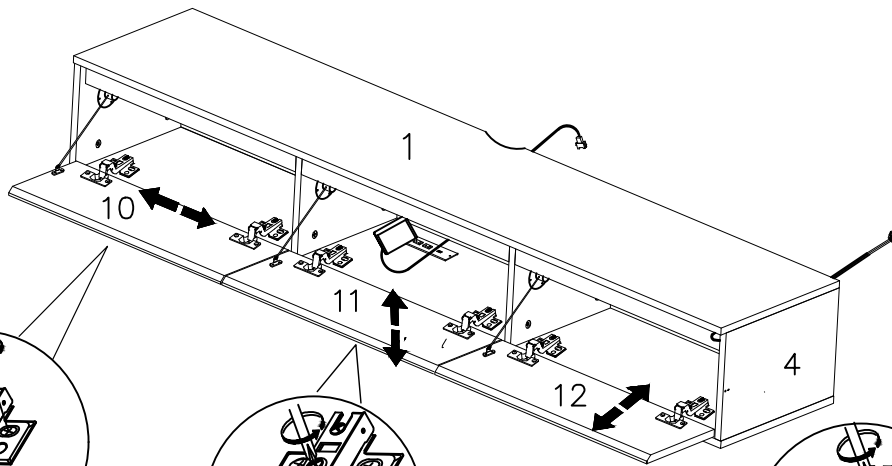


D × 15PCS

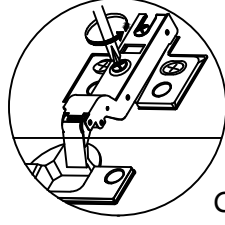
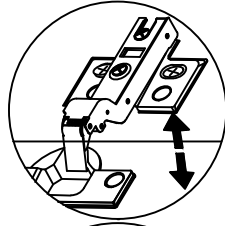
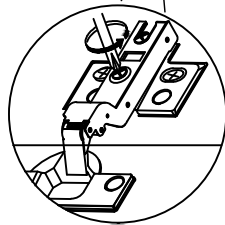
# STEP 11



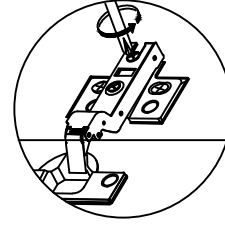
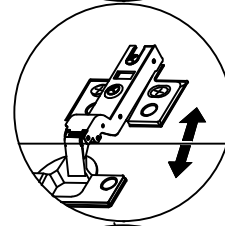
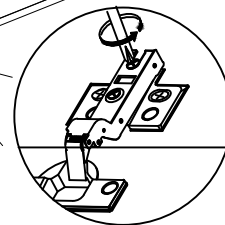
# STEP 12



Cabinet door left and right fine adjustment

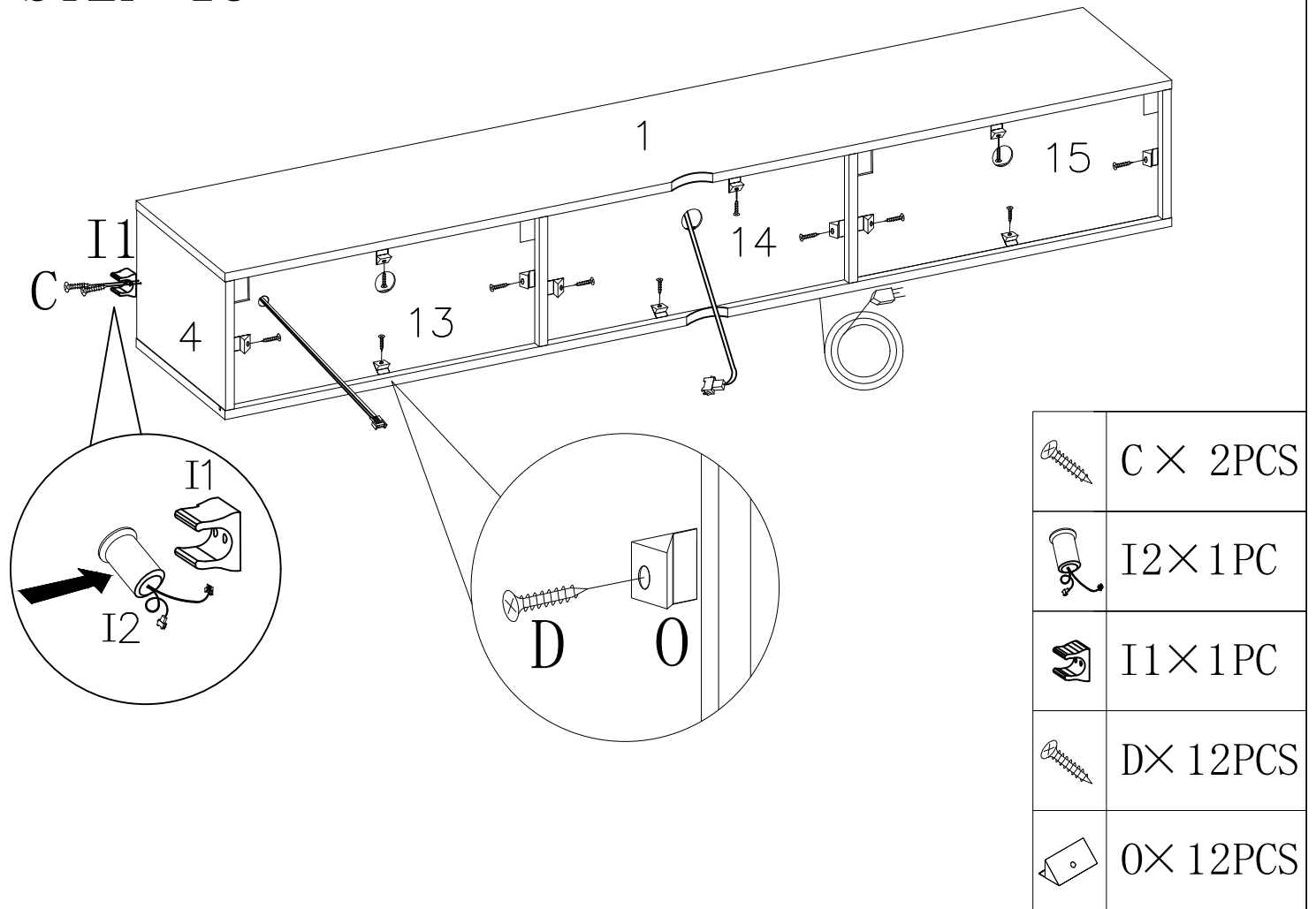


Cabinet door up and down fine adjustment

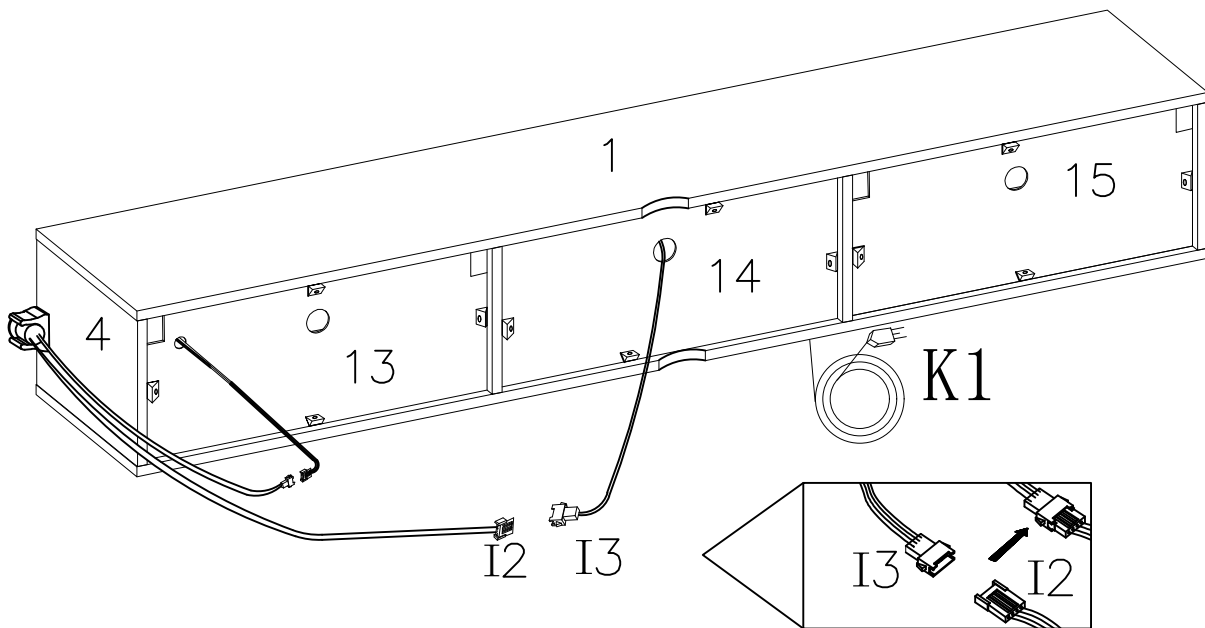


Fine-tune the gap after the cabinet door is closed

# STEP 13



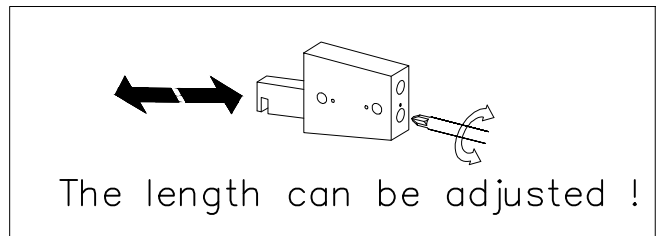
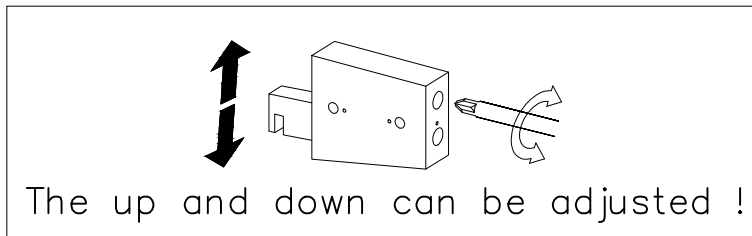
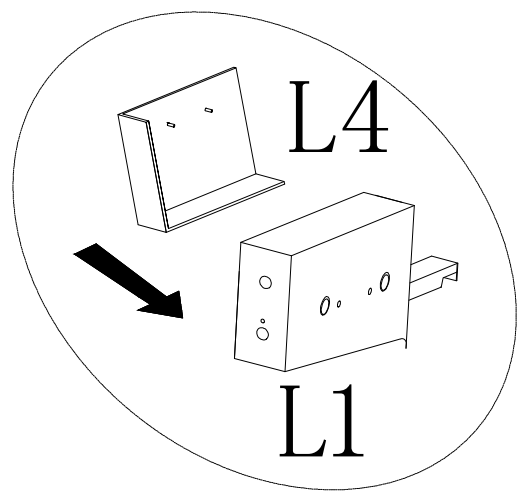
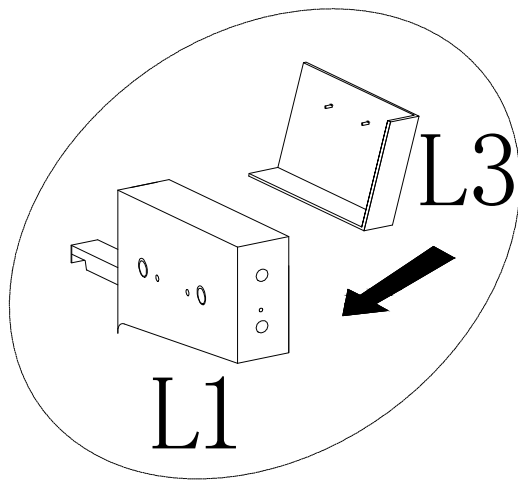
# STEP 14



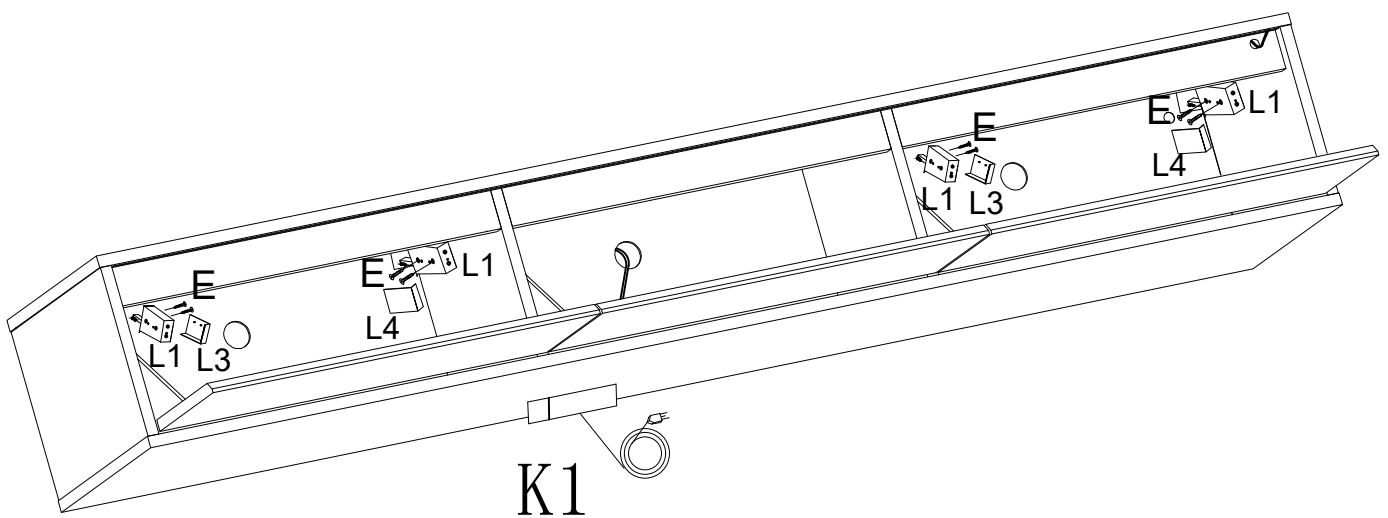
I2 and I3 are connected;  
Light Strip and I2 connected



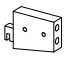

**lug the K1 into the power supply !**

# STEP 15



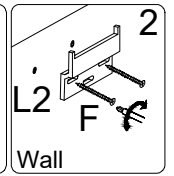
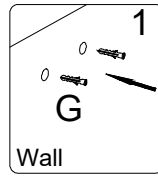
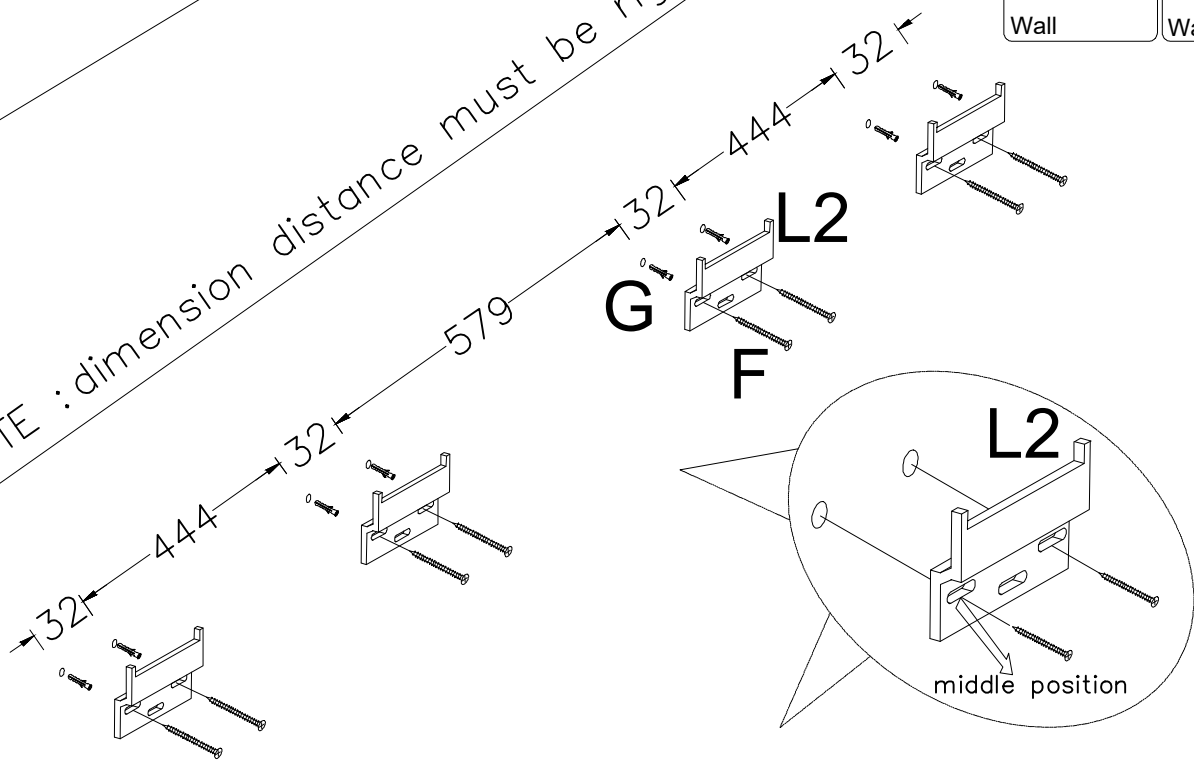
# STEP 16



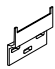


	E × 8PCS		L3 × 2PCS
	L1 × 4PCS		L4 × 2PCS

# STEP 17

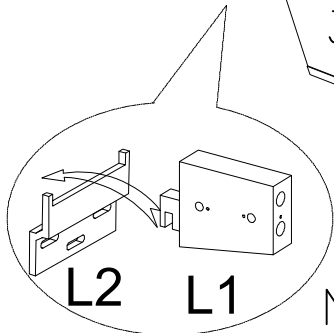
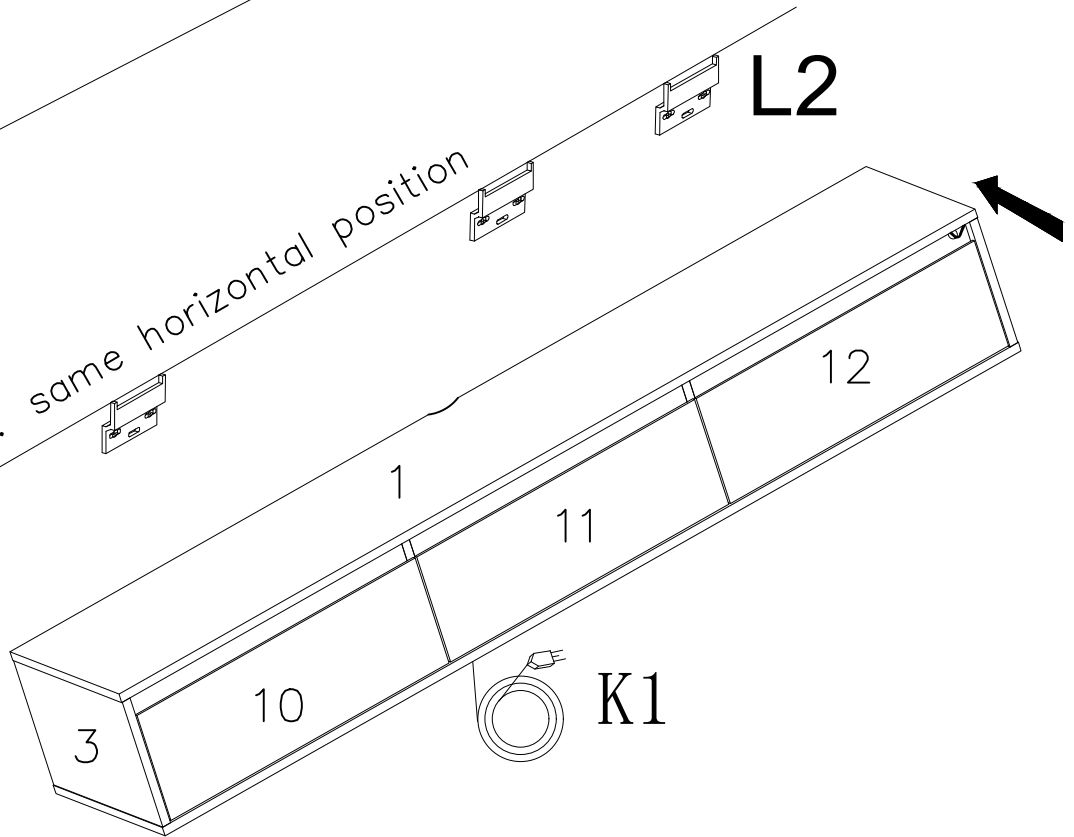
NOTE : dimension distance must be right !



	<b>F × 8PCS</b>		<b>G × 8PCS</b>		<b>L2 × 4PCS</b>
---	-----------------	---	-----------------	---	------------------

# STEP 18

NOTE : same horizontal position



NOTE : install the cabinet on the L2 !