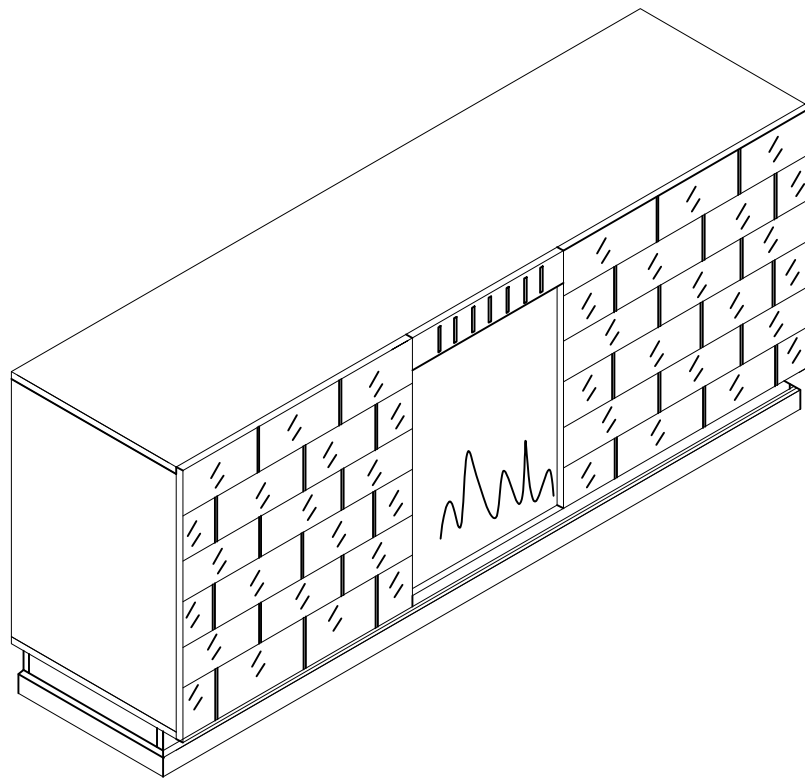


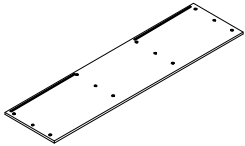
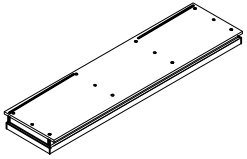
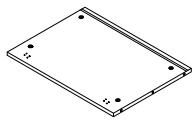
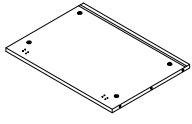
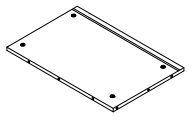
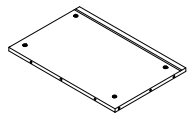
ASSEMBLY INSTRUCTIONS

1. Before installation, please read the Assembly Instruction carefully.
2. Please check whether the Parts and Hardware are consistent with the list.
3. It is normal for the sealed environment to smell, not a product quality problem.

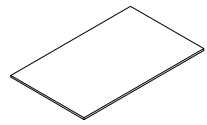
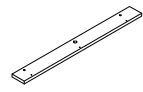
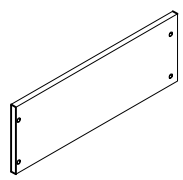
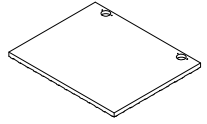
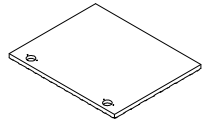


ASSEMBLY INSTRUCTIONS

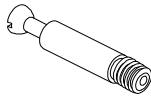

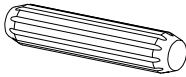
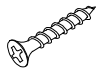

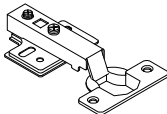
Part List:

ITEM	DESCRIPTION	PART	QTY
1	Top panel		1
2	Bottom panel		1
3	Left side panel		1
4	Right side panel		1
5	Left Partition Panel		1
6	Right Partition Panel		1

Part List:

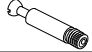
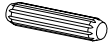
ITEM	DESCRIPTION	PART	QTY
7	Back panel		2
8	Baffle		2
9	Thick back plate		1
10	Left Door		1
11	Right Door		1

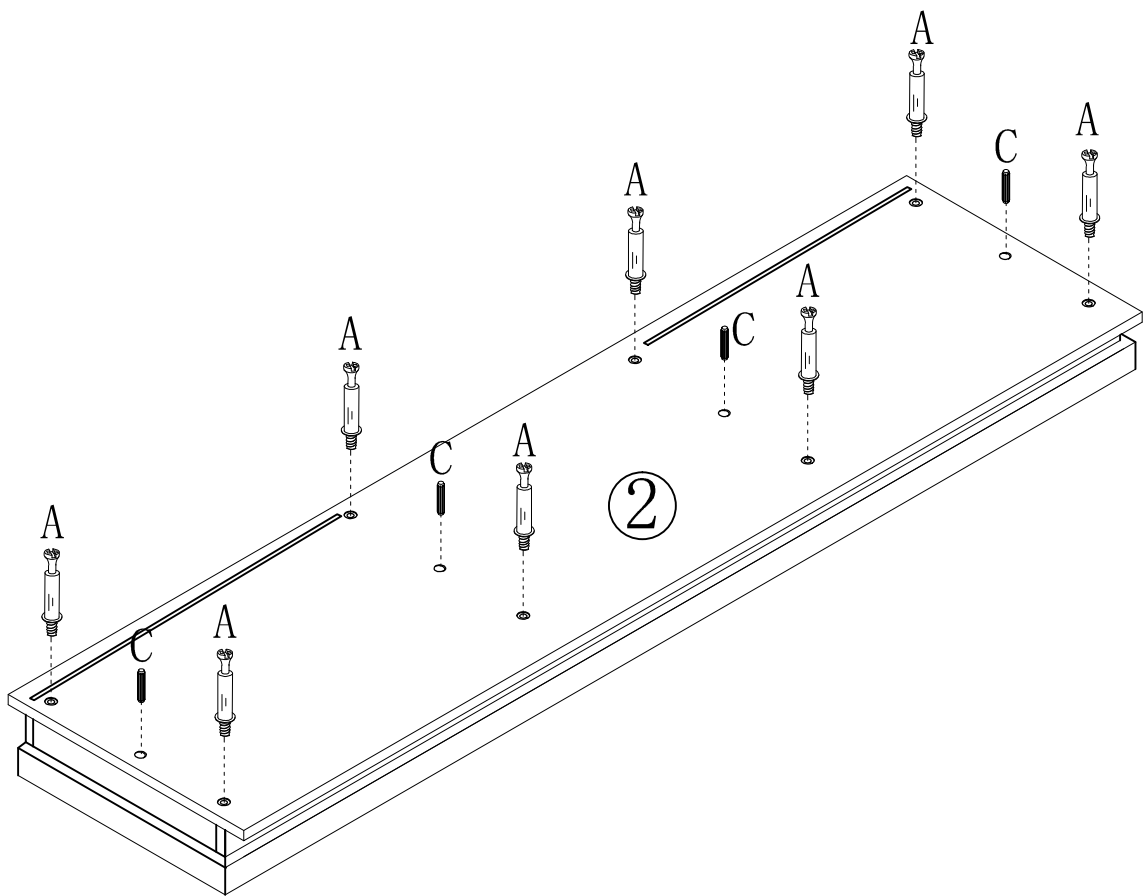
Hardware List:

ITEM	DESCRIPTION	PART	QTY
A	Cam Bolt		20
B	Cam Lock		20
C	Wooden dowel	 $\Phi 8 * 30 \text{mm}$	10
D	Flat Head screw	 $\Phi 4 * 14 \text{mm}$	30
E	Flat Head screw	 $\Phi 3 * 20 \text{mm}$	4
F	Hinge		4

ASSEMBLY INSTRUCTION


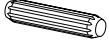
STEP 1

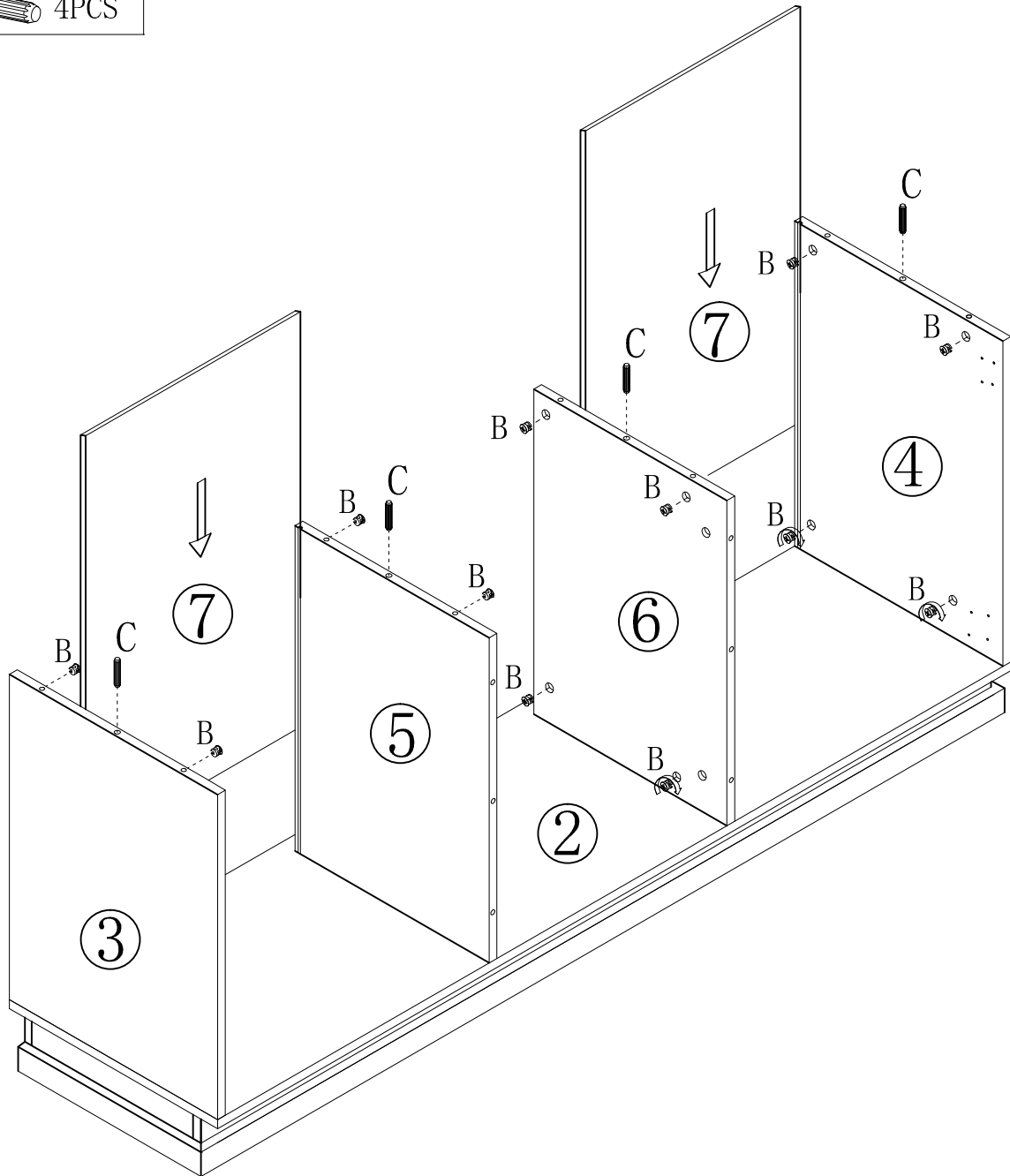
A:		8PC
C:		4PCS



ASSEMBLY INSTRUCTION


STEP 2

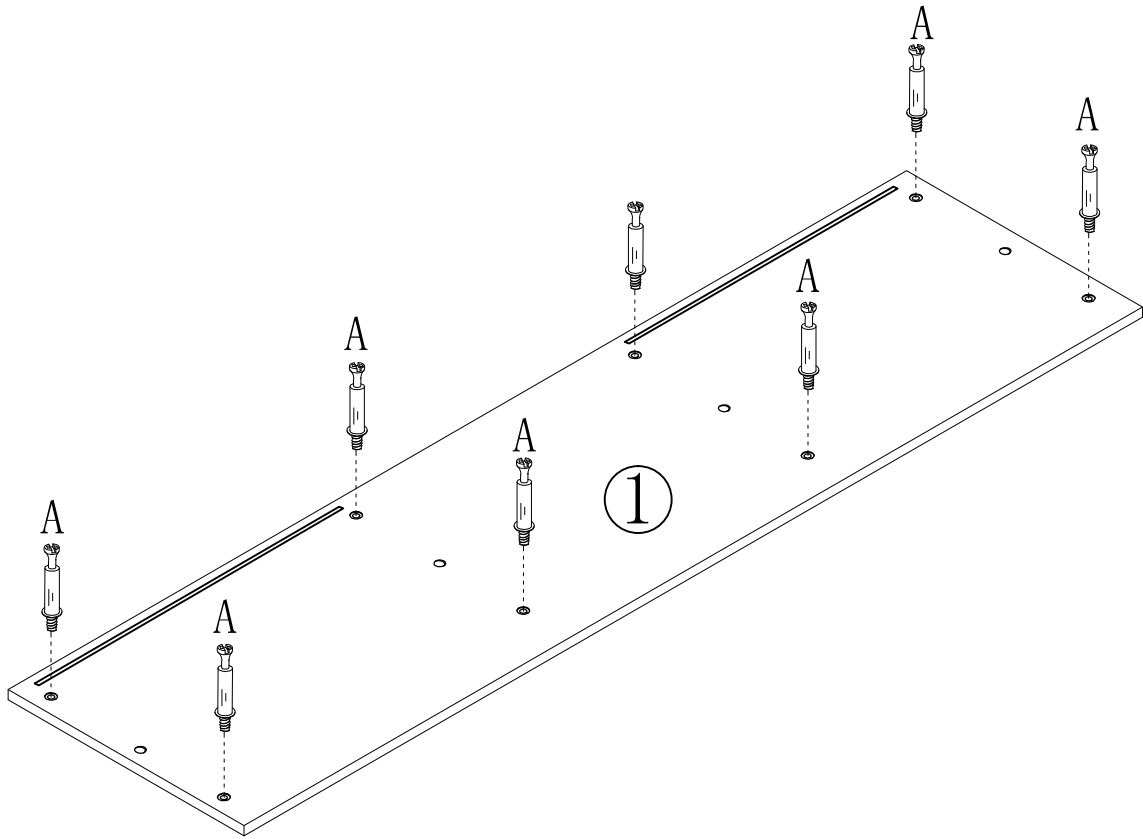
B:		16PC
C:		4PCS



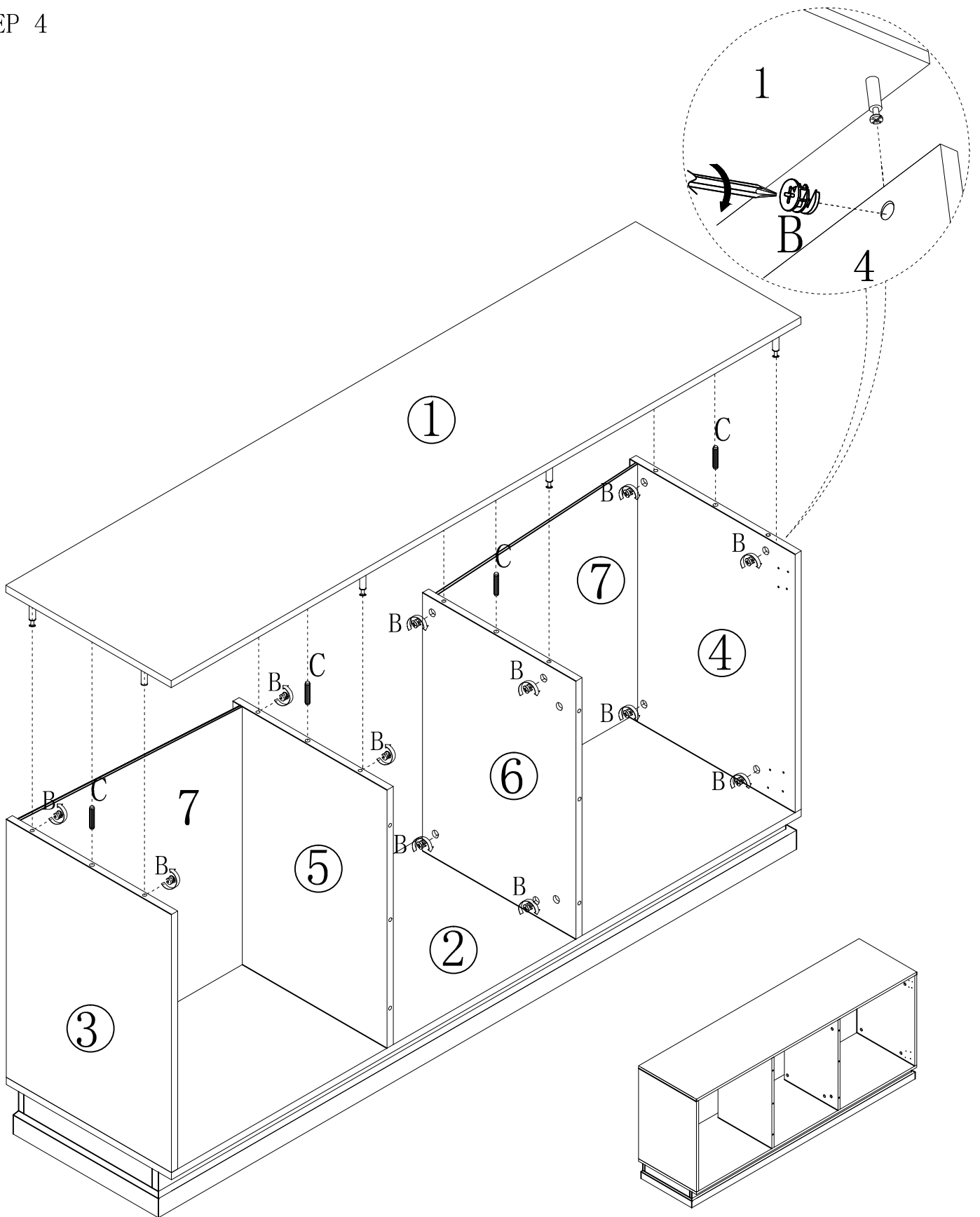
ASSEMBLY INSTRUCTION

STEP 3

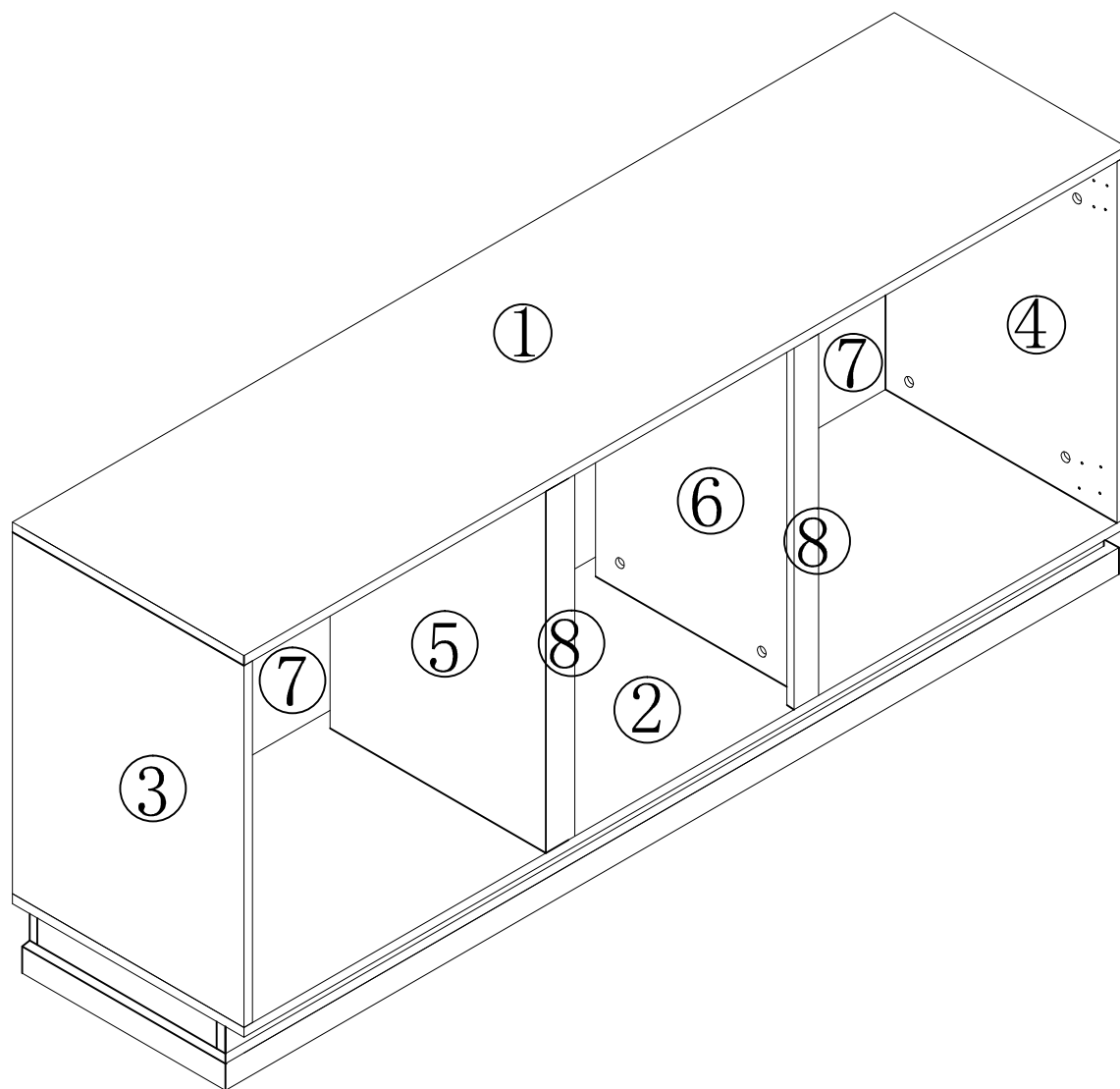
A:  8PC



STEP 4



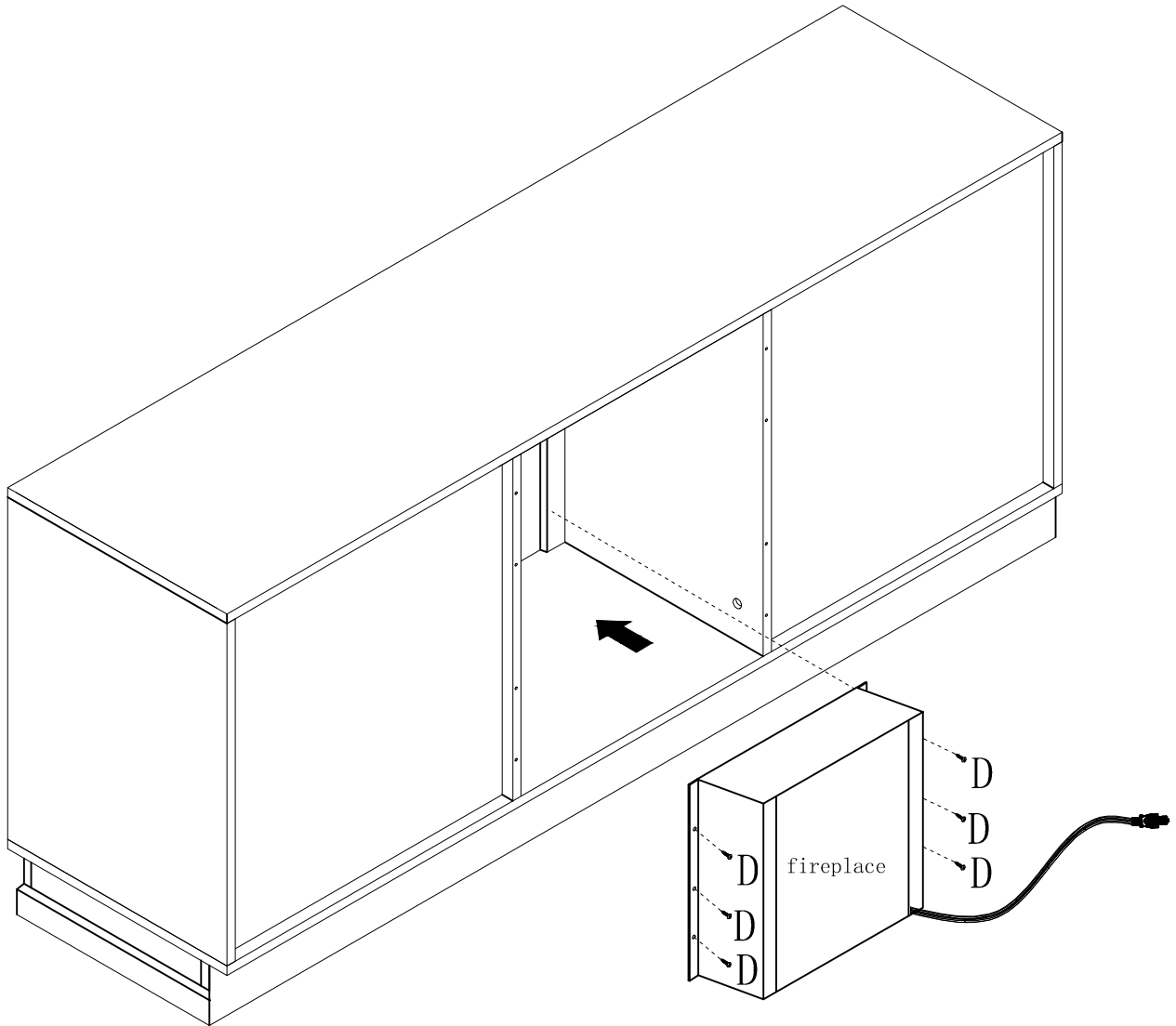
STEP 6



ASSEMBLY INSTRUCTION

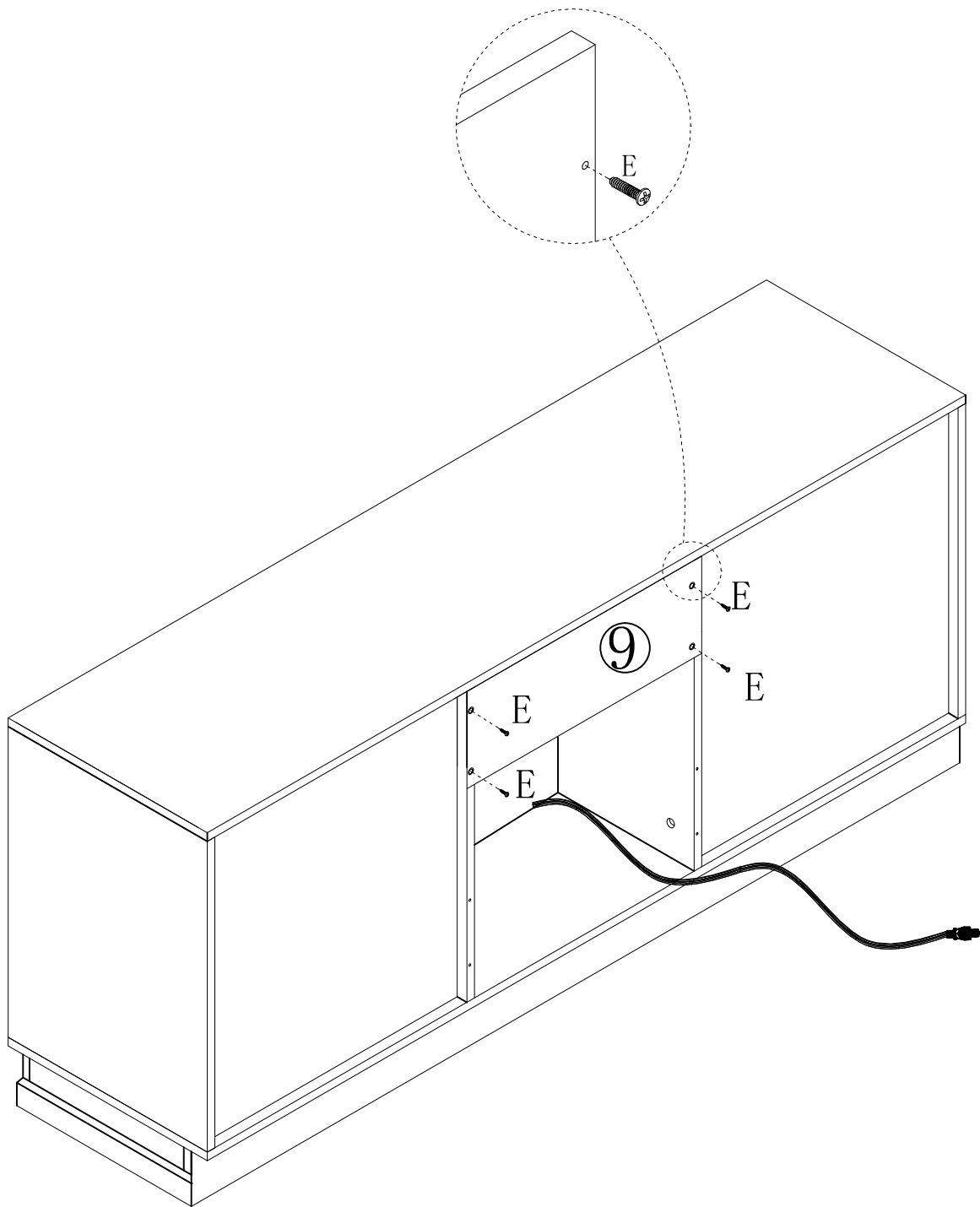
STEP 7

D:  6PC




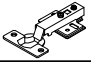
STEP 8

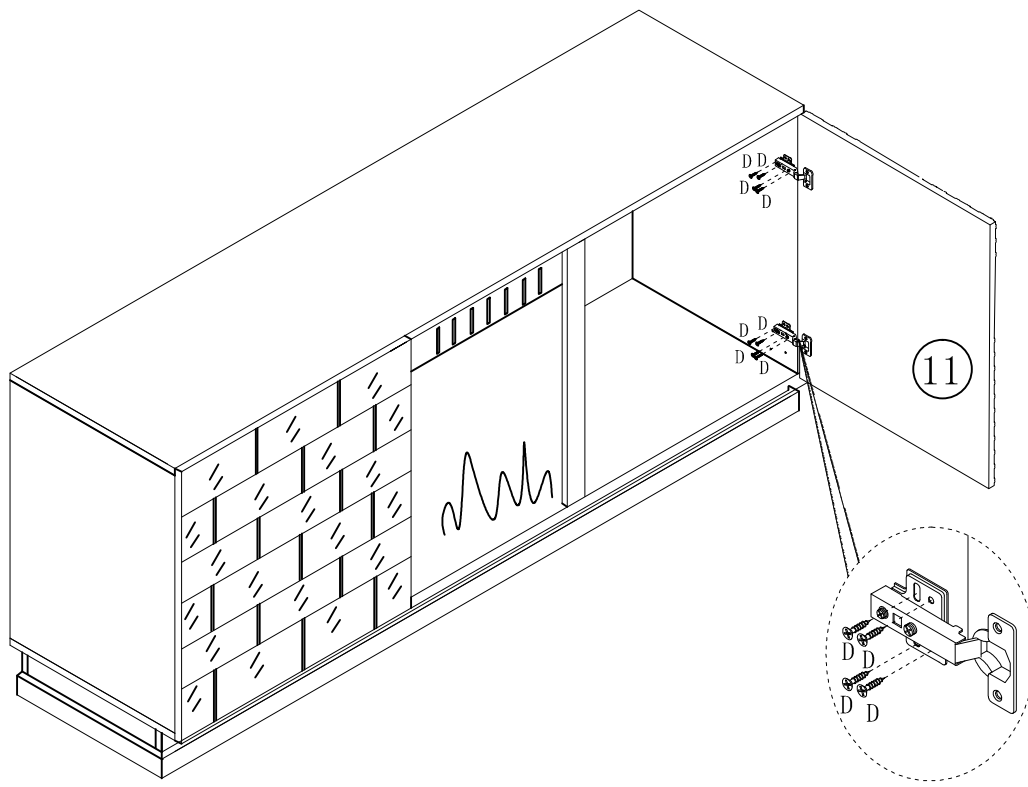
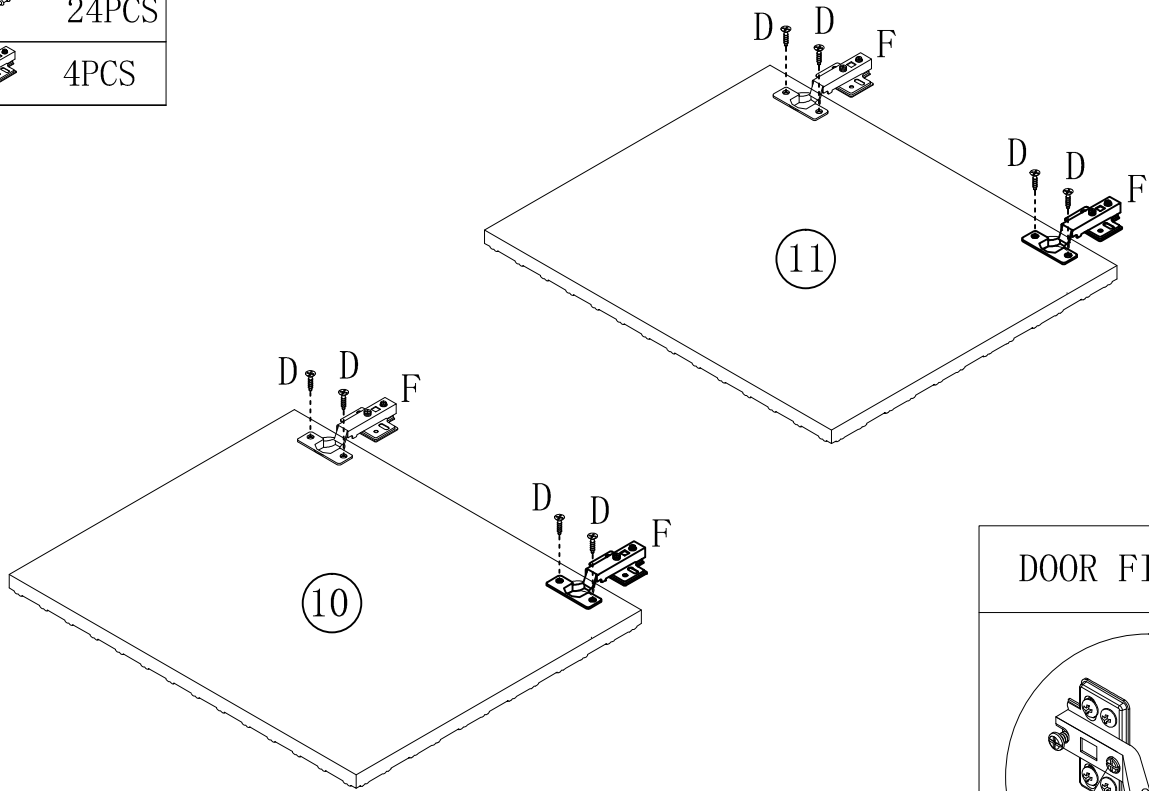
E:  4PC



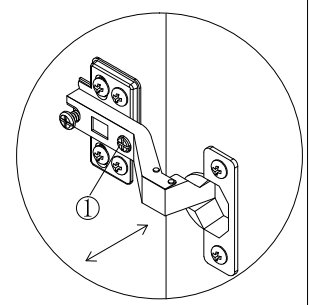
ASSEMBLY INSTRUCTION

STEP 9

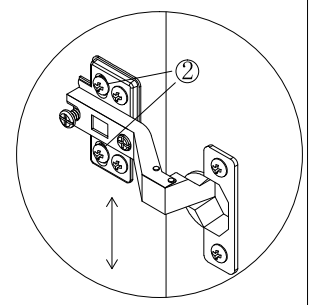
D:		24PCS
F:		4PCS



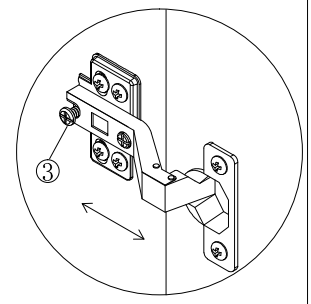
DOOR FITTING



To adjust in width



To adjust in height



To adjust in depth