







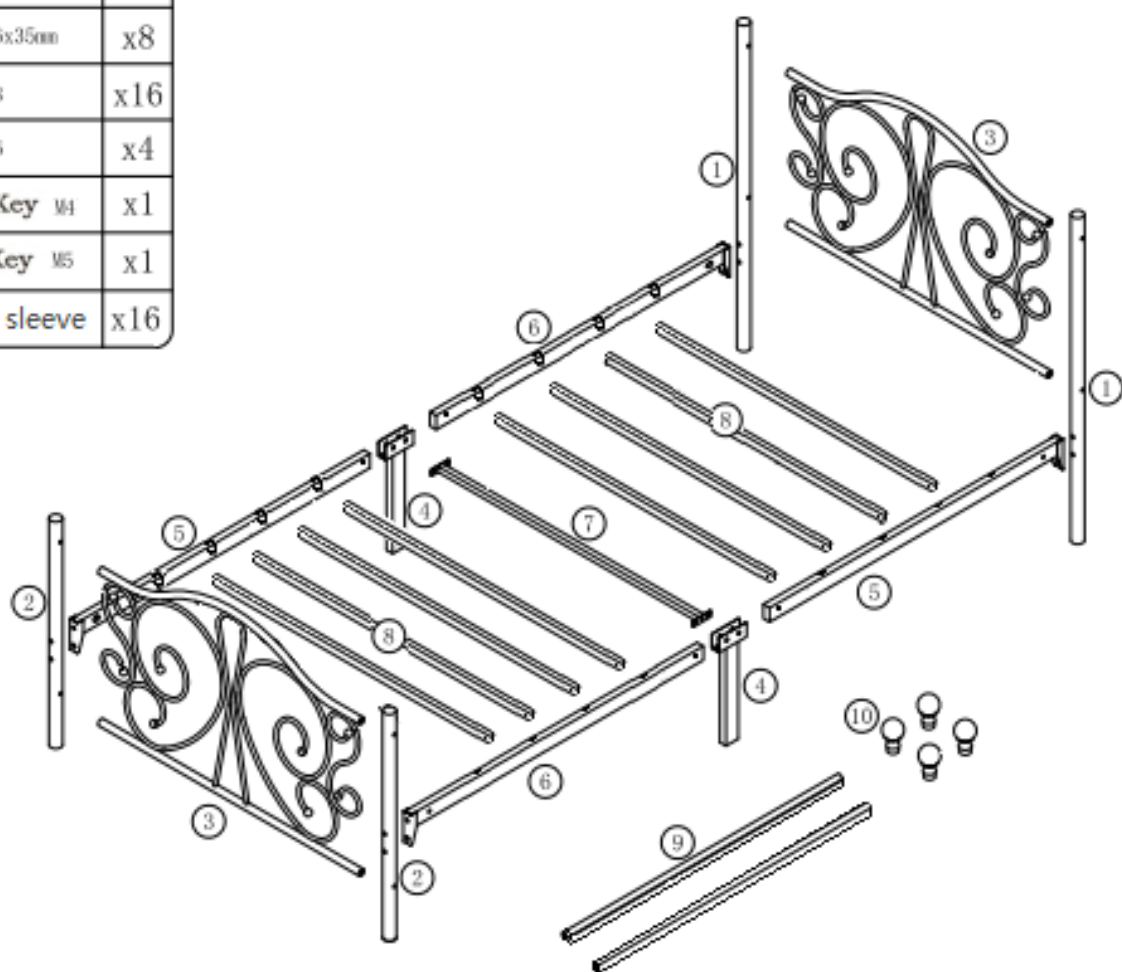







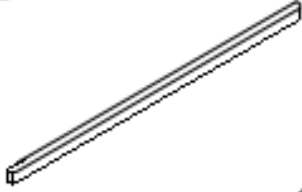
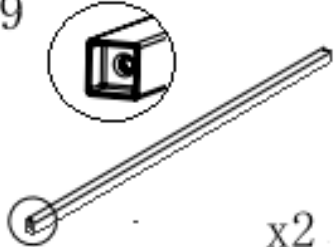

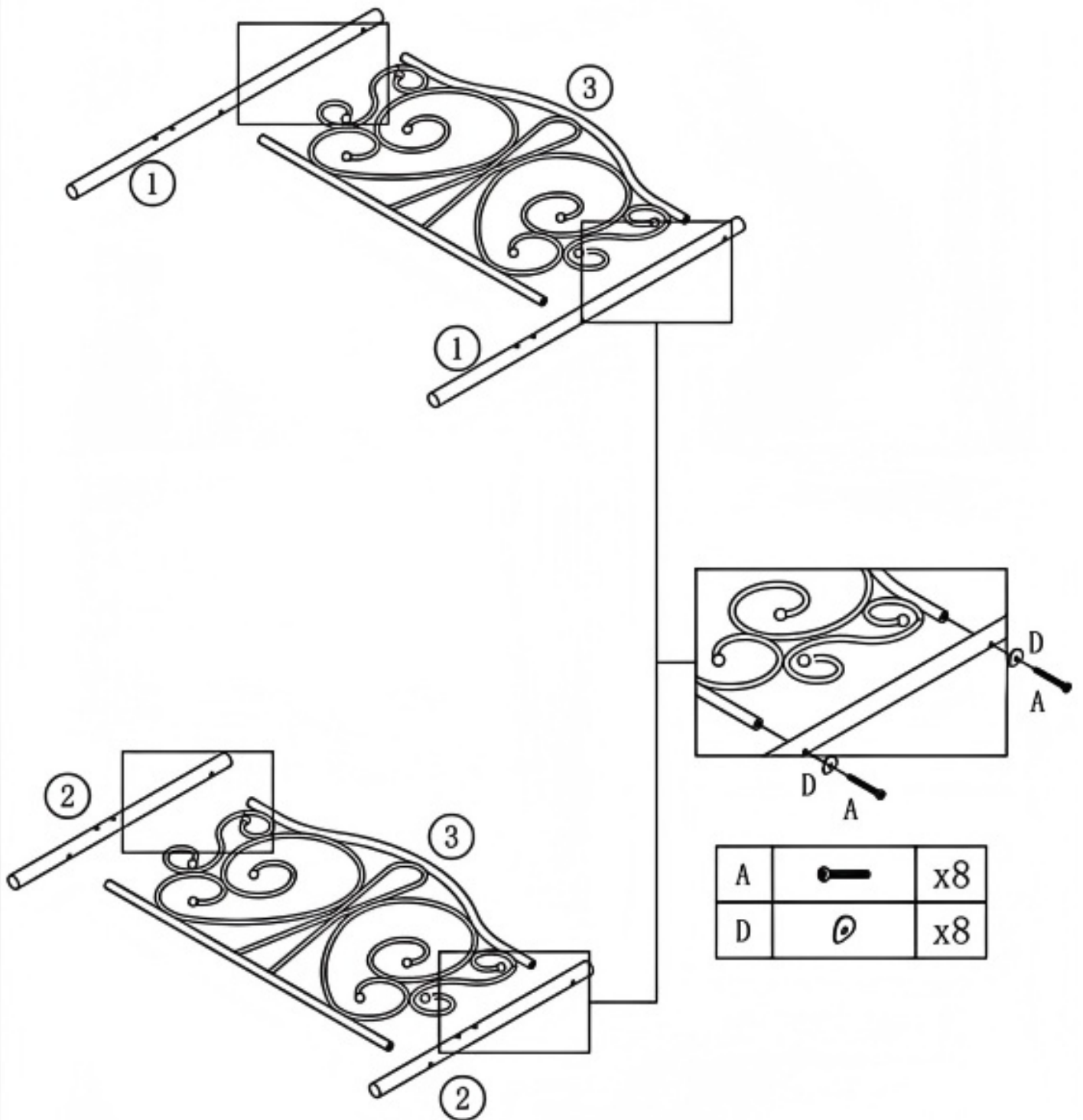


A		M8x45mm	x8
B		M6x45mm	x8
C		M6x35mm	x8
D		M8	x16
E		M6	x4
F		Allen Key M4	x1
G		Allen Key M5	x1
H		Plastic sleeve	x16



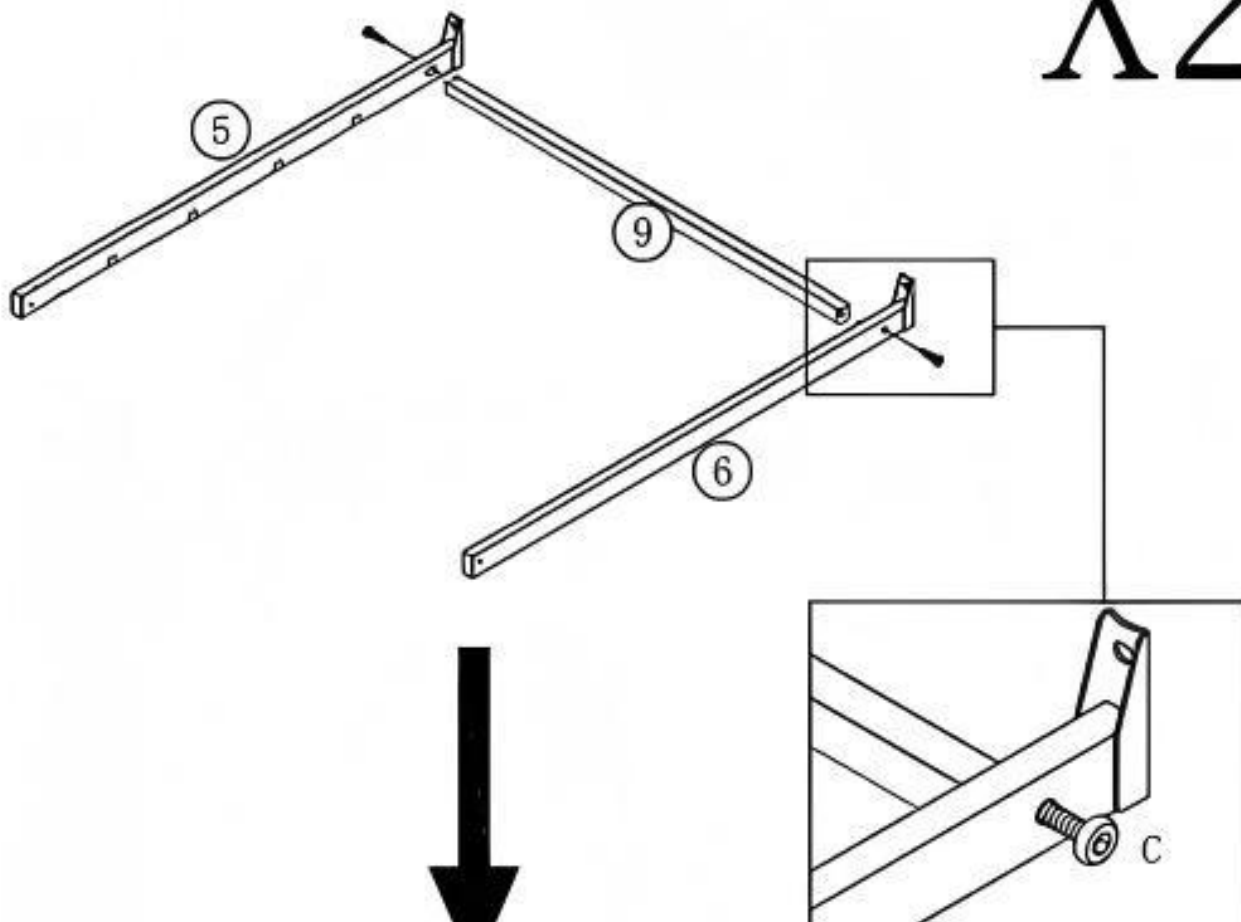
1  x2	2  x2	3  x2	4  x2
5  x2	6  x2	7  x1	8  x8
9  x2	10  x4		


STEP 1



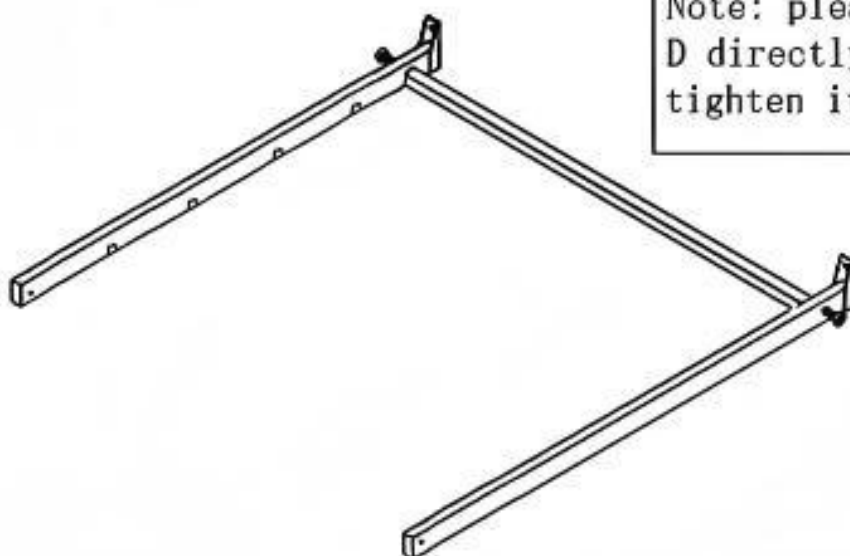
STEP 2

# X2

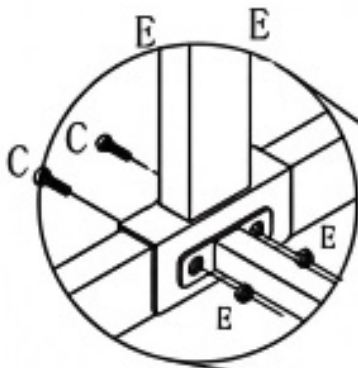
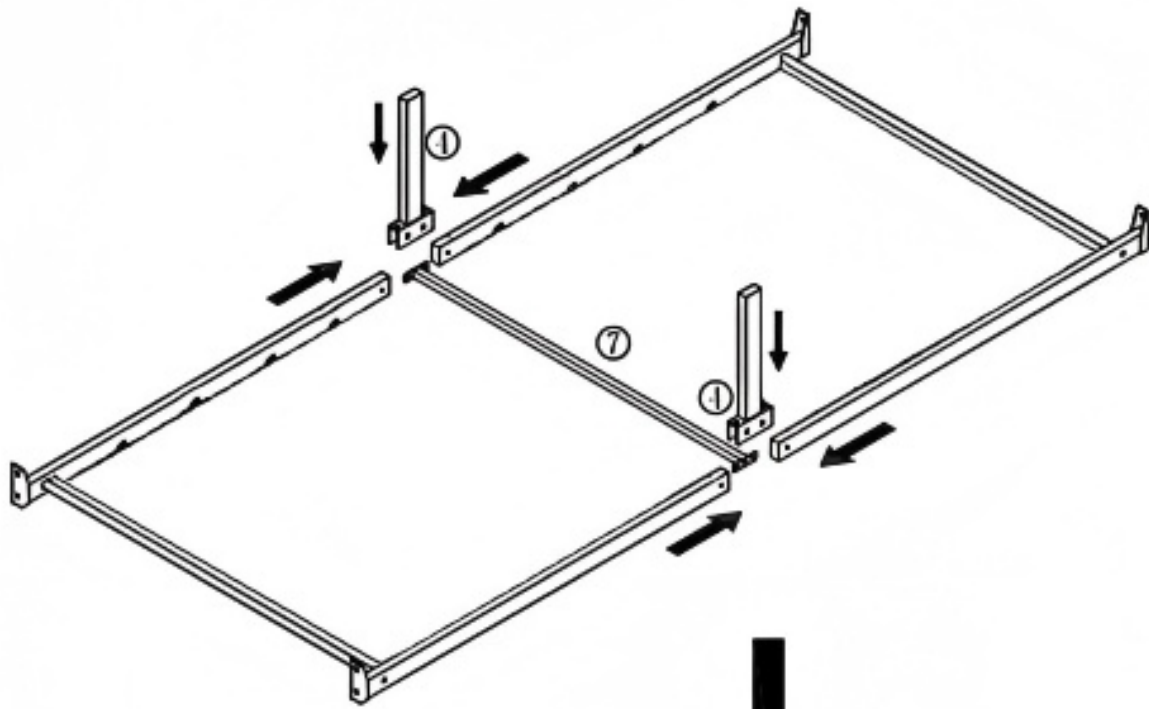




C		x2
---	---	----

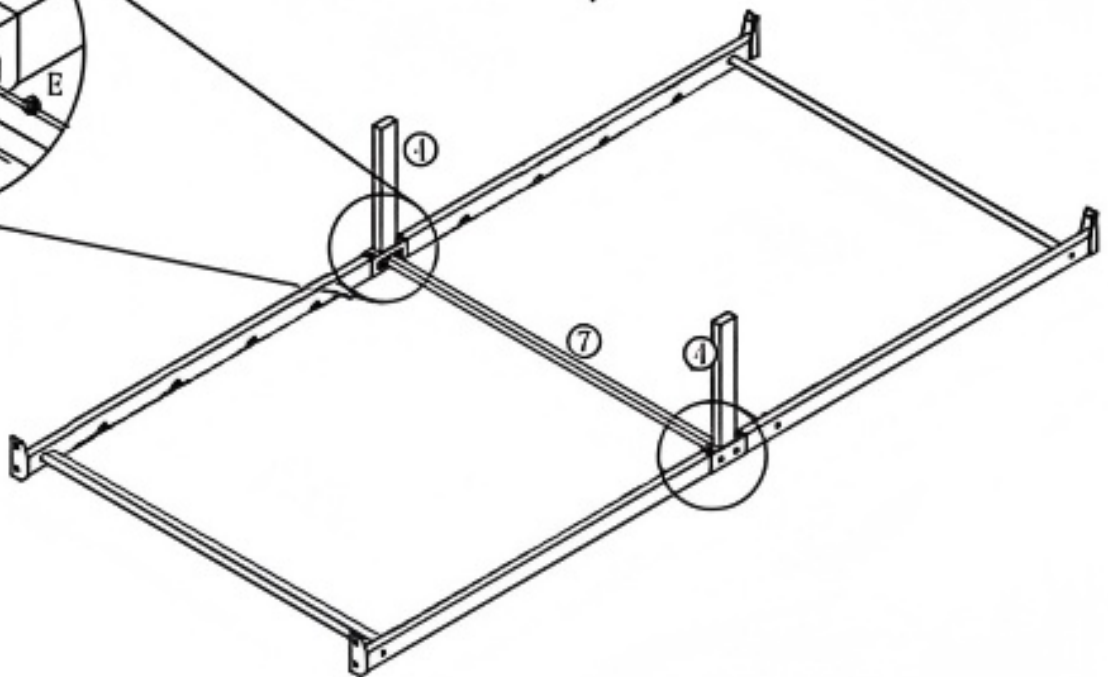
Note: please do lock the screw D directly, do not need to tighten it in this step.



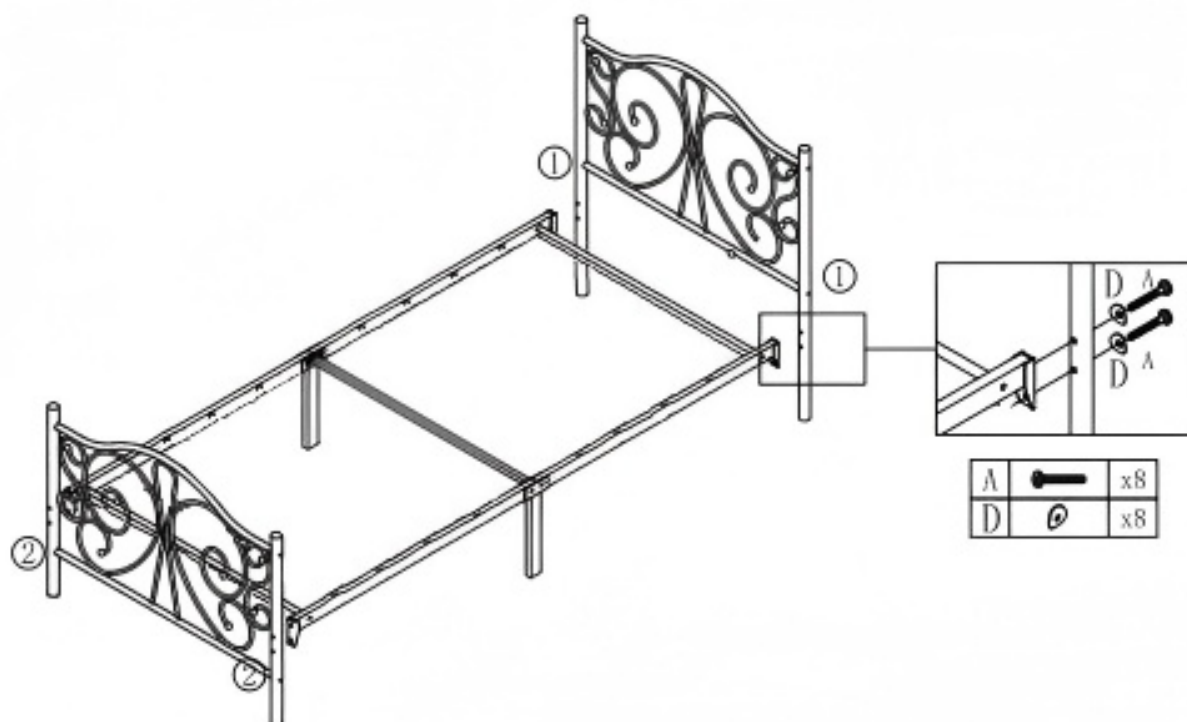
STEP 3



C		x4
E		x1



STEP 4



STEP 5

