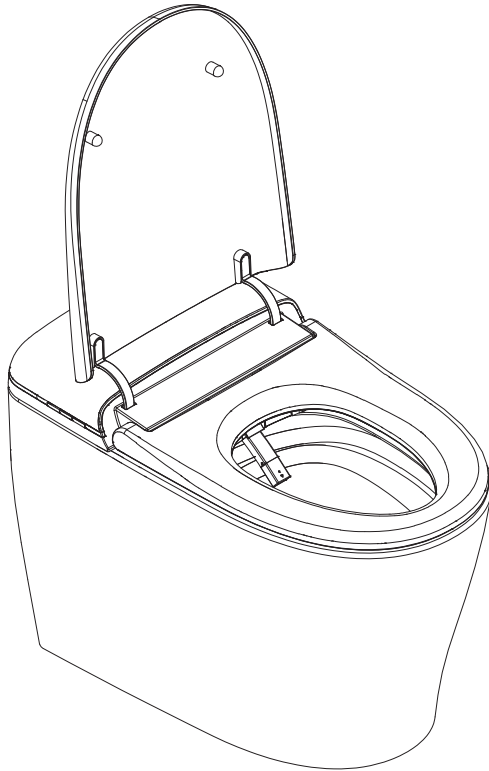


# Brondell®

Coit™

## Integrated Smart Bidet Toilet

**Model:** KBT-900



Owner's Manual

# Table of Contents

This manual contains important safety information. Before operating the bidet, please read this manual thoroughly, and retain it for future reference.

## **SAFETY INFORMATION**

- 02** Important Safeguards

## **PRODUCT INFORMATION**

- 07** Product Features
- 09** Product Dimensions

## **PRODUCT INSTALLATION**

- 10** Product Parts
- 11** Installation Parts
- 12** Before Installation
- 13** Installing the Emergency Flush Battery
- 14** Coit Installation

## **PRODUCT OPERATION**

- 16** Remote Control
- 19** Auxiliary Control Panel
- 20** Using the Coit
- 21** Auto Mode, Pre-Rinse, Auto Flush, and Foot-Activated Button
- 22** Manual Flush, Eco Mode, and Nightlight Seat
- 23** Sensor, Auto-Open Lid, and Silent Mode

## **MAINTENANCE**

- 24** Replacing the Emergency Flush Battery
- 25** Cleaning the Mesh Filters
- 27** Cleaning the Deodorizer Vent
- 28** Cleaning the Seat and Nozzle
- 29** Hose Connection Diagram
- 30** Product Storage

## **TECHNICAL INFORMATION**

- 31** Product Specifications
- 33** Troubleshooting
- 36** Regulatory and Safety Notices
- 37** Warranty
- 38** Contact


## **TRANSLATIONS**


- 39** Spanish
- 77** French


# SAFETY INFORMATION (IMPORTANT SAFEGUARDS)


## READ ALL INSTRUCTIONS BEFORE USING

BE CAREFUL TO KEEP THIS SAFETY INFORMATION. PLEASE READ THIS INFORMATION TO PREVENT PROPERTY LOSS AND ENSURE SAFETY.

 **DANGER:** If not observed, serious injury or even death may occur as a result.

 **WARNING:** If not observed, serious physical injury or property damage may occur as a result.

 **CAUTION:** If not observed, minor physical injury or property damage may occur as a result.

 **DANGER** Failure to observe the following warnings may result in electric shock, fire, personal injury, property damage or product damage.

- Do not use a damaged power plug or plug into a loose electric outlet.
- Do not move the product by pulling the power cord.
- Do not handle the product or power plug with wet hands.
- Do not forcefully bend the power cord or place heavy objects on it to prevent it from being damaged or deformed.
- Do not connect and pull out the power plug or cord repeatedly.
- Unplug the product before cleaning, repairing, inspecting, or replacing parts.
- Remove any dust or water from the power plug prior to plugging in.
- Do not plug the product into an electrical outlet or power strip that is being used by too many other products. Use an electrical outlet adequate for the wattage of the product rated for a minimum of 15 amps.
- If the power cord is damaged, do not attempt to repair, modify, or replace the cord yourself. Contact the Brondell Service Center toll free at **888-542-3355** or email us through our website.
- If the product produces a strange noise, a burning smell, or emits smoke, unplug it immediately from the electrical outlet and contact Brondell. Failure to do so may result in electric shock or fire.
- Do not insert any wires or sharp objects into any product gaps. This may result in electric shock, fire, or product damage.
- Do not place an electronic or gas heater near the product or dispose of any burning materials such as a lit cigarette in the toilet. This may result in fire or product deformation. Do not place any containers filled with water or other liquids, food, metallic objects, or any flammable material on top of the product. If foreign material enters the product, this may result in electric shock or fire.

# SAFETY INFORMATION

## (IMPORTANT SAFEGUARDS)



### DANGER

Failure to observe the following warnings may result in electric shock, fire, personal injury, property damage or product damage.

- Do not use the product in locations exposed to excessive moisture and do not splash water onto the product.
- While cleaning the bathroom, pull the power plug out of the electrical outlet and exercise caution to ensure that water or cleaning supplies do not splash onto the bidet. Failure to do so may result in electric shock or fire.
- If foreign material enters the product, pull the power plug out of the electrical outlet, turn off the main water valve, and call the Brondell Service Center.
- Do not disassemble, repair, or modify the product yourself.
- Do not use the product while wet from bathing or showering.
- Do not place or store the product where it can fall or be pulled into a tub or sink.
- Do not place in or drop the product into water or any other liquid.
- Do not reach for the product if it has fallen into water. Unplug the product immediately and call the Brondell Service Center.
- Do not use the product if it is not working properly. Please unplug the product immediately, close the main water supply valve, and call the Brondell Service Center at **888-542-3355**. Failure to do so may result in electric shock, fire, or flooding.



### WARNING

Failure to observe the following warnings may result in electric shock, fire, personal injury, property damage or product damage.

- Do not plug in, operate, or store the unit in locations where flammable or combustible materials are used or kept.
- Do not use industrial water, or gray water for the supply, as this may cause skin damage or disease.
- Turn off the main water supply valve when cleaning.
- For children and seniors who may have difficulties with adjusting temperatures or those with sensitive skin or impaired heat sensitivity, set the temperature of the wash spray and seat to “low” or “off” to prevent burning.
- Close supervision is necessary when this product is used by children, seniors, or persons requiring general assistance.
- Do not press the buttons using excessive force.
- Do not stand on top of or place any heavy objects onto the seat cover.
- Use this product for its intended use only, as described in this manual. Do not use any attachments that are not recommended by Brondell.

# SAFETY INFORMATION

## (IMPORTANT SAFEGUARDS)



### WARNING

Failure to observe the following warnings may result in electric shock, fire, personal injury, property damage or product damage.

- Never operate this product if it has a damaged cord or plug, if it is not working properly, if it has been dropped or damaged, or dropped into water. Contact the Brondell Service Center for examination and repair.
- Keep the cord away from heated surfaces and heating vents.
- Never block the air openings of the product or place it on a soft surface, such as a bed or couch, where the air openings may be blocked. Keep the air openings free of lint, hair, etc.
- Never drop or insert any object into any opening or hose.
- Do not use the product outdoors or operate where aerosol (spray) products are being used or a room where it could be exposed to oxygen.
- Connect this product to a properly grounded outlet only. Refer to the Grounding Instructions in the next pages of the manual.



### CAUTION

Failure to observe the following warnings may result in electric shock, fire, personal injury, property damage or product damage.

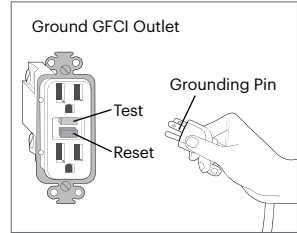
- Do not connect the main water supply to the hot water pipe or supply (only connect to the cold water supply).
- After the installation, make sure to check all water supply connections for leaks. Rubber washers should be in place for the water connection hoses & T-valve.
- Do not open/close the seat or seat cover with excessive force.
- Exercise caution that urine does not come into contact with the product—failure to do so may result in bad odors or malfunction.
- If the product will not be used for a long period of time, unplug the power cord, close the main water supply valve, and drain any water in the water tank.
- Do not pull out the bidet hose using excessive force.
- Do not use thinner, benzene, acidic chemicals, chloride, or hydrochloric acid detergent on or near the product. This may result in corrosion to the metal parts or discoloration or scratches to the bidet body.
- This appliance is not intended for use by persons (including children and seniors) with reduced physical, sensory, or mental capabilities, or lack of experience and knowledge, unless they have been given supervision or instruction concerning the use of the appliance by a person responsible for their safety.
- Children should be supervised to ensure that they do not play with the appliance.

# SAFETY INFORMATION (IMPORTANT SAFEGUARDS)

## Grounding and GFCI Outlet Instructions

This product should only be used with a grounded GFCI (Ground Fault Circuit Interrupter) outlet and a grounded three-prong electrical cord as shown to the right. In the event of an electrical short circuit, using a grounded GFCI outlet reduces the risk of electric shock.

This product is equipped with a grounded cord and is for use on a nominal 120V circuit only (minimum 15 amps) and must be plugged into an outlet that is properly grounded with a GFCI breaker as shown. Replace or repair a damaged cord immediately.



### **IMPROPER USE OF THE GROUNDING PLUG CAN RESULT IN A RISK OF ELECTRIC SHOCK.**

- If repair or replacement of the cord or plug is necessary, do not connect the grounding wire to either flat blade terminal.
- The wire with green insulation (either with or without a yellow stripe) is the grounding wire. Check with a qualified electrician if the grounding instructions are not completely understood, or if there is doubt if the product is properly grounded.

# SAFETY INFORMATION

## (IMPORTANT SAFEGUARDS)

### Optional Grounding Instructions

This product is for use on a nominal 120V circuit, and has a grounding plug that looks like the plug illustrated in sketch A in Figure 1.

A temporary adapter, which looks like the adapter illustrated in sketches B and C, may be used to connect this plug to a 2-pole receptacle as shown in sketch B if a properly grounded outlet is not available.

The temporary adapter should be used only until a properly grounded outlet (sketch A) can be installed by a qualified electrician.

The green colored rigid ear, lug, or the like extending from the adapter must be connected to a permanent ground such as a properly grounded outlet box cover. Whenever the adapter is used, it must be held in place by the screw.

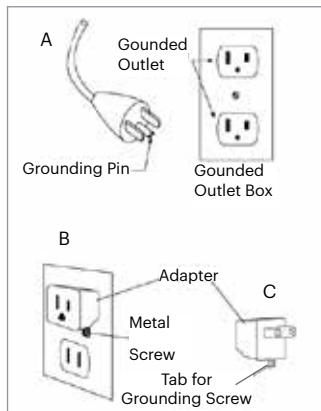


Figure 1

## Product Features

### Bidet Features

#### Self-Cleaning, Retractable Nozzle

Self-cleaning feature gives the nozzle a cleansing rinse—on demand. Deep cleaning is easy, thanks to the detachable nozzle.

#### Rear and Front Warm Water Wash

Adjustable temperature, position, pressure, and oscillation settings.

#### Positionable Nozzle

The nozzle has five different positions to ensure the most comfortable and complete wash.

#### Wireless Remote Control and Mount

Easily select functions, spray settings, and more. Batteries included.

#### Adjustable Water Temperature and Pressure

Front and rear wash modes have 6 water temperature settings and 5 water pressure settings.

#### Advanced Air Dryer

Three fan speed settings and 4-level temperature settings for a hands-free drying experience and toilet paper reduction/elimination.

#### Nozzle Oscillation

Move function provides a massaging, oscillating cleanse during the wash cycle, ensuring a thorough and comfortable wash.

#### Auto Flush

The toilet will automatically flush when the seat no longer detects a user.

#### Heated Toilet Seat

Adjust the seat temperature with 6 levels.

#### Auto-Sense LED Nightlight

Boost safety at night with automatic nightlight and on/off option.

#### Auto Open/Close Lid and Remote Controlled Seat

Enjoy a hygienic experience with an automatic lid and seat.

#### Hygienic, Foot-Activated Button

Convenient feature opens the seat, lid, and initiates flushing without hand-to-toilet contact.

#### Eco Mode

Automatically lowers the seat temperature for energy saving when activated.

#### Built-in Carbon Deodorizer

Automatically reduces odors with a 3 minute air filtration cycle.

#### UV Nozzle Cleaning

Automatic UV light provides instant nozzle cleaning after every use.

#### On-Demand Nozzle Cleaning

Activate for automatic nozzle rinse and manual cleaning.

#### Ceramic Water Heating System

Provides endless warm water washes without connecting to a hot water valve in your bathroom.

#### DIY installation with secure, quick-attach mounting brackets

Designed to be installed without specialized tools or a plumber.

## **Product Features (Cont'd)**

### **Bowl Features**

Ceramic with Integrated Protective Coating

Chair height: 16.5" (420 mm)

Elongated Bowl Shape

12" (305 mm) Rough-In Housing

### **Flushing System Features**

Auto and Manual Flush

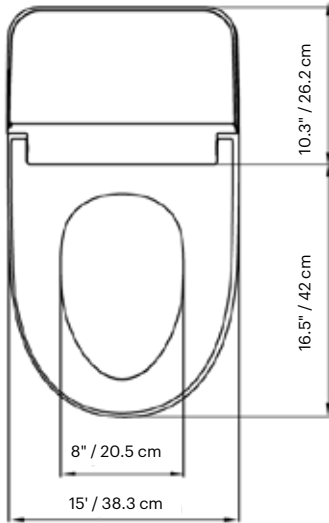
Bowl-Cleaning Pre-Rinse

Double-stream Flushing and Forceful Siphon

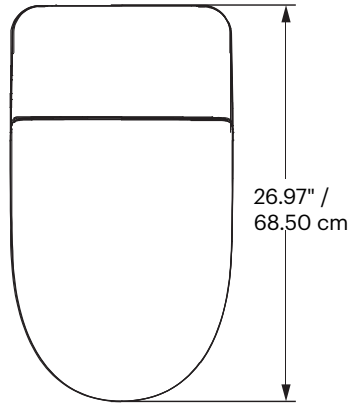
1.28 Gallons (4.8 Liters) per Flush

# Product Dimensions

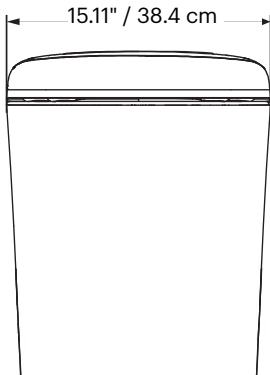
Top View Lid Open



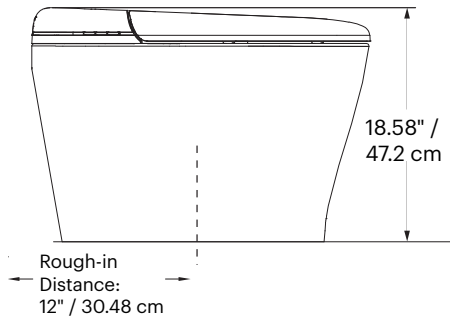
Top View Lid Closed



Front View

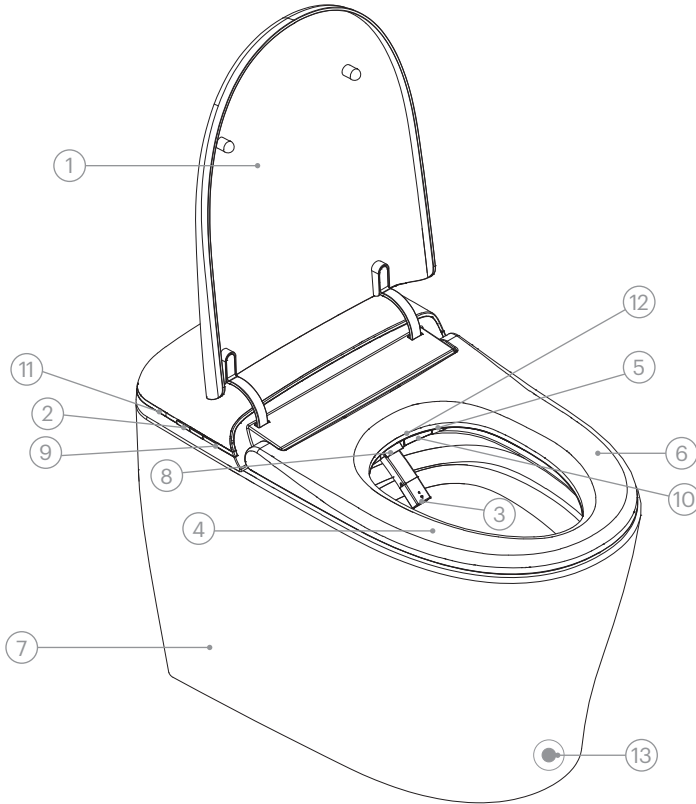


Side Profile View



## Product Parts

1. Lid
2. Auxiliary Control Panel
3. Nozzle
4. Heated Seat
5. LED Nightlight
6. Seat Sensor
7. Plug Cover (on ceramic bowl)
8. Advanced Air Dryer Outlet
9. Manual Flush Button
10. Deodorizer Vent
11. Light Sensor
12. UV light
13. Foot-Activated Button



# Installation Parts

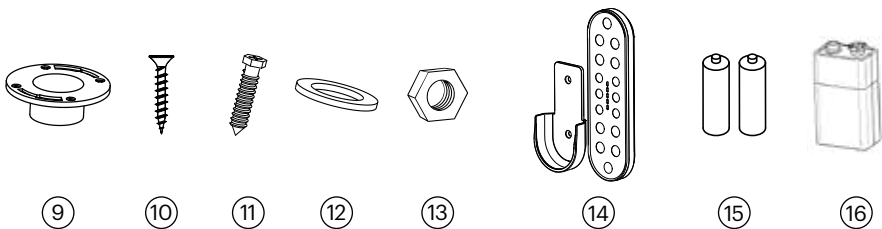
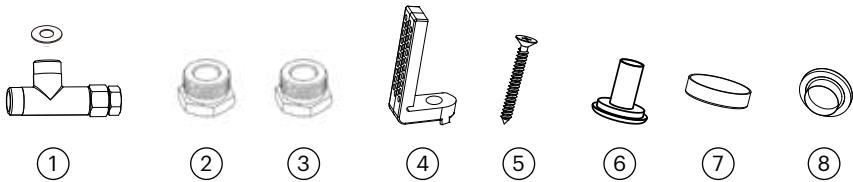
## Included Parts

1. 1/2" x 1/2" x 11/16-20UN T-Valve with Flat Washer
2. 11/16-20UN to 3/8" Adapter with Flat Washer
3. 11/16-20UN to 1/2" Adapter with Flat Washer
4. Mounting Brackets (2)
5. Mounting Bracket Screws (2)
6. Screw Plugs (2)
7. Plug Covers (2)
8. Wax Toilet Seal
9. Floor Flange
10. Floor Flange Screws (4)

11. Toilet Mounting Bolts (2)
12. Toilet Mounting Bolt Washers (2)
13. Toilet Mounting Bolt Nuts (2)
14. Remote Control with Wall Mount
15. AAA Batteries (2)
16. 9V Battery

## The following are pre-installed and are not shown:

17. Bidet Water Supply Hose
18. Flush Water Supply Hoses (3)
19. T-Valve Mesh Filter
20. Bidet Inlet Mesh Filter
21. 7/8" Flush Hose Mesh Filter



## Required Installation Parts and Tools (Not Included)

1. 7/16" Slip Joint Angle Stop (Wall Valve) with Compression Nut Removed to Expose 1/2" MIP Threads
2. GFCI Receptacle (Wired in Wall and Tested)
3. Adjustable Wrench
4. Phillips-Head Screwdriver
5. Silicone Gun (Optional)
6. Water Pressure Gauge (Optional)

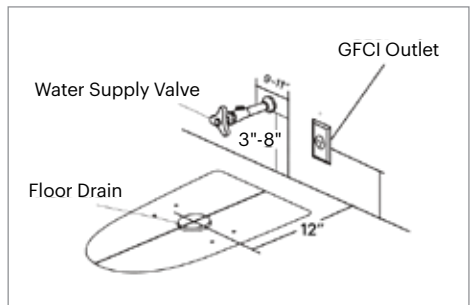
# Before Installation

**IMPORTANT NOTE:** Please read through this entire list of instructions and take inventory of included parts before beginning installation. If you have any questions at all, please call Customer Support at 1-888-542-3355 before you begin your installation.

A GFCI electrical outlet near the toilet is needed to provide power. Ensure that the skirt of the toilet does not interfere with the water supply point. Due to the nature of this product, a plumber is recommended for installation.

1. Before unpacking this product, ensure rough-in dimensions are as follows:

- The centerline of the floor drain is to be 12" from the finished back wall. Do not include the thickness of any baseboard molding when taking this measurement.
- Locate the included installation template titled "Confirm Dimensions Before Unpacking."
- Place the provided installation template on the ground and trace the outline with a marking pen to confirm rough-in dimension; remove installation template before installing the unit.
- The centerline of the angle stop (water supply valve) is to be 3"-8" above the finished floor and 9"-11" to the left of the centerline of the floor drain. The angle stop will need to have a 1/2" or 3/8" MIP thread to connect to the included T-Valve

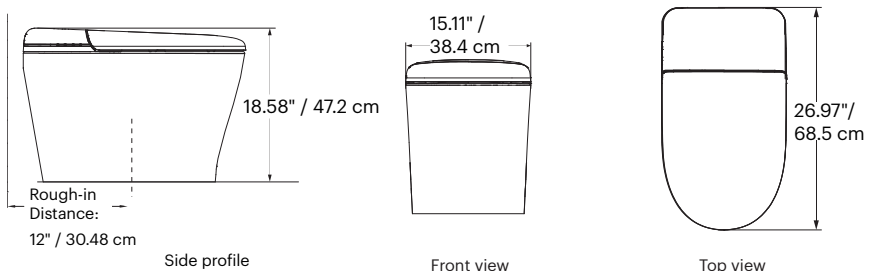


2. Confirm water pressure:

The minimum operating water pressure is 35 psi / 0.24 MPa. If the operating water pressure is below 35 psi / 0.24 MPa, and the incoming flow rate is less than 9.25 gal/min at 35 psi, the unit may experience issues with the flushing mechanism. Use a water pressure gauge (not supplied) to ensure there is adequate water pressure before installation.

3. Ensure there is enough space to properly install the unit.

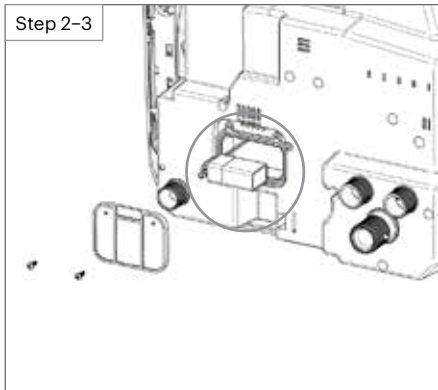
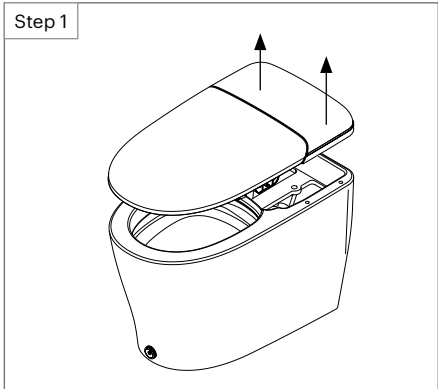
## Confirm Dimensions of Product with Installation Space



# Installing the Emergency Flush Battery

In the event of loss of power to the Coit, the flush button located on the auxiliary control panel can be used to manually flush the toilet. Follow the instructions below to install the 9V battery underneath the bidet seat before proceeding with installing the Coit.

1. Remove the top bidet unit by grabbing the back-top corners of the bidet and gently, but firmly pull up towards you to release the bidet from the ceramic base. Be careful not to damage any hoses, power cords, or connections as you remove the bidet.
2. Use a Phillips-head screwdriver to release the screws and remove the cover.
3. Connect the included 9V battery to the terminal wire. Ensure you have properly connected the battery to the correct polarities and replace the battery compartment cover.
4. Feed the bidet hose, flush hose, and power cord back through the ceramic base cavity, ensuring none of the water supply hoses become pinched or kinked.
5. Reinstall the bidet seat onto the ceramic base; evenly press down until you hear the bidet snap into place.



## PRODUCT INSTALLATION

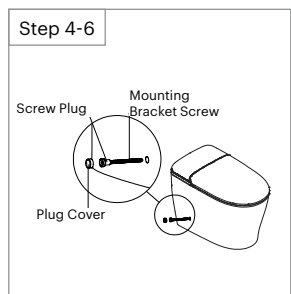
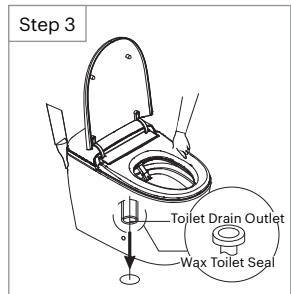
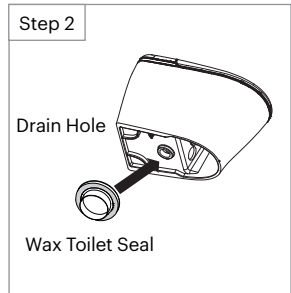
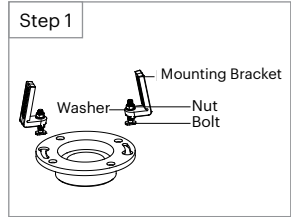
# Coit Installation

**HIGHLY RECOMMENDED:** Use two or more people to complete Step 3, as the bowl is very heavy and can be difficult to maneuver properly and may cause injury.

1. Install mounting brackets onto floor flange using toilet mounting bolts, metal washer, and nut. Hand-tighten the nuts. Use a wrench to tighten the nuts one quarter turn beyond hand tight.

**NOTE:** A new floor flange and mounting bolts are included with your installation kit. Replace old floor flange and bolts if necessary.

2. Place the wax toilet seal on the drain hole underneath the ceramic bowl.
3. Using two or more people, carefully install the ceramic bowl, aligning over the mounting brackets and toilet drain. Press down evenly on the toilet to ensure the wax toilet seal is in full contact with the ground.
4. Insert screw plugs on both sides of the ceramic base.
5. Install mounting bracket screws through the screw plugs on both sides of the toilet using a Phillips-head screwdriver, ensuring the screws are fully secure. Be careful not to overtighten as damage or cracking may occur.
6. Install plug covers.



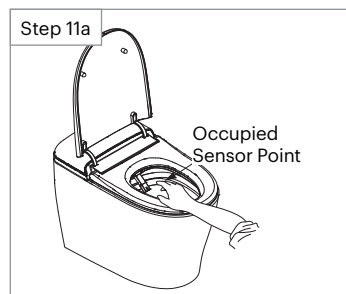
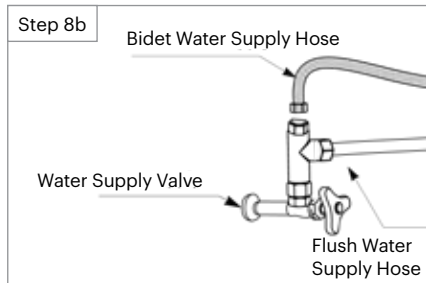
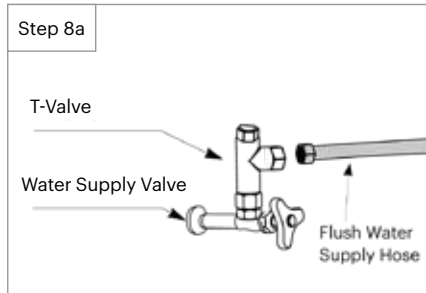
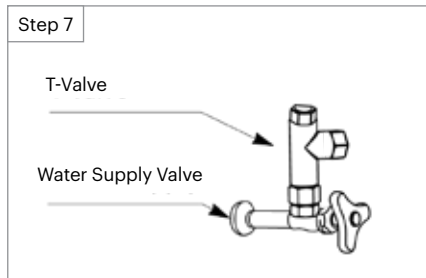
## Coit Installation (Cont'd)

7. Install the washer and T-Valve onto the main water supply valve at your wall (use 3/8" or 1/2" adapter depending on your connection size).
8. Connect water supply hoses.
  - a. Connect flush water supply hose to side of T-Valve and secure.
  - b. Connect bidet water supply hose to top of T-Valve and secure.
9. Turn on the water supply.
  - a. Open the main water supply valve slowly and check for leaks at the T-Valve and the hose connections underneath the bidet.
  - b. Wait 30 minutes, check again and, if there are no leaks, continue.
10. Plug the power cord into a GFCI electrical outlet.
  - a. Once powered on, the unit will run an initial diagnostic test; the lights will turn on, the nozzle will extend, and water will run through the system. Once the lights shut off, the diagnostic test is complete.

**NOTE:** Make sure to only use a grounded GFCI (ground fault circuit interrupter) electrical outlet, as in the case of a short circuit, a grounded GFCI outlet may help prevent electric shock or injury.

11. Test the Coit Integrated Smart Bidet Toilet.
  - a. Ensure all functions are working properly by placing your hand on the seat sensor area to activate the unit. Check the rear and front wash functions, including water pressure, nozzle position adjustment, and water temperature adjustment. **NOTE:** Use your hand or a cup to block the spray to avoid spraying water outside the toilet.

**NOTE:** After testing the functions, it is suggested to place silicone caulking around the base of the toilet to ensure a proper seal. Wait at least 24 hours before using the toilet after applying the silicone.



## Remote Control

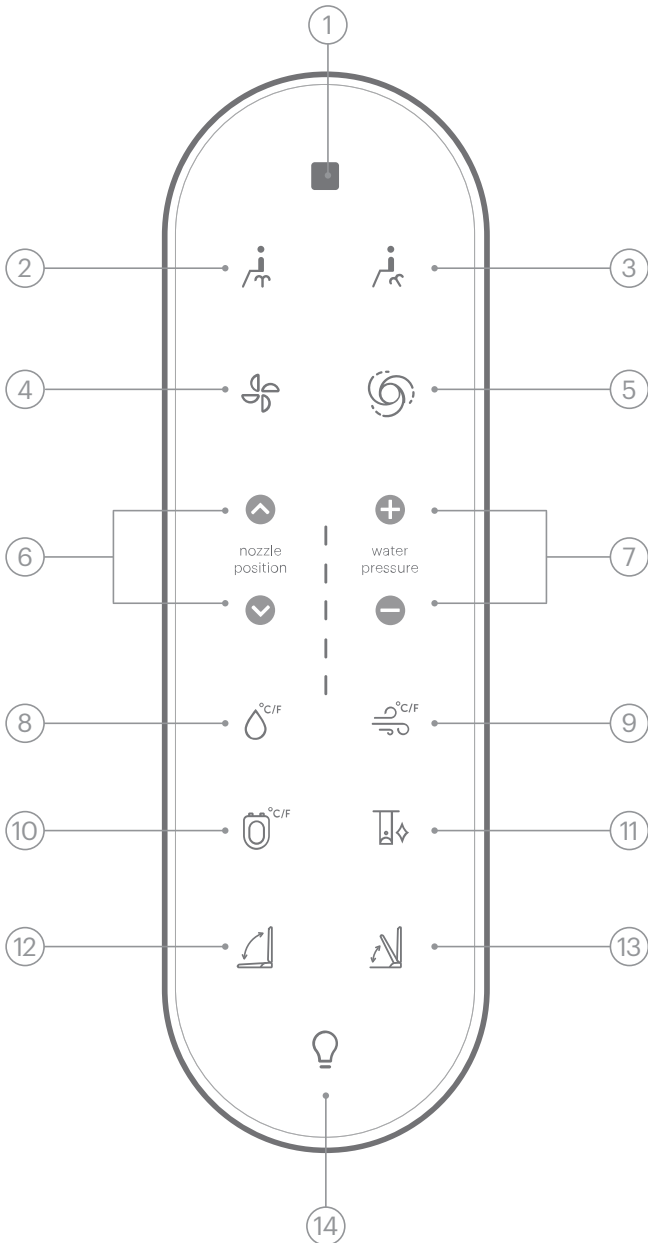
1. Insert the AAA batteries.
  - a. Open battery compartment cover on backside of remote control by pulling down on the tab to release the cover.
  - b. Insert two AAA batteries (included), ensure batteries are installed correctly.
  - c. Replace battery compartment cover.
2. Mount the remote (optional)
  - a. Identify a location in the bathroom for the remote control that is visible and reachable from the toilet.
  - b. Use the included mounting screws or peel off the double-stick tape on the back of the wall mount and press firmly to the wall to ensure that it does not fall and damage the remote control.

**NOTE:** The remote control is paired to the product by default at the factory. If the remote control is not working properly, double check the batteries or re-pair the remote using the remote pairing instructions below.

### Remote Pairing Instructions

1. Unplug the unit.
2. Hold the *stop button* on the remote until the LED indicator lights on the remote start to flash.
3. While the lights are still flashing, plug the unit back into the GFCI outlet.
4. The lights will stop flashing, and the remote is now paired with the unit.

# Remote Control (Cont'd)



## Remote Control (Cont'd)

### 1. Stop Button

Press to stop all operating functions.

### 2. Rear Wash / Move Button

Press once to initiate a 4-minute rear wash. Press again to initiate nozzle oscillation (repetitive forward and backward nozzle movement).

### 3. Front Wash / Move Button

Press once to initiate a 4-minute front wash. Press again to initiate nozzle oscillation (repetitive forward and backward nozzle movement).

### 4. Advanced Air Dryer Button

Press once to initiate a 4-minute warm air dry cycle. Press again to adjust between 3 fan speed settings (low, med, high).

**NOTE:** the unit will auto-flush when you initiate the warm air dryer. To deactivate the auto-flush before dry, go to page 21.

### 5. Flush Button

Press to flush the toilet.

**NOTE:** The toilet will automatically flush 6 seconds after you leave the seat.

### 6. Nozzle Position Button

Press to adjust the nozzle position forward and backward during a wash cycle. Settings will be saved for the next use.

### 7. Water Pressure Button

Press for 5 adjustable water pressures during wash. Settings will be saved for the next use.

### 8. Water Temperature Button

Press to adjust the outgoing water temperature to one of 6 settings—(OFF, Level 1 = 87.8°F / 31°C; Level 2 = 91.4°F / 33°C; Level 3 = 95.0°F / 35°C; Level 4 = 98.6°F / 37°C; Level 5 = 102.2°F / 39°C). Settings will be saved for the next use.

### 9. Dryer Temperature Button

Press to adjust the warm air dryer temperature between 4 levels. Settings will be saved for the next use.

**NOTE:** The dryer temperature will vary depending on the surrounding air temperature of the room.

### 10. Seat Temperature

Press to adjust the seat temperature to one of 6 settings—(OFF, Level 1 = 86.0°F / 30°C, Level 2 = 89.6°F / 32°C, Level 3 = 93.2°F / 34°C, Level 4 = 96.8°F / 36°C, Level 5 = 102.2°F / 39°C). Settings will be saved for the next use.

### 11. Nozzle Cleaning Button

Press to initiate a 2-minute automatic nozzle cleaning when not sitting, or when the seat sensor is deactivated. For more nozzle maintenance instructions, see page 28

### 12. Open/Close Lid Button

Press to open the lid. Press again to close. If both the lid and seat are up, pressing this button will close both the seat and lid and the toilet will flush.

**NOTE:** The unit comes defaulted with an auto-opening lid when you approach the seat. To deactivate this feature, go to page 23

### 13. Open/Close Seat Button

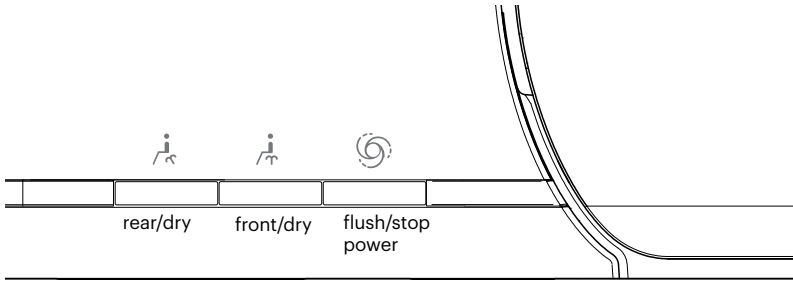
Press to open the lid and seat. Press again to close the seat only. The lid and/or seat will close automatically after 45 seconds when it no longer detects a user within a 3 feet radius.

### 14. Nightlight Button

Press to turn the toilet bowl nightlight on or off.

**NOTE:** This unit has an auto-sensing nightlight that will automatically turn on or off depending on the amount of light in the room.

## Auxiliary Control Panel



### Rear Wash / Dry

Press for an auto rear wash and dry function (see page 21 for further detail).

### Front Wash / Dry

Press for an auto front wash and dry function (see page 21 for further detail).

### Flush / Stop / Power

Press to stop all wash or dry functions. Press while not seated to initiate a flush. Press and hold 3 seconds to power off the unit when not seated.

### Light Sensor

This sensor detects the amount of surrounding light and activates the nightlight. If the room is dark, the nightlight will automatically turn on. If the room is light, the nightlight will automatically turn off.

## Using the Coit

**NOTE:** The Coit has a built in seat sensor. Wash and dry functions will not work unless the sensor in the seat detects someone sitting down. To override the seat sensor, please see the instructions on page 23.

### Prepare for Wash

Sit on the seat to ensure skin-to-seat contact on the seat sensor. Once contact is made, the seat will automatically:

1. Give an audible "beep" letting you know the seat sensor has been engaged.
2. Initiate a bowl-cleaning pre-rinse to prepare for use.
3. If the bidet was set to Eco Mode, the seat temperature will rise to the previously set temperature setting.

### Warm Water Wash

When ready to wash, press the *rear* or *front wash button* on the remote control one time to initiate a wash. The nozzle will

self-clean, extend into the toilet bowl, spray for 4 minutes, turn off automatically, retract, and self-clean once again.

1. While washing, users can adjust the water temperature, pressure, and nozzle position settings.
2. If you would like to stop the wash before the 4-minute cycle ends, press the *stop button* to discontinue water flow.

### Advanced Air Dry

Press the *advanced air dry button* to start a warm air drying cycle. The dryer will run for 4 minutes and turn off automatically.

1. While the air dryer is operating, users can press the *advanced air dry button* repeatedly to adjust the fan speed level between low, medium, or high.
2. The temperature can also be adjusted between 4 different levels using the *dryer temperature button*. The temperature setting will be illuminated on the LED indicator lights on the remote.
3. To stop the dryer during the cycle, press the *stop button*.

### Deodorizer

This unit is equipped with an automatic deodorizer that will turn on when the seat sensor is activated. The deodorizer will continue to run for 3 minutes after leaving the seat.

**NOTE:** The deodorizer will not turn on if the seat sensor is overridden. To turn off the automatic deodorizer, press and hold the *dryer temperature button* for 3 seconds. The unit will beep to confirm saved settings.

## Auto Mode, Pre-Rinse, Auto Flush, and Foot-Activated Button

### Auto Mode

Press the *rear or front wash button* on the auxiliary control panel to engage auto mode. During auto mode, the following wash parameters will be set:

- Seat temperature set to level 3
- Move (nozzle oscillation) turned on
- Water pressure set to level 3
- Water Temperature set to level 3
- Dryer temperature level set to level 3

Pressing the *rear or front wash button* on the auxiliary control panel during the wash cycle will stop the wash and start the drying function.

After the wash cycle is completed, auto mode will initiate a flush followed by a 4-minute warm air dry cycle on the auxiliary control panel. Pressing the *rear or front wash button* during the dry cycle will adjust the fan speed level.

**NOTE:** You can preselect desired wash and dry settings on the remote before starting Auto Mode, otherwise all settings will default to level 3.

### Pre-Rinse

When the seat sensor is activated, the unit will provide a pre-rinse to the toilet bowl to help combat debris buildup and staining. Press and hold the *up arrow button* for 3 seconds to deactivate this feature.

### Auto Flush

The auto flush mode is activated at the factory by default. The toilet will flush automatically when it detects a user has vacated the seat after 6 seconds or more.

To turn off auto flush mode, press and hold the *down arrow button* for 3 seconds. The unit will beep twice to confirm saved settings. To reactivate auto flush, repeat the step above. The unit will beep once to confirm saved settings.

### Auto Flush Before Dry

By default, the unit will flush when the advanced air dryer is activated. Press and hold the *advanced air dryer button* for 3 seconds to deactivate the flush before dry feature.

**NOTE:** The flush before dry feature will not work if a flush command has previously been made.

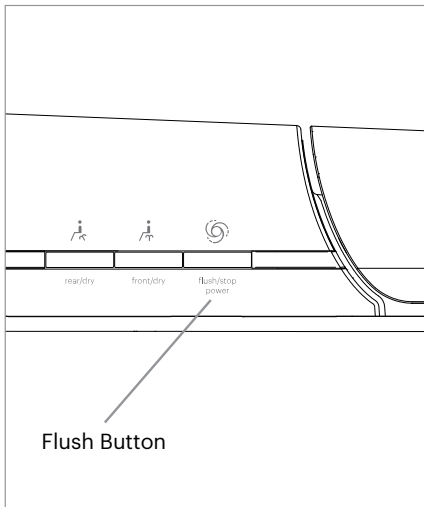
### Foot-Activated Button

The foot-activated button can be used to open the lid, open the seat, and engage a flush for a hands-free experience. Tap the button once to open the lid, tap the button again to open the seat, tap the button a third time to initiate a flush; the seat and lid will close before the flush cycle begins.

# Manual Flush, Eco Mode, and Nightlight

## Manual Flush

In the event of a power outage or remote malfunction, the flush control can be activated using the *flush button* located on the right side of the seat when seated on the toilet.



## Eco Mode

In Eco Mode, the seat temperature will be heated to 86°F / 30°C when the bidet is not in use. Once a person sits on the seat, it will revert to the last temperature setting used.

To turn on Eco Mode, press and hold the *water temperature button* for 3 seconds. The unit will beep indicating the setting has been saved.

## Nightlight

This unit has an auto-sensing nightlight that will automatically turn on or off depending on the sensitivity of light in the room. Press the nightlight button once to turn off auto-sensing nightlight. The nightlight will no longer turn on. Press the nightlight button again to reactivate auto-sensing nightlight.

Press and hold the nightlight button on the remote control for 3 seconds to permanently turn the nightlight on or off regardless of the light sensitivity in the room.

**NOTE:** the auto-sensing nightlight will not work if the nightlight is permanently turned on or off.

## Seat Sensor, Auto-Open Lid, and Silent Mode

### Seat Sensor

The seat sensor is activated at the factory by default. Press and hold the *open seat button* for 3 seconds to deactivate the seat sensor located in the seat. This allows the wash and dry functions to operate without the sensor being engaged. Use caution in this mode to avoid spraying water outside the toilet when not seated.

### Auto-Open Lid

By default, the lid will automatically open when the toilet is approached. Press and hold the *open lid button* for 3 seconds to deactivate this feature.

**NOTE:** The sensitivity of the auto-open lid may vary depending on the set-up and configuration of your bathroom.

The lid can still auto-open using the *open lid or open seat button* on the remote.

### Activating / Deactivating Silent Mode

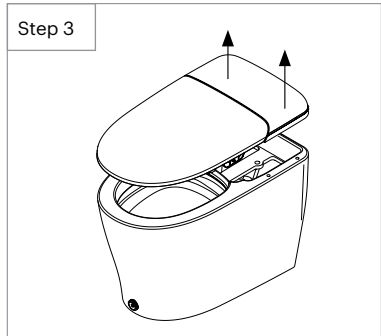
By default, the Coit will beep to confirm commands from the remote control and auxiliary control panel. Press and hold the *seat temperature button* for 3 seconds to activate Silent Mode. The unit will beep once to confirm the new setting. Press and hold the *seat temperature button* again for 3 seconds to deactivate Silent Mode. The unit will beep twice to confirm the new setting.

## Replacing the Emergency Flush Battery

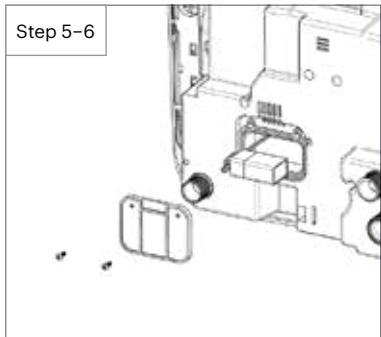
If there is no power to the unit and it does not flush using the *flush button* on the auxiliary control panel, then the battery may have died. Follow the instructions below to replace the 9V battery.

1. Turn the unit off and unplug the power cord.
  2. Shut off the water supply valve at the wall and disconnect the bidet hose and flush hose from the T-Valve.
- NOTE:** You will need a bucket or towel to catch residual water within the hoses and valve.
3. Remove the top bidet unit by grabbing the back-top corners of the bidet and gently, but firmly pull up and towards you to release the bidet from the ceramic base. Be careful not to damage any hoses, power cords, or connections as you remove the bidet.
  4. Disconnect all four hoses for easier access to the battery compartment.
  5. Use a Phillips-head screwdriver to release the screws and remove the cover.
  6. Gently disconnect the 9V battery from the terminal wire and replace with a new 9V battery. Ensure you have properly connected the battery to the correct polarities and replace the compartment cover.
  7. Reconnect all hoses to the bottom of the bidet. Make sure all connections are completely secure (refer to the Hose Connection Diagram on page 29 for proper hose connections).
  8. Feed the bidet hose, flush hose, and power cord back through the ceramic base cavity, ensuring none of the water supply hoses become pinched or kinked.
  9. Reinstall the bidet seat onto the ceramic base; evenly press down until you hear the bidet snap into place.
  10. Reconnect the flush hose and bidet hose to the T-Valve.
  11. Open the main water supply valve slowly and check for leaks at the T-Valve and the hose connections underneath the bidet. Wait 30 minutes and check for leaks again before plugging the unit back into the GFCI outlet.
  12. Press the *flush button* to check if the unit flushes. If the unit still does not flush, refer to Troubleshooting on page 34.

Step 3



Step 5-6



# Cleaning the Mesh Filters

## Cleaning the Mesh Filters

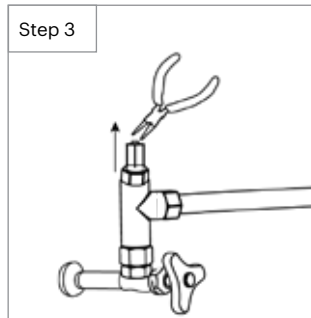
If your Coit seems to be experiencing a loss of water pressure, your mesh filters may be dirty or clogged and should be cleaned. Follow the steps below to clean the filters. If the pressure issue is not resolved after cleaning, see the Troubleshooting section at the end of this manual for other possible solutions.

### Cleaning the T-Valve Mesh Filter

1. Unplug the power cord from the wall outlet.
2. Shut off the water supply valve at the wall.
3. Disconnect the top bidet hose from the T-Valve only. Use pliers to remove the mesh filter.

**NOTE:** You will need a bucket or towel to catch residual water within the hoses and valve.

4. Clean the mesh filter with water and soft brush, then reinsert back into the T-Valve, with the "x" side facing up. Ensure the filter is pushed in all the way and reconnect bidet hose until secure.
5. Open the main water supply valve slowly and check for leaks at the T-Valve and the hose connections underneath the bidet. Wait 30 minutes and check for leaks again before plugging the unit back into the GFCI outlet.

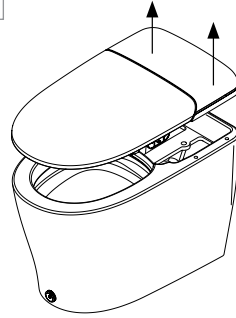


## Cleaning the Mesh Filters (Cont'd)

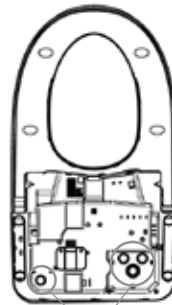
### Cleaning the Bidet Inlet Mesh Filters

1. Turn the unit off and unplug the power cord.
2. Shut off the water supply valve at the wall and disconnect the bidet hose and flush hose from the T-Valve. You will need a bucket or towel to catch residual water within the hoses and valve.
3. Remove the top bidet unit by grabbing the back-top corners of the bidet and gently, but firmly pulling up towards you to release the bidet from the ceramic base. Be careful not to damage any hoses, power cords, or connections as you remove the bidet.
4. Lift the bidet over to expose the bottom and locate the large flush water supply hose and bidet hose connections.
5. Disconnect the hoses and remove the mesh filters using pliers.
6. Clean the mesh filters with water and a soft brush, then reinsert back into the bidet inlets, with the "x" side facing up. Ensure the filters are pushed in all the way.
7. Reconnect the hoses and feed the bidet hose, flush hose, and power cord back through the ceramic base cavity, ensuring none of the water supply hoses become pinched or kinked (refer to the Hose Connection Diagram on page 29 for proper hose connections).
8. Reinstall the bidet seat onto the ceramic base; evenly press down until you hear the bidet snap into place.
9. Reconnect the flush hose and bidet hose to the T-Valve.
10. Open the main water supply valve slowly and check for leaks at the t-valve and the hose connections underneath the bidet.. Wait 30 minutes and check for leaks again before plugging the unit back into the GFCI outlet.

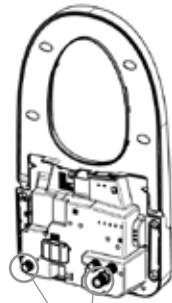
Step 3



Step 5



4 Hoses



2 Filters

# Cleaning the Deodorizer Vent

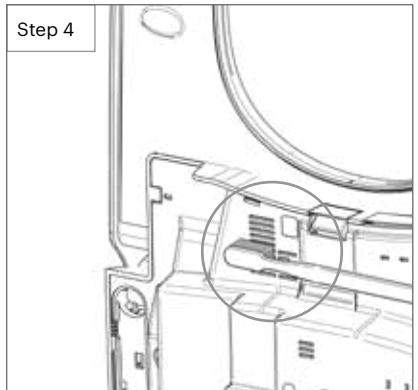
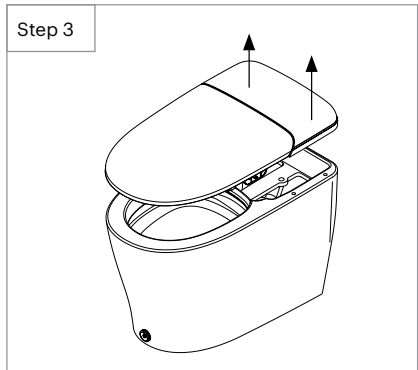
## Cleaning the Deodorizer Vent

The deodorizer has a vent cover that prevents dust and particles from flowing into the deodorizer filter. Over time, the vent may get covered with dust, which may affect the deodorizer's efficiency, so this should be checked and cleaned regularly.

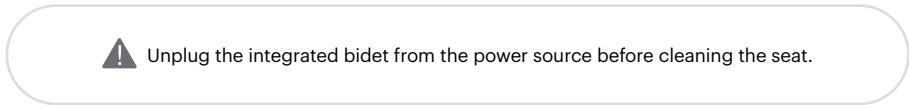
1. Turn the unit off and unplug the power cord.
2. Shut off the water supply valve at the wall and disconnect the bidet hose and flush hose from the T-Valve.

**NOTE:** You will need a bucket or towel to catch residual water within the hoses and valve.

3. Remove the top bidet unit by grabbing the back-top corners of the bidet and gently, but firmly pulling up towards you to release the bidet from the ceramic base. Be careful not to damage any hoses, power cords, or connections as you remove the bidet.
4. Using a soft cloth or toothbrush, gently brush the dust off the vent.
5. Feed the bidet hose, flush hose, and power cord back through the ceramic base cavity, ensuring none of the water supply hoses become pinched or kinked.
6. Reinstall the bidet seat onto the ceramic base; evenly press down until you hear the bidet snap into place.
7. Reconnect the flush hose and bidet hose to the T-Valve.
8. Turn on the water supply valve slowly and check for leaks. Wait 30 minutes and check for leaks again before plugging the unit back in.



# Cleaning the Seat and Nozzle

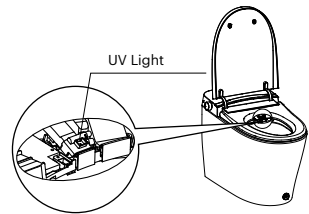


Use a soft, damp cloth and mild cleanser (such as dish soap, Simple Green or Windex) to wipe down the seat. **DO NOT** scrub or use harsh, abrasive products to clean. **DO NOT** use thinner, benzene, acidic chemicals, chloride, or hydrochloric acid detergent. This may result in corrosion to the metal parts or discoloration or scratches to the bidet body.

**NOTE:** Be cautious of leaving home and beauty products in contact with the bidet seat, the result of which can be irreversible discoloration. Most stains can be removed using a 1:1 mix of rubbing alcohol and water and a soft cloth or towel. However, some permanent stains are the result of substances left on the seat while the seat heater was activated. Be cautious of home and beauty products (including but not limited to various hair and air freshener sprays, lotions, body wash, skin tanners, body butters, and oils) that come in contact with the seat. Wash off any substances that come in contact with the seat as soon as possible.

## UV Nozzle Cleaning

This unit includes an ultra-violet (UV) light for intensive nozzle cleaning, which automatically activates 10 seconds after leaving the seat. The UV light will stay active for 3 minutes. If the seat is activated within the 3-minute timeframe, the UV light will shut off.

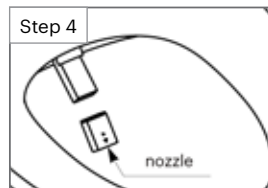
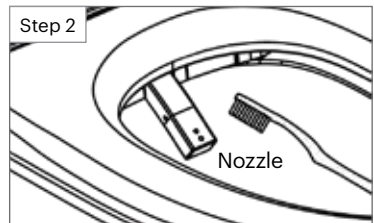


## Nozzle Cleaning (Manual)

1. Press and hold the *nozzle cleaning button* for 3 seconds and the nozzle will extend.

**NOTE:** The nozzle cleaning function will not work while the seat is occupied or if the seat sensor is turned off.

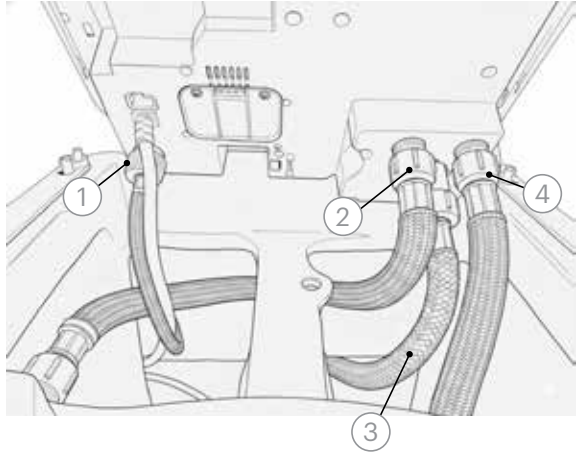
2. Gently clean the nozzle manually with a soft cloth or toothbrush. Do not forcefully hold or press down on the nozzle otherwise damage can occur.
3. The nozzle tip can be removed for deep cleaning.
4. The nozzle will automatically retract after 4 minutes.



# Hose Connection Diagram

## Water Supply Hoses

1. Bidet Hose
2. Bowl Rinse Hose
3. Main Flush Water Hose
4. Jet Flush Hose



## Flush Hose Connections

Use this guide to ensure the flush hoses are connected properly if at any point you need to disconnect the flush hoses.

1. Remove the top bidet unit by grabbing the back-top corners of the bidet and gently, but firmly pull up towards you to release the bidet from the ceramic base. Be careful not to damage any hoses, power cords, or connections as you remove the bidet.
2. Ensure the Bowl Rinse Hose is connected to the small inlet connection on the left when facing the Coit.
3. Ensure the Jet Flush Hose is connected to the small inlet connection on the right when facing the Coit.

**NOTE:** If the hose connections are switched the unit will not flush properly.

# Product Storage

## Product Storage

### Short Term Non-Use

If the product will not be used for more than a few weeks, you can simply unplug it. You may also consider shutting the water supply off at the wall for extra precaution.

### Long Term Non-Use

If the product will not be used for an extended time (longer than 4 months), you should unplug the unit and shut the water supply off at the wall.

**NOTE:** During winter, the water inside may freeze after long periods of storage and non-usage. Before connecting the product to the water supply and electrical outlet, allow it to defrost for 30 mins in a warm indoor environment. In case of extreme cold or freezing, wrap the water supply hose with a warm towel. Never pour hot water or use a hot air dryer directly on or in the bidet or toilet.

# Product Specifications

<b>Coit Integrated Smart Bidet Toilet</b>	
Model	KBT-900
Power Voltage	120 V (60 Hz)
Max Power Consumption	1050 W
Supply Water Pressure	35 psi–98 psi (0.24 MPa–0.67 MPa)
Dimensions (L x W x H)	26.9" x 15.11" x 18.58" (68.3 cm x 38.4 cm x 47.2 cm)
Weight	99.2 lb (45 kg)
Incoming Water Temperature	41° F–104° F (5°C–40°C)
Seat Weight Limit	440.93 lb (200 kg)
Lid Weight Limit	440.93 lb (200 kg)
<b>Warm water washing device</b>	
Rear wash	0.155 gal/min (0.59 L/min)
Front Wash	0.161 gal/min (0.61 L/min)
Default Cycle Time	4 minutes
Water Pressure Control	5 levels
Water Temperature Control	Level 1–87.8°F (31°C); Level 2–91.4°F (33°C); Level 3–95.0°F (35°C); Level 4–98.6°F (37°C); Level 5–102.2°F (39°C)
Max Heater Power Consumption	1050 W
Safety Devices	Butterfly Thermostat, Thermal Fuse, Flow Sensor
<b>Heated seat</b>	
Seat Temperature Control	6 levels: Level 1–Room Temp; Level 2–86°F (30°C); Level 3–89.6°F (32°C); Level 4–93.2°F (34°C); Level 5–96.8°F (36°C); Level 6–102.2°F (39°C)
Max Heater Power Consumption	40 W
Safety Devices	Thermal fuse
<b>Dryer</b>	
Dryer Cycle Time	4 minutes
Heater Power Consumption	400 W
Temperature Range	93.2°F - 131°F (34°C–55°C) (range will vary on surrounding air temperature)
Safety Devices	Thermal Fuse, Bi-Metal

# Product Specifications (Cont'd)

<b>Toilet</b>	
Flush Volume	1.28 gpf / 4.8 lpf
Flush Type	Powerful, Double-Stream Flushing
Rough-In	12"
<b>Remote</b>	
Type of Equipment	Radio Frequency Remote Control
Rate Power Supply	DC3V (2x 1.5V AAA battery)
Operating Frequency	2.4G
Modulation Type	GFSK

# Troubleshooting

If the bidet or flushing system appears to be operating abnormally, please review the troubleshooting tips before calling the Brondell Service Center as most issues are easily resolved with a few simple steps. If you are unable to resolve the issue after checking the following items, please visit [Brondell.com/Support](http://Brondell.com/Support) and complete our online Support Request form or call our Customer Support team for assistance at 1-888-542-3355, Mon-Fri, 8 a.m-2 p.m. PT

**Check Before Continuing:**

- Make sure the integrated bidet is connected to power and that the outlet is working properly.
- Make sure you check and test the reset button on the GFCI outlet (Standard 120V GFCI outlet).
- Make sure main water supply valve is open.
- Make sure the bidet is not in Eco Mode.
- Confirm there are no leaks from hoses or water supply.
- Make sure mesh filters are clean and free of build up or debris (see maintenance section on pages 25-26).
- After checking items above, refer to the following troubleshooting chart for additional solutions.

Problem	Possible Cause(s)	Solution(s)
The unit does not operate	<ol style="list-style-type: none"> <li>1. Power is off.</li> <li>2. Power plug is disconnected.</li> <li>3. There is not power to the outlet.</li> </ol>	<ol style="list-style-type: none"> <li>1. Press the stop / power button on the auxiliary control panel on the left side of the unit (when facing the unit).</li> <li>2. Ensure the plug is securely connected. Check and reset GFCI outlet</li> <li>3. Unplug the unit and plug another device into the outlet to make sure there is power.</li> </ol>
Wash feature and/or dry feature does not work.	<ol style="list-style-type: none"> <li>1. Seat is not occupied.</li> <li>2. If the wash feature only is not working, the water supply valve may be closed.</li> </ol>	<ol style="list-style-type: none"> <li>1. Most functions will not operate if the seat is not occupied. There is a sensor inside of the seat that recognizes touch. Please make sure there is nothing on the seat that may be blocking this sensor (e.g. toilet seat cover, toilet paper, etc.).</li> <li>2. Adjust sitting position to fully cover the seat sensor. (For seat sensor location, see page 10).</li> <li>3. If the wash feature only is not working, the water supply valve may be closed. Open the water supply valve.</li> </ol>
Remote control not working	<ol style="list-style-type: none"> <li>1. Batteries are dead.</li> <li>2. Remote control has lost connection with the unit.</li> </ol>	<ol style="list-style-type: none"> <li>1. Replace with (x2) new AAA batteries.</li> <li>2. Re-pair remote using pairing instructions on page 16.</li> </ol>

# Troubleshooting (Cont'd)

Problem	Possible Cause(s)	Solution(s)
Water pressure is weak	<ol style="list-style-type: none"> <li>1. Water pressure is set at the lowest level.</li> <li>2. Mesh filter(s) are clogged.</li> <li>3. Incoming water pressure used is under the minimum pressure suggested (35 psi / 0.24 MPa).</li> <li>4. Water supply valve is partially closed.</li> <li>5. Nozzle is dirty or clogged.</li> <li>6. Bidet hose is pinched or bent.</li> </ol>	<ol style="list-style-type: none"> <li>1. Adjust the water pressure setting to a higher level.</li> <li>2. Clean the mesh filter (see page 25-26).</li> <li>3. The available water pressure is 35-108 psi / 0.24 MPa-0.75 MPa</li> <li>4. Ensure the water supply valve at the wall is fully open.</li> <li>5. If nozzle is dirty or clogged, clean nozzle using maintenance instructions on page 28.</li> <li>6. Trace the bidet hose from the T-Valve to the toilet to ensure that the bidet hose is not pinched or bent.</li> </ol>
Water is not warm.	Water temperature is set to off or lowest level.	Adjust the water temperature setting to a higher level. You may also unplug the toilet for 10 minutes, then reconnect to the power source.
Seat is not warm.	<ol style="list-style-type: none"> <li>1. Seat temperature is set to off or lowest level.</li> <li>2. Eco Mode is activated.</li> <li>3. Bidet needs to be reset.</li> </ol>	<ol style="list-style-type: none"> <li>1. Adjust the seat temperature setting to a higher level.</li> <li>2. Deactivate Eco Mode and try again after 5 minutes (see page 22).</li> <li>3. Unplug the toilet for 10 minutes, then reconnect to the power source.</li> </ol>
Warm air dryer is not warm.	Dry temperature is set at the lowest level.	Adjust the dry setting to a higher level.
Auto Flush does not operate.	<ol style="list-style-type: none"> <li>1. There is no power to the outlet.</li> <li>2. Auto flush is deactivated.</li> </ol>	<ol style="list-style-type: none"> <li>1. Use the manual flush in the event of a power outage. Auto flush should function again once power is restored (see page 22).</li> <li>2. Reactivate auto flush mode (see page 21).</li> </ol>
Flush does not fully flush or refill.	<ol style="list-style-type: none"> <li>1. Water pressure is weak.</li> <li>2. Water supply valve is partially closed.</li> <li>3. Water pressure does not meet installation requirements.</li> </ol>	<ol style="list-style-type: none"> <li>1. Water pressure may drop when other household water supply is in use (Ex: another toilet flushing, shower, washer, etc). Wait and retry to flush.</li> <li>2. Ensure water supply valve is fully open.</li> <li>3. Confirm the incoming water supply meets the minimum operating water pressure of 35 psi / 0.24 MPa and incoming flow rate of 9.25 gal/min or more.</li> </ol>
Water flows into the bowl continuously.	<ol style="list-style-type: none"> <li>1. A power outage occurred during a flush or auto flush cycle.</li> <li>2. Bidet or flush hoses are installed incorrectly.</li> </ol>	<ol style="list-style-type: none"> <li>1. If a power outage occurs while the flush function is in use, the unit may continue to flush water. Close the water supply valve, unplug the unit, and stop use until electricity is recovered.</li> <li>2. Review the illustration on page 29 to ensure the hoses are properly connected.</li> </ol>

## Troubleshooting (Cont'd)

Problem	Possible Cause(s)	Solution(s)
Water does not come out of the nozzle.	<ol style="list-style-type: none"> <li>1. Water supply valve is closed.</li> <li>2. Water supply is turned off.</li> <li>3. Nozzle is dirty.</li> <li>4. Mesh filters are clogged.</li> <li>5. Bidet hose is pinched or bent.</li> </ol>	<ol style="list-style-type: none"> <li>1. Open the water supply valve.</li> <li>2. Re-open the water supply.</li> <li>3. Clean the nozzle (see page 28).</li> <li>4. Clean the mesh filters (see page 25-26).</li> <li>5. Trace the bidet hose from the T-Valve to the toilet to ensure that the bidet hose is not pinched or bent.</li> </ol>
Shuts off during use.	<ol style="list-style-type: none"> <li>1. Power plug is disconnected.</li> <li>2. There is no power to the outlet.</li> <li>3. Insufficient power supply.</li> </ol>	<ol style="list-style-type: none"> <li>1. Ensure the plug is securely connected.</li> <li>2. Check and reset GFCI outlet. Unplug the unit and plug another device into the outlet to make sure there is power.</li> <li>3. Confirm the power supply meets required specifications (see pages 5-6).</li> </ol>

# Regulatory and Safety Notices

## USA: Federal Communications Commission (FCC) Statement

This device complies with Part 15 of the FCC Rules. Operation is subject to the following two conditions:

1. This device may not cause harmful interference;  
and
2. This device must accept any interference, including interference that may cause undesired operation of the device.

## FCC Warning

Changes or modifications not expressly approved by the party responsible for compliance could void the user's authority to operate the equipment. This device should be installed and operated with minimum 20 cm between the radiator and your body. Note: This equipment has been tested and found to comply with the limits for a Class B digital device, pursuant to part 15 of the FCC Rules. These limits are designed to provide reasonable protection against harmful interference in a residential installation. This equipment generates, uses and can radiate radio frequency energy and, if not installed and used in accordance with the instructions, may cause harmful interference to radio communications. However, there is no guarantee that interference will not occur in a particular installation. If this equipment does cause harmful interference to radio or television reception, which can be determined by turning the equipment off and on, the user is encouraged to try to correct the interference by one or more of the following measures:

Reorient or relocate the receiving antenna.

- Increase the separation between the equipment and receiver.
- Connect the equipment into an outlet on a circuit different from that to which the receiver is connected.
- Consult the dealer or an experienced radio/TV technician for help.
- This device meets the FCC and IC requirements for RF exposure in public or uncontrolled environments.

## Canada: Industry Canada (IC) Statement

This device meets the IC requirements for RF exposure in public or uncontrolled environments.

IC Notice to Users English/French in accordance with current issue of RSS GEN:

This device complies with Industry Canada license exempt RSS standard(s).

Operation is subject to the following two conditions:

1. This device may not cause interference, and
2. This device must accept any interference, including interference that may cause undesired operation of the device.

# Warranty

Brondell products are backed by some of the most comprehensive warranties in the industry. Brondell warrants that all products (excluding consumable items) shall be free from defects in material and workmanship under normal use and service.

## **KBT-900 Residential 3-Year Limited Warranty**

- 100% Coverage of all parts and labor for the entire product (excluding consumable filters) for the first three years from original date of purchase

## **KBT-900 Commercial Warranty**

The warranty period is 1 year from original purchase date for all Brondell products. Warranties may not apply to products that are used for heavy commercial, hospital, or other high-use non-residential applications.

## **Exclusions and Limitations**

1. BRONDELL warrants its products to be free from manufacturing defects under normal use and service. This warranty is extended only to the ORIGINAL PURCHASER.
  2. BRONDELL's obligations under this warranty are limited to repairs or replacement, at BRONDELL's option, of products or parts found to be defective, provided that such products were properly installed and used in accordance with instructions. BRONDELL reserves the right to make such inspections as may be necessary to determine the cause of the defect. BRONDELL will not charge for labor or parts in connection with warranty repairs for the first year from date of purchase on all products except those that may be subject to commercial use limitations.
  3. BRONDELL is not responsible for the cost of removal, return (shipping) and/or re-installation of products.
  4. Variations in color and finish of all materials will occur naturally due to manufacturing processes are not considered manufacturing defects.
  5. Scratching, staining, gloss reduction, fading, and other effects from chemical use, water, and atmospheric conditions are not considered manufacturing defects, but are considered normal wear and tear.
- This warranty does NOT apply to:

- Damage or loss which occurs during shipment.
- Damage or loss sustained through any natural or man-made causes beyond the control of BRONDELL, including but not limited to fire, earthquake, floods, etc.
- Damage or loss resulting from sediments or foreign matter contained in a water system.
- Damage or loss resulting from negligent or improper installation including installation of a unit in a harsh or hazardous environment.
- Damage or loss resulting from removal, improper repair, modification of the product, or improper maintenance including damage caused by chlorine or chlorine-related products.
- Damage or loss resulting from electrical surges, electrical outages, lightning strikes, or other acts which are not the fault of Brondell, or which the product is not specified to tolerate.

6. This warranty gives you specific legal rights. You may have other rights which vary from state to state. THIS WRITTEN WARRANTY IS THE ONLY WARRANTY MADE BY BRONDELL. REPAIR OR REPLACEMENT AS PROVIDED UNDER THIS WARRANTY SHALL BE THE EXCLUSIVE REMEDY AVAILABLE TO THE PURCHASER. BRONDELL SHALL NOT BE RESPONSIBLE FOR LOSS OF USE OF THE PRODUCT OR FOR OTHER INCIDENTAL, SPECIAL, FOR CONSEQUENTIAL DAMAGES OR EXPENSES INCURRED BY THE PURCHASER OR FOR LABOR OR OTHER COSTS DUE TO INSTALLATION OR REMOVAL OR COSTS OF REPAIRS BY OTHERS, OR FOR ANY OTHER EXPENSE NOT SPECIFICALLY STATED ABOVE. EXCEPT TO THE EXTENT PROHIBITED BY APPLICABLE LAW, ANY IMPLIED WARRANTIES, INCLUDING THAT OF MERCHANTABILITY, ARE EXPRESSLY LIMITED TO THE DURATION OF THIS WARRANTY. SOME STATES DO NOT ALLOW LIMITATIONS, SO THE ABOVE LIMITATION AND EXCLUSION MAY NOT APPLY TO YOU.

## **How to Obtain Service**

To initiate a Brondell Warranty Claim, please visit [Brondell.com/Support](http://Brondell.com/Support) and complete our online Support Request form or call our Customer Support team for assistance at 1-888-542-3355, Mon – Fri, 8am – 2pm PST. Our dedicated Customer Support specialists will work with you to troubleshoot the issue, and depending on the results, will provide you with a Return Merchandise Authorization (RMA) number and a pre-paid shipping label, if applicable, for you to ship your Brondell product to our Service Center.

When returning your item to our Service Center, please ensure to include the RMA number and a copy of the original receipt as proof of purchase for proper identification and processing.

# Brondell®

Feels better already.

Brondell, Inc.  
PO Box 470085  
San Francisco, CA  
94147-0085

[www.brondell.com](http://www.brondell.com)

**For questions and additional resources, contact:**

Brondell Customer Support  
1-888-542-3355

[www.brondell.com/support](http://www.brondell.com/support)

**Manufactured By**

Brondell, Inc.  
PO Box 470085  
San Francisco, CA  
94147-0085

**Made in China**

**Please retain receipt records for any warranty claims.**

# Índice

Este manual contiene información de seguridad importante. Antes de utilizar el bidé, lea detenidamente este manual y guárdelo para consultarlo en el futuro.

## **SAFETY INFORMATION**

- 40** Información de seguridad

## **INFORMACIÓN DEL PRODUCTO**

- 45** Características del producto
- 47** Dimensiones del producto

## **INSTALACIÓN DEL PRODUCTO**

- 48** Piezas del producto
- 49** Piezas de instalación
- 50** Antes de la instalación
- 51** Instalación de la batería de descarga de emergencia
- 52** Instalación del Coit

## **FUNCIONAMIENTO DEL PRODUCTO**

- 54** Control Remoto
- 57** Panel de control auxiliar
- 58** Uso del Coit
- 59** Modo automático, prelavado, descarga automática y botón de activación con el pie
- 60** Descarga manual, modo ecológico y luz nocturna
- 61** Sensor del asiento, Tapa de apertura automática y Modo silencioso

## **MANTENIMIENTO**

- 62** Sustitución de la batería de descarga de emergencia
- 63** Limpieza del filtro de malla
- 65** Limpieza del asiento y de la boquilla
- 66** Limpieza de la ventilación del desodorante
- 67** Diagrama de conexión de mangueras
- 68** Almacenamiento del producto

## **INFORMACIÓN TÉCNICA**

- 69** Especificaciones del producto
- 71** Solución de problemas
- 74** Avisos normativos y de seguridad
- 75** Garantía
- 76** Información de contacto


## **TRADUCCIONES**


- 02** Inglés
- 77** Francés


# INFORMACIÓN DE SEGURIDAD (MEDIDAS DE SEGURIDAD IMPORTANTES)

## LEA TODAS LAS INSTRUCCIONES ANTES DE USAR

**ASEGÚRESE DE GUARDAR ESTA INFORMACIÓN DE SEGURIDAD. LÉALA PARA EVITAR LA PÉRDIDA DE BIENES Y GARANTIZAR LA SEGURIDAD.**

 **PELIGRO:** No acatar las siguientes advertencias puede provocar lesiones físicas graves o incluso la muerte.

 **ADVERTENCIA:** No acatar las siguientes advertencias puede provocar lesiones físicas graves o daños materiales.

 **PRECAUCIÓN:** No acatar las siguientes advertencias puede provocar lesiones físicas o daños materiales.



### **PELIGRO**

No acatar las siguientes advertencias puede provocar descarga eléctrica, incendio, lesiones personales, daños materiales o daños al producto.

- No utilice un enchufe dañado ni lo conecte en una toma de corriente suelta.
- No mueva el producto tirando del cable de alimentación.
- No manipule el producto ni el enchufe con las manos mojadas.
- Para evitar que se dañe o deforme, no doble el cable de alimentación a la fuerza ni coloque objetos pesados sobre él.
- No conecte y desconecte el enchufe ni el cable de alimentación repetidamente.
- Desconecte el producto antes de limpiarlo, repararlo, inspeccionarlo o sustituir piezas.
- Quite el polvo o el agua del enchufe antes de conectarlo.
- No conecte el producto en un tomacorriente o regleta que esté en uso por demasiados otros productos. Utilice un tomacorriente adecuado para la potencia del producto, con un mínimo de 15 amperios.
- Si el cable de alimentación está dañado, no utilice el producto y no intente reparar, modificar ni sustituir el cable por su cuenta. Póngase en contacto con el centro de servicio de Brondell mediante llamada gratuita al 888- 542-3355 o envíenos un correo electrónico a través de nuestro sitio web.
- Si el producto genera un ruido extraño, un olor a quemado o emite humo, desconéctelo inmediatamente del tomacorriente y póngase en contacto con Brondell. Si no lo hace, puede provocar una descarga eléctrica o un incendio.
- No introduzca cables ni objetos afilados en los huecos del producto. Esto puede provocar una descarga eléctrica, un incendio o daños en el producto.
- No coloque un calentador electrónico o de gas cerca del producto ni deseche en el inodoro materiales encendidos, tales como cigarrillos. Esto puede provocar un incendio o la deformación del producto. No coloque sobre el producto ningún recipiente con agua ni otros líquidos, alimentos, objetos metálicos o materiales inflamables. Si se introduce algún material extraño en el producto, esto puede provocar una descarga eléctrica o un incendio.

# INFORMACIÓN DE SEGURIDAD (MEDIDAS DE SEGURIDAD IMPORTANTES)



## PELIGRO

No acatar las siguientes advertencias puede provocar descarga eléctrica, incendio, lesiones personales, daños materiales o daños al producto.

- No utilice el producto en lugares expuestos a exceso de humedad ni salpique agua sobre el producto.
- Mientras limpia el cuarto de baño, retire el enchufe del tomacorriente y tenga precaución para asegurarse de que ni agua ni productos de limpieza salpiquen el bidé. Si no lo hace, puede provocar una descarga eléctrica o un incendio.
- Si algún material extraño entra en el producto, retire el enchufe del tomacorriente, cierre la válvula principal de agua y llame al centro de servicio de Brondell.
- No desarme, repare ni modifique el producto por su cuenta.
- No utilice el producto si usted se ha mojado tras haber tomado un baño o una ducha.
- No coloque ni guarde el producto donde pueda caer o ser jalado al interior de una tina o lavabo.
- No coloque ni deje caer el producto en agua ni ningún otro líquido.
- No intente agarrar el producto si ha caído al agua. Desconecte el producto inmediatamente y llame al centro de servicio de Brondell.
- No utilice el producto si no está funcionando correctamente. Desconéctelo inmediatamente, cierre la válvula principal de suministro de agua y llame al centro de servicio de Brondell al 888-542-3355. Si no lo hace, puede provocar una descarga eléctrica, un incendio o derrames.



## ADVERTENCIA

No acatar las siguientes advertencias puede provocar descarga eléctrica, incendio, lesiones personales, daños materiales o daños al producto.

- No conecte, no utilice ni guarde la unidad en lugares donde se usen o se guarden materiales inflamables o combustibles.
- No utilice aguas industriales ni residuales para el suministro, ya que esto puede causar daños en la piel o enfermedades.
- Cierre la válvula principal de suministro de agua al realizar la limpieza.
- En el caso de niños y personas mayores que pudieran tener dificultades para ajustar temperaturas o quienes tienen piel sensible o alteración en la sensibilidad térmica, ajuste la temperatura del rociado de lavado y del asiento a un nivel "bajo" o "apagado" para evitar quemaduras.
- Es necesaria una estrecha supervisión cuando este producto sea usado por niños, personas mayores o personas que requieran asistencia general.
- No oprima los botones con fuerza excesiva.
- No se pare ni coloque algún objeto pesado sobre la tapa del asiento.
- Use este producto solo para el fin que está diseñado, según se describe en este manual. No utilice accesorios que no sean recomendados por Brondell.

# INFORMACIÓN DE SEGURIDAD (MEDIDAS DE SEGURIDAD IMPORTANTES)



## ADVERTENCIA

No acatar las siguientes advertencias puede provocar descarga eléctrica, incendio, lesiones personales, daños materiales o daños al producto.

- Nunca utilice este producto si tiene un cable o enchufe dañado, si no funciona correctamente, si se ha caído o dañado, o si ha caído al agua. Comuníquese con el centro de servicio de Brondell para solicitar una revisión y reparación.
- Mantenga el cable alejado de superficies calientes y de conductos de calefacción.
- Nunca bloquee las aberturas de ventilación del producto ni lo coloque sobre una superficie blanda, tal como una cama o un sillón, donde las aberturas de ventilación pudieran quedar bloqueadas. Mantenga las aberturas de ventilación libres de pelusa, cabello, etc.
- Nunca deje caer ni inserte objeto alguno en alguna abertura o manguera.
- No utilice el producto en exteriores ni donde se estén usando productos en aerosol (rociadores) o donde pueda estar expuesto a oxígeno.
- Conecte este producto únicamente a un tomacorriente con una correcta conexión a tierra. Consulte las instrucciones de conexión a tierra en las siguientes páginas del manual.



## PRECAUCIÓN

No acatar las siguientes advertencias puede provocar descarga eléctrica, incendio, lesiones personales, daños materiales o daños al producto.

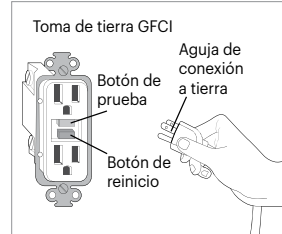
- No conecte el suministro principal de agua a la tubería o suministro de agua caliente (conéctelo únicamente al suministro de agua fría).
- Después de la instalación, asegúrese de revisar todas las conexiones de suministro de agua para ver si presentan fugas. Las arandelas de goma se deberán colocar donde corresponde para las mangueras de conexión de agua y la válvula en T.
- No abra ni cierre el asiento o la tapa del asiento con fuerza excesiva.
- Tenga cuidado de que la orina no entre en contacto con el producto. No hacerlo así puede provocar malos olores o mal funcionamiento.
- Si el producto no se utilizará por un período de tiempo prolongado, desconecte el cable de alimentación, cierre la válvula principal de suministro de agua y vacíe el agua restante del tanque de agua.
- No saque la manguera del bidé con fuerza excesiva.
- No use líquido disolvente, benceno, compuestos químicos ácidos, cloro ni detergente con ácido clorhídrico en el producto o cerca de este. Esto puede provocar corrosión en las partes metálicas, así como decoloración o rayaduras en el cuerpo del bidé.
- Este aparato no está diseñado para que lo utilicen personas (incluidos niños y personas mayores) con discapacidades físicas, sensoriales o mentales, o carentes de experiencia y conocimiento, a menos que una persona responsable de su seguridad les haya brindado supervisión o entrenamiento con respecto al uso del aparato.
- Se deberá supervisar a los niños para asegurarse de que no jueguen con el aparato.

# INFORMACIÓN DE SEGURIDAD (MEDIDAS DE SEGURIDAD IMPORTANTES)

## Instrucciones de conexión a tierra y tomacorriente tipo GFCI

Este producto solo se debe usar con un tomacorriente tipo GFCI (interruptor de falla a tierra) con conexión a tierra y con un cable eléctrico con enchufe de tres patas como se muestra a la derecha. En caso de un cortocircuito eléctrico, el uso de un tomacorriente tipo GFCI con conexión a tierra reduce el riesgo de descarga eléctrica.

Este producto está equipado con un cable con conexión a tierra. Se debe usar solamente en un circuito nominal de 120 V (mínimo de 15 amperios) y se debe conectar a un tomacorriente que tenga una correcta conexión a tierra con un interruptor GFCI tal como se muestra. Si el cable que tiene está dañado, reemplácelo o repárelo de inmediato.



### USO INCORRECTO DE LA ENCHUFE CON CONEXION A TIERRA RESULTA EN UN RIESGO DE DESCARGA ELÉCTRICA.

- Si es necesario reparar o reemplazar el cable o el enchufe, no conecte el cable a tierra a ninguno de los terminales de hoja plana.
- El cable con aislamiento verde (ya sea con o sin raya amarilla) es el cable de puesta a tierra. Consulte con un calificado electricista si las instrucciones de conexión a tierra no están completamente entendido, o si hay dudas sobre si el producto está correctamente conectado a tierra.

# INFORMACIÓN DE SEGURIDAD (MEDIDAS DE SEGURIDAD IMPORTANTES)

## Instrucciones opcionales de conexión a tierra

Este producto es para uso en un circuito nominal de 120 V y tiene un enchufe con conexión a tierra que se parece al enchufe ilustrado en el croquis A de la figura 1.

Se puede utilizar un adaptador temporal, que se parece al adaptador ilustrado en los croquis B y C, para conectar este enchufe a un receptáculo de 2 polos como se muestra en el croquis B si no se dispone de una toma de corriente con conexión a tierra adecuada.

El adaptador temporal solo debe utilizarse hasta que un electricista cualificado pueda instalar una toma de corriente con toma de tierra adecuada (croquis A).

La oreja rígida de color verde, el terminal o similar que se extiende desde el adaptador debe conectarse a una toma de tierra permanente, como una cubierta de caja de toma de corriente con toma de tierra adecuada. Siempre que se utilice el adaptador, debe sujetarse con el tornillo.

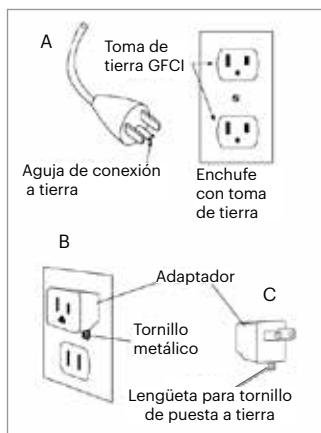


Figure 1

## Características del producto

### Características del bidé

#### Boquilla autolimpiable y retráctil

La función de autolimpieza proporciona a la boquilla un enjuague de limpieza a demanda. La limpieza profunda es fácil gracias a la boquilla desmontable.

#### Lavado posterior y frontal con agua caliente

Configuraciones ajustables de temperatura, posición, presión y oscilación.

#### Posicionamiento de la boquilla

La boquilla ajustable de 5 posiciones garantiza un lavado cómodo y completo.

#### Mando a distancia inalámbrico y soporte

Seleccione fácilmente las funciones, los ajustes de pulverización y mucho más. Pilas incluidas.

#### Temperatura y presión del agua ajustables

Los modos de lavado frontal, posterior y fuerte tienen 6 configuraciones de temperatura del agua y 5 configuraciones de presión del agua disponibles

#### Secador de aire caliente

Configuración de temperatura ajustable en 4 niveles para una experiencia de secado con manos libres, así como para la reducción o eliminación del uso de papel higiénico

#### Oscilación de la boquilla

La función de movimiento ofrece una limpieza oscilante y masajeadora durante el ciclo de lavado, lo que garantiza un lavado completo y cómodo.

#### Descarga automática

El inodoro se vaciará automáticamente cuando el asiento deje de detectar a un usuario.

#### Asiento de inodoro calefactable

Ajuste la temperatura del asiento con 6 niveles.

#### Luz nocturna LED de detección automática

Aumente la seguridad por la noche con la luz nocturna automática y la opción de encendido/apagado.

#### Tapa de apertura/cierre automático y asiento con control remoto

Disfrute de una experiencia higiénica con la tapa y el asiento automáticos.

#### Botón higiénico activado con el pie

Esta práctica función abre el asiento y la tapa, e inicia la descarga sin necesidad de tocar el inodoro con las manos.

#### Modo ecológico

Reduce automáticamente la temperatura del asiento para ahorrar energía cuando está activado.

#### Desodorante de carbón incorporado

Reduce automáticamente los olores con un ciclo de filtración de aire de 3 minutos.

#### Limpieza UV de la boquilla

La luz UV automática proporciona una limpieza instantánea de la boquilla después de cada uso.

#### Limpieza de la boquilla

Active la limpieza automática o manual de la boquilla.

#### Sistema de calentamiento de agua de cerámica

El sistema de calentamiento instantáneo de cerámica proporciona un flujo interminable de agua caliente para los lavados.

#### Instalación sencilla con soportes de montaje seguros y de fijación rápida

Diseñado para ser instalado sin herramientas especializadas o llamar a un plomero.

## **Características del producto (continuación)**

### **Características de la taza:**

Cerámica con revestimiento protector integrado

Altura del asiento: 420 mm (16.5")

Forma de taza alargada

Carcasa de 305 mm (12")

### **Características del sistema de descarga:**

Descarga automática y manual

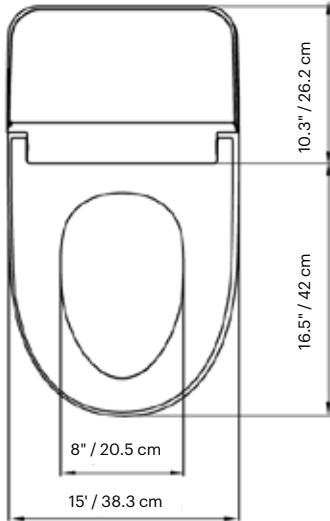
Prelavado para limpieza de taza

Descarga de doble chorro y sifón potente

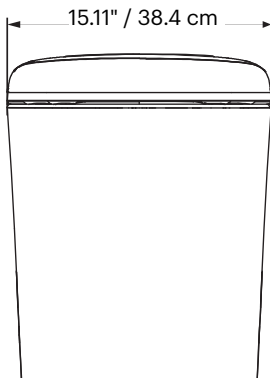
4,8 litros (1,28 galones) por descarga

# Dimensiones del producto

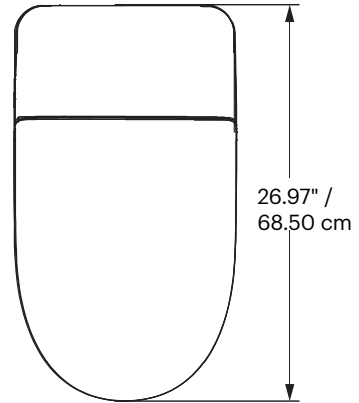
Vista superior con tapa abierta



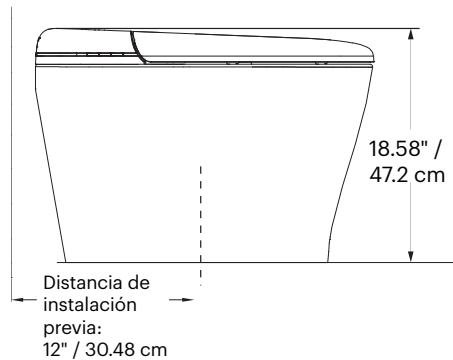
Vista frontal



Vista superior con tapa cerrada

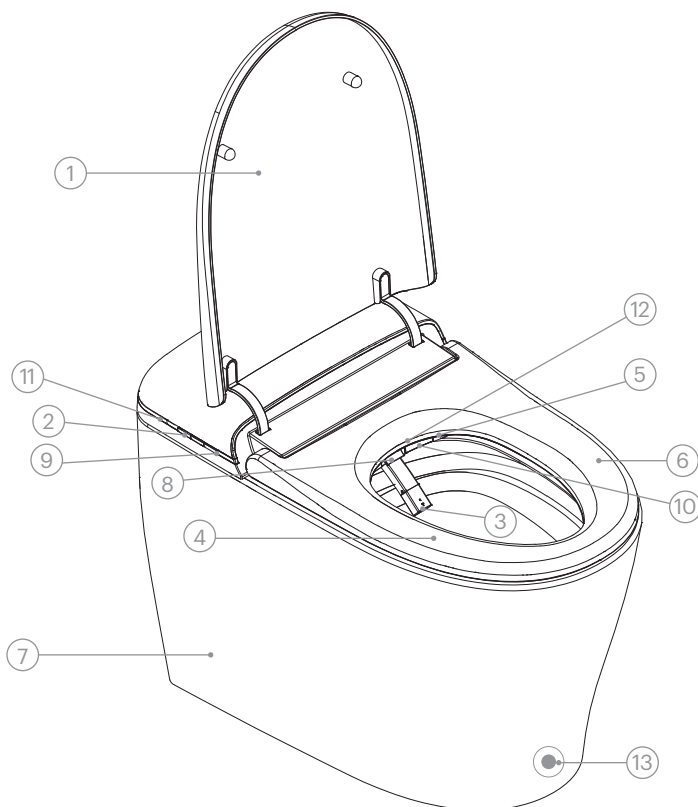


Vista de perfil lateral



## Piezas del producto

1. Tapa
2. Panel de control auxiliar
3. Ensamble de la boquilla
4. Asiento calefactable
5. Luz nocturna LED
6. Área del sensor del asiento
7. Tapa del tapón (en la taza de cerámica)
8. Salida del secador de aire avanzado
9. Botón de descarga manual
10. Salida del desodorante
11. Sensor de luz
12. Luz UV
13. Botón activado con el pie



## Piezas de instalación

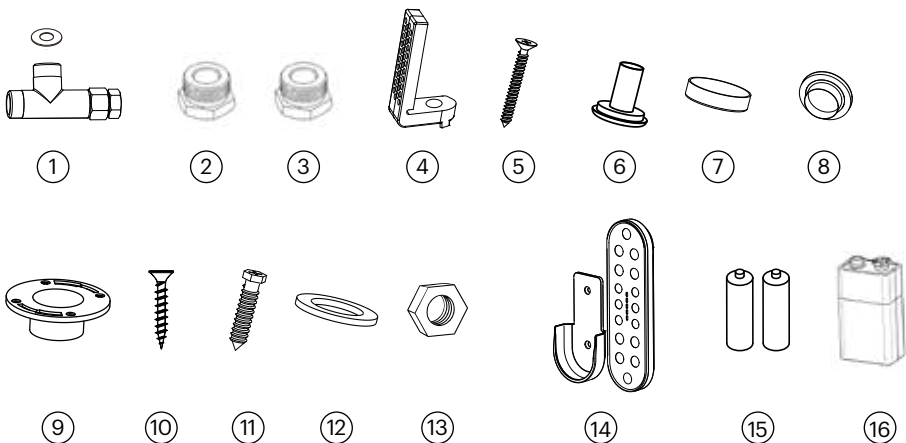
### Piezas incluidas

1. Válvula en T con arandela plana de 1/2" x 1/2" x 11/16-20UN
2. Adaptador 11/16-20UN a 3/8" con arandela plana
3. Adaptador 11/16-20UN a 1/2" con arandela plana
4. Soportes de montaje (2)
5. Tornillos de los soportes de montaje (2)
6. Tapones roscados (2)
7. Tapones de cierre (2)
8. Junta de cera para inodoro
9. Brida de suelo
10. Tornillos de la brida del suelo (4)
11. Pernos de montaje del inodoro (2)
12. Arandelas de los pernos de montaje del inodoro (2)

13. Tuercas de los pernos de montaje del inodoro (2)
14. Control Remoto con Montaje en Pared
15. Baterías AAA (2)
16. Batería de 9 V

### Los siguientes elementos están preinstalados y no se muestran:

17. Manguera de suministro de agua del bidé
18. Mangueras de suministro de agua de descarga (3)
19. Filtro de malla de la válvula en T
20. Filtro de malla de entrada de bidé
21. Filtro de malla para manguera de descarga de 7/8



### Piezas y herramientas necesarias para la instalación (no incluidas)

1. Tope angular de junta deslizante de 7/16" (válvula de pared) con la tuerca de compresión quitada para exponer roscas MIP de 1/2"
2. Receptáculo GFCI (cableado en la pared y comprobado)
3. Llave ajustable
4. Destornillador de estrella
5. Pistola de silicona (opcional)
6. Manómetro de agua (opcional)

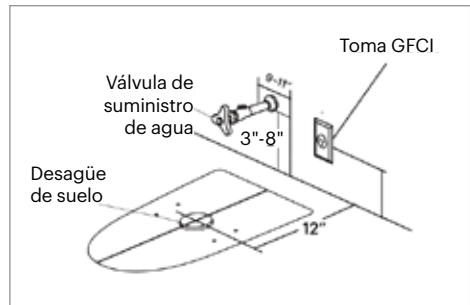
## Antes de la instalación

**NOTA IMPORTANTE:** lea toda esta lista de instrucciones y haga un inventario de las piezas incluidas antes de comenzar la instalación. Si tiene alguna pregunta, llame al Servicio de atención al cliente al 1-888-542-3355 antes de comenzar la instalación.

Se necesita una toma eléctrica GFCI cerca del inodoro para suministrar corriente. Asegúrese de que el faldón del inodoro no interfiere con el punto de suministro de agua. Debido a la naturaleza de este producto, se recomienda recurrir a un plomero para la instalación.

1. Antes de desembalar este producto, asegúrese de que las dimensiones de la instalación son las siguientes:

- La línea central del desagüe del suelo debe estar a 12" de la pared posterior acabada. No incluya el grosor de ninguna moldura de zócalo al tomar esta medida.
- Localice la plantilla de instalación incluida titulada "Confirme las dimensiones antes de desembalar". Coloque la plantilla de instalación suministrada en el suelo y trace el contorno con un rotulador para confirmar la dimensión inicial; retire la plantilla de instalación antes de instalar la unidad.
- La línea central del tope angular (válvula de suministro de agua) debe estar a 3"-8" por encima del suelo acabado y a 9"-11" a la izquierda de la línea central del desagüe del suelo. El tope angular deberá tener una rosca MIP de 1/2" o 3/8" para conectarse a la válvula en T incluida.



2. Confirme la presión del agua:

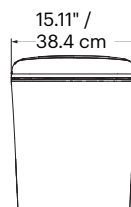
La presión mínima de agua para el funcionamiento es de 35 psi / 0,24 MPa. Si la presión de agua es inferior a 35 psi / 0,24 MPa y el caudal de entrada es menor a 9,25 gal/min a 35 psi, la unidad podría presentar problemas con el mecanismo de descarga. Utilice un manómetro (no incluido) para comprobar que la presión de agua sea la adecuada antes de la instalación.

3. Asegúrese de que hay espacio suficiente para instalar correctamente la unidad.

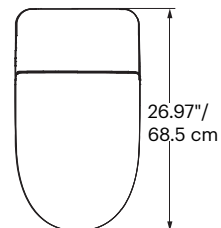
### Confirme las dimensiones del producto con el espacio de instalación



Vista de perfil lateral



Vista frontal

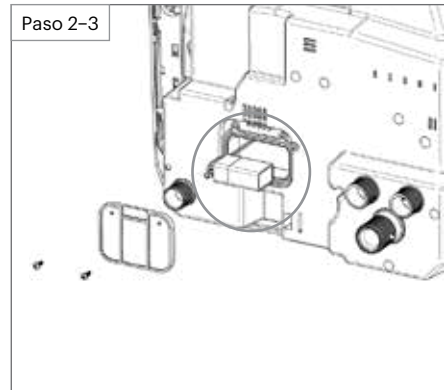
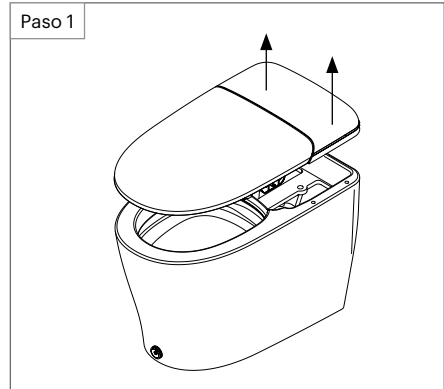


Vista superior

## Instalación de la batería de descarga de emergencia

En caso de pérdida de alimentación eléctrica de Coit, puede utilizarse el botón de descarga situado en el panel de control auxiliar para vaciar manualmente el inodoro. Siga las instrucciones siguientes para instalar la batería de 9 V debajo del asiento del bidé antes de proceder a la instalación de Coit.

1. Retire la unidad superior del bidé agarrando las esquinas traseras superiores del bidé y tire suavemente, pero con firmeza, hacia arriba y hacia usted para quitar el bidé de la base de cerámica. Tenga cuidado de no dañar ninguna manguera, cable de alimentación o conexión mientras retira el bidé.
2. Utilice un destornillador de estrella para aflojar los tornillos y retirar la tapa.
3. Conecte la batería de 9 V incluida al cable terminal. Asegúrese de haber conectado correctamente la batería con las polaridades correctas y vuelva a colocar la tapa del compartimento de la batería.
4. Vuelva a introducir la manguera del bidé, la manguera de descarga y el cable de alimentación a través de la cavidad de la base cerámica, asegurándose de que ninguna de las mangueras de suministro de agua quede pellizcada o doblada.
5. Vuelva a instalar el asiento del bidé en la base de cerámica; presione uniformemente hacia abajo hasta que oiga que el bidé encaja en su sitio.



## Instalación del Coit

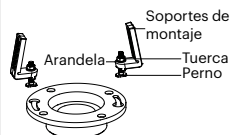
**ALTAMENTE RECOMENDADO:** Utilice dos o más personas para completar el paso 3, ya que la taza es muy pesada y puede ser difícil de maniobrar correctamente o causar lesiones.

1. Instale los soportes de montaje en la brida del suelo utilizando los pernos de montaje del inodoro, la arandela metálica y la tuerca. Apriete las tuercas a mano. Utilice una llave para apretar las tuercas un cuarto de vuelta más allá del apriete manual.

**NOTA:** con el kit de instalación se incluye una nueva brida de suelo y pernos de montaje. Sustituya la brida de suelo y los pernos antiguos si es necesario.

2. Coloque la junta de cera para inodoros en el orificio de desagüe, debajo de la taza de cerámica.
3. Con la ayuda de dos o más personas, instale con cuidado la taza de cerámica, alineándola sobre los bloques de montaje y el desagüe del inodoro. Presione uniformemente sobre el inodoro para asegurarse de que la junta de cera del inodoro está en pleno contacto con el suelo.
4. Inserte los tapones roscados a ambos lados de la base de cerámica.
5. Instale los tornillos del soporte de montaje a través de los tapones roscados de ambos lados del inodoro con un destornillador de cabeza Phillips, asegurándose de que los tornillos queden bien apretados. Tenga cuidado de no apretarlos demasiado, ya que podrían dañarse o agrietarse.
6. Instale las tapas de los tapones.

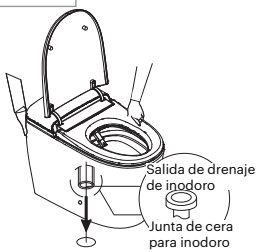
### Paso 1



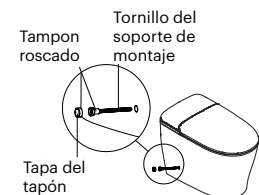
### Paso 2



### Paso 3

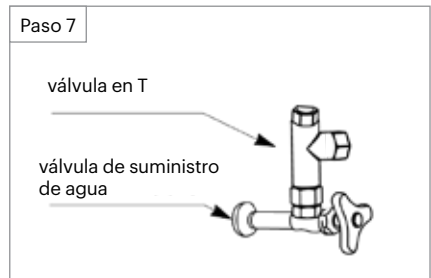


### Paso 4-6

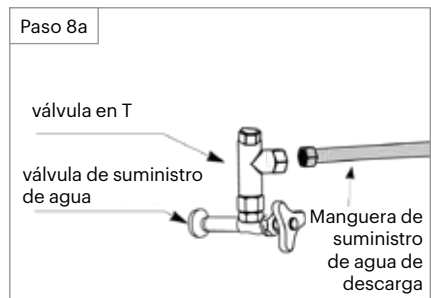


## Instalación del Coit (continuación)

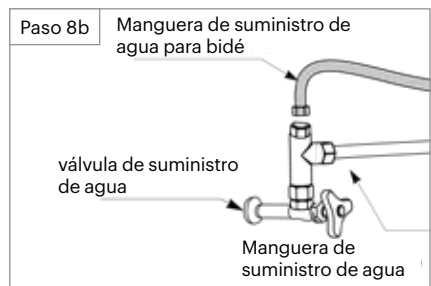
7. Instale la arandela y la válvula en T de 1/2" en la válvula principal de suministro de agua de su pared (Utilice un adaptador de 3/8" o 1/2" dependiendo del tamaño de su conexión).
8. Conecte las mangueras de suministro de agua.
  - a. Conecte la manguera de suministro de agua de descarga al lado de la válvula en T y fíjela.
  - b. Conecte la manguera de suministro de agua del bidé a la parte superior de la válvula en T y fíjela.



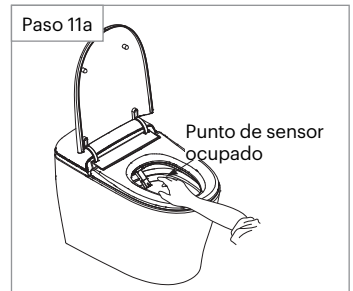
9. Abra el suministro de agua.
  - a. Abra lentamente la válvula principal de suministro de agua y verifique que no haya fugas en la válvula T y en las conexiones de la manguera debajo del bidé.
  - b. Espere 30 minutos, compruebe de nuevo y, si no hay fugas, continúe.
10. Enchufe el cable de alimentación a una toma de corriente GFCI.
  - a. Una vez encendida, la unidad realizará una prueba de diagnóstico inicial; las luces se encenderán, la boquilla se extenderá y el agua correrá por el sistema. Una vez que las luces se apaguen, la prueba de diagnóstico habrá finalizado.



**NOTA:** asegúrese de utilizar únicamente una toma de corriente GFCI (interruptor de circuito por fallo a tierra) con toma de tierra, ya que en caso de cortocircuito, una toma GFCI con toma de tierra puede ayudar a evitar descargas eléctricas o lesiones.



11. Pruebe el inodoro bidé inteligente integrado Coit.
  - a. Asegúrese de que todas las funciones funcionan correctamente colocando la mano en la zona del sensor del asiento para activar la unidad. Compruebe las funciones de lavado posterior y frontal, incluida la presión del agua, el ajuste de la posición de la boquilla y el ajuste de la temperatura del agua. **NOTA:** utilice la mano o una taza para bloquear el rociador y evitar que el agua salga fuera del inodoro.



**NOTA:** después de probar las funciones, se sugiere colocar masilla de silicona alrededor de la base del inodoro para asegurar un sellado adecuado. Espere al menos 24 horas antes de utilizar el inodoro tras aplicar la silicona.

## Control remoto

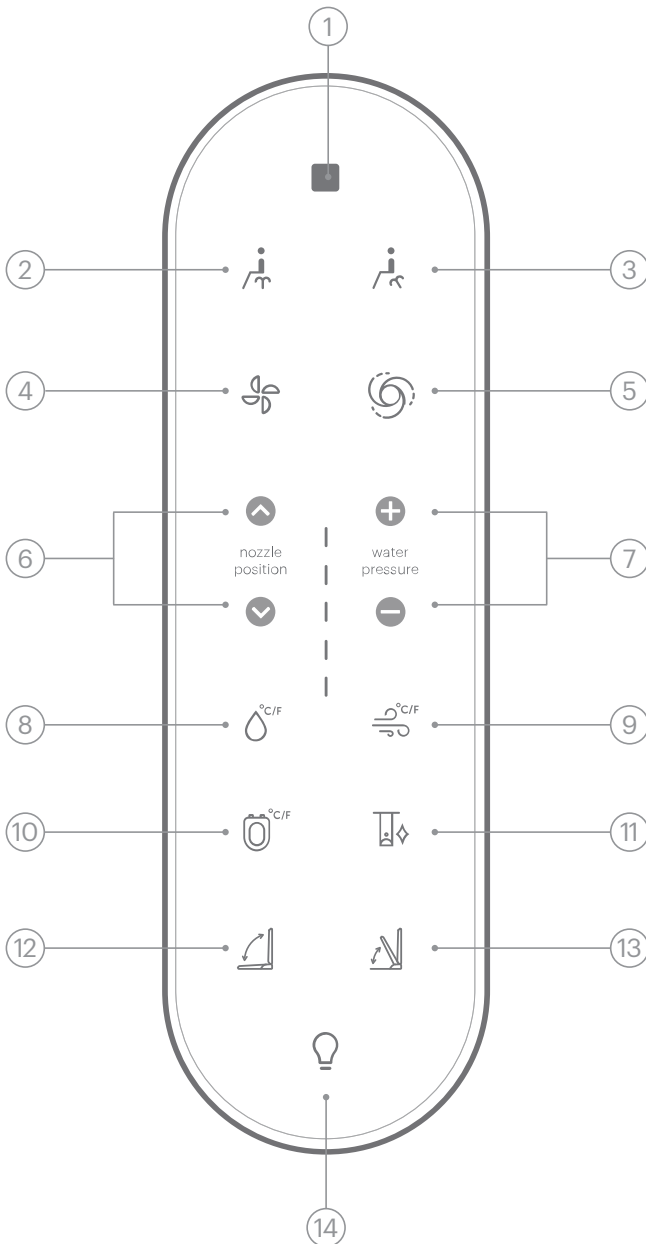
1. Inserte las baterías AAA.
  - a. Abra la tapa del compartimiento de las baterías en la parte trasera del control remoto tirando hacia abajo de la lengüeta para soltar la tapa.
  - b. Inserte dos baterías AAA (incluidas), asegúrese de que las baterías estén instaladas correctamente.
  - c. Vuelva a colocar la tapa del compartimiento de la batería.
2. Montaje del control remoto (opcional)
  - a. Identifique un lugar en el cuarto de baño para el control remoto de modo que sea visible y esté al alcance desde el inodoro.
  - b. Utilice los tornillos de montaje incluidos o despegue la cinta adhesiva de la parte posterior del soporte del control remoto. Presione firmemente el soporte en la ubicación para asegurarse de que no se caiga y dañe el control remoto.

**NOTA:** el control remoto viene sincronizado con el producto por defecto de fábrica. Si el control remoto no funciona correctamente, vuelva a comprobar las pilas o sincronicelo de nuevo siguiendo las instrucciones de sincronización del control remoto a distancia que se indican a continuación.

### Instrucciones para la sincronización a distancia

1. Desenchufe la unidad.
2. Mantenga pulsado el botón de detención del control remoto hasta que las luces indicadoras LED empiecen a parpadear.
3. Mientras las luces sigan parpadeando, vuelva a enchufar la unidad a la toma GFCI.
4. Las luces dejarán de parpadear y el control remoto estará ahora sincronizado con la unidad.

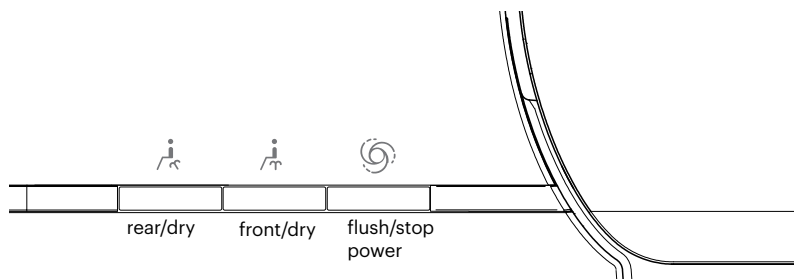
# Control remoto (continuación)



## Control remoto (continuación)

1. **Botón de detención**  
Detiene todas las funciones de lavado y secado que se estén ejecutando en el momento.
2. **Botón de lavado posterior/movimiento**  
Presione una vez para iniciar un lavado posterior de 4 minutos. Presione nuevamente para iniciar la oscilación de la boquilla (movimiento repetitivo de la boquilla hacia adelante y hacia atrás).
3. **Botón de lavado frontal/movimiento**  
Presione una vez para iniciar un lavado frontal de 4 minutos. Presione nuevamente para iniciar la oscilación de la boquilla (movimiento repetitivo de la boquilla hacia adelante y hacia atrás).
4. **Botón de secado de aire avanzado**  
Púlselo una vez para iniciar un ciclo de secado con aire caliente de 4 minutos. Púlselo de nuevo para ajustar entre 3 configuraciones de velocidad del ventilador (baja, media, alta).  
**NOTA:** la unidad se vaciará automáticamente cuando inicie el secado con aire caliente. Para desactivar la descarga automática antes del secado, consulte la página 59.
5. **Botón de descarga**  
Púlselo para vaciar el inodoro.  
**NOTA:** el inodoro se vaciará automáticamente 6 segundos después de que usted abandone el asiento.
6. **Botón de posición de la boquilla**  
Púlselo para ajustar la posición de la boquilla hacia delante y hacia atrás durante un ciclo de lavado. Los ajustes se guardarán para el siguiente uso.
7. **Botón de presión del agua**  
Pulse para ajustar 5 presiones de agua durante el lavado. Los ajustes se guardarán para el siguiente uso.
8. **Temperatura del Agua**  
Toque para ajustar la temperatura del agua saliente a una de las 6 configuraciones (Apagado, Nivel 1 = 87.8°F / 31°C; Nivel 2 = 91.4°F / 33°C; Nivel 3 = 95.0°F / 35°C; Nivel 4 = 98.6°F / 37°C; Nivel 5 = 102.2°F / 39°C). La configuración se guardará para el próximo uso.
9. **Botón de temperatura del secador**  
Púlselo para ajustar la temperatura del secador de aire caliente entre 4 niveles. Los ajustes se guardarán para el siguiente uso.  
**NOTA:** la temperatura del secador variará en función de la temperatura ambiente de la habitación.
10. **Temperatura del asiento**  
Toque para ajustar la temperatura del asiento a una de las 6 configuraciones (Apagado, Nivel 1 = 86.0°F / 30°C, Nivel 2 = 89.6°F / 32°C, Nivel 3 = 93.2°F / 34°C, Nivel 4 = 96.8°F / 36°C, Nivel 5 = 102.2°F / 39°C). La configuración se guardará para el próximo uso.
11. **Botón de limpieza de la boquilla**  
Presione para iniciar la limpieza de la boquilla de dos minutos, cuando no esté sentado en el asiento o cuando el sensor del asiento esté desactivado. Para obtener más instrucciones de mantenimiento de la boquilla, consulte la página 65.
12. **Botón de apertura/cierre de la tapa**  
Púlselo para abrir la tapa. Vuelva a pulsarlo para cerrarla. Si tanto la tapa como el asiento están levantados, al pulsar este botón se cerrarán el asiento y la tapa, y el inodoro se vaciará.  
**NOTA:** la unidad viene por defecto con una tapa de apertura automática cuando se acerca al asiento. Para desactivar esta función, consulte la página 61.
13. **Botón de apertura/cierre del asiento**  
Púlselo para abrir la tapa y el asiento. Vuelva a pulsarlo para cerrar solo el asiento. La tapa o el asiento se cerrarán automáticamente transcurridos 45 segundos cuando ya no detecte a ningún usuario en un radio de 3 pies.
14. **Botón de luz nocturna**  
Púlselo para encender o apagar la luz nocturna de la taza del inodoro.  
**NOTA:** esta unidad dispone de una luz nocturna con autodetección que se encenderá o apagará automáticamente según la cantidad de luz en la habitación.

## Panel de control auxiliar



### Lavado trasero / prensado en seco

Pulse para una función de lavado y secado traseros automáticos (consulte la página 59 para ver más detalles).

### Lavado frontal / prensado en seco

Pulse para una función de lavado y secado frontal automático (consulte la página 59 para ver más detalles).

### Enjuague / Descarga / Encendido

Pulsar para detener todas las funciones de lavado o secado. Pulsar sin estar sentado para iniciar el enjuague. Mantener pulsado durante 3 segundos para apagar la unidad sin estar sentado.

### Sensor de luz

Este sensor detecta la cantidad de luz circundante y activa la luz nocturna. Si la habitación está oscura, la luz nocturna se encenderá automáticamente. Si la habitación está iluminada, la luz nocturna se apagará automáticamente.

# Uso del Coit

**NOTA:** El Coit tiene un sensor del asiento. Las funciones de lavado y secado no funcionarán a menos que el sensor detecte que una persona está sentada. Para anular el sensor del asiento, consulte las instrucciones en la página 61.

### Prepárese para el lavado

Siéntese en el asiento para asegurarse de que la piel haga contacto con el asiento sobre el sensor del asiento. Una vez establecido el contacto, el asiento automáticamente:

1. Emitirá un "pitido" audible para hacerle saber que el sensor del asiento se ha activado.
2. Iniciaré un preenjuague de limpieza de la taza para prepararla para su uso.
3. Si el bidé se ha configurado en modo Eco, la temperatura del asiento aumentará hasta el ajuste de temperatura establecido.

### Lavado con agua caliente

Cuando se disponga a lavarse, presione una vez el botón de lavado posterior o lavado frontal en el control remoto para iniciar un lavado. La boquilla realizará un enjuague de limpieza automática,

se extenderá hacia la taza del inodoro, rociará durante 4 minutos, se apagará automáticamente, se retraerá y se limpiará automáticamente una vez más.

1. Durante el lavado, los usuarios pueden ajustar la temperatura del agua, la presión y la posición de la boquilla.
2. Para detener el lavado antes de que finalice el ciclo de 4 minutos, presione el botón de detención para interrumpir el flujo de agua.

### Secador de aire caliente

Pulse el botón de secado por aire avanzado para iniciar un ciclo de secado por aire caliente. El secador funcionará durante 4 minutos y se apagará automáticamente.

1. Mientras el secador de aire está en funcionamiento, los usuarios pueden pulsar repetidamente el botón de secado de aire avanzado para ajustar el nivel de velocidad del ventilador entre bajo, medio o alto.
2. La temperatura también puede ajustarse entre 4 niveles diferentes utilizando el botón de temperatura del secador. El ajuste de temperatura se iluminará en las luces indicadoras LED del control remoto.
3. Para detener el secador durante el ciclo, pulse el botón de detención.

### Desodorante

Esta unidad está equipada con un desodorante automático que se encenderá cuando se active el sensor del asiento. El desodorante seguirá funcionando durante 3 minutos después de abandonar el asiento.

**NOTA:** el desodorante no se encenderá si se anula el sensor del asiento. Para apagar el desodorante automático, mantenga pulsado el botón de temperatura del secador durante 3 segundos. La unidad emitirá un pitido para confirmar los ajustes guardados.

# Modo automático, prelavado, descarga automática y botón de activación con el pie

### Modo automático

Pulse el botón de lavado trasero o delantero del panel de control auxiliar para activar el modo automático. Durante el modo automático, se establecerán los siguientes parámetros de lavado:

- Temperatura del asiento ajustada al nivel 3
- Movimiento (oscilación de la boquilla) activado
- Presión del agua ajustada al nivel 3
- Temperatura del agua ajustada al nivel 3
- Temperatura del secador ajustada al nivel 3

Si pulsa el botón de lavado trasero o delantero en el panel de control auxiliar durante el ciclo de lavado detendrá el lavado e iniciará la función de secado.

Una vez finalizado el ciclo de lavado, el modo automático iniciará una descarga seguida de un ciclo de secado con aire caliente de 4 minutos en el panel de control auxiliar. Al pulsar el botón de lavado trasero o delantero durante el ciclo de secado se ajustará el nivel de velocidad del ventilador.

**NOTA:** Puede preseleccionar los ajustes de lavado y secado deseados en el control remoto antes de iniciar el modo automático, de lo contrario, todos los ajustes se establecerán de forma predeterminada en el nivel 3.

### Enjuague previo

Cuando se active el sensor del asiento, la unidad hará un enjuague previo en la taza del inodoro para ayudar a combatir la acumulación de residuos y las manchas. Mantenga pulsado el botón de flecha hacia arriba durante 3 segundos para desactivar esta función.

### Descarga automática

El modo de descarga automática viene activado de fábrica por defecto. El inodoro se vaciará automáticamente cuando detecte que un usuario ha abandonado el asiento después de 6 segundos o más.

Para desactivar el modo de descarga automática, mantenga pulsado el botón de flecha hacia abajo durante 3 segundos. La unidad emitirá dos pitidos para confirmar la configuración guardada. Para reactivar la descarga automática, repita el paso anterior. La unidad emitirá un pitido para confirmar los ajustes guardados.

### Descarga automática antes de secar

Por defecto, la unidad se vacía cuando se activa el secador de aire avanzado. Mantenga pulsado el botón del secador de aire avanzado durante 3 segundos para desactivar la función de descarga antes de secado.

**NOTA:** la función de descarga antes de secado no funcionará si ya se ha realizado una orden de descarga.

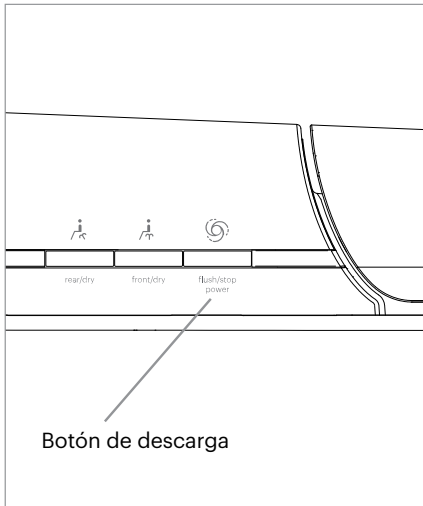
### Botón activado con el pie

El botón que se activa con el pie permite abrir la tapa, el asiento y activar la descarga para una experiencia conveniente manos libres. Toque el botón una vez para abrir la tapa, vuelva a tocarlo para abrir el asiento y, una tercera vez, para iniciar la descarga; el asiento y la tapa se cerrarán antes de que comience el ciclo.

## Descarga manual, modo ecológico y luz nocturna

### Descarga manual

En caso de corte del suministro eléctrico o avería del control remoto, el control de descarga puede activarse utilizando el botón de descarga situado en el lado derecho del asiento cuando se está sentado en el inodoro.



### Modo Eco

En el modo Eco, la temperatura del asiento se calentará a 30 °C/86 °F cuando el bidé no esté en uso. Una vez que una persona se siente en el asiento, volverá al último ajuste de temperatura utilizado.

Para activar el modo Eco, mantenga pulsado el botón de temperatura del agua durante 3 segundos. La unidad emitirá un pitido indicando que el ajuste se ha guardado.

### Luz de noche

Esta unidad cuenta con una luz nocturna con sensor automático que se enciende o apaga según la intensidad de la luz ambiental. Pulse el botón de la luz nocturna una vez para desactivarla. La luz nocturna ya no se encenderá. Pulse el botón de la luz nocturna nuevamente para reactivarla.

Mantenga pulsado el botón de luz nocturna del control remoto durante 3 segundos para encender o apagar la luz nocturna de forma permanente, independientemente de la sensibilidad a la luz de la sala.

**NOTA:** la luz nocturna con detección automática no funcionará si está encendida o apagada permanentemente.

## **Sensor del asiento, Tapa de apertura automática y Modo silencioso**

### **Sensor del asiento**

El sensor del asiento viene activado de fábrica por defecto. Mantenga pulsado el botón de asiento abierto durante 3 segundos para desactivar el sensor de asiento situado en el asiento. Esto permite que las funciones de lavado y secado funcionen sin que el sensor esté activado. Tenga cuidado en este modo para evitar rociar agua fuera del inodoro cuando no esté sentado.

### **Tapa de apertura automática**

De forma predeterminada, la tapa se abrirá automáticamente cuando se acerque al inodoro. Mantenga presionado el botón de apertura de la tapa durante 3 segundos para desactivar esta función.

**NOTA:** La sensibilidad de la tapa de apertura automática puede variar según la instalación y configuración de su baño.

La tapa puede seguir abriéndose automáticamente utilizando el botón de apertura de la tapa o de apertura del asiento en el control remoto.

### **Activación/Desactivación del modo silencioso**

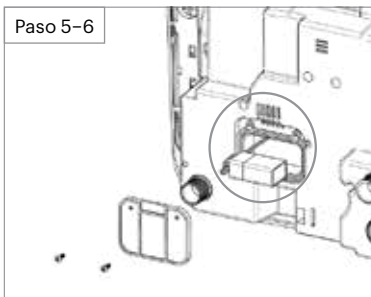
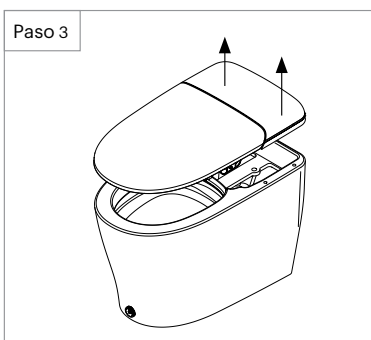
Por defecto, Coit emite un pitido para confirmar las órdenes del control remoto y del panel de control auxiliar. Mantenga pulsado el botón de temperatura del asiento durante 3 segundos para activar el modo silencioso. La unidad emitirá un pitido para confirmar el nuevo ajuste. Mantenga pulsado el botón de temperatura del asiento durante 3 segundos para desactivar el modo silencioso. La unidad emitirá dos pitidos para confirmar el nuevo ajuste.

## Sustitución de la batería de descarga de emergencia

Si la unidad no recibe alimentación y no se vacía con el botón de descarga del panel de control auxiliar, es posible que la batería se haya agotado. Siga las siguientes instrucciones para sustituir la batería de 9V.

1. Apague la unidad y desenchufe el cable de alimentación.
2. Cierre la válvula de suministro de agua de la pared y desconecte la manguera del bidé y la manguera de descarga de la válvula en T.
 

**NOTA:** necesitará un cubo o una toalla para recoger el agua residual dentro de las mangueras y la válvula.
3. Retire la unidad superior del bidé agarrando las esquinas traseras superiores del bidé y tire suavemente, pero con firmeza, hacia arriba y hacia usted para quitar el bidé de la base de cerámica. Tenga cuidado de no dañar ninguna manguera, cable de alimentación o conexión al retirar el bidé.
4. Desconecte las cuatro mangueras para facilitar el acceso al compartimento de la batería.
5. Utilice un destornillador Phillips para aflojar los tornillos y retirar la tapa.
6. Desconecte suavemente la batería de 9 V del cable terminal y sustitúyala por una nueva batería de 9 V. Asegúrese de haber conectado correctamente la batería a las polaridades correctas y vuelva a colocar la tapa del compartimento.
7. Vuelva a conectar todas las mangueras a la parte inferior del bidé. Asegúrese de que todas las conexiones estén completamente fijas (Consulte el diagrama de conexión de mangueras en la página 67 para realizar las conexiones de manguera adecuadas).
8. Vuelva a introducir la manguera del bidé, la manguera de descarga y el cable de alimentación a través de la cavidad de la base de cerámica, asegurándose de que ninguna de las mangueras de suministro de agua quede pellizcada o doblada.
9. Vuelva a instalar el asiento del bidé en la base de cerámica; presione uniformemente hacia abajo hasta que oiga que el bidé encaja en su sitio.
10. Vuelva a conectar la manguera de descarga y la manguera del bidé a la válvula en T.
11. Abra lentamente la válvula principal de suministro de agua y verifique que no haya fugas en la válvula T y en las conexiones de la manguera debajo del bidé. Espere 30 minutos y vuelva a comprobar si hay fugas antes de volver a enchufar la unidad a la toma GFCI.
12. Pulse el botón de descarga para comprobar si la unidad se vacía. Si la unidad sigue sin vaciar, consulte la sección Resolución de problemas en la página 73.



# Limpieza del filtro de malla

## Limpieza de los filtros de malla

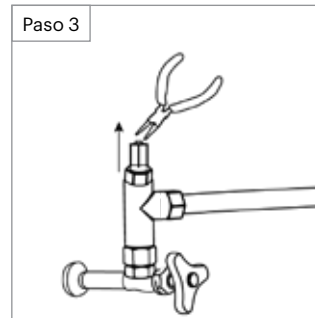
Si cree que Coit experimenta una pérdida de presión de agua, es posible que los filtros de malla estén sucios u obstruidos y deben limpiarse. Siga los pasos que se indican a continuación para limpiarlos. Si el problema de presión no se resuelve después de la limpieza, consulte la sección Resolución de problemas al final de este manual para ver otras posibles soluciones.

### Limpieza del filtro de malla de la válvula en T

1. Desenchufe el cable de alimentación de la toma de corriente.
2. Cierre la válvula de suministro de agua en la pared.
3. Desconecte la manguera superior del bidé solo de la válvula en T. Utilice unos alicates para retirar el filtro de malla.

**NOTA:** necesitará un cubo o una toalla para recoger el agua residual dentro de las mangueras y la válvula.

4. Limpie el filtro de malla con agua y un cepillo suave y vuelva a insertarlo en la válvula en T, con la "x" hacia arriba. Asegúrese de que el filtro está introducido hasta el fondo y vuelva a conectar la manguera del bidé hasta que quede bien sujeta.
5. Abra lentamente la válvula principal de suministro de agua y verifique que no haya fugas en la válvula T y en las conexiones de la manguera debajo del bidé. Espere 30 minutos y vuelva a comprobar si hay fugas antes de volver a enchufar la unidad a la toma GFCI.

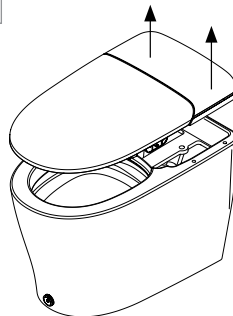


## Limpeza del filtro de malla (continuación)

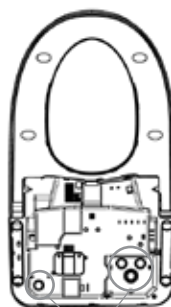
### Limpeza de los filtros de malla de entrada del bidé

1. Apague la unidad y desenchufe el cable de alimentación.
2. Cierre la válvula de suministro de agua de la pared y desconecte la manguera del bidé y la manguera de descarga de la válvula en T. Necesitará un cubo o una toalla para recoger el agua residual dentro de las mangueras y la válvula.
3. Retire la unidad superior del bidé agarrando las esquinas traseras superiores del bidé y tire suavemente, pero con firmeza, hacia arriba y hacia usted para liberar el bidé de la base de cerámica. Tenga cuidado de no dañar ninguna manguera, cable de alimentación o conexión al retirar el bidé.
4. Levante el bidé para exponer la parte inferior y localice la manguera grande de suministro de agua y las conexiones de la manguera del bidé.
5. Desconecte las mangueras y retire los filtros de malla con unos alicates.
6. Limpie los filtros de malla con agua y un cepillo suave, y vuelva a insertarlos en las entradas del bidé, con la "x" hacia arriba. Asegúrese de que los filtros se introducen hasta el fondo.
7. Vuelva a conectar las mangueras y pase la manguera del bidé, la manguera de descarga y el cable de alimentación de nuevo a través de la cavidad de la base cerámica, asegurándose de que ninguna de las mangueras de suministro de agua quede pellizcada o doblada (Consulte el diagrama de conexión de mangueras en la página 67 para realizar las conexiones de manguera adecuadas).
8. Vuelva a colocar el asiento del bidé en la base cerámica; presione uniformemente hacia abajo hasta que oiga que el bidé encaja en su sitio.
9. Vuelva a conectar la manguera de descarga y la manguera del bidé a la válvula en T.
10. Abra lentamente la válvula principal de suministro de agua y verifique que no haya fugas en la válvula T y en las conexiones de la manguera debajo del bidé. Espere 30 minutos y vuelva a comprobar si hay fugas antes de volver a enchufar la unidad a la toma GFCI.

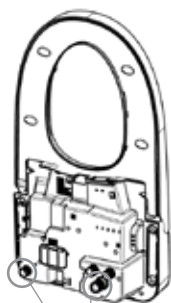
Paso 3



Paso 5



4 manguera



2 filtros

# Limpeza de la ventilación del desodorante

## Limpeza de la ventilación del desodorante

El desodorante tiene una cubierta de ventilación que evita que el polvo y las partículas fluyan hacia el filtro del desodorante. Con el tiempo, la rejilla de ventilación puede llenarse de polvo, lo que puede afectar la eficacia del desodorante, por lo que debe revisarse y limpiarse con frecuencia.

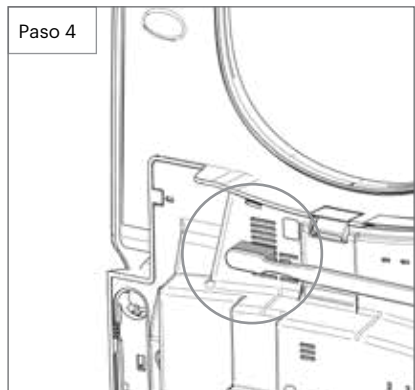
1. Apague la unidad y desenchufe el cable de alimentación.
2. Cierre la válvula de suministro de agua en la pared y desconecte la manguera del bidé y la manguera de descarga de la válvula en T.

**NOTA:** necesitará un cubo o una toalla para recoger el agua residual dentro de las mangueras y la válvula.

3. Retire la unidad superior del bidé agarrando las esquinas traseras superiores del bidé y tirando suavemente, pero con firmeza, hacia arriba y hacia usted para liberar el bidé de la base de cerámica. Tenga cuidado de no dañar ninguna manguera, cable de alimentación o conexión al retirar el bidé.
4. Con un paño suave o un cepillo de dientes, cepille suavemente el polvo de la rejilla de ventilación.



5. Vuelva a introducir la manguera del bidé, la manguera de descarga y el cable de alimentación a través de la cavidad de la base de cerámica, asegurándose de que ninguna de las mangueras de suministro de agua quede pellizcada o doblada.
6. Vuelva a colocar el asiento del bidé en la base de cerámica; presione uniformemente hacia abajo hasta que oiga que el bidé encaja en su sitio.
7. Vuelva a conectar la manguera de descarga y la manguera del bidé a la válvula en T.
8. Abra lentamente la válvula principal de suministro de agua y verifique que no haya fugas en la válvula T y en las conexiones de la manguera debajo del bidé. Espere 30 minutos y vuelva a comprobar si hay fugas antes de volver a conectar la unidad.



## Limpieza del asiento y de la boquilla



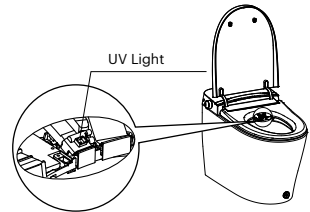
Desenchufe el bidé integrado de la red eléctrica antes de limpiar el asiento

Use un trapo blando húmedo y un producto de limpieza suave (como jabón para platos, Simple Green o Windex) para limpiar el asiento. NO frote ni use productos ásperos abrasivos para limpiar el asiento. NO use líquido disolvente, benceno, compuestos químicos ácidos, cloro ni detergente con ácido clorhídrico. Esto puede provocar corrosión en las partes metálicas, así como decoloración o rayaduras en el cuerpo del bidé.

**NOTA:** Tenga cuidado de no dejar productos del hogar y de belleza en contacto con el asiento con bidé, lo cual podría provocar decoloración irreversible. La mayoría de las manchas se pueden eliminar con una mezcla 1:1 de alcohol y agua en un trapo suave o toalla. Sin embargo, algunas manchas permanentes resultan de dejar sustancias en el asiento mientras el calentador está activado. Tenga precaución con productos del hogar y de belleza (incluidos, entre otros, diversos productos para el cabello y aromatizantes en aerosol, lociones, jabón líquido para el cuerpo, bronceadores, cremas corporales y aceites) que entren en contacto con el asiento. Lave cualquier sustancia que entre en contacto con el asiento tan pronto como sea posible.

### Limpieza UV de boquillas

Esta unidad incluye una luz ultravioleta (UV) para la limpieza intensiva de boquillas, que se activa automáticamente 10 segundos después de abandonar el asiento. La luz UV permanecerá activa durante 3 minutos. Si el asiento se activa dentro del plazo de 3 minutos, la luz UV se apagará.

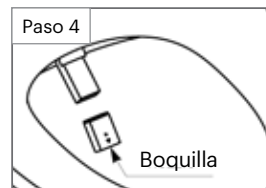
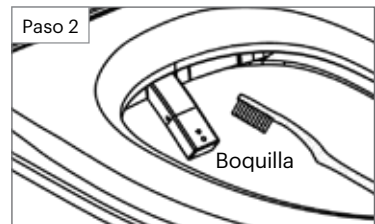


### Limpieza de la boquilla (manual)

1. Presione el botón de limpieza de la boquilla durante 3 segundos y la boquilla se extenderá.

**NOTA:** La función de limpieza de la boquilla no funcionará mientras el asiento esté ocupado o si el sensor del asiento está apagado.

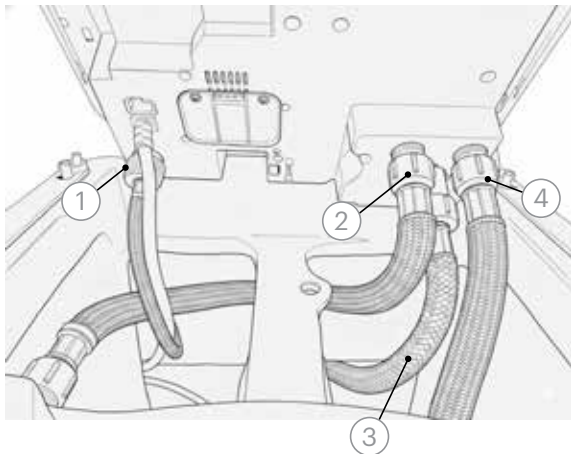
2. Limpie suavemente la boquilla de forma manual con un trapo suave o un cepillo de dientes. No sujete ni presione la boquilla con fuerza, ya que podría dañarse.
3. La punta de la boquilla puede extraerse para hacer una limpieza profunda.
4. La boquilla se retraerá automáticamente transcurridos 4 minutos.



## Diagrama de conexión de mangueras

### Mangueras de suministro de agua:

1. Manguera del bidé
2. Manguera de enjuague de la taza
3. Manguera principal de descarga
4. Manguera de descarga a presión



### Conexiones de las mangueras de descarga:

Utilice esta guía para asegurarse de que las mangueras de descarga estén conectadas correctamente si en algún momento necesita desconectarlas.

1. Retire la unidad superior del bidé sujetándola por las esquinas superiores traseras y tirando suavemente, pero con firmeza, hacia arriba para separarla de la base cerámica. Tenga cuidado de no dañar las mangueras, los cables de alimentación ni las conexiones al retirar el bidé.
2. Asegúrese de que la manguera de enjuague de la taza esté conectada a la pequeña conexión de entrada de la izquierda cuando mire hacia el inodoro.
3. Asegúrese de que la manguera de descarga a presión esté conectada a la pequeña conexión de entrada que se encuentra a la derecha mirando o hacia el inodoro.

**NOTA:** Si se invierten las conexiones de las mangueras, la unidad no se enjuagará correctamente.

## Almacenamiento del producto

### Almacenamiento del producto

#### Desuso a corto plazo

Si el producto no se utilizará durante algunas semanas, simplemente puede desconectarlo. También puede considerar cortar el suministro de agua en la pared para mayor precaución.

#### Desuso a largo plazo

Si el producto no se utilizará durante un período prolongado (más de 4 meses), deberá desconectar la unidad, cortar el suministro de agua en la pared.

**NOTA:** durante el invierno, el agua del interior puede congelarse tras largos periodos de almacenamiento y no utilización. Antes de conectar el producto al suministro de agua y a la toma eléctrica, deje que se descongele durante 30 minutos en un ambiente interior cálido. En caso de frío extremo o congelación, envuelva la manguera de suministro de agua con una toalla caliente. No vierta nunca agua caliente ni utilice un secador de aire caliente directamente sobre el bidé o el inodoro.

## Especificaciones del producto

<b>Coit Integrated Smart Bidet Toilet</b>	
Modelo	KBT-900
Voltaje eléctrico	120 V / 60 Hz
Consumo eléctrico máximo	1050 W
Presión de suministro de agua	35 psi-98 psi / 0.24 MPa-0.67 MPa
Dimensiones (L x W x H)	26.9" x 15.11" x 18.58" / 68.3 cm x 38.4 cm x 47.2 cm
Peso	99.2 lb / 45 kg
Temperatura del agua de entrada	41° F-104° F / 5°C-40°C
Límite de peso del asiento	440.93 lb / 200 kg
Límite de peso de la tapa	440.93 lb / 200 kg
<b>Dispositivo de lavado con agua caliente</b>	
Lavado posterior	0.155 gal/min / 0.59 L/min
Lavado frontal	0.161 gal/min / 0.61 L/min
Tiempo de ciclo predeterminado	4 minutes
Control de la presión del agua	5 levels
Control de la temperatura del agua	Level 1 = 87.8°F / 31°C; Level 2 = 91.4°F / 33°C; Level 3 = 95.0°F / 35°C; Level 4 = 98.6°F / 37°C; Level 5 = 102.2°F / 39°C
Consumo eléctrico máximo del calentador	1050 W
Dispositivos de seguridad	Butterfly Thermostat, Thermal Fuse, Flow Sensor
<b>Asiento con calefacción</b>	
Control de la temperatura del asiento	6 levels: Level 1 - Room Temp; Level 2 - 86°F / 30°C; Level 3 - 89.6°F / 32°C; Level 4 - 93.2°F / 34°C; Level 5 - 96.8°F / 36°C; Level 6 - 102.2°F / 39°C
Consumo eléctrico máximo del calentador	40 W
Dispositivos de seguridad	Thermal fuse
<b>Secador</b>	
Duración del ciclo del secador	4 minutes
Potencia del calentador	400 W
Rango de temperatura	93.2°F - 131°F / 34°C - 55°C (range will vary on surrounding air temperature)
Dispositivos de seguridad	Thermal Fuse, Bi-Metal

## Especificaciones del producto (continuación)

<b>Inodoro</b>	
Volumen de descarga	1.28 gpf / 4.8 lpf
Tipo de descarga	Descarga de doble chorro y sifón potente
Instalación	12"
<b>Control remoto</b>	
Tipo de equipo	Mando a distancia por radiofrecuencia
Tasa de alimentación	DC3V (2x 1.5V AAA battery)
Frecuencia de funcionamiento	2.4G
Tipo de modulación	GFSK

## Solución de problemas

Si el bidé parece estar funcionando de manera anormal, revise los consejos para la solución de problemas antes de llamar al centro de servicio de Brondell, ya que la mayoría de los problemas se resuelven fácilmente con unos simples pasos. Si no puede resolver el problema después de comprobar los siguientes elementos, visite [Brondell.com/Support](http://Brondell.com/Support) y rellene nuestro formulario de solicitud de asistencia online o llame a nuestro equipo de Atención al cliente al 1-888-542-3355, de lunes a viernes, de 8:00 a 14:00 PST.

### Antes de continuar, verifique lo siguiente:

- Asegúrese de que el bidé esté conectado a la corriente eléctrica y que el tomacorriente funcione correctamente.
- Asegúrese de revisar y probar el botón de reinicio en el tomacorriente tipo GFCI (tomacorriente tipo GFCI estándar de 120 V).
- Asegúrese de que la válvula principal de suministro de agua esté abierta.
- Asegúrese de que el asiento no esté en el modo ecológico estándar o de alta eficiencia.
- Confirme que no haya fugas en las mangueras o el suministro de agua.
- Asegúrese de que el filtro de malla esté limpio y no tenga acumulaciones ni suciedad (consulte la sección de mantenimiento de la página 63-64).
- Después de revisar los puntos anteriores, consulte la siguiente tabla de solución de problemas para tratar de encontrar soluciones adicionales.

Problema	Posibles causas	Soluciones
La unidad no funciona.	<ol style="list-style-type: none"> <li>1. La unidad está apagada.</li> <li>2. El enchufe está desconectado.</li> <li>3. No hay corriente en la toma de corriente.</li> </ol>	<ol style="list-style-type: none"> <li>1. Pulse el botón de detención/encendido en el panel de control auxiliar situado en el lado izquierdo de la unidad (cuando esté mirando hacia la unidad).</li> <li>2. Asegúrese de que el enchufe está bien conectado. Compruebe y restablezca la toma GFCI.</li> <li>3. Desenchufe la unidad y conecte otro dispositivo a la toma de corriente para asegurarse de que hay corriente.</li> </ol>
Las funciones de lavado o secado no funcionan.	<ol style="list-style-type: none"> <li>1. El asiento no está ocupado.</li> <li>2. Si solo la función de lavado no está funcionando, es posible que la válvula de suministro de agua esté cerrada.</li> </ol>	<ol style="list-style-type: none"> <li>1. La mayoría de las funciones no funcionarán si el asiento no está ocupado. Hay un sensor en el interior del asiento que reconoce el tacto. Asegúrese de que no haya nada en el asiento que pueda bloquear el sensor (por ejemplo, la tapa del inodoro, papel, etc).</li> <li>2. Ajuste su posición al sentarse para cubrir completamente el sensor del asiento. (Para la ubicación del sensor del asiento, consulte la página 48).</li> <li>3. Si solo la función de lavado no está funcionando, es posible que la válvula de suministro de agua esté cerrada. Abra la válvula de suministro de agua.</li> </ol>
El control remoto no funciona.	<ol style="list-style-type: none"> <li>1. Las pilas están gastadas.</li> <li>2. El mando a distancia ha perdido la conexión con la unidad.</li> </ol>	<ol style="list-style-type: none"> <li>1. Sustitúyalas por (2) pilas AAA nuevas.</li> <li>2. Vuelva a sincronizar el control remoto siguiendo las instrucciones de la página 54.</li> </ol>

## Solución de problemas (continuación)

Problema	Posibles causas	Soluciones
La presión de agua es débil	<ol style="list-style-type: none"> <li>1. La presión del agua está ajustada al nivel más bajo.</li> <li>2. Los filtros de malla están obstruidos.</li> <li>3. La presión del agua de entrada es inferior a la presión mínima recomendada (35 psi / 0,24 MPa).</li> <li>4. La válvula de suministro de agua está parcialmente cerrada.</li> <li>5. La boquilla está sucia u obstruida.</li> <li>6. La manguera del bidé está pellizcada o doblada.</li> </ol>	<ol style="list-style-type: none"> <li>1. Aumente la presión del agua.</li> <li>2. Limpie el filtro de malla (consulte las páginas 63-64).</li> <li>3. La presión de agua disponible es de 35 a 108 psi (0,24 a 0,75 MPa).</li> <li>4. Asegúrese de que la válvula de suministro de agua en la pared esté completamente abierta.</li> <li>5. Si la boquilla está sucia u obstruida, límpiela siguiendo las instrucciones de mantenimiento de la página 65.</li> <li>6. Revise la manguera del bidé desde la válvula en T hasta el inodoro para asegurarse de que no esté pellizcada ni doblada.</li> </ol>
El agua no está caliente.	La temperatura del agua está configurada en apagado o en el nivel más bajo.	Suba la temperatura del agua. También puede desconectar el inodoro durante 10 minutos y luego volver a conectarlo.
El asiento no está caliente.	<ol style="list-style-type: none"> <li>1. La temperatura del asiento está desactivada o en el nivel más bajo.</li> <li>2. El modo Eco está activado.</li> <li>3. Es necesario reiniciar el bidé.</li> </ol>	<ol style="list-style-type: none"> <li>1. Ajuste la temperatura del asiento a un nivel más alto.</li> <li>2. Desactive el modo Eco y vuelva a intentarlo después de 5 minutos (consulte la página 60).</li> <li>3. Desconecte el inodoro durante 10 minutos y, a continuación, vuelva a conectarlo a la toma de corriente.</li> </ol>
El secador de aire no calienta.	La temperatura de secado está configurada en el nivel más bajo.	Aumente el nivel de secado.
El sistema de autolimpieza no funciona.	<ol style="list-style-type: none"> <li>1. No hay corriente en el macorriente.</li> <li>2. El autodescargador está desactivado.</li> </ol>	<ol style="list-style-type: none"> <li>1. Utilice la descarga manual en caso de un corte de energía. La descarga automática debería volver a funcionar una vez que se restablezca la energía (consulte la página 60).</li> <li>2. Reactive el modo de descarga automática (consulte la página 59).</li> </ol>

## Solución de problemas (continuación)

Problem	Possible Cause(s)	Solution(s)
La descarga no vacía ni rellena completamente.	<ol style="list-style-type: none"> <li>1. La presión del agua es baja.</li> <li>2. La válvula de suministro de agua está parcialmente cerrada.</li> <li>3. La presión del agua no cumple con los requisitos de instalación.</li> </ol>	<ol style="list-style-type: none"> <li>1. La presión del agua puede disminuir si se está utilizando otro aparato de agua en la casa (por ejemplo, al tirar de la cadena de otro inodoro, ducharse o usar la lavadora). Espere y vuelva a intentarlo.</li> <li>2. Asegúrese de que la válvula de suministro de agua esté completamente abierta.</li> <li>3. Confirme que el suministro de agua entrante cumpla con la presión mínima de funcionamiento de 35psi (0,24 MPa) y un caudal de entrada de 9,25 gal/min o superior.</li> </ol>
El agua fluye continuamente hacia la taza.	<ol style="list-style-type: none"> <li>1. Se produjo un corte de energía durante un ciclo de descarga o autodescarga.</li> <li>2. Las mangueras del bidé o de descarga están instaladas incorrectamente.</li> </ol>	<ol style="list-style-type: none"> <li>1. Si se produce un corte de energía mientras la función de descarga está en uso, la unidad podría seguir descargando agua. Cierre la válvula de suministro de agua, desenchufe la unidad y deje de usarla hasta que se restablezca la electricidad.</li> <li>2. Revise la ilustración de la página 67 para asegurarse de que las mangueras estén conectadas correctamente.</li> </ol>
El agua no sale de la boquilla.	<ol style="list-style-type: none"> <li>1. La válvula de suministro de agua está cerrada.</li> <li>2. El suministro de agua está cortado.</li> <li>3. La boquilla está sucia.</li> <li>4. Los filtros de malla están obstruidos.</li> <li>5. La manguera del bidé está pellizcada o doblada.</li> </ol>	<ol style="list-style-type: none"> <li>1. Abra la válvula de suministro de agua.</li> <li>2. Espere a que se abra el suministro de agua.</li> <li>3. Limpie la boquilla (véase la página 65).</li> <li>4. Limpie los filtros de malla (véanse las páginas 63-64).</li> <li>5. Revise la manguera del bidé desde la válvula en T hasta el bidé para comprobar si está obstruida o doblada, lo que podría reducir el flujo de agua.</li> </ol>
Se apaga durante su uso.	<ol style="list-style-type: none"> <li>1. El enchufe está desconectado.</li> <li>2. No hay corriente en el tomacorriente.</li> <li>3. Suministro eléctrico insuficiente.</li> </ol>	<ol style="list-style-type: none"> <li>1. Asegúrese de que el enchufe esté bien conectado.</li> <li>2. Compruebe y reinicie el tomacorriente GFCI. Desconecte la unidad y conecte otro dispositivo al tomacorriente para verificar que haya corriente.</li> <li>3. Confirme que la fuente de alimentación cumpla con las especificaciones requeridas (consulte las páginas 43-44).</li> </ol>

## Avisos normativos y de seguridad

### EE. UU.: Declaración de la Federal Communications Commission (FCC)

Este dispositivo cumple con la Sección 15 de las Normas de la FCC. El funcionamiento está sujeto a las dos condiciones siguientes:

1. Este dispositivo no puede producir interferencias dañinas; y
2. Este dispositivo debe aceptar cualquier interferencia, incluidas las interferencias que podrían provocar un funcionamiento indeseado del dispositivo.

### Advertencia de la FCC

Los cambios o modificaciones no aprobados expresamente por la parte responsable del cumplimiento podrían anular la autoridad del usuario para operar el equipo.

Este dispositivo debe instalarse y operarse con un mínimo de 20 cm entre el radiador y usted.

Nota: Este equipo ha sido probado y se ha determinado que cumple con los límites para un dispositivo digital de Clase B, de conformidad

con la Sección 15 de las Normas de la FCC. Estos límites están diseñados para brindar una protección razonable contra interferencias dañinas en una instalación residencial. Este equipo genera, usa y puede irradiar energía de radiofrecuencia y, si no se instala y usa de acuerdo con las instrucciones, puede causar interferencias dañinas en las comunicaciones por radio. Sin embargo, no hay garantía de que no se produzcan interferencias en una instalación en particular. Si este equipo causa interferencias dañinas en la recepción de radio o televisión, lo cual se puede determinar apagando

y encendiendo el equipo, se recomienda al usuario que intente corregir la interferencia mediante una o más de las siguientes medidas: Cambie la orientación o la ubicación de la antena receptora.

- Aumente la separación entre el equipo y el receptor.
- Conecte el equipo a un tomacorriente de un circuito diferente al que está conectado el receptor.
- Consulte al distribuidor o a un técnico experimentado en radio y televisión para obtener ayuda.
- Este dispositivo cumple con los requisitos de la FCC e IC para la exposición a radiofrecuencia en entornos públicos o no controlados.

### Canadá: Declaración de Industry Canada (IC)

Este dispositivo cumple con los requisitos de IC para la exposición a radiofrecuencia en entornos públicos o no controlados.

Aviso de IC para usuarios en inglés/francés de acuerdo con la edición actual de RSS-Gen:

Este dispositivo cumple con los estándares de RSS sin necesidad de licencia de Industry Canada.

El funcionamiento está sujeto a las dos condiciones siguientes:

1. Este dispositivo no puede producir interferencias dañinas; y
2. Este dispositivo debe aceptar cualquier interferencia, incluidas las interferencias que podrían provocar un funcionamiento indeseado del dispositivo.

# Garantía

Los productos Brondell están respaldados por algunas de las garantías más completas de la industria. Brondell garantiza que todos los productos (excluyendo los artículos consumibles) estarán libres de defectos en material y mano de obra bajo un uso y servicio normales.

### Garantía limitada por 3 años del uso residencial del KBT-900

- Cobertura del 100% de todas las piezas y mano de obra de todo el producto (excluidos los filtros consumibles) durante los primeros tres años a partir de fecha original de compra.

### Garantía comercial del KBT-900

El período de garantía es de 1 año desde la fecha de compra original para todos los productos Brondell. Las garantías no pueden emplearse en los productos que se utilizan para aplicaciones comerciales, hospitalarias o no residenciales de alto uso.

### Exclusiones y limitaciones

1. BRONDELL garantiza que sus productos están libres de defectos de fabricación bajo un uso y servicio normales. Esta garantía se extiende solo al COMPRADOR ORIGINAL.
2. Las obligaciones de BRONDELL en virtud de esta garantía se limitan a la reparación o sustitución, a elección de BRONDELL, de los productos o las piezas que se consideren defectuosos, siempre que dichos productos se hayan instalado correctamente y se hayan utilizado de acuerdo con las instrucciones. BRONDELL se reserva el derecho de realizar las inspecciones que sean necesarias para determinar la causa del defecto. BRONDELL no cobrará por la mano de obra o las piezas en relación con las reparaciones de garantía durante los primeros 3 años a partir de la fecha de compra de todos los productos, excepto aquellos que puedan estar sujetos a limitaciones de uso comercial.
3. BRONDELL no se hace responsable de los costes de retirada, devolución (envío) o reinstalación de los productos.
4. Variations in color and finish of all materials will occur naturally due to manufacturing processes are not considered manufacturing defects.
5. Los arañazos, las manchas, la reducción del brillo, la decoloración y otros efectos del uso de productos químicos, el agua y las condiciones atmosféricas no se consideran defectos de fabricación, sino desgaste normal. Esta garantía NO se aplica a:

- Daños o pérdidas que se produzcan durante el transporte.
- Daños o pérdidas ocurridos por causas naturales o artificiales fuera del control de BRONDELL, incluidos, entre otros, incendios, terremotos, inundaciones, etc.
- Daños o pérdidas resultantes de los sedimentos o las materias extrañas contenidas en un sistema de agua.
- Daños o pérdidas resultantes de una instalación negligente o inadecuada, incluida la instalación de una unidad en un ambiente hostil o peligroso.
- Daños o pérdidas resultantes de la retirada, reparación inadecuada, modificación del producto o mantenimiento inadecuado, incluidos los daños causados por el cloro o los productos relacionados con cloro.
- Los daños o pérdidas resultantes de sobrecargas eléctricas, cortes eléctricos, rayos u otros actos que no son causados por Brondell o que no se especifica que el producto tolera.

6. Esta garantía le otorga derechos legales específicos. Puede que tenga otros derechos que varían de un estado a otro. ESTA GARANTÍA ESCRITA ES LA ÚNICA GARANTÍA HECHA POR BRONDELL. LA REPARACIÓN O SUSTITUCIÓN SEGÚN LO DISPUESTO EN ESTA GARANTÍA SERÁN EL ÚNICO RECURSO DISPONIBLE PARA EL COMPRADOR. BRONDELL NO SERÁ RESPONSABLE DE LA PÉRDIDA DE USO DEL PRODUCTO O DE OTROS DAÑOS INCIDENTALES, ESPECIALES, CONSECUENTES O GASTOS INCURRIDOS POR EL COMPRADOR O POR LA MANO DE OBRA U OTROS COSTES DEBIDOS A LA INSTALACIÓN, LA RETIRADA O LOS COSTES DE LAS REPARACIONES POR PARTE DE OTROS, NI POR CUALQUIER OTRO GASTO NO ESPECIFICADO ANTERIORMENTE. EXCEPTO EN LA MEDIDA EN QUE LO PROHIBA LA LEY APLICABLE, CUALQUIER GARANTÍA IMPLÍCITA, INCLUIDA LA DE COMERCIABILIDAD, SE LIMITA EXPRESAMENTE A LA DURACIÓN DE ESTA GARANTÍA. ALGUNOS ESTADOS NO PERMITEN LIMITACIONES, POR LO QUE ES POSIBLE QUE LA LIMITACIÓN Y EXCLUSIÓN ANTERIORES NO SE APLIQUEN EN SU CASO.

### Cómo obtener el servicio

Para iniciar una reclamación de garantía de Brondell, visite [Brondell.com/Support](http://Brondell.com/Support) y rellene nuestro formulario de solicitud de asistencia online o llame a nuestro equipo de Atención al cliente al 1-888-542-3355, de lunes a viernes, de 8:00 a 14:00 PST. Nuestros especialistas le ayudarán a solucionar el problema y, en función de los resultados, le facilitarán un número de autorización de devolución de mercancía (RMA) y una etiqueta de envío prepagada, si procede, para que envíe su producto Brondell a nuestro Centro de servicio.

Cuando devuelva su artículo a nuestro Centro de servicio, asegúrese de incluir el número RMA y una copia del recibo original como prueba de compra para su correcta identificación y procesamiento.

# Brondell®

Feels better already.

Brondell, Inc.  
PO Box 470085  
San Francisco, CA  
94147-0085

[www.brondell.com](http://www.brondell.com)

**Para preguntas y recursos adicionales,  
comuníquese con:**

Atención al cliente de Brondell  
1-888-542-3355

[www.brondell.com/support](http://www.brondell.com/support)

**Fabricado por**

Brondell, Inc.  
PO Box 470085  
San Francisco, CA  
94147-0085

**Hecho en China**

**Conserve los recibos para cualquier  
reclamación de garantía.**

## Table des matières

Ce manuel contient des consignes de sécurité importantes. Avant d'utiliser le bidet, veuillez lire attentivement ce manuel, et conservez-le pour vous y reporter dans le futur.

### INFORMACIÓN DE SEGURIDAD

- 78** Consignes de sécurité

### INFORMATION PRODUIT

- 83** Caractéristiques du produit
- 85** Dimensions du produit

### INSTALLATION DU PRODUIT

- 86** Éléments du produit
- 87** Pièces d'installation
- 88** Avant l'installation
- 89** Installation de la batterie de la chasse d'eau d'urgence
- 90** Installation du Coit

### FONCTIONNEMENT DU PRODUIT

- 92** Télécommande
- 95** Panneau de contrôle auxiliaire
- 96** Utilisation du Coit
- 97** Mode automatique, pré-rinçage, chasse d'eau automatique et bouton à commande au pied
- 98** Chasse d'eau manuelle, mode éco et veilleuse
- 99** Capteur de siège, ouverture automatique du couvercle et mode silencieux

### ENTRETIEN

- 100** Remplacement de la batterie de la chasse d'eau d'urgence
- 101** Nettoyage des filtres à tamis
- 103** Nettoyage du siège & de la buse
- 104** Nettoyage de l'évent du désodorisant
- 105** Schéma de raccordement des tuyaux
- 106** Remisage du produit

### RENSEIGNEMENTS TECHNIQUES

- 107** Dépannage
- 110** Caractéristiques du produit
- 112** Avis relatifs à la réglementation et à la sécurité
- 113** Garantie
- 114** Communiquer avec Brondell




### TRANSLATIONS


- 02** Anglais
- 40** Espagnol

# CONSIGNES DE SÉCURITÉ (MESURES DE PROTECTION IMPORTANTES)

## LISEZ CES INSTRUCTIONS INTÉGRALEMENT AVANT D'UTILISER LE SIÈGE

VEUILLEZ À CONSERVER CES CONSIGNES DE SÉCURITÉ. VEUILLEZ LIRE CES CONSIGNES POUR PRÉVENIR LES PERTES MATÉRIELLES ET ASSURER LA SÉCURITÉ.

-  **DANGER:** Le non-respect des avertissements suivants pourrait entraîner des blessures graves ou mortelles.
-  **AVERTISSEMENT:** Le non-respect des avertissements suivants pourrait entraîner des blessures graves ou des dommages matériels.
-  **MISE EN GARDE:** Le non-respect des avertissements suivants peut entraîner des blessures légères ou des dommages matériels.

 **DANGER** Le non-respect des avertissements suivants pourrait entraîner une électrocution, un incendie, des blessures ou des dommages matériels.

- N'utilisez pas une fiche d'alimentation endommagée ou une prise de courant mal fixée.
- Ne déplacez pas le produit en tirant sur le cordon d'alimentation.
- Ne manipulez pas le produit ou la fiche d'alimentation avec les mains mouillées.
- Ne pliez pas de force le cordon d'alimentation et ne placez pas d'objets lourds sur celui-ci pour éviter qu'il ne soit endommagé ou déformé.
- Ne branchez pas et ne débranchez pas la fiche ou le cordon d'alimentation de manière répétée.
- Débranchez le produit avant de le nettoyer, de le réparer, de l'inspecter ou de remplacer des pièces.
- Retirez la poussière ou l'eau de la prise de courant avant de la brancher.
- Ne branchez pas l'appareil sur une prise électrique ou une multiprise sur laquelle sont déjà branchés trop d'appareils. Utilisez une prise électrique adaptée à la puissance du produit et fournissant une intensité minimale de 15 A.
- Si le cordon d'alimentation est endommagé, n'essayez pas de réparer, de modifier ou de remplacer le cordon vous-même. Communiquez avec le centre de services Brondell par téléphone au 888-542-3355 (numéro non surtaxé) ou par courriel via notre site Web.
- Si le produit émet un bruit étrange, une odeur de brûlé ou dégage de la fumée, débranchez-le immédiatement de la prise électrique et communiquez avec Brondell. Le non-respect de cette consigne peut entraîner un choc électrique ou un incendie.
- N'insérez pas de fils ou d'objets pointus dans les interstices des produits. Cela pourrait provoquer un choc électrique, un incendie ou endommager le produit.
- Ne placez pas de radiateur électrique ou à gaz à proximité du produit et ne jetez pas de matériaux enflammés tels qu'une cigarette allumée dans la toilette. Cela pourrait provoquer un incendie ou une déformation du produit. Ne placez pas de récipients remplis d'eau ou d'autres liquides, de nourriture, d'objets métalliques ou de tout autre matériau inflammable sur le produit. Si des corps étrangers pénètrent dans le produit, cela peut provoquer un choc électrique ou un incendie.

# CONSIGNES DE SÉCURITÉ (MESURES DE PROTECTION IMPORTANTES)



## DANGER

Le non-respect des avertissements suivants pourrait entraîner une électrocution, un incendie, des blessures ou des dommages matériels.

- N'utilisez pas le produit dans des endroits exposés à une humidité excessive, et n'éclaboussez pas le produit avec de l'eau.
- Lors du nettoyage de la salle de bain, débranchez le cordon d'alimentation de la prise électrique et assurez-vous de ne pas éclabousser le bidet avec de l'eau ou des produits d'entretien. Cela pourrait entraîner une électrocution ou déclencher un incendie.
- Si un corps étranger pénètre dans le siège, débranchez le cordon d'alimentation de la prise électrique, fermez le robinet d'eau principal et appelez le centre de service Brondell.
- Ne démontez pas, ne réparez pas et ne modifiez pas le produit vous-même.
- N'utilisez pas le siège lorsqu'il est mouillé par l'eau du bain ou de la douche.
- Ne placez ou ne rangez pas le produit dans un endroit où il serait susceptible de tomber dans une baignoire ou un évier.
- Ne placez pas ou ne faites pas tomber le produit dans de l'eau ou tout autre liquide.
- Ne reprenez pas le produit à la main s'il est tombé dans l'eau. Débranchez le siège immédiatement et appelez le centre de service Brondell.
- N'utilisez pas le produit s'il ne fonctionne pas correctement. Débranchez-le immédiatement, fermez le robinet principal de l'arrivée d'eau et appelez le centre de service Brondell au 888-542-3355. Le non-respect de cette consigne pourrait entraîner une électrocution, un incendie ou une inondation.



## AVERTISSEMENT

Le non-respect des avertissements suivants pourrait entraîner une électrocution, un incendie, des blessures ou des dommages matériels.

- Ne branchez pas, n'utilisez pas et ne rangez pas l'appareil dans des endroits où sont utilisés ou conservés des matériaux inflammables ou des combustibles.
- N'utilisez ni eau industrielle ni eaux ménagères pour l'approvisionnement en eau, car cela pourrait entraîner des lésions ou des maladies cutanées.
- Fermez le robinet principal d'arrivée d'eau lors du nettoyage.
- Pour les enfants et les personnes âgées qui peuvent avoir des difficultés à régler la température ou pour les personnes ayant une peau sensible ou une faible sensibilité à la chaleur, réglez la température du jet de lavage et du siège sur « Faible » ou « Désactivé » pour éviter toute brûlure.
- Une surveillance étroite est nécessaire lorsque ce produit est utilisé par des enfants ou des personnes ayant besoin d'assistance en général.
- N'appuyez pas trop fort sur les boutons.
- Ne vous tenez pas debout ou ne posez pas d'objets lourds sur le couvercle du siège.
- Utilisez ce siège uniquement pour l'usage auquel il est destiné, comme décrit dans ce manuel. N'utilisez aucun accessoire non recommandé par Brondell.

# CONSIGNES DE SÉCURITÉ (MESURES DE PROTECTION IMPORTANTES)

## AVERTISSEMENT

Le non-respect des avertissements suivants pourrait entraîner une électrocution, un incendie, des blessures ou des dommages matériels.

- N'utilisez jamais ce produit si le cordon ou la prise d'alimentation sont endommagés, ou bien s'il ne fonctionne pas correctement, est tombé ou a été endommagé, ou bien est tombé dans l'eau. Communiquez avec un centre de service Brondell pour faire inspecter et réparer le produit.
- Éloignez le cordon des surfaces et ouvertures chauffantes.
- N'obstruez jamais les ouvertures d'air du produit et ne le placez jamais sur une surface molle, comme un lit ou un divan, où les ouvertures d'air pourraient être bloquées. Gardez les ouvertures d'air libres de toutes peluches, cheveux, etc.
- N'insérez jamais ou ne faites jamais tomber un objet dans une ouverture ou un tuyau.
- N'utilisez pas le produit à l'extérieur ni là où des aérosols (vaporisateurs) sont utilisés, ni à un endroit où il pourrait être exposé à de l'oxygène.
- Branchez uniquement le produit à une prise correctement reliée à la terre. Reportez-vous aux instructions de mise à la terre dans les pages suivants du manuel.

## MISE EN GARDE

Le non-respect des avertissements suivants pourrait entraîner une électrocution, un incendie, des blessures ou des dommages matériels.

- Ne raccordez jamais le produit au tuyau ou à l'arrivée d'eau chaude (raccordez-le uniquement à l'arrivée d'eau froide).
- Après l'installation, assurez-vous de vérifier qu'aucune des connexions de l'arrivée d'eau ne fuit. Les tuyaux de raccordement et le vanne en T doivent être munis de rondelles en caoutchouc.
- Ne forcez pas pour ouvrir/refermer le couvercle du siège.
- Faites attention à ce que l'urine ne vienne pas en contact avec le produit, ce qui pourrait entraîner de mauvaises odeurs ou une panne.
- Si l'appareil doit rester inutilisé pendant une longue période de temps, débranchez le cordon d'alimentation, fermez le robinet principal d'alimentation en eau et videz toute l'eau du réservoir.
- Ne tirez pas trop fort sur le tuyau du bidet.
- N'utilisez pas de diluant, de benzène, de produits chimiques acides, de chlorure ou de détergent à base d'acide chlorhydrique. Cela pourrait entraîner la corrosion des parties métalliques ou une décoloration ou des rayures sur le corps du bidet.
- Cet appareil n'est pas destiné à être utilisé par des personnes (y compris les enfants) ayant des capacités physiques, sensorielles ou mentales réduites, ou bien qui manquent d'expérience et de connaissances, à moins qu'elles ne bénéficient de surveillance ou qu'une personne responsable de leur sécurité ne leur donne des instructions sur l'utilisation de l'appareil.
- Les enfants doivent être surveillés pour s'assurer qu'ils ne jouent pas avec l'appareil.

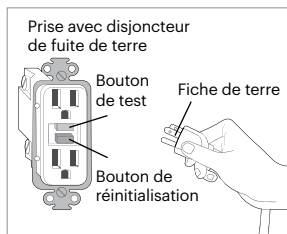
# CONSIGNES DE SÉCURITÉ (MESURES DE PROTECTION IMPORTANTES)

## Instructions de mise à la terre et prise DFT

Ce produit ne doit être branché que sur

une prise mise à la terre et munie d'un DFT (disjoncteur de fuite de terre) avec un cordon d'alimentation à 3 broches, comme illustré à droite.

En cas de court-circuit électrique, l'utilisation d'une prise de terre DFT réduit le risque d'électrocution. Cet appareil est équipé d'un cordon avec mise à la terre. Il est conçu pour être utilisé exclusivement sur un circuit électrique avec une tension nominale de 120 V (min. 15 A) et doit être branché sur une prise correctement mise à la terre et munie d'un disjoncteur DFT, comme indiqué. Remplacez ou réparez immédiatement tout cordon endommagé.



### L'UTILISATION INCORRECTE D'UNE FICHE DE MISE A LA TERRE PEUT ENTRAÎNER UN RISQUE DE CHOC ÉLECTRIQUE.

- Si la réparation ou le remplacement du câble ou de la prise est nécessaire, ne connectez pas le fil de mise à la terre à l'une ou l'autre des bornes à lame plate.
- Le fil avec isolation verte (avec ou sans bande jaune) est le fil de mise à la terre. Vérifiez auprès d'un professionnel qualifié électricien si les instructions de mise à la terre ne sont pas complètement comprises, ou s'il y a un doute si le produit est correctement fondé.

# CONSIGNES DE SÉCURITÉ (MESURES DE PROTECTION IMPORTANTES)

## Instructions de mise à la terre en option

Instructions de mise à la terre en option

Ce produit est destiné à être utilisé sur un circuit nominal de 120 V et possède une fiche de mise à la terre qui ressemble à la fiche illustrée dans le croquis A de la figure 1.

Un adaptateur temporaire, qui ressemble à l'adaptateur illustré dans les croquis B et C, peut être utilisé pour raccorder cette fiche à une prise à 2 pôles comme indiqué dans le croquis B si aucune prise correctement mise à la terre n'est disponible.

L'adaptateur temporaire ne doit être pas utilisé avant qu'une prise correctement mise à la terre (croquis A) ne soit installée par un électricien qualifié.

L'oreille rigide de couleur verte, le tenon, ou toute autre chose de ce genre dépassant de l'adaptateur doivent être raccordés à la terre de façon permanente à travers une prise correctement mise à la terre. À chaque utilisation de l'adaptateur, celui-ci doit être maintenu en place par la vis.

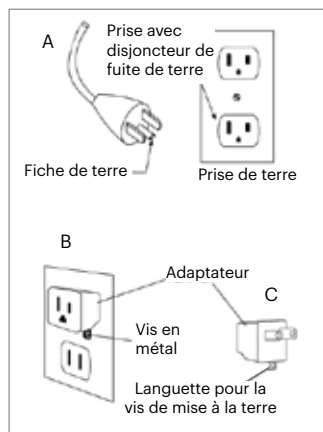


Figure 1

## Caractéristiques du produit

### Caractéristiques du bidet

#### Buse auto-nettoyante et rétractable

La fonction auto-nettoyante permet de rincer la buse à la demande. Le nettoyage en profondeur est facile grâce à la buse amovible.

#### Un lavage à l'avant et à l'arrière avec de l'eau chaude

Possibilité de régler la température, la position, la pression et l'oscillation.

#### Positionnement de la buse

La buse réglable sur 5 positions vous assure un lavage efficace tout en douceur.

#### Télécommande sans fil et socle

Sélectionnez facilement les fonctions, les réglages de pulvérisation et bien plus encore. Piles incluses.

#### Température et pression de l'eau réglables

Les modes de lavage avant, arrière et fort offrent 4 niveaux de réglage de la température et 5 niveaux de réglage de la pression de l'eau.

#### Sécheur à air chaud

4 niveaux de réglage de la température pour une expérience de séchage sans contact tout en réduisant/éliminant la consommation de papier toilette.

#### Oscillation de la buse

La fonction d'oscillation offre un effet massant pendant le cycle de lavage, pour un lavage efficace et confortable.

#### Chasse d'eau automatique

La chasse d'eau se déclenche automatiquement lorsque le siège ne détecte plus d'utilisateur.

#### Siège des toilettes chauffant

Réglez la température du siège sur 6 niveaux.

#### Veilleuse DEL à détection automatique

Renforcez la sécurité nocturne grâce à la veilleuse automatique et à l'option marche/arrêt.

#### Ouverture/fermeture automatique du couvercle et siège télécommandé

Profitez d'une expérience très hygiénique grâce au couvercle et au siège automatiques.

#### Bouton hygiénique à commande au pied

Une fonction pratique permet d'ouvrir le siège et le couvercle et de déclencher la chasse d'eau sans avoir à toucher la toilette.

#### Mode Éco

Réduit automatiquement la température du siège pour économiser de l'énergie lorsqu'il est activé.

#### Désodorisant au charbon intégré

Réduit automatiquement les odeurs grâce à un cycle de filtration de l'air de trois minutes.

#### Nettoyage des buses par UV

La lumière UV automatique permet un nettoyage instantané des buses après chaque utilisation.

#### Buse auto-nettoyante

Fonction d'auto-nettoyage automatique ou manuel de la buse.

#### Système de chauffage de l'eau en céramique

Le système de chauffage instantané en céramique fournit un jet d'eau chaude ininterrompu pour les lavages.

#### Installation facile à faire soi-même grâce à des supports de fixation sécurisés et rapides à installer

Conçu pour être installé sans outils spécialisés ni plombier.

## **Caractéristiques du produit (suite)**

### **Caractéristiques de la cuvette:**

Céramique avec revêtement protecteur intégré

Hauteur du siège: 420 mm

Forme allongée de la cuvette

305 mm Boîtier d'encastrement

### **Caractéristiques du système de chasse d'eau :**

Chasse d'eau automatique et manuelle

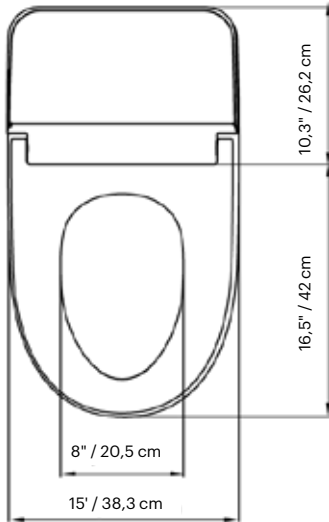
Pré-rinçage de la cuvette

Double débit de chasse et siphon puissant

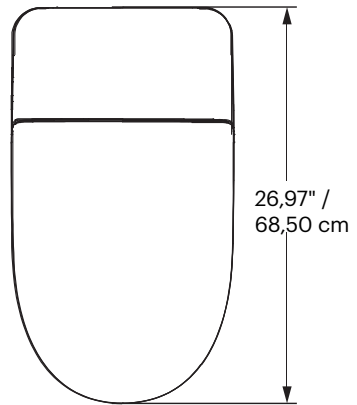
1,28 gallon (4,8 litres) par chasse d'eau

## Dimensions du produit

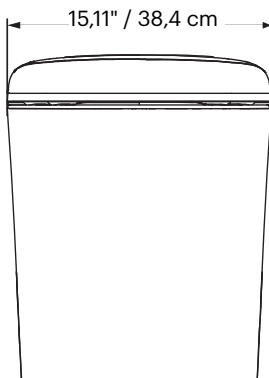
Vue du dessus Couvercle ouvert



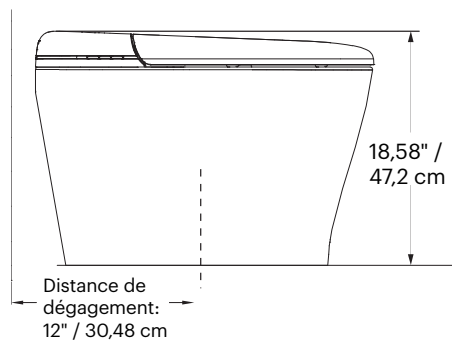
Vue du dessus Couvercle fermé



Vue de face

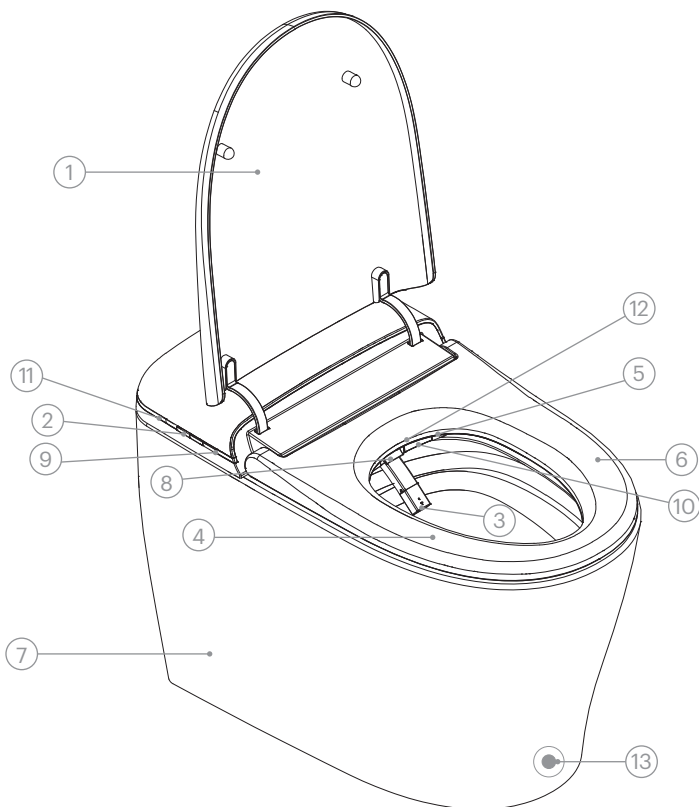


Vue de profil



## Éléments du produit

1. Couvercle
2. Panneau de contrôle auxiliaire
3. Buse
4. Siège chauffant
5. Veilleuse DEL
6. Capteur de présence
7. Couvercle du bouchon (sur le bol en céramique)
8. Sortie du sécheur à air de pointe
9. Bouton de rinçage manuel
10. Évent du désodorisant
11. Capteur de lumière
12. Lumière UV
13. Bouton à commande au pied



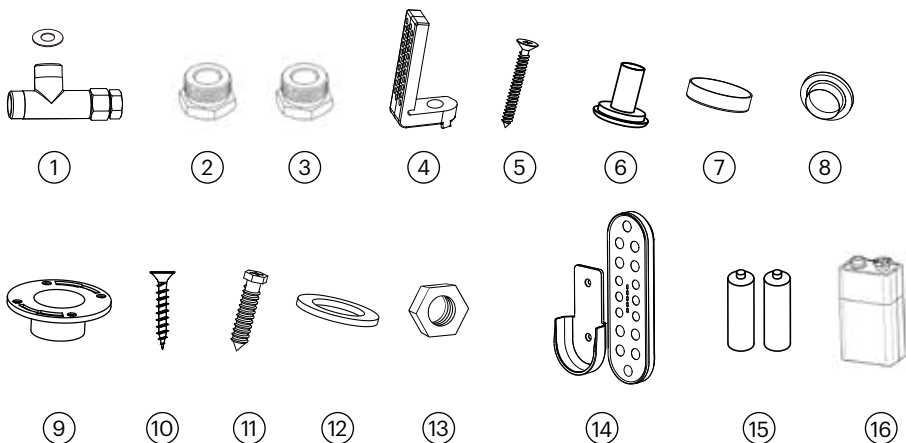
## Pièces d'installation

### Pièces incluses

- |  |  |
|--|--|
| <ol style="list-style-type: none"> <li>1. Vanne en T 1/2" x 1/2" x 11/16-20UN avec rondelle plate</li> <li>2. Adaptateur 11/16-20UN vers 3/8" avec rondelle plate</li> <li>3. Adaptateur 11/16-20UN vers 1/2" avec rondelle plate</li> <li>4. Supports de montage (2)</li> <li>5. Vis de support de montage (2)</li> <li>6. Bouchons à vis (2)</li> <li>7. Couvercles de bouchon (2)</li> <li>8. Joint de toilette en cire</li> <li>9. Bride de plancher</li> <li>10. Vis de la bride de plancher (4)</li> <li>11. Boulons de montage des toilettes (2)</li> </ol> | <ol style="list-style-type: none"> <li>12. Rondelles des boulons de montage des toilettes (2)</li> <li>13. Écrous des boulons de montage des toilettes (2)</li> <li>14. Télécommande &amp; Support Mural</li> <li>15. AAA Piles (2)</li> <li>16. Batterie 9 V</li> </ol> |
|--|--|

**Les éléments suivants sont préinstallés et ne sont pas illustrés :**

17. Tuyau d'alimentation en eau du bidet
18. Tuyaux d'alimentation en eau de rinçage (3)
19. Filtre à tamis de la vanne en T
20. Filtre à tamis de l'entrée du bidet
21. Filtre à tamis pour tuyau de chasse d'eau 7/8"



### Pièces et outils nécessaires à l'installation (non inclus)

- |  |  |
|--|--|
| <ol style="list-style-type: none"> <li>1. Butée angulaire à joint coulissant 7/16" (vanne murale) avec écrou de compression retiré pour exposer les filetages MIP 12"</li> <li>2. Prise GFCI (câblée dans le mur et testée)</li> </ol> | <ol style="list-style-type: none"> <li>3. Clé à molette</li> <li>4. Tournevis à tête Phillips</li> <li>5. Pistolet à silicone (en option)</li> <li>6. Manomètre de pression d'eau (en option)</li> </ol> |
|--|--|

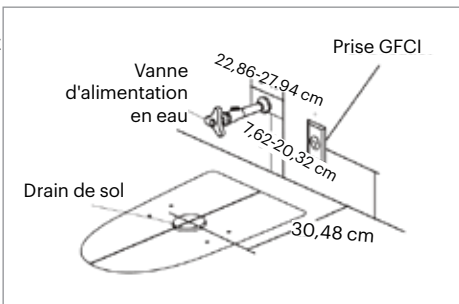
## Avant l'installation

**REMARQUE IMPORTANTE :** Veuillez lire l'intégralité de cette liste d'instructions et faire l'inventaire des pièces incluses avant de commencer l'installation. Si vous avez des questions, veuillez appeler le service clientèle au 1-888-542-3355 avant de commencer l'installation.

Une prise électrique avec disjoncteur de fuite de terre à proximité des toilettes est nécessaire pour l'alimentation électrique. Veuillez à ce que la bordure des toilettes n'interfère pas avec le point d'alimentation en eau. En raison de la nature de ce produit, il est recommandé de faire appel à un plombier pour l'installation.

1. Avant de déballer ce produit, assurez-vous que les dimensions d'encastrement sont les suivantes :

- L'axe du siphon de sol doit se trouver à 30,48 cm du mur arrière fini. Ne tenez pas compte de l'épaisseur des plinthes pour prendre cette mesure.
- Repérez le gabarit d'installation fourni intitulé « Confirmer les dimensions avant le déballage ».
- Placez le gabarit d'installation fourni sur le sol et tracez le contour à l'aide d'un stylo marqueur pour confirmer les dimensions de l'installation; retirez le gabarit d'installation avant d'installer le dispositif.
- L'axe de la butée d'angle (vanne d'alimentation en eau) doit être situé à 7,62-20,32 cm au-dessus du sol fini et à 22,86-27,94 cm à gauche de l'axe de l'évacuation du sol. La butée angulaire devra avoir un filetage de 1/2" ou 3/8" MIP pour être raccordée à la vanne en T incluse.

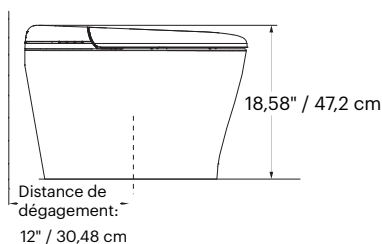


2. Confirmer la pression de l'eau :

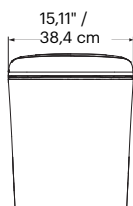
La pression d'eau minimale de fonctionnement est de 35 psi (0,24 MPa). Si la pression d'eau de fonctionnement est inférieure à 35 psi (0,24 MPa) et que le débit entrant est inférieur à 9,25 gal/min à 35 psi, l'appareil peut rencontrer des problèmes avec le mécanisme de rinçage. Utilisez un manomètre (non fourni) pour vous assurer que la pression d'eau est suffisante avant l'installation.

3. Assurez-vous qu'il y a suffisamment d'espace pour installer correctement l'unité.

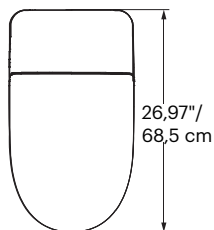
### Confirmer les dimensions du produit pour l'espace d'installation



Vue de profil



Vue de faceView

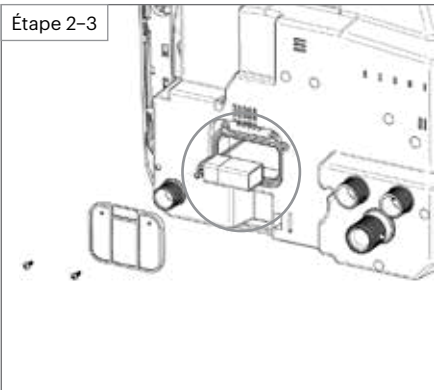
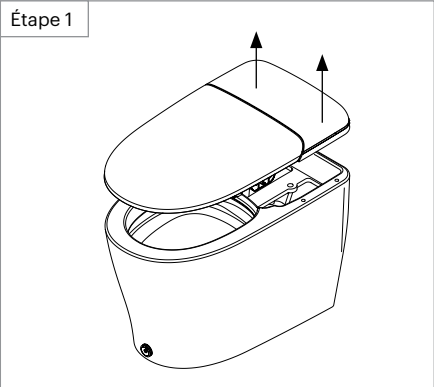


Vue du dessus

## Installation de la batterie de la chasse d'eau d'urgence

En cas de perte d'alimentation électrique du Coit, le bouton de chasse d'eau situé sur le panneau de contrôle auxiliaire peut être utilisé pour tirer manuellement la chasse d'eau. Suivez les instructions ci-dessous pour installer la batterie 9 V sous le siège du bidet avant de procéder à l'installation du Coit.

1. Retirez l'unité supérieure du bidet en saisissant les coins arrière du bidet et en tirant doucement mais fermement vers le haut pour dégager le bidet de la base en céramique. Veillez à ne pas endommager les tuyaux, les cordons d'alimentation ou les raccords lorsque vous retirez le bidet.
2. Utilisez un tournevis cruciforme pour desserrer les vis et retirer le couvercle.
3. Connectez la batterie 9 V incluse au fil de la borne. Assurez-vous d'avoir correctement connecté la batterie aux bonnes polarités et remplacez le couvercle du compartiment de la batterie.
4. Faites passer le tuyau du bidet, le tuyau de rinçage et le cordon d'alimentation dans la cavité de la base en céramique, en veillant à ce qu'aucun des tuyaux d'alimentation en eau ne soit pincé ou plié.
5. Réinstallez le siège du bidet sur la base en céramique; appuyez uniformément jusqu'à ce que vous entendiez le bidet s'enclencher en place.



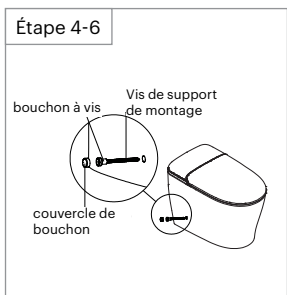
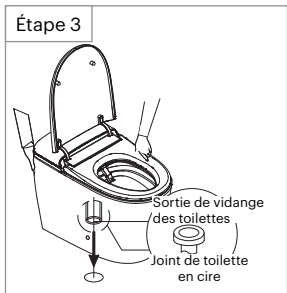
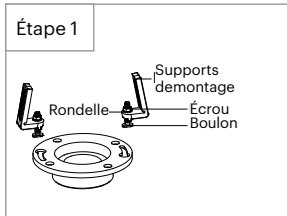
# Installation du Coit

**FORTEMENT RECOMMANDÉ :** Deux personnes ou plus doivent effectuer l'étape 3, car la cuvette est très lourde et peut être difficile à manœuvrer correctement ou sa manipulation pourrait provoquer des blessures.

1. Installez les supports de montage sur la bride de plancher à l'aide des boulons de montage des toilettes, de la rondelle métallique et de l'écrou. Serrez les écrous à la main. Utilisez une clé pour serrer les écrous d'un quart de tour de plus qu'avec le serrage manuel.

**REMARQUE :** Une bride de plancher neuve et des boulons de montage neufs sont inclus dans la trousse d'installation. Remplacez l'ancienne bride de plancher et les anciens boulons si nécessaire.

2. Placez le joint en cire pour toilettes sur le trou d'évacuation sous la cuvette en céramique.
3. A deux personnes ou plus, installez soigneusement la cuvette en céramique, en l'alignant sur les blocs de montage et l'évacuation des toilettes. Appuyez uniformément sur les toilettes pour vous assurer que le joint en cire des toilettes est bien en contact avec le sol.
4. Insérez les bouchons de vis des deux côtés de la base en céramique.
5. Installez les vis du support de montage à travers les bouchons de vis des deux côtés des toilettes à l'aide d'un tournevis à tête cruciforme, en vous assurant que les vis sont bien fixées. Veillez à ne pas trop serrer pour ne pas endommager ou fissurer les vis.
6. Installez les couvercles des bouchons.



## Installation du Coit (suite)

7. Installez la rondelle et la vanne en T de sur le robinet principal d'alimentation en eau de votre mur (utilisez un adaptateur 3/8" ou 1/2" en fonction de la taille de votre connexion).

8. Raccordez les tuyaux d'alimentation en eau.

- Raccordez le tuyau d'alimentation de la chasse d'eau au côté de la vanne en T et fixez-le.
- Raccordez le tuyau d'alimentation du bidet au sommet du robinet en T et fixez-le.

9. Ouvrez l'alimentation en eau.

- Ouvrez lentement la vanne d'alimentation en eau principale et vérifiez s'il y a des fuites au niveau de la vanne en T et des raccords de tuyau sous le bidet.
- Attendez 30 minutes, vérifiez à nouveau et, s'il n'y a pas de fuites, continuez.

10. Branchez le cordon d'alimentation dans une prise électrique avec disjoncteur de fuite de terre.

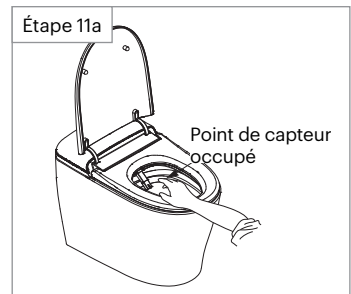
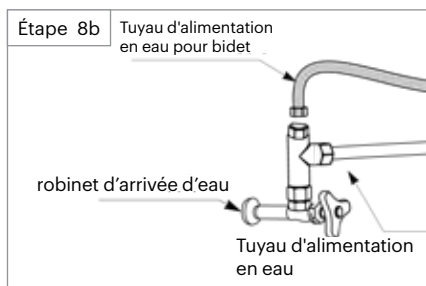
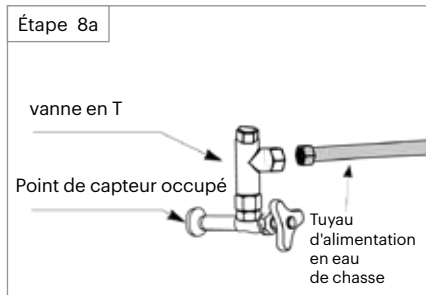
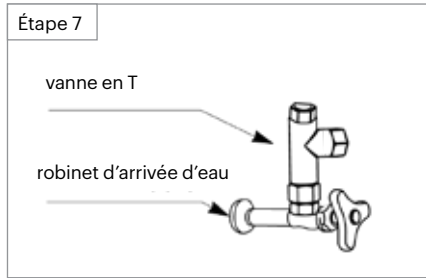
- Une fois sous tension, l'appareil effectue un test de diagnostic initial; les lumières s'allument, la buse se déploie et l'eau s'écoule dans le système. Une fois que les lumières s'éteignent, le test de diagnostic est terminé.

**REMARQUE :** Veillez à n'utiliser qu'une prise avec disjoncteur de fuite de terre, car en cas de court-circuit, une prise avec disjoncteur de fuite de terre peut aider à éviter les chocs électriques ou les blessures.

11. Testez le WC bidet intégré Coit.

- Assurez-vous que toutes les options fonctionnent correctement en plaçant votre main sur la zone du capteur du siège pour activer l'unité. Vérifiez les fonctions de lavage arrière et avant, y compris la pression de l'eau, le réglage de la position de la buse et le réglage de la température de l'eau.

**REMARQUE :** Utilisez votre main ou une tasse pour bloquer le jet afin d'éviter de pulvériser de l'eau à l'extérieur des toilettes.



**REMARQUE :** Après avoir testé les fonctions, il est conseillé d'appliquer un mastic de silicone autour de la base des toilettes pour garantir une bonne étanchéité. Attendez au moins 24 heures avant d'utiliser les toilettes après l'application du silicone.

## Télécommande

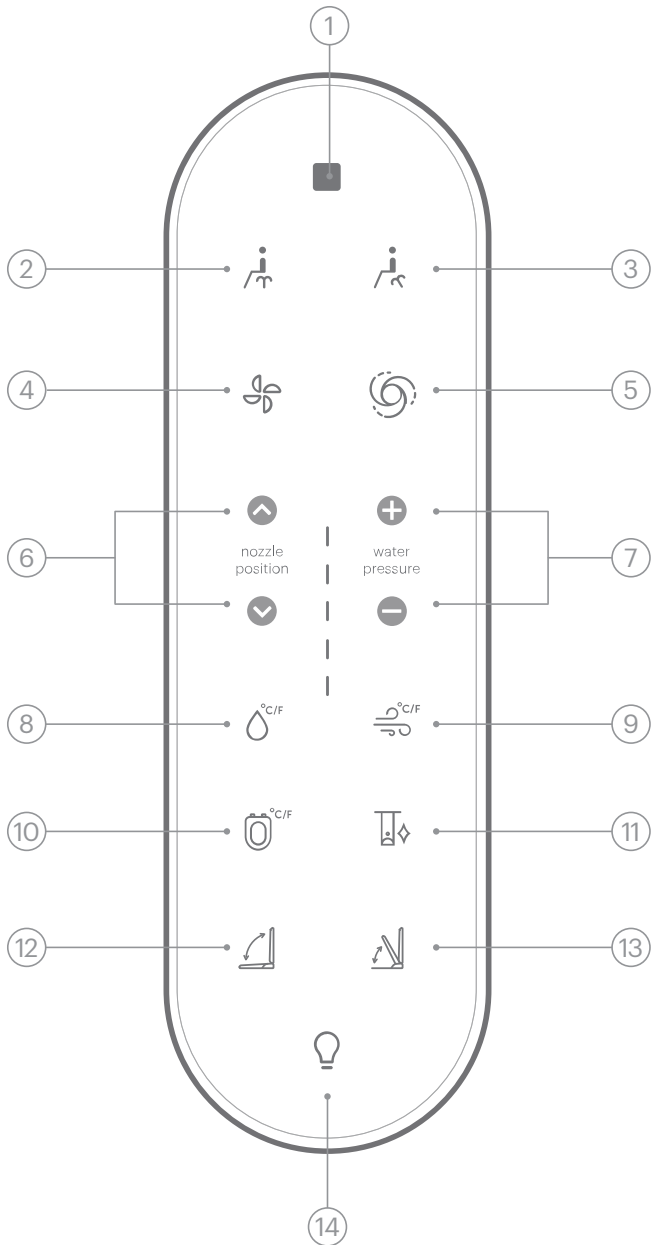
1. Insérez les piles AAA.
  - a. Ouvrez le couvercle du compartiment des piles à l'arrière de la télécommande en tirant sur la languette pour libérer le couvercle.
  - b. Insérez deux piles AAA (incluses), assurez-vous que les piles sont correctement installées.
  - c. Remplacez le couvercle du compartiment des piles.
2. Installation du support (facultatif).
  - a. Identifiez dans la pièce un emplacement pour la télécommande qui soit visible et accessible depuis le siège.
  - b. Utilisez les vis de montage fournies ou retirez la protection de la bande adhésive à l'arrière du support de télécommande; accrochez le support à l'endroit souhaité de façon sûre afin d'éviter qu'il ne se décroche, ce qui endommagerait la télécommande.

**REMARQUE :** La télécommande est appariée au produit par défaut en usine. Si la télécommande ne fonctionne pas correctement, vérifiez les piles ou associez à nouveau la télécommande en suivant les instructions d'appairage ci-dessous.

### Instructions d'appairage de la télécommande

1. Débranchez l'appareil.
2. Maintenez le bouton d'arrêt de la télécommande enfoncé jusqu'à ce que les voyants DEL de la télécommande commencent à clignoter.
3. Pendant que les voyants clignotent encore, rebranchez l'appareil dans la prise avec disjoncteur de fuite de terre.
4. Les voyants cessent de clignoter et la télécommande est maintenant appariée à l'appareil.

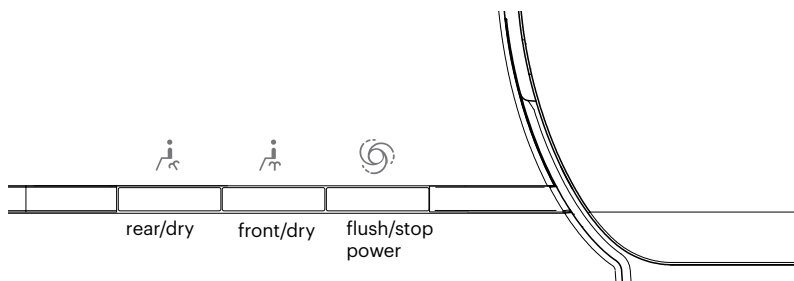
# Télécommande (suite)



## Télécommande (suite)

1. **Bouton Arrêt**  
Arrête toutes les fonctions de lavage et de séchage en cours d'utilisation.
2. **Bouton Lavage arrière/Oscillation**  
Appuyez une première fois pour activer le lavage arrière pendant 2 minutes. Appuyez une nouvelle fois pour activer l'oscillation de la buse (cette dernière se déplace d'avant en arrière de façon répétée).
3. **Bouton Lavage avant/Oscillation**  
Appuyez une première fois pour activer le lavage avant pendant 2 minutes. Appuyez une nouvelle fois pour activer l'oscillation de la buse (cette dernière se déplace d'avant en arrière de façon répétée).
4. **Bouton du sècheur à air de pointe**  
Appuyez une fois pour lancer un cycle de séchage à l'air chaud de 4 minutes. Appuyez à nouveau sur ce bouton pour régler les 3 vitesses du ventilateur (basse, moyenne, haute). **REMARQUE :** l'appareil se rince automatiquement lorsque vous lancez le séchage à l'air chaud. Pour désactiver le rinçage automatique avant le séchage, allez à la page 97.
5. **Bouton de chasse d'eau**  
Appuyez sur ce bouton pour tirer la chasse d'eau. **REMARQUE :** La chasse d'eau se déclenche automatiquement 6 secondes après que vous ayez quitté le siège.
6. **Bouton de position de la buse**  
Appuyez pour régler la position de la buse vers l'avant ou vers l'arrière pendant un cycle de lavage. Les réglages seront sauvegardés pour la prochaine utilisation.
7. **Bouton de pression d'eau**  
Appuyez sur ce bouton pour régler 5 pressions d'eau pendant le lavage. Les réglages seront enregistrés pour la prochaine utilisation.
8. **Température de l'eau**  
Appuyez sur le bouton de température de l'eau pour régler la température de l'eau de sortie sur l'un des 6 réglages suivants (Arrêt, Niveau 1 = 87,8°F / 31°C; Niveau 2 = 91,4°F / 33°C; Niveau 3 = 95,0°F / 35°C; Niveau 4 = 98,6°F / 37°C; Niveau 5 = 102,2°F / 39°C). Les paramètres seront sauvegardés pour la prochaine utilisation.
9. **Bouton de température du sècheur**  
Appuyez sur ce bouton pour régler la température du sècheur à air chaud sur 4 niveaux. Les réglages sont enregistrés pour la prochaine utilisation. **REMARQUE :** La température du sècheur varie en fonction de la température de l'air ambiant de la pièce.
10. **Température du Siège**  
Appuyez sur le bouton de température du siège pour régler la température du siège sur l'un des 6 réglages suivants (Arrêt, Niveau 1 = 86,0°F / 30°C, Niveau 2 = 89,6°F / 32°C, Niveau 3 = 93,2°F / 34°C, Niveau 4 = 96,8°F / 36°C, Niveau 5 = 102,2°F / 39°C). Les paramètres seront sauvegardés pour la prochaine utilisation.
11. **Bouton Nettoyage de la buse**  
Appuyez pour lancer un cycle automatique de 2 minutes nettoyage des buses lorsque vous n'êtes pas assis ou lorsque le capteur de siège est désactivé. Pour plus d'instructions d'entretien des buses, voir page 103.
12. **Bouton d'ouverture/fermeture du couvercle**  
Appuyez sur ce bouton pour ouvrir le couvercle. Appuyez à nouveau pour le fermer. Si le couvercle et le siège sont tous deux relevés, le fait d'appuyer sur ce bouton fermera le siège et le couvercle et la chasse d'eau sera tirée. **REMARQUE :** L'unité est équipée par défaut d'un couvercle qui s'ouvre automatiquement lorsque vous vous approchez du siège. Pour désactiver cette fonction, allez à la page 99.
13. **Bouton d'ouverture/fermeture du siège**  
Appuyez sur ce bouton pour ouvrir le couvercle et le siège. Appuyez à nouveau pour fermer le siège uniquement. Le couvercle et/ou le siège se ferment automatiquement au bout de 45 secondes lorsqu'ils ne détectent plus d'utilisateur dans un rayon de 3 pieds.
14. **Bouton veilleuse**  
Appuyez sur ce bouton pour activer ou désactiver la veilleuse de la cuvette des toilettes. **REMARQUE :** Cet appareil est équipé d'une veilleuse à détection automatique qui s'allume ou s'éteint automatiquement en fonction de la quantité de lumière dans la pièce.

## Panneau de contrôle auxiliaire



### Lavage / Séchage arrière

Appuyez sur cette touche pour obtenir une fonction de lavage et de séchage arrière automatique (voir page 97 pour plus de détails).

### Lavage / Séchage avant

Appuyez sur cette touche pour obtenir une fonction de lavage et de séchage avant automatique (voir page 97 pour plus de détails).

### Chasse d'eau / Arrêt / Alimentation

Appuyez pour arrêter toutes les fonctions de lavage ou de séchage Appuyez sans vous asseoir pour déclencher la chasse d'eau Appuyez et maintenez enfoncé pendant 3 secondes pour éteindre l'appareil lorsque vous n'êtes pas assis.

### Capteur de lumière

Ce capteur détecte la quantité de lumière environnante et active la veilleuse. Si la pièce est sombre, la veilleuse s'allume automatiquement. Si la pièce est lumineuse, la veilleuse s'éteint automatiquement.

## Utilisation du Coit

**REMARQUE :** Le Coit a un capteur de siège intégré. Les fonctions de lavage ne s'activeront pas tant que le capteur n'aura pas détecté qu'une personne est assise. Pour passer outre le capteur de présence, veuillez vous référer aux instructions à la page 99.

### Préparation au lavage

Asseyez-vous sur le siège pour déclencher le capteur de présence. Une fois le contact établi, le siège :

1. émet un bip sonore pour vous indiquer que le capteur du siège a été activé;
2. lance un pré-rinçage de la cuvette pour préparer l'utilisation;
3. si le bidet est réglé sur le mode Éco, la température du siège augmente jusqu'à la température précédemment réglée.

### Lavage à l'eau chaude

Lorsque vous êtes prêt(e), appuyez sur le bouton Lavage arrière ou Lavage avant sur la télécommande pour lancer un cycle de lavage. La buse effectue un auto-nettoyage, se déploie dans la cuvette, projette de l'eau pendant 4 minutes, s'éteint automatiquement, se rétracte et effectue un nouvel auto-nettoyage.

1. Pendant un lavage, l'utilisateur peut régler la température de l'eau, la pression de l'eau ainsi que la position de la buse.
2. Si vous souhaitez mettre fin au lavage avant la fin du cycle de 4 minutes, appuyez sur le bouton Arrêt pour arrêter l'écoulement d'eau.

### Sécheur à air chaud

Appuyez sur le bouton de séchage à air de pointe pour lancer un cycle de séchage à l'air chaud. Le sécheur fonctionnera pendant 4 minutes et s'éteindra automatiquement.

1. Pendant que le sécheur fonctionne, l'utilisateur peut appuyer plusieurs fois sur la touche « advanced air dry » (séchage à air de pointe) pour régler la vitesse du ventilateur sur faible, moyenne ou élevée.
2. La température peut également être réglée sur 4 niveaux différents à l'aide de la touche « dryer temperature » (température du sécheur). Le réglage de la température s'affiche sur les témoins lumineux de la télécommande.
3. Pour arrêter le sécheur en cours de cycle, appuyez sur le bouton d'arrêt.

### Désodorisant

Cet appareil est équipé d'un désodorisant automatique qui se met en marche lorsque le capteur de siège est activé. Le désodorisant continue de fonctionner pendant 3 minutes après que l'utilisateur a quitté le siège.

**REMARQUE :** Le désodorisant ne se met pas en marche si le capteur de siège est neutralisé. Pour désactiver le désodorisant automatique, appuyez sur le bouton de température du sécheur et maintenez-le enfoncé pendant 3 secondes. L'appareil émet un signal sonore pour confirmer les réglages enregistrés.

# Mode automatique, pré-rinçage, chasse d'eau automatique et bouton à commande au pied

### Mode automatique

Appuyez sur le bouton de lavage arrière ou avant du panneau de contrôle auxiliaire pour activer le mode automatique. En mode automatique, les paramètres de lavage suivants seront réglés :

- Température du siège réglée au niveau 3
- Mouvement (oscillation de la buse) activé
- Pression de l'eau réglée au niveau 3
- Température de l'eau réglée au niveau 3
- Niveau de température du sècheur réglé au niveau 3

En appuyant sur le bouton de lavage arrière ou avant sur le panneau de contrôle auxiliaire pendant le cycle de lavage, le lavage s'arrêtera et la fonction de séchage commencera.

Une fois le cycle de lavage terminé, le mode automatique lance un rinçage suivi d'un cycle de séchage à l'air chaud de 4 minutes sur le panneau de contrôle auxiliaire. Le fait d'appuyer sur le bouton de lavage arrière ou avant pendant le cycle de séchage permet de régler la vitesse du ventilateur.

**REMARQUE :** Vous pouvez présélectionner les réglages de lavage et de séchage souhaités sur la télécommande avant de démarrer le mode automatique, sinon tous les paramètres seront par défaut au niveau 3.

### Pré-rinçage

Lorsque le capteur de siège est activé, l'appareil effectue un pré-rinçage de la cuvette pour aider à lutter contre l'accumulation de débris et les taches. Appuyez sur la flèche vers le haut pendant 3 secondes pour désactiver cette fonction.

### Chasse d'eau automatique

Le mode de chasse d'eau automatique est activé par défaut en usine. La chasse d'eau se déclenche automatiquement lorsqu'elle détecte qu'un utilisateur a quitté le siège après 6 secondes ou plus.

Pour désactiver le mode de chasse d'eau automatique, appuyez sur la flèche vers le bas pendant 3 secondes. L'appareil émettra deux bips pour confirmer l'enregistrement des paramètres. Pour réactiver le rinçage automatique, répétez l'étape ci-dessus. L'appareil émettra un bip pour confirmer les paramètres enregistrés.

### Rinçage automatique avant séchage

Par défaut, l'unité se rince lorsque le sècheur à air de pointe est activé. Appuyez sur le bouton du sècheur et maintenez-le enfoncé pendant 3 secondes pour désactiver la fonction de rinçage avant séchage.

**REMARQUE :** La fonction de rinçage avant séchage ne fonctionnera pas si une commande de rinçage a été effectuée auparavant.

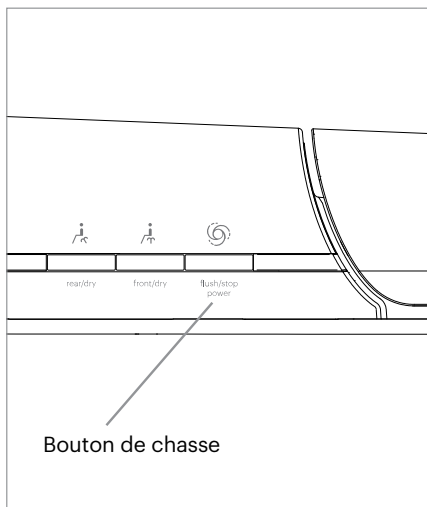
### Bouton à commande au pied

Le bouton de commande au pied permet d'ouvrir le couvercle et le siège, et de déclencher la chasse d'eau pour une utilisation sans les mains. Appuyez une fois sur le bouton pour ouvrir le couvercle, appuyez à nouveau pour ouvrir le siège, appuyez une troisième fois pour déclencher la chasse d'eau; le siège et le couvercle se refermeront avant le début du cycle de chasse.

## Chasse d'eau manuelle, mode éco et veilleuse

### Chasse d'eau manuelle

En cas de panne de courant ou de dysfonctionnement de la télécommande, la commande de chasse d'eau peut être activée à l'aide du bouton de chasse d'eau situé sur le côté droit du siège lorsque l'on est assis sur les toilettes.



### Mode Éco

En mode Éco, la température du siège est chauffée à 30° C lorsque le bidet n'est pas utilisé. Dès qu'une personne s'assoit sur le siège, la température revient au dernier réglage utilisé.

Pour activer le mode Éco, appuyez sur le bouton de température de l'eau et maintenez-le enfoncé pendant 3 secondes. L'appareil émet un signal sonore indiquant que le réglage a été enregistré.

### Veilleuse

Cet appareil est doté d'une veilleuse à détection automatique qui s'allume ou s'éteint automatiquement en fonction de la luminosité de la pièce. Appuyez une fois sur le bouton de la veilleuse pour désactiver la veilleuse à détection automatique. La veilleuse ne s'allumera plus. Appuyez à nouveau sur le bouton de la veilleuse pour réactiver la veilleuse à détection automatique.

Appuyez sur le bouton « veilleuse » de la télécommande et maintenez-le enfoncé pendant 3 secondes pour allumer ou éteindre définitivement la veilleuse, quelle que soit la luminosité de la pièce.

**REMARQUE :** la veilleuse à détection automatique ne fonctionnera pas si elle est allumée ou éteinte en permanence.

## Capteur de siège, ouverture automatique du couvercle et mode silencieux

### Capteur de siège

Le capteur de siège est activé par défaut en usine. Appuyez sur le bouton d'ouverture du siège et maintenez-le enfoncé pendant 3 secondes pour désactiver le capteur de siège situé dans le siège. Cela permet aux fonctions de lavage et de séchage de fonctionner sans que le capteur ne soit activé. Soyez prudent avec ce mode pour éviter de pulvériser de l'eau à l'extérieur des toilettes lorsque vous n'êtes pas assis.

### Couvercle à ouverture automatique

Par défaut, le couvercle s'ouvrira automatiquement à l'approche des toilettes. Appuyez et maintenez le bouton d'ouverture du couvercle pendant 3 secondes pour désactiver cette fonction.

**REMARQUE :** La sensibilité du couvercle à ouverture automatique peut varier en fonction de l'installation et de la configuration de votre salle de bain.

Le couvercle peut toujours s'ouvrir automatiquement en utilisant le bouton d'ouverture du couvercle ou du siège sur la télécommande.

### Activation / désactivation du mode silencieux

Par défaut, le Coit émet un bip pour confirmer les commandes de la télécommande et du panneau de contrôle auxiliaire. Appuyez sur le bouton de température du siège et maintenez-le enfoncé pendant 3 secondes pour activer le mode silencieux. L'appareil émet un bip pour confirmer le nouveau réglage. Appuyez à nouveau sur la touche de température du siège et maintenez-la enfoncée pendant 3 secondes pour désactiver le mode silencieux. L'appareil émet deux bips pour confirmer le nouveau réglage.

## Remplacement de la batterie de la chasse d'eau d'urgence

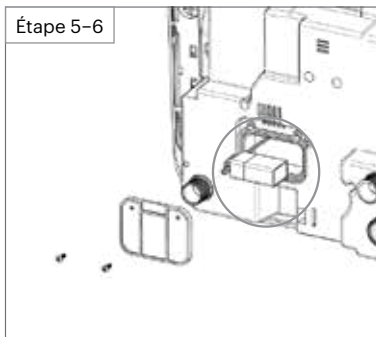
Si l'unité n'est pas alimentée et que la chasse d'eau ne s'effectue pas à l'aide du bouton de chasse d'eau situé sur le panneau de contrôle auxiliaire, il se peut que la batterie soit épuisée. Suivez les instructions ci-dessous pour remplacer la batterie 9 V.

1. Éteignez l'appareil et débranchez le cordon d'alimentation.
  2. Fermez le robinet d'arrivée d'eau au mur et retirez le tuyau du bidet et le tuyau de la chasse d'eau de la vanne en T.
- REMARQUE :** Vous aurez besoin d'un seau ou d'une serviette pour récupérer l'eau résiduelle dans les tuyaux et le robinet.
3. Retirez le bidet supérieur en saisissant les coins arrière du bidet et en tirant doucement mais fermement vers le haut et vers vous pour dégager le bidet de la base en céramique. Veillez à ne pas endommager les tuyaux, les cordons d'alimentation ou les raccords lorsque vous retirez le bidet.
  4. Retirez les quatre tuyaux pour faciliter l'accès au compartiment de la batterie.
  5. Utilisez un tournevis cruciforme pour desserrer les vis et retirer le couvercle.
  6. Déconnectez délicatement la batterie 9 V du fil de la borne et remplacez-la par une nouvelle batterie 9 V. Assurez-vous d'avoir correctement connecté les polarités et remettez le couvercle du compartiment en place.
  7. Raccordez tous les tuyaux au bas du bidet. Assurez-vous que tous les raccords sont parfaitement sécurisés (Reportez-vous au schéma de raccordement des tuyaux à la page 105 pour connaître les raccordements corrects).
  8. Faites passer le tuyau du bidet, le tuyau de la chasse d'eau et le cordon d'alimentation dans la cavité de la base en céramique, en veillant à ce qu'aucun des tuyaux d'alimentation en eau ne soit pincé ou entortillé.
  9. Réinstallez le siège du bidet sur la base en céramique; appuyez uniformément jusqu'à ce que vous entendiez le bidet se mettre en place.
  10. Raccordez le tuyau de chasse d'eau et le tuyau du bidet à la vanne en T.
  11. Ouvrez lentement la vanne d'alimentation en eau principale et vérifiez s'il y a des fuites au niveau de la vanne en T et des raccords de tuyau sous le bidet. Attendez 30 minutes et vérifiez à nouveau qu'il n'y a pas de fuites avant de rebrancher l'appareil sur la prise GFCI.
  12. Appuyez sur le bouton de rinçage pour vérifier si l'appareil se vide. Si l'appareil ne se vide toujours pas, reportez-vous à la section Dépannage à la.

Étape 3



Étape 5-6



## Nettoyage des filtres à tamis

### Nettoyage des filtres à tamis

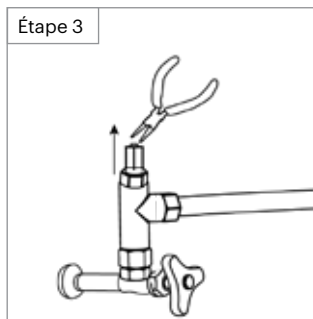
Si votre Coit semble subir une perte de pression d'eau, il se peut que vos filtres à tamis soient sales ou obstrués et qu'ils doivent être nettoyés. Suivez les étapes ci-dessous pour nettoyer les filtres. Si le problème de pression n'est pas résolu après le nettoyage, consultez la section Dépannage à la fin de ce manuel pour connaître les autres solutions possibles.

#### Nettoyage du filtre à tamis de la vanne en T

1. Retirez le cordon d'alimentation de la prise murale.
2. Fermez le robinet d'arrivée d'eau au mur.
3. Retirez le tuyau supérieur du bidet de la vanne en T uniquement. Utilisez une pince pour retirer le filtre à tamis.

**REMARQUE :** Vous aurez besoin d'un seau ou d'une serviette pour récupérer l'eau résiduelle dans les tuyaux et la valve.

4. Nettoyez le filtre à tamis avec de l'eau et une brosse douce, puis réinsérez-le dans la vanne en T, avec le côté X tourné vers le haut. Assurez-vous que le filtre est poussé à fond et raccordez le tuyau du bidet jusqu'à ce qu'il soit bien fixé.
5. Ouvrez lentement la vanne d'alimentation en eau principale et vérifiez s'il y a des fuites au niveau de la vanne en T et des raccords de tuyau sous le bidet. Attendez 30 minutes et vérifiez à nouveau qu'il n'y a pas de fuite avant de rebrancher l'appareil dans la prise GFCI.

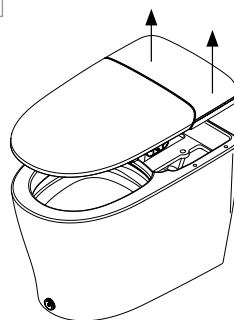


## Nettoyage des filtres à tamis (suite)

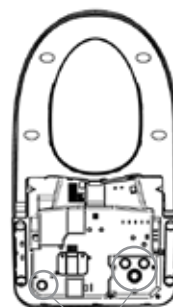
### Nettoyage des filtres à tamis de l'entrée du bidet

1. Éteignez l'appareil et débranchez le cordon d'alimentation.
2. Fermez le robinet d'arrivée d'eau au mur et retirez le tuyau du bidet et le tuyau de rinçage de la vanne en T. Vous aurez besoin d'un seau ou d'une serviette pour récupérer l'eau résiduelle dans les tuyaux et la valve.
3. Retirez l'unité supérieure du bidet en saisissant les coins arrière du bidet et en tirant doucement mais fermement vers vous pour libérer le bidet de la base en céramique. Veillez à ne pas endommager les tuyaux, les cordons d'alimentation ou les raccords lorsque vous retirez le bidet.
4. Soulevez le bidet pour en exposer le fond et repérez le grand tuyau d'alimentation en eau de rinçage et les raccords du tuyau du bidet.
5. Retirez les tuyaux et retirez les filtres à tamis à l'aide d'une pince.
6. Nettoyez les filtres à tamis avec de l'eau et une brosse douce, puis réinsérez-les dans les entrées du bidet, avec le côté X vers le haut. Assurez-vous que les filtres sont bien enfoncés.
7. Raccordez les tuyaux et faites passer le tuyau du bidet, le tuyau de la chasse d'eau et le cordon d'alimentation dans la cavité de la base en céramique, en veillant à ce qu'aucun des tuyaux d'alimentation en eau ne soit pincé ou entortillé (Reportez-vous au schéma de raccordement des tuyaux à la page 105 pour connaître les raccordements corrects).
8. Réinstallez le siège du bidet sur la base en céramique; appuyez uniformément jusqu'à ce que vous entendiez le bidet se mettre en place.
9. Raccordez le tuyau de chasse d'eau et le tuyau du bidet à la vanne en T.
10. Ouvrez lentement la vanne d'alimentation en eau principale et vérifiez s'il y a des fuites au niveau de la vanne en T et des raccords de tuyau sous le bidet. Attendez 30 minutes et vérifiez à nouveau qu'il n'y a pas de fuite avant de rebrancher l'appareil sur la prise GFCI.

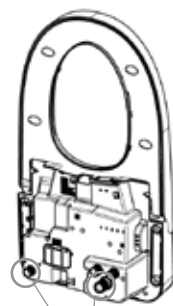
Étape 3



Étape 5



4 tuyaux



2 filtres

## Nettoyage de l'évent du désodorisant

### Nettoyage de l'évent du désodorisant

Le désodorisant est équipé d'un couvercle d'évent qui empêche la poussière et les particules de pénétrer dans le filtre du désodorisant. Avec le temps, l'évent peut se couvrir de poussière, ce qui peut nuire à l'efficacité du désodorisant. Il convient donc de le vérifier et de le nettoyer régulièrement.

1. Éteignez l'appareil et débranchez le cordon d'alimentation.
2. Fermez le robinet d'arrivée d'eau au mur et retirez le tuyau du bidet et le tuyau de rinçage de la vanne en T.

**REMARQUE :** Vous aurez besoin d'un seau ou d'une serviette pour récupérer l'eau résiduelle dans les tuyaux et la valve.

3. Retirez l'unité supérieure du bidet en saisissant les coins arrière du bidet et en tirant doucement, mais fermement vers vous pour dégager le bidet de la base en céramique. Veillez à ne pas endommager les tuyaux, les cordons d'alimentation ou les raccords lorsque vous retirez le bidet.

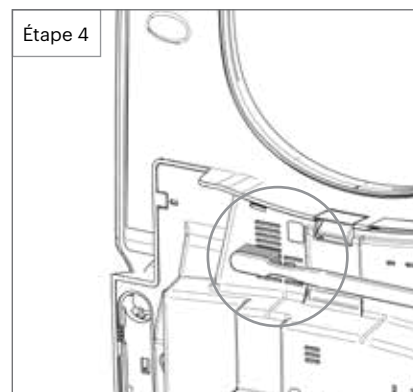
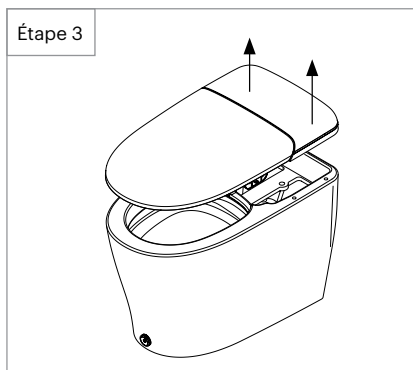
4. À l'aide d'un chiffon doux ou d'une brosse à dents, brossez délicatement la poussière de l'évent.

5. Faites passer le tuyau du bidet, le tuyau de la chasse d'eau et le cordon d'alimentation dans la cavité de la base en céramique, en veillant à ce qu'aucun des tuyaux d'alimentation en eau ne soit pincé ou plié.


6. Réinstallez le siège du bidet sur la base en céramique; appuyez uniformément jusqu'à ce que vous entendiez le bidet se mettre en place.

7. Raccordez le tuyau de chasse d'eau et le tuyau du bidet à la vanne en T.

8. Ouvrez lentement la vanne d'alimentation en eau principale et vérifiez s'il y a des fuites au niveau de la vanne en T et des raccords de tuyau sous le bidet. Attendez 30 minutes et vérifiez à nouveau qu'il n'y a pas de fuite avant de rebrancher l'appareil.



## Nettoyage du siège & de la buse

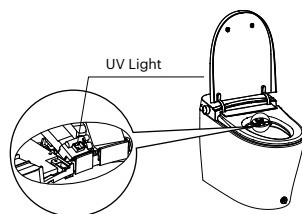
 Débranchez le bidet intégré de la source d'alimentation avant de nettoyer le siège.

Utilisez un chiffon doux et humide et un nettoyant doux (comme du nettoyant à vaisselle, Simple Green ou Windex) pour essuyer le siège. Ne récuriez pas et n'utilisez pas de produits abrasifs pour nettoyer le Swash. N'UTILISEZ PAS de diluant, de benzène, de produits chimiques acides, de chlorure ou de détergent à base d'acide chlorhydrique : cela pourrait entraîner la corrosion des parties métalliques ou une décoloration ou des rayures sur le corps du bidet.

**REMARQUE :** Faites attention de ne pas laisser de produits cosmétiques et de produits ménagers en contact avec le siège du bidet; cela pourrait entraîner une décoloration irréversible. La plupart des taches peuvent être éliminées en utilisant un mélange 50/50 d'alcool isopropylique et d'eau ainsi qu'un chiffon doux ou un linge. Toutefois, des taches permanentes peuvent apparaître lorsque certaines substances sont laissées sur le siège alors que le chauffage du siège était activé. Méfiez-vous des produits ménagers et des produits cosmétiques (y compris, mais sans s'y limiter, les produits capillaires et désodorisants à vaporiser, les lotions, les produits de douche, les auto-bronzants, les beurres corporels et les huiles) qui entrent en contact avec le siège. Lavez toutes les substances qui entrent en contact avec le siège dès que possible.

### Nettoyage des buses par UV

Cette unité comprend une lumière ultraviolette (UV) pour un nettoyage intensif des buses, qui s'active automatiquement 10 secondes après que l'utilisateur a quitté le siège. La lumière UV reste active pendant 3 minutes. Si le siège est activé pendant ces 3 minutes, la lumière UV s'éteint.

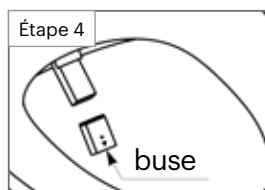
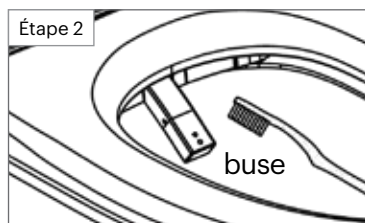


### Nettoyage de la buse (à main)

1. Appuyez sur le bouton Nettoyage de la buse pendant 3 secondes et la buse se déploie.

**REMARQUE :** La fonction de nettoyage de la buse ne fonctionnera pas lorsque le siège est occupé ou si le capteur du siège est désactivé. Nettoyez doucement la buse à la main avec un chiffon doux ou une brosse à dents. Ne tenez pas ou n'appuyez pas avec force sur la buse, sous peine de l'endommager.

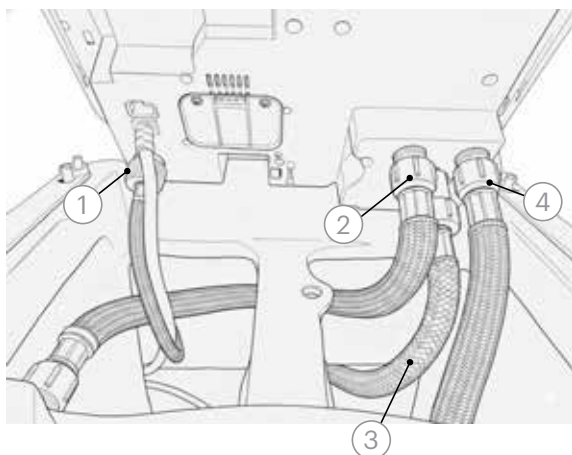
2. Nettoyez doucement la buse à la main avec un chiffon doux ou une brosse à dents. Ne tenez pas ou n'appuyez pas avec force sur la buse, sous peine de l'endommager.
3. L'embout de la buse peut être retiré pour effectuer un nettoyage en profondeur.
4. La buse se rétracte automatiquement au bout de 4 minutes. The nozzle will automatically retract after 4 minutes.



## Schéma de raccordement des tuyaux

### Tuyaux d'alimentation en eau

1. Tuyau de bidet
2. Tuyau de rinçage de la cuvette
3. Tuyau d'eau de chasse principal
4. Tuyau de chasse à jet



### Raccords des tuyaux de rinçage

Utilisez ce guide pour vous assurer que les tuyaux de rinçage sont correctement raccordés si vous devez les déconnecter à un moment donné.

1. Retirez l'unité de bidet supérieure en saisissant les coins arrière supérieurs du bidet et en tirant doucement mais fermement vers vous pour le détacher de la base en céramique. Veillez à ne pas endommager les tuyaux, les cordons d'alimentation ou les raccords lorsque vous retirez le bidet.
2. Assurez-vous que le tuyau de rinçage de la cuvette est raccordé au petit raccord d'arrivée situé à gauche lorsque vous faites face au réservoir.
3. Assurez-vous que le tuyau de rinçage à jet est raccordé au petit raccord d'entrée situé à droite lorsque vous faites face au réservoir.

**REMARQUE :** Si les raccords des tuyaux sont inversés, l'appareil ne fonctionnera pas correctement.

## Remisage du produit

### Remisage du produit

#### Non-utilisation à court terme

Si le siège doit rester inutilisé pendant plus de quelques semaines, vous pouvez tout simplement le débrancher. Vous pouvez également fermer le robinet d'arrivée d'eau par précaution supplémentaire.

#### Non-utilisation à long terme

Si le siège doit rester inutilisé pendant une période prolongée (plus de 4 mois), vous devez débrancher l'appareil, fermer le robinet d'arrivée d'eau au niveau du mur, puis retirer le siège bidet de la toilette. Pour retirer le siège, appuyez sur le bouton de libération rapide et faites glisser le siège vers l'avant pour le dégager de la plaque de montage et de la cuvette. Retirez le tuyau du bidet.

**REMARQUE :** En hiver, l'eau à l'intérieur peut geler après de longues périodes de stockage et d'inutilisation. Avant de raccorder le produit à l'alimentation en eau et à la prise électrique, laissez-le dégeler pendant 30 minutes dans un environnement intérieur chaud. En cas de froid extrême ou de gel, enveloppez le tuyau d'alimentation en eau avec une serviette chaude. Ne jamais verser d'eau chaude ou utiliser un sèche-cheveux directement sur ou dans le bidet ou les toilettes.

## Dépannage

Si le bidet ne semble pas fonctionner correctement, veuillez passer en revue les conseils de dépannage avant d'appeler le centre de service Brondell, car la plupart des problèmes sont facilement résolus en quelques étapes simples. Si vous ne parvenez pas à résoudre le problème après avoir vérifié les éléments suivants, rendez-vous sur [Brondell.com/Support](http://Brondell.com/Support) et complétez notre formulaire de demande d'assistance en ligne ou appelez notre équipe d'assistance clientèle au 1-888-542-3355 (du lundi au vendredi de 8 h à 14 h HNP).

### Vérifiez les points suivants avant de poursuivre :

- Assurez-vous que le siège bidet est branché et que la prise de courant fonctionne correctement.
- Assurez-vous de vérifier et de tester le bouton de réinitialisation de la prise DFT (prise DFT standard de 120 V).
- Assurez-vous que le robinet d'arrivée d'eau est ouvert.
- Assurez-vous que le siège n'est pas en mode Éco standard ou haute efficacité.
- Confirmez qu'il n'y a aucune fuite au niveau des tuyaux ou de l'arrivée d'eau.
- Assurez-vous que le filtre à tamis est propre et libre de toute obstruction ou débris (voir page 101-102).
- Après avoir vérifié les éléments ci-dessus, référez-vous au tableau de dépannage suivant pour des solutions supplémentaires.

Problème	Cause possible	Solution
L'appareil ne fonctionne pas.	<ol style="list-style-type: none"> <li>1. L'appareil est éteint.</li> <li>2. La fiche d'alimentation est débranchée.</li> <li>3. La prise n'est pas alimentée.</li> </ol>	<ol style="list-style-type: none"> <li>1. Appuyez sur le bouton marche/arrêt du panneau de contrôle auxiliaire situé sur le côté gauche de l'appareil (lorsque vous faites face à l'appareil).</li> <li>2. Assurez-vous que la fiche est bien branchée. Vérifiez et réinitialisez la prise GFCI.</li> <li>3. Débranchez l'appareil et branchez un autre appareil dans la prise pour vous assurer qu'il y a du courant.</li> </ol>
Les fonctions de lavage ou de séchage ne fonctionnent pas.	<ol style="list-style-type: none"> <li>1. Le siège n'est pas occupé.</li> <li>2. Si seule la fonction de lavage ne fonctionne pas, il se peut que la vanne d'alimentation en eau soit fermée.</li> </ol>	<ol style="list-style-type: none"> <li>1. La plupart des fonctions ne fonctionnent pas si le siège n'est pas occupé. Un capteur situé à l'intérieur du siège reconnaît le toucher. Assurez-vous qu'il n'y a rien sur le siège qui pourrait bloquer le capteur (p. ex., le couvercle du siège des toilettes, du papier, etc).</li> <li>2. Ajustez votre position assise afin de couvrir complètement le capteur de siège. (Pour l'emplacement du capteur de siège, voir la page 86).</li> <li>3. Si seule la fonction de lavage ne fonctionne pas, il se peut que la vanne d'alimentation en eau soit fermée. Ouvrez la vanne d'alimentation en eau.</li> </ol>
La télécommande ne fonctionne pas	<ol style="list-style-type: none"> <li>1. Les piles sont épuisées.</li> <li>2. La télécommande n'est plus connectée à l'appareil.</li> </ol>	<ol style="list-style-type: none"> <li>1. Remplacez-les par (x2) nouvelles piles AAA.</li> <li>2. Réappariez la télécommande en suivant les instructions d'appariement à la page 92.</li> </ol>

## Dépannage (suite)

Problème	Cause possible	Solution
La pression de l'eau est faible.	<ol style="list-style-type: none"> <li>1. La pression de l'eau est réglée au niveau le plus bas.</li> <li>2. Le ou les filtres à mailles sont obstrués.</li> <li>3. La pression d'eau entrante est inférieure à la pression minimale recommandée (35 psi / 0,24 MPa).</li> <li>4. La vanne d'alimentation en eau est partiellement fermée.</li> <li>5. La buse est sale ou obstruée.</li> <li>6. Le tuyau du bidet est pincé ou plié.</li> </ol>	<ol style="list-style-type: none"> <li>1. Réglez la pression de l'eau à un niveau plus élevé.</li> <li>2. Nettoyez le filtre à mailles (voir pages 101-102).</li> <li>3. La pression d'eau disponible est comprise entre 35 et 108 psi / 0,24 MPa et 0,75 MPa.</li> <li>4. Assurez-vous que le robinet d'alimentation en eau mural est complètement ouvert.</li> <li>5. Si la buse est sale ou obstruée, nettoyez-la en suivant les instructions d'entretien de la page 103.</li> <li>6. Suivez le tuyau du bidet depuis la vanne en T jusqu'à la toilette pour vous assurer qu'il n'est ni pincé ni plié.</li> </ol>
L'eau n'est pas chaude.	La température de l'eau est réglée sur « off » ou sur le niveau le plus bas.	Réglez la température de l'eau à un niveau plus élevé. Vous pouvez également débrancher la toilette pendant 10 minutes, puis la rebrancher à la source d'alimentation.
Le siège n'est pas chauffant.	<ol style="list-style-type: none"> <li>1. La température du siège est réglée sur « off » ou sur le niveau le plus bas.</li> <li>2. Le mode Eco est activé.</li> <li>3. Le bidet doit être réinitialisé.</li> </ol>	<ol style="list-style-type: none"> <li>1. Réglez la température du siège à un niveau plus élevé.</li> <li>2. Désactivez le mode Eco et réessayez après 5 minutes (voir page 98).</li> <li>3. Débranchez la toilette pendant 10 minutes, puis rebranchez-la à la source d'alimentation.</li> </ol>
Le séchoir à air chaud n'est pas chaud.	La température sèche est réglée au niveau le plus bas.	Réglez le niveau de séchage à un niveau plus élevé.
La fonction de chasse d'eau automatique ne fonctionne pas.	<ol style="list-style-type: none"> <li>1. La prise n'est pas alimentée en électricité.</li> <li>2. La chasse d'eau automatique est désactivée.</li> </ol>	<ol style="list-style-type: none"> <li>1. Utilisez la chasse d'eau manuelle en cas de panne de courant. La chasse d'eau automatique devrait fonctionner à nouveau une fois le courant rétabli (voir page 98).</li> <li>2. Réactivez le mode de chasse d'eau automatique (voir page 97).</li> </ol>
La chasse d'eau ne se vide pas complètement ou ne se remplit pas.	<ol style="list-style-type: none"> <li>1. La pression de l'eau est faible.</li> <li>2. Le robinet d'alimentation en eau est partiellement fermé.</li> <li>3. La pression de l'eau ne répond pas aux exigences d'installation.</li> </ol>	<ol style="list-style-type: none"> <li>1. La pression de l'eau peut baisser lorsque d'autres appareils domestiques sont utilisés (par exemple, une autre chasse d'eau, une douche, une laveuse, etc.). Attendez et réessayez de tirer la chasse.</li> <li>2. Assurez-vous que le robinet d'alimentation en eau est complètement ouvert.</li> <li>3. Vérifiez que l'alimentation en eau entrante répond à la pression minimale de fonctionnement de 35 psi (0,24 MPa) et au débit entrant de 9,25 gal/min ou plus.</li> </ol>

**Dépannage (suite)**

Problème	Cause possible	Solution
L'eau s'écoule continuellement dans la cuvette.	<ol style="list-style-type: none"> <li>1. Une coupure de courant s'est produite pendant le cycle de chasse d'eau ou de chasse d'eau automatique.</li> <li>2. Les tuyaux du bidet ou de la chasse d'eau sont mal installés.</li> </ol>	<ol style="list-style-type: none"> <li>1. En cas de coupure de courant pendant l'utilisation de la fonction de rinçage, l'appareil peut continuer à rincer. Fermez le robinet d'alimentation en eau, débranchez l'appareil et cessez de l'utiliser jusqu'au rétablissement du courant.</li> <li>2. Consultez l'illustration à la page 105 pour vous assurer que les tuyaux sont correctement raccordés.</li> </ol>
L'eau ne sort pas de la buse.	<ol style="list-style-type: none"> <li>1. Le robinet d'alimentation en eau est fermé.</li> <li>2. L'alimentation en eau est coupée.</li> <li>3. La buse est sale.</li> <li>4. Les filtres à mailles sont obstrués.</li> <li>5. Le tuyau du bidet est pincé ou plié.</li> </ol>	<ol style="list-style-type: none"> <li>1. Ouvrez le robinet d'alimentation en eau.</li> <li>2. Attendez que l'alimentation en eau soit rétablie.</li> <li>3. Nettoyez la buse (voir page 103).</li> <li>4. Nettoyez les filtres à mailles (voir pages 101-102).</li> <li>5. Suivez le tuyau du bidet depuis la vanne en T jusqu'au bidet pour vérifier s'il n'est pas pincé ou plié, ce qui réduirait le débit d'eau.</li> </ol>
S'éteint pendant l'utilisation.	<ol style="list-style-type: none"> <li>1. La fiche d'alimentation est débranchée.</li> <li>2. La prise n'est pas alimentée.</li> <li>3. L'alimentation électrique est insuffisante.</li> </ol>	<ol style="list-style-type: none"> <li>1. Assurez-vous que la fiche est bien branchée.</li> <li>2. Vérifiez et réinitialisez la prise GFCI. Débranchez l'appareil et branchez un autre appareil dans la prise pour vous assurer qu'elle est alimentée.</li> <li>3. Vérifiez que l'alimentation électrique répond aux spécifications requises (voir pages 81-82).</li> </ol>

**Caractéristiques du produit**

<b>Coit INTEGRATED SMART BIDET TOILET</b>	
Modèle	IBT-1000
Tension d'alimentation	120 V / 60 Hz
Consommation énergétique max	1050 W
Pression de l'arrivée d'eau	35 psi–98 psi / 0,24 MPa–0,67 MPa
Dimensions (L x W x H)	26,9" x 15,11" x 18,58" / 68,3 cm x 38,4 cm x 47,2 cm
Poids	99,2 lb / 45 kg
Température de l'eau entrante	41° F–104° F / 5°C–40°C
Limite de poids du siège	440,93 lb / 200 kg
Limite de poids du couvercle	440,93 lb / 200 kg
<b>APPAREIL DE LAVAGE À L'EAU CHAUDE</b>	
Lavage avant	0,155 gal/min / 0,59 L/min
Lavage arrière	0,161 gal/min / 0,61 L/min
Durée du cycle par défaut	4 minutes
Consommation énergétique max.	5 les niveaux
Réglage de la température de l'eau	Niveau 1 = 87,8°F / 31°C; Niveau 2 = 91,4°F / 33°C; Niveau 3 = 95,0°F / 35°C; Niveau 4 = 98,6°F / 37°C; Niveau 5 = 102,2°F / 39°C
Max Heater Power Consumption	1050 W
Systèmes de sécurité	Thermostat papillon, fusible thermique, capteur de débit
<b>SIÈGE CHAUFFANT</b>	
Réglage de la température du siège	6 les niveaux: Niveau 1 – Température ambiante; Niveau 2 – 86°F / 30°C; Niveau 3 – 89,6°F / 32°C; Niveau 4 – 93,2°F / 34°C; Niveau 5 – 96,8°F / 36°C; Niveau 6 – 102,2°F / 39°C
Consommation énergétique max. du système de chauffe	40 W
Systèmes de sécurité	Fusible thermique
<b>SÉCHOIR</b>	
Durée du cycle de séchage	4 minutes
Puissance du chauffage	400 W
Plage de température	93,2°F –131°F / 34°C – 55°C (la plage varie en fonction de la température de l'air ambiant)
Dispositifs de sécurité	Fusible thermique, bi-métal

**Caractéristiques du produit (suite)**

<b>TOILETTE</b>	
Volume de la chasse d'eau	1,28 gpf / 4,8 lpf
Type de chasse d'eau	Double débit de chasse et siphon puissant
Raccordement	12"
<b>TÉLÉCOMMANDE</b>	
Type d'équipement	Télécommande à radiofréquence
Puissance électrique	DC3V (2x 1,5V AAA battery)
Fréquence de fonctionnement	2,4G
Type de modulation	GFSK

## Avis relatifs à la réglementation et à la sécurité

### États-Unis : Déclaration de la FCC (Federal Communications Commission)

Cet appareil est conforme à la partie 15 des règles de la FCC. Son fonctionnement est assujéti aux deux conditions suivantes :

1. Cet appareil ne doit pas provoquer d'interférences nuisibles, et
2. Cet appareil doit accepter toutes les interférences qu'il reçoit, y compris les parasites pouvant nuire à son fonctionnement.

### Avertissement de la FCC

Les changements et modifications apportés à cet appareil et non expressément autorisés par la partie responsable de la conformité peuvent annuler le droit de l'utilisateur à utiliser le produit.

Cet appareil doit être installé et utilisé en respectant une distance minimale de 20 cm entre le radiateur et votre corps. Remarque : Cet équipement a été testé et déclaré conforme aux limites d'un appareil numérique de classe B, conformément à la partie 15 des règles de la FCC. Ces limites sont conçues pour fournir une protection raisonnable contre les interférences nuisibles dans une installation résidentielle. Cet équipement génère, utilise et peut émettre de l'énergie radiofréquence. S'il n'est pas installé

et utilisé conformément aux instructions, il

provoquer des interférences nuisibles aux communications radio. Cependant, il n'y a aucune garantie que des interférences ne se produiront pas dans une installation particulière. Si cet équipement provoque des interférences nuisibles à la réception de la radio ou de la télévision, ce qui peut être déterminé en éteignant et en rallumant l'équipement, l'utilisateur est encouragé à essayer de corriger l'interférence par l'une des mesures suivantes :

- Réorientez ou déplacez l'antenne de réception.
- Augmentez la distance entre l'équipement et le récepteur.
- Connectez l'équipement à une prise sur un circuit différent de celui sur lequel le récepteur est connecté.
- Consultez le revendeur ou un technicien radio/TV expérimenté pour obtenir de l'aide.
- Cet appareil est conforme aux exigences de la FCC et d'IC en matière d'exposition aux fréquences radioélectriques dans les environnements publics ou non contrôlés.

### Canada : Déclaration d'Industrie Canada (IC)

Cet appareil est conforme aux exigences

d'IC en matière d'exposition aux fréquences radioélectriques dans les environnements publics ou non contrôlés. Avis d'IC aux utilisateurs (anglais/français) conformément à la dernière édition du texte CNR-GEN :

Cet appareil est conforme aux normes RSS d'exemption de licence d'Industrie Canada.

Son fonctionnement est assujéti aux deux conditions suivantes :

1. Cet appareil ne doit pas provoquer d'interférences, et
2. Cet appareil doit accepter toutes les interférences qu'il reçoit, y compris les parasites pouvant nuire à son fonctionnement.

# Garantie

Les produits Brondell bénéficient de garanties parmi les plus complètes du secteur. Brondell garantit que tous les produits (à l'exception des articles consommables) sont exempts de défauts de matériel et de fabrication dans des conditions normales d'utilisation et d'entretien.

### Garantie résidentielle limitée de 3 ans du KBT-900

- Couverture à 100% de toutes les pièces et de la main d'œuvre pour l'ensemble du produit (à l'exclusion des filtres consommables) pendant les trois premières années à compter de date d'achat originale.

### Garantie commerciale du KBT-900

Période de garantie d'un an à compter de la date d'achat initiale pour tous les produits Brondell. Les garanties peuvent ne pas s'appliquer aux produits qui sont utilisés à des fins commerciales lourdes, à l'hôpital, ou pour d'autres usages intensifs et non résidentiels.

### Exclusions et limitations

1. BRONDELL garantit que ses produits sont exempts de défauts de fabrication dans des conditions normales d'utilisation et d'entretien. Cette garantie s'applique uniquement à l'ACHETEUR D'ORIGINE.

2. Les obligations de BRONDELL au titre de la présente garantie se limitent à la réparation ou au remplacement, à la discrétion de BRONDELL, des produits ou pièces reconnus comme étant défectueux, à condition que ces produits aient été correctement installés et utilisés conformément aux instructions. BRONDELL se réserve le droit de procéder aux inspections nécessaires pour déterminer la cause du défaut. BRONDELL ne facturera pas la main-d'œuvre ou les pièces dans le cadre des réparations sous garantie pendant les trois premières années à compter de la date d'achat pour tous les produits, à l'exception de ceux pouvant être soumis à des restrictions d'utilisation commerciale.

3. BRONDELL n'est pas responsable des frais d'enlèvement, de retour (expédition) et/ou de réinstallation des produits.

4. Las variaciones en el color y el acabado de todos los materiales se producirán de forma natural debido a los procesos de fabricación y no se consideran defectos de fabricación.

5. Les rayures, les taches, la réduction de la brillance, la décoloration et les autres effets de l'utilisation de produits chimiques, de l'eau et des conditions atmosphériques ne sont pas considérés comme des défauts de fabrication, mais sont considérés comme une usure normale.

Cette garantie ne s'applique PAS aux :

- Dommages ou pertes survenant pendant le transport.
- Dommages ou pertes dus à des causes naturelles ou causées par l'homme échappant au contrôle de BRONDELL, y compris, mais sans s'y limiter, les incendies, les tremblements de terre, les inondations, etc.
- Dommages ou pertes résultant de sédiments ou de corps étrangers présents dans les circuits d'eau.
- Dommages ou pertes résultant d'une installation incorrecte ou d'une négligence, y compris l'installation de l'appareil dans un environnement difficile ou dangereux.
- Dommages ou pertes résultant de la dépose, d'une réparation incorrecte, d'une modification du produit ou d'un entretien inadéquat, y compris les dommages causés par le chlore ou par des produits chlorés.
- Dommages ou pertes résultant de surtensions électriques, de pannes électriques, de la foudre ou d'autres accidents qui ne sont pas la faute de Brondell ou qui sollicitent le produit hors de ses tolérances.

6. Cette garantie vous donne des droits juridiques spécifiques. Vous pouvez avoir d'autres droits qui varient d'un État à l'autre.

LA PRÉSENTE GARANTIE ÉCRITE EST LA SEULE GARANTIE FAITE PAR BRONDELL. LA RÉPARATION OU LE REMPLACEMENT PRÉVU PAR LA PRÉSENTE GARANTIE SONT L'UNIQUE RECOURS DE L'ACHETEUR. BRONDELL NE SERA PAS RESPONSABLE DE LA PERTE D'UTILISATION DU PRODUIT, NI D'AUTRES DOMMAGES INDIRECTS, SPÉCIAUX OU CONSÉQUENTS, NI DES DÉPENSES ENCOURUES PAR L'ACHETEUR, NI DES COÛTS DE TRAVAIL OU AUTRES COÛTS DUS À L'INSTALLATION, À LA DÉPOSE OU À LA RÉPARATION PAR DES TIERS, NI D'AUCUNE AUTRE DÉPENSE QUI N'EST PAS EXPLICITEMENT ÉNONCÉE CI-DESSUS. SAUF DANS LA MESURE OÙ LA LOI EN VIGUEUR L'INTERDIT, TOUTE GARANTIE IMPLICITE, Y COMPRIS CELLE DE QUALITÉ MARCHANDE, EST EXPRESSÉMENT LIMITÉE À LA DURÉE DE LA PRÉSENTE GARANTIE. CERTAINS ÉTATS N'AUTORISANT PAS LES LIMITATIONS, LA LIMITATION ET L'EXCLUSION CI-DESSUS PEUVENT NE PAS S'APPLIQUER À VOUS.

### Comment obtenir le service

Pour effectuer une demande de garantie auprès de Brondell, rendez-vous sur [Brondell.com/Support](https://www.brondell.com/Support) et complétez notre formulaire de demande d'assistance en ligne ou appelez notre équipe d'assistance clientèle au 1-888-542-3355 (du lundi au vendredi de 8 h à 14 h HNP). Nos experts dédiés vous aideront à dépanner votre problème et, en fonction des résultats, vous fourniront un numéro d'autorisation de retour (NAR) ainsi qu'une étiquette d'expédition prépayée (le cas échéant) pour vous permettre d'expédier votre produit Brondell à notre centre de service.

Lorsque vous retournez un produit à notre centre de service, assurez-vous d'inclure le NAR et une copie de la facture d'origine afin de prouver que vous êtes bien l'auteur de l'achat et faciliter l'identification et le traitement.

# Brondell®

Feels better already.

Brondell, Inc.  
PO Box 470085  
San Francisco, CA  
94147-0085

[www.brondell.com](http://www.brondell.com)

**Pour toute question ou ressource supplémentaire,  
veuillez communiquer avec :**

**Service à la clientèle Brondell**  
1-888-542-3355

[www.brondell.com/support](http://www.brondell.com/support)

**Fabriqué par**

Brondell, Inc.  
PO Box 470085  
San Francisco, CA  
94147-0085

**Fabriqué en Chine**

**Bien conserver la facture pour  
toute demande liée à la garantie.**





**Brondell®**  
Feels better already.

#25KBT-900\_1210