

ASSEMBLY INSTRUCTION

ITEM NO. N715P255908

Dining Table



ASSEMBLY INSTRUCTION

ITEM NO. N715P255908

Please read these instructions fully before starting assembly:

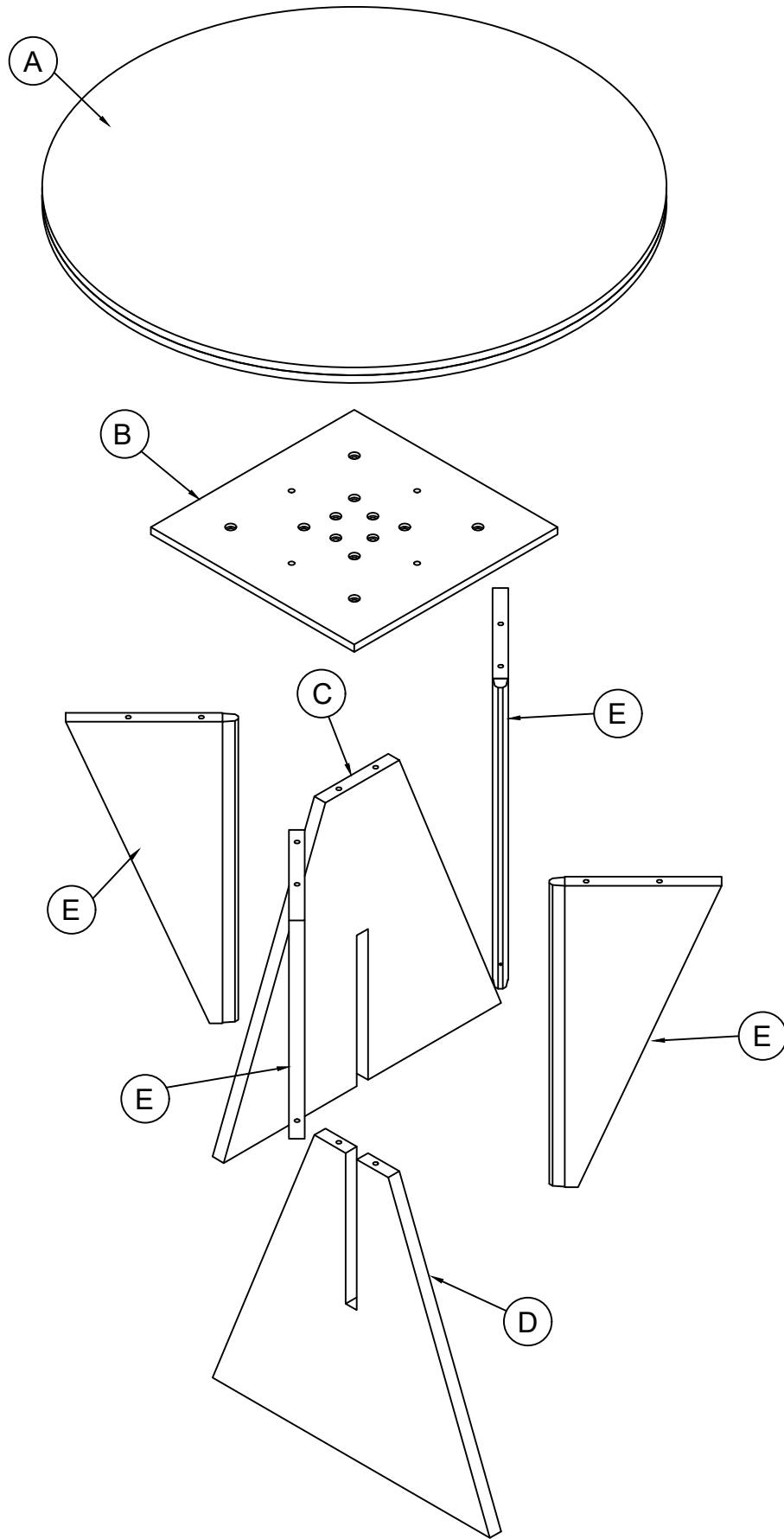
1. Place all wooden parts on a clean and smooth surface such as a rug or carpet to avoid scratching the parts.
2. Kindly follow the assembly instructions step by step.
3. Do not tighten all screws and bolts until the table is fully assembled.
4. Unscrew the protective plastique supports from the metal insert of the table legs before assembly.
5. Parts of the assembly will be easier with 2 people.

Care and maintenance:

Only clean using a damp cloth and mild detergent, do not use bleach or abrasive cleaners

ASSEMBLY INSTRUCTION

ITEM NO. N715P255908



ASSEMBLY INSTRUCTION

ITEM NO. N715P255908

Part List

(A)

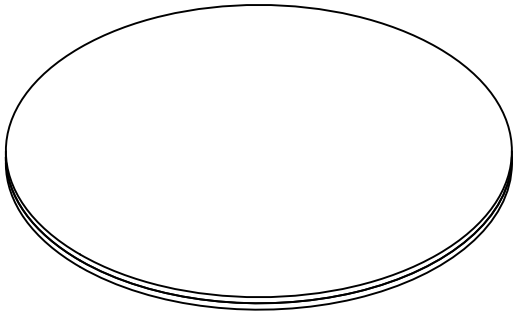
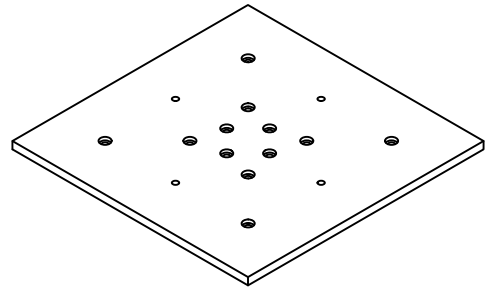


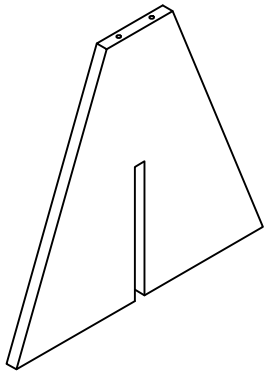
TABLE TOP (1pc)

(B)



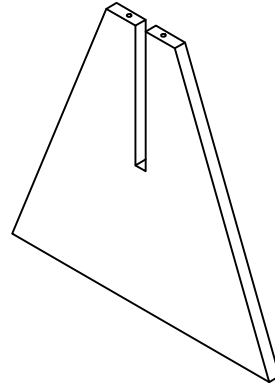
CONNECT PANEL (1pc)

(C)



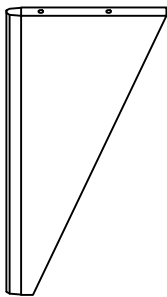
TOP POST (1pc)

(D)



BOTTOM POST (1pc)

(E)



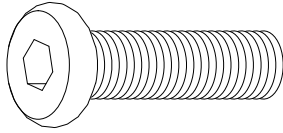
SIDE POST (4pcs)

ASSEMBLY INSTRUCTION

ITEM NO. N715P255908

Hardware List

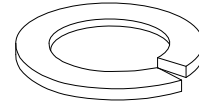
1



Ø5/16"*L38mm

BOLT (12pcs)

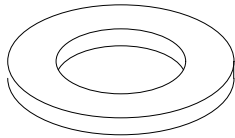
2



Ø5/16"*13mm

SPRING WASHER (16pcs)

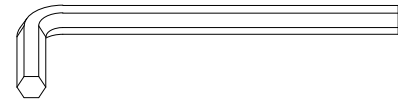
3



Ø5/16"*19mm

FLAT WASHER (16pcs)

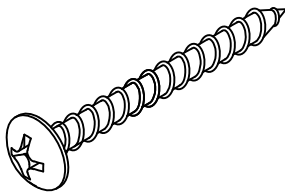
4



4mm

ALLEN WRENCH (1pc)

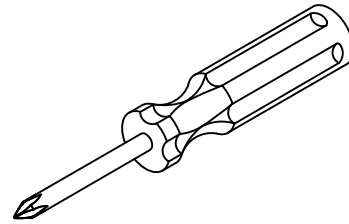
5



#8*L50mm

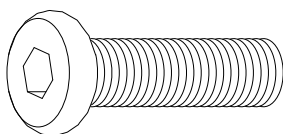
SCREW (4pcs)

6



SCREW DRIVER (not include)

7



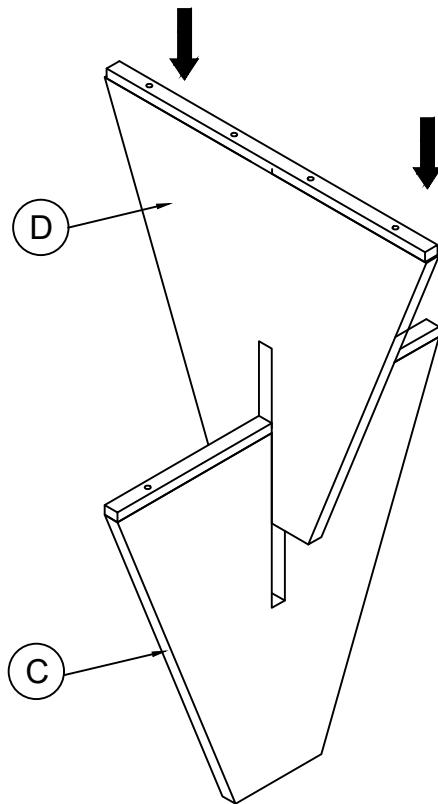
Ø5/16"*L30mm

BOLT (4pcs)

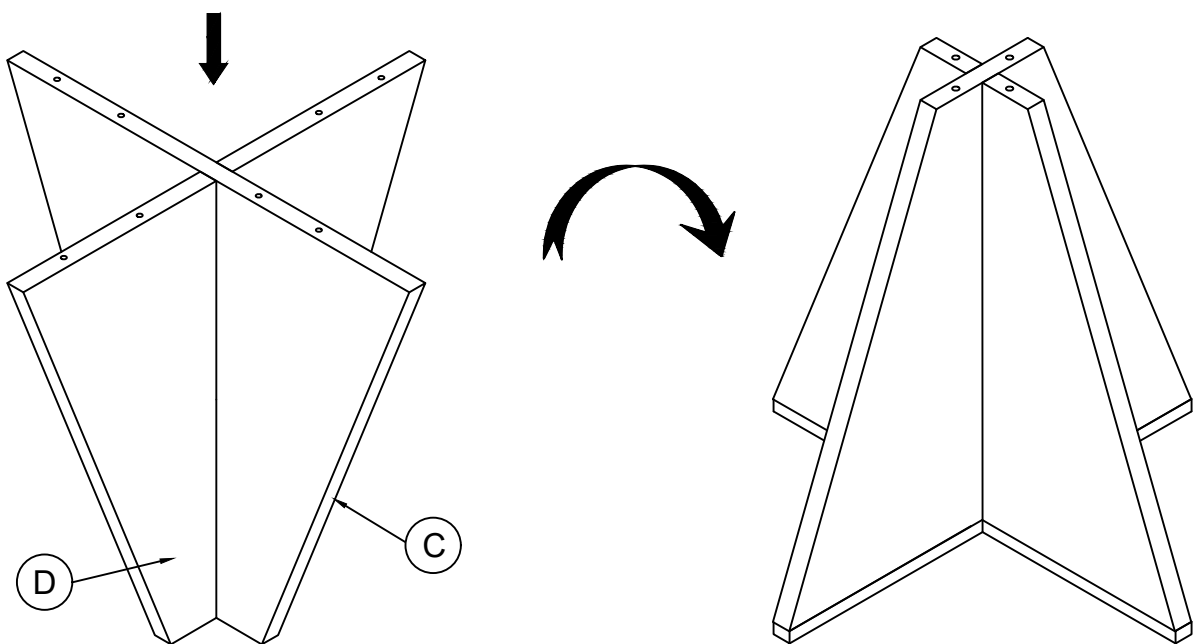
ASSEMBLY INSTRUCTION

ITEM NO. N715P255908

STEP 1 :



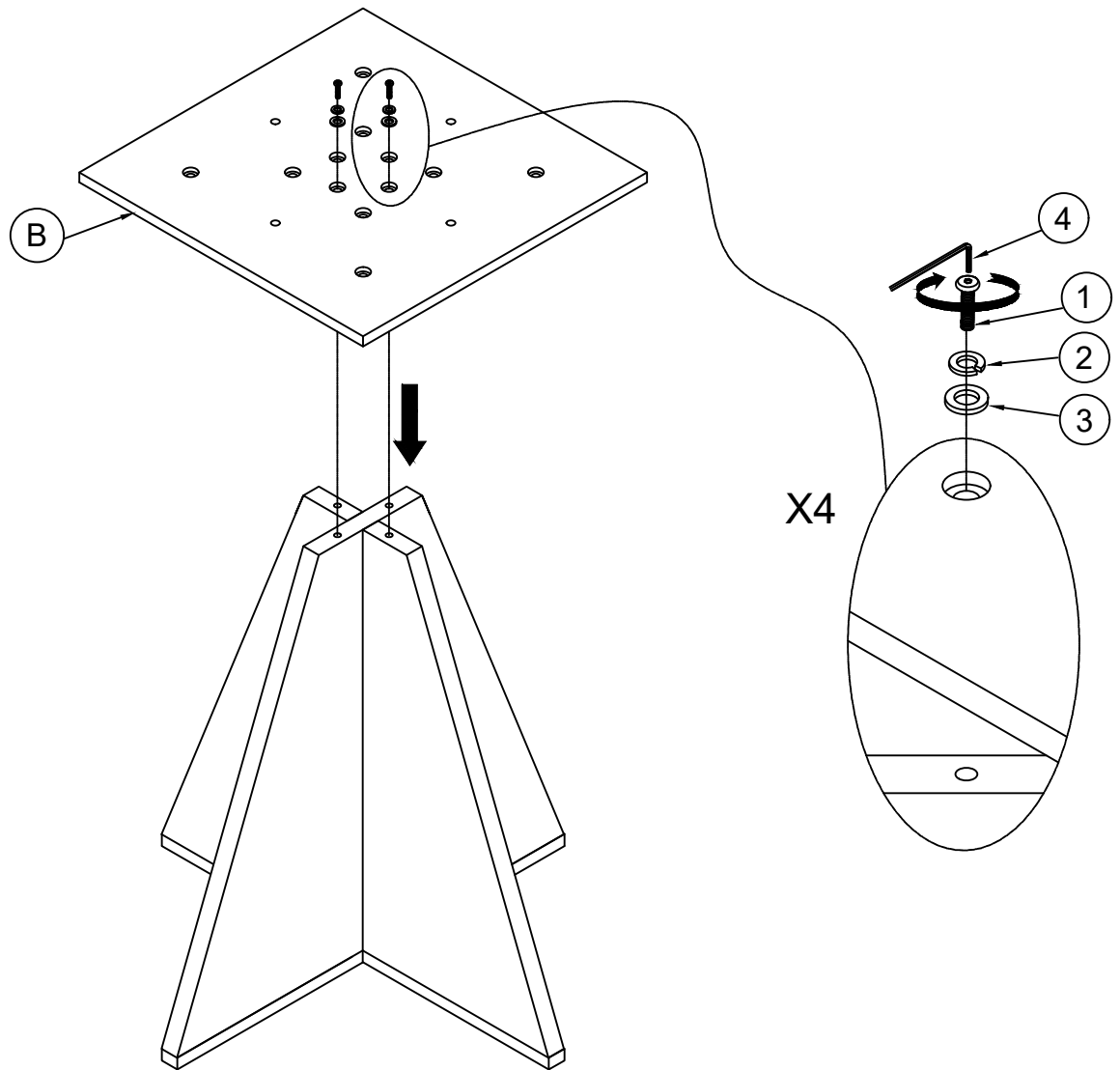
STEP 2 :

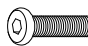





ASSEMBLY INSTRUCTION

ITEM NO. N715P255908

STEP 3 :

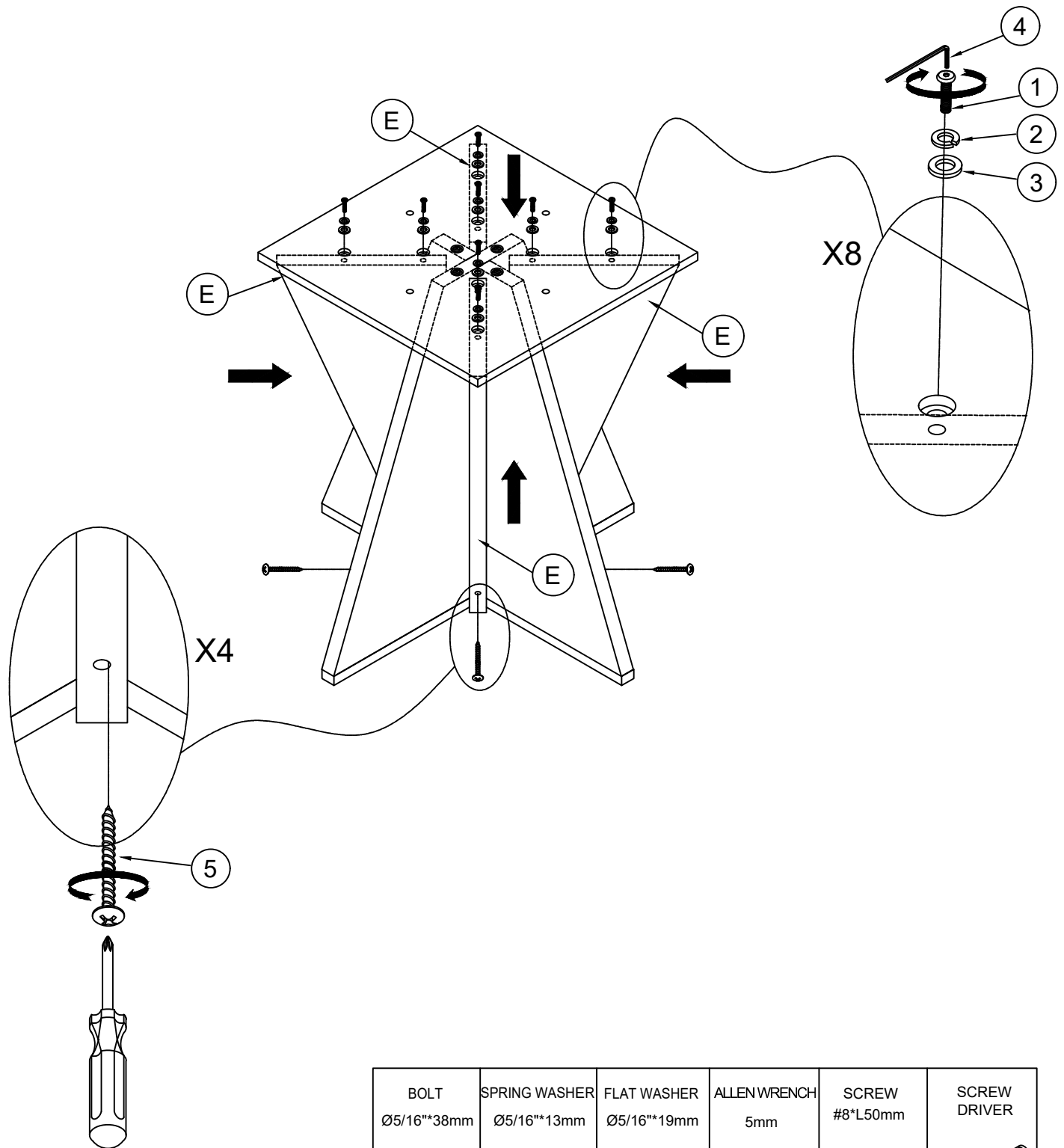


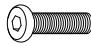




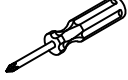
BOLT	SPRING WASHER	FLAT WASHER	ALLEN WRENCH
Ø5/16**38mm	Ø5/16**13mm	Ø5/16**19mm	5mm
			
① x 4	② x 4	③ x 4	④ x 1

ASSEMBLY INSTRUCTION

ITEM NO. N715P255908

STEP 4 :

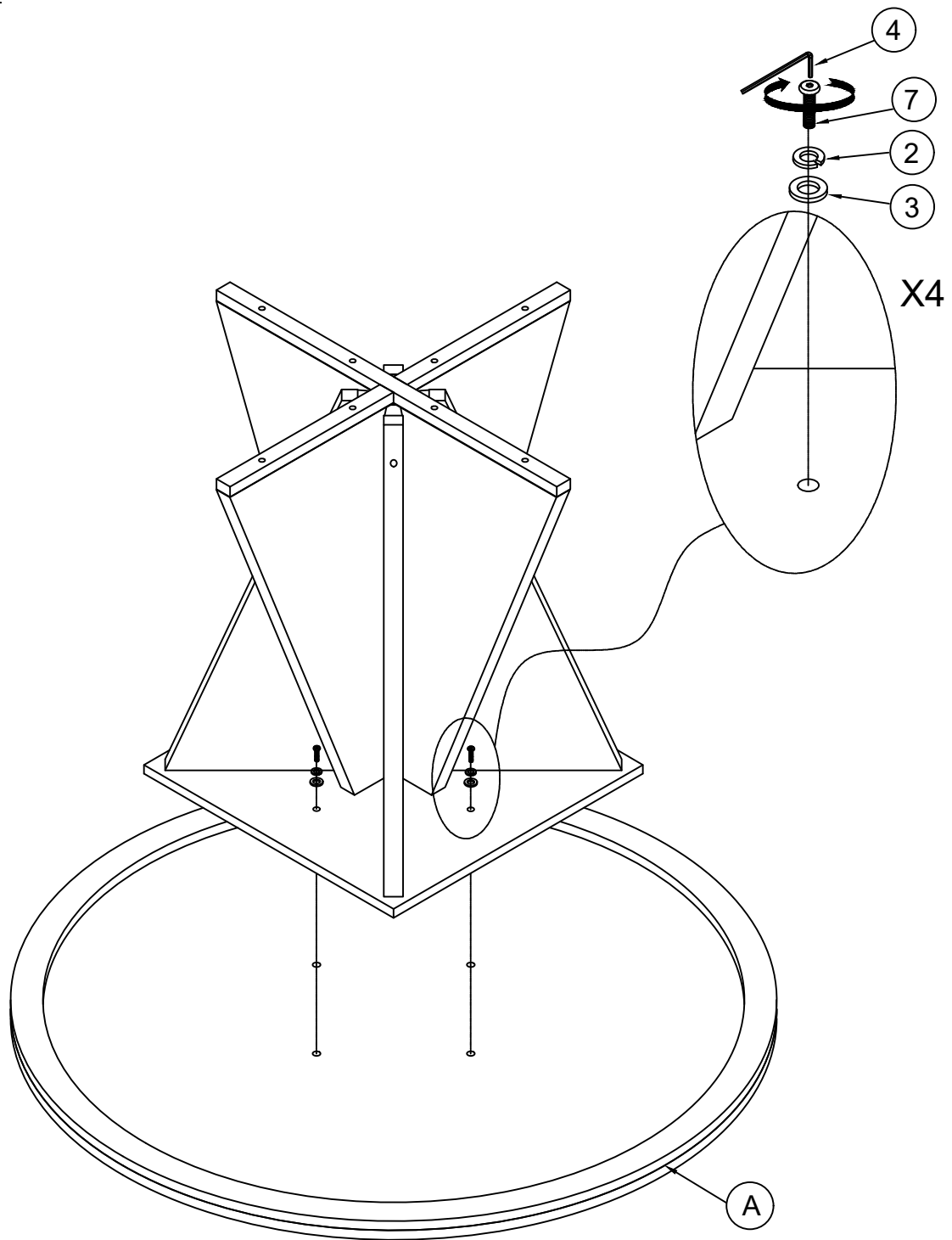


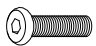



BOLT Ø5/16**38mm	SPRING WASHER Ø5/16**13mm	FLAT WASHER Ø5/16**19mm	ALLEN WRENCH 5mm	SCREW #8*L50mm	SCREW DRIVER
					
① x 8	② x 8	③ x 8	④ x 1	⑤ x 4	not include

ASSEMBLY INSTRUCTION

ITEM NO. N715P255908

STEP 5 :



BOLT	SPRING WASHER	FLAT WASHER	ALLEN WRENCH
Ø5/16**30mm	Ø5/16**13mm	Ø5/16**19mm	5mm
			
⑦ x 4	② x 4	③ x 4	④ x 1

ASSEMBLY INSTRUCTION

ITEM NO. N715P255908

COMPLETE

