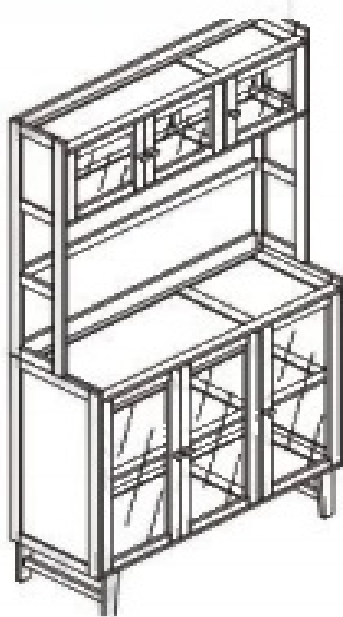







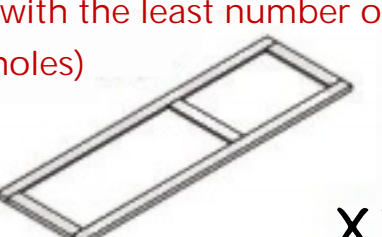








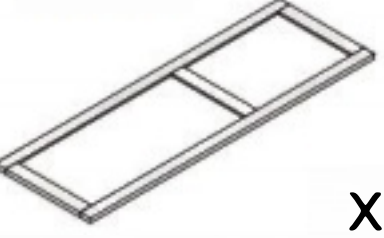
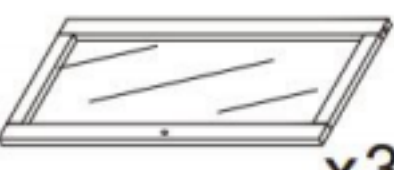




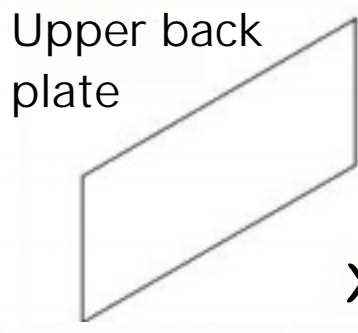


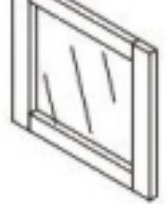
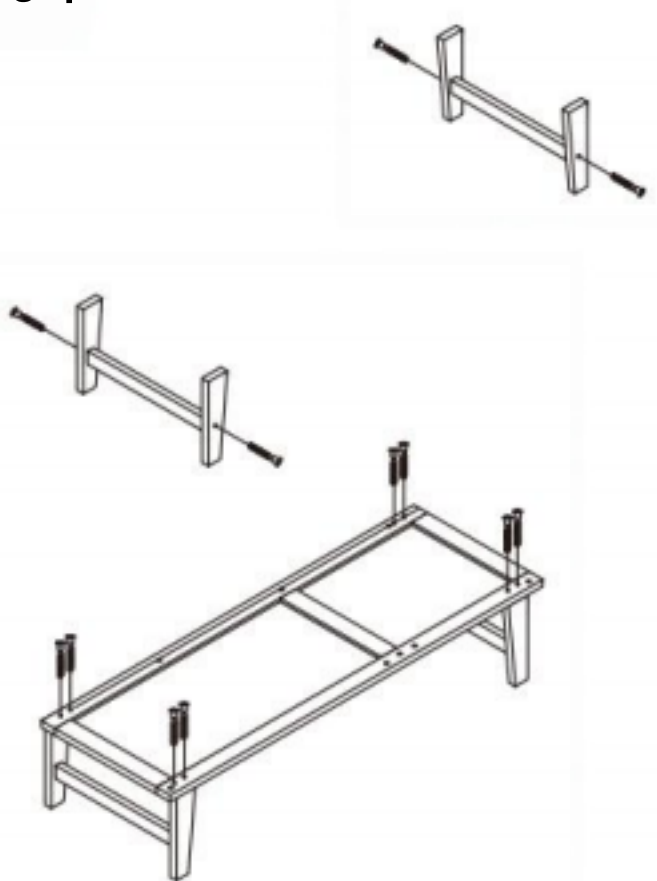
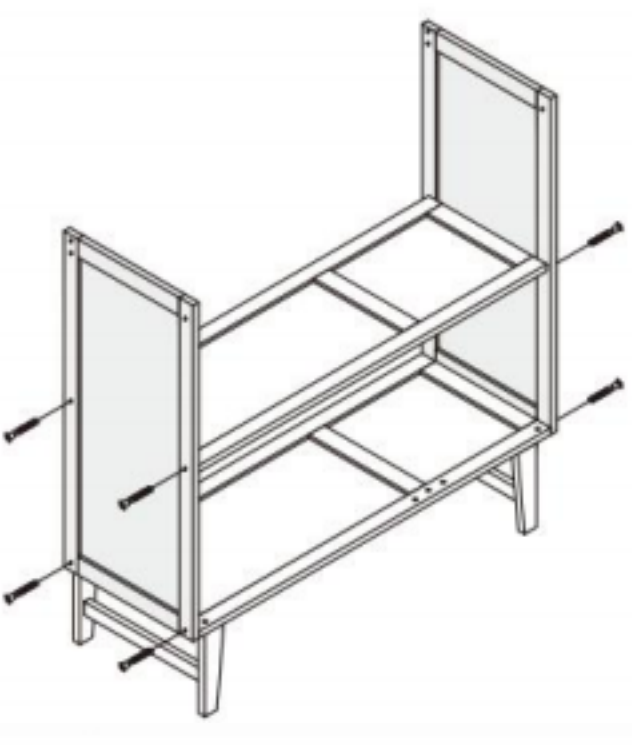
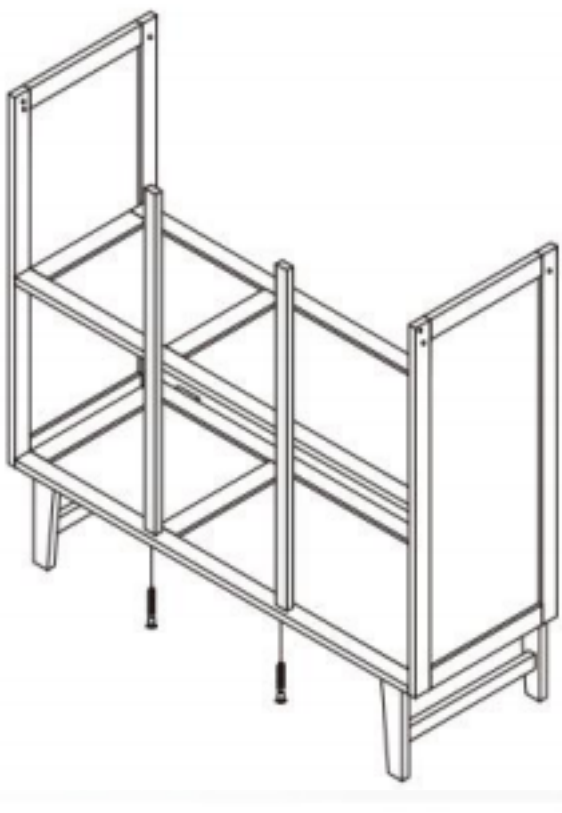


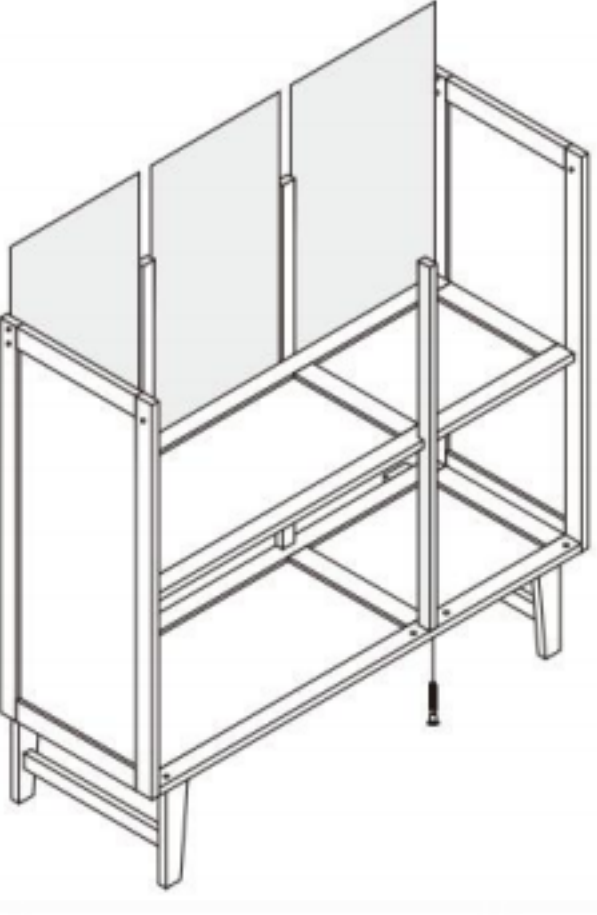
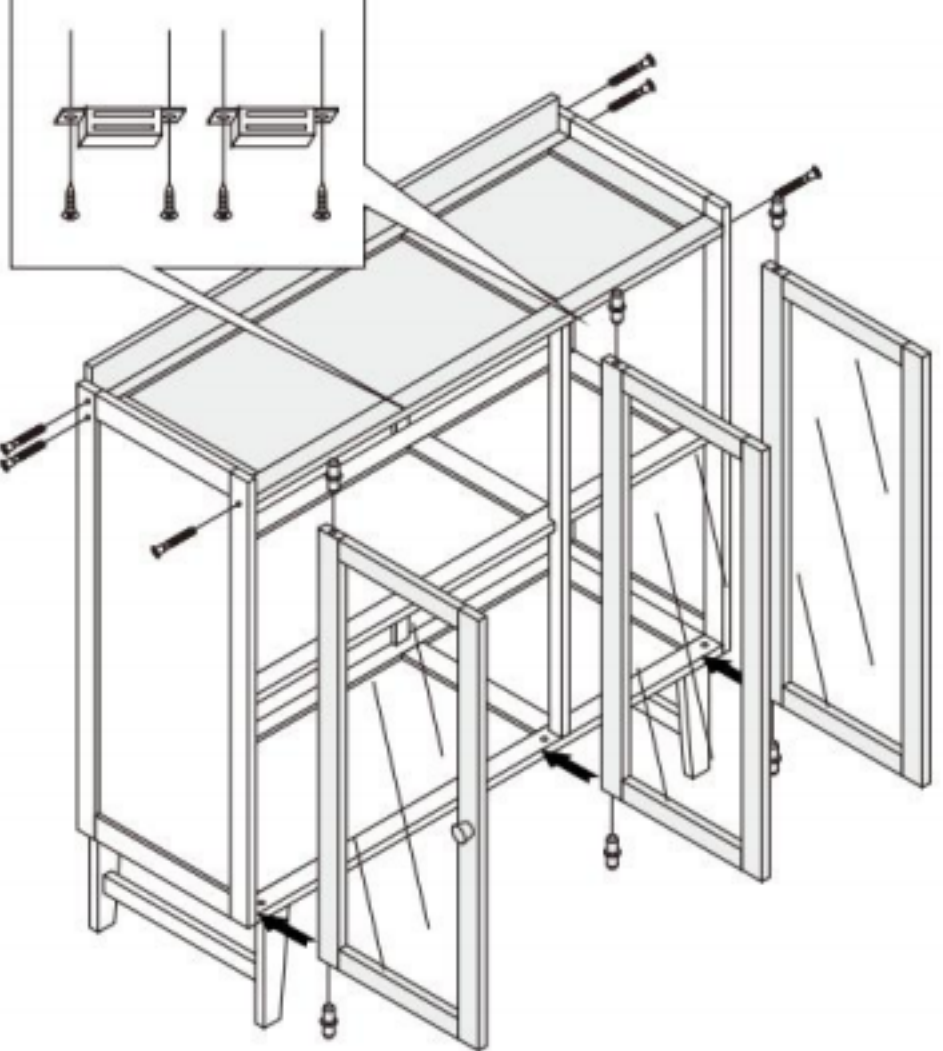
Installation Manual for Three door Dining Cabinet

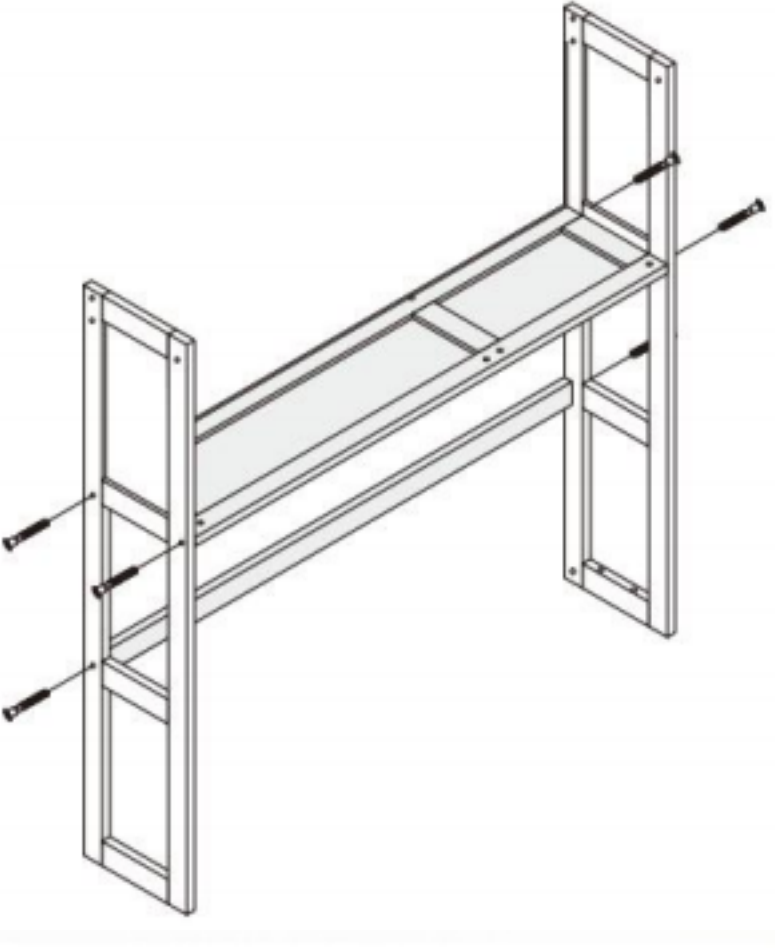
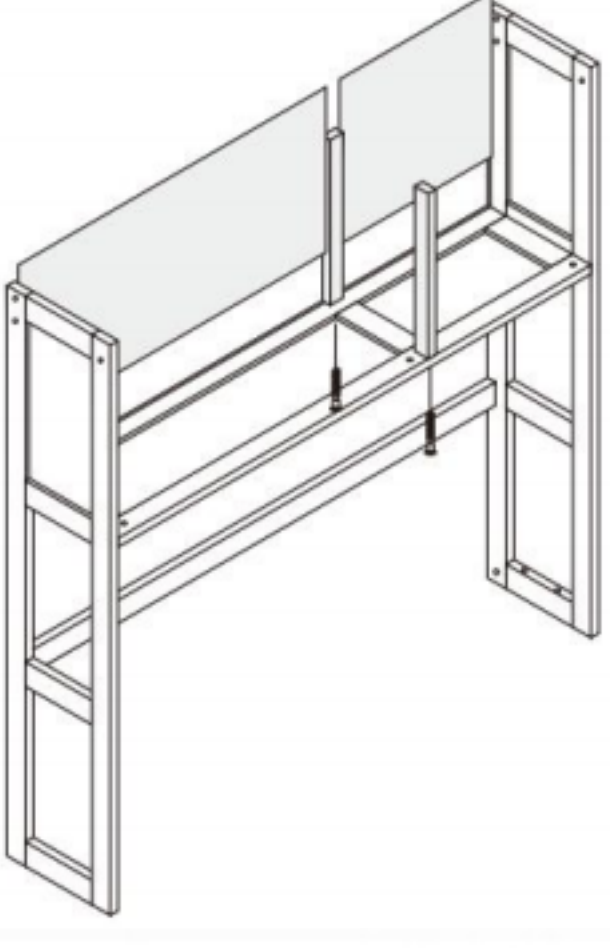


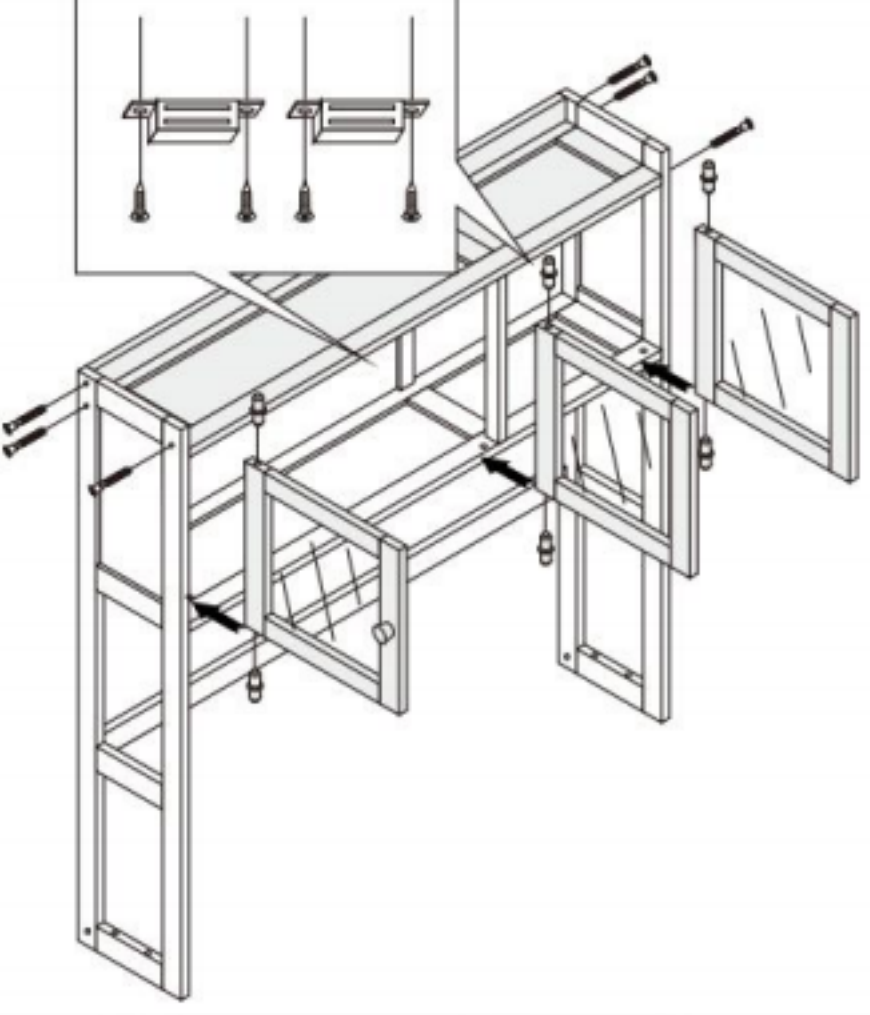
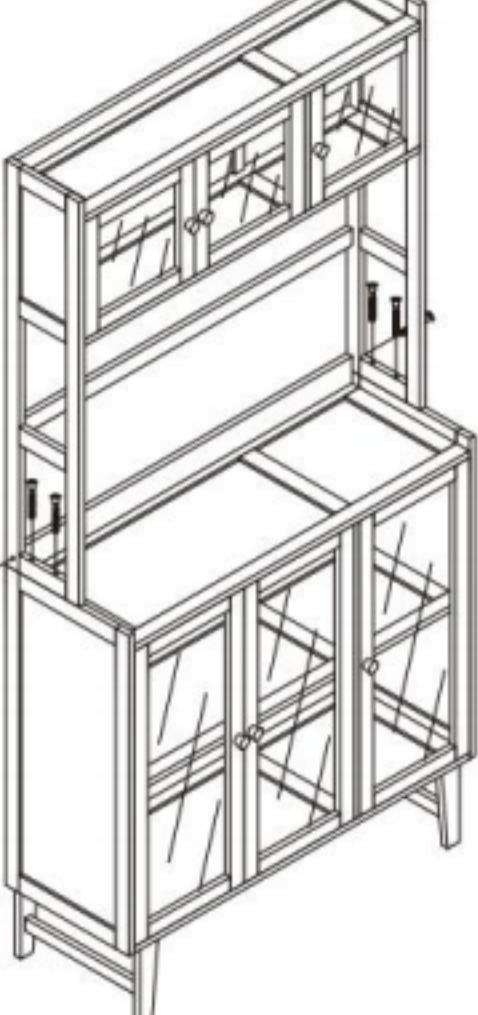
hexagon screw 	plug 	Small screw 
Magnetic attraction 	Round screw + handle 	Hex Wrench 

Chassis (with the most holes)  x1	Intermediate layer board (with the least number of holes)  x1	Left tripod  x1	Right tripod  x1	Support foot  x4
Supporting foot horizontal bar  x2	Double groove back gear  x2	Backboard  x3	Groove stopper  x1	Docking with wide back gear  x1
Middle board  x1	Lower door panel  x3	Upper left side  x1	Upper right side  x1	Upper board  x2
Upper back gear  x2	Upper back plate  x2	Upper gear strip with double slots  x1	Upstream bar  x1	Door board  x3

01 	02 	03 
--	---	---

04 	05 
---	--

06 	07 
---	--

08 	09 
---	--