

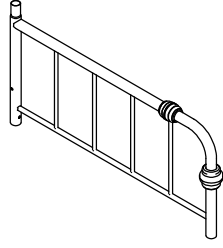
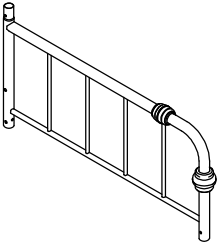
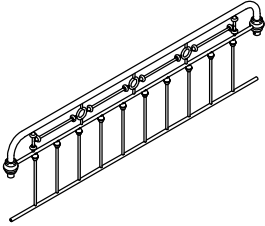
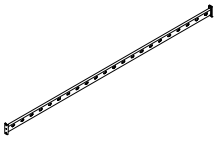
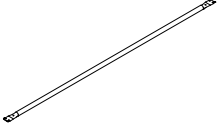
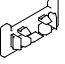






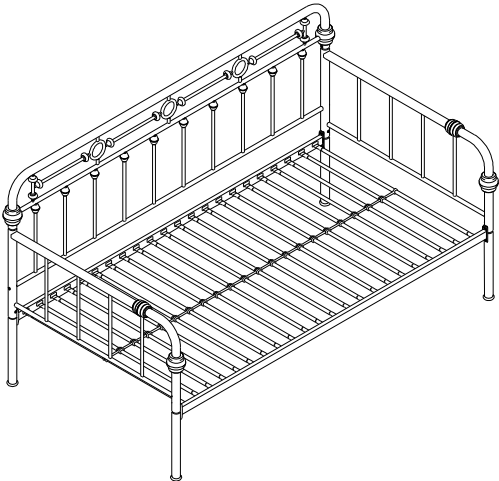


# ASSEMBLY INSTRUCTION

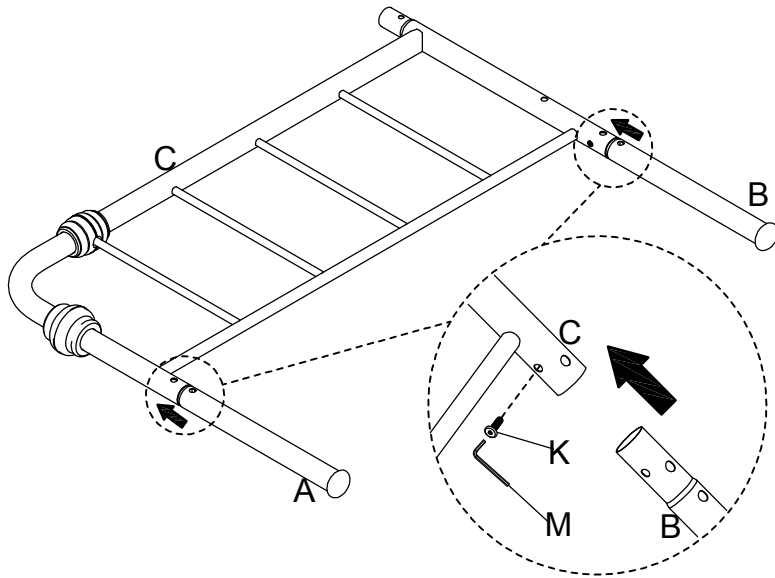
## METAL TWIN DAYBED

<b>A</b> Left Arm Post Leg 	<b>B</b> Right Arm Post Leg 	<b>C</b> LSF Arm 	<b>D</b> RSF Arm 
<b>E</b> Back Frame 	<b>F</b> Rail 	<b>G</b> Slat 	<b>H</b> Slat Connector 
<b>I</b> Slat Spacer 	<b>J</b> Bolt 1/4" x 55mm 	<b>K</b> Bolt 1/4" x 16mm 	<b>L</b> Bolt 5/16" x 19mm 
<b>M</b> L-Allen Key 4mm 	<b>N</b> L-Bracket 		
<b>O</b> Bed Frame 			

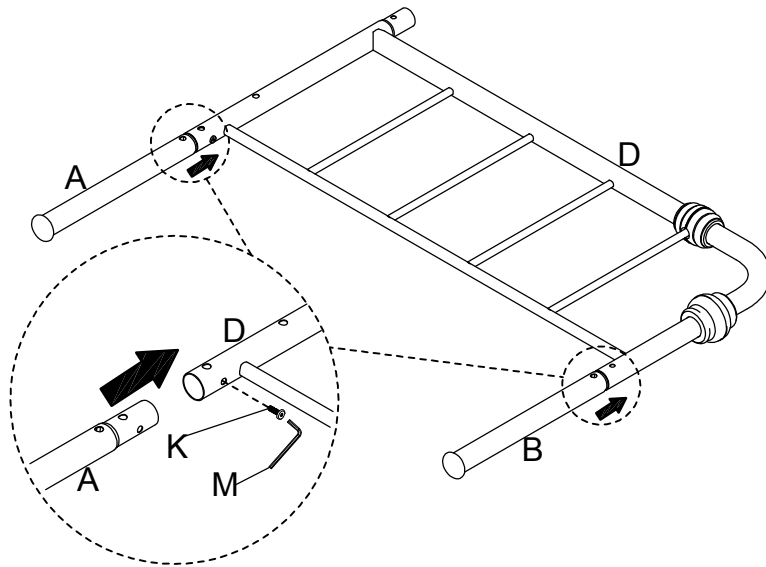
This page lists all the contents included in the box. Please take the time to identify the hardware as well as the individual components to this product. As you unpack and prepare for assembly, place the contents on a carpeted or padded area to protect them from damage.

**1**

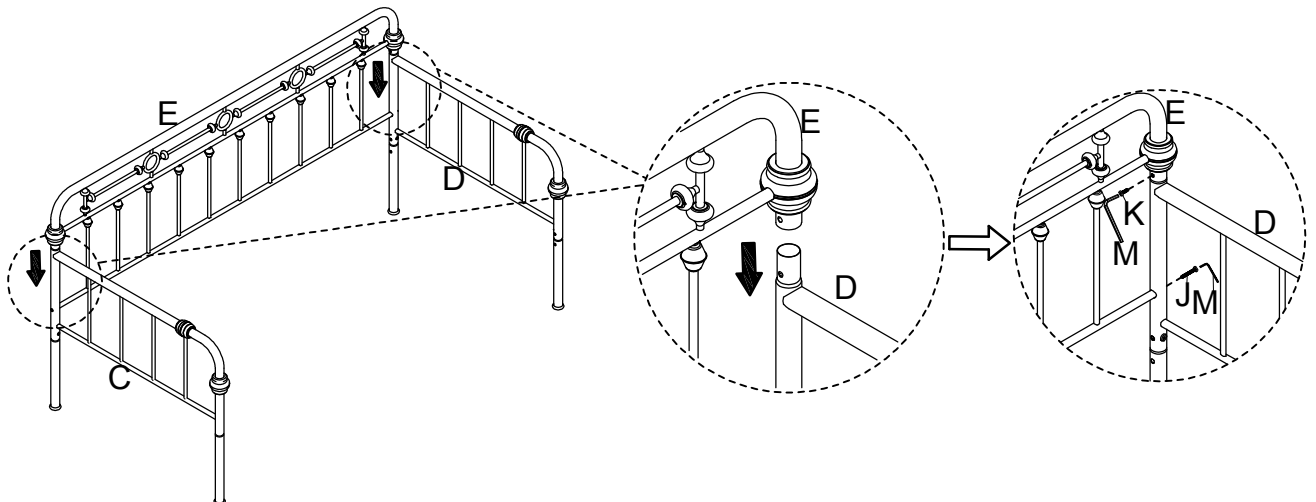
Attach Left & Right Arm Post Leg (A & B) to LSF Arm (C) using Bolt (K) with L-Allen Key (M).

**2**

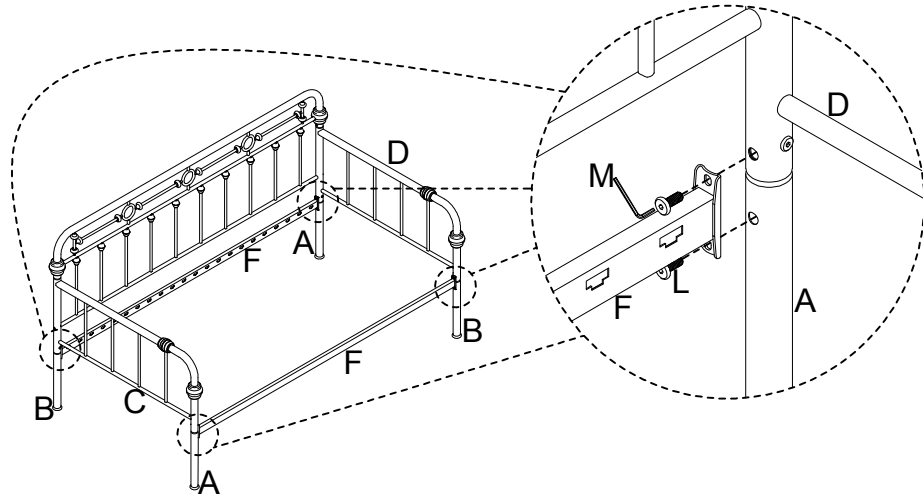
Attach Left & Right Arm Post Leg (A & B) to RSF Arm (D) using Bolt (K) with L-Allen Key (M).

**3**

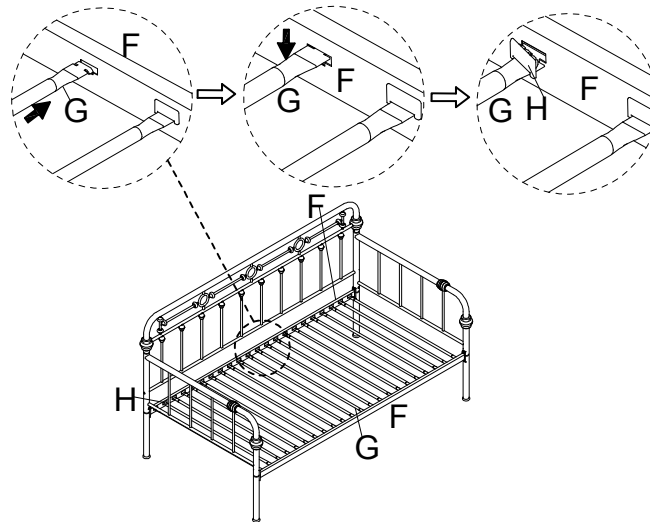
Attach Back Frame (E) to LSF & RSF Arm (C & D) using Bolt (K & J) with L-Allen Key (M).



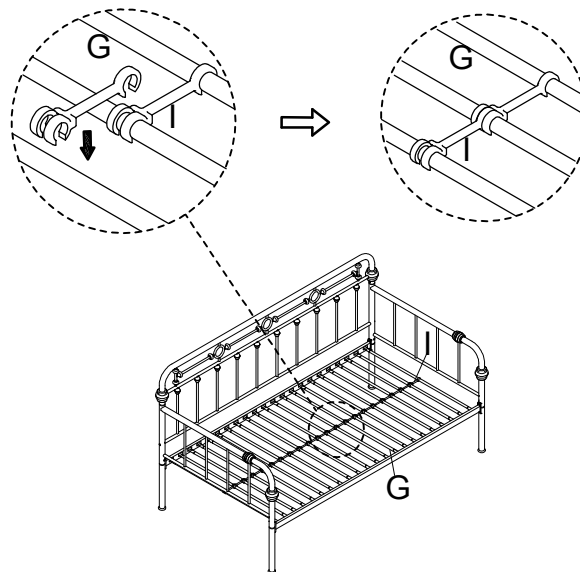
**4** Attach Rail (F) to LSF & RSF Arm (C & D) and Left & Right Arm Post Leg (A & B) using Bolt (L) with L-Allen Key (M).



**5** Insert Slat (G) into Rail (F) as shown. Then lock Slat Connector (H) to fix Slat (G).



**6** Connect Slat (G) using Slat Spacer (I) as shown.



## Cleaning & Care

Treat surfaces with care. Surfaces are resistant to scratches but are not scratch resistant. Clean surfaces with a dry or damp soft cloth. Do not use abrasive cleaners. Hardware may loosen over time. Periodically check that all connections are tight.