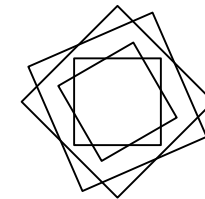
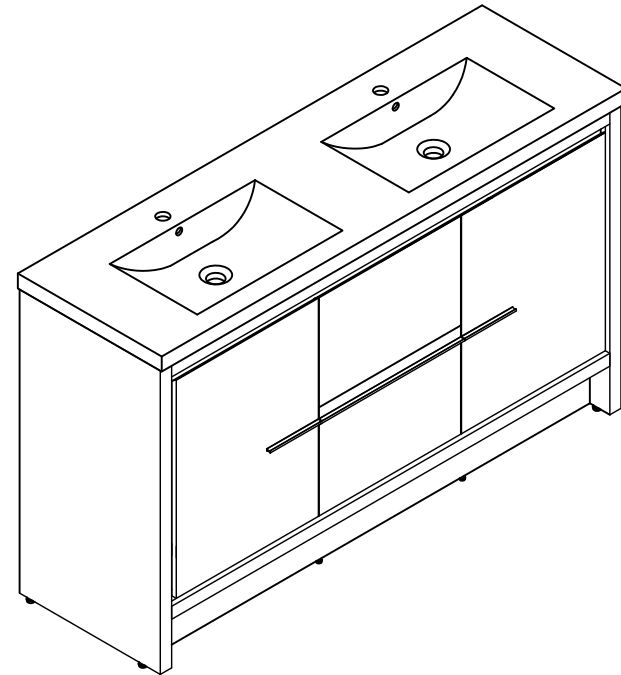


THANKS FOR WATCHING

Your feedback is invaluable to us and we would love to hear about your experience. Please take the time to leave us a review.



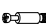














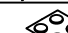



Thank you for shopping with us!

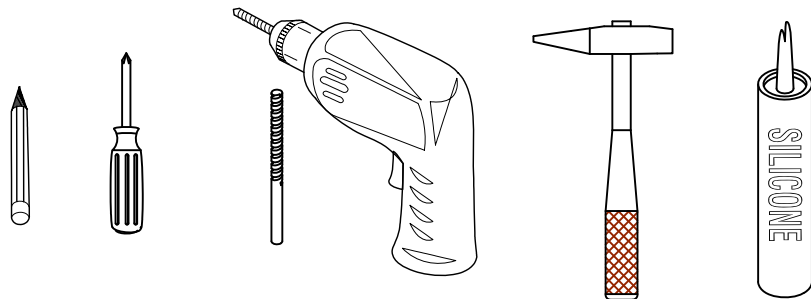
We encourage you to take a few minutes to go through this booklet. It contains important information on installation and care tips to keep your furniture looking as good as new.

Item NO.:BV B12760D

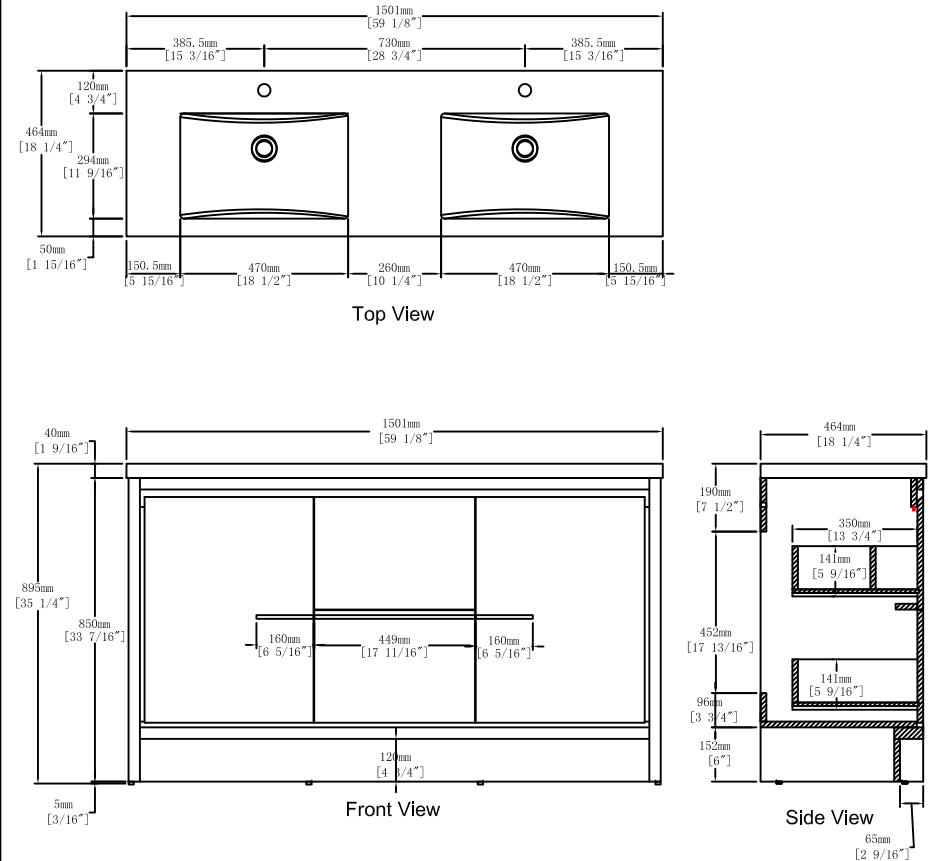
Hardware

NO.	Draw	QTY	NO.	Draw	QTY
A	 Screws Ø4x14mm	68	J	 Track	2
B	 Two-in-one connector	70	K	 Handle(L449mm)	1
C	 Two-in-one connector	70	L	 Handle(L160mm)	2
D	 Wood plug	12	M	 Screws Ø4x40mm	5
E	 Plastic anchor(Ø10mm)	2	N	 Screws Ø4x25mm	2
F	 Screws for fix on the wall	2	O	 Screws M4x20mm	6
G	 Bracket (53x70x44mm)	2	P	 Screws Ø4x20mm	4
H	 Bracket (19x19x35mm)	2	Q	 Adjustable feet	6
I	 Hinges(Half cover)	4	R	 Anti-collision gasket	12
			S	 Screwdriver	1

Recommended tools



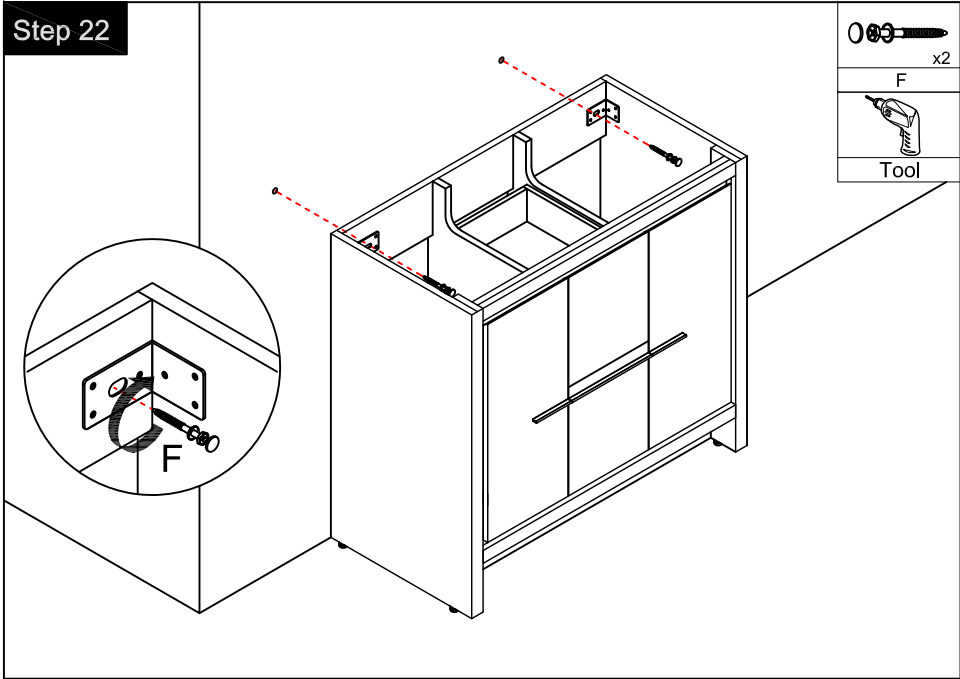
Dimensions



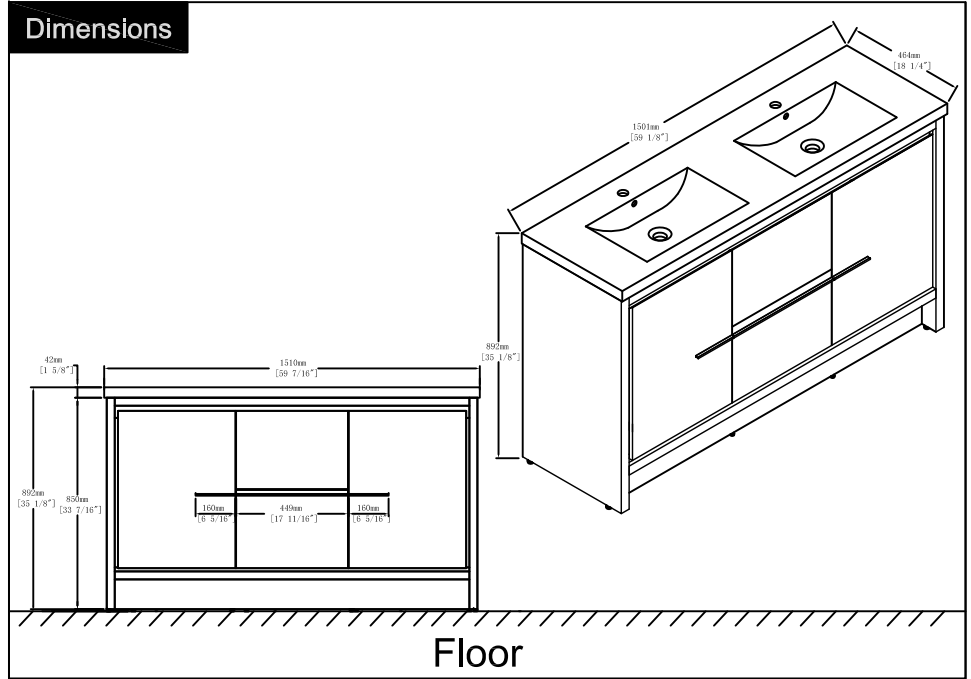
CARE CLEANING AND MAINTENANCE

1. Dust regularly with a soft , dry cloth.
2. Avoid the use of all chemicals household cleaners, abrasives, or cleaners that contain lemon, vinegar, or other acids that may damage the finish.
3. Excessive exposure to sunlight and extreme changes in temperature and moisture can damage wood furniture.
4. The sink is fragile, please pay attention to maintaining its appearance.
5. Do not place hot appliances, such as curling irons and hot hair dryers directly on the countertop. Wipe spills immediately.

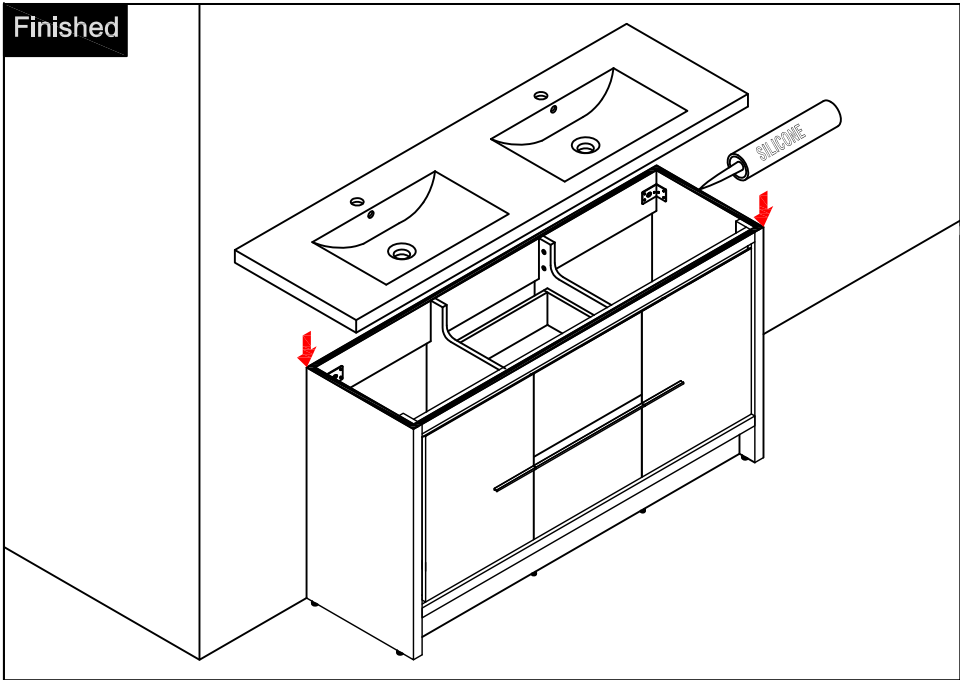
Step 22



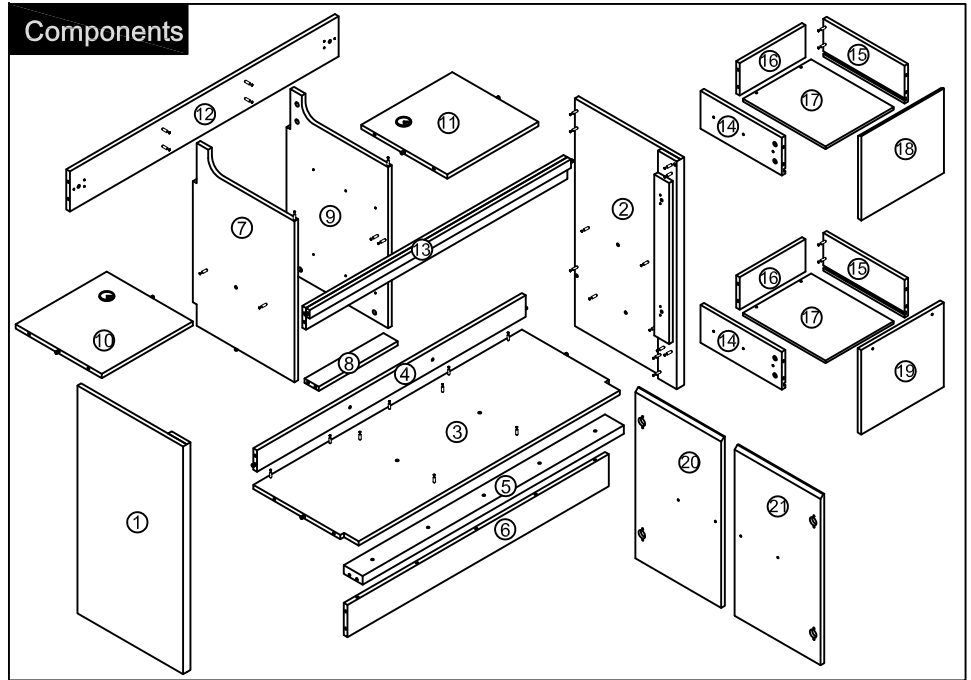
Dimensions



Finished



Components



Step 1

Notes: Screw installation depth as shown

Attention: Cam lock arrow point to the steel rod.

	x5
B	
	x5
C	
S	

Step 2

first step second step third step

	x5
B	
	x5
C	
S	

Step 19

Notes: Screw installation depth as shown

Attention: Cam lock arrow point to the steel rod.

(L160mm)	
	x2
L	
(M4 x 20mm)	
	x4
O	
	x4
R	
Tool	

Step 20

$\varnothing 10$

Step 21

	x2
E	
Tool	

Step 17

Notes: Pull out the tracks on the cabinet body and push them into the upper and lower tracks as shown in the diagram. The drawer tracks are interlocked with the cabinet body tracks.

Step 18

	x4
I	(Ø4 x 14mm)
	x24
A	
	Tool

You can adjust the doors by tightening or loosening the screws on the hinge. →

Step 3

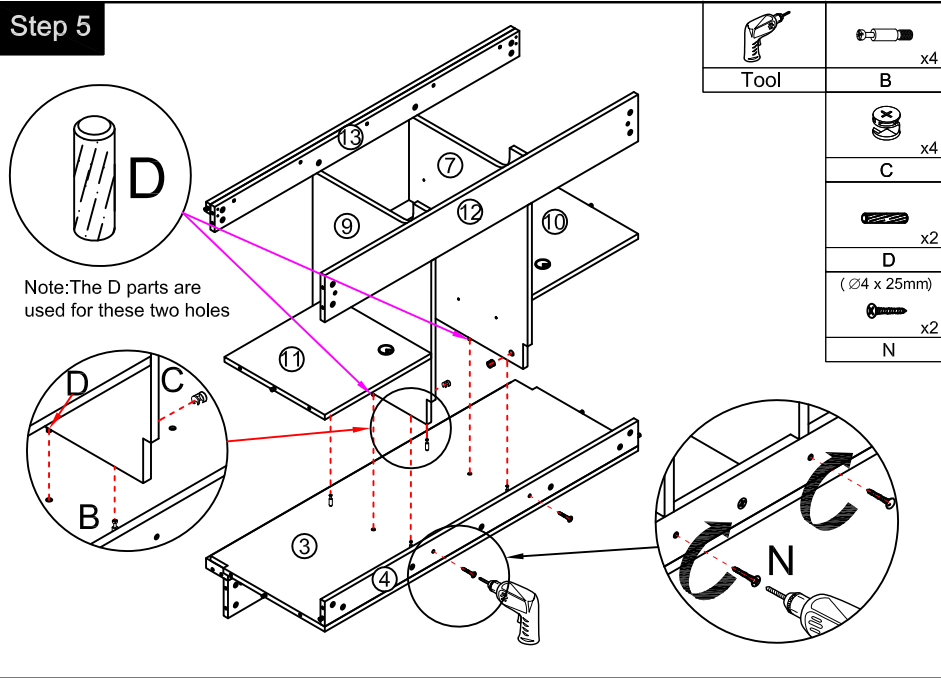
	x8
B	
	x8
C	
	x2
D	
	S

Note: The D parts are used for these two holes

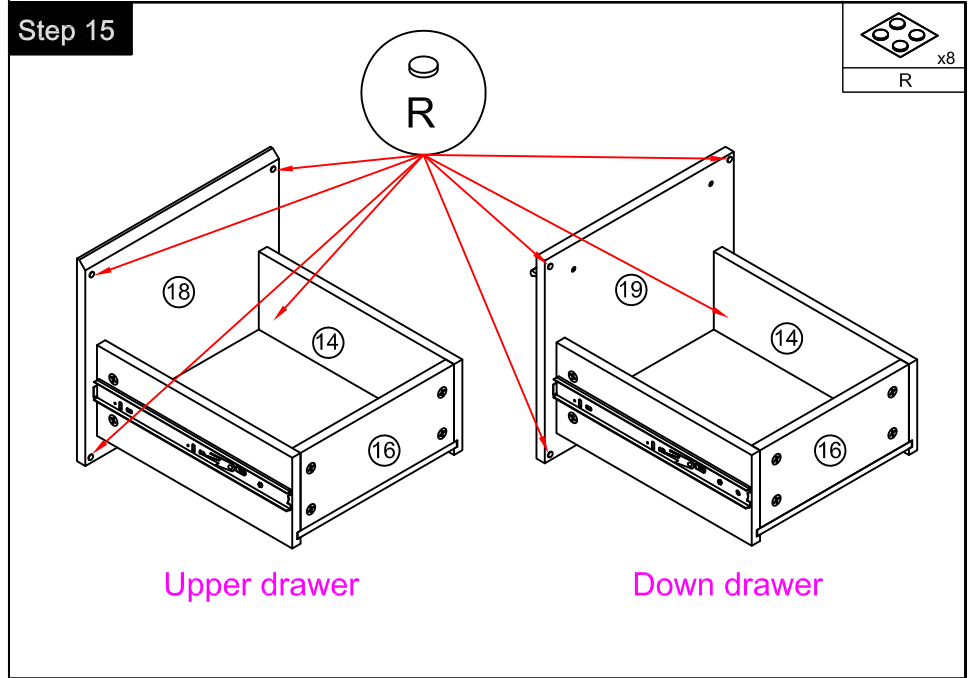
Step 4

	x6
B	
	x6
C	
	S

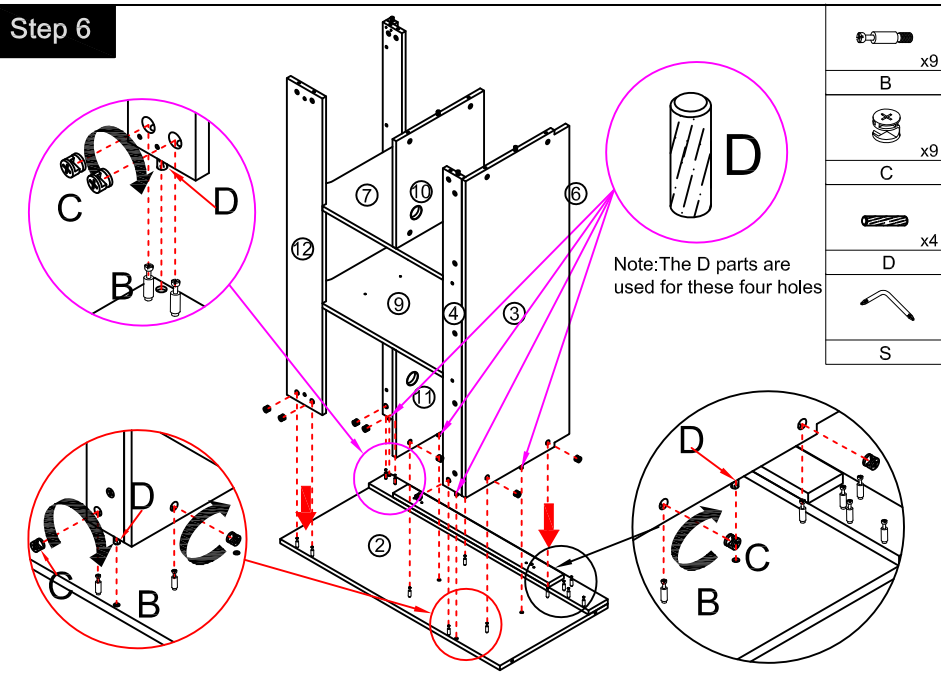
Step 5



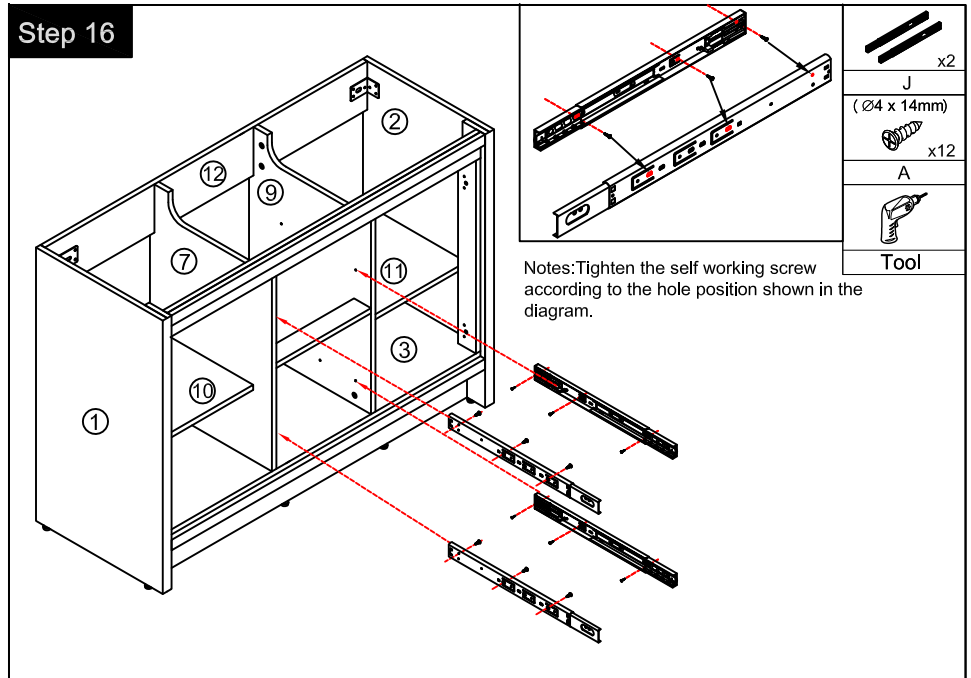
Step 15



Step 6

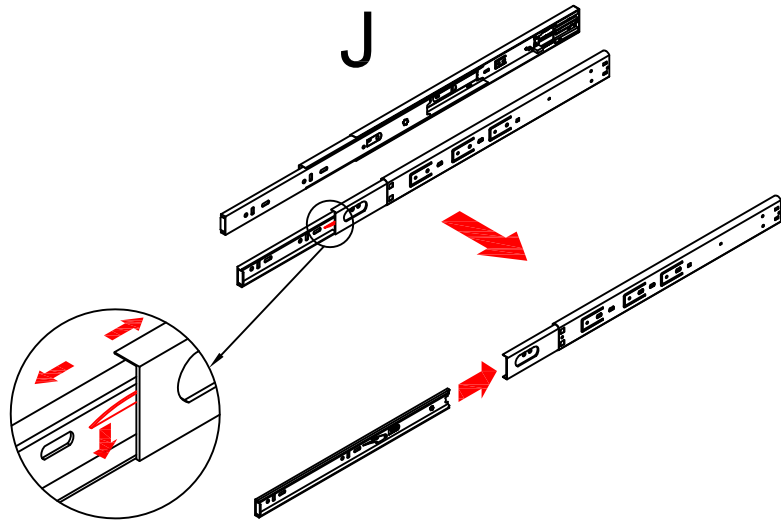


Step 16



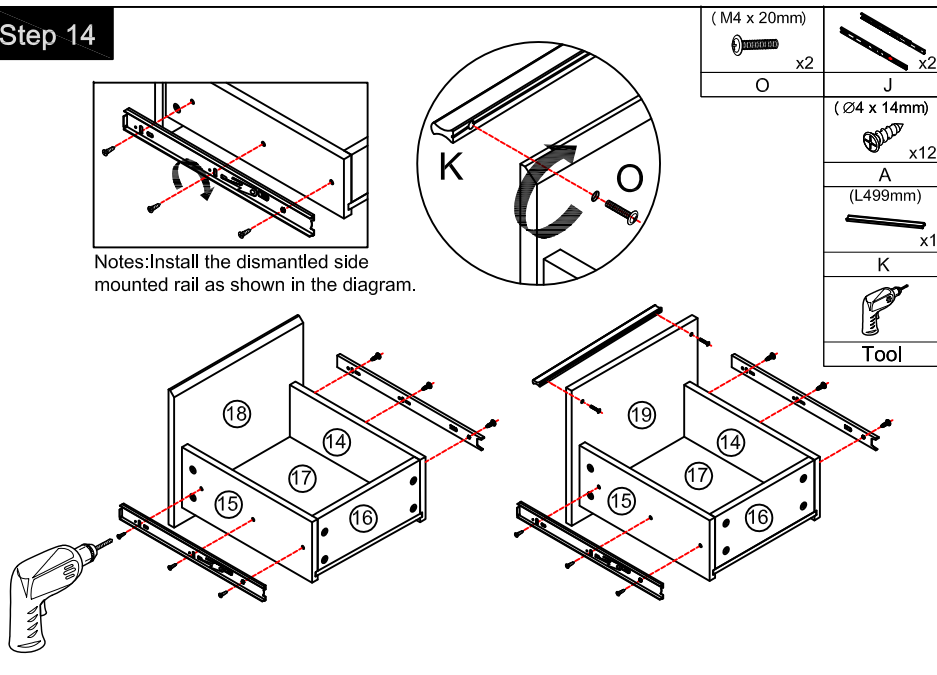
Step 13

Notes: Disassemble the three fold side mounted buffer rail as shown in the following diagram.

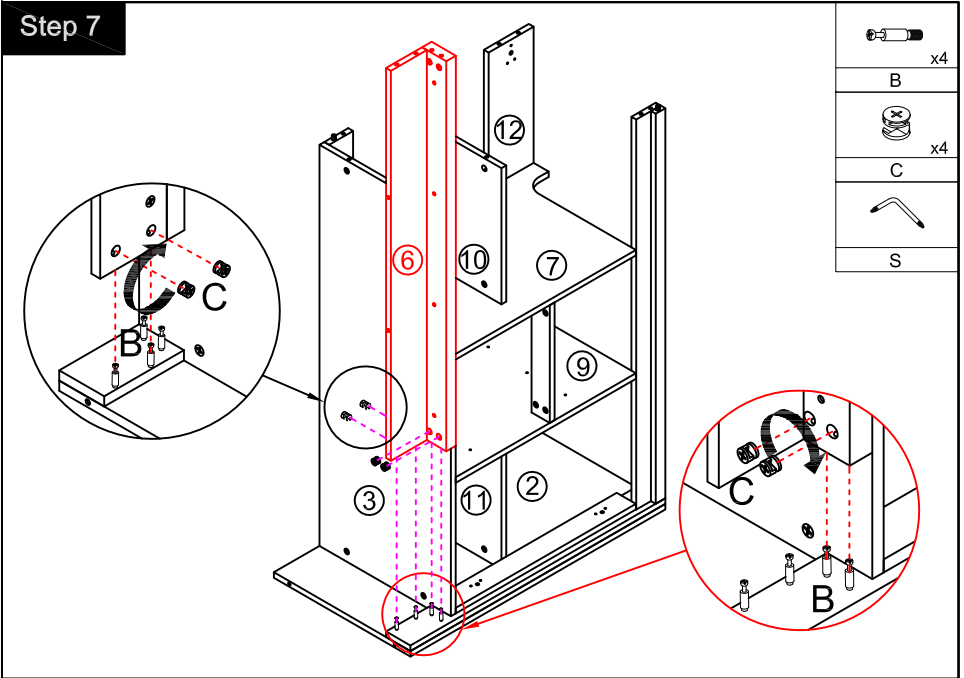


Step 14

Notes: Install the dismantled side mounted rail as shown in the diagram.



Step 7



Step 8

