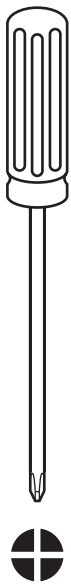




Estimated Time for Assembly

45-50 mins

Tools Needed (Not included)

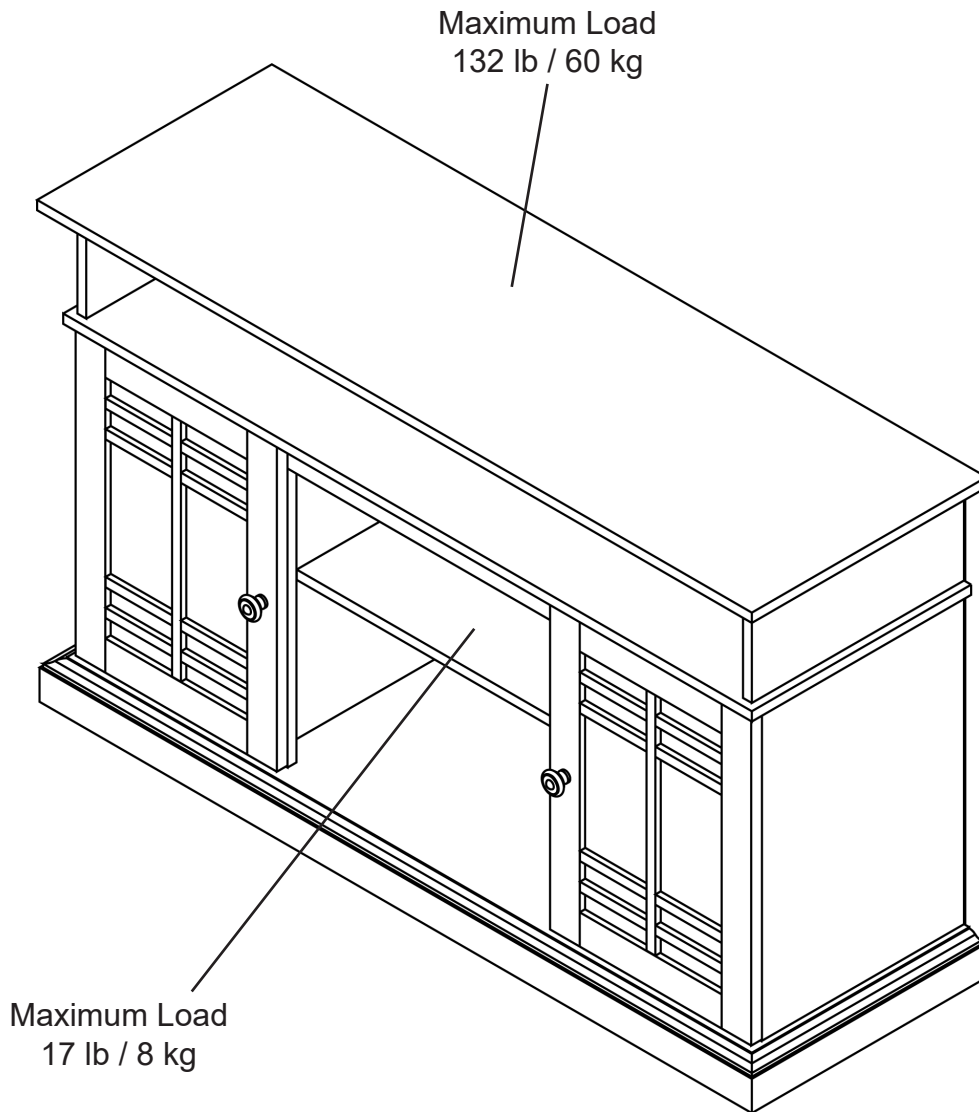




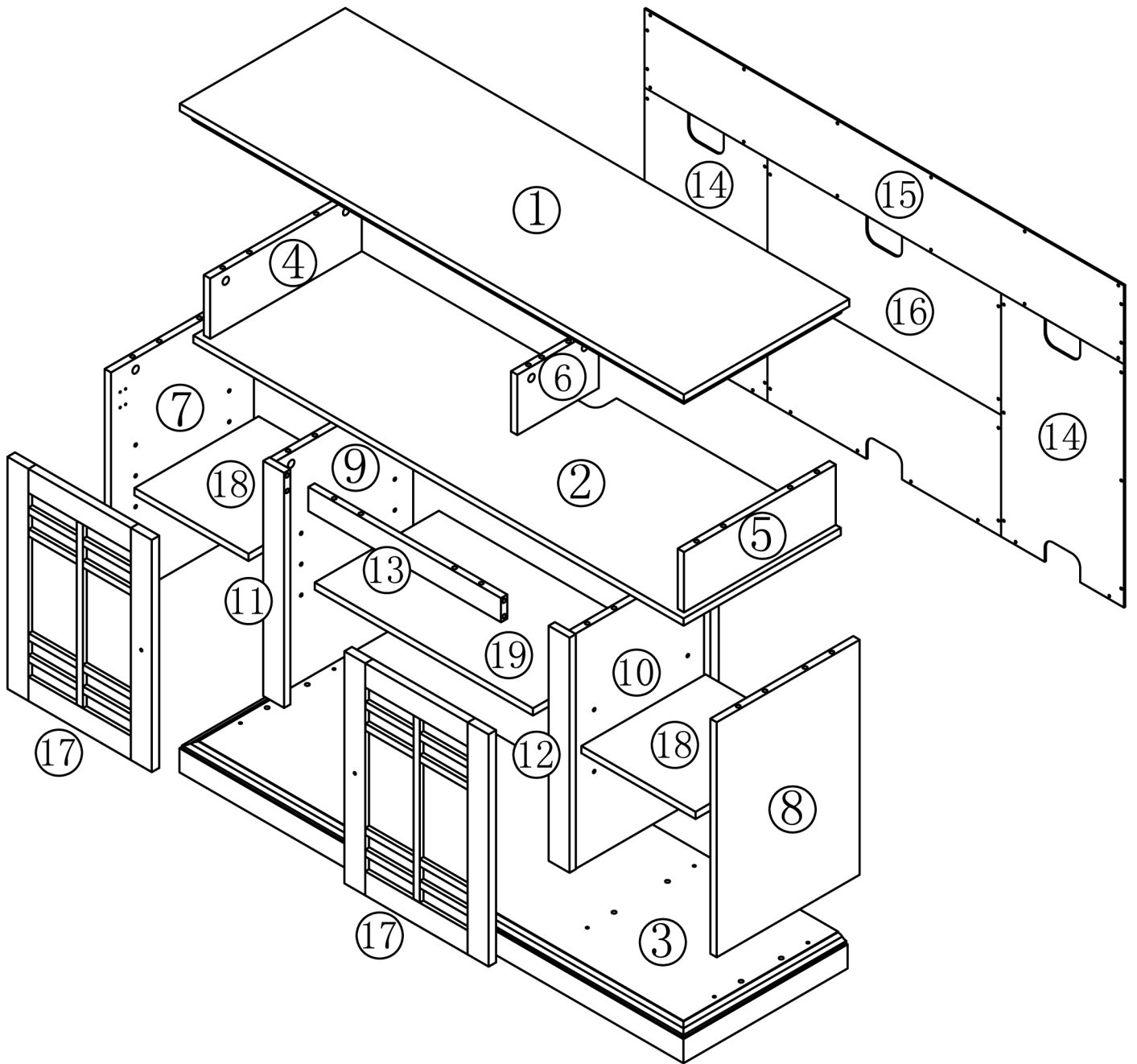
Weight Limitation

17 Shelf

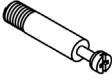


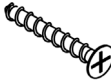



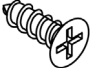
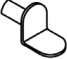

132 Top



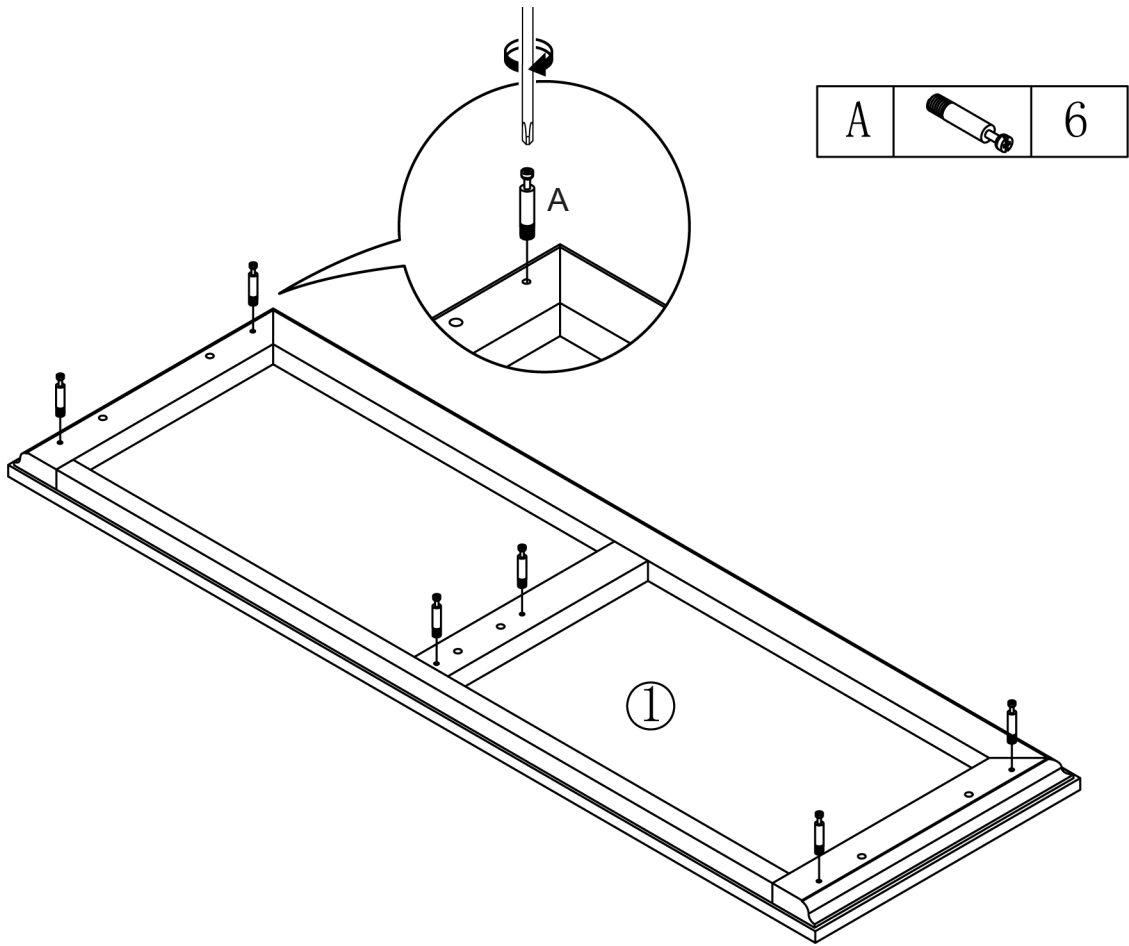
PACKAGE CONTENT



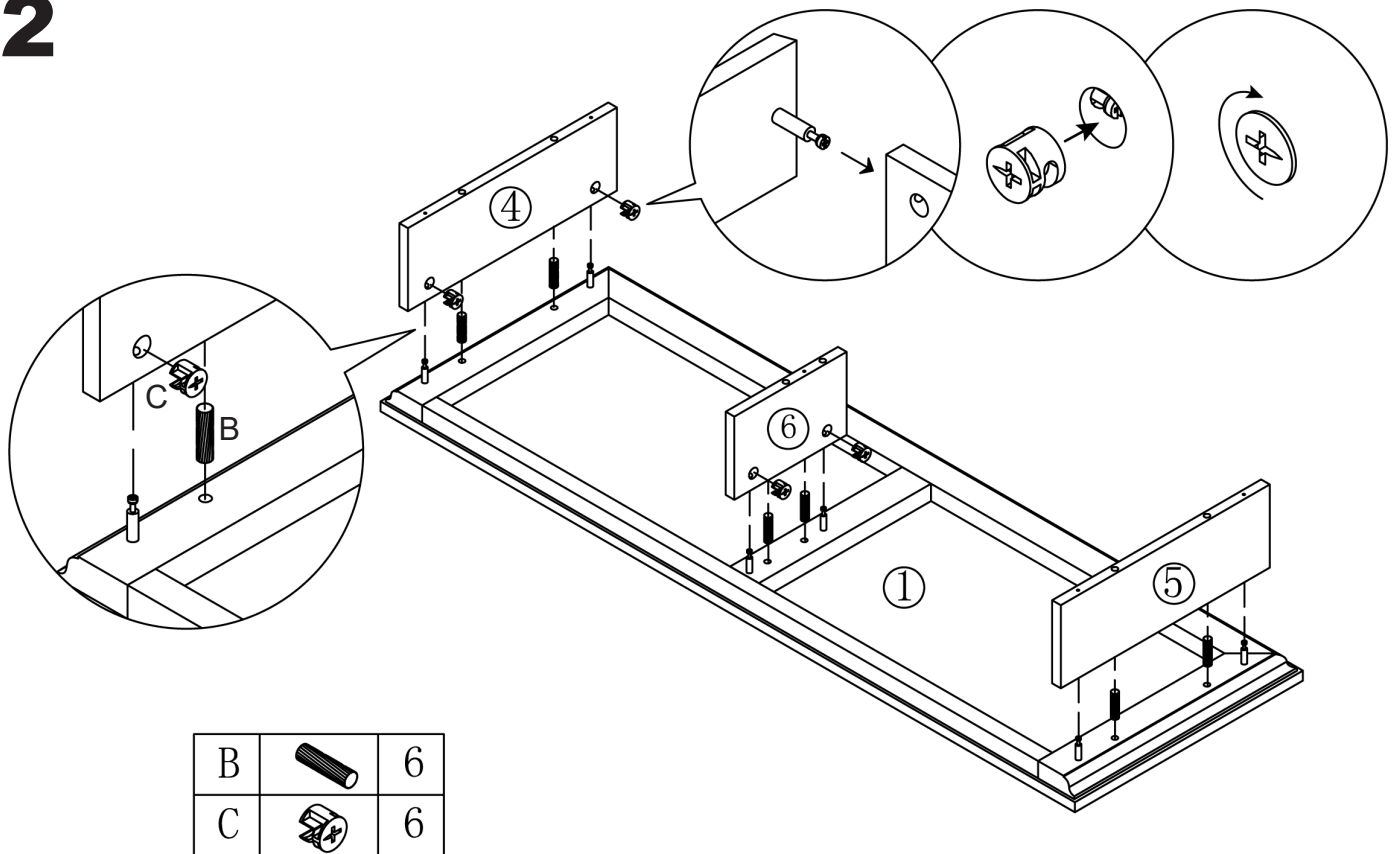
CODE	DESCRIPTION	QTY
1	Top Panel	1
2	Middle Panel	1
3	Case Panel	1
4	Upper Left Side Panel	1
5	Upper Right Side Panel	1
6	Center Support	1
7	Lower Left Side Panel	1
8	Lower Right Side Panel	1
9	Lower Left Middle Vertical Panel	1
10	Lower Right Middle Vertical Panel	1
11	Left Insert Baffle	1
12	Right Insert Baffle	1
13	Middle Insert Baffle	1
14	Lower Back Side Panel	2
15	Upper Back Panel	1
16	Lower Middle Back Panel	1
17	Door	2
18	Side Shelf	2
19	Middle Shelf	1

CODE	PICTURE	DESCRIPTION	QTY
A		Cam Bolt	20
B		Wood Dowel	38
C		Cam Lock	20
D		Flat Head Screw	13
E		Metal Plate	2
F		Round Head Screw	48
G		Door Hinge	4
H		Door Hinge Screw	24
J		Shelf Holder	12
K		Door knob	2



1

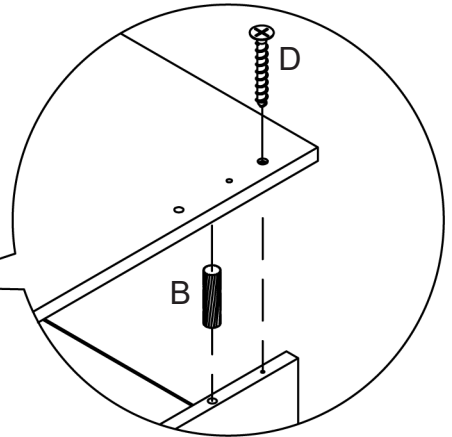
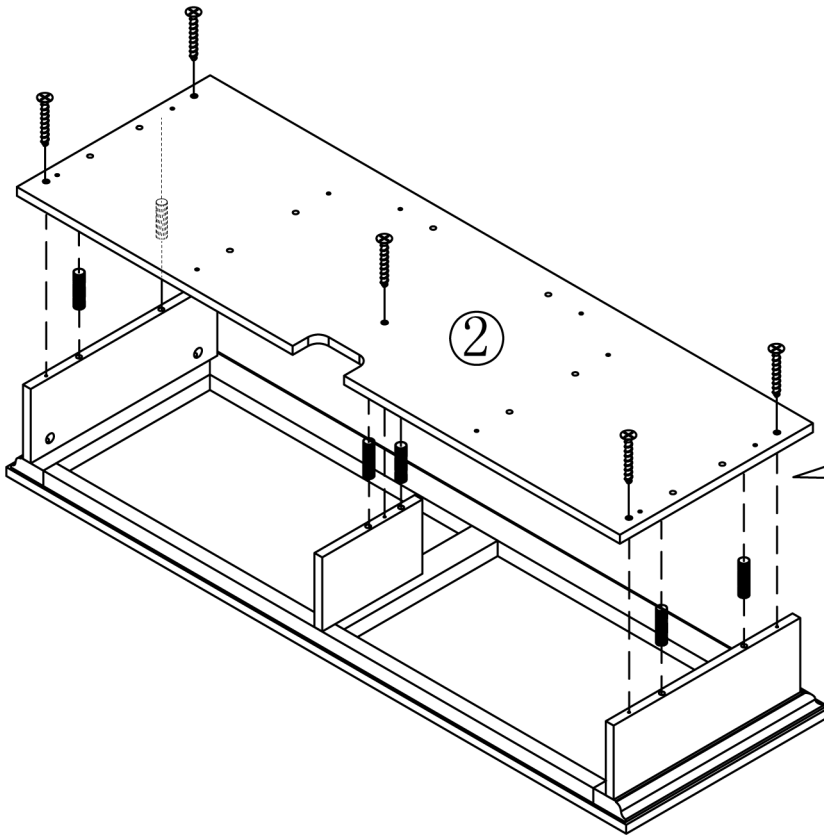


2

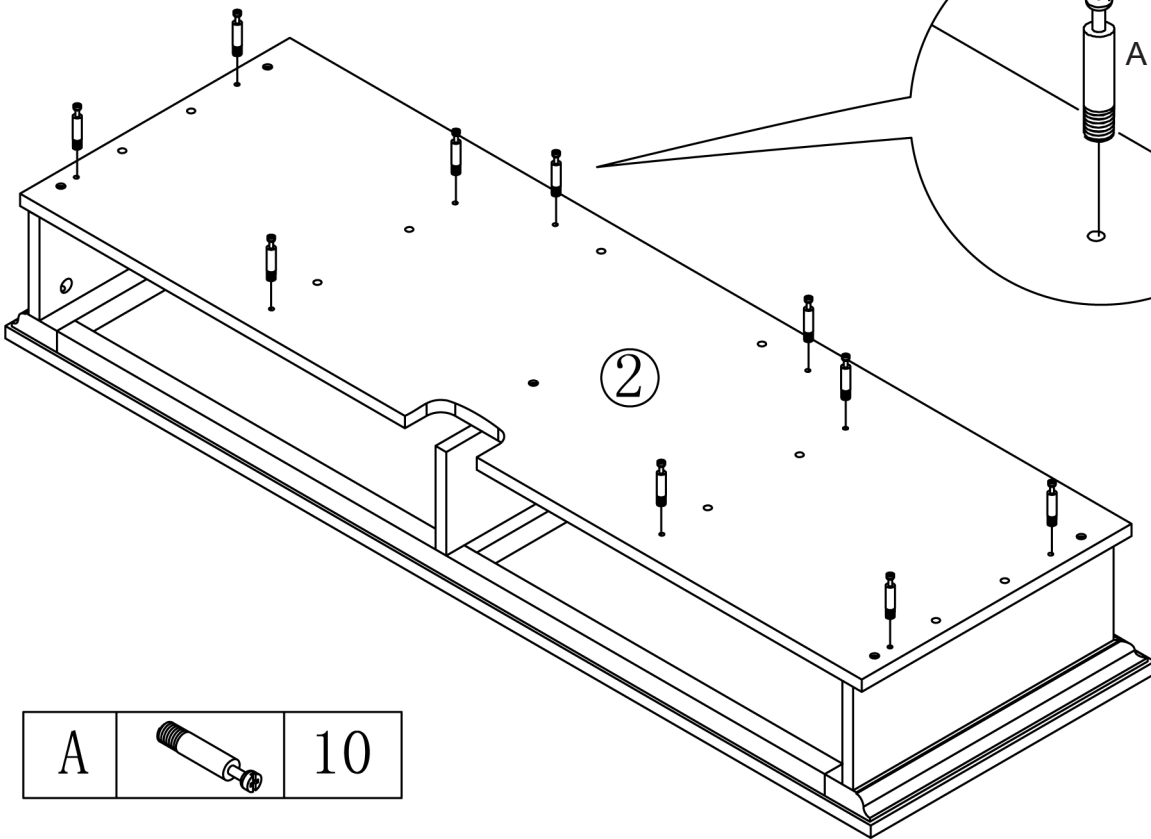
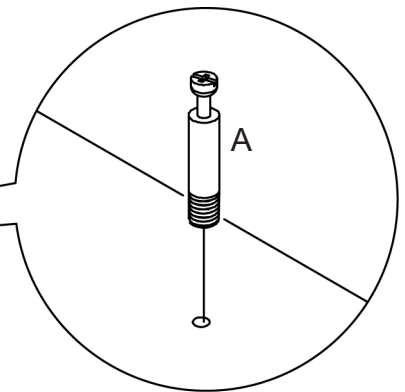



3

B		6
D		5

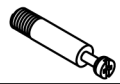


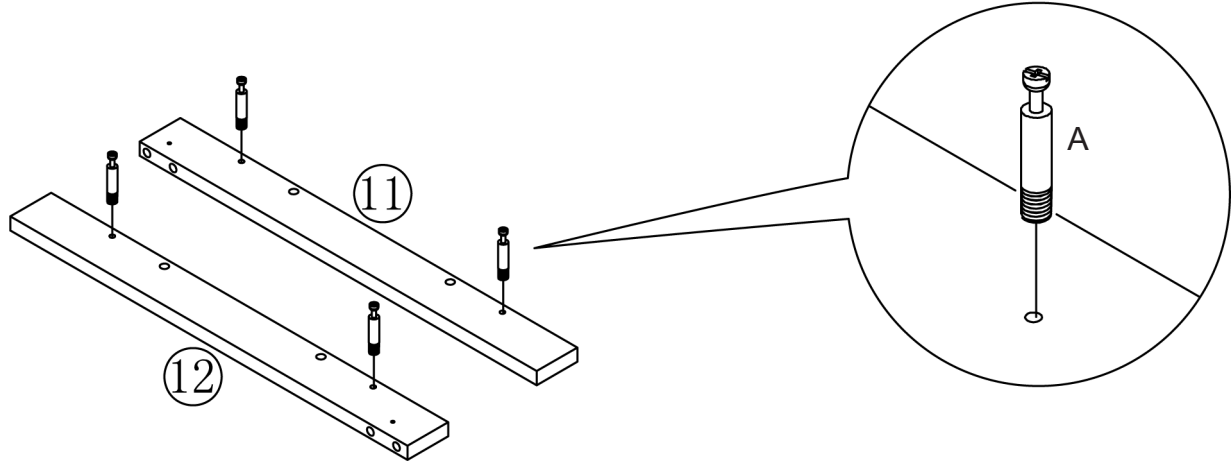
4



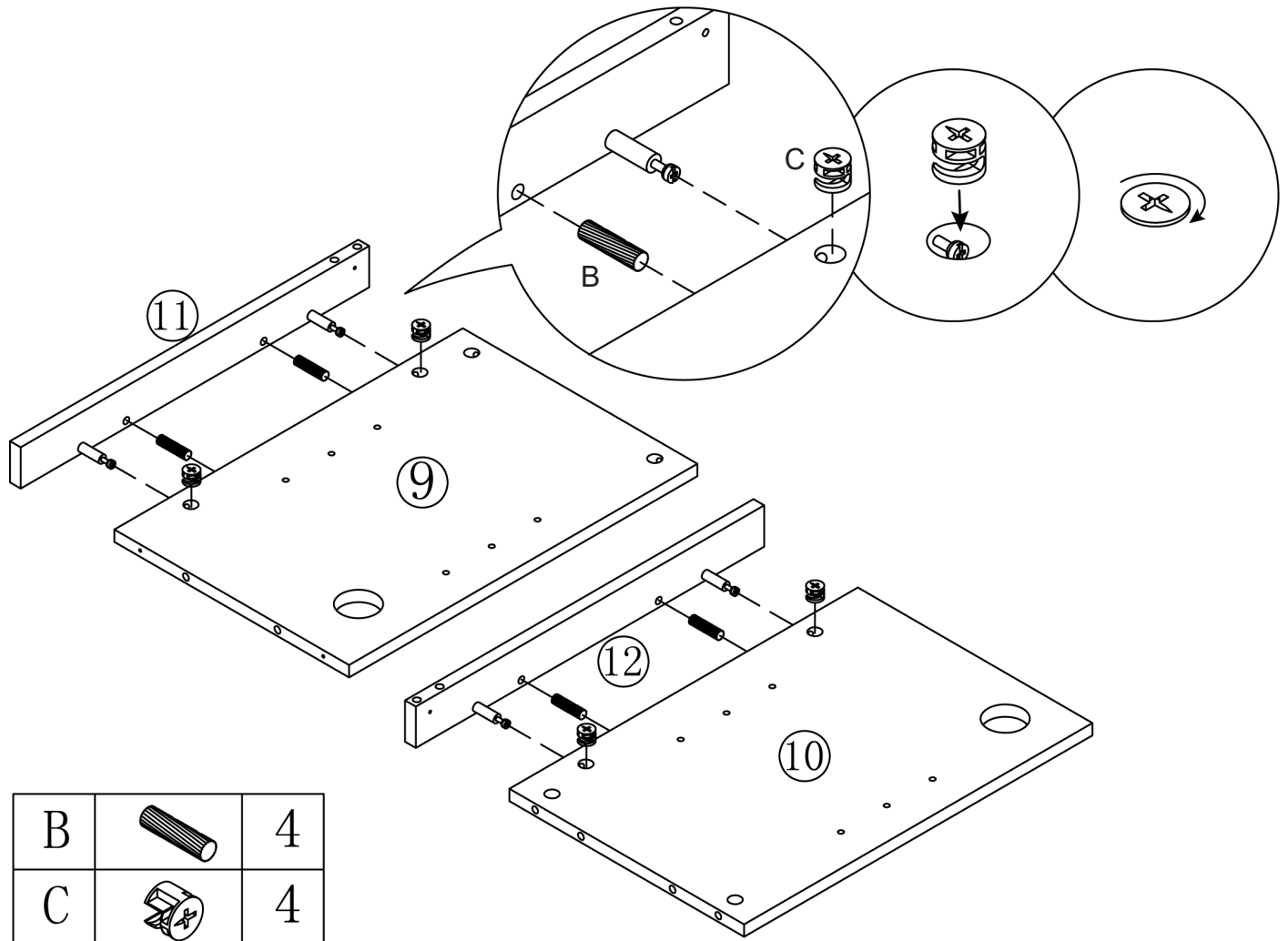
A		10
---	---	----



5

A		4
---	---	---




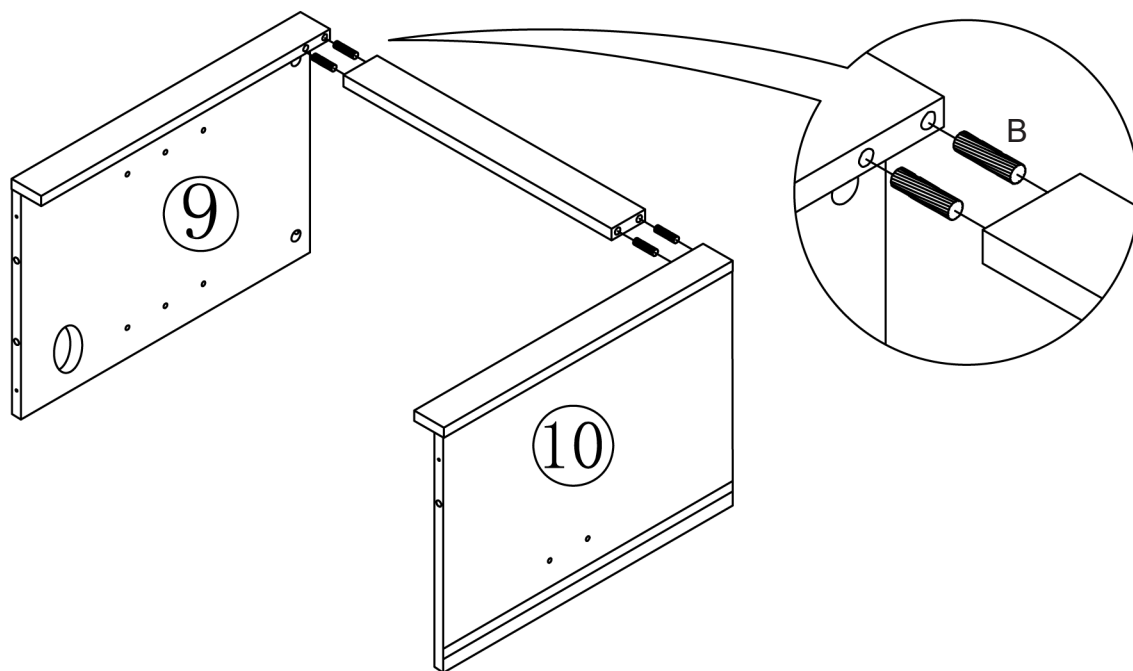
6





B		4
C		4

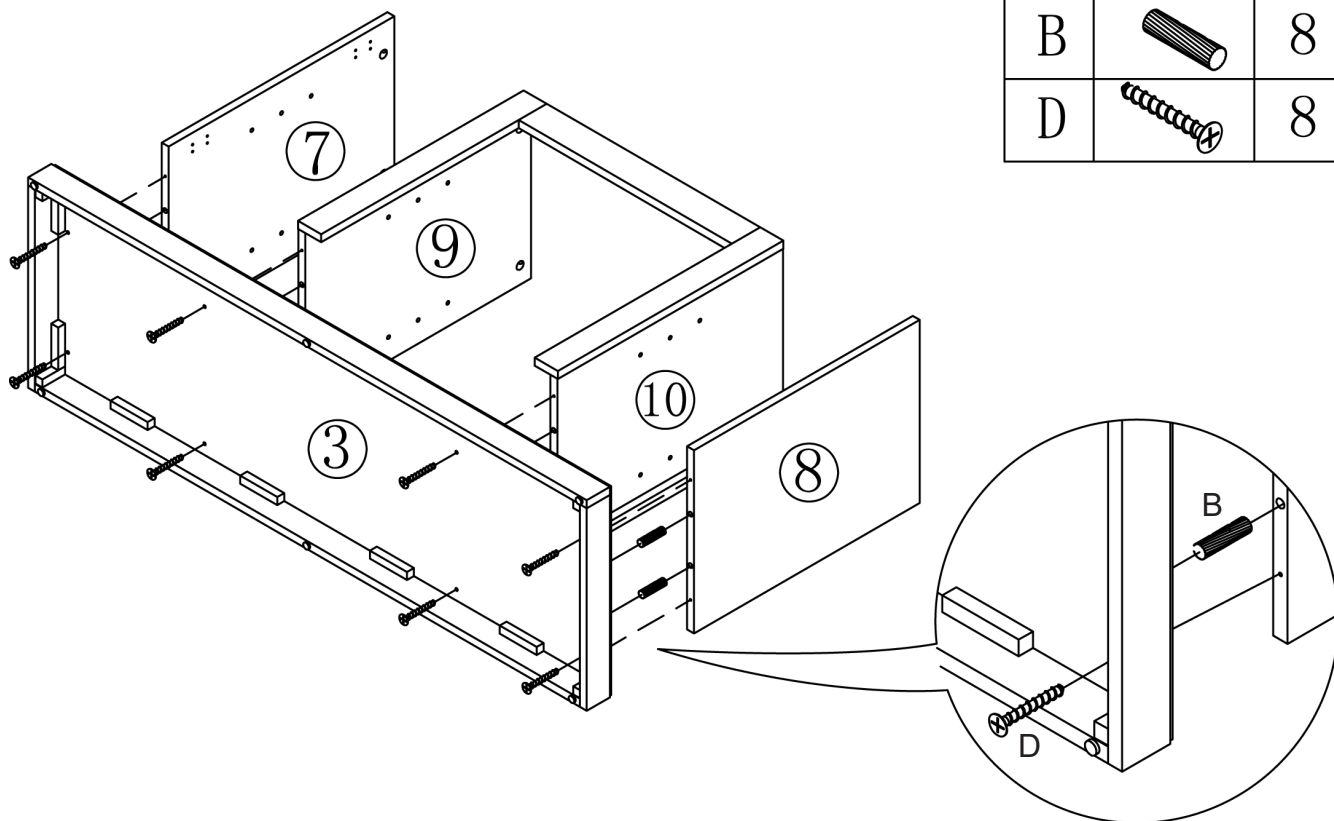
7

B		4
---	---	---

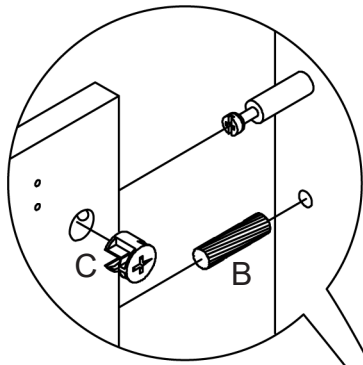




8

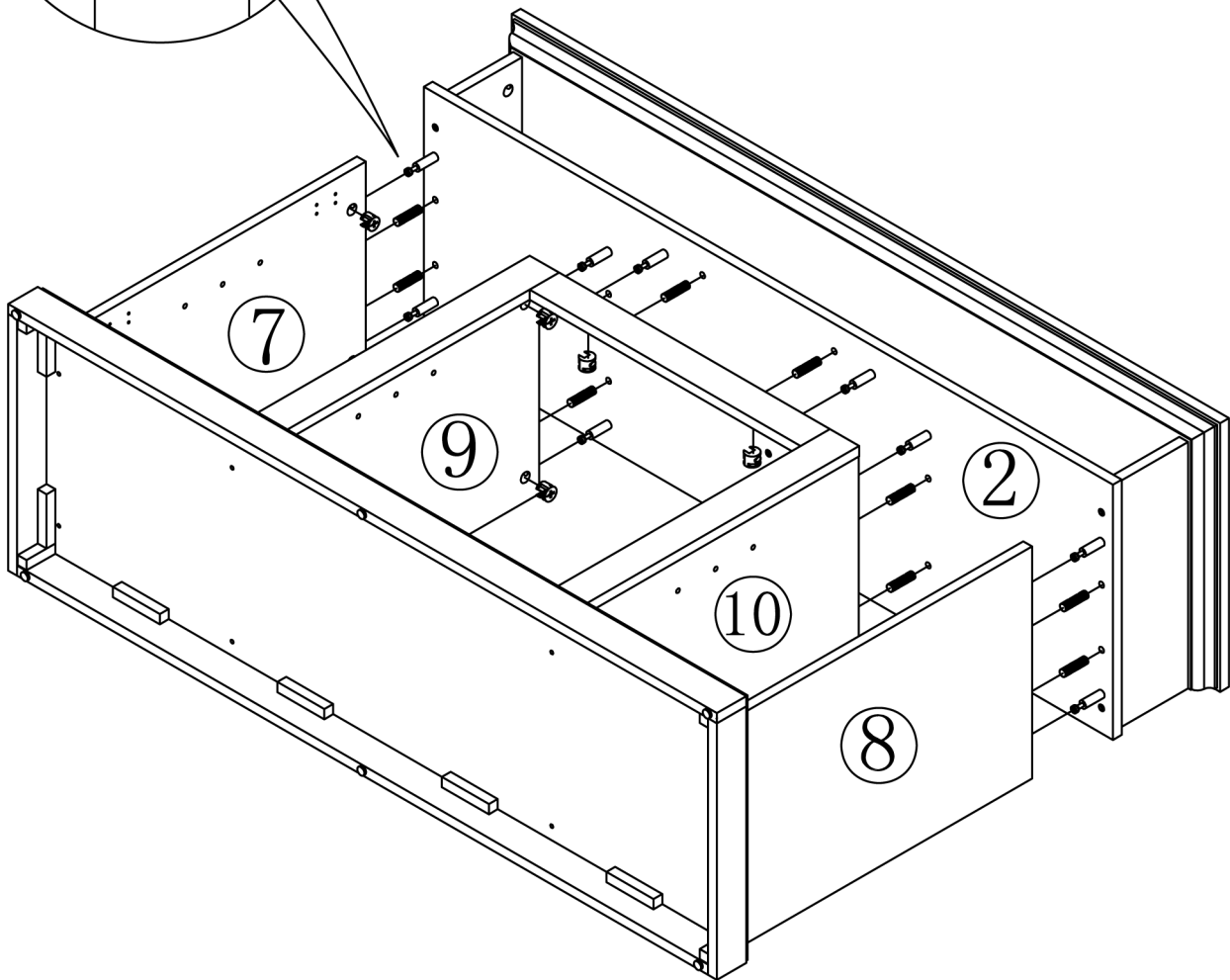
B		8
D		8



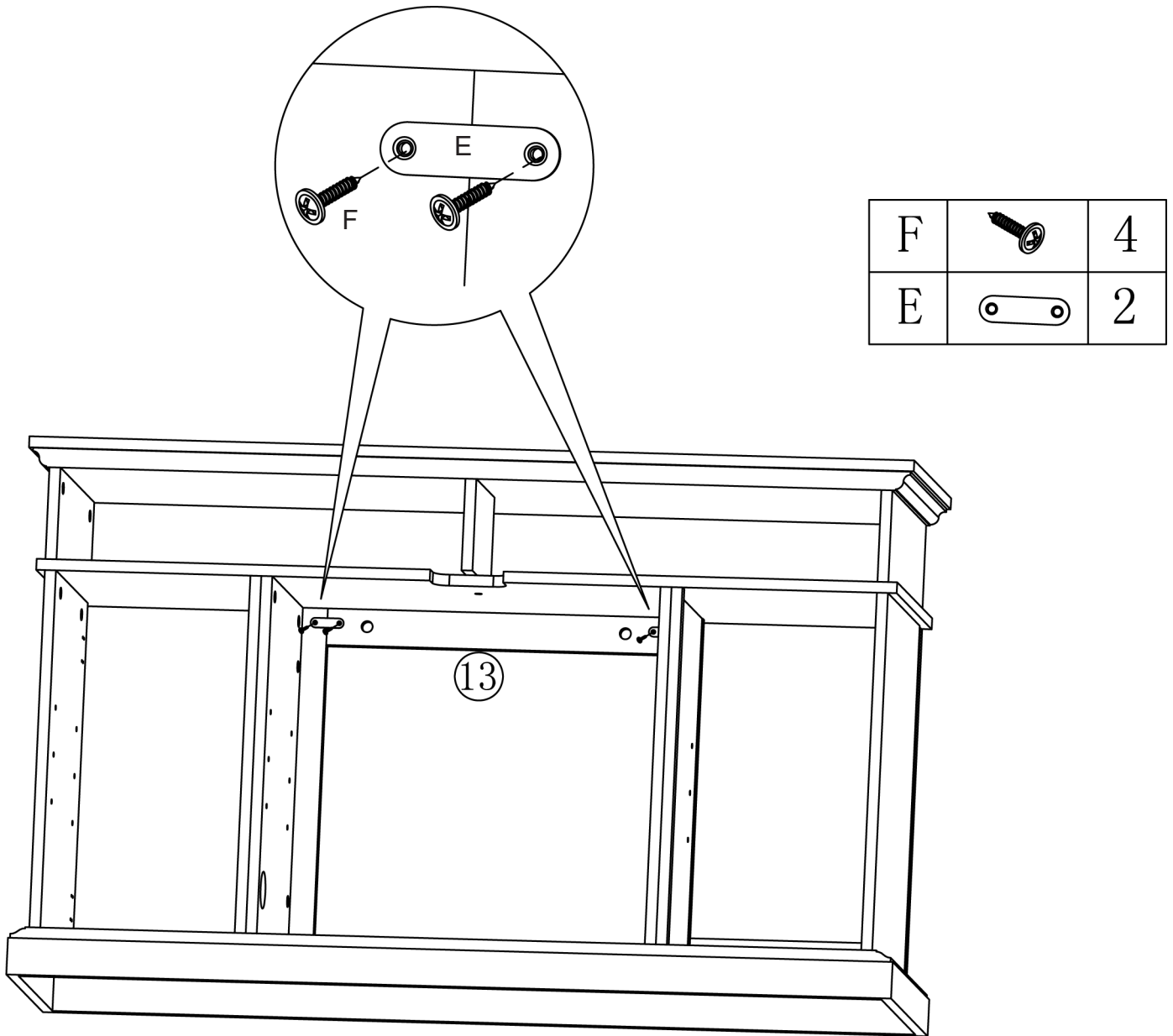
9



B		10
C		10

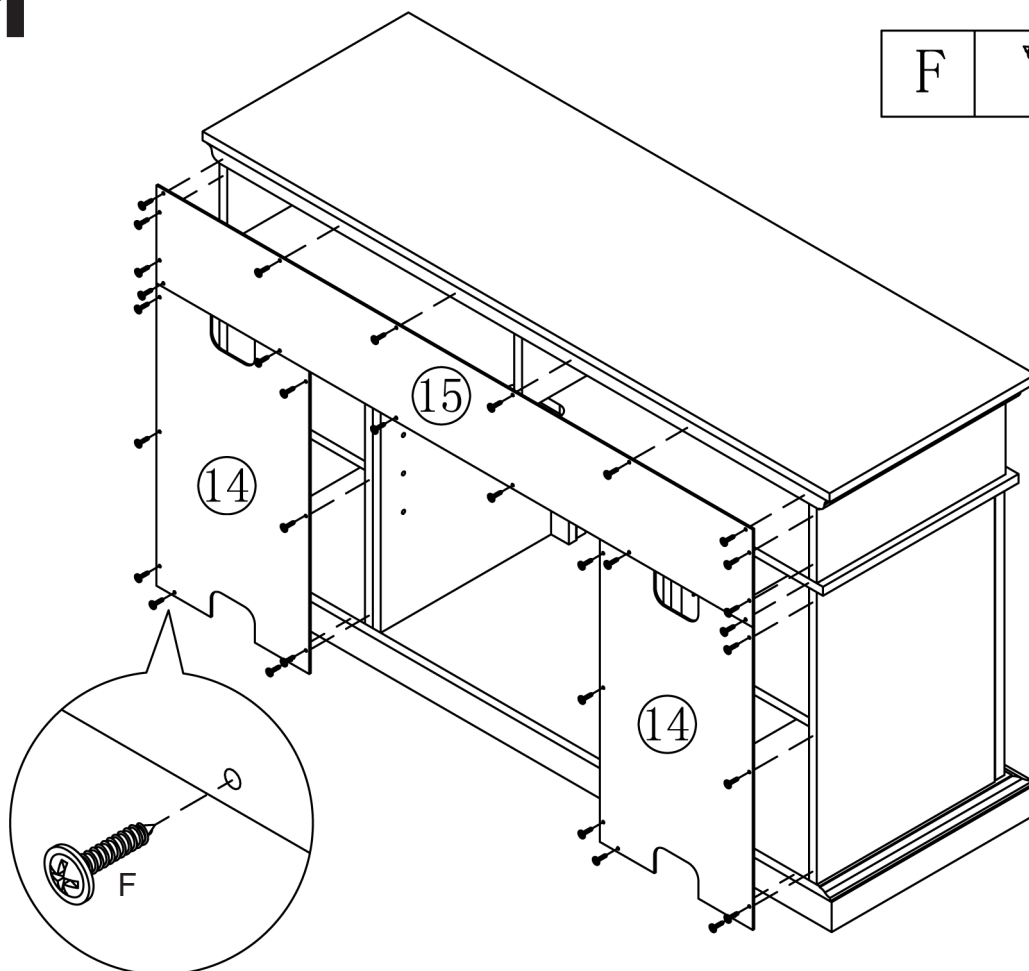


10


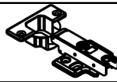



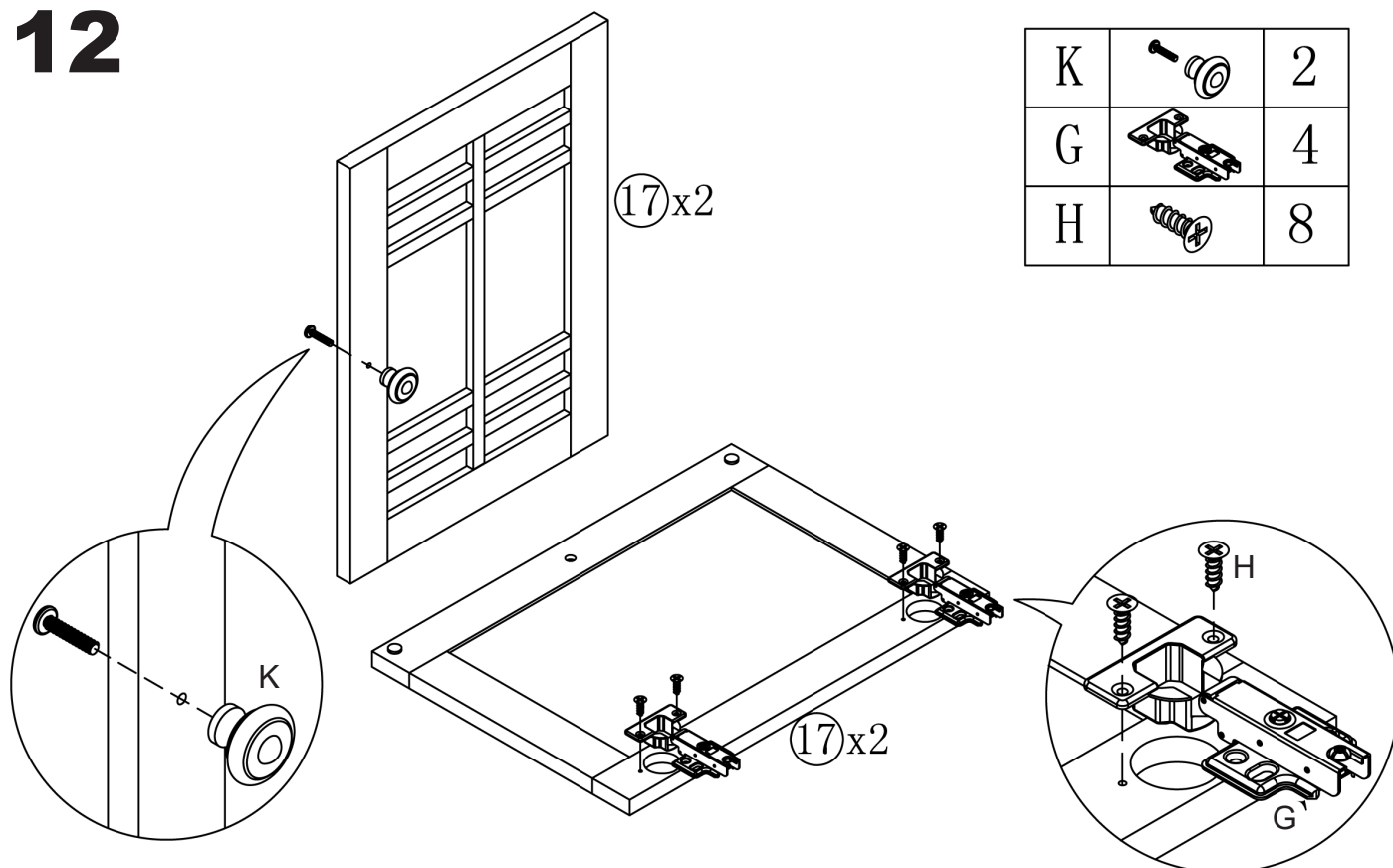
11

F		32
---	---	----




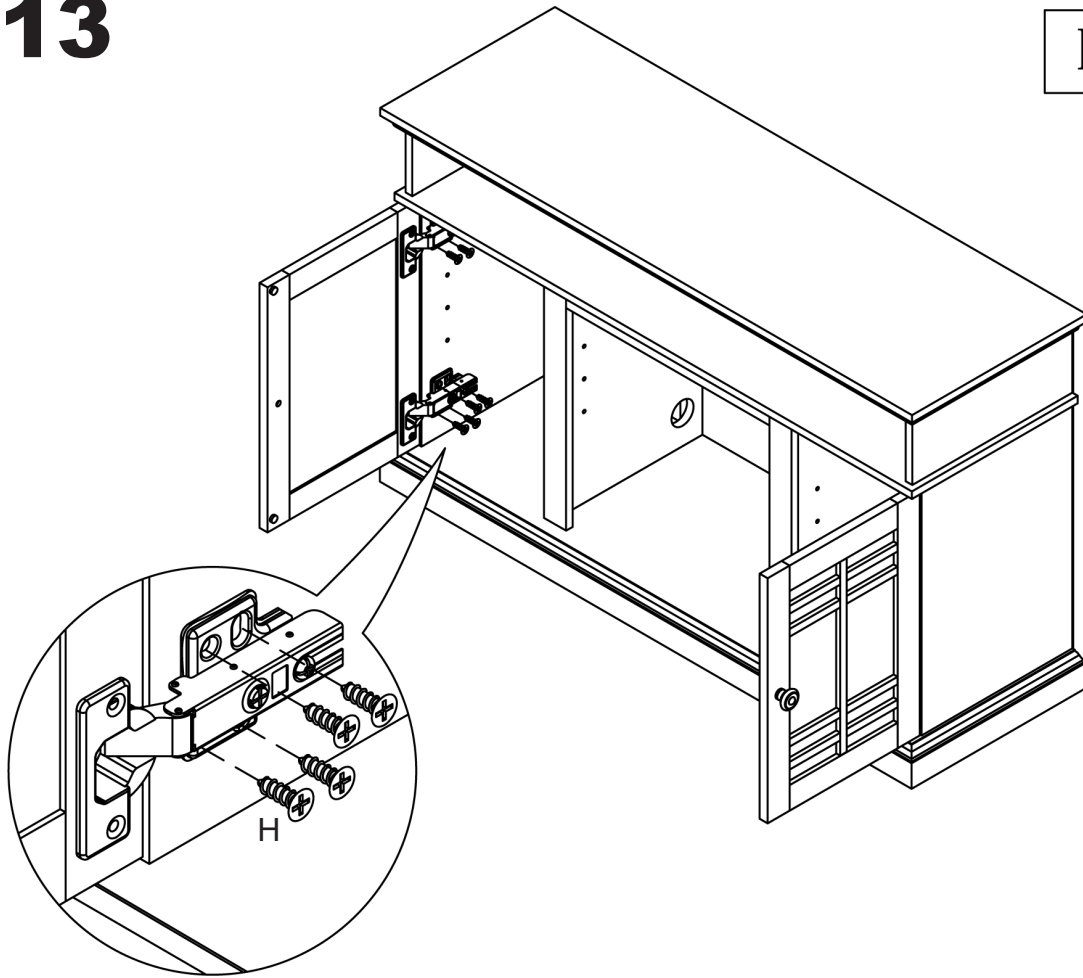
12

K		2
G		4
H		8

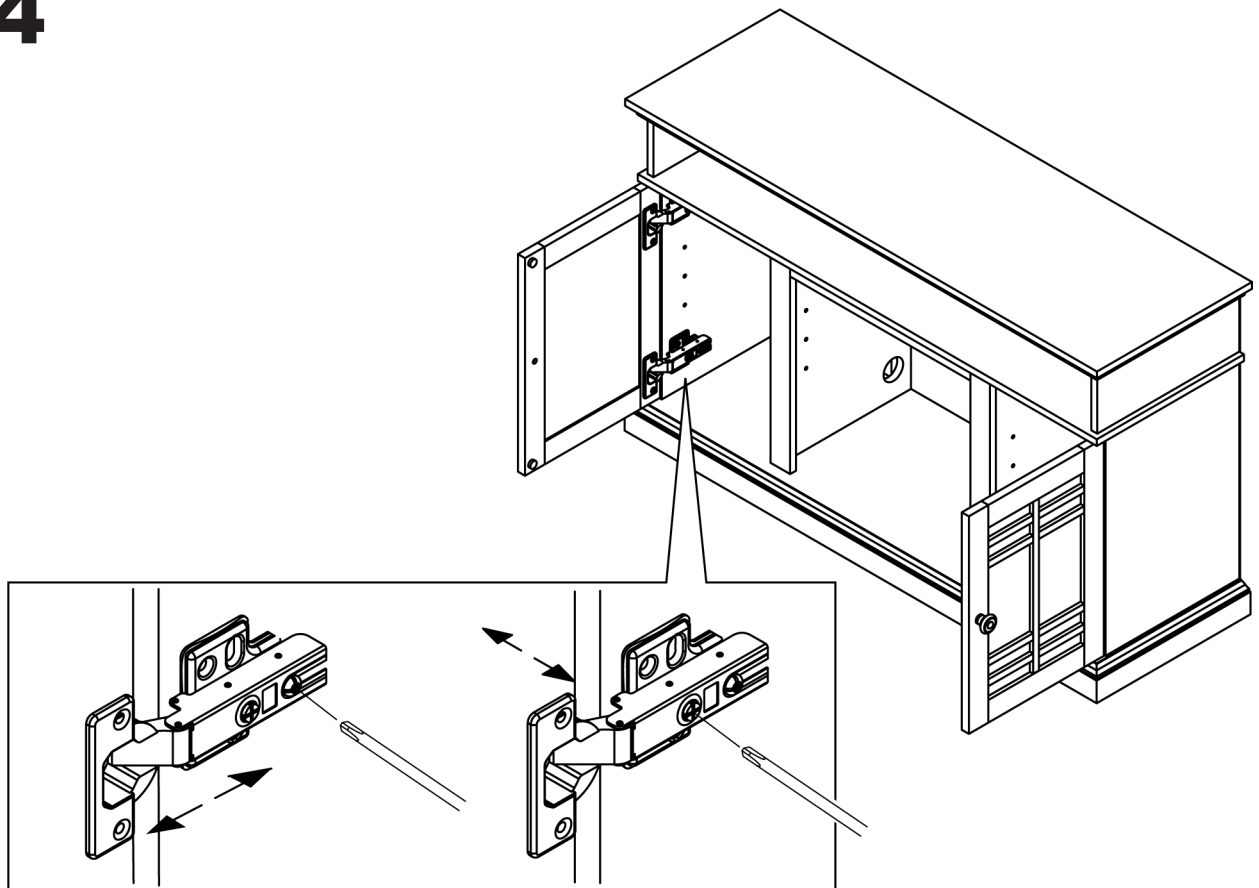


13

H		16
---	---	----

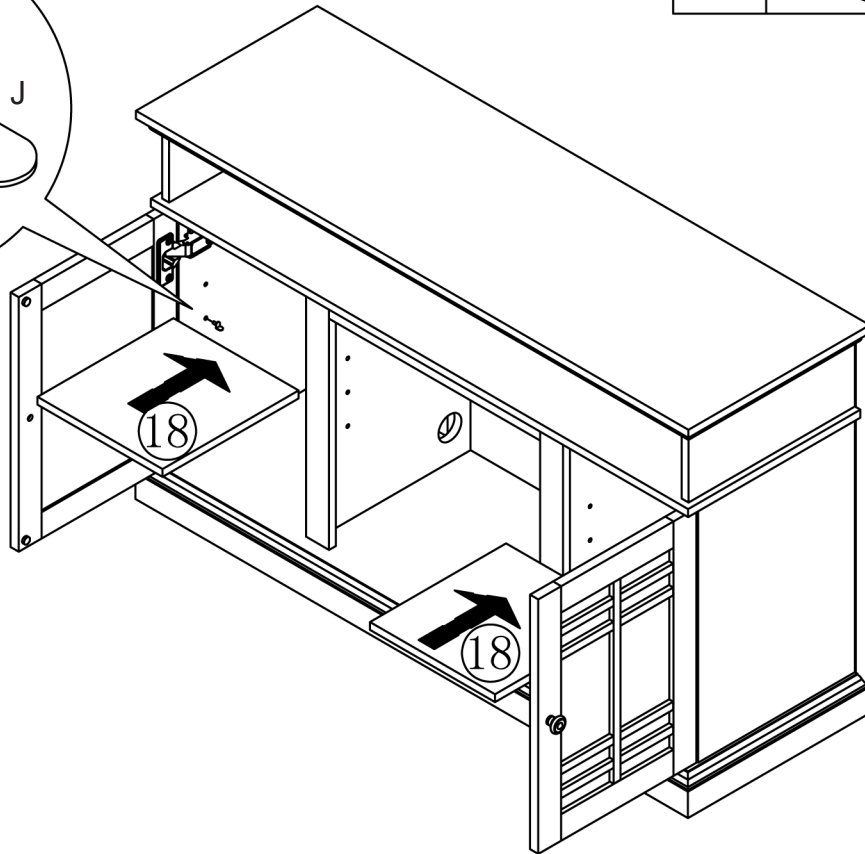
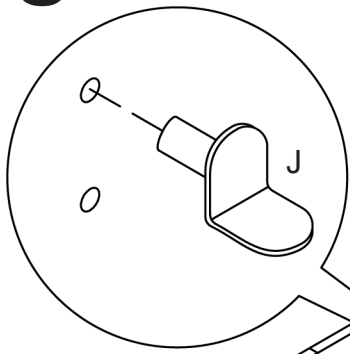


14

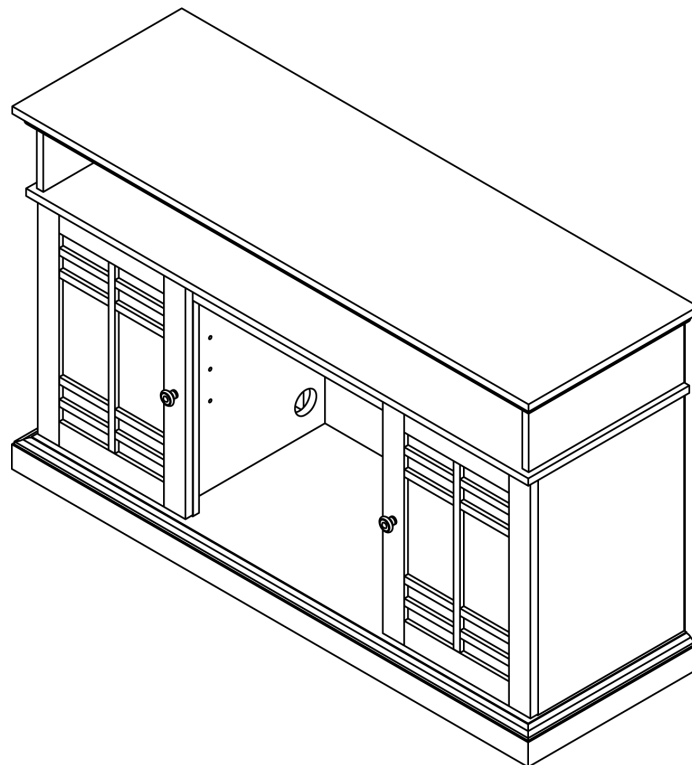


15

J		8
---	---	---



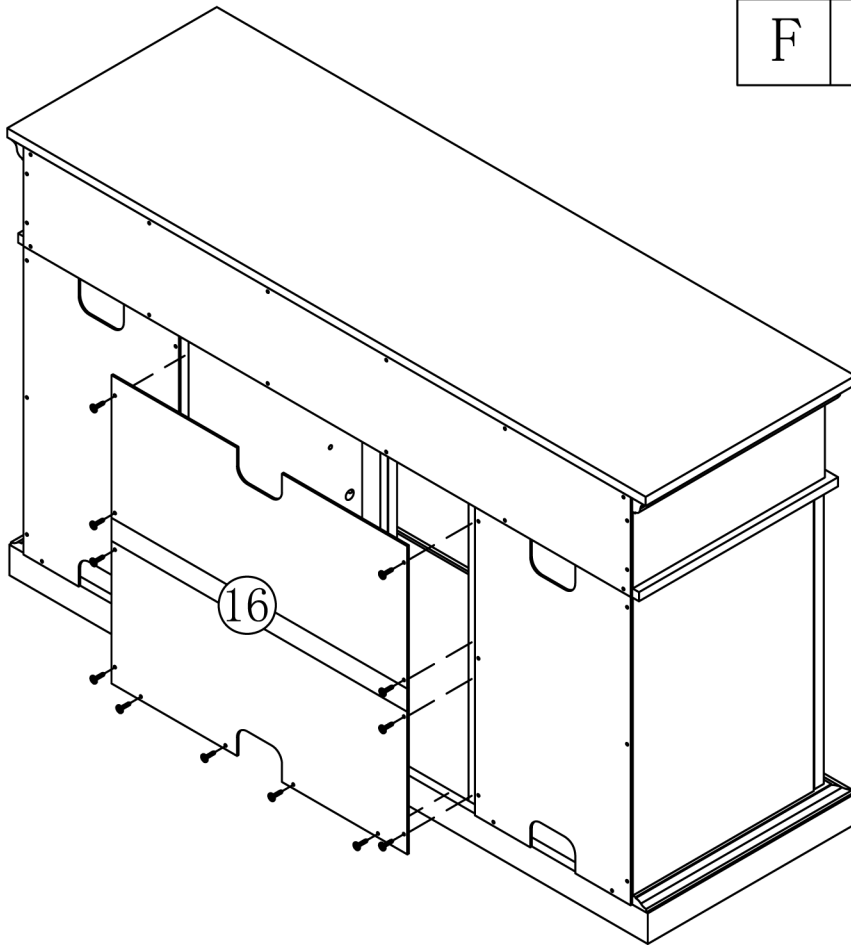
16



If you Intended to use this product as fireplace mantel, do not proceed to the next step.

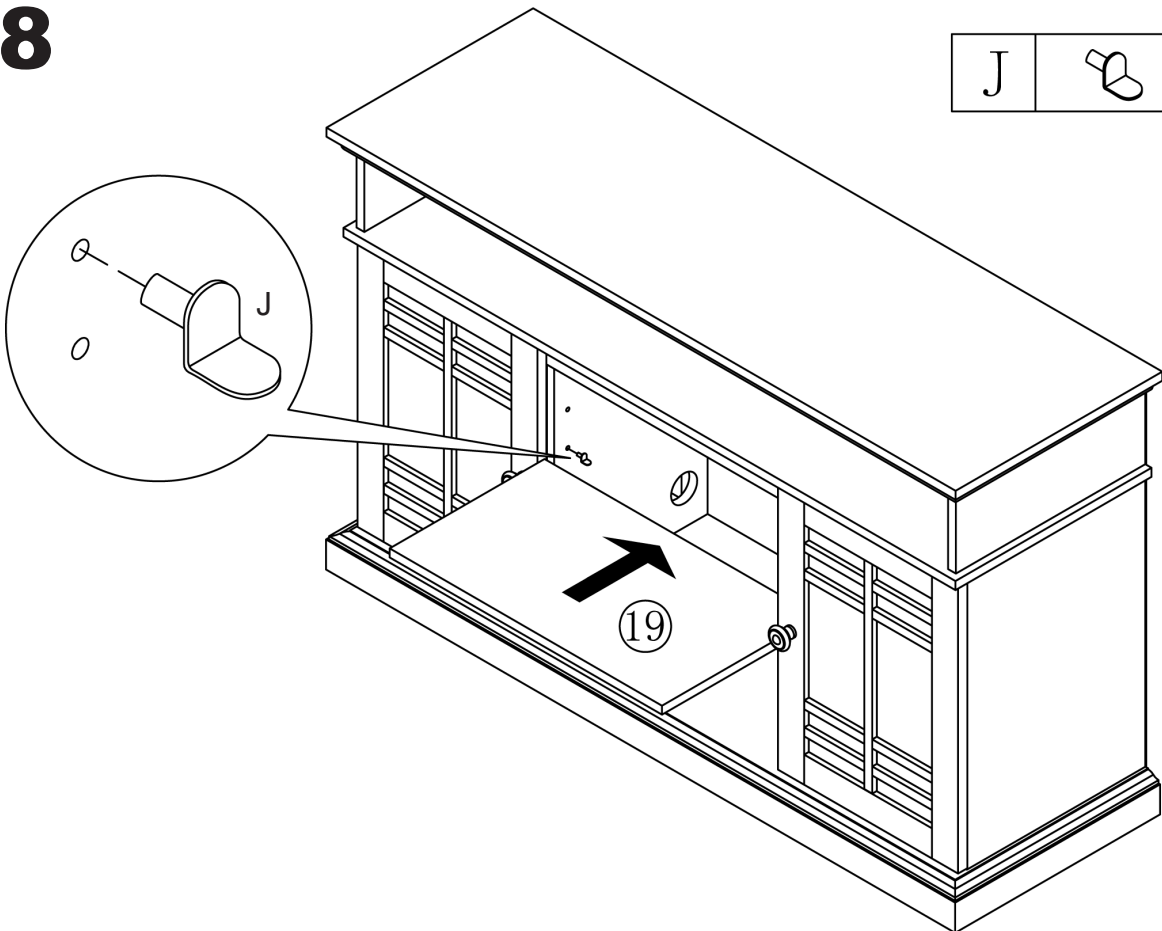
17

F		12
---	---	----

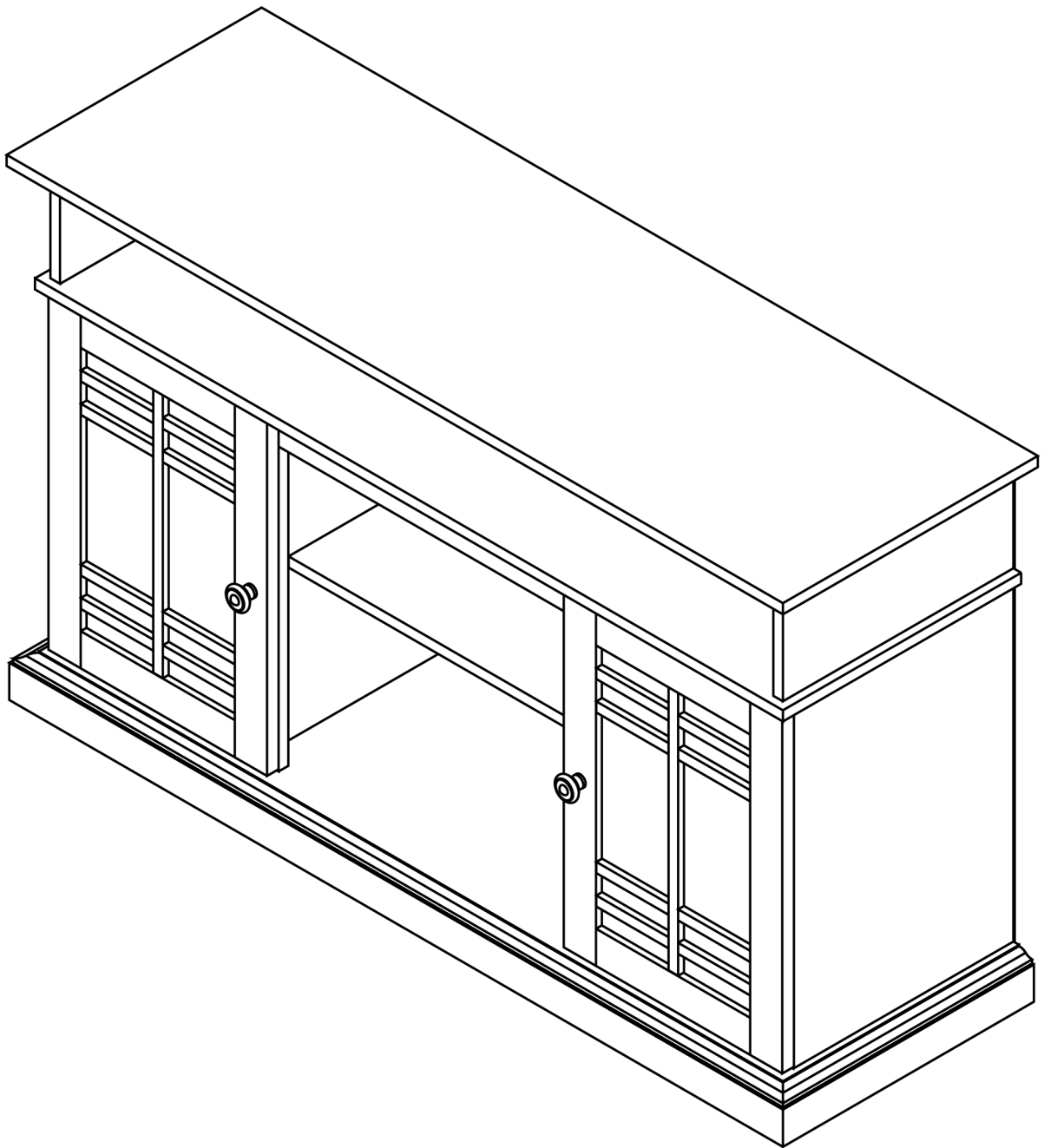


18

J		4
---	---	---

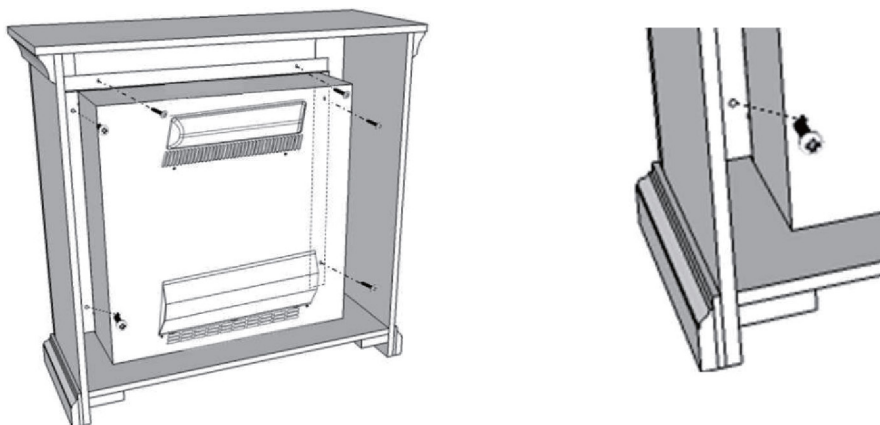


19



FINISH!

OPTIONAL ASSEMBLY



FIREPLACE INSTALLATION

If you decide to install the fireplace into the mantel, carefully set the unit from the back of the mantel and center it in the opening.

Check the alignment and attach the unit to the mantel by inserting screws through the drilled holes on the trim to the mantel.

NOTE: Do not attempt to install the unit from the front of the mantel. It will not fit.