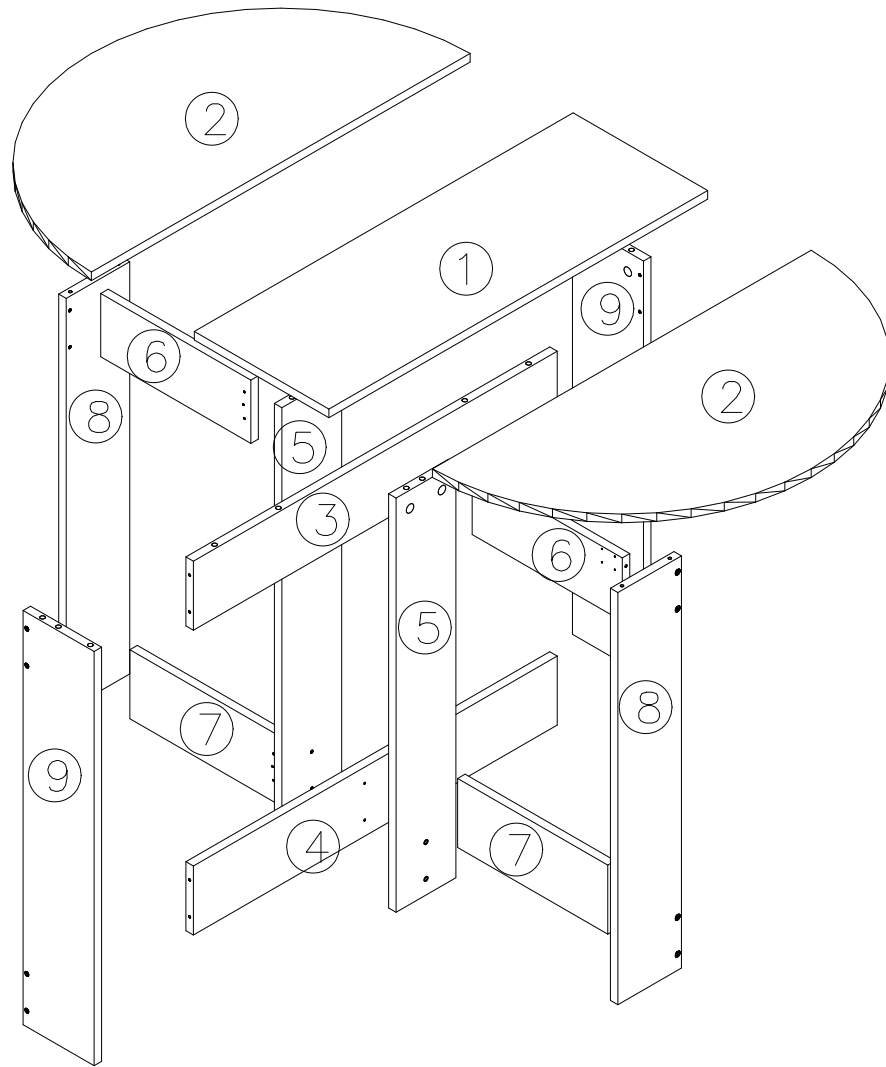
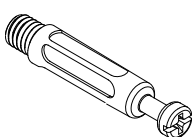
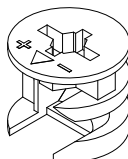
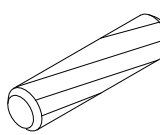

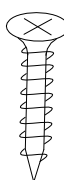
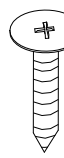
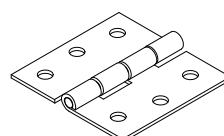
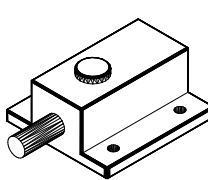
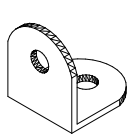
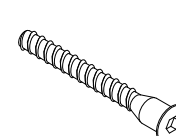
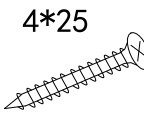


Please read these instructions and warranty information carefully before use and keep them properly for future reference.

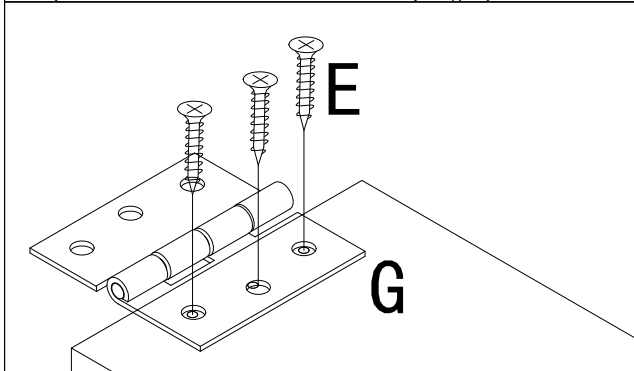
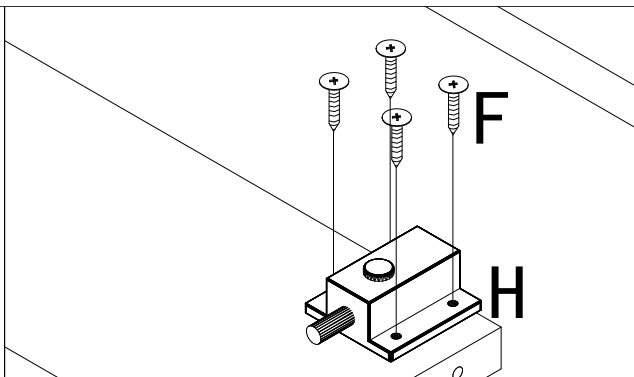
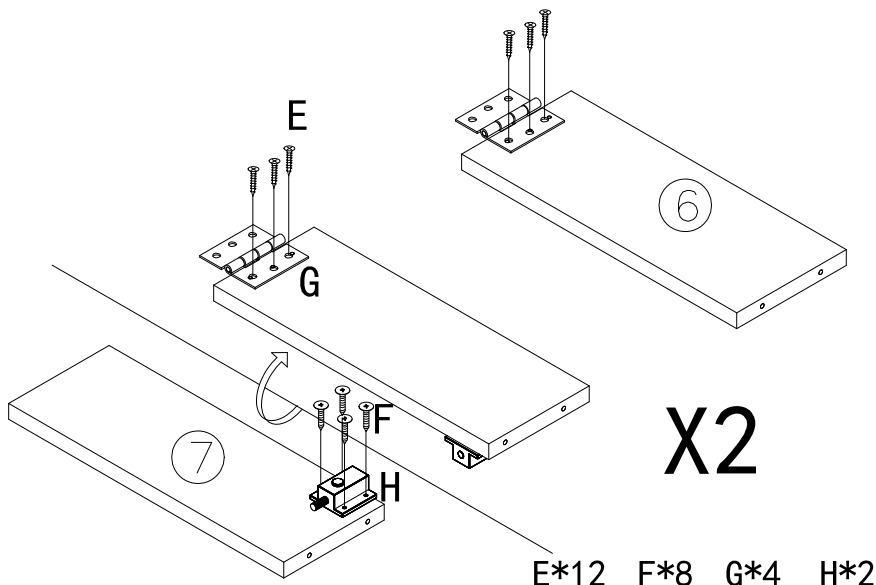
OPERATING INSTRUCTIONS

Parts and Accessories

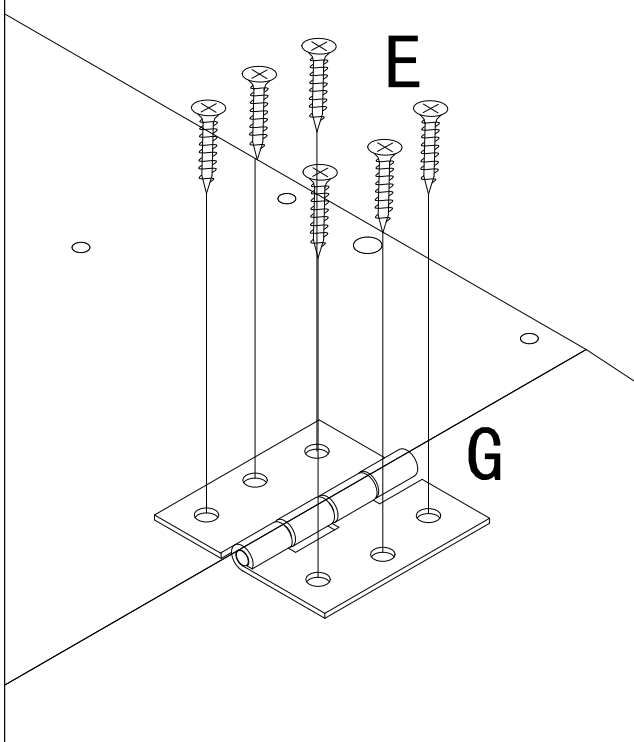
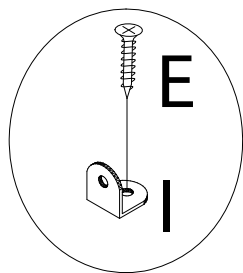
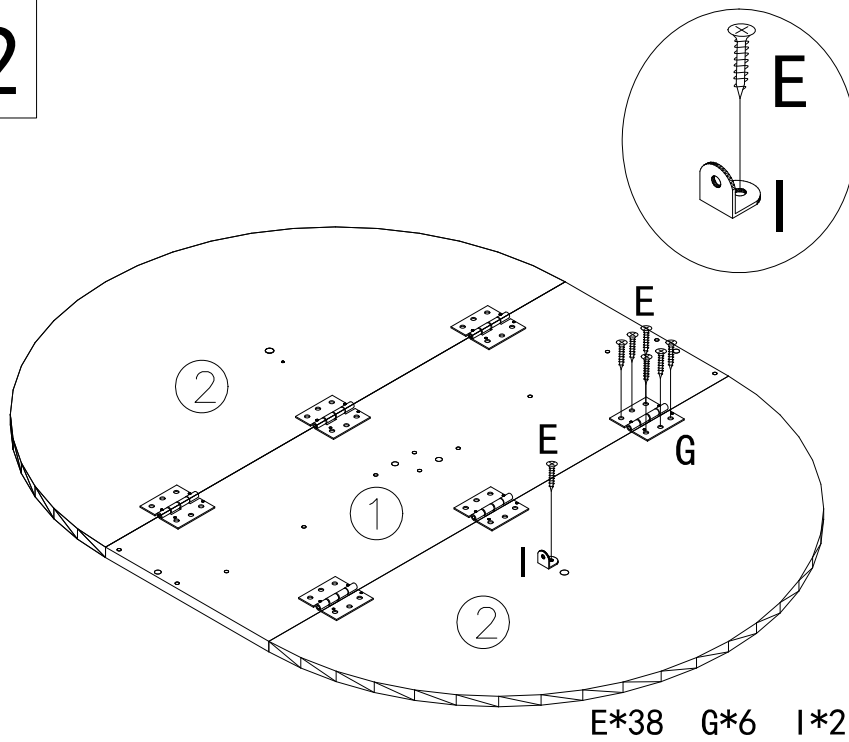


A 12pcs 	B 12pcs 	C 4pcs 	D 32pcs 
E 62pcs 	F 8pcs 	G 10pcs 	H 2pcs 
I 2pcs 	J 16pcs 	K 4pcs 4*25 	

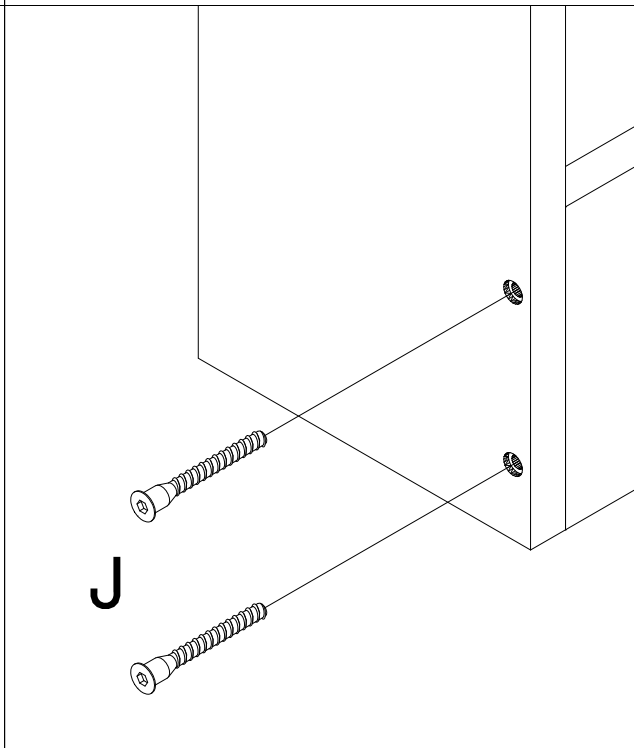
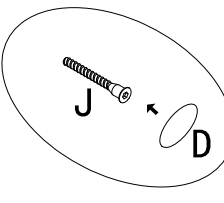
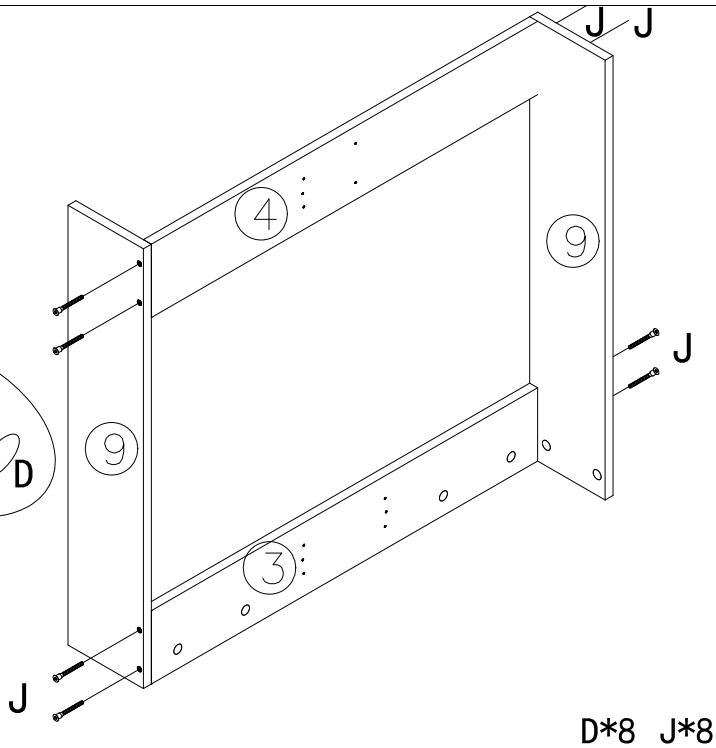
1

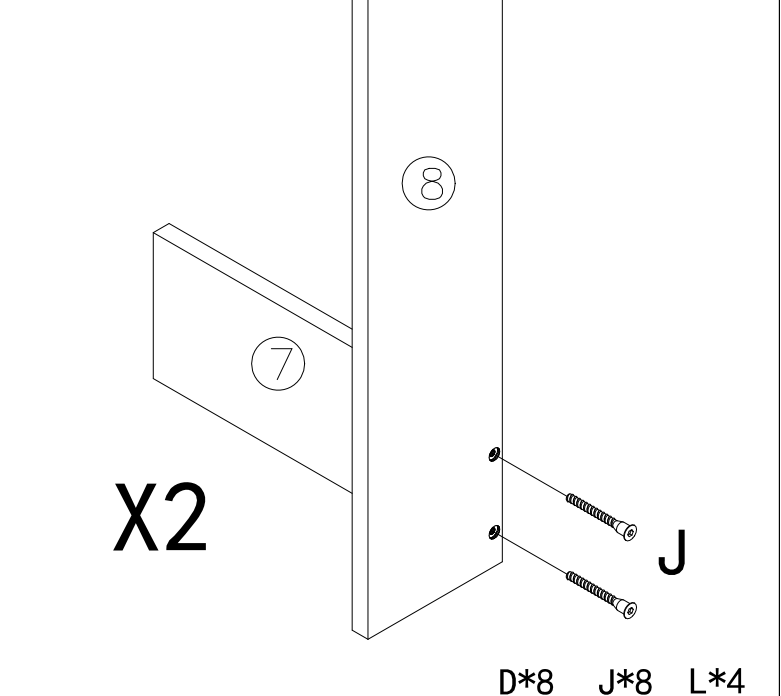
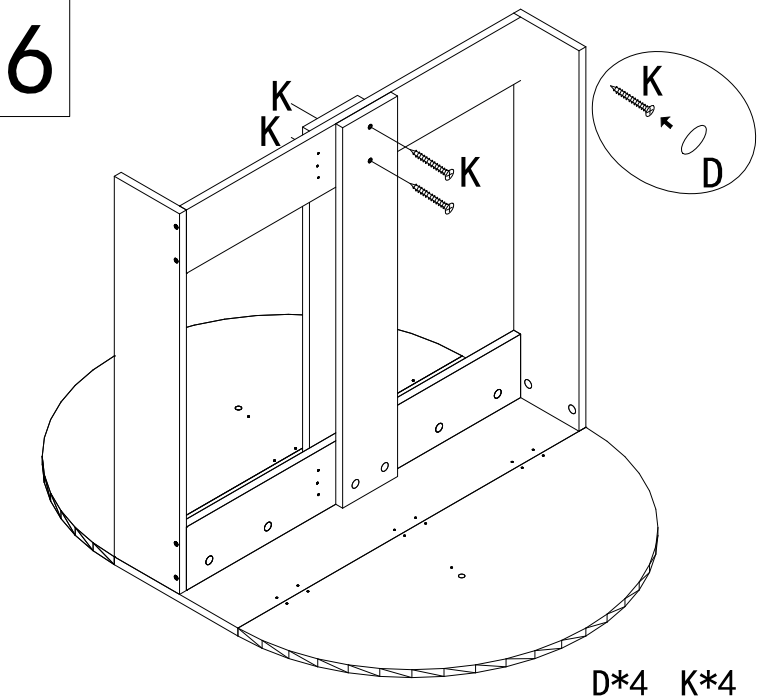
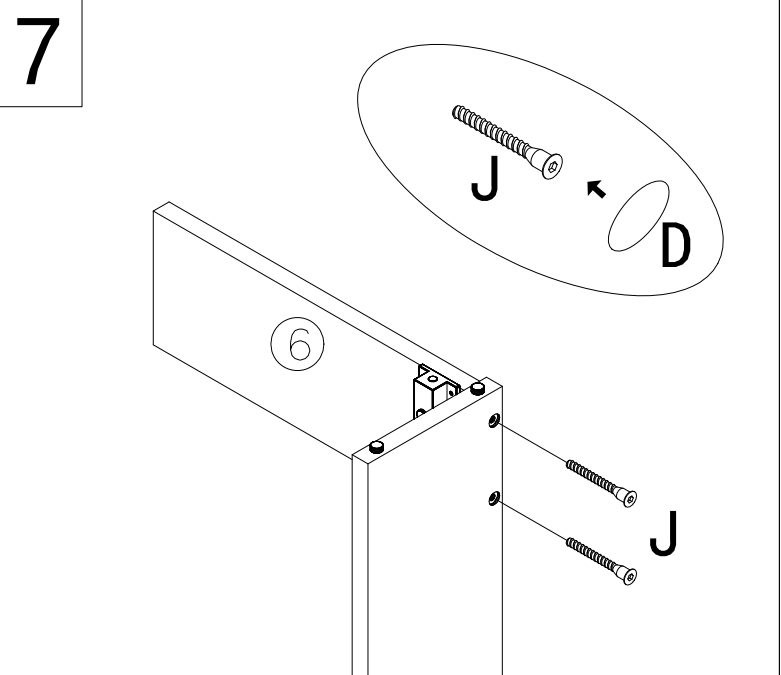
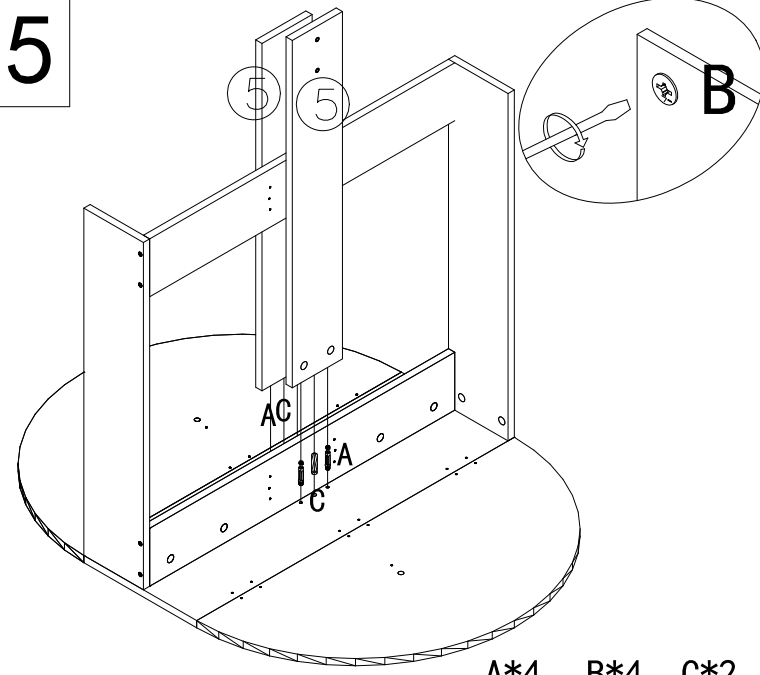
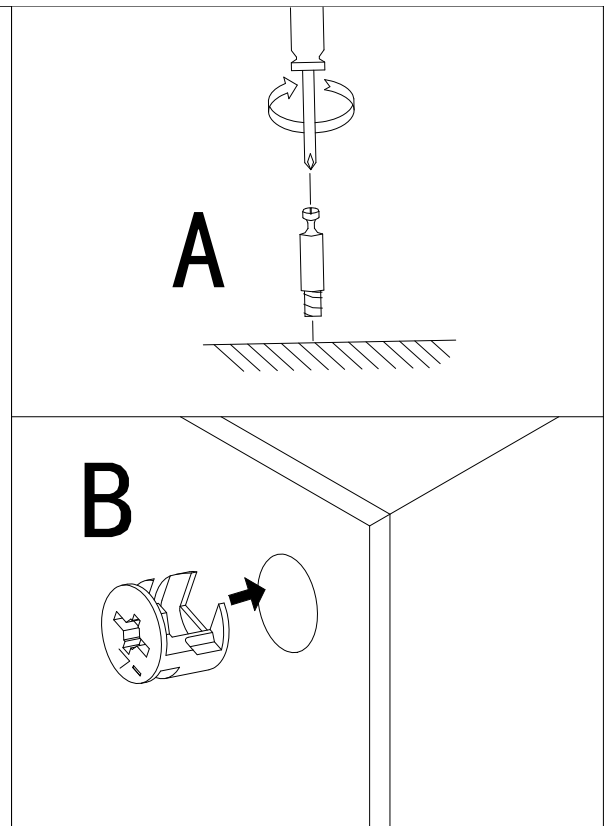
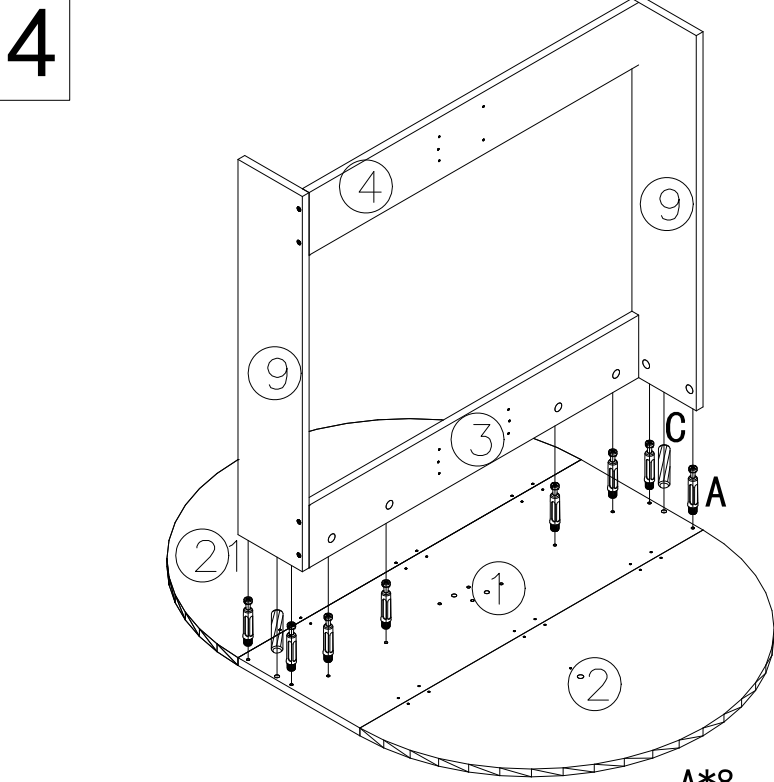


2

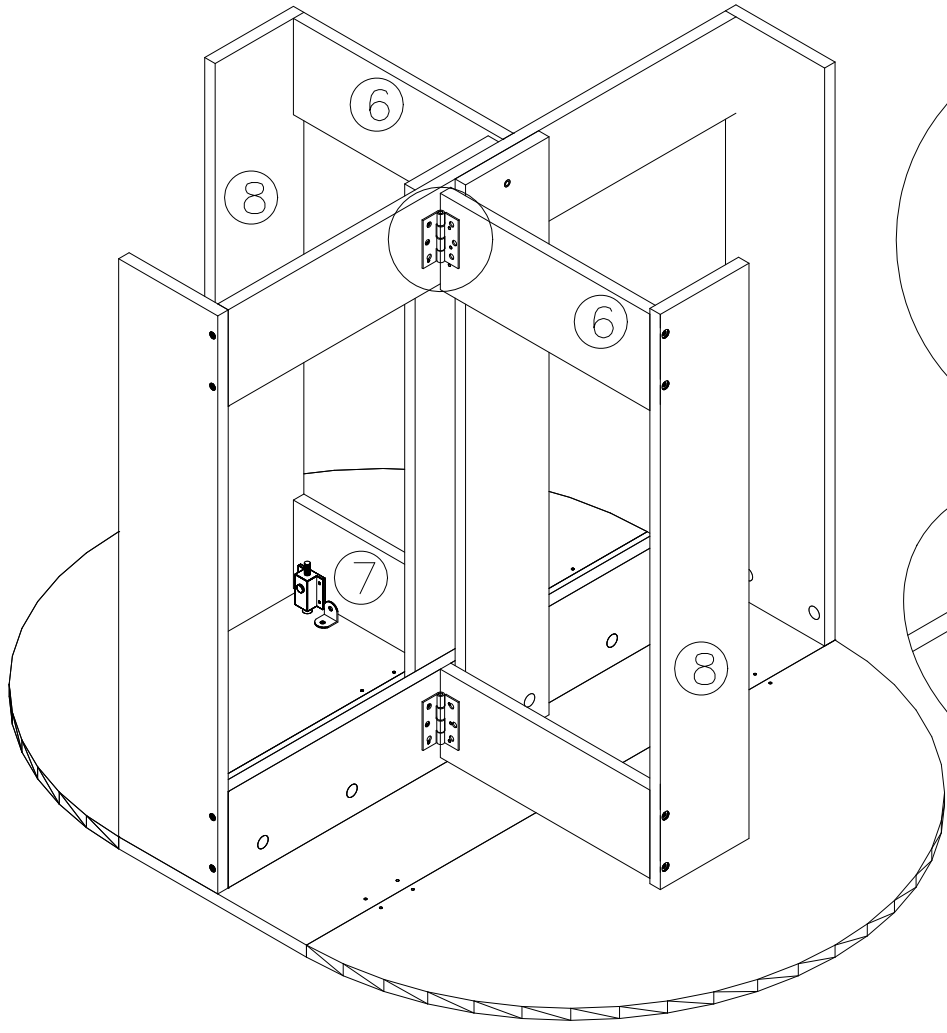


3





8



D*12 E*12

9

