

USER MANUAL

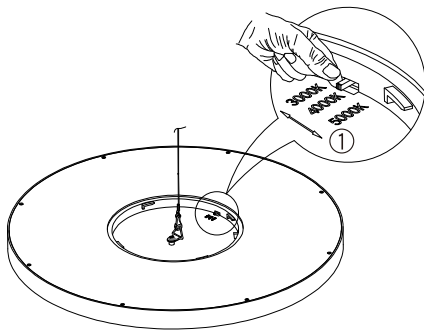
CAUTION

1. BE SURE THE ELECTRICITY TO THE WIRES YOU ARE WORKING ON IS SHUT OFF; EITHER THE FUSE IS REMOVED OR THE CIRCUIT BREAKER IS TURNED OFF. TURNING THE POWER OFF USING THE LIGHT SWITCH IS NOT SUFFICIENT TO PREVENT ELECTRICAL SHOCK.
2. DO NOT INSTALL OR USE THE LIGHT FIXTURE IF ANY PART IS MISSING OR DAMAGED. CONTACT YOUR DEALER FOR REPLACEMENT OR MISSING PARTS.
3. SOME METAL PARTS IN THE LIGHT FIXTURE MAY HAVE SHARP EDGES, TO PREVENT CUTS OR SCRAPES, WEAR GLOVES BEFORE INSTALLATION.
4. TO PROTECT THE FINISH, WEAR GLOVES BEFORE INSTALLATION, DO NOT USE CLEANSERS OR ABRASIVES DURING MAINTENANCE.
5. TO AVOID POSSIBLE FIRE OR ELECTRICAL SHOCK, MAKE SURE NO BARE WIRE STRANDS ARE EXPOSED OUTSIDE WIRE CONNECTORS.

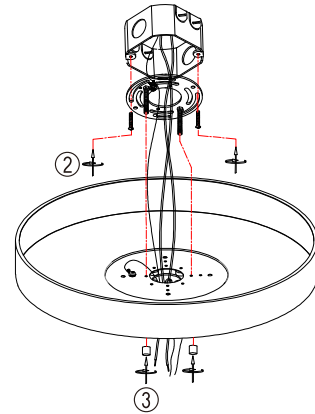


6. IF IN DOUBT ABOUT ELECTRICAL INSTALLATION, CONSULT A LICENSED ELECTRICIAN.

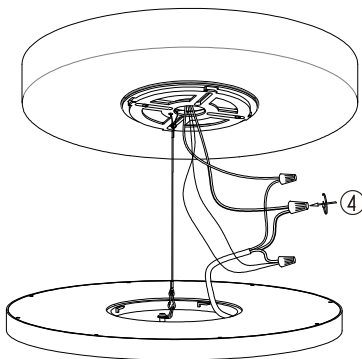
INSTALLATION DIAGRAM



1

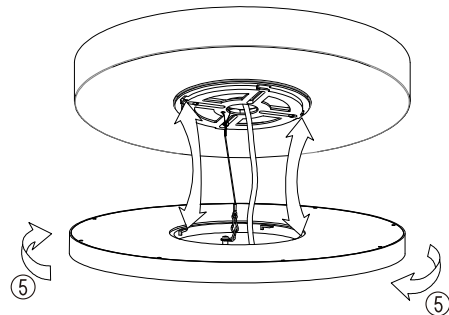


2



3

4



5

5

PARTS BAG



Wire nut



Bracket mounting screw



plastic paper

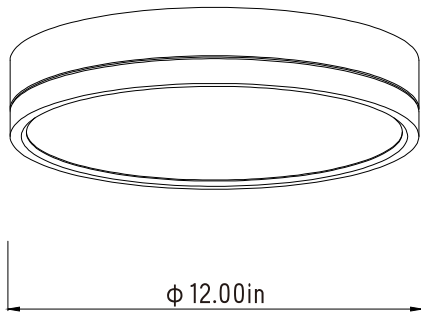
CAUTION

White (or ribbed) wire From house White (or ribbed) wire From fixture

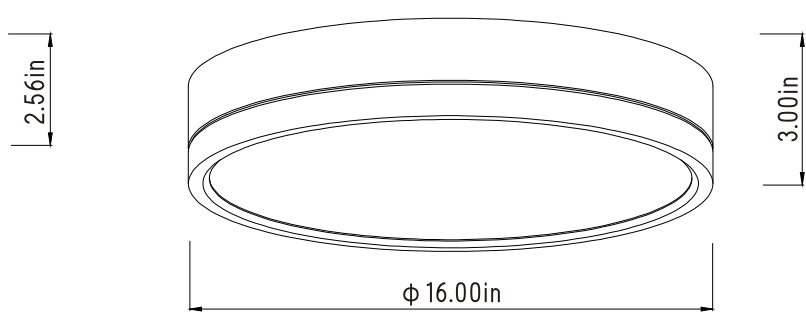
Black (or red) wire From house Black (or smooth) wire From fixture

Copper (green) ground wire From house Copper (green) ground wire From fixture

DIMENSION



X0011-300



X0011-400

SPECIFICATIONS

Voltage	Wattage	Lumen	CCT	CRI	Finish Type	Dimmable	Average Life
AC110-130V	24W	2400lm	3000K-4000K-5000K	> 80	Black,Glod, Black+Glod	Yes	30000H
AC110-130V	36W	3600lm	3000K-4000K-5000K	> 80	Black,Glod, Black+Glod	Yes	30000H

SPECIFICATIONS

	Brand	Lutron	Lutron	Lutron	Lutron	Lutron	Leviton	Leviton	Copper
	Model	CTCL-153P	DVCL-153P	MACL-153M	PD-6WCL	TGCL-153P	DSM10	DSL06	AAL06
	Brand	Lutron	Lutron	Lutron	Lutron	Lutron	Leviton	Leviton	Copper
	Model	CTCL-153P	DVCL-153P	MACL-153M	PD-6WCL	TGCL-153P	DSM10	DSL06	AAL06

LIMITED WARRANTY

The manufacturer warrants all of its lighting fixtures against defects in materials and workmanship for two years from the date of purchase. If within this period the product is found to be defective in material or workmanship, the product must be returned, with a copy of the original sales receipt as proof of purchase. The manufacturer will, at its option, replace or refund the original purchase price to the consumer. This warranty does not cover fixtures becoming defective due to misuse, accidental damage, improper handling and/or installation and specifically excludes liability for direct, incidental or consequential damages. As some states do not allow exclusions or limitations on an implied warranty, the above exclusions and limitations may not apply to you. This warranty gives you specific legal rights, and you may have other rights that vary from state to state.

