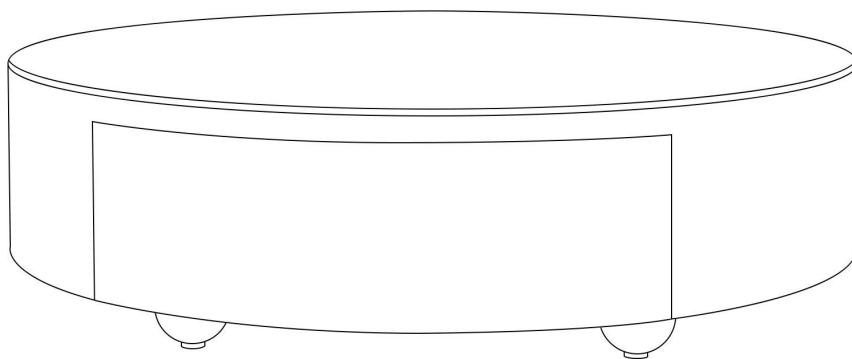
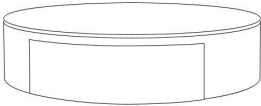





ASSEMBLY INSTRUCTIONS



Notice:

1. Follow the assembly instructions. Please confirm all accessories are preset before assembly.
2. Do not fully tighten the screws during assemble assembly. Fully tighten screws only once all pieces which are correctly assembled.
3. If you encounter any problems during assembly, please contact our customer service.
4. Please unbox the item from the side with an open-label and put a carpet on the floor to avoid scratching it.
5. Please remove the mounting kit from the drawer.

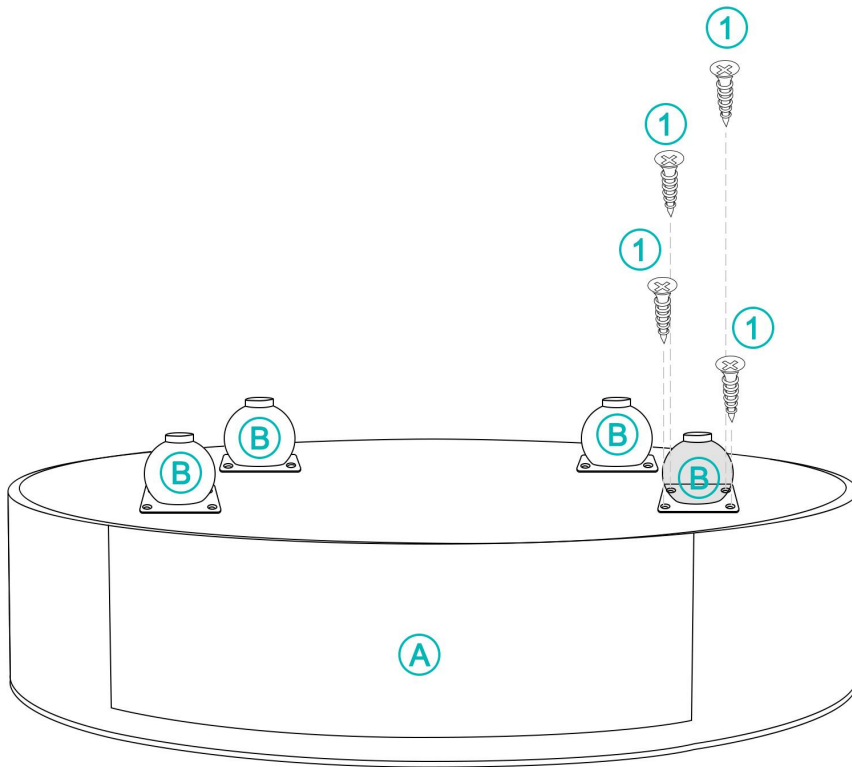
Item no.	Reference Image	Qty	Item no.	Reference Image	Qty
Ⓐ		X1	①		X16
Ⓑ		X4	②		X1

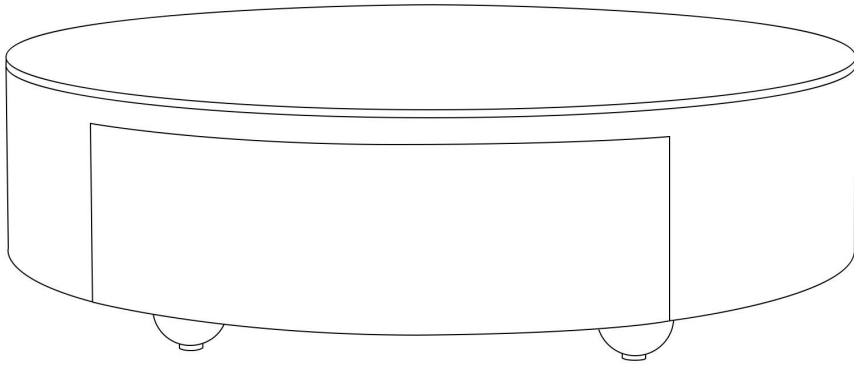
Spare parts		X2
-------------	---	----

1



① 16PCS





Assembly Completed