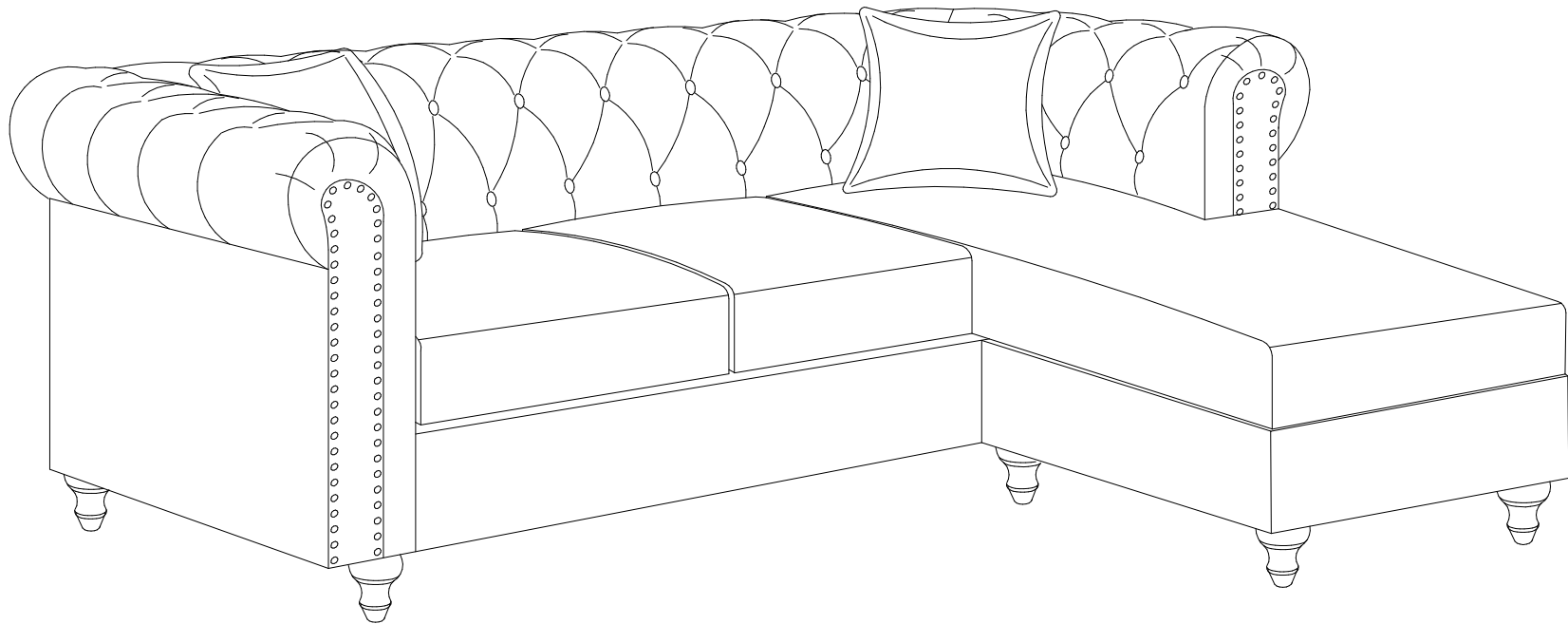


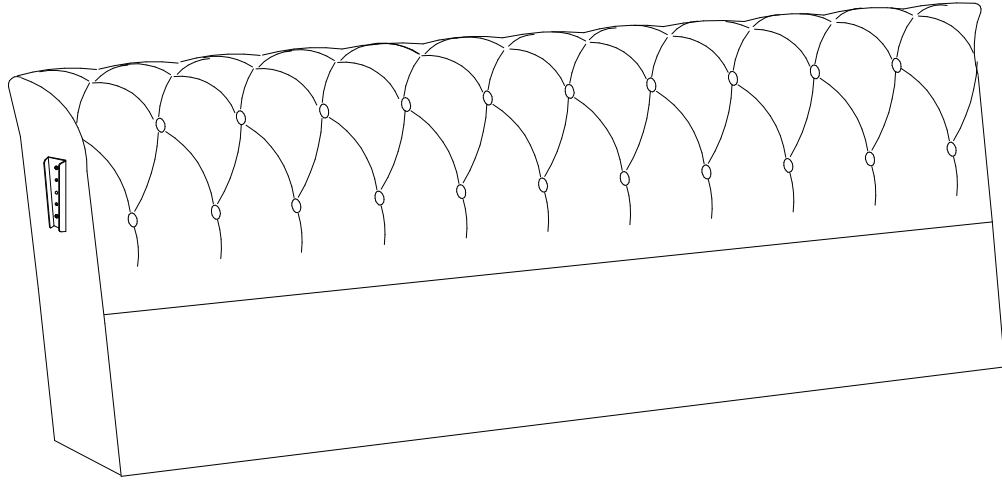
Attention:
Two people are required for assembly and lifting unit.

ASSEMBLY INSTRUCTION



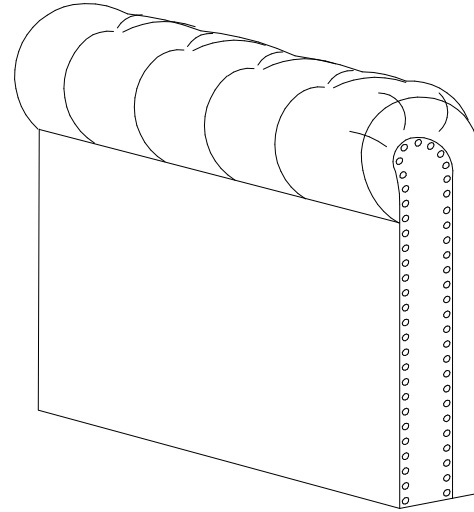
ASSEMBLY PART

1.



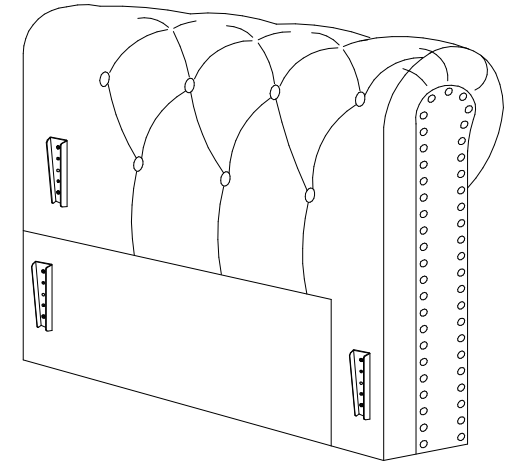
BACK REST (1PC)

2.



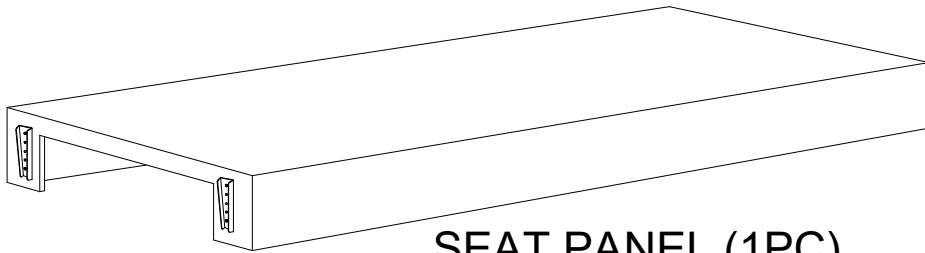
LEFT ARM (1PC)

3.



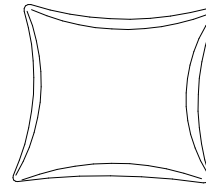
RIGHT ARM (1PC)

4.



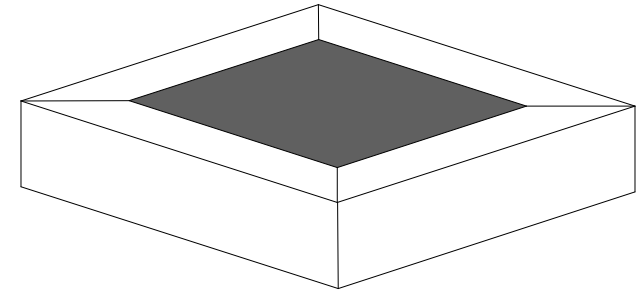
SEAT PANEL (1PC)

5.



PILLOW (2PCS)

6.



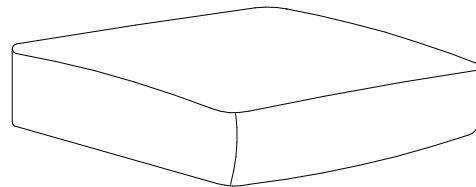
CHAISE BASE (1)

7.



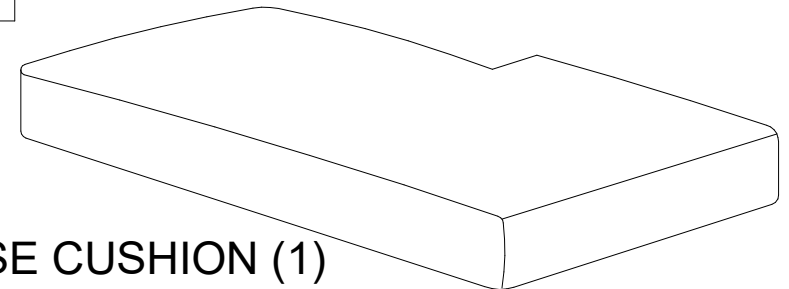
LEG (8PCS)

8.



SEAT CUSHION (2PCS)

9.

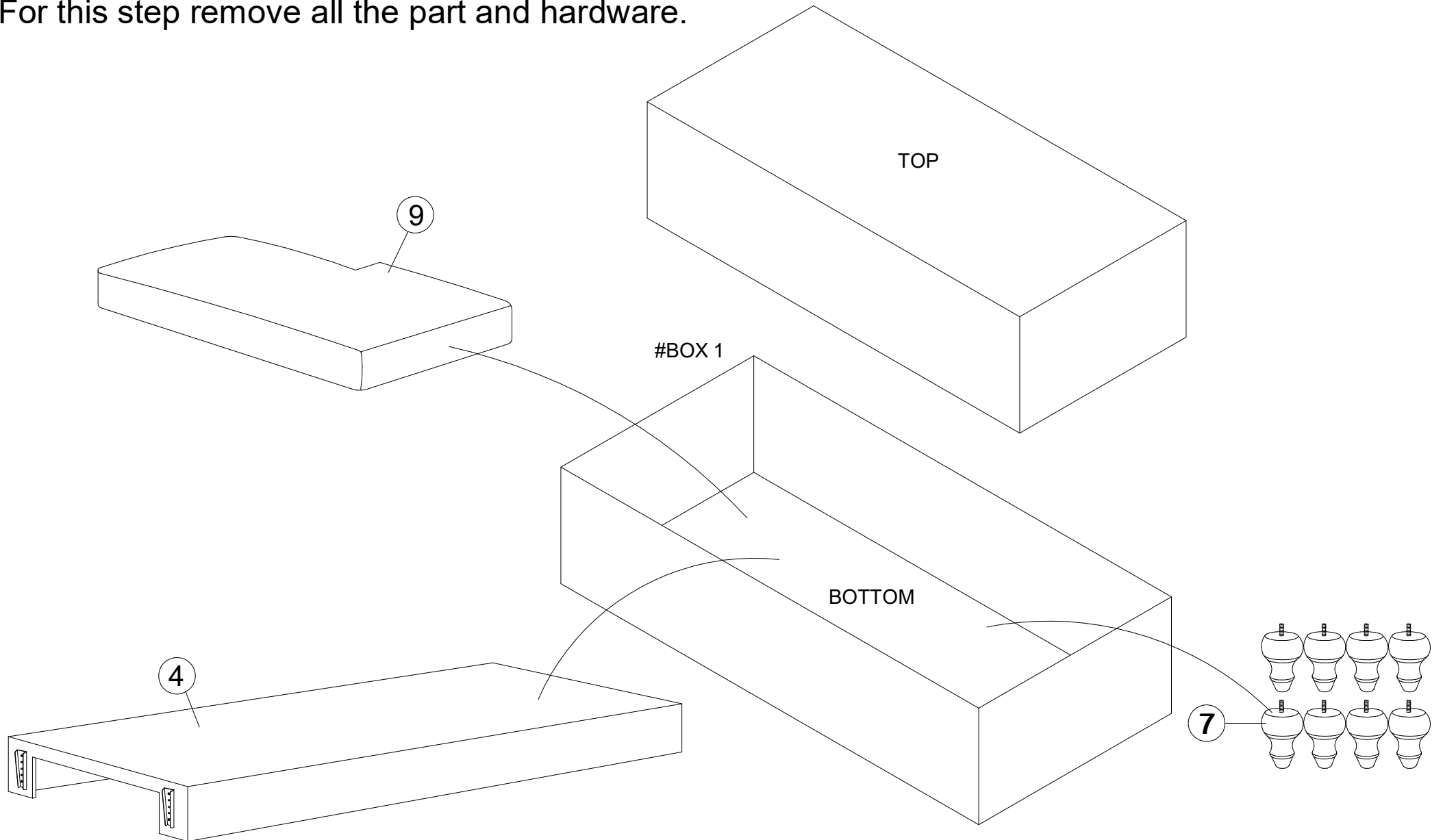


CHAISE CUSHION (1)

ASSEMBLY INSTRUCTION

STEP 1.

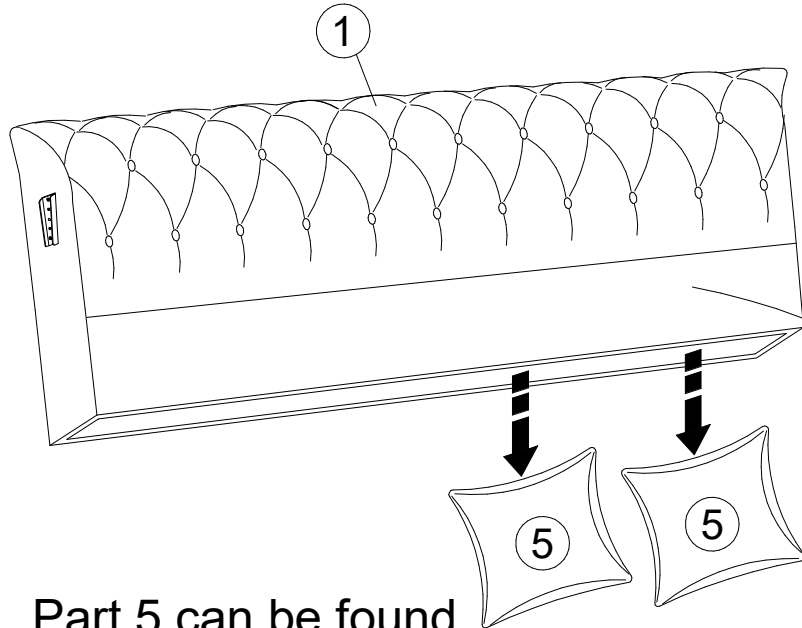
For this step remove all the part and hardware.



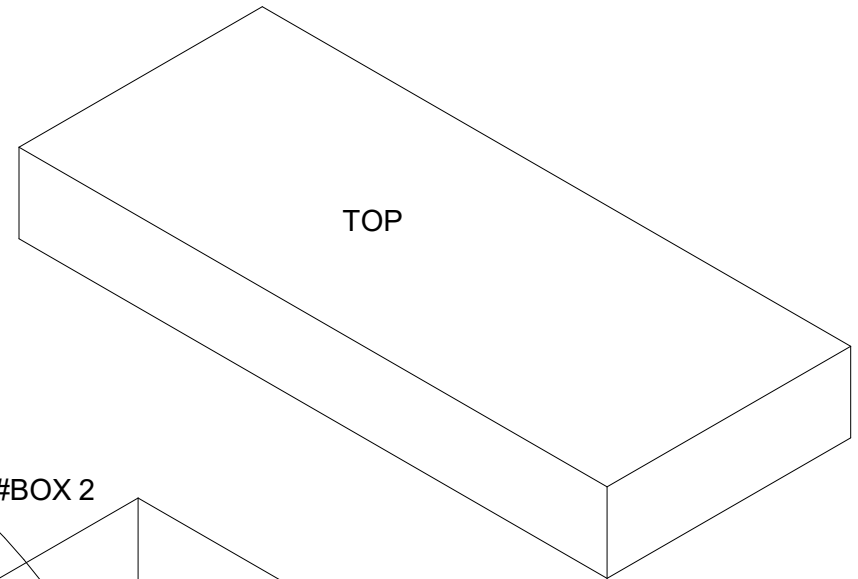
ASSEMBLY INSTRUCTION

STEP 2.

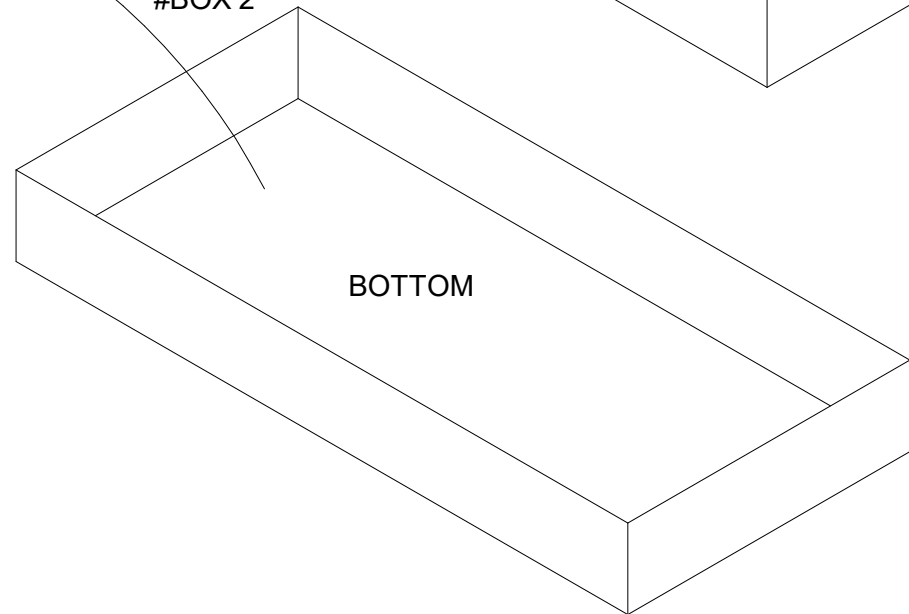
For this step remove all the part.



Part 5 can be found
on the bottom of Back Rest (1)



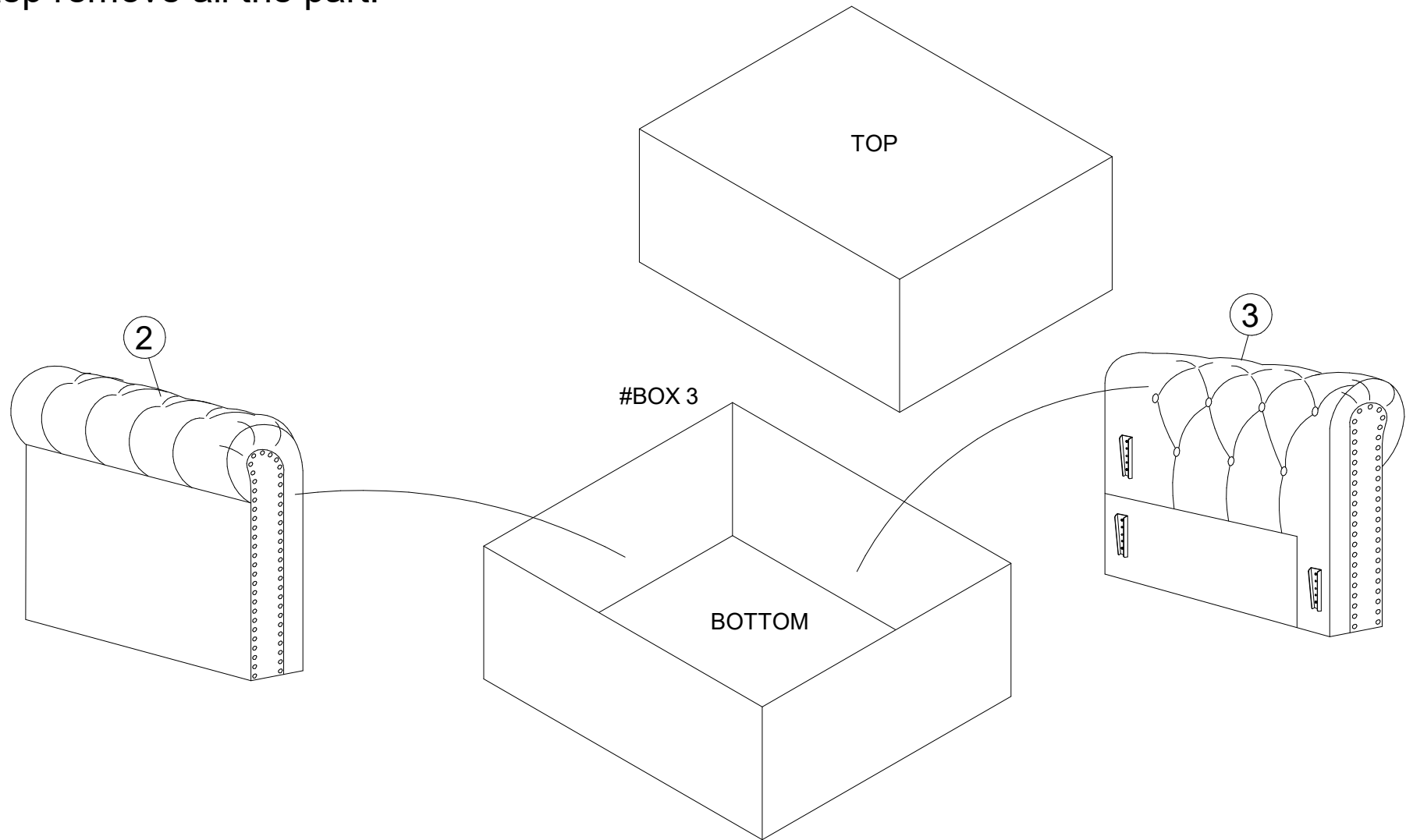
#BOX 2



ASSEMBLY INSTRUCTION

STEP 3.

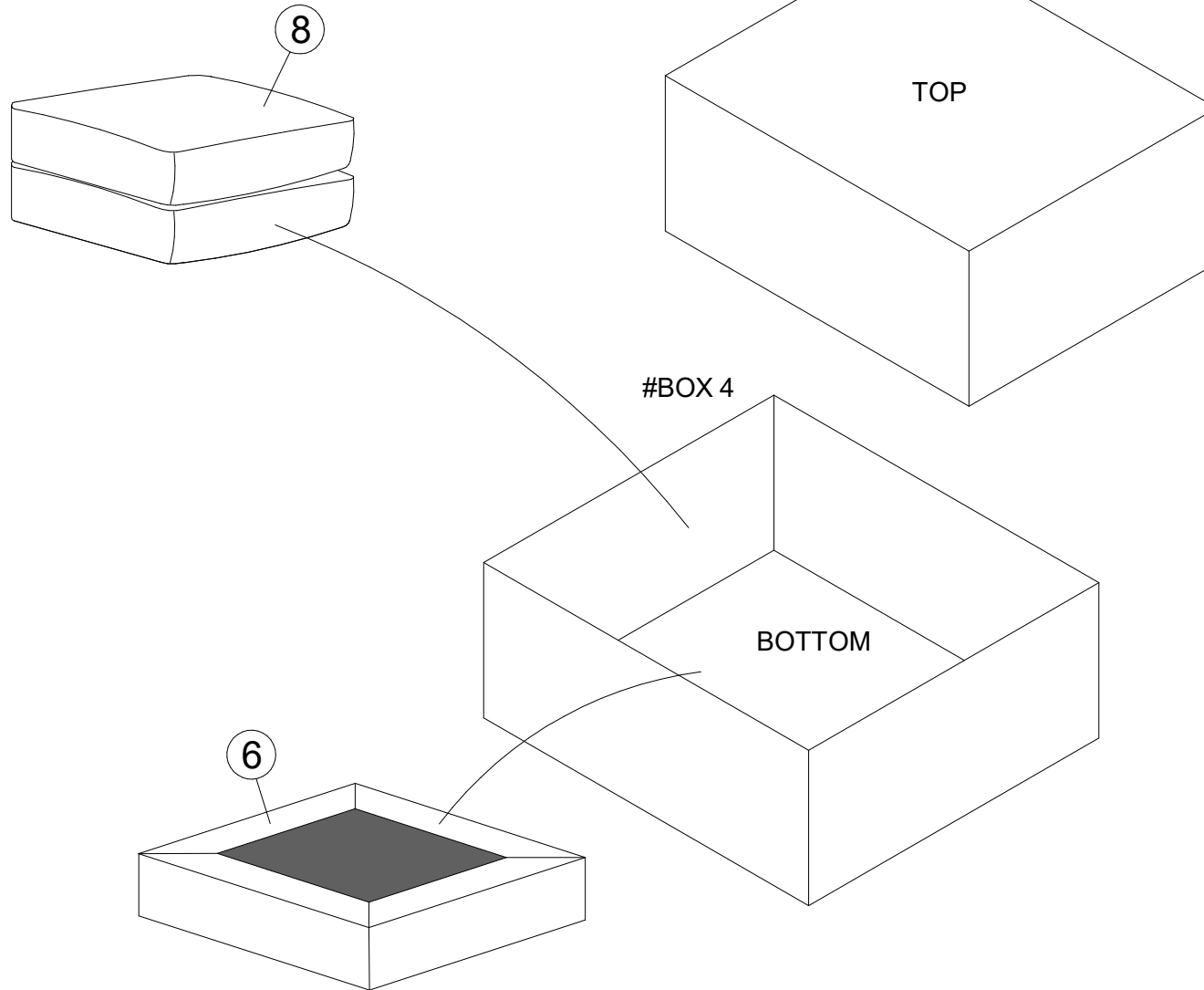
For this step remove all the part.



ASSEMBLY INSTRUCTION

STEP 4.

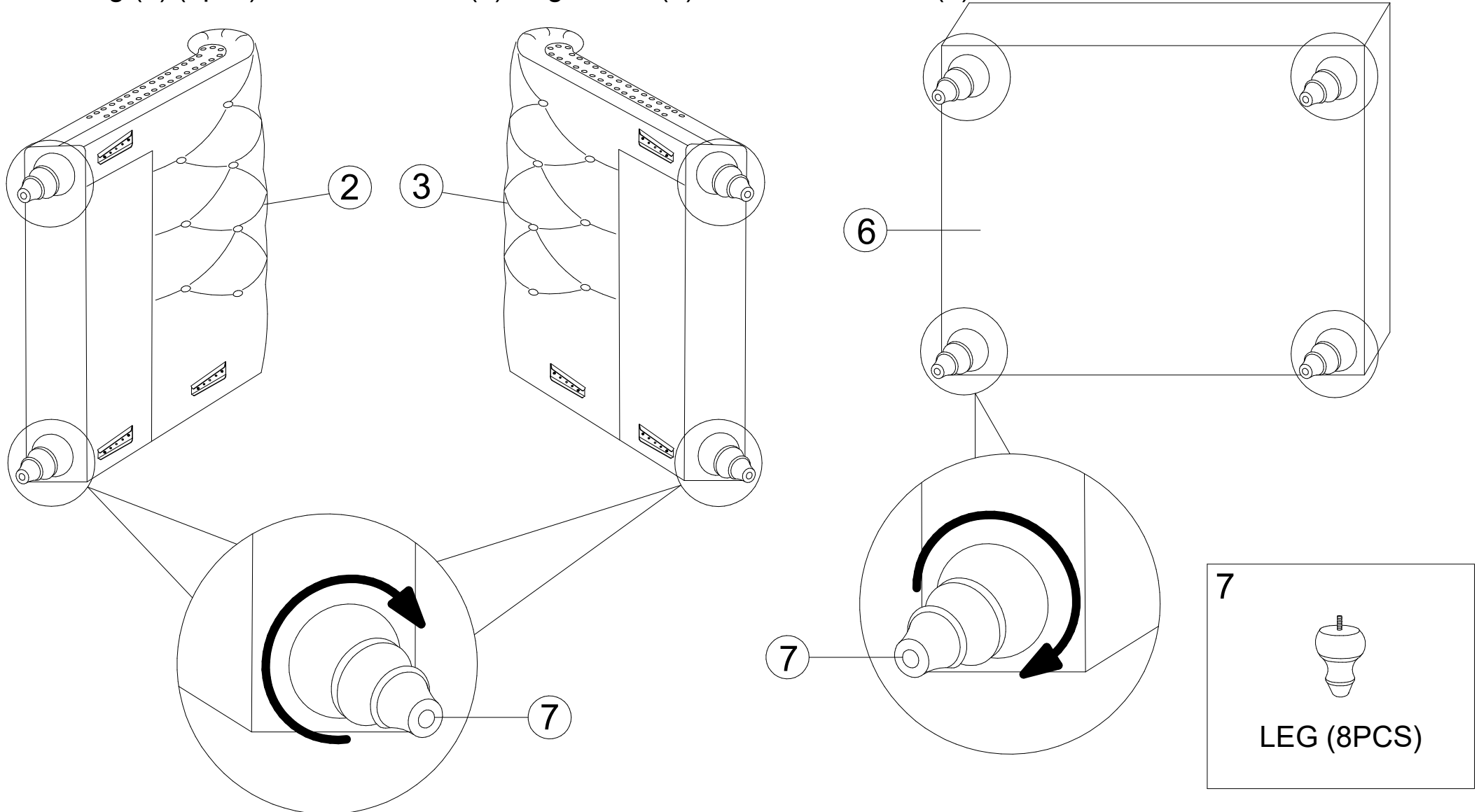
For this step remove all the part.



ASSEMBLY INSTRUCTION

STEP 5

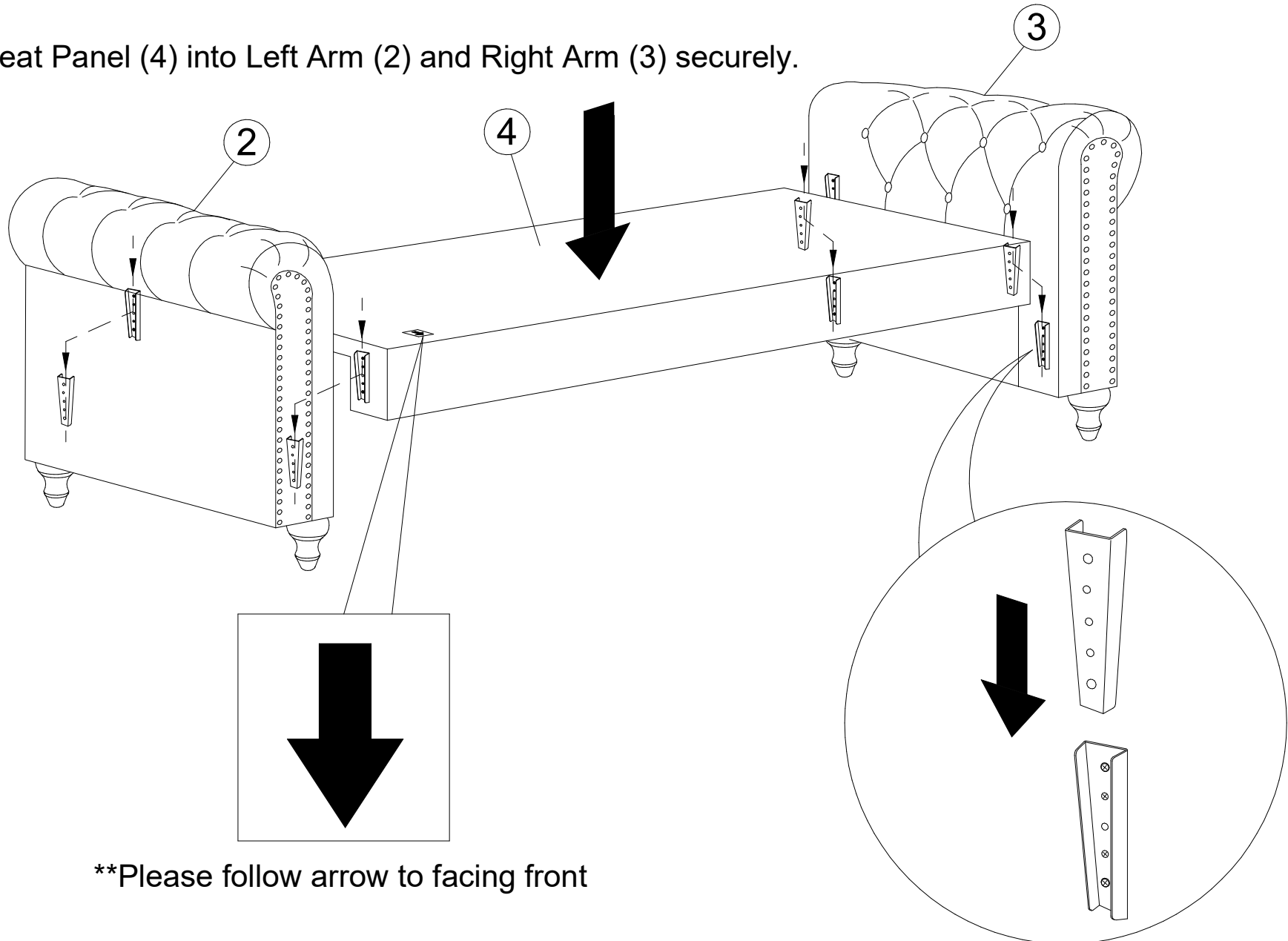
Attach Leg (7) (8pcs) to the Left Arm (2), Right Arm (3) and Chaise Base (6).



ASSEMBLY INSTRUCTION

STEP 6.

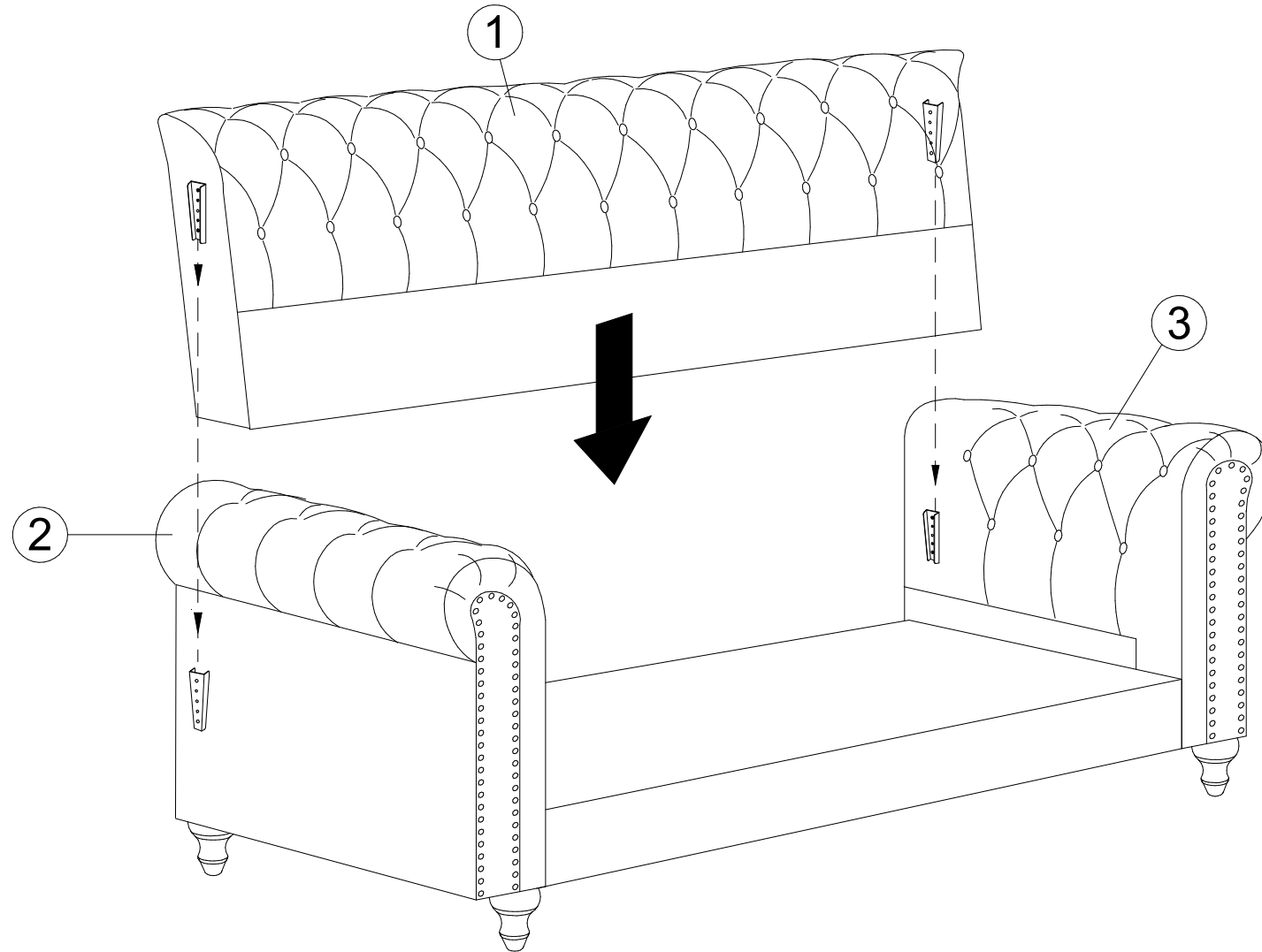
Hook on the Seat Panel (4) into Left Arm (2) and Right Arm (3) securely.



ASSEMBLY INSTRUCTION

STEP 7.

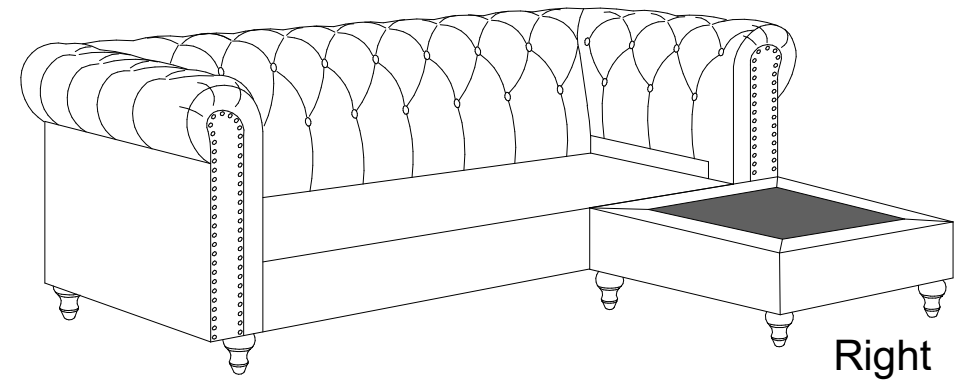
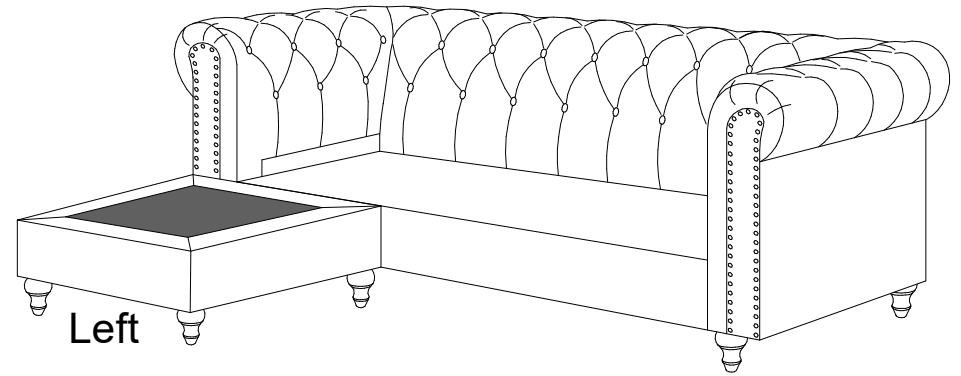
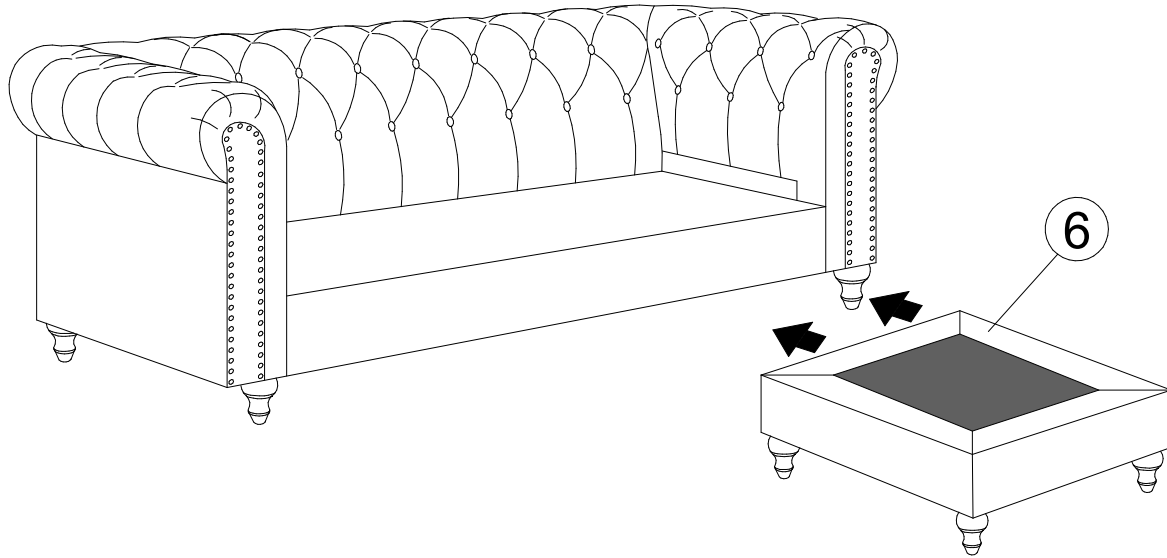
Hook on the Back Rest (1) into Left Arm (2) and Right Arm (3) securely.



ASSEMBLY INSTRUCTION

STEP 8.

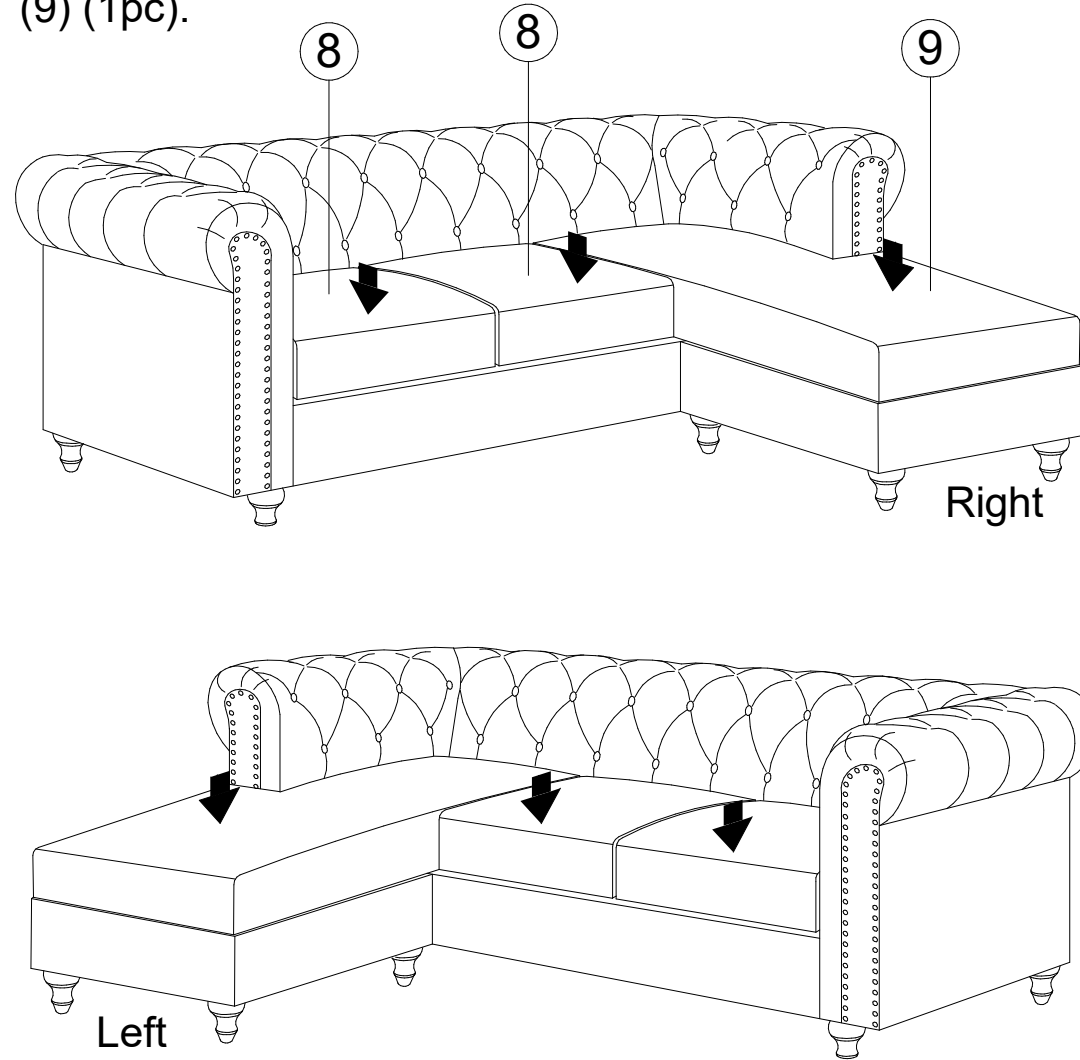
Combine the Chaise Base (6) with the sofa unit left or right.



ASSEMBLY INSTRUCTION

STEP 9.

Attach the Seat Cushion (8) (2pcs) and Chaise Cushion (9) (1pc).



STEP 10.

Lay Pillows (5) (2pcs).

