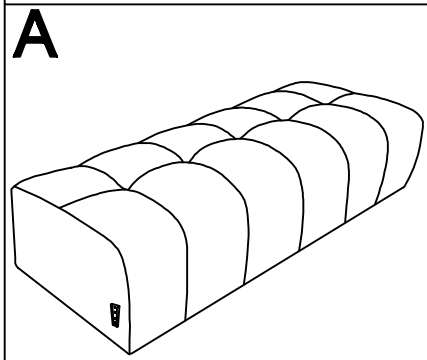
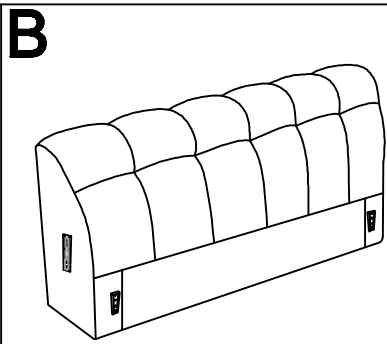


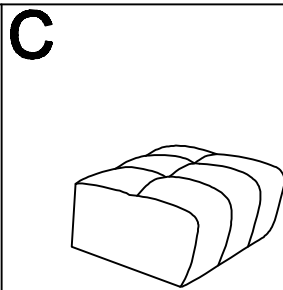
# ASSEMBLY INSTRUCTION



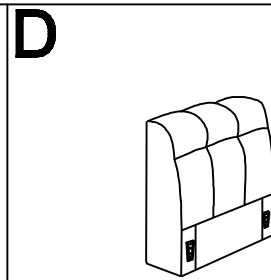
X1



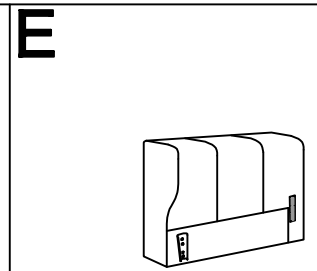
X1



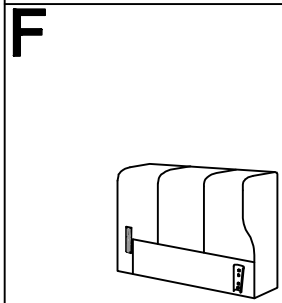
X1



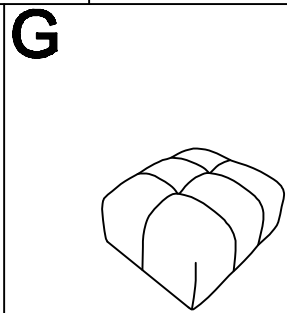
X1



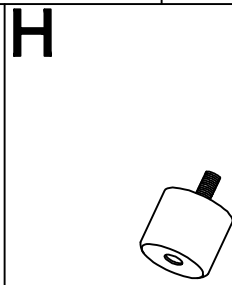
X1



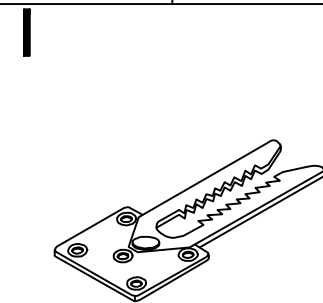
X1



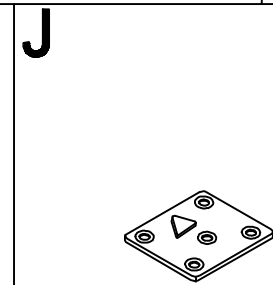
X1



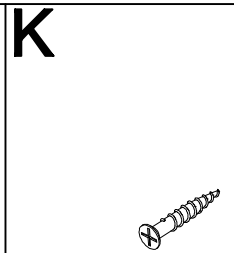
X20



X1

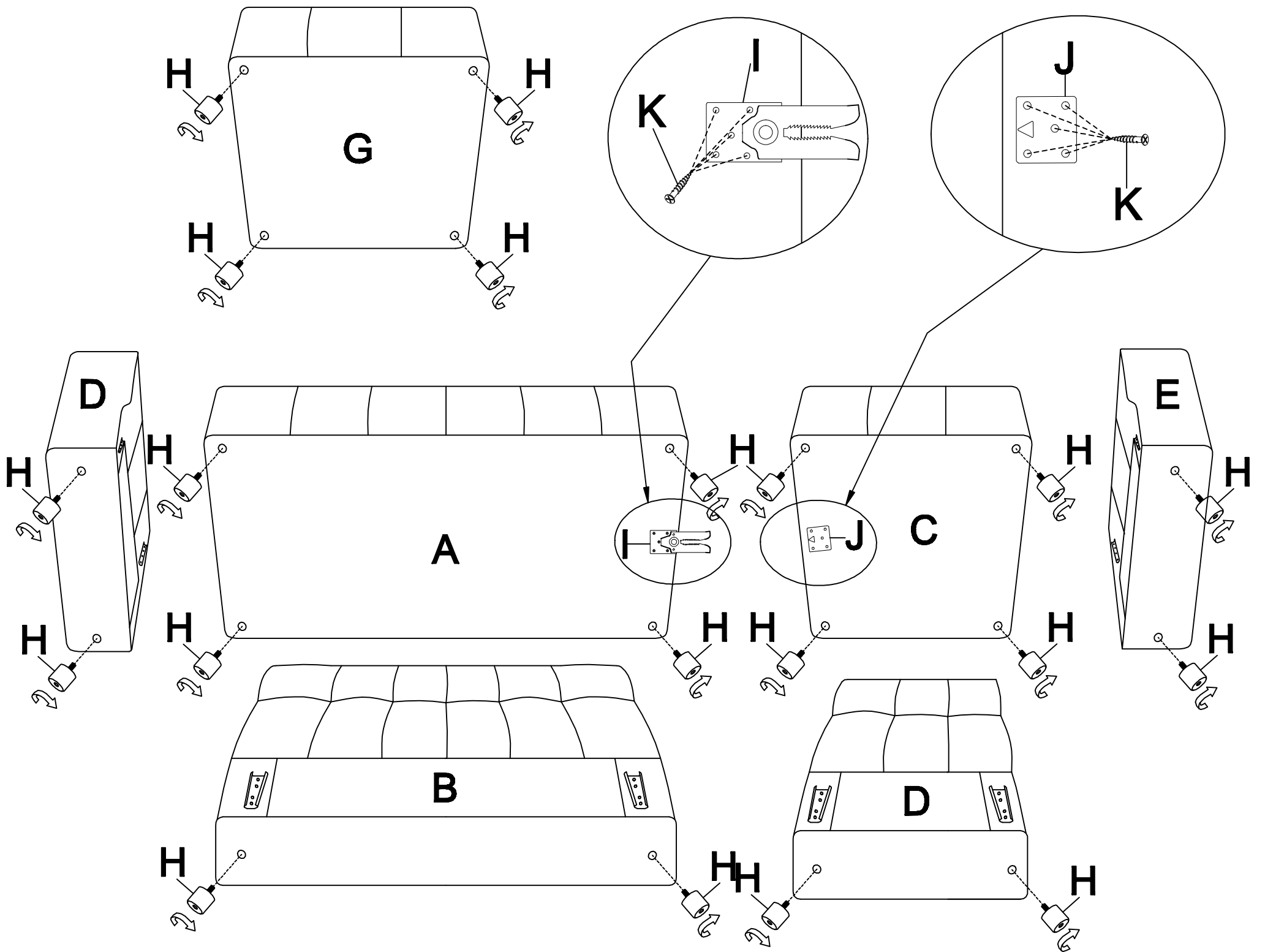


X1

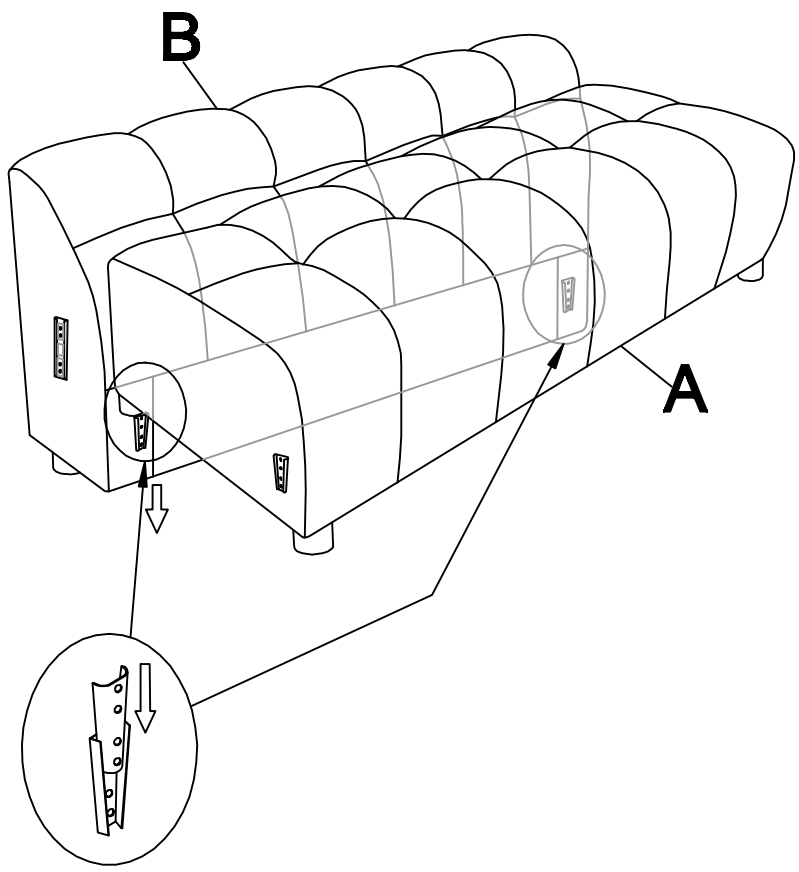


X10

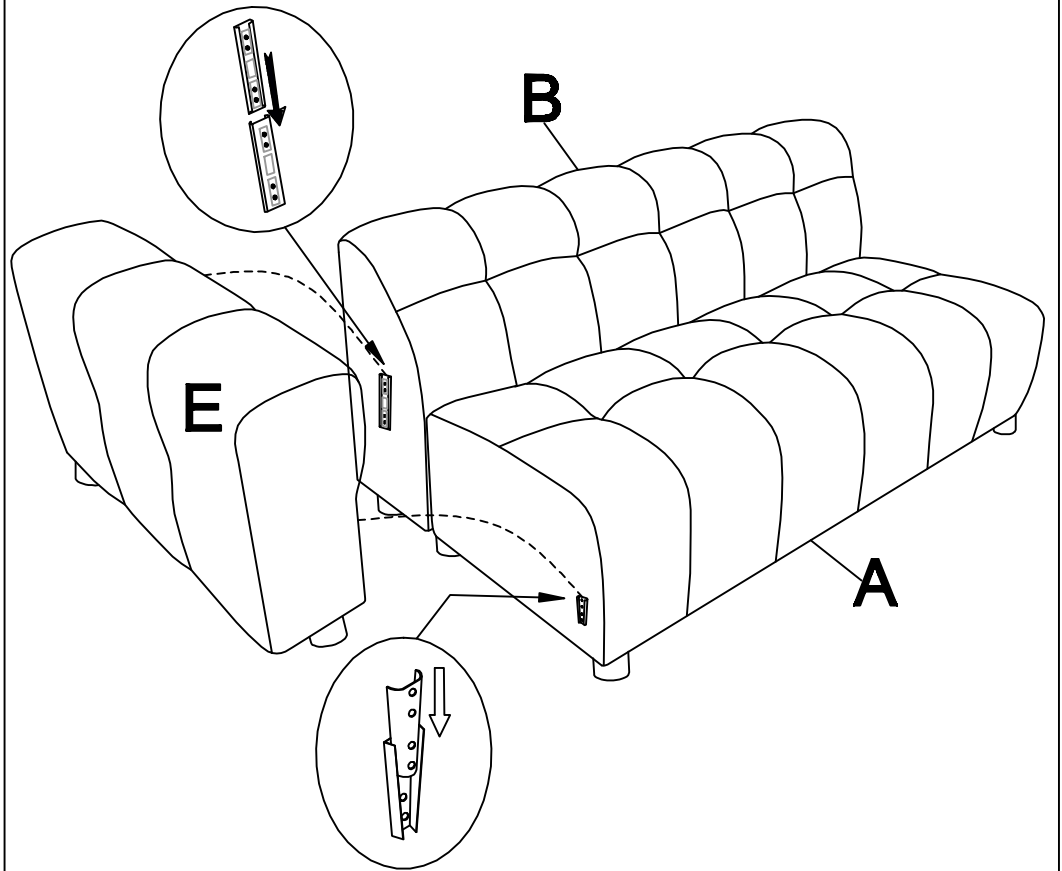
## Step 1:



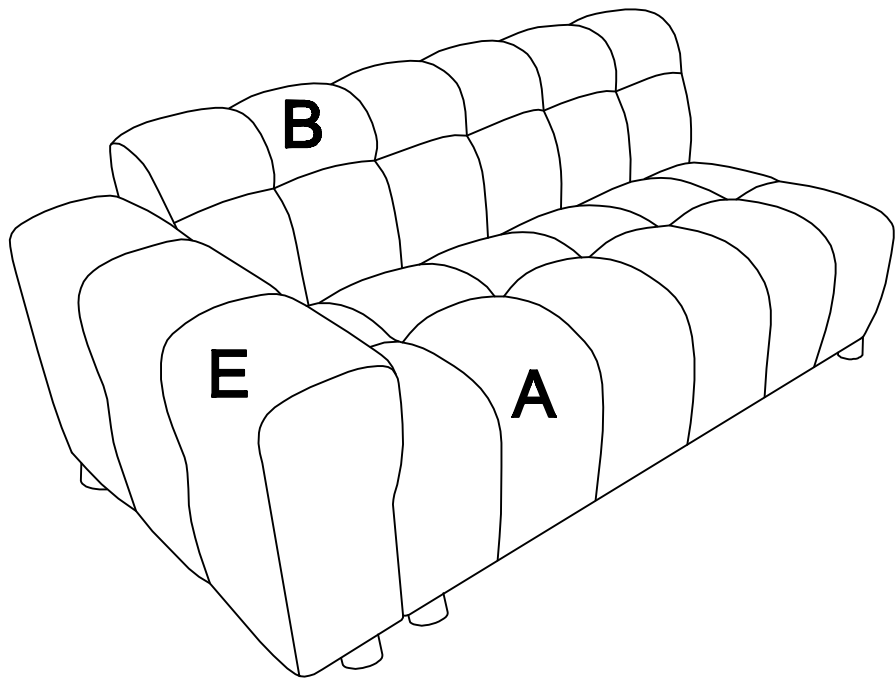
**Step 2:**



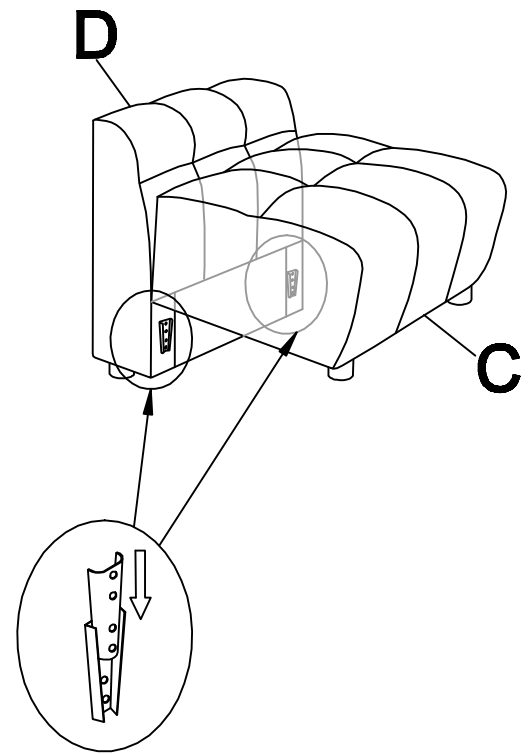
**Step 3:**



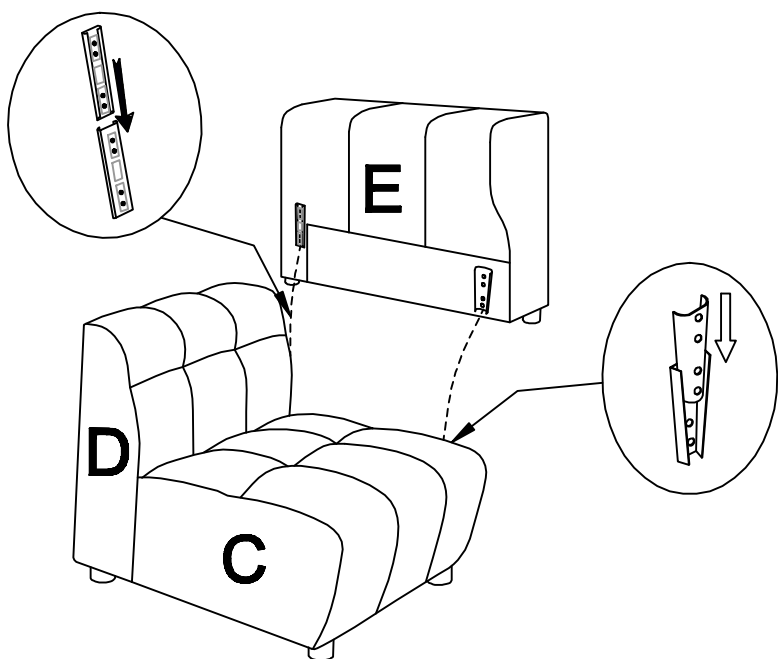
**Step 4:**



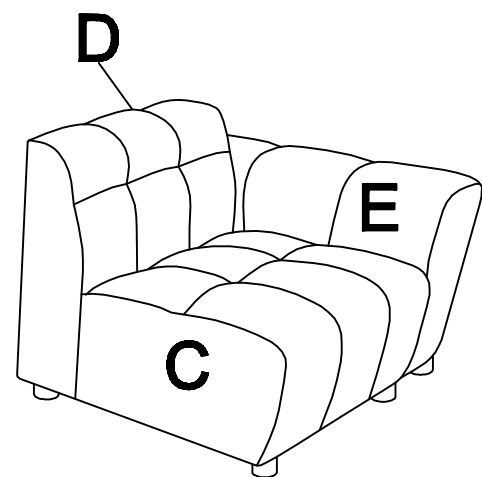
**Step 5:**



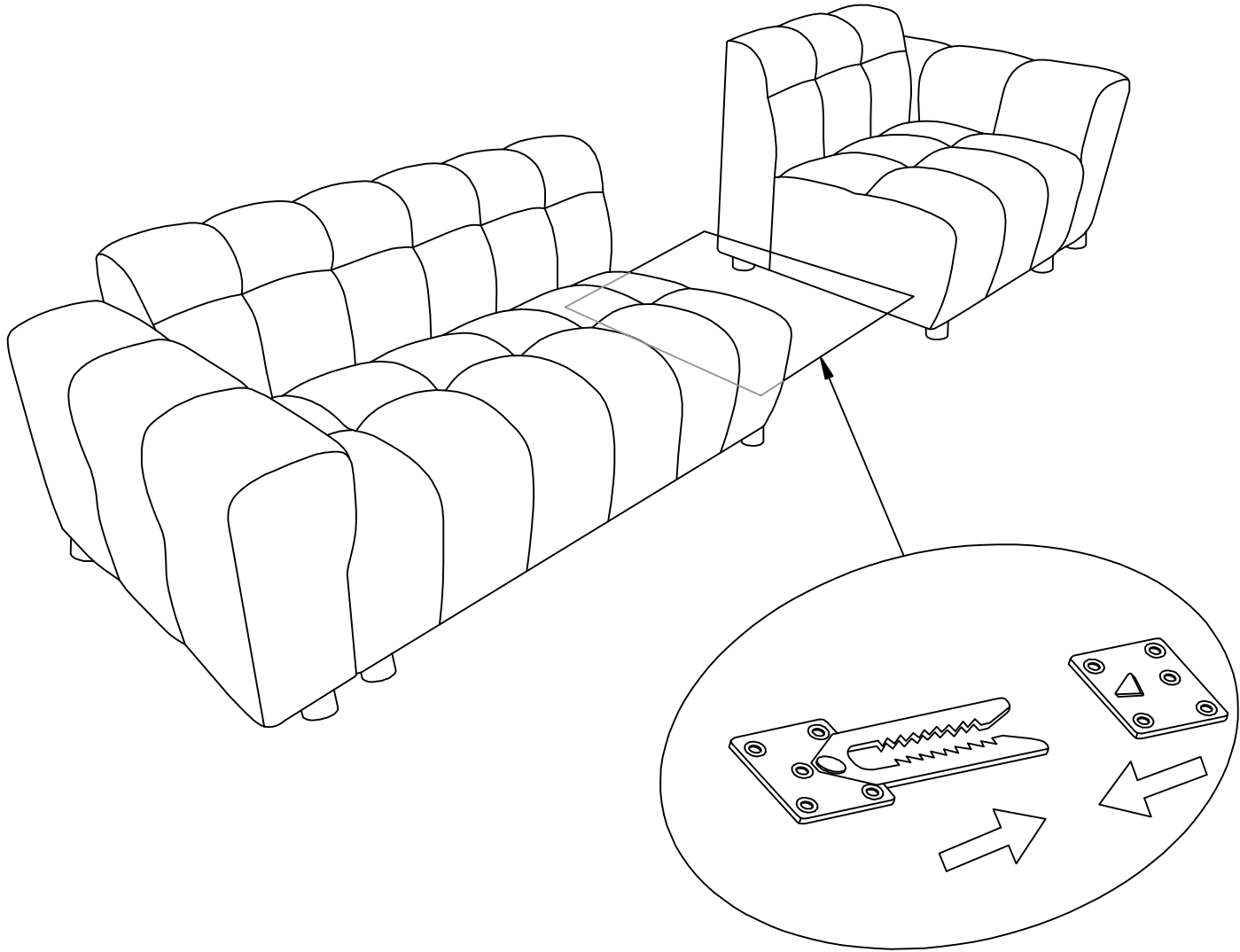
**Step 6:**



**Step 7:**



**Step 8:**



**Step 9:**

