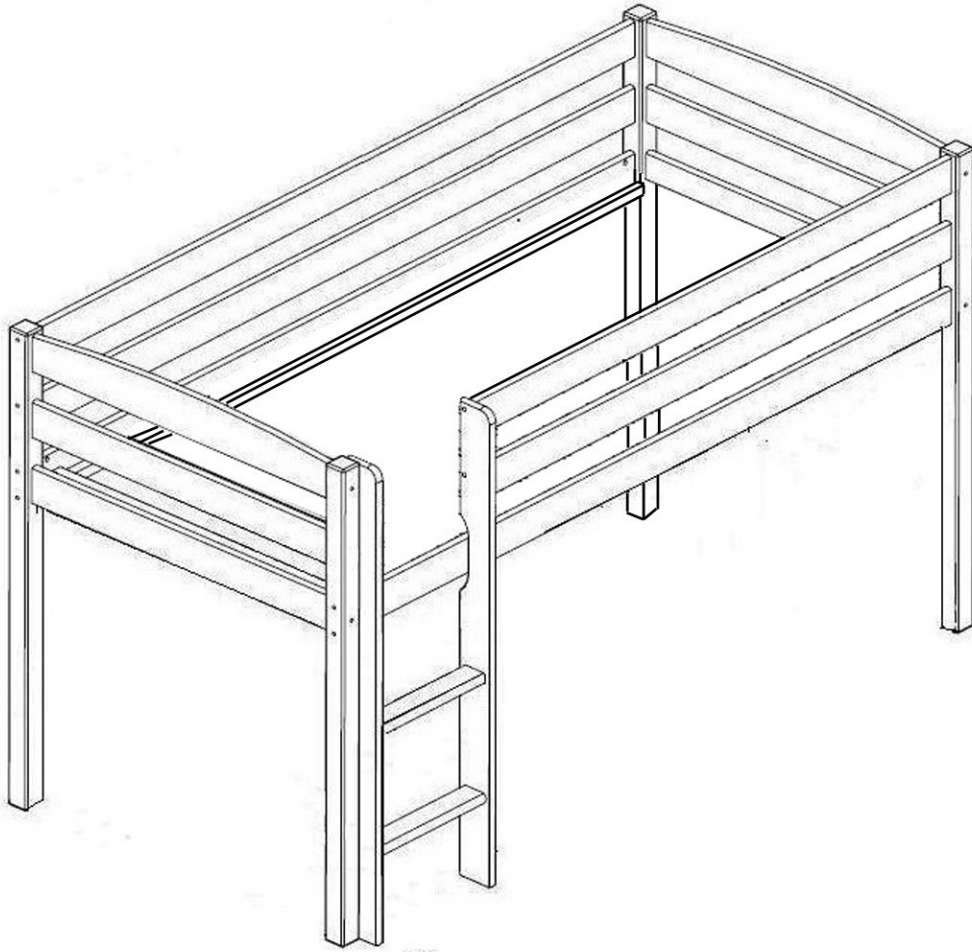
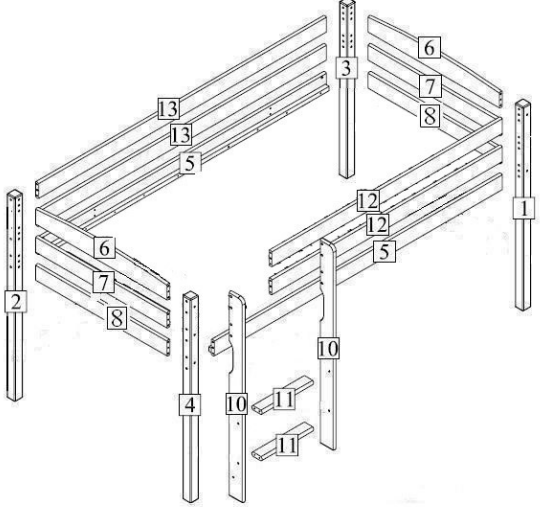
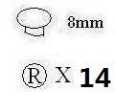
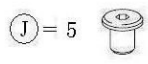
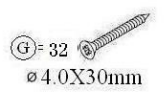
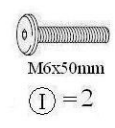
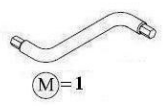
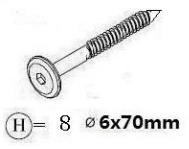
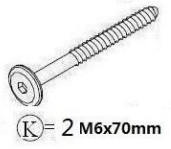
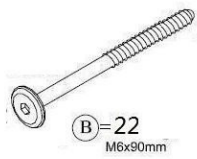
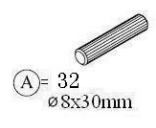
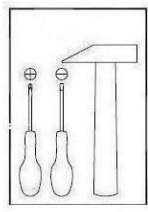


200*90cm

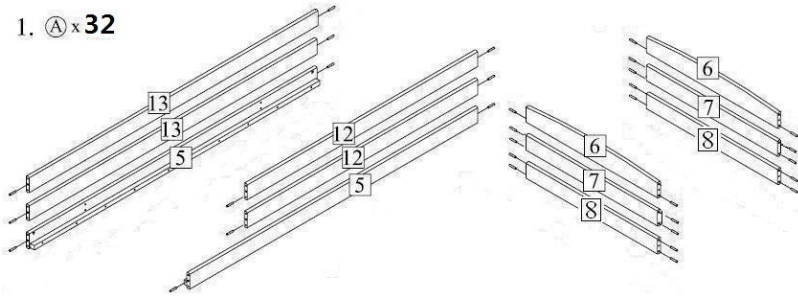




- 1=1
- 2=1
- 3=1
- 4=1
- 5=2
- 6=2
- 7=2
- 8=2
- 10=2
- 11=2
- 12=2
- 13=2



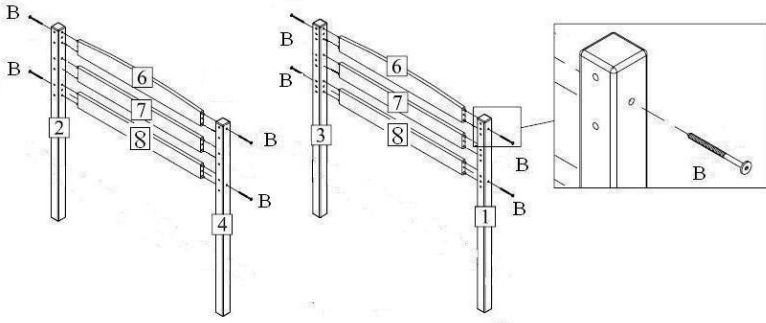
1. **A** x 32



2.

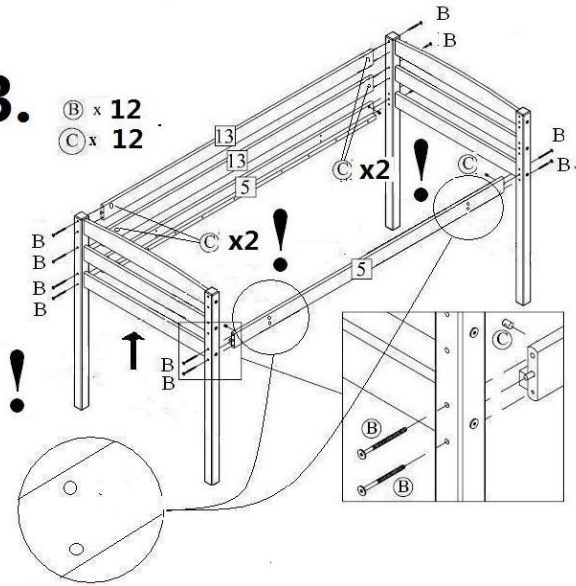
B x 8

C x 8



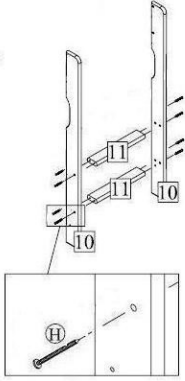
3.

B x 12
C x 12



4.

Ⓜ x 8

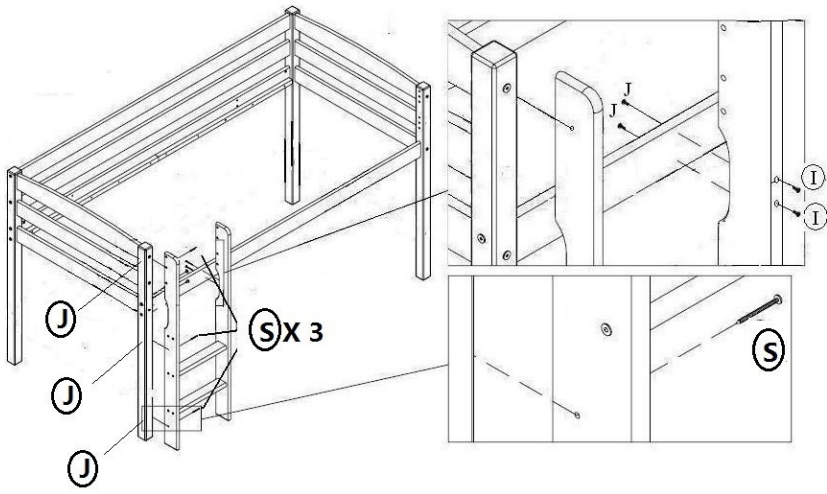


5.

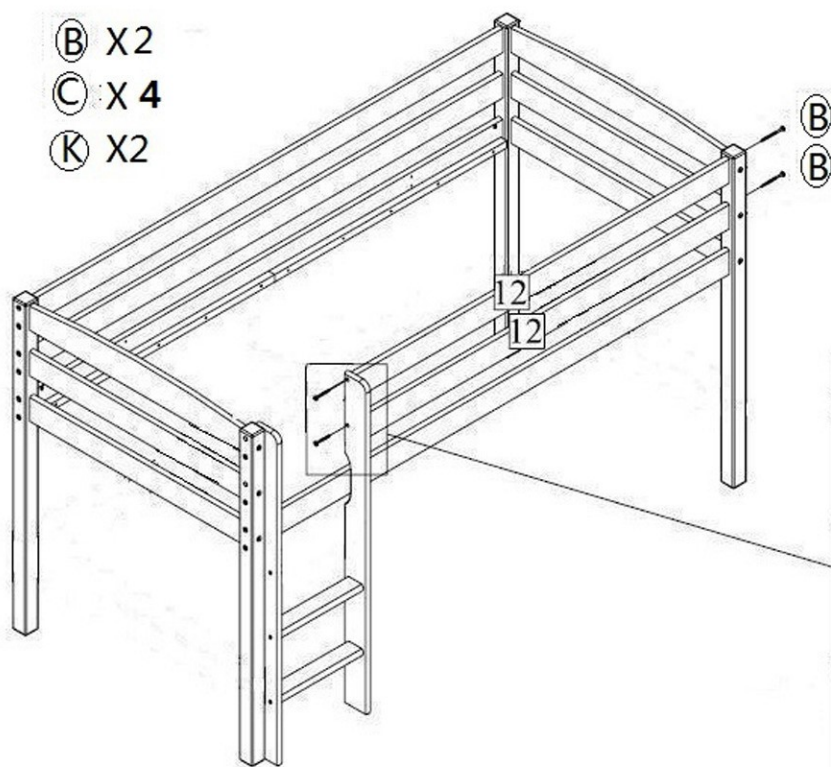
Ⓢ x 3

Ⓝ x 5

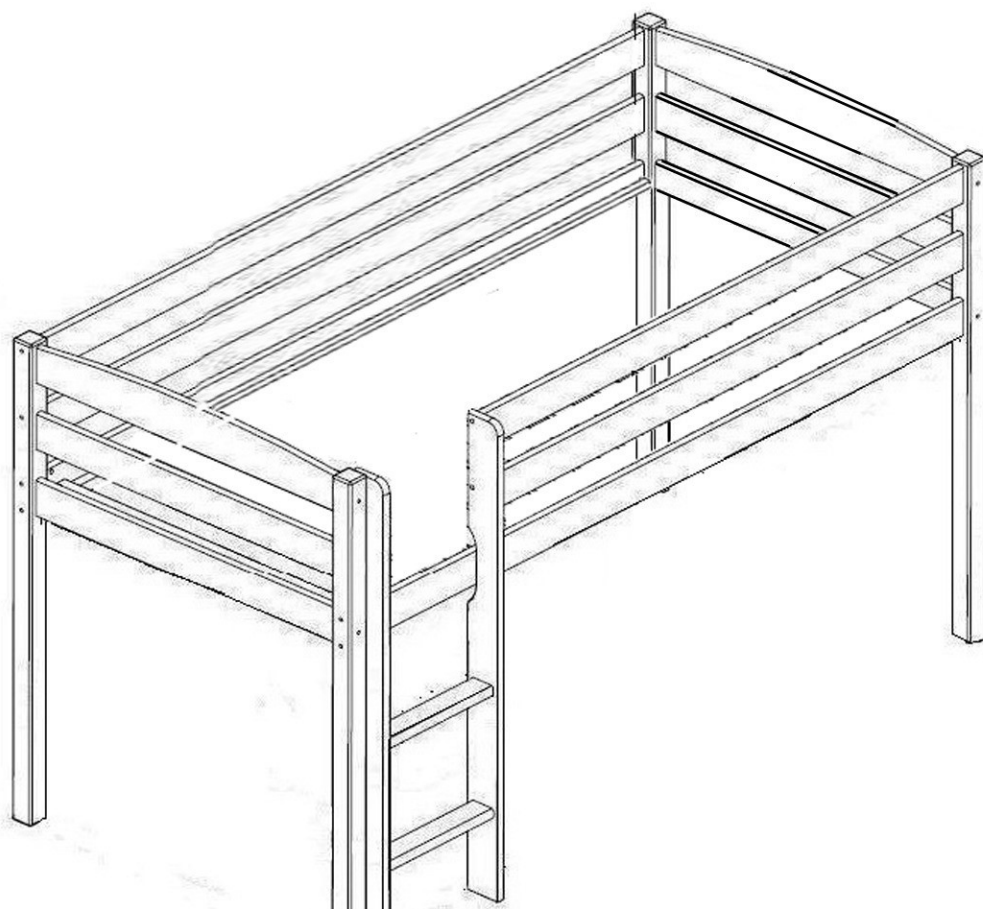
ⓓ x 2



6. (B) X2
(C) X4
(K) X2



7.



8.

