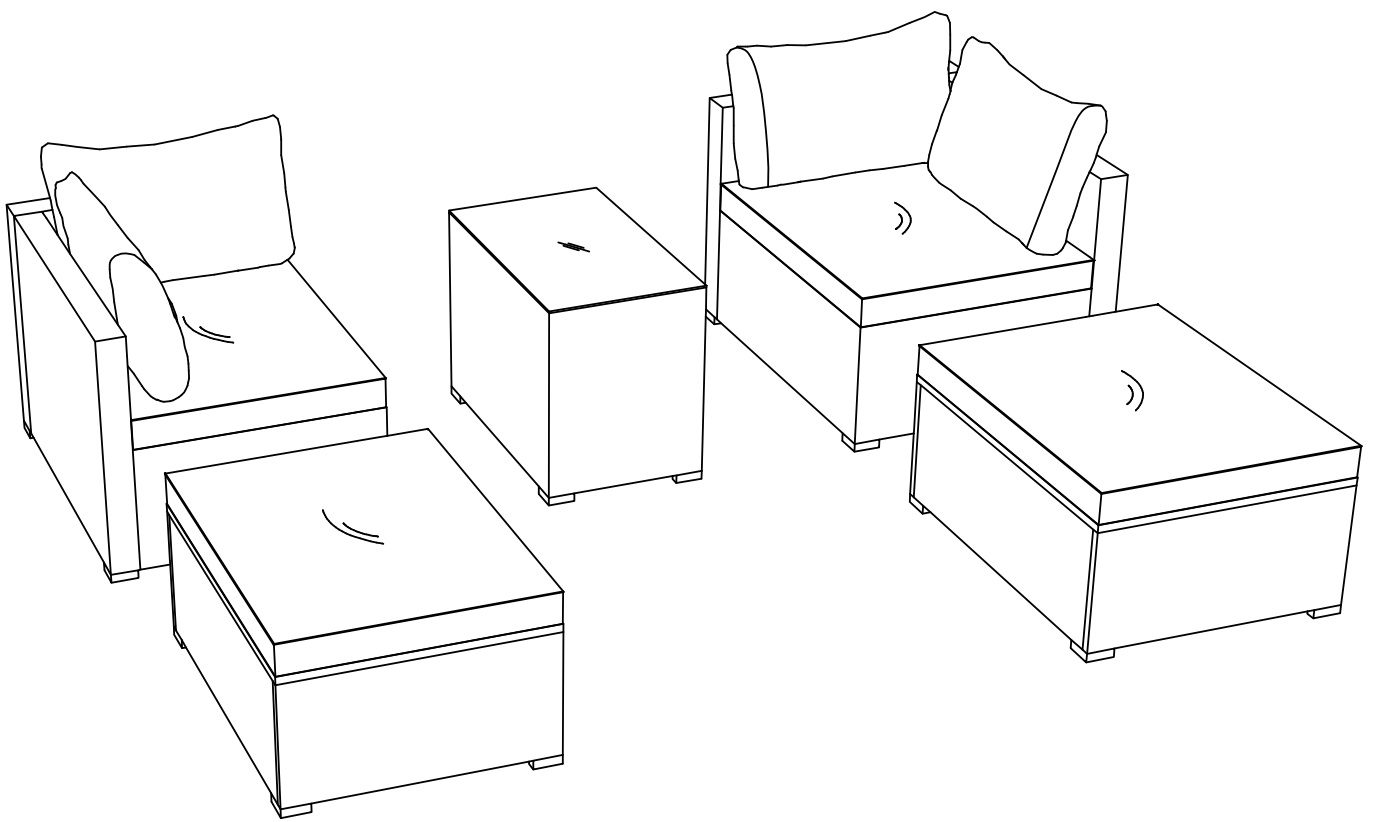
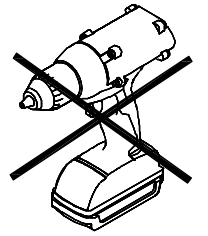
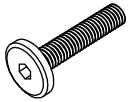


ASSEMBLY INSTRUCTION



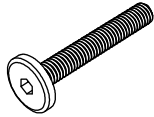


A x 64



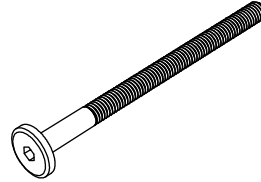
M6x30 mm

B x 18



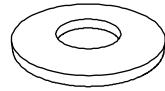
M6x40 mm

C x 2



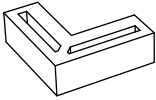
M6x110 mm

D x 44



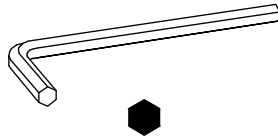
Ø14x1 mm

E x 20



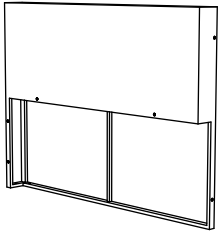
70x70x25 mm

F x 2

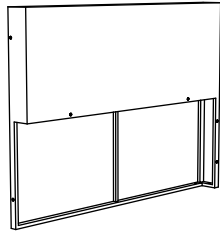


4 mm

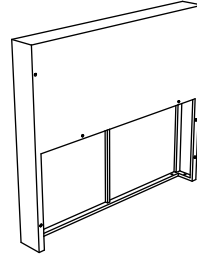
Components:



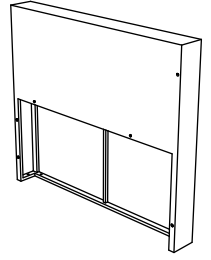
①



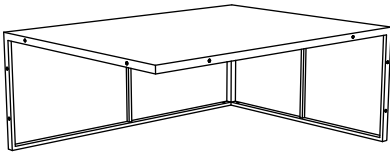
②



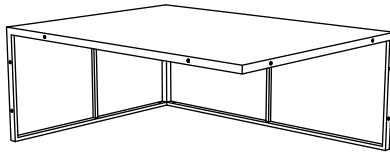
③



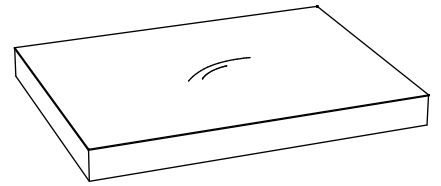
④



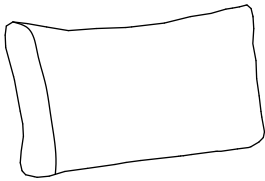
⑤



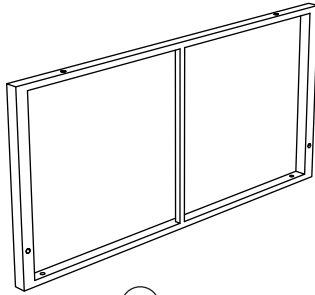
⑥



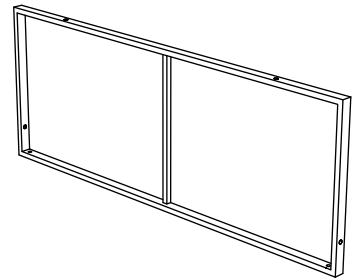
⑦ x2



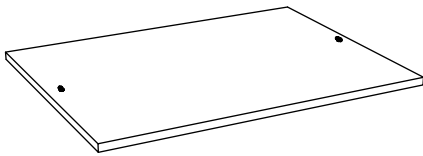
⑧ x4



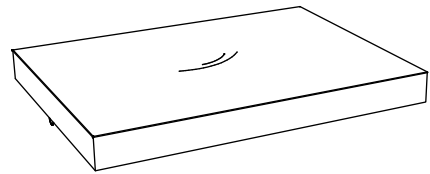
⑨ x4



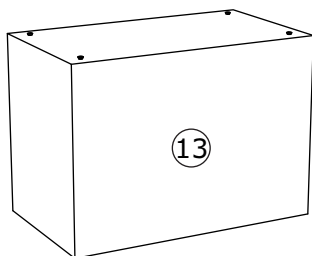
⑩ x4



⑪ x2



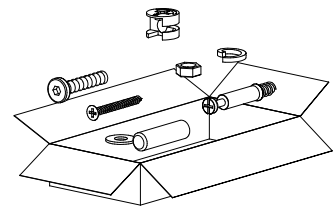
⑫ x2



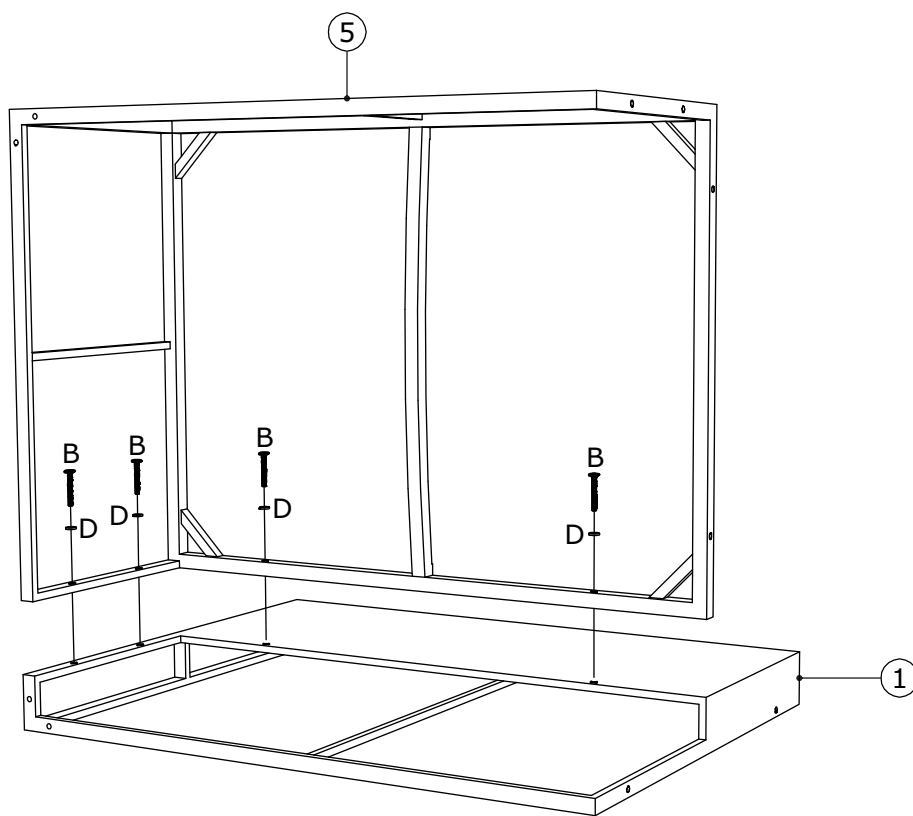
⑬



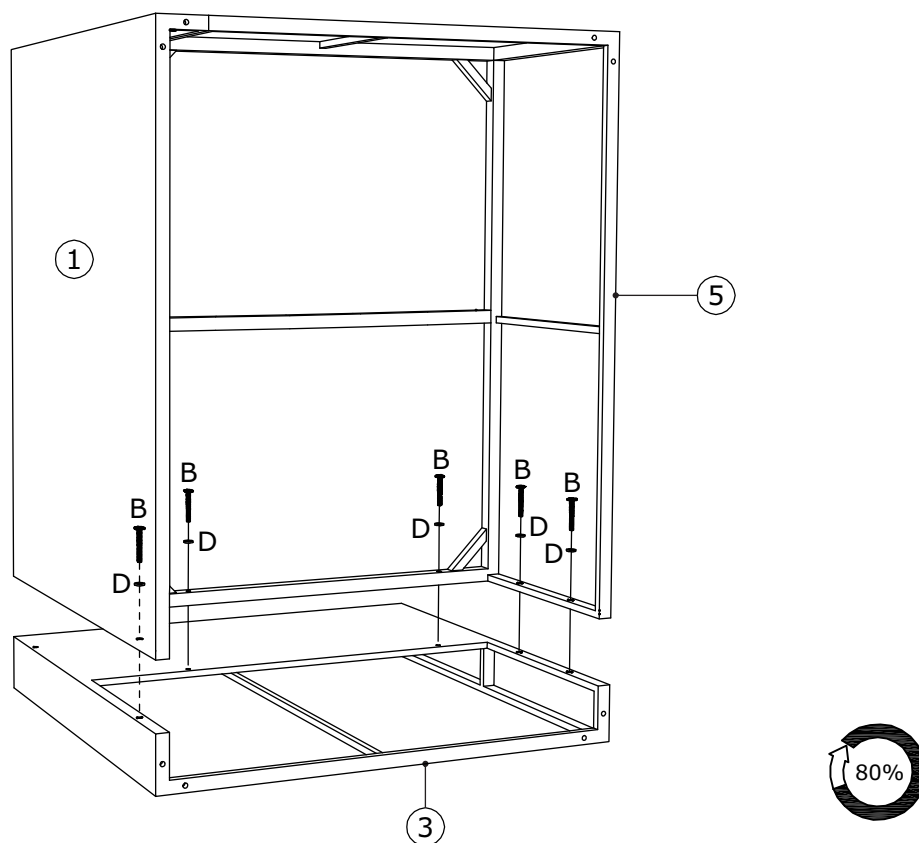
⑭



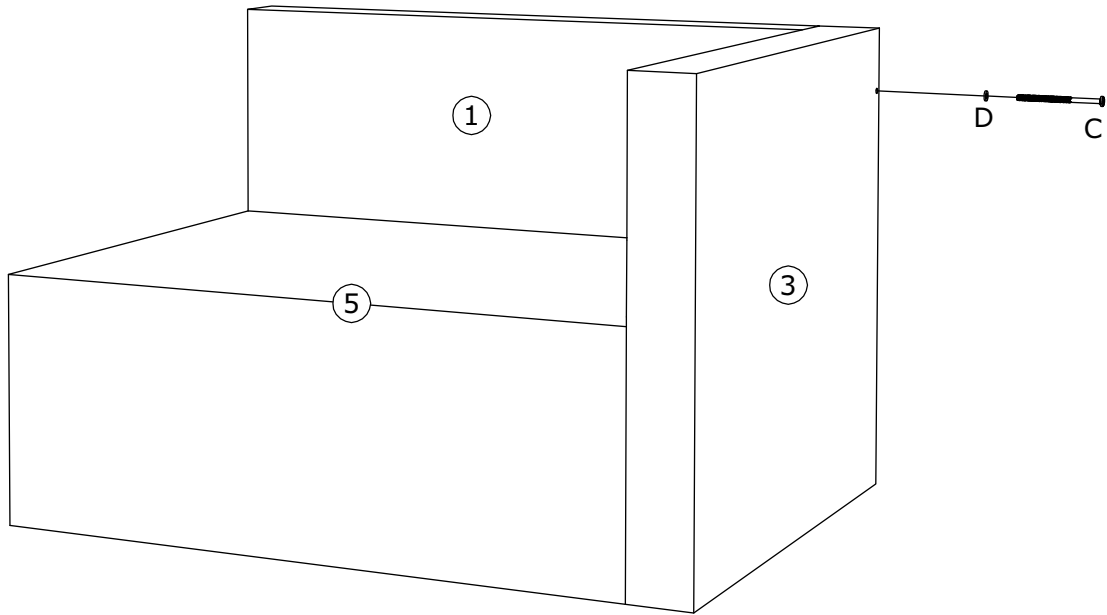
1



2

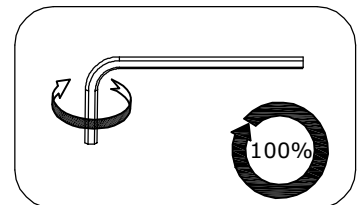
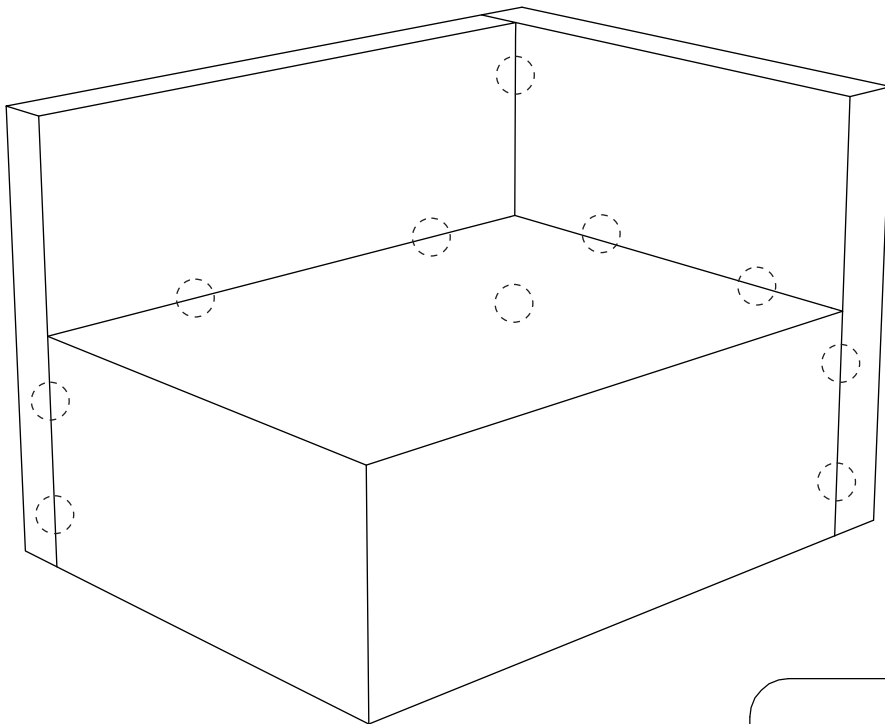


3

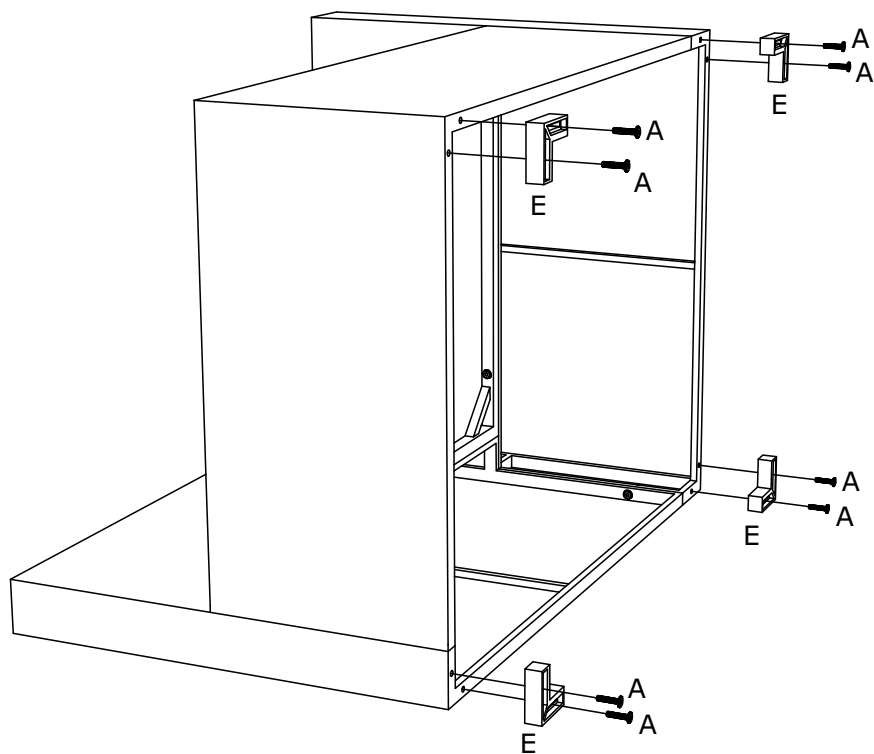


80%

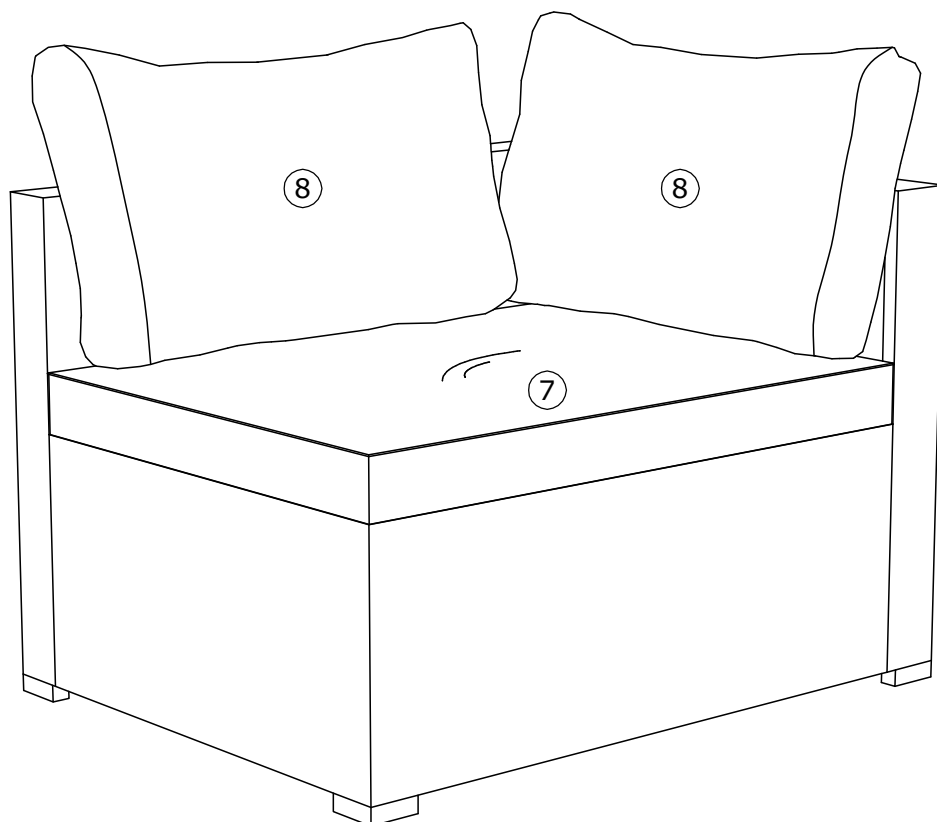
4



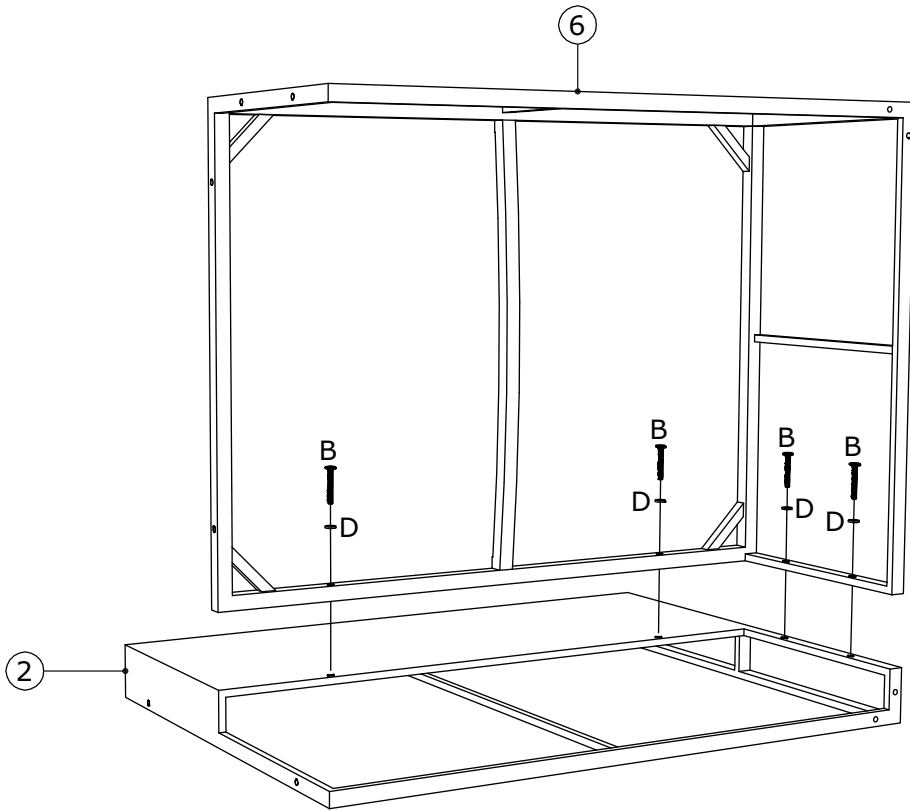
5



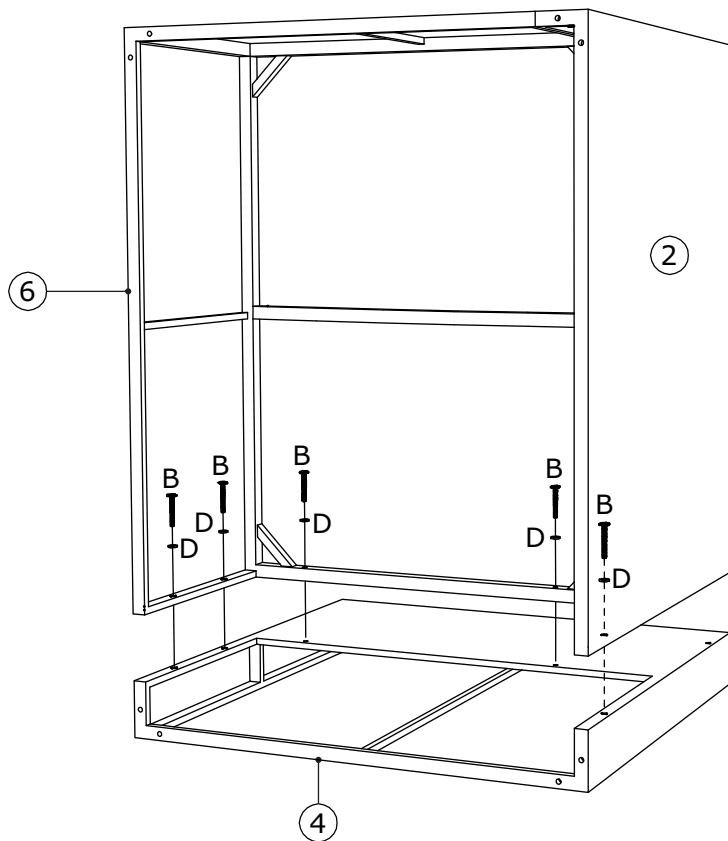
6



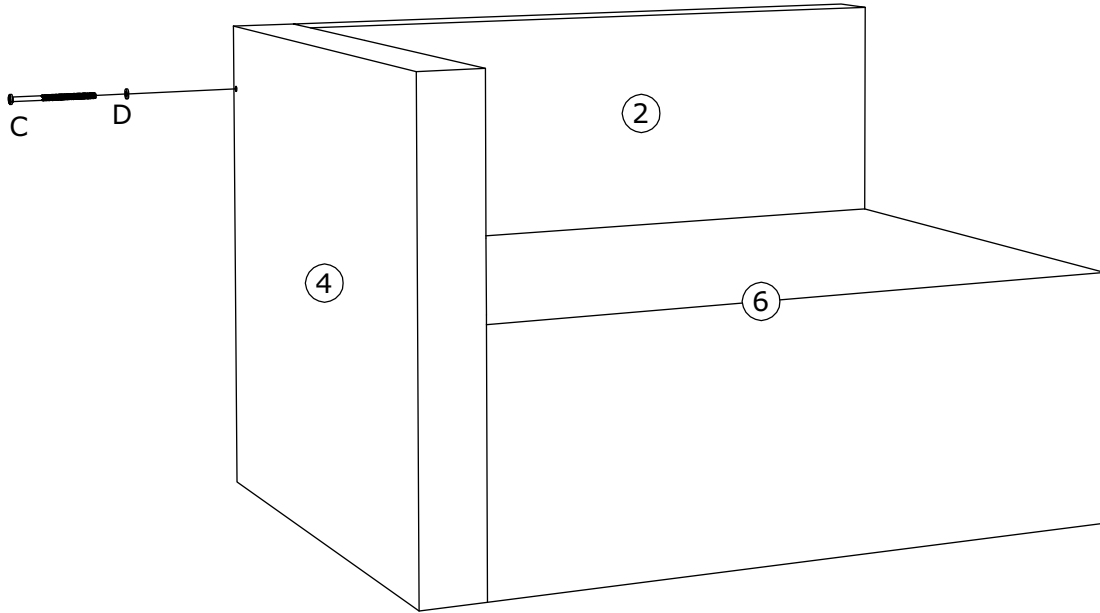
7



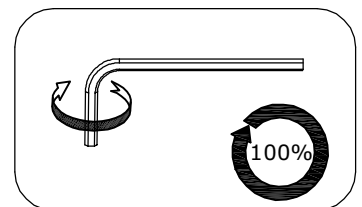
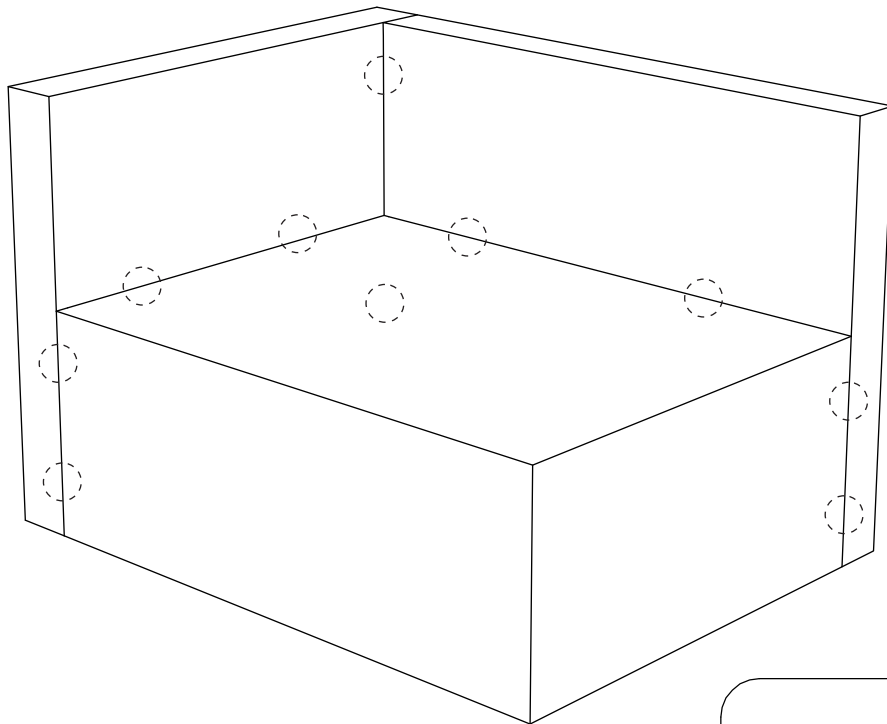
8



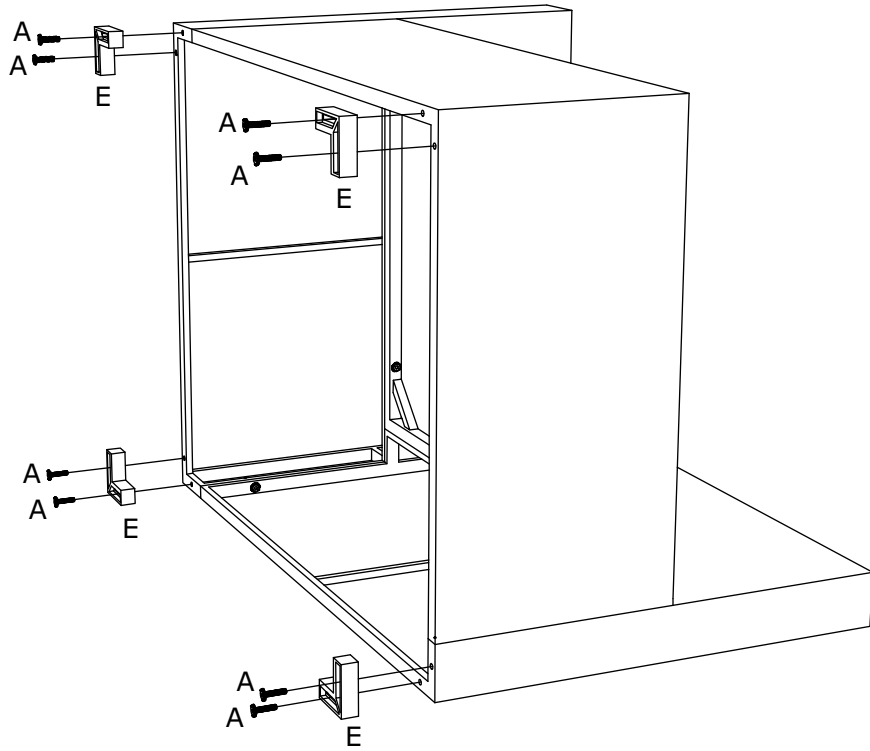
9



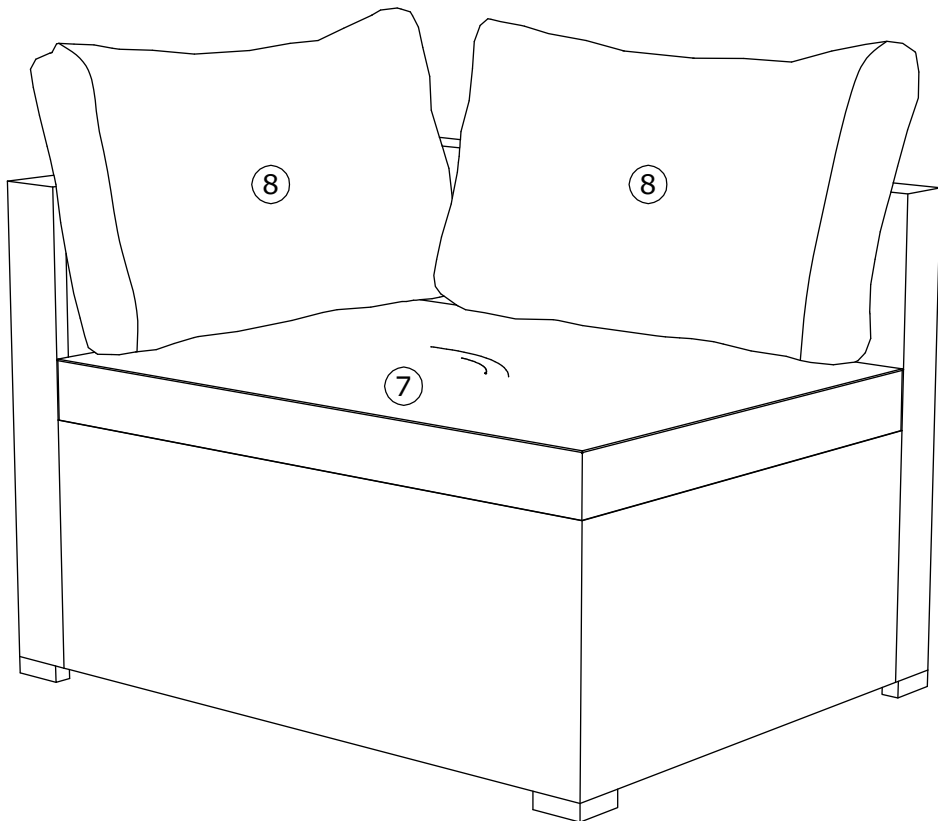
10



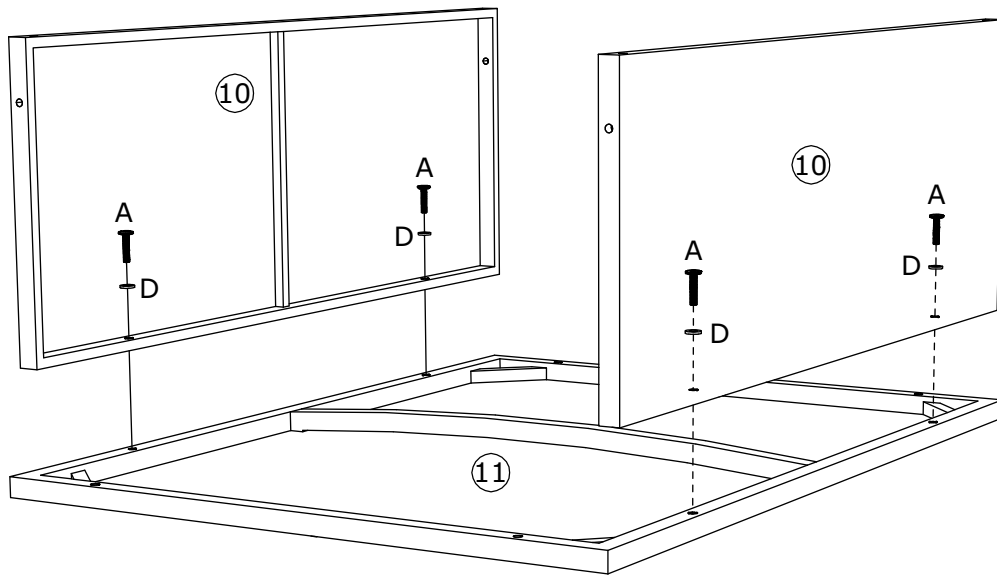
11



12



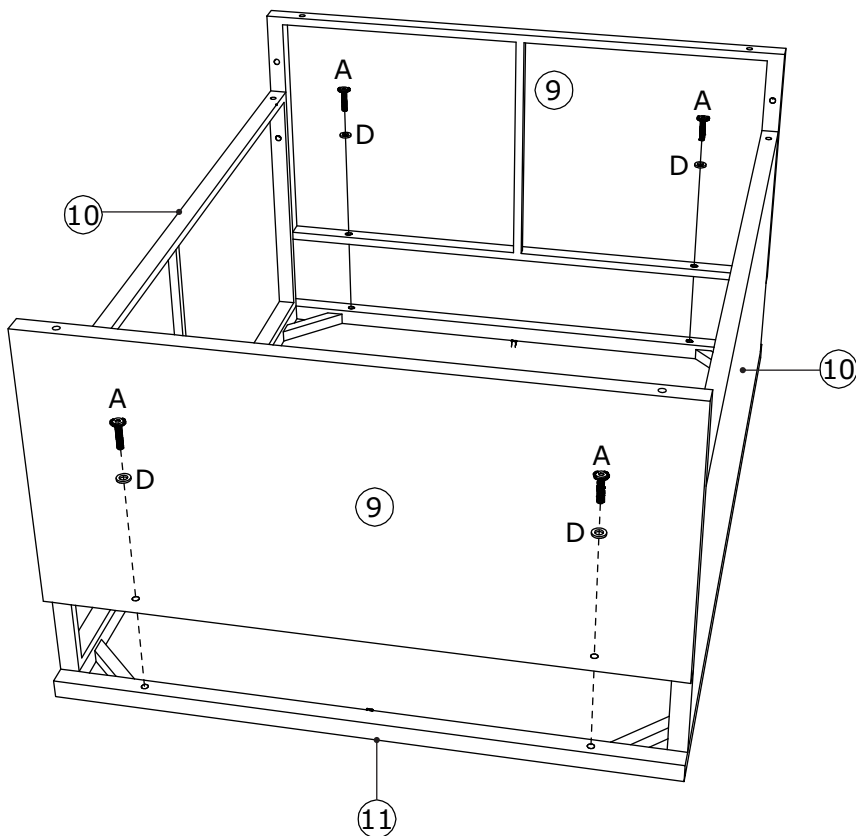
13



x2



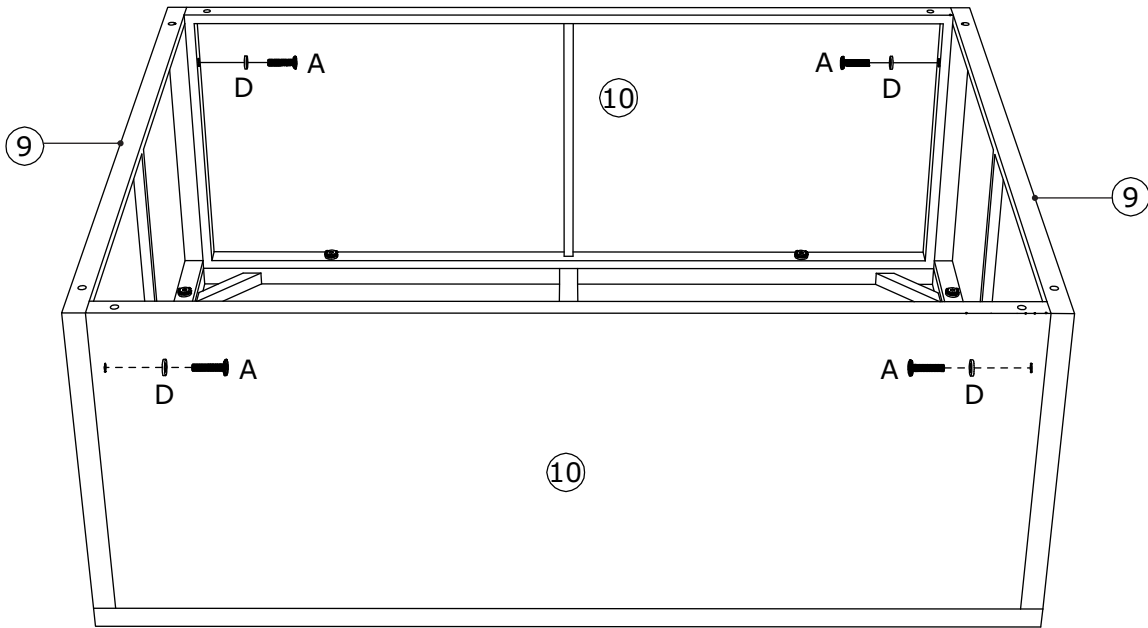
14



x2



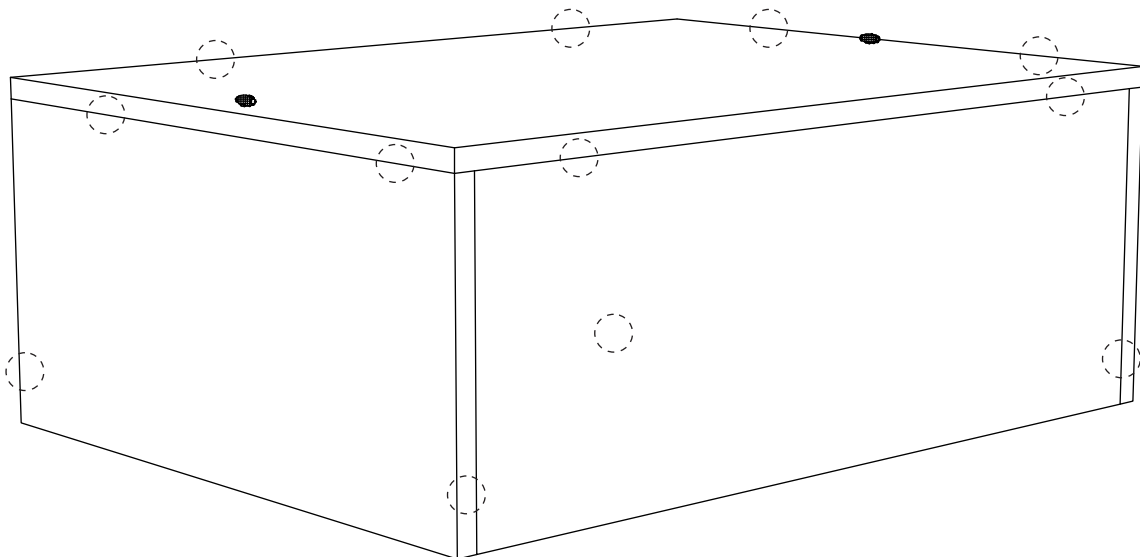
15



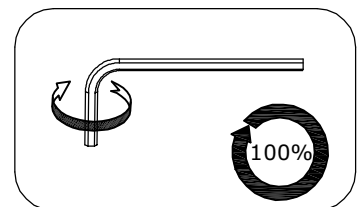
x2



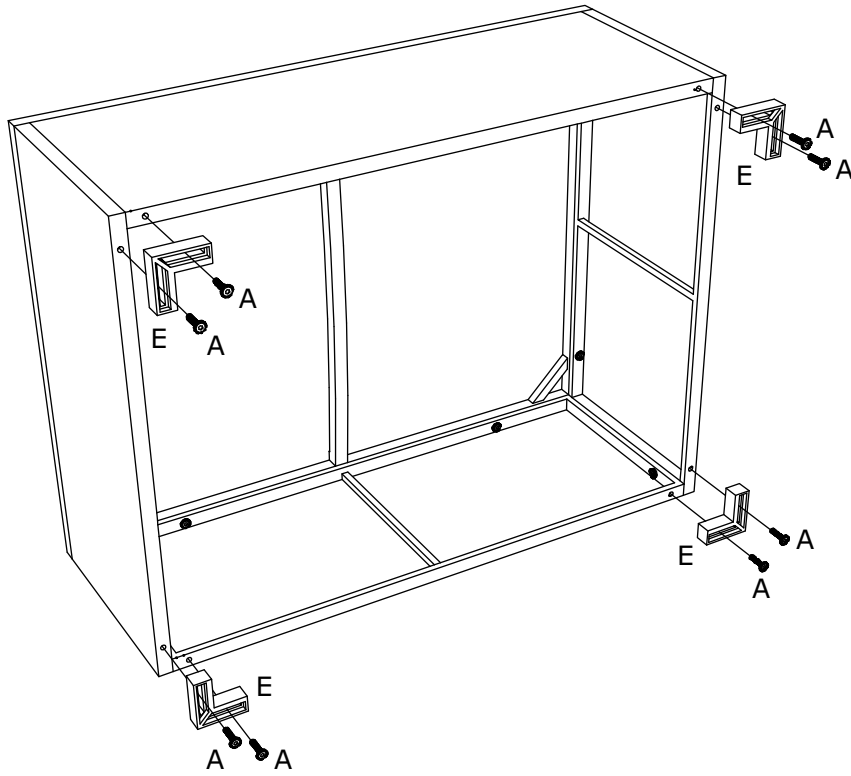
16



x2

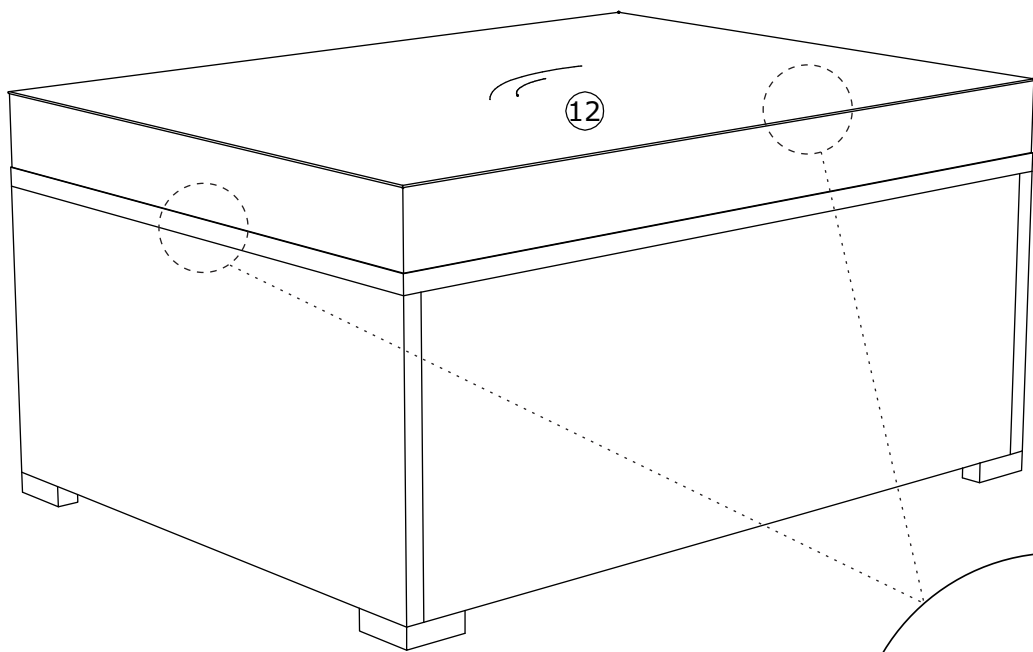


17

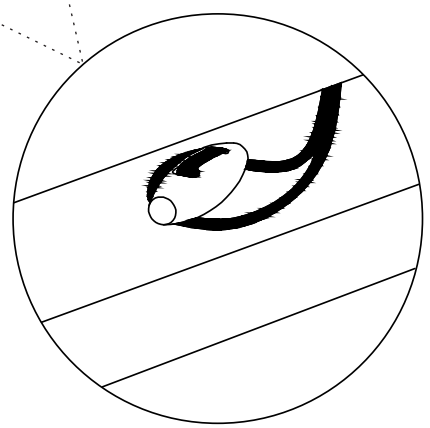


x2

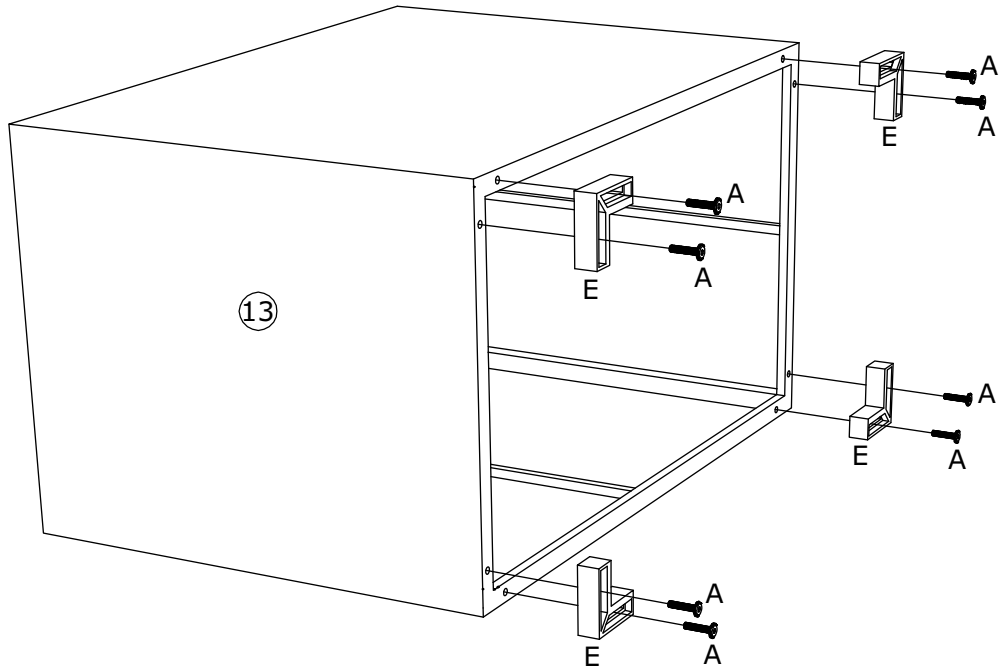
18



x2



19



20

